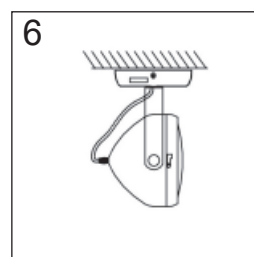
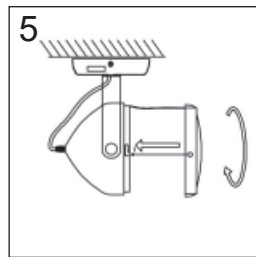
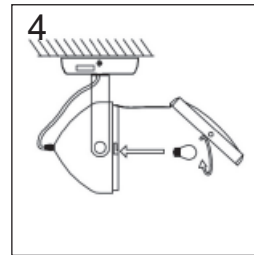
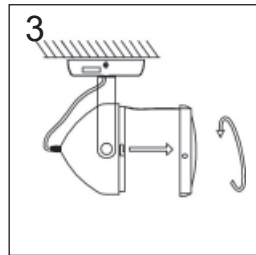
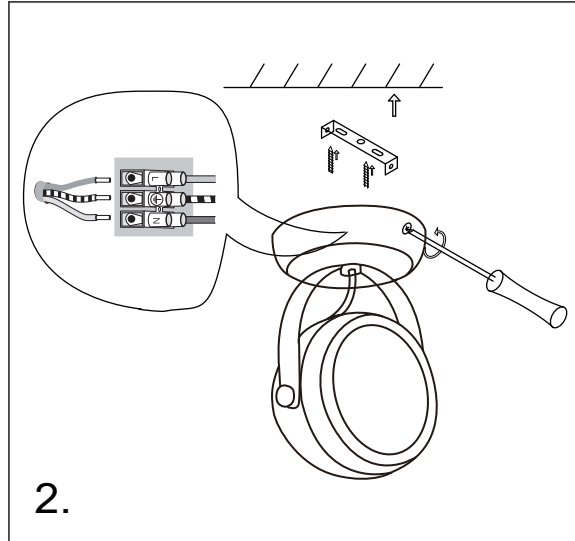
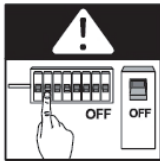


INSTRUCTION MANUAL



Biker CL 1
90090

1.



7.

