

MONTAGEANLEITUNG

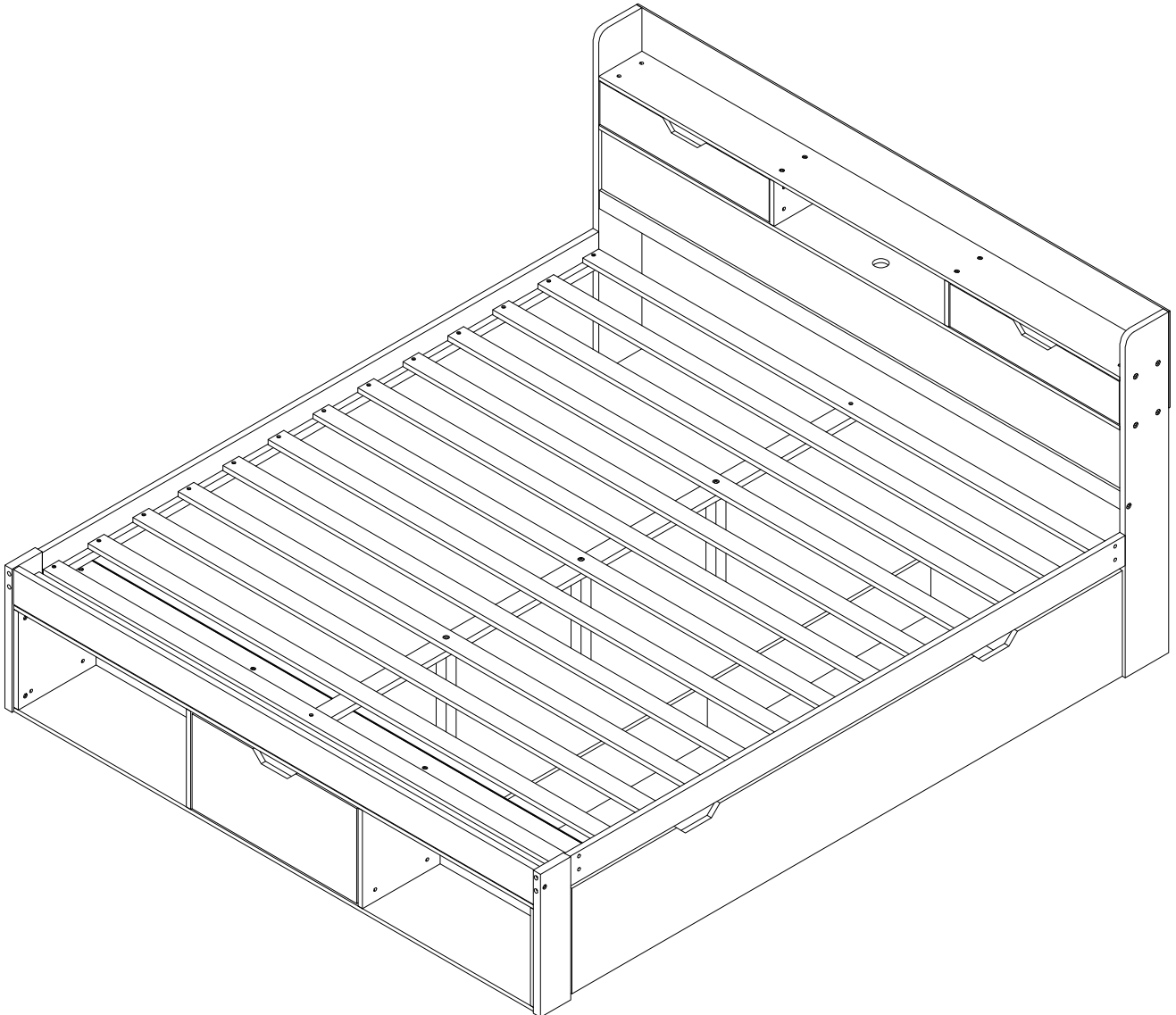
Artikelnummer: **WF532102**

WF532103

WF532104

Dieses Set ist in 3 Boxen enthalten. Wenn Sie keine vollen 3 Boxen erhalten, wenden Sie sich bitte an unseren Kundenservice

Bett 140x200



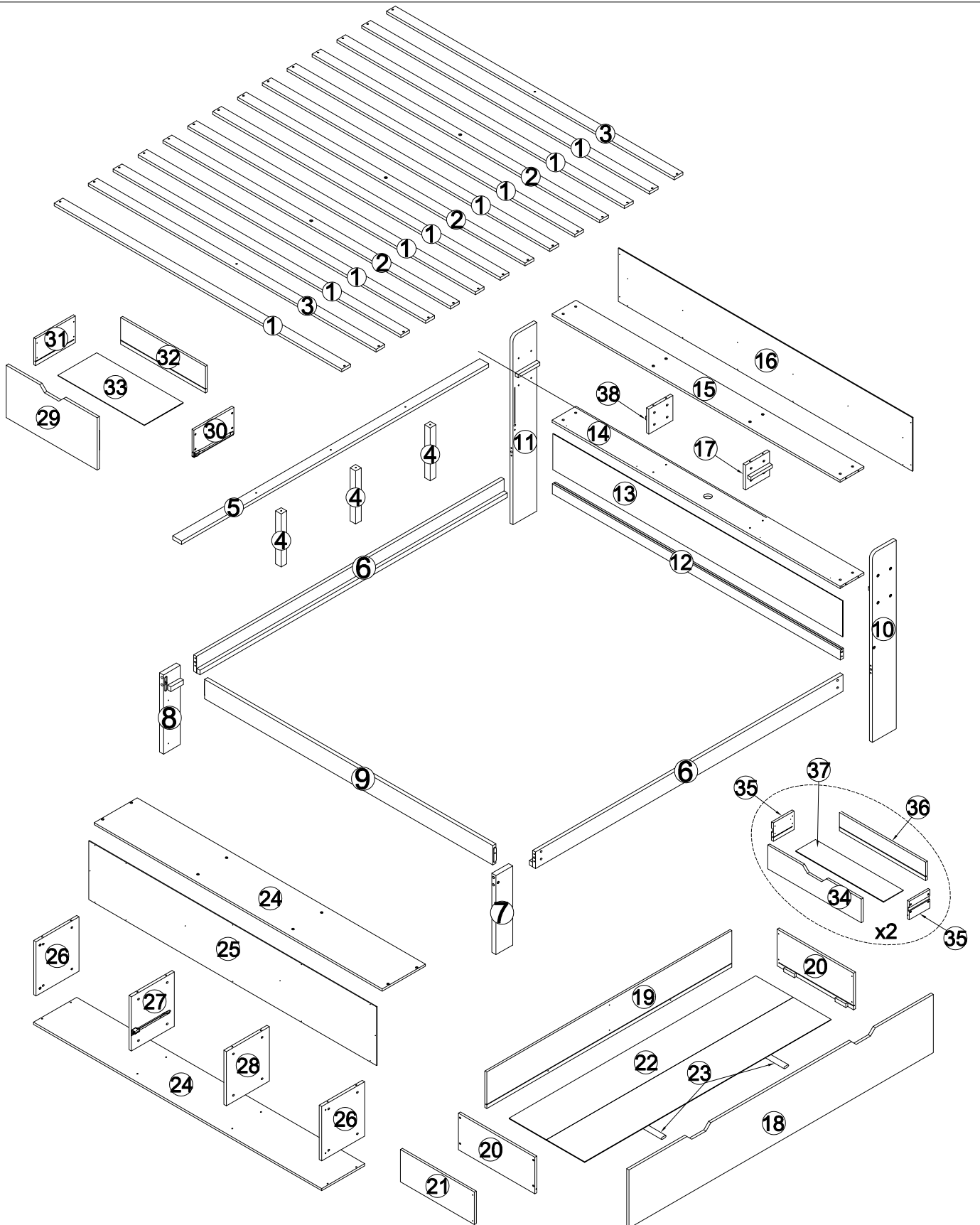
! SICHERHEITSWARNUNGEN !

1. Wir danken Ihnen für den einkauf! Wir haben daran gearbeitet, Ihnen Produkte mit hoher Qualität anzubieten. Im seltenen Fall, dass Ihr Produkt beschädigt ist, Teile fehlen oder Sie auf Probleme bei der Montage stoßen, wenden Sie sich damit bitte an unseren Kundendienst, um die fehlendes Teile, die Montagevorschläge und die Garantieansprüche zu erreichen. Wir werden Ihnen die beste Lösung schnellstmöglich anbieten. Um Ihr Problem schneller zu lösen bitte stellen Sie uns einige Bilder zur Verfügung, die das Produktproblem deutlich widerspiegeln können. Vielen Dank!
2. Setzen Sie die Schrauben vor Abschluss der Montage in die Löcher ein, ziehen Sie die Schrauben fest, aber nicht zu 100% festziehen.70% sind in Ordnung. Schließlich, wenn es kein Problem mit der Montage gibt, dann ziehen Sie alle Schrauben zu 100% fest. Wenn Sie diese Probleme auftreten
Z.B. falls die Löcher nicht ausgerichtet werden können oder einige Teile nicht installiert werden können, überprüfen Sie bitte die Schrauben und bitte stellen Sie die Dichtheit der Schrauben ein.
3. 2 Personen werden empfohlen, die Installation durchzuführen.

! SAFETY WARNINGS !

1. Please read the instructions fully before assembly. These instructions include important information which could ensure correct assembly. We have been working on providing high quality products for you. However, in the rare instance that your product is defective, missing parts or there are some issues, please don't hesitate to contact our customer service to submit parts requirements, assembly suggestion, or warranty claims, and we will give the best solution as soon as possible. If necessary, we need you to provide some more clear pictures of the issue.
2. Insert the screws in holes and tighten the screws, but not too tight, 70% is ok, finally tighten all the screws. If some issues happened that some screws can not target to the hole or some parts are difficult to install, please adjust the tightness of the screws.
3. 2 people are recommended to finish.

Stückliste



WF532102(Stückliste Und Hardware-Liste)

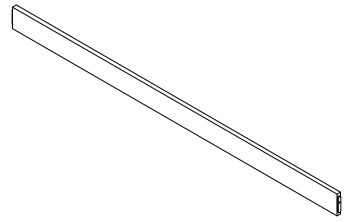
7 x 1



8 x 1



9 x 1



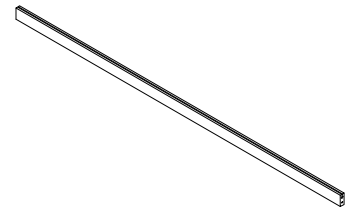
10 x 1



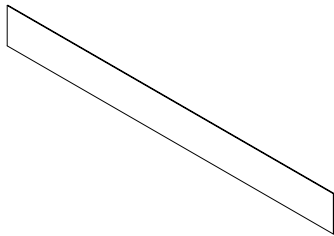
11 x 1



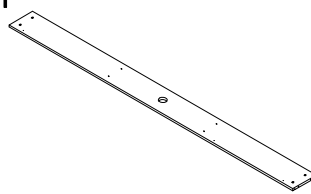
12 x 1



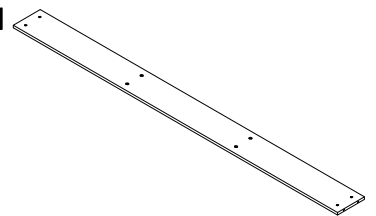
13 x 1



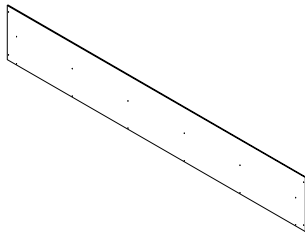
14 x 1



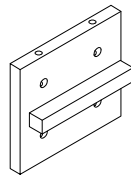
15 x 1



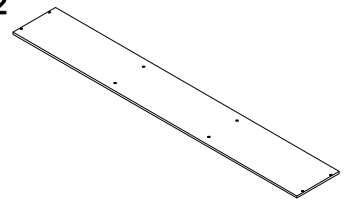
16 x 1



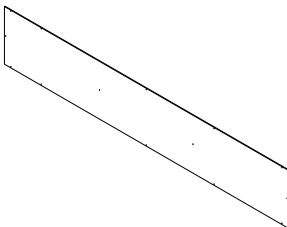
17 x 1



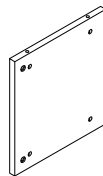
24 x 2



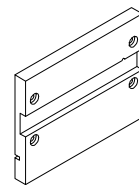
25 x 1



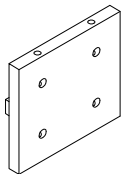
26 x 2



35 x 4

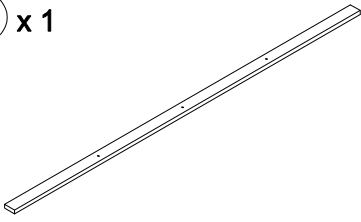


38 x 1

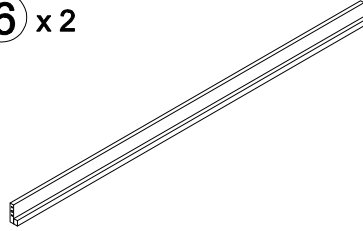


WF532103

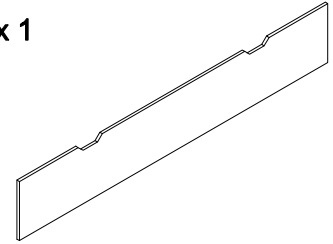
5 x 1



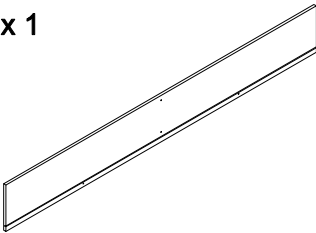
6 x 2



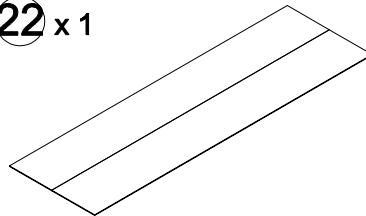
18 x 1



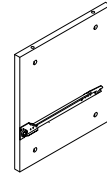
19 x 1



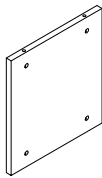
22 x 1



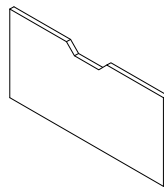
27 x 1



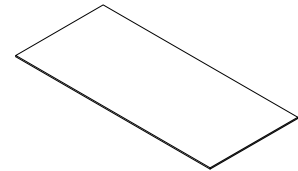
28 x 1



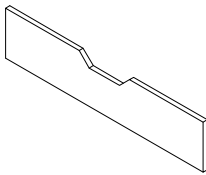
29 x 1



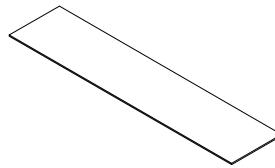
33 x 1



34 x 2

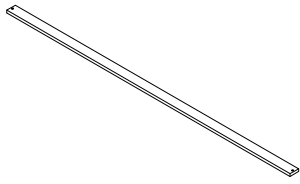


37 x 2

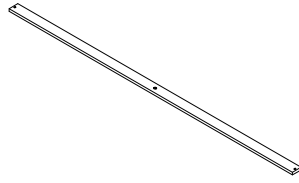


WF532104

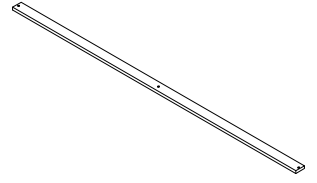
① x 9



② x 3



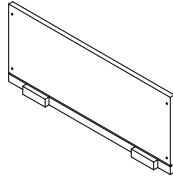
③ x 2



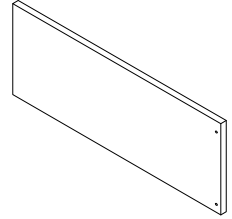
④ x 3



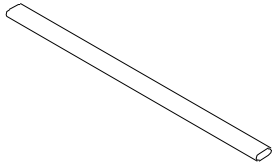
②① x 2



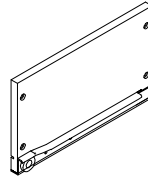
②① x 1



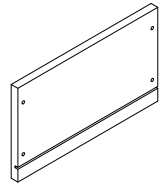
②③ x 2



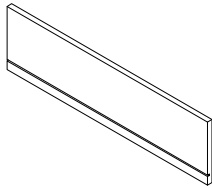
③① x 1



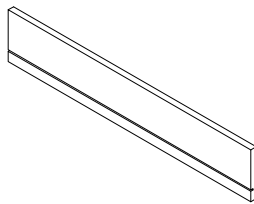
③① x 1



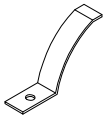
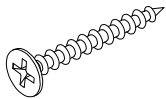
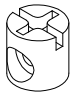
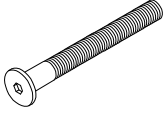
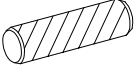
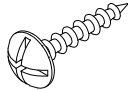
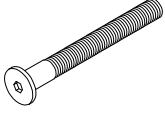
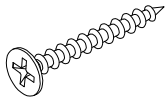
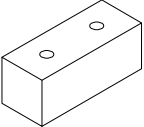
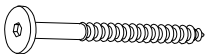
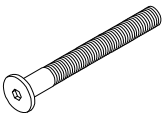
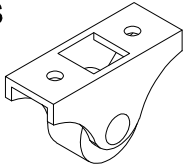


③② x 1

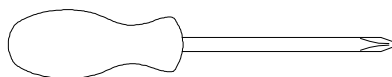


③⑥ x 2



Hardware-Liste(WF532102)

<p>A x 4PCS</p>  <p>Stop Drawer(Plastic)</p>	<p>B x 4PCS</p>  <p>Ø3.5 x 12 mm Wood Screws</p>	<p>C x 44PCS</p>  <p>M6 x 13 mm</p>
<p>D x 36PCS</p>  <p>Bolt M6 x 60mm</p>	<p>E x 6PCS</p>  <p>Ø10 x 40 mm Wood dowel</p>	<p>F x 38PCS</p>  <p>M4 x 15 mm Wood Screws</p>
<p>G x 8PCS</p>  <p>Bolt M6 x 120mm</p>	<p>H x 72PCS</p>  <p>M4 x 30 mm Wood Screws</p>	<p>K x 2PCS</p>  <p>Stop Drawer 50x20x20</p>
<p>L x 4PCS</p>  <p>Screws Ø6x30mm</p>	<p>M x 3PCS</p>  <p>Bolt M6 x 50mm</p>	<p>N x 4PCS</p>  <p>Wheels (H=28mm)</p>
<p>P x 1PC</p>  <p>USB Power</p>	<p>Q x 1PC</p>  <p>Allen Key</p>	


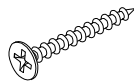


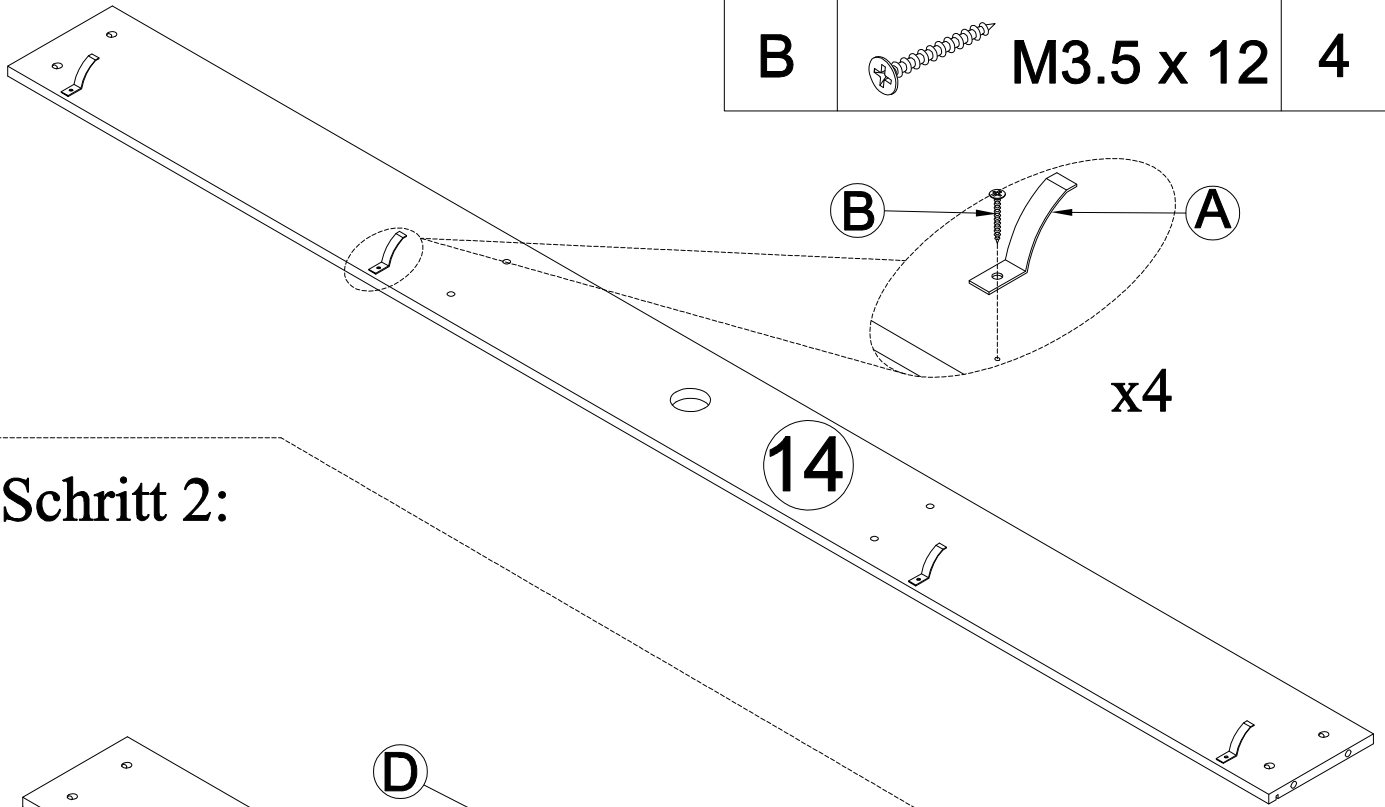
Assembly Tools Required (Not Included)

Wichtiger Hinweis:


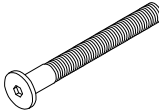
Bestätigen Sie bitte alle Komponenten und Schrauben vor der Montage. Bitte wenden Sie sich an uns, falls einige Teile oder Schrauben im Paket fehlt sind.

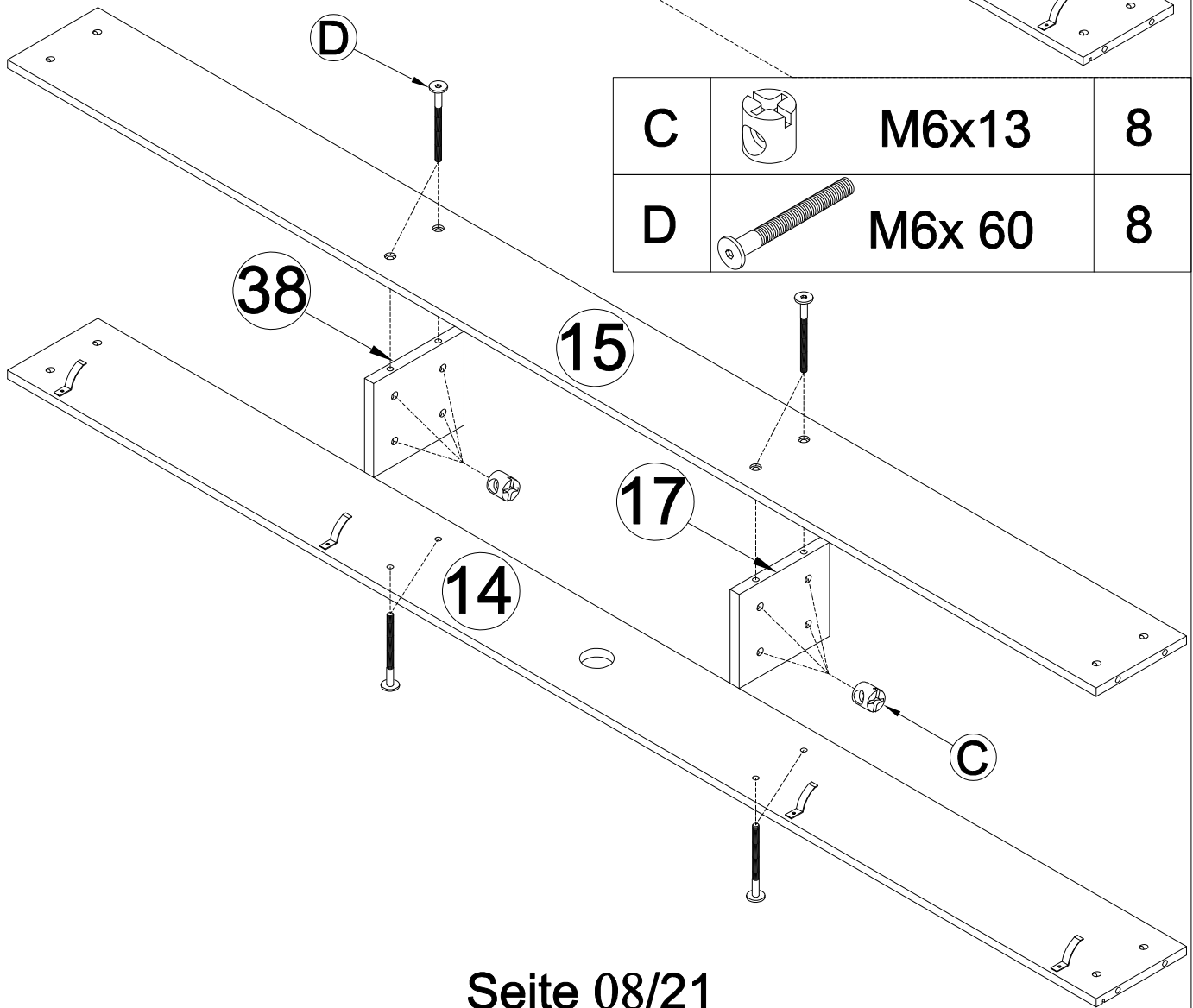
Schritt 1:

A	 Stop Drawer	4
B	 M3.5 x 12	4


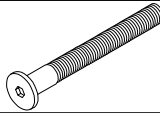
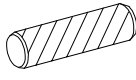


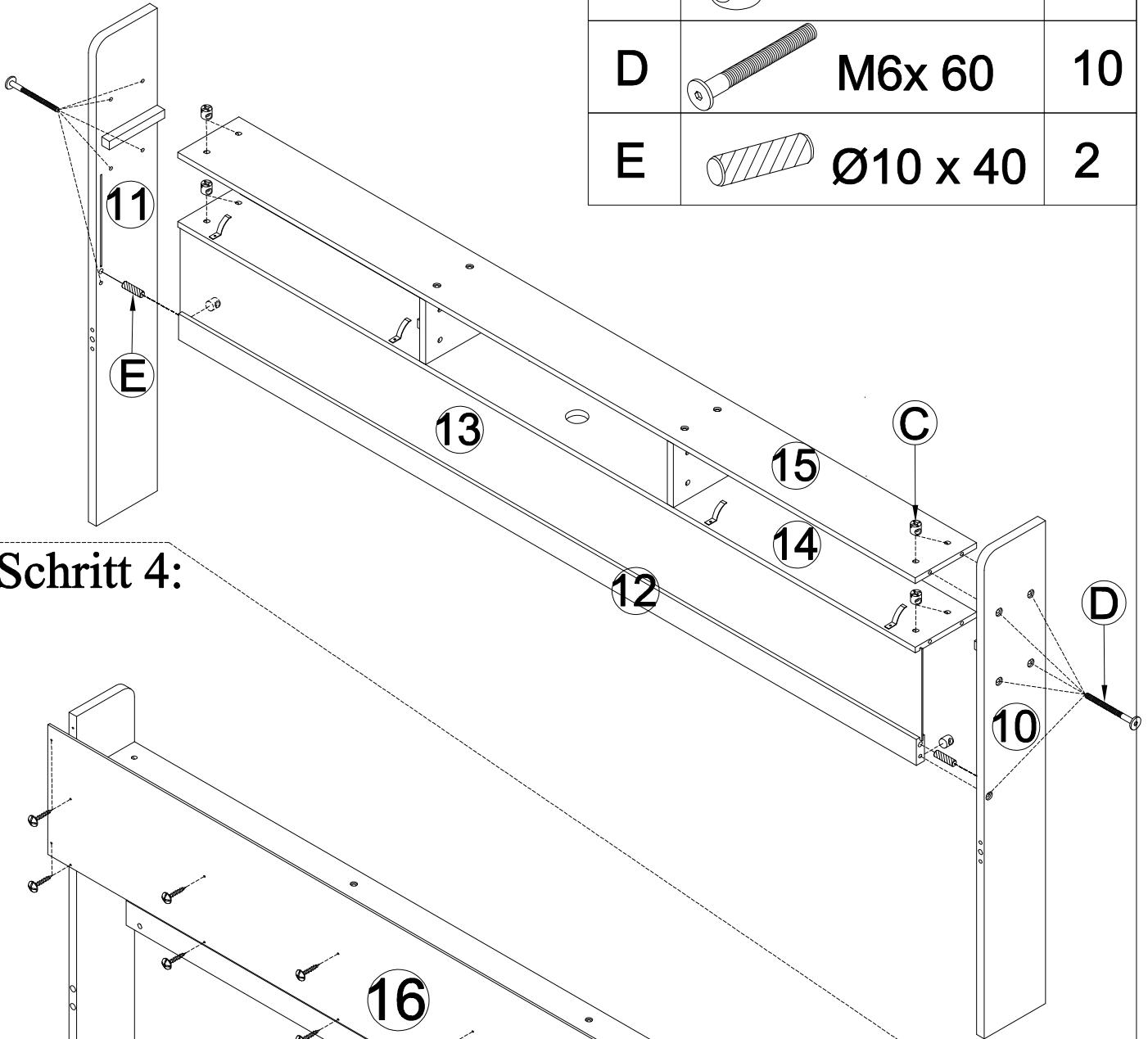
Schritt 2:

C	 M6x13	8
D	 M6x 60	8

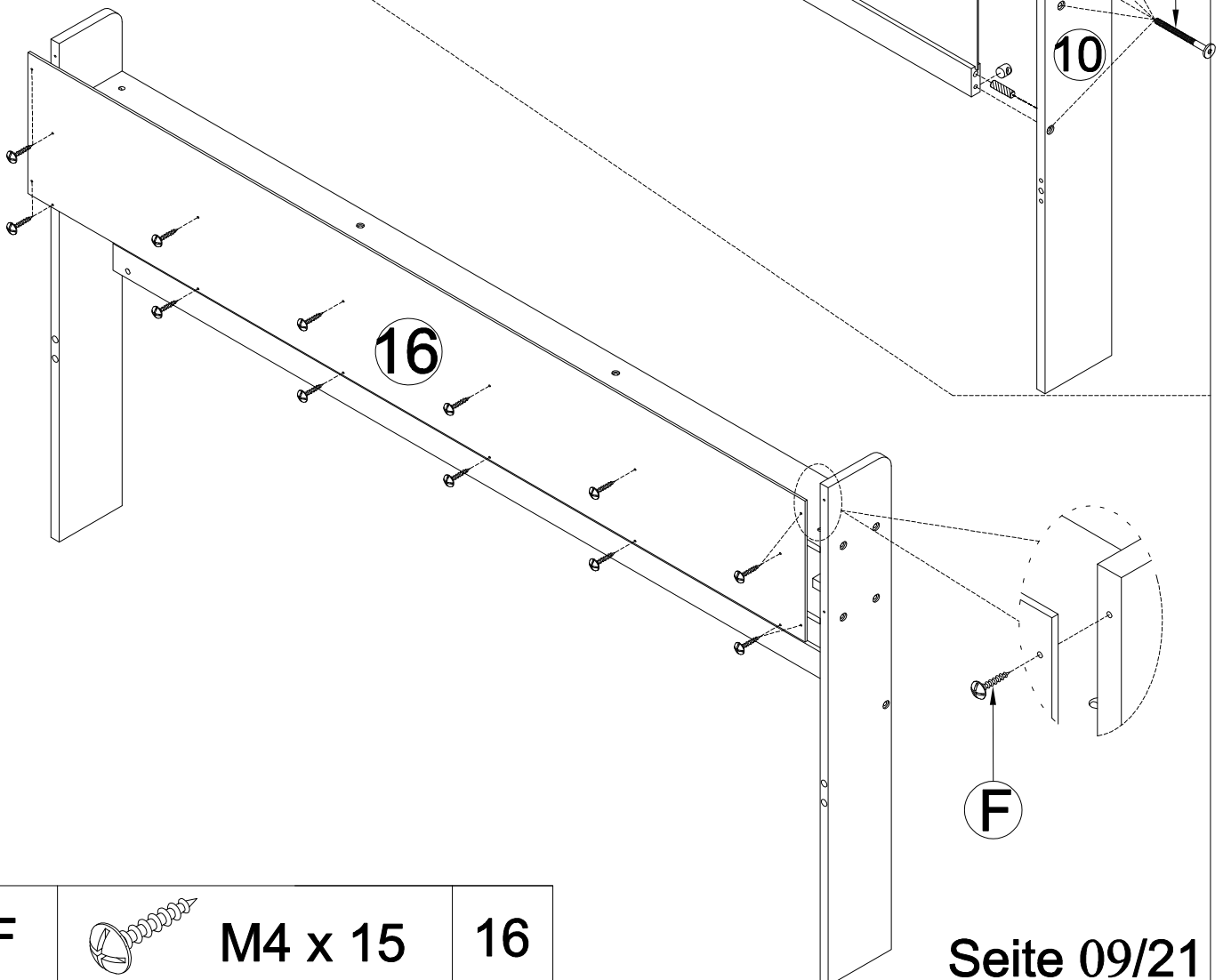


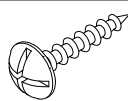
Schritt 3:

C		M6x13	10
D		M6x 60	10
E		Ø10 x 40	2


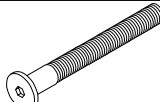


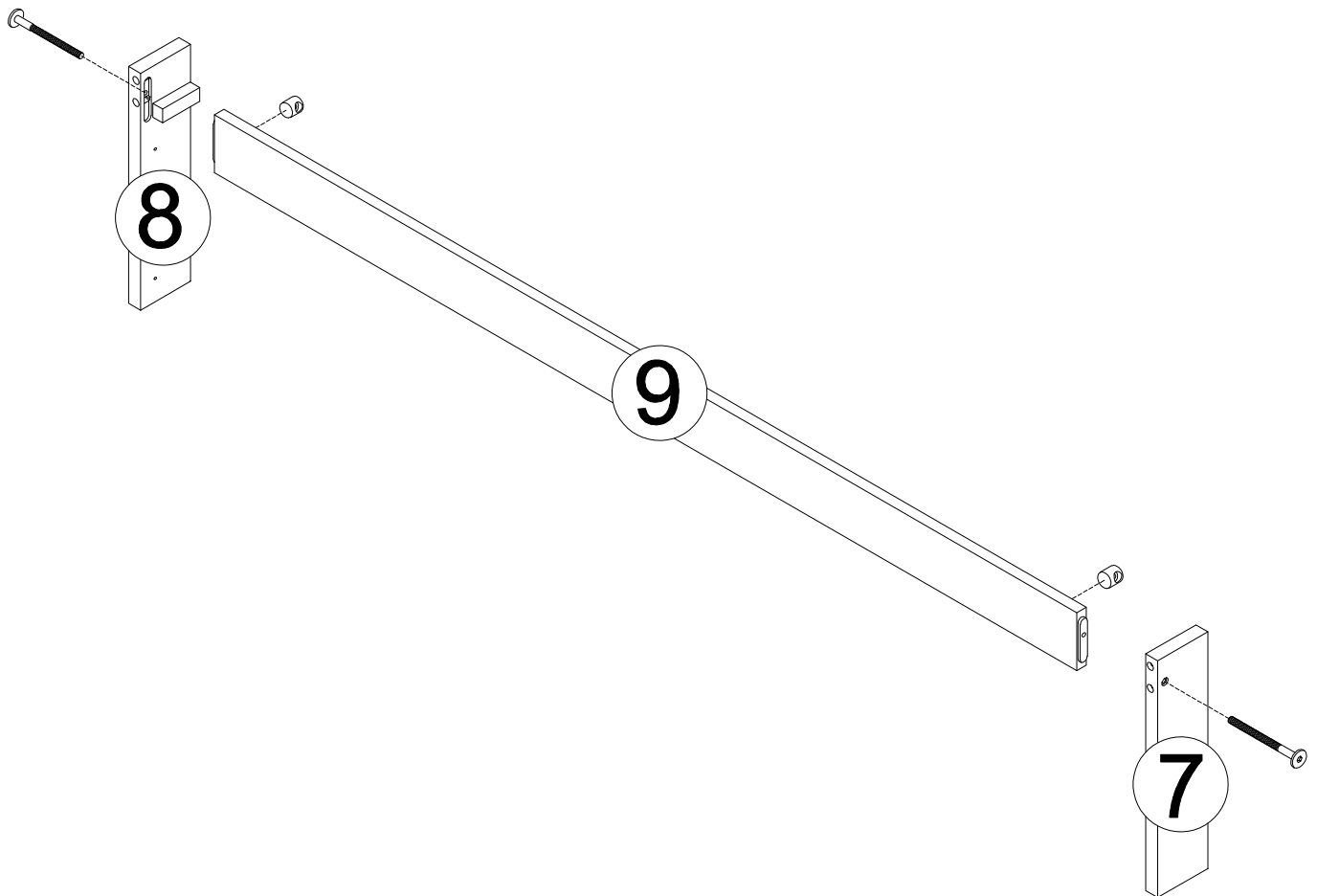
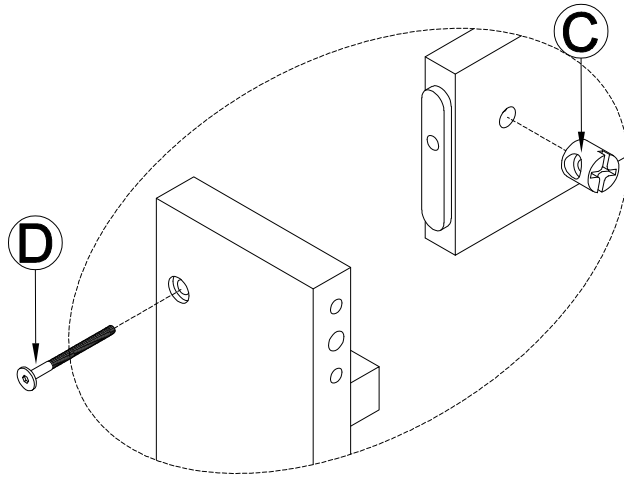
Schritt 4:

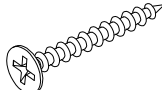

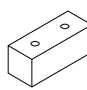
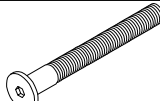
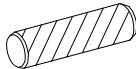


F		M4 x 15	16
---	---	---------	----

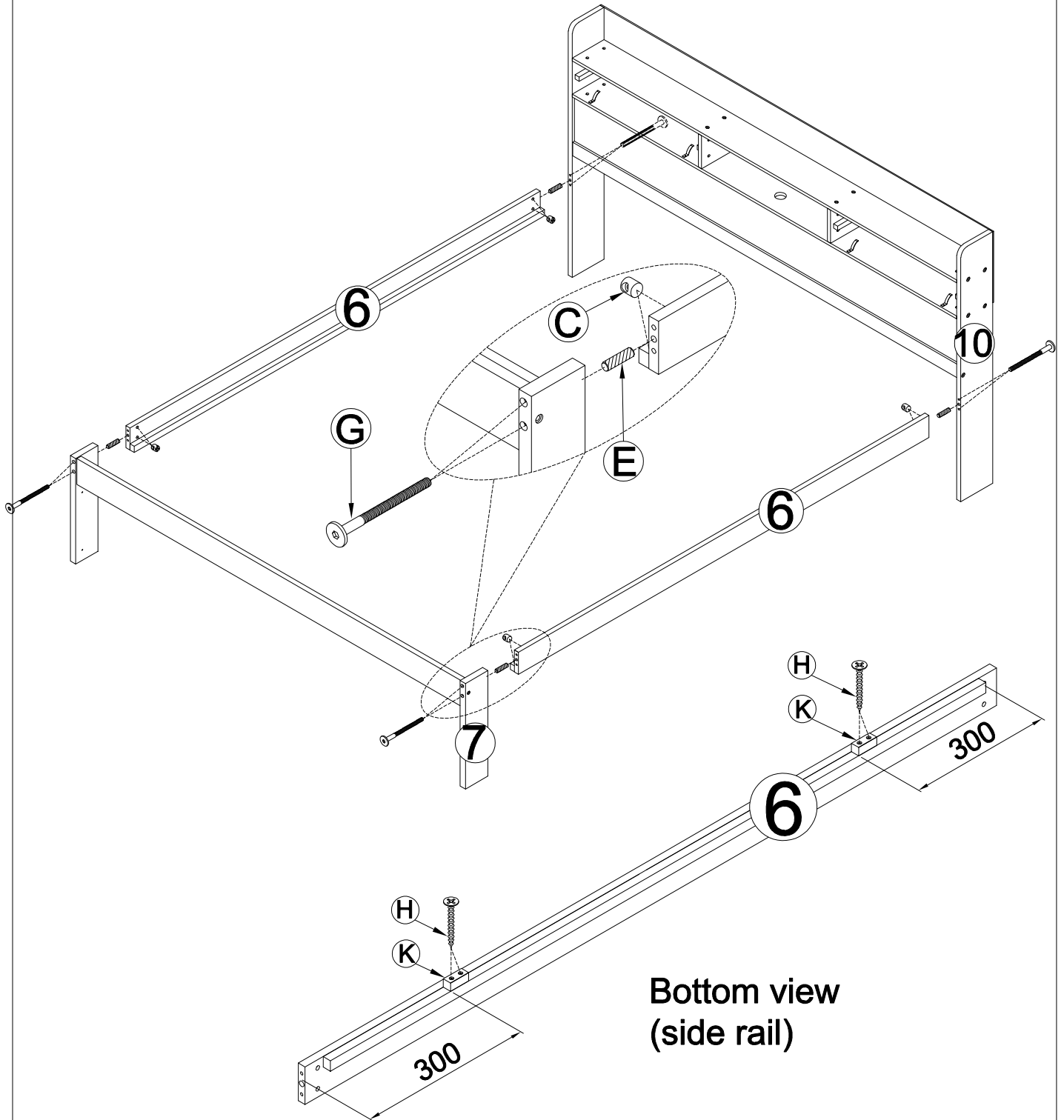
Schritt 5:

C		M6x13	2
D		M6x60	2




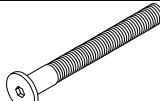
H		M4 x 30	4	C		M6x13	8
K		50x20x20	2	G		M6x 60	8
				E		Ø10 x 40	4

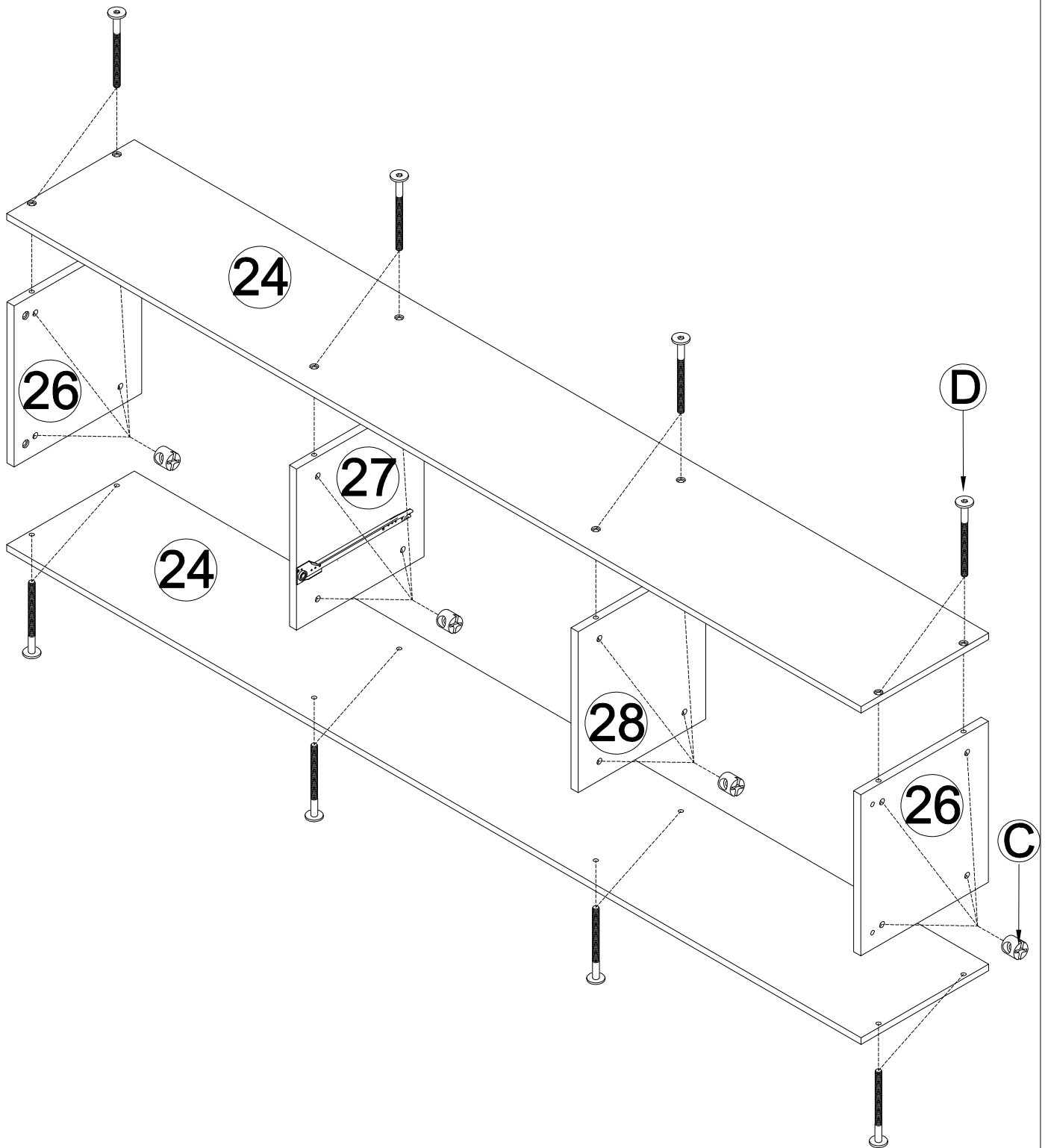
Schritt 6:



Bottom view
(side rail)

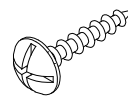
Schritt 7:

C		M6x13	16
D		M6x 60	16



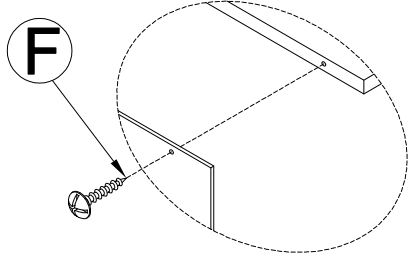
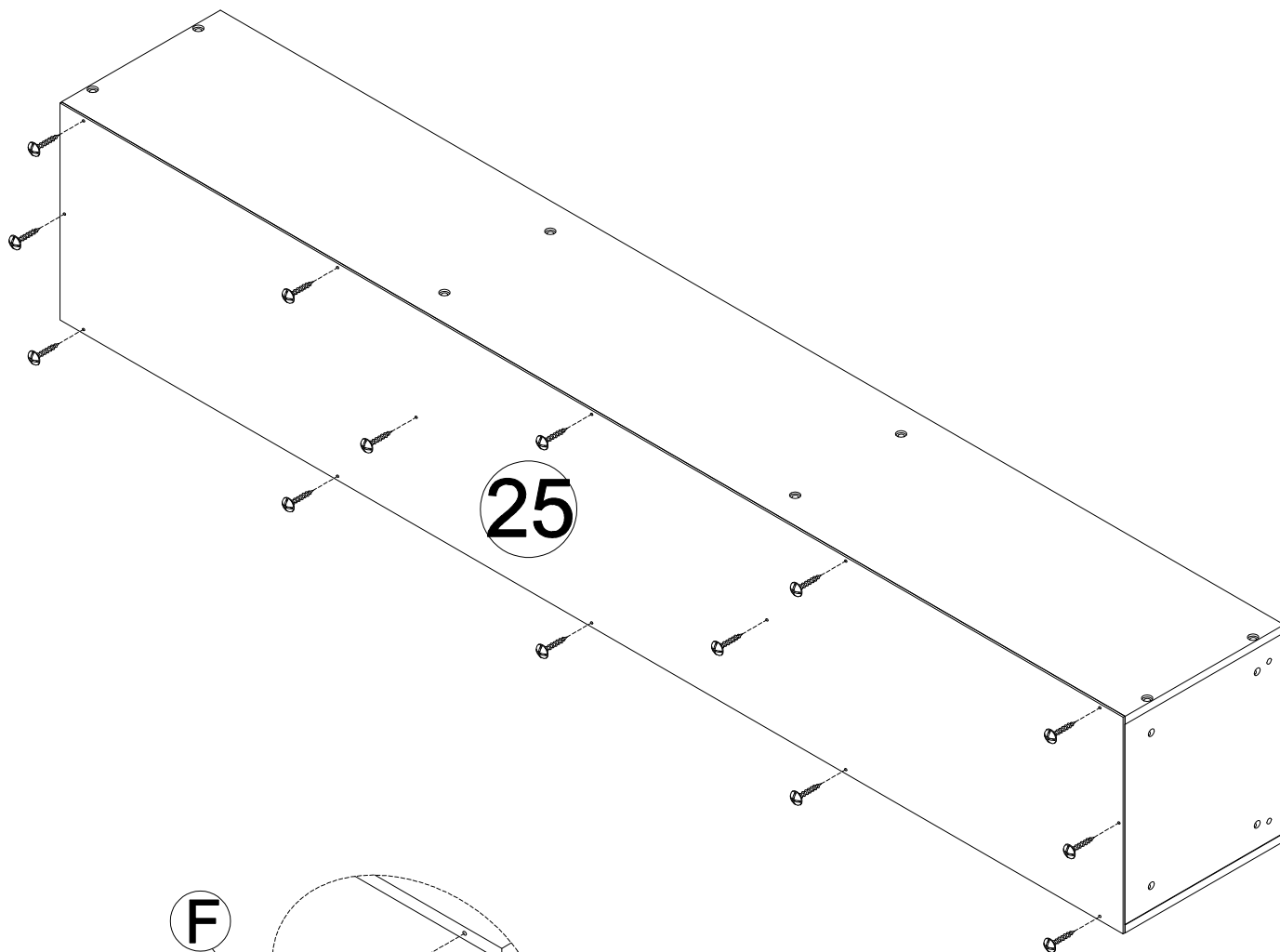
Schritt 8:

F



M4 x 15

14

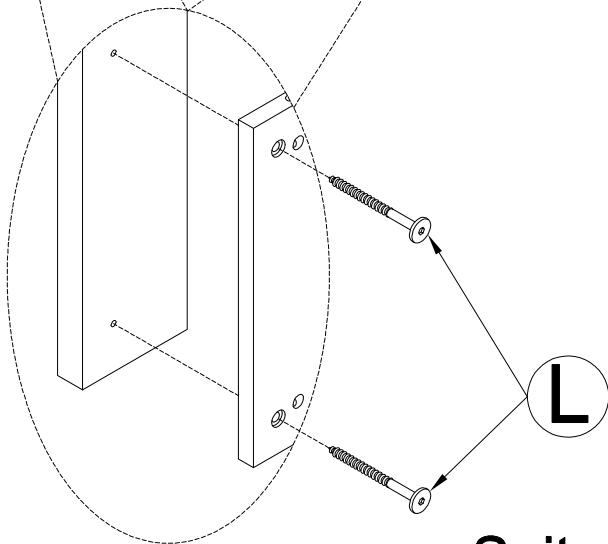
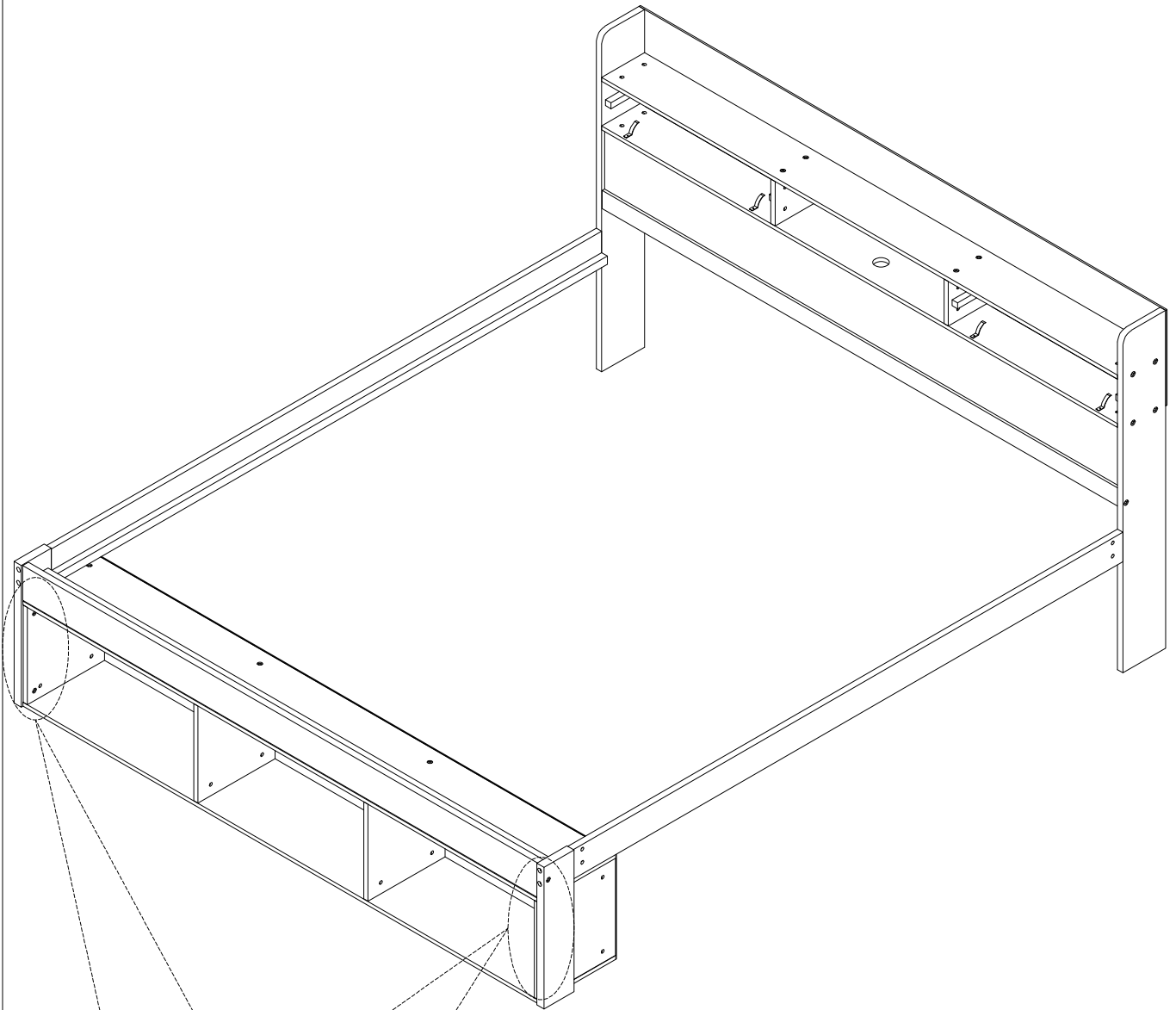


Schritt 9:

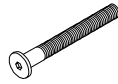
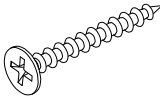
L

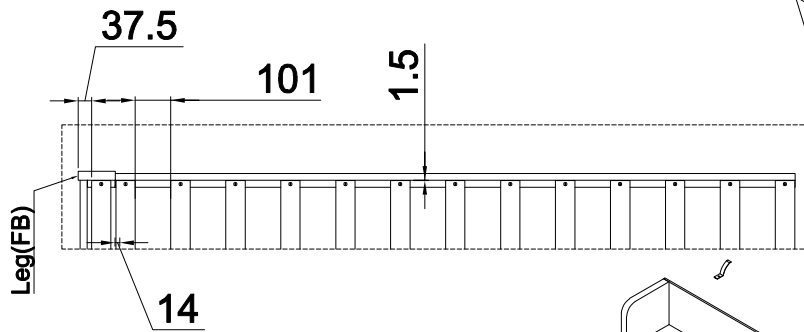
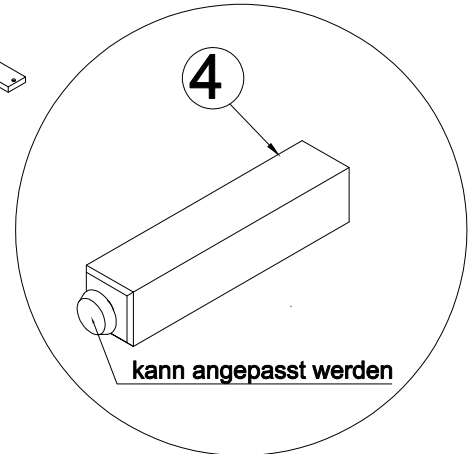
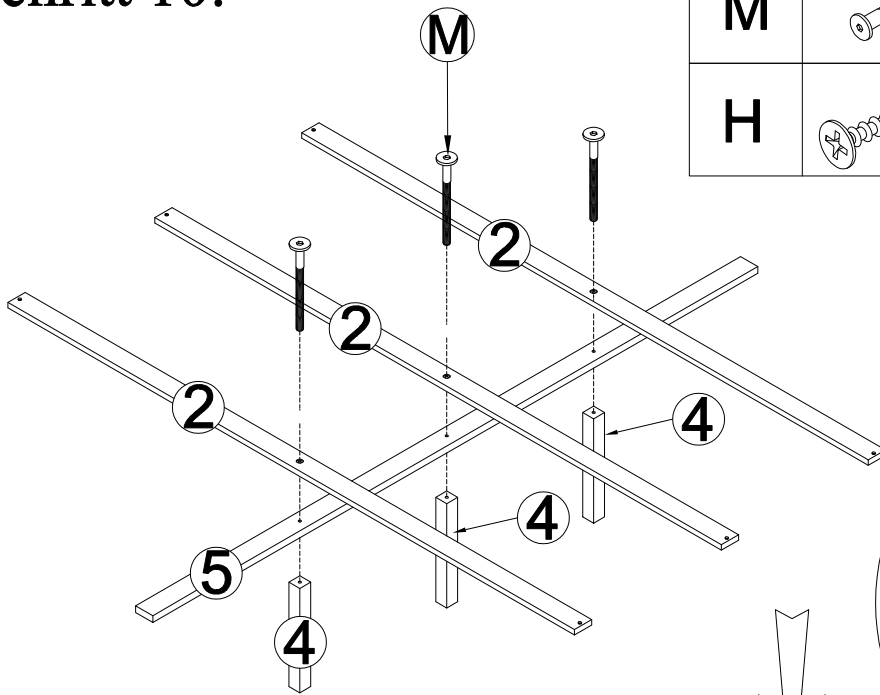
 Ø6x30

4

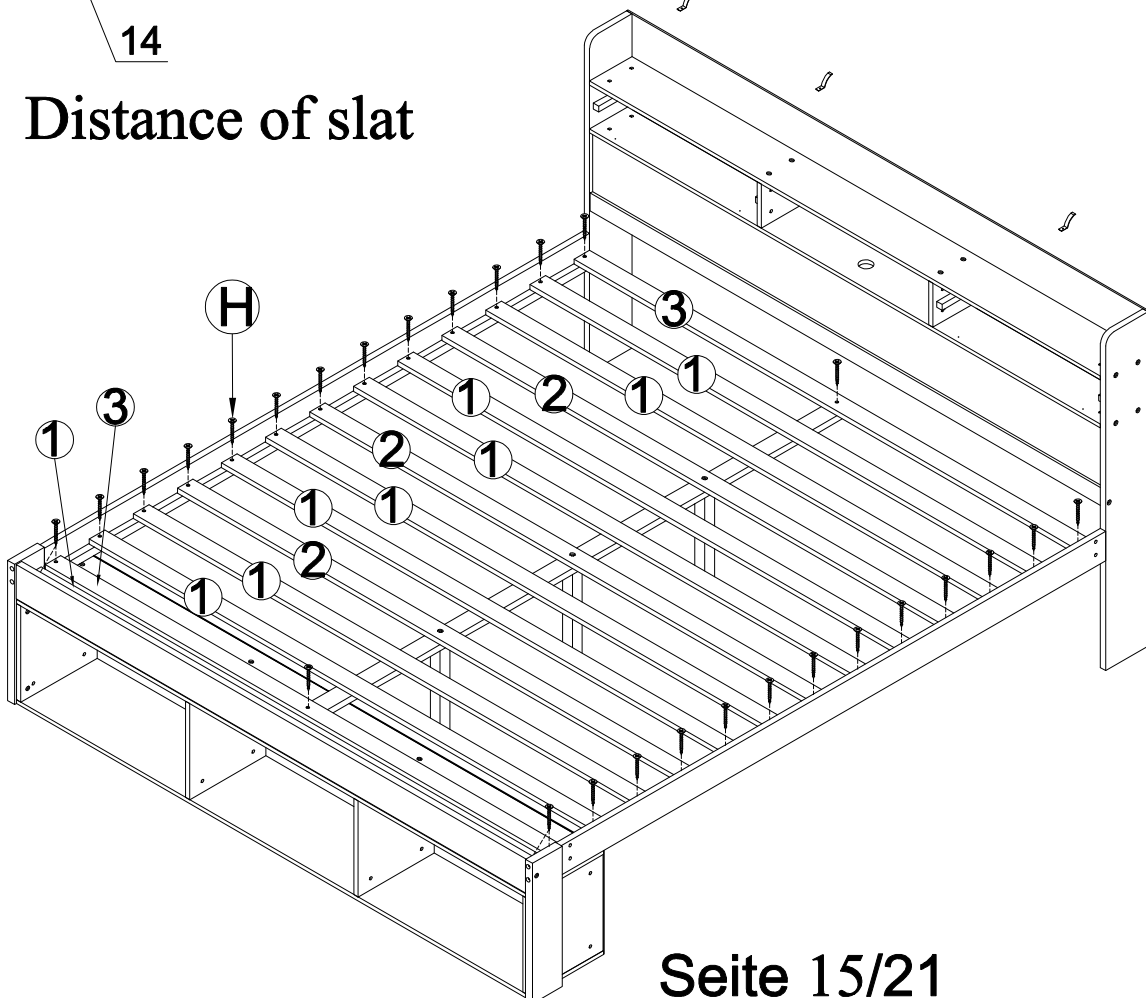


Schritt 10:

M		M6x50	3
H		M4 x 30	30

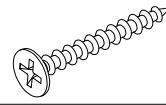


Distance of slat



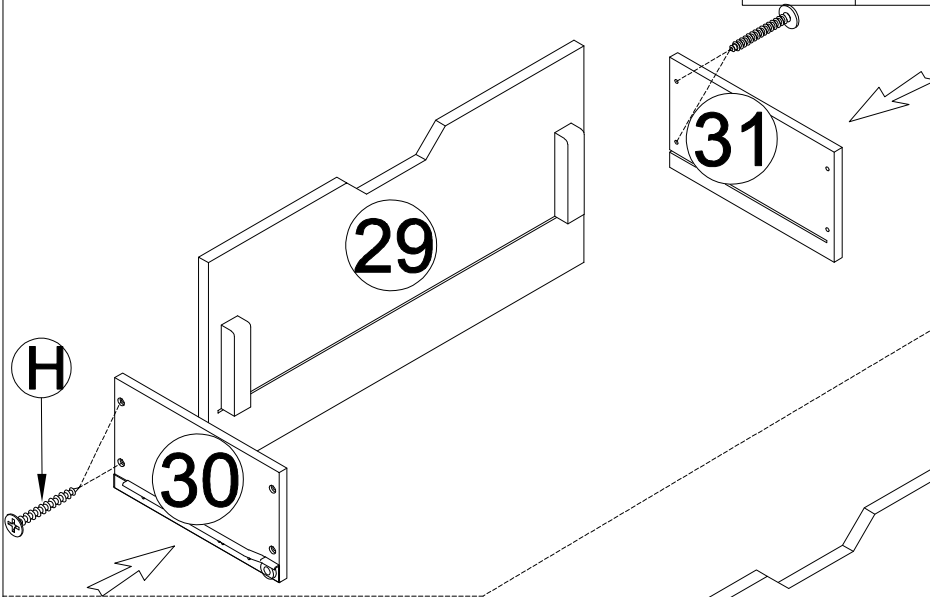
Schritt 11-1:

H

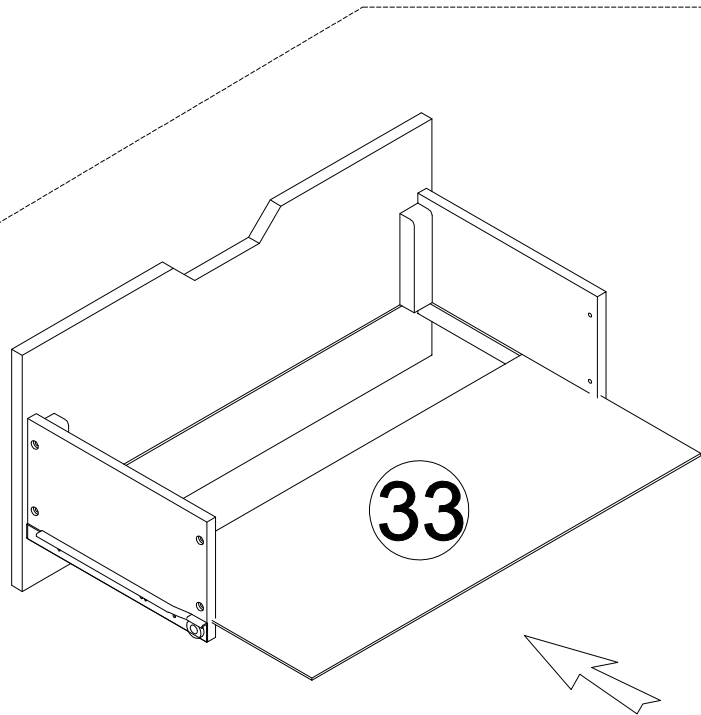


M4 x 30

4

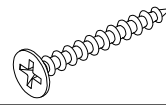


Schritt 11-2:



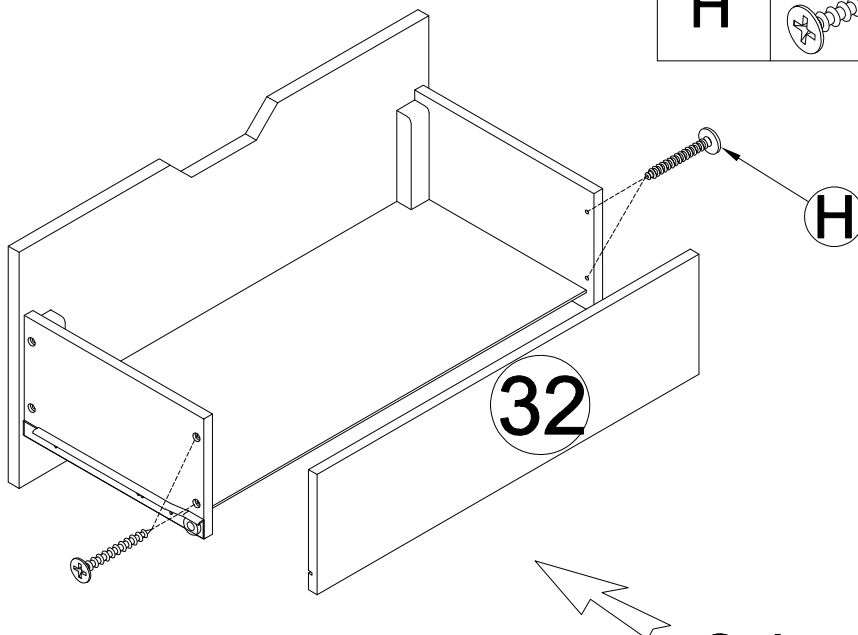
Schritt 11-3:

H



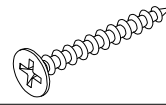
M4 x 30

4



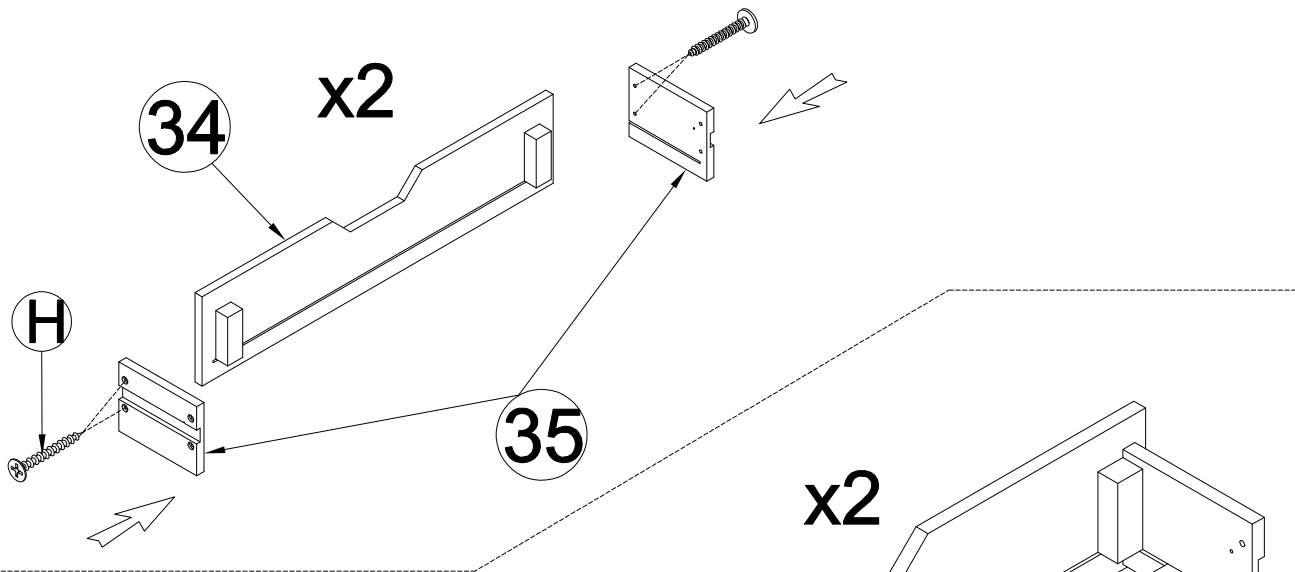
Schritt 12-1:

H

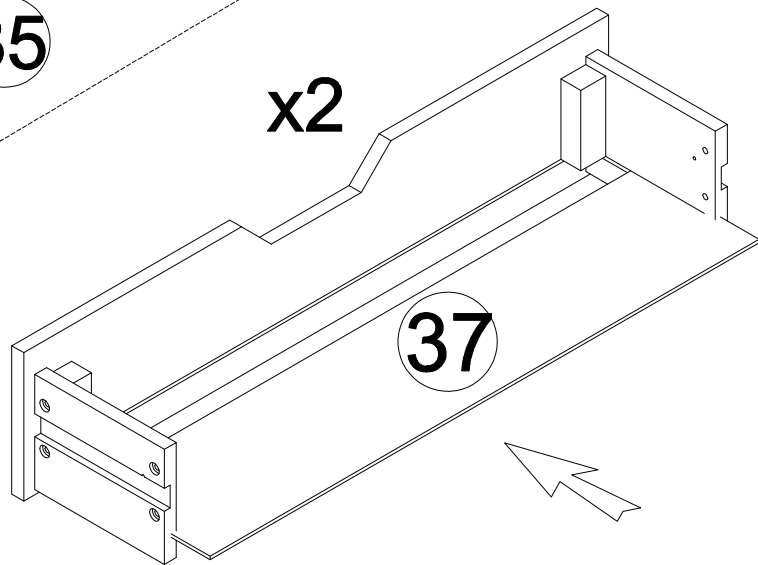


M4 x 30

8

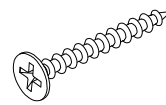


Schritt 12-2:



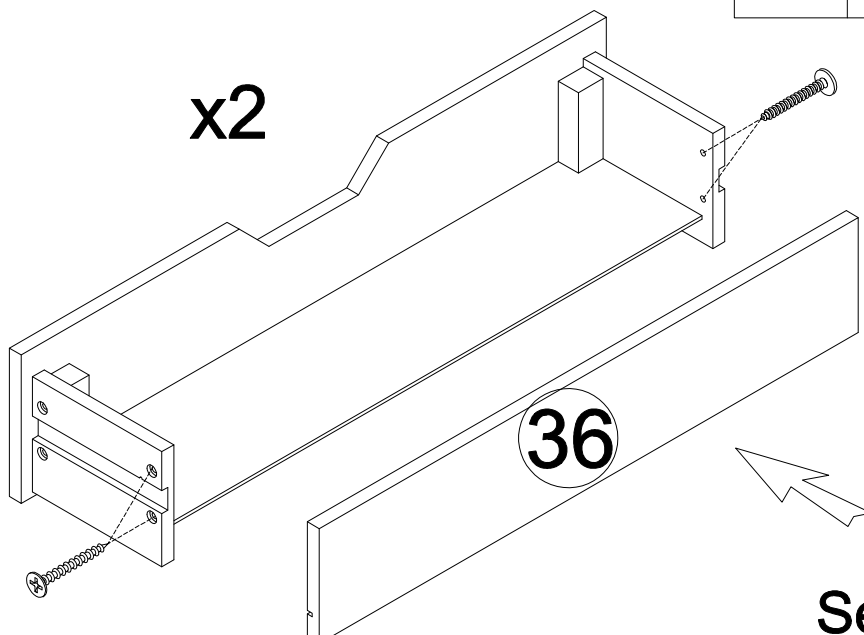
Schritt 12-3:

H



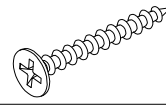
M4 x 30

8



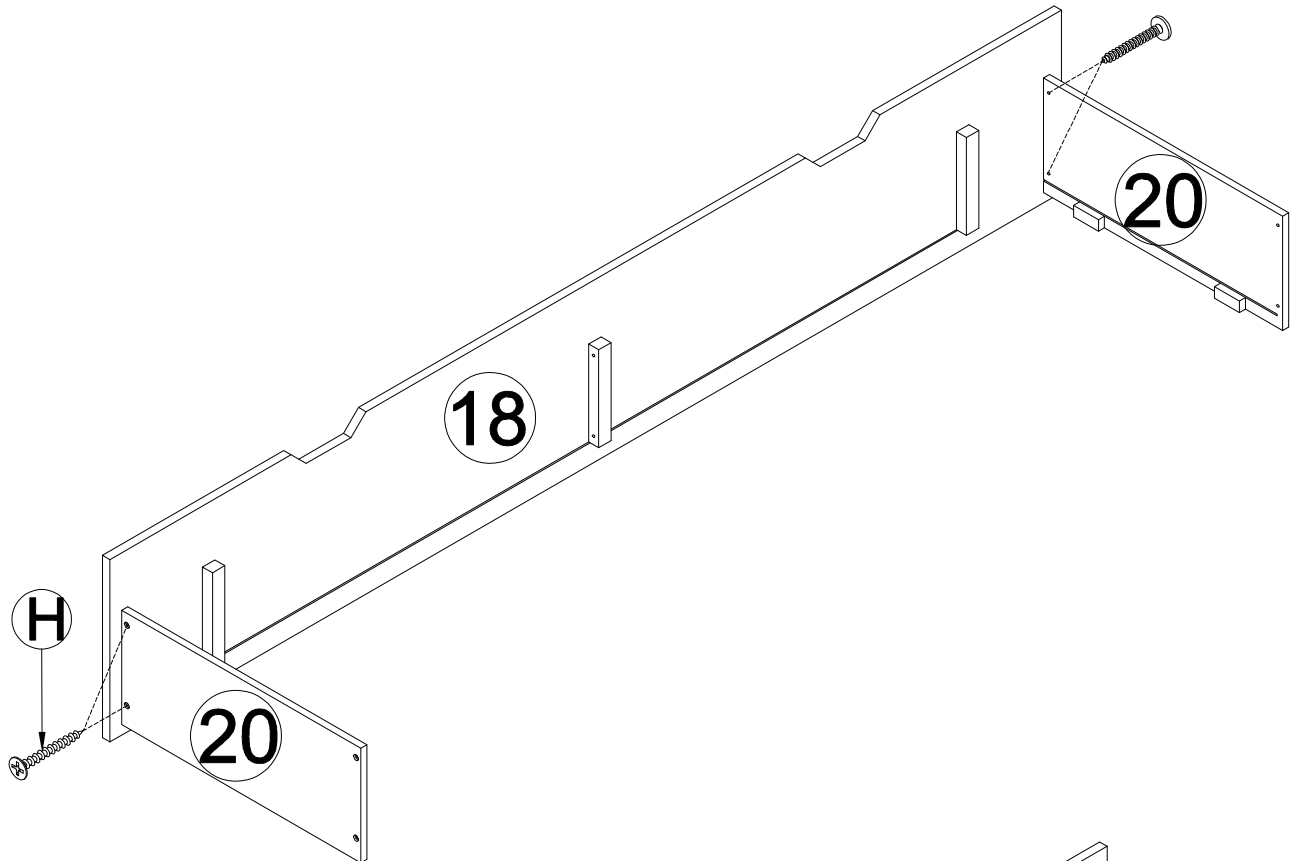
Schritt 13-1:

H

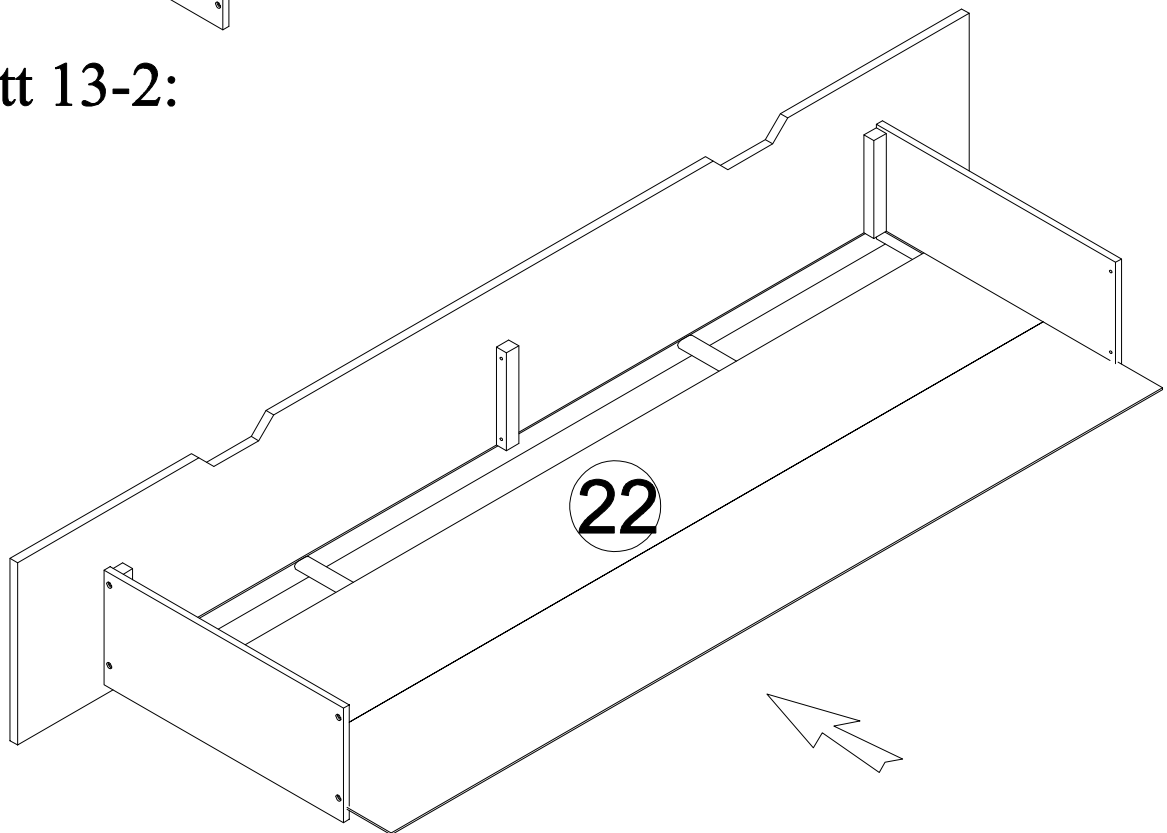


M4 x 30

4

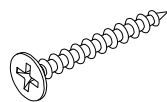


Schritt 13-2:



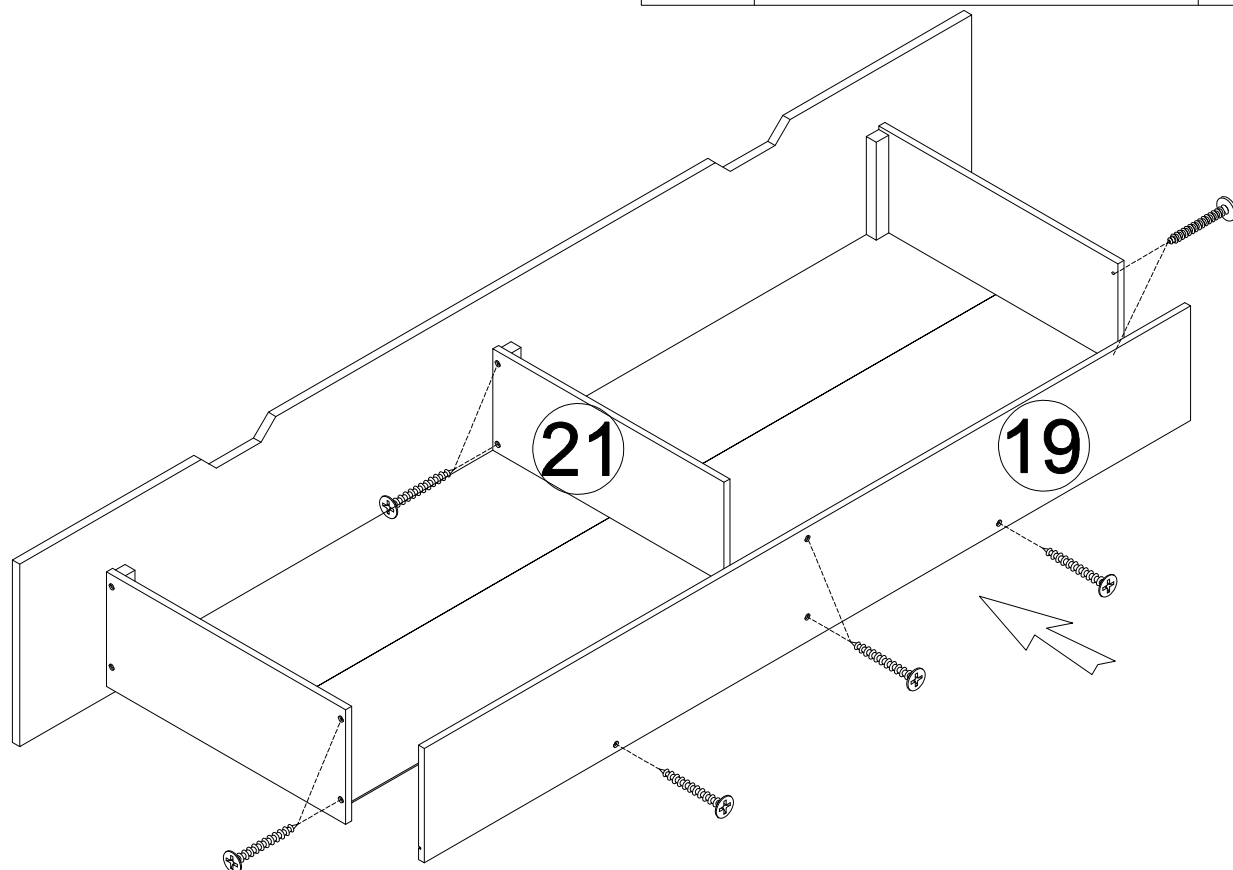
Schritt 13-3:

H



M4 x 30

10



Schritt 13-4:

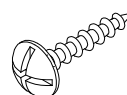
N



H=28

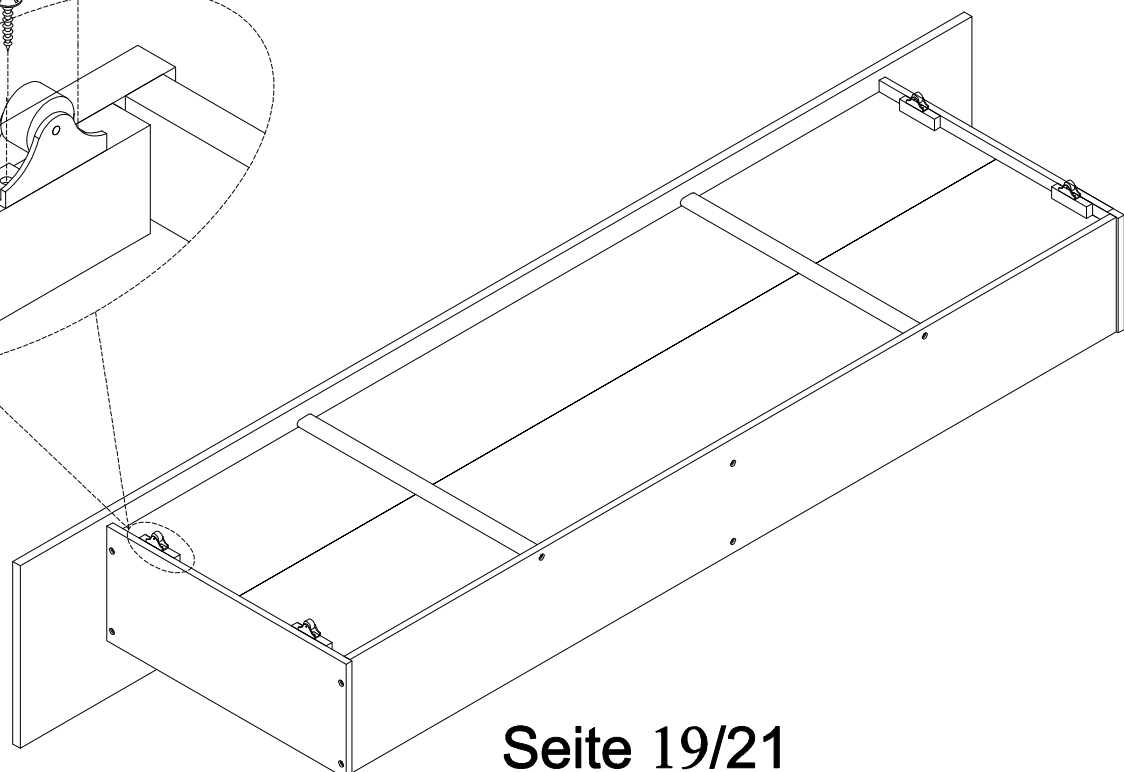
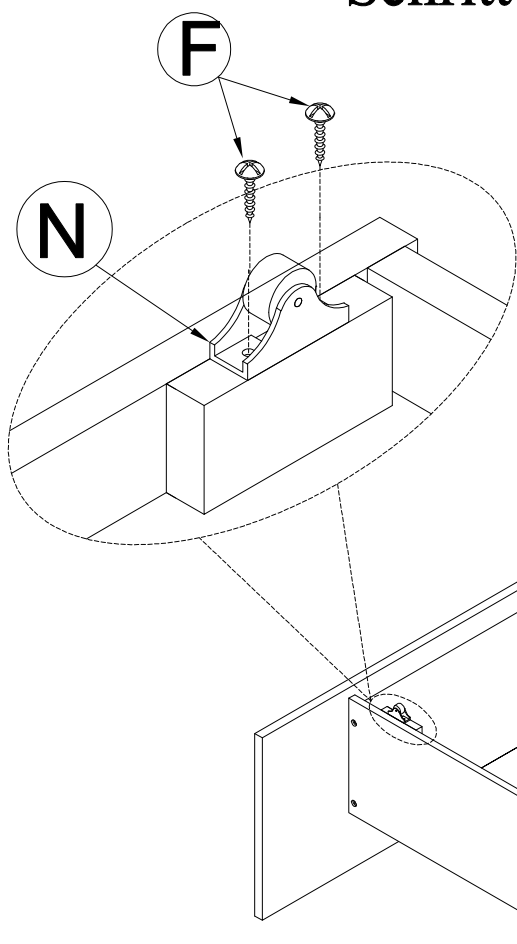
4

F

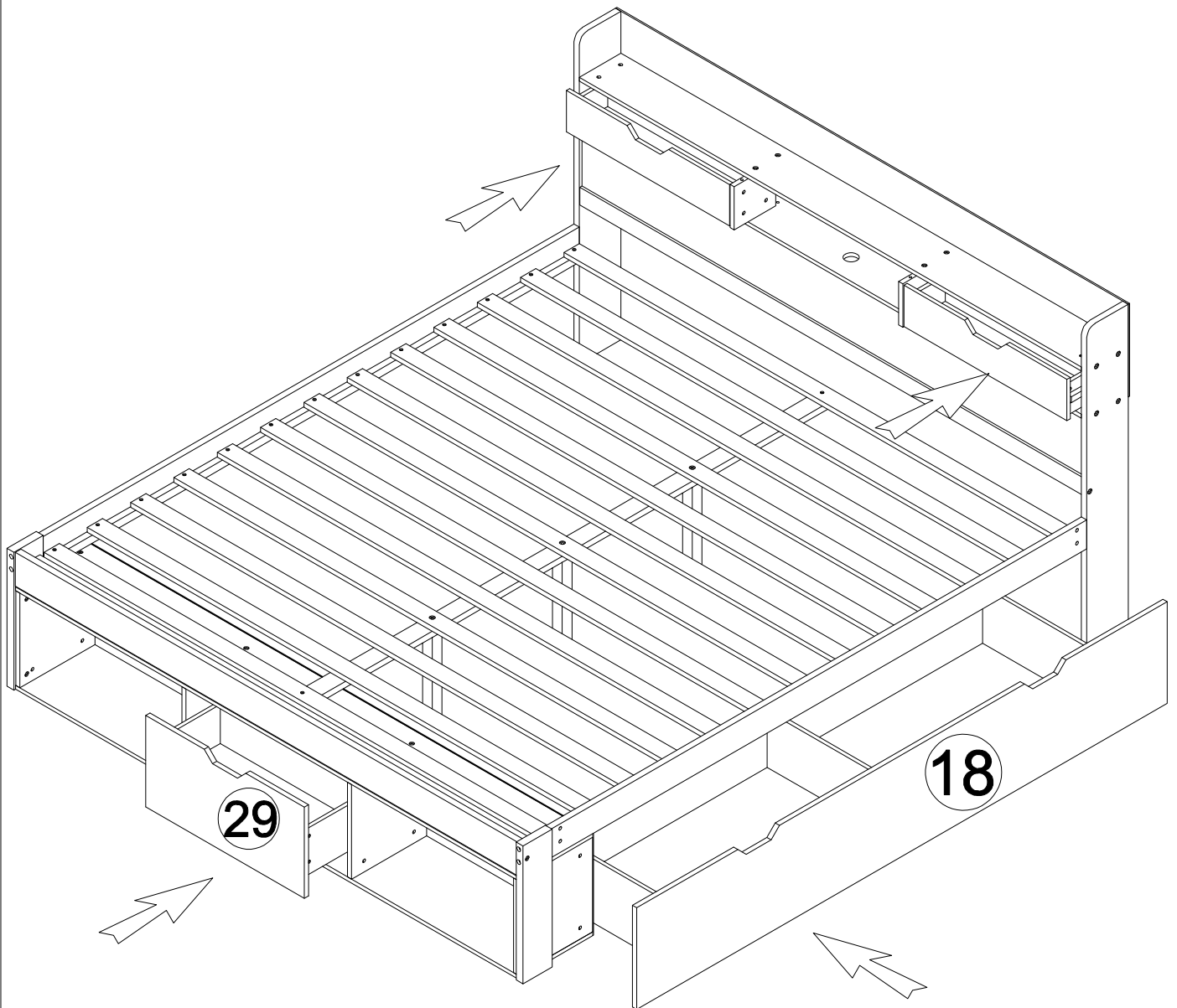


M4 x 15

8



Schritt 14:



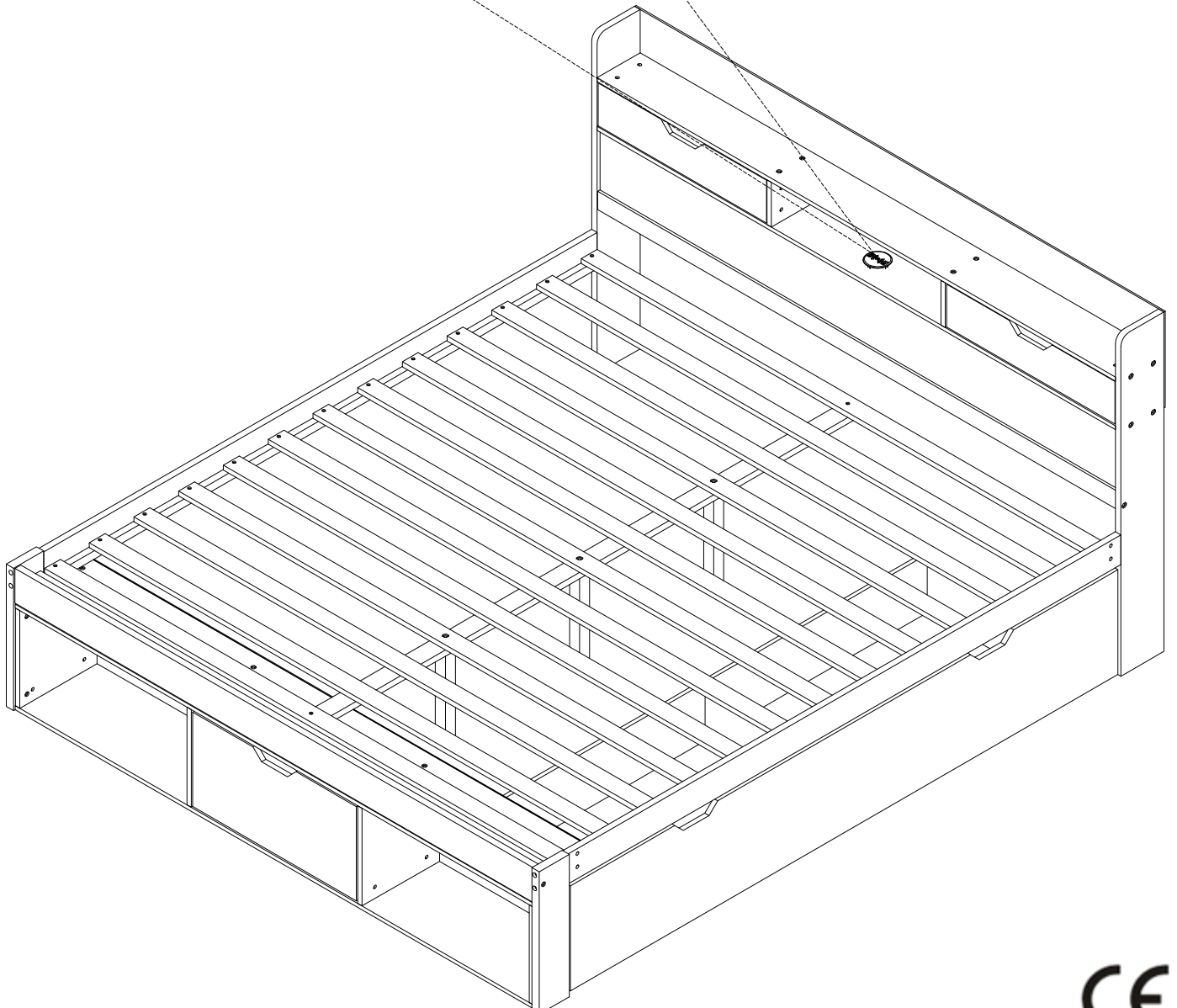
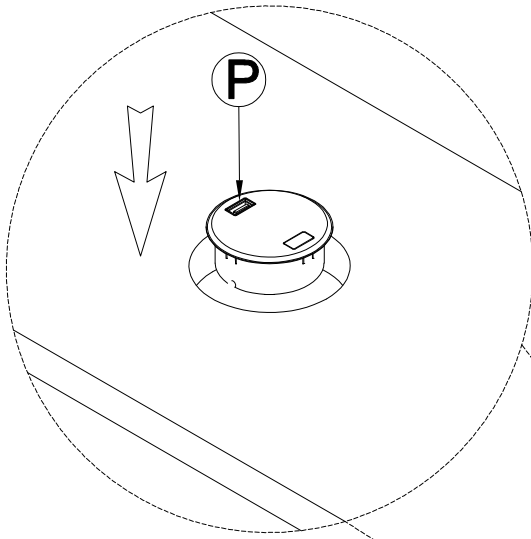
Schritt 15:

P



Usb Power

1





CERTIFICATE OF CONFORMITY

Electromagnetic Compatibility (EMC) Directive 2014/30/EU


This Certificate of Conformity is hereby issued to the product designated below:

Certificate No...... : 23EP08001E01
Report No...... : EP2308001E01
Date Issue...... : 2023-08-23
Applicant's name : DA TANG LIGHT TECHNOLOGY CO.,LTD
Address : No.688, KP4, AnFu Electronic Industrial, Shun's County Binh Duong
Manufacturer's name : DA TANG LIGHT TECHNOLOGY CO.,LTD
Address : No.688, KP4, AnFu Electronic Industrial, Shun's County Binh Duong
Product Description..... : Socket
Model(s)/Type References : DT-XXXX(The 1st "X" represents the switch, 0-1, the 2nd "X" represents the number of sockets 1-4, the 3th "X" represents the number of USB 1-3 (1 is double A, 2 is A+C,3 is double C), and the 4th "X" represents the wireless charge 0-1)
Parameters..... : See attachment for details
Standard(s) : EN 55032:2015+A11:2020+A1:2020
EN 55035:2017+A11:2020
EN IEC 61000-3-2:2019+A1:2021
EN 61000-3-3:2013+A1:2019+A2:2021

On the basis of the referenced test report(s), sample(s) tested of the above product have been found to comply with the standards harmonized with the directives listed on this verification at the time the tests were carried out. Other standards and Directives may be relevant to the product. This verification is part of the full test report(s) and should be read in conjunction with it(them).

Once compliance with all product relevant CE mark directives are verified, including any relevant e.g. risk assessment and production control, the manufacturer may indicate compliance by signing a Declaration of Conformity themselves and applying the mark to products identical to the tested sample(s).

Approved By


Eric Liu
Director of engineering department

Dongguan Pubiao Testing Technology Co., Ltd

No. 3, 1/F., Building A, No.30, Minghua Road, Juzhou, Shijie, Dongguan, Guangdong, China

Tel: +86 769 81813516 E-mail: service@pubiaotest.com Web: www.pubiaotest.com



CERTIFICATE OF CONFORMITY

Electromagnetic Compatibility (EMC) Directive 2014/30/EU

Appendix of Certificate No.: 23EP08001E01

Parameters:

Input: 220-250Vac, 50Hz, 10A

Output: AC socket: 2500W max

1)For USBA+Type-C output:

Type-C: 5VDC3A/9VDC2.22A/12VDC1.67A

USBA:5VDC3A/9VDC2A/12VDC1.5A

Type-C&USB: 5VDC/3A

Wireless:15W max

2)For double C output:

Type-C1: 5VDC3A/9VDC2.22A/12VDC1.67A

Type-C2:5VDC3A/9VDC2A/12VDC1.5A

Type-C1&Type-C2: 5VDC/3A

Wireless:15W max

3)For double A output:

USBA1:5VDC 2.1A

USBA2:5VDC 2.1A

USBA1&USBA2:5VDC/2.1A

Wireless:15W max



Dongguan Pubiao Testing Technology Co., Ltd

No. 3, 1/F., Building A, No.30, Minghua Road, Juzhou, Shijie, Dongguan, Guangdong, China

Tel: +86 769 81813516 E-mail: service@pubiaotest.com Web: www.pubiaotest.com