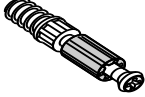
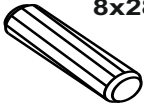





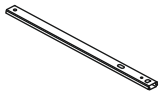

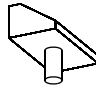




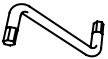
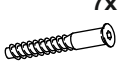


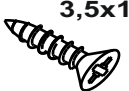



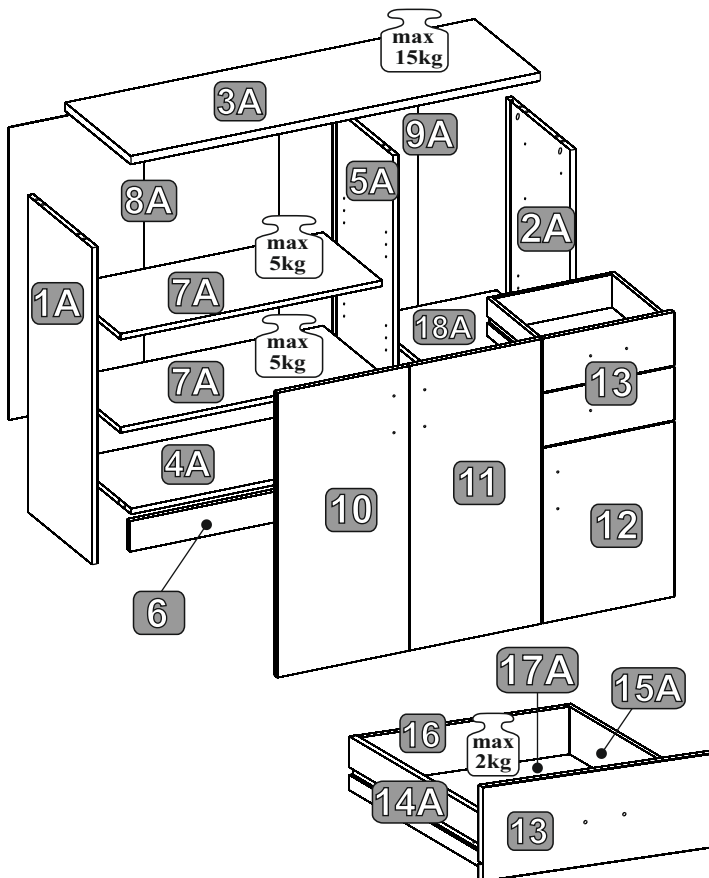
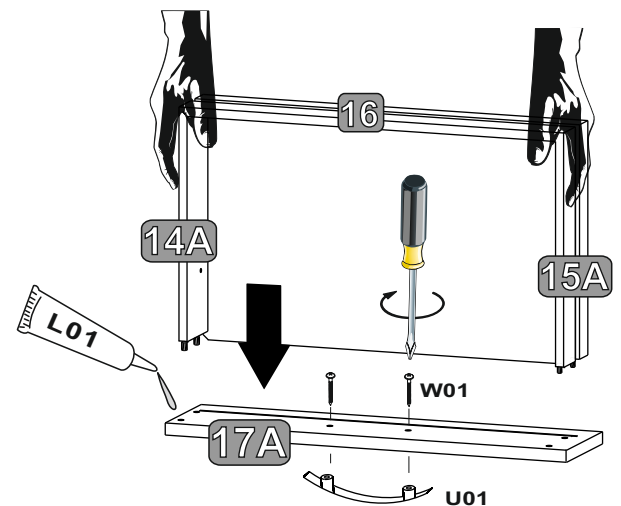
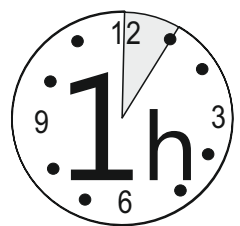
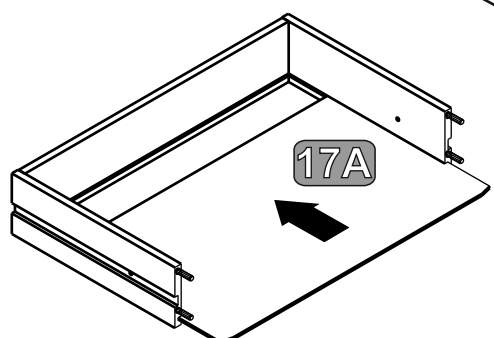
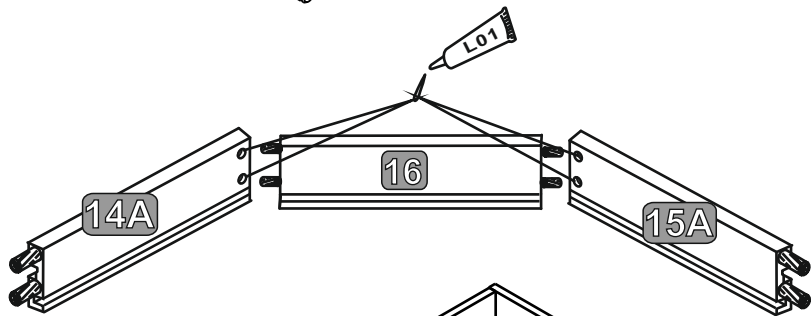
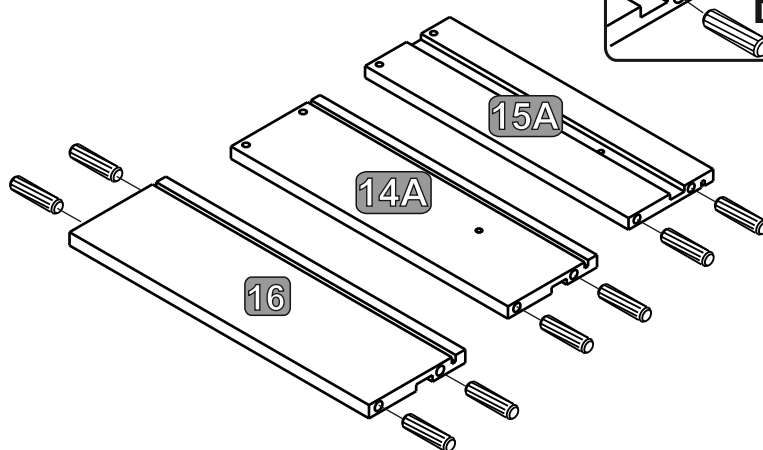
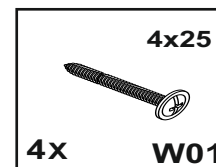
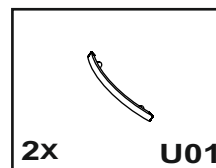
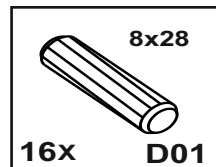
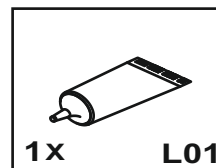
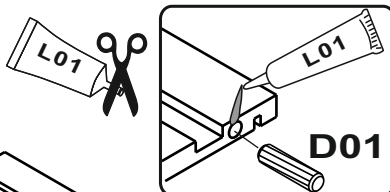
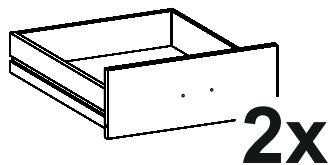
 10x T02	 10x T01	 32x D01	 4x Z01	 6x Z02	 12x E01
 2x W07	 2x Z03	 4x P03	 8x W10	 1x E02	 16x R01
 5x U01	 10x W01	 5x S01	 1x K01	 2x W04	 1x L01
 4x X02	 12x W03	 1x F01	 1x F11	 1x P01	



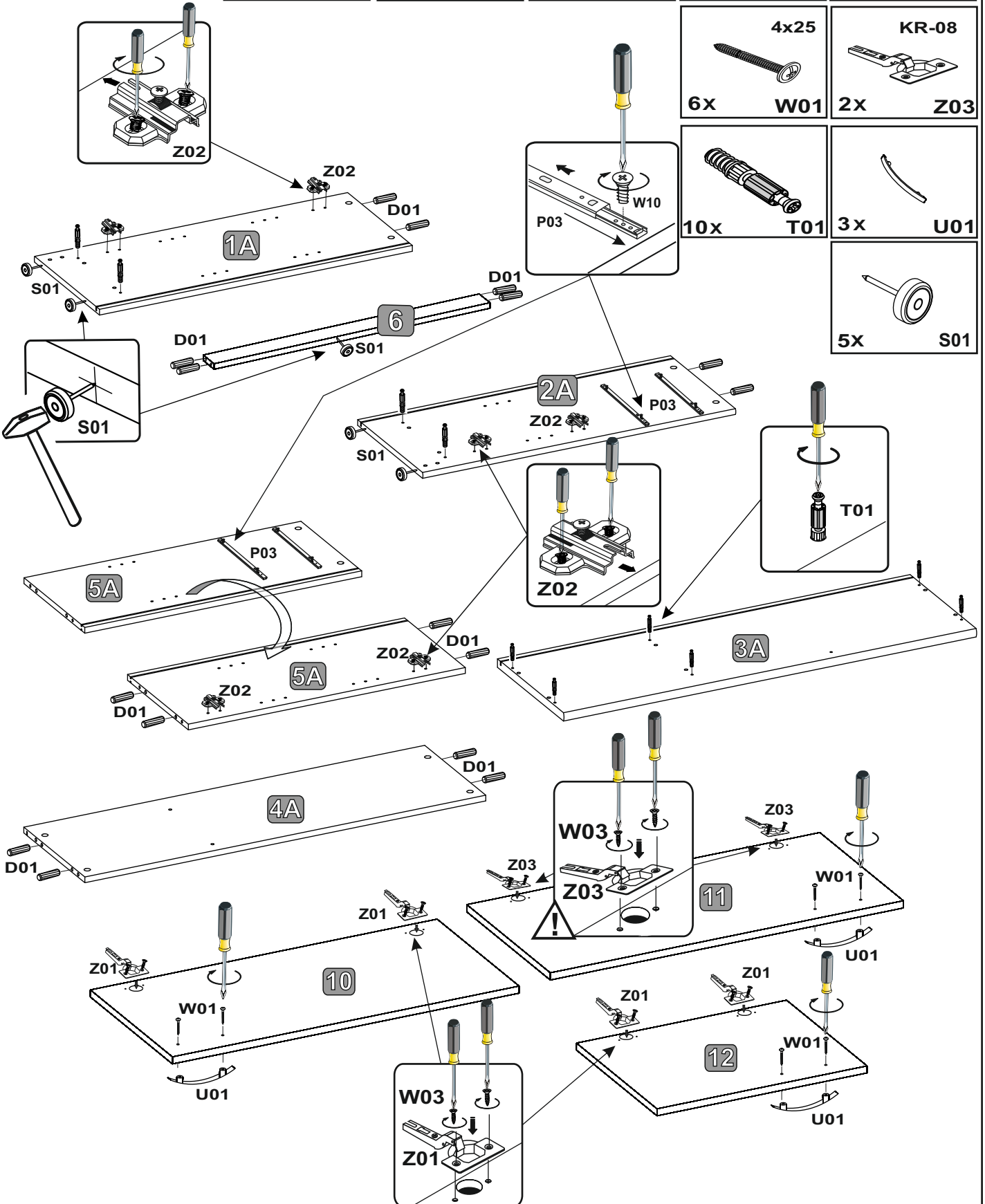
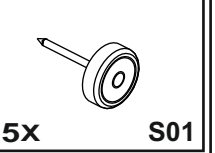
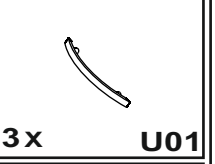
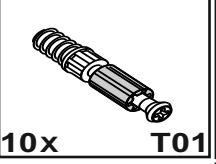
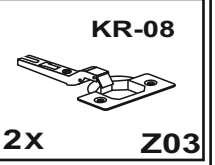
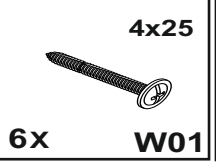
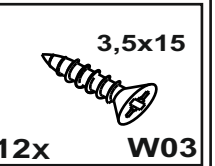
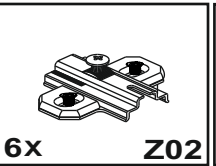
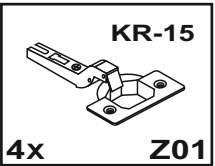
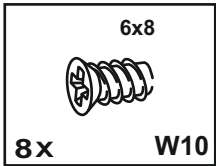
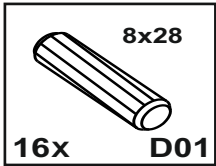
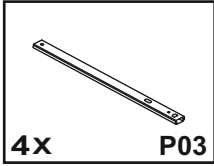
NR	DIM	QTE	COLLI
1A	828x345x15	1	1/1
2A	828x345x15	1	1/1
3A	1092x352x22	1	1/1
4A	1061x323x15	1	1/1
5A	733x322x15	1	1/1
6	1061x80x15	1	1/1
7A	698x296x15	2	1/1
8A	752x711x2	1	1/1
9A	752x360x2	1	1/1
10	744x350x15	1	1/1
11	744x350x15	1	1/1
12	458x350x15	1	1/1
13	350x140x15	2	1/1
14A	290x100x12	2	1/1
15A	290x100x12	2	1/1
16	315x100x12	2	1/1
17A	326x290x2	2	1/1
18A	347x296x15	1	1/1



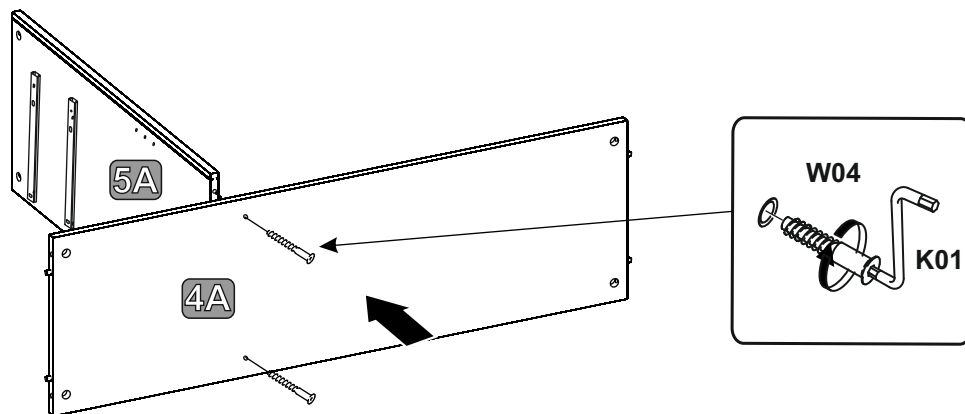
1



2



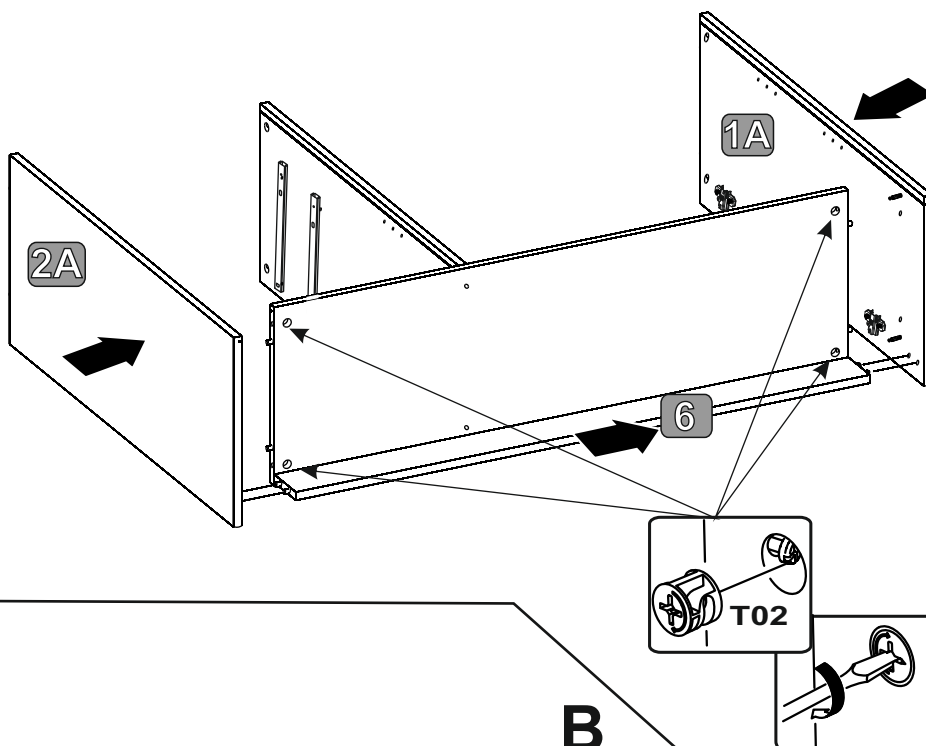
3



1x K01

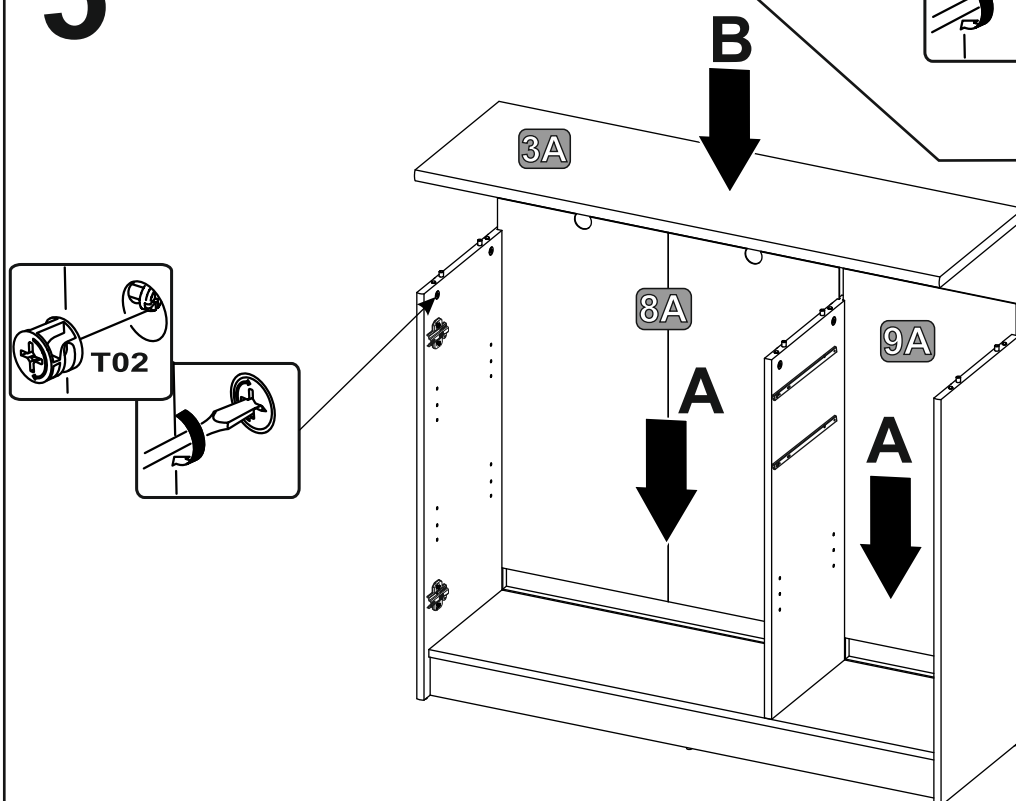
7x50
2x W04

4



4x T02

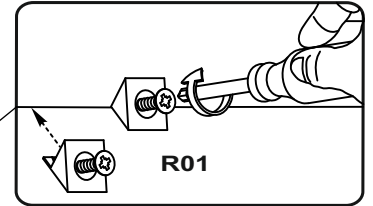
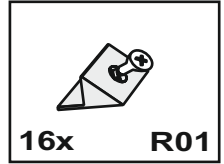
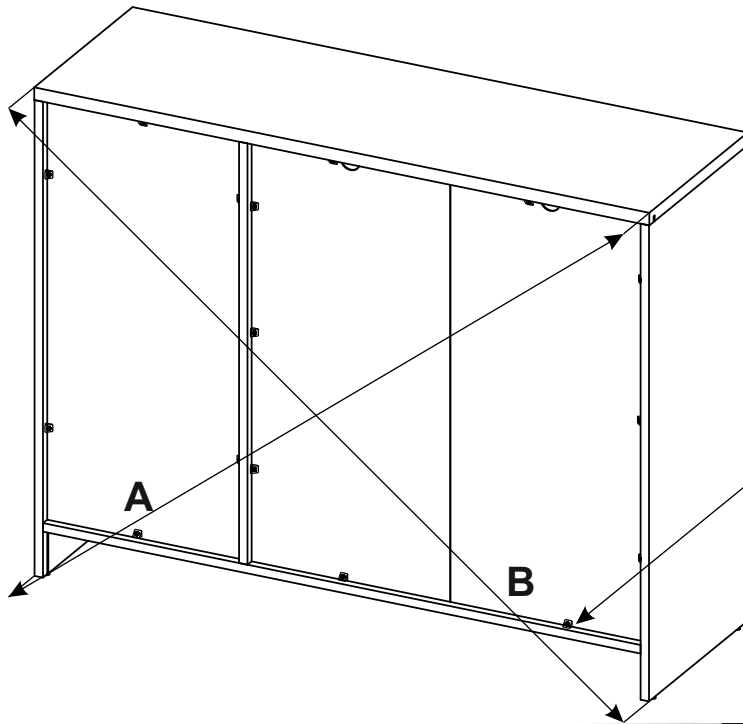
5



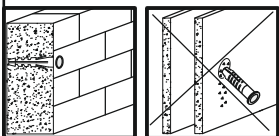
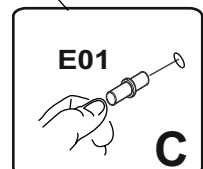
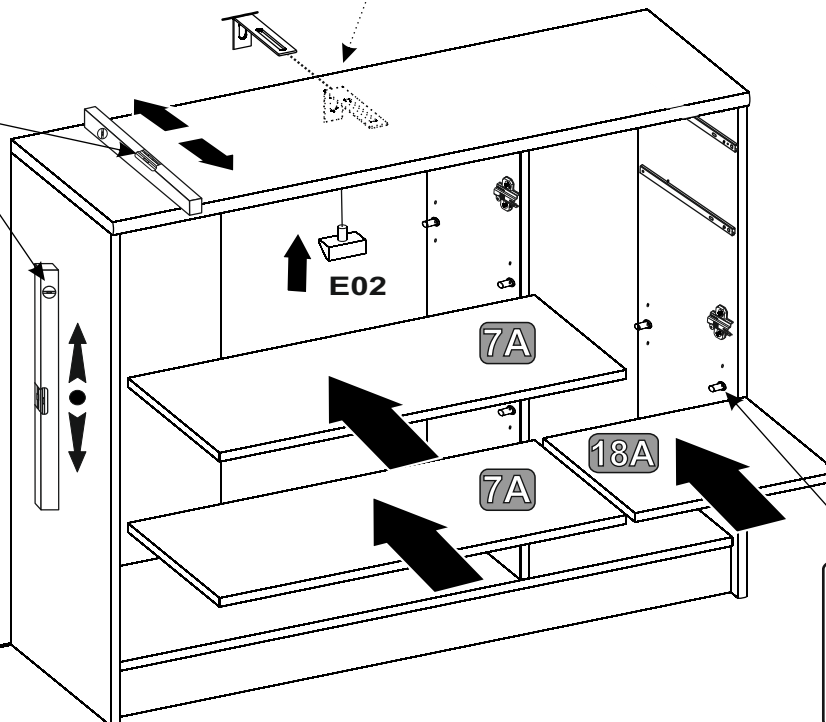
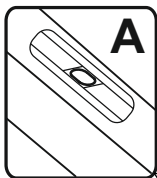
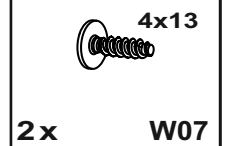
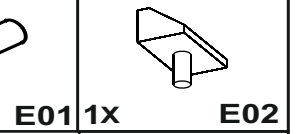
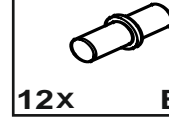
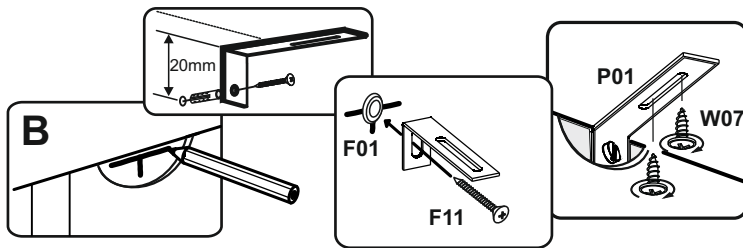
6x T02

6

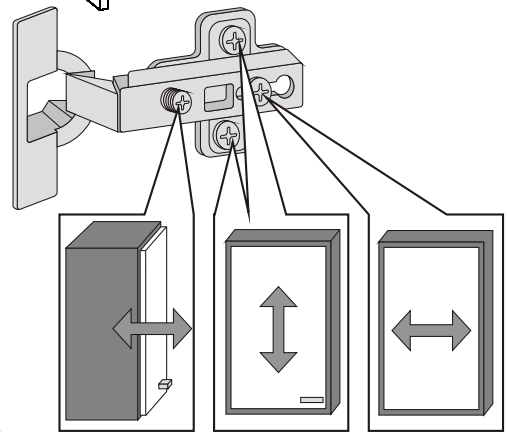
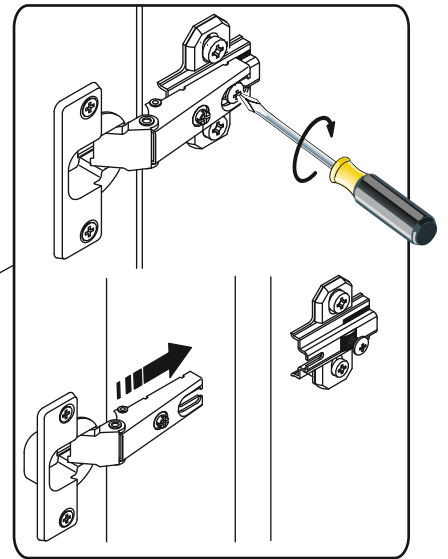
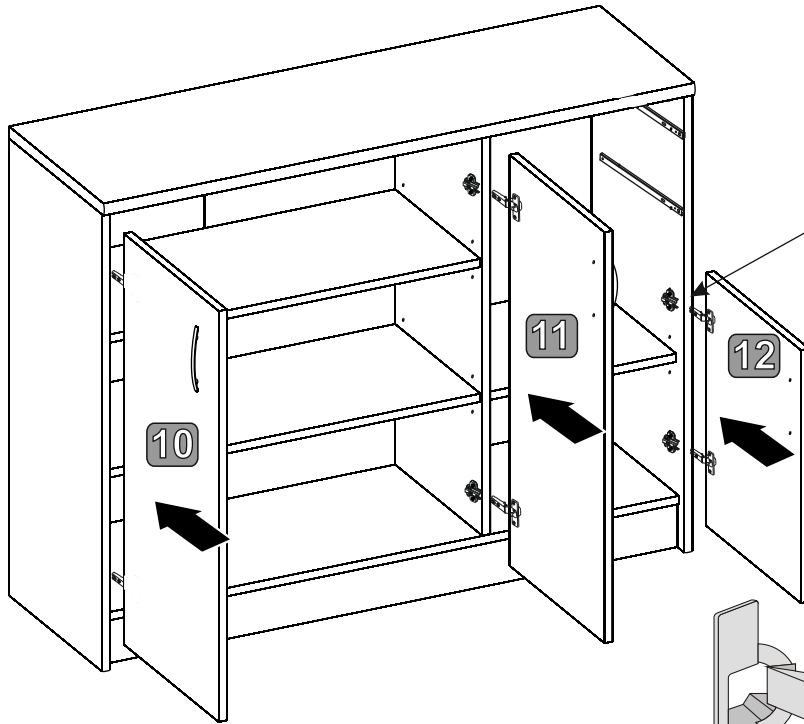
A=B



7



8



9

