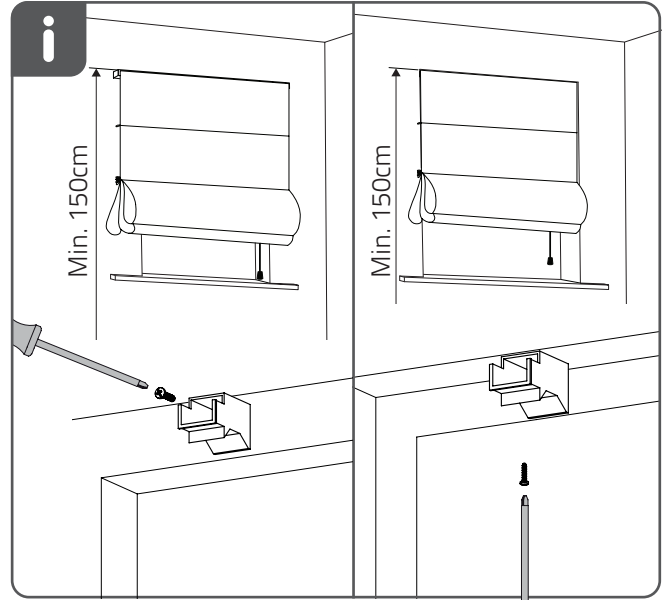
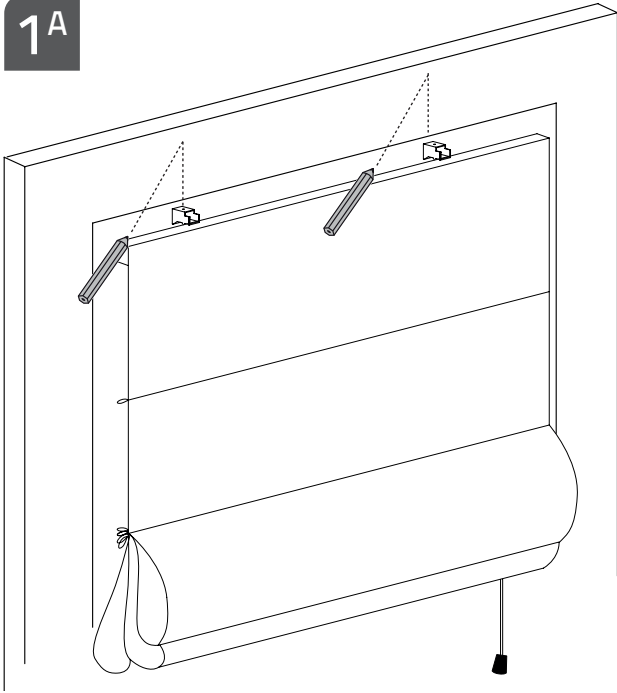
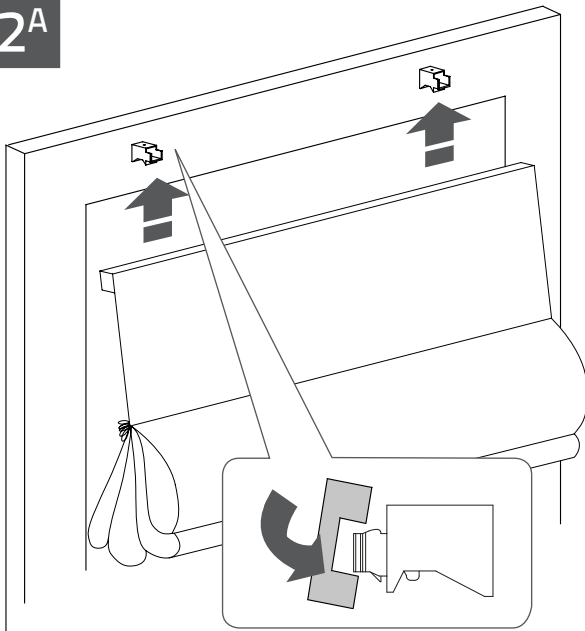


MN190059_20211117

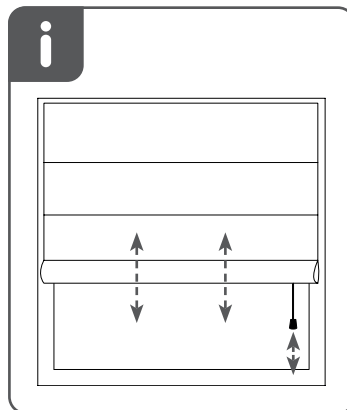
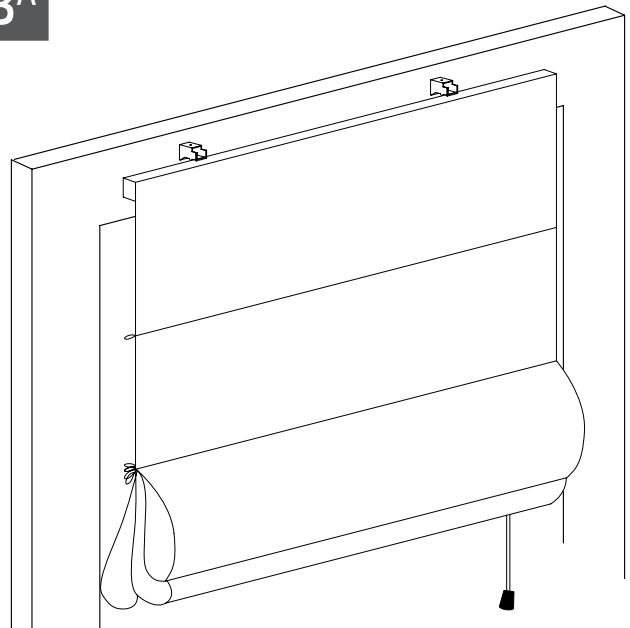
1A



2A

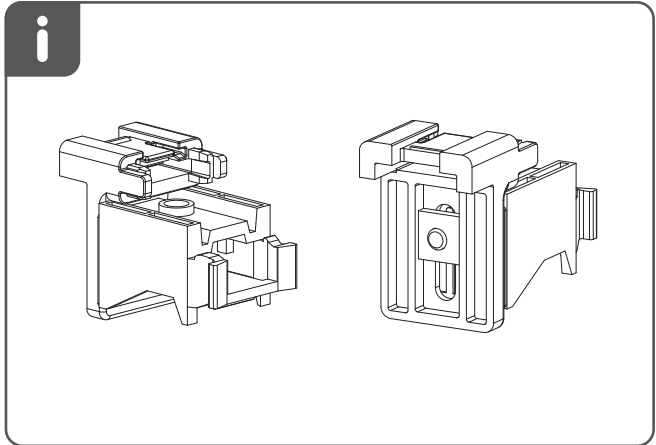
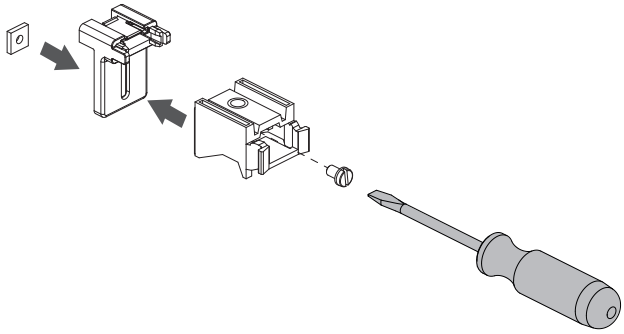


3A

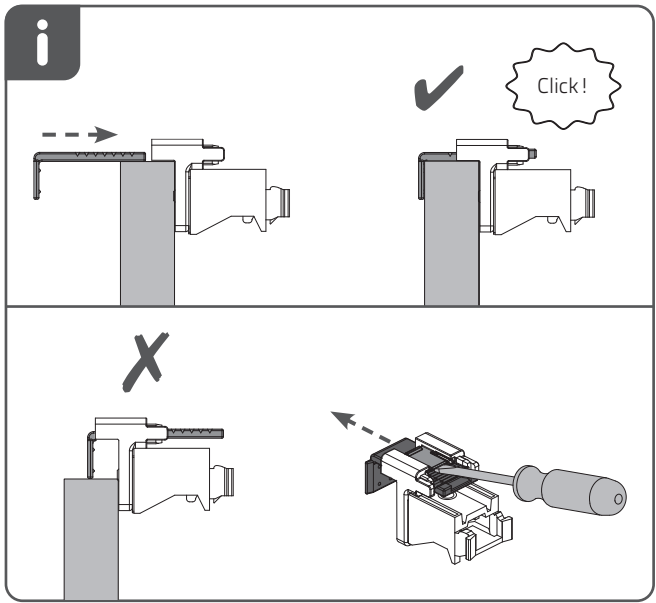
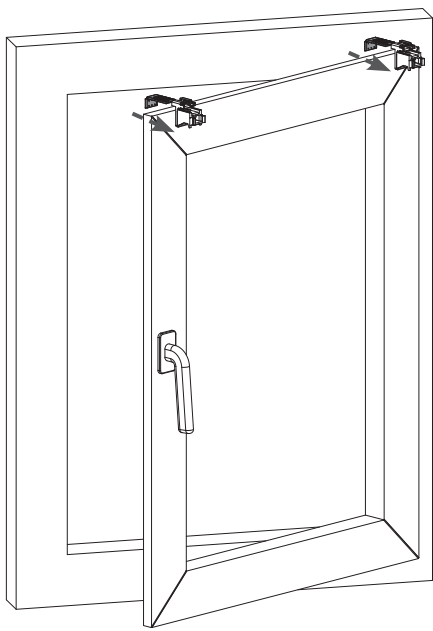


MN190059_20211117

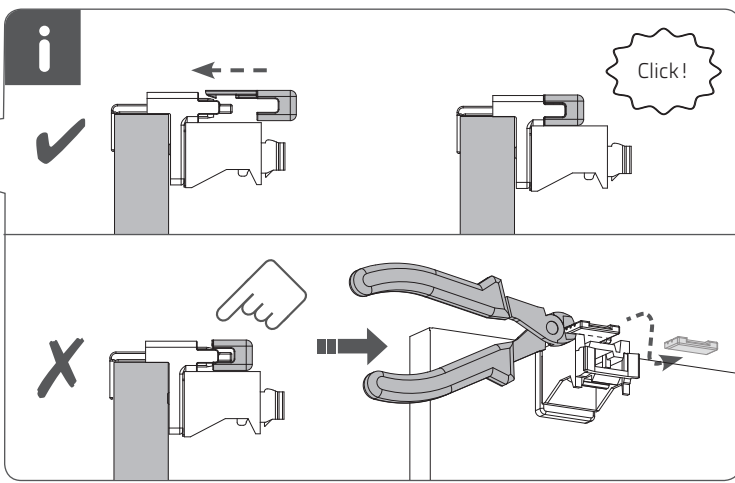
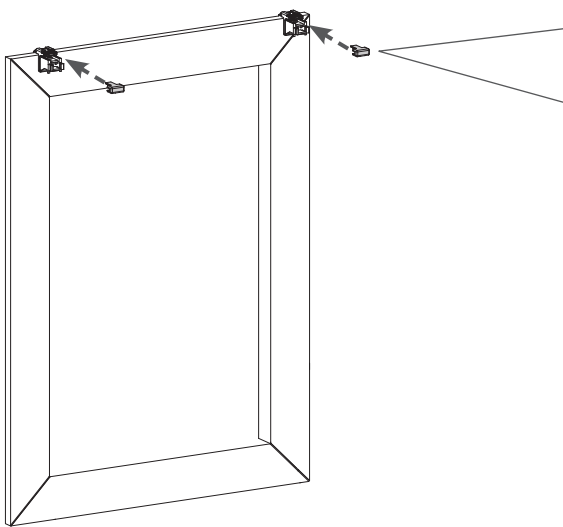
1B



2B

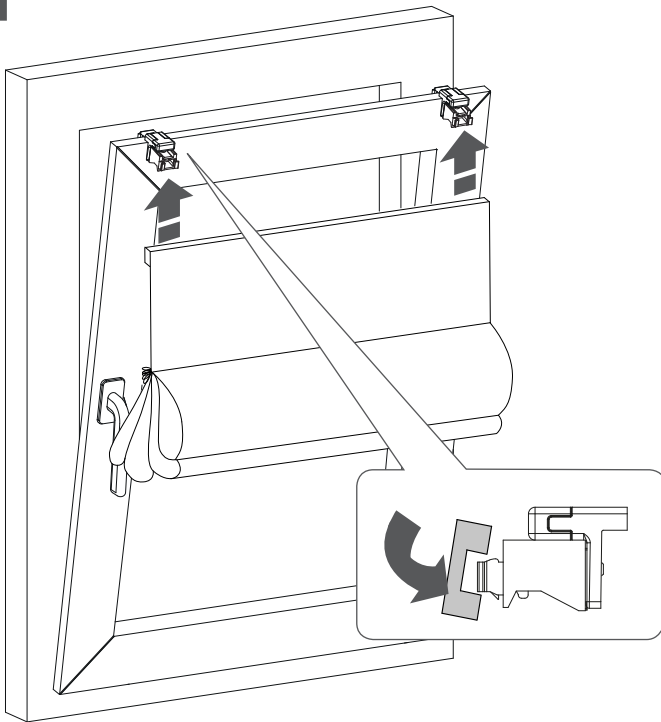


3B

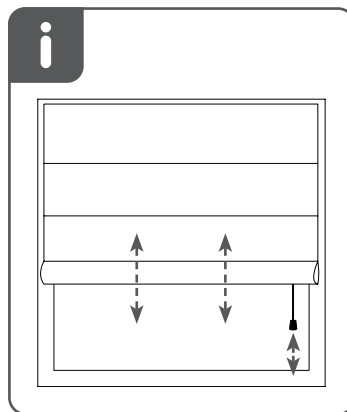
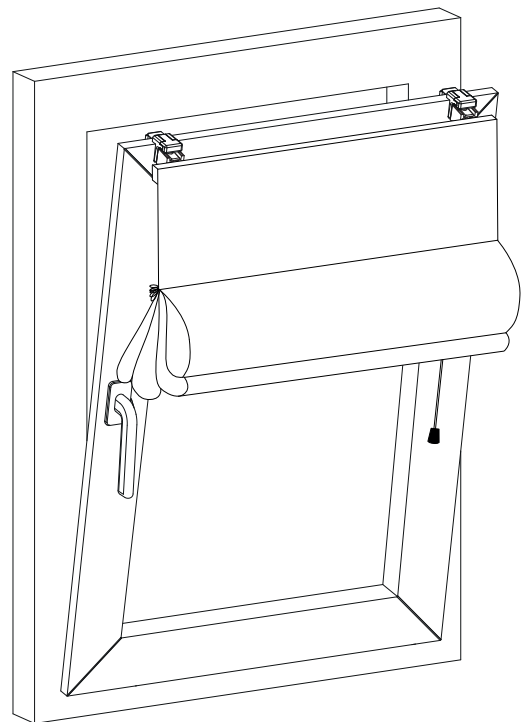


MN190059_20211117

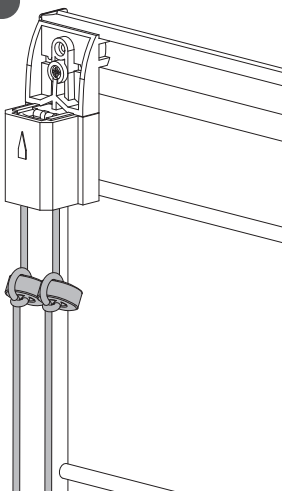
4^B



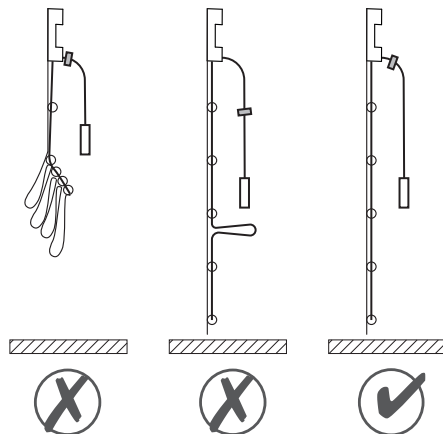
5^B



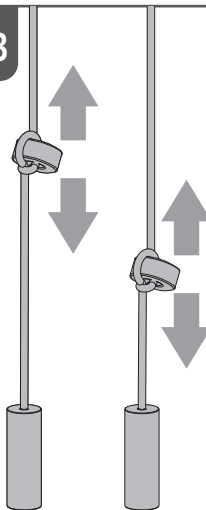
2.1



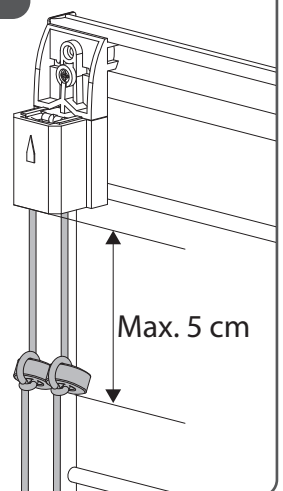
2.2



2.3



2.4



MN190059_20211117

