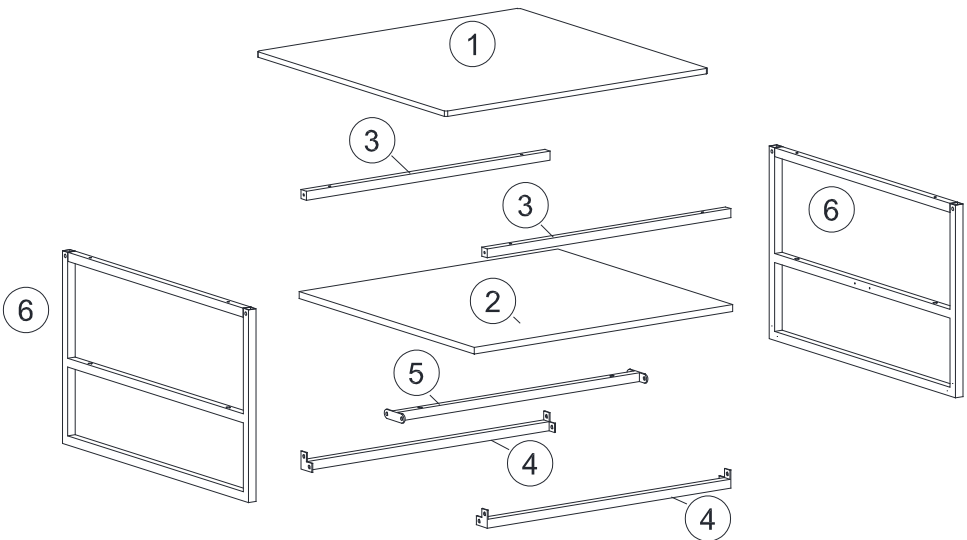
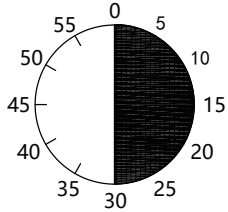
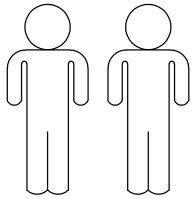
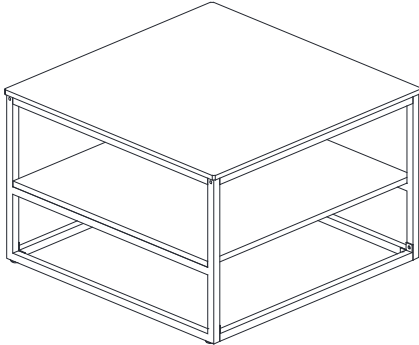
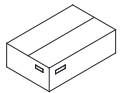


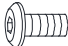





HUGO



1	1x
2	1x
3	2x
4	2x
5	1x
6	2x

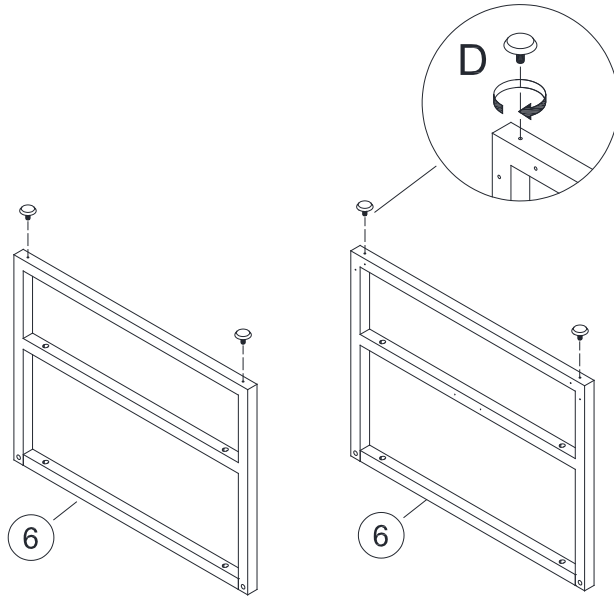


1/1

A	M6x12mm	B	M6x30mm	C	M6x40mm	D	Ø22xM6	E	4mm	F	
	12x		6x		4x		4x		1x		8x

1.

D Ø22xM6
4x



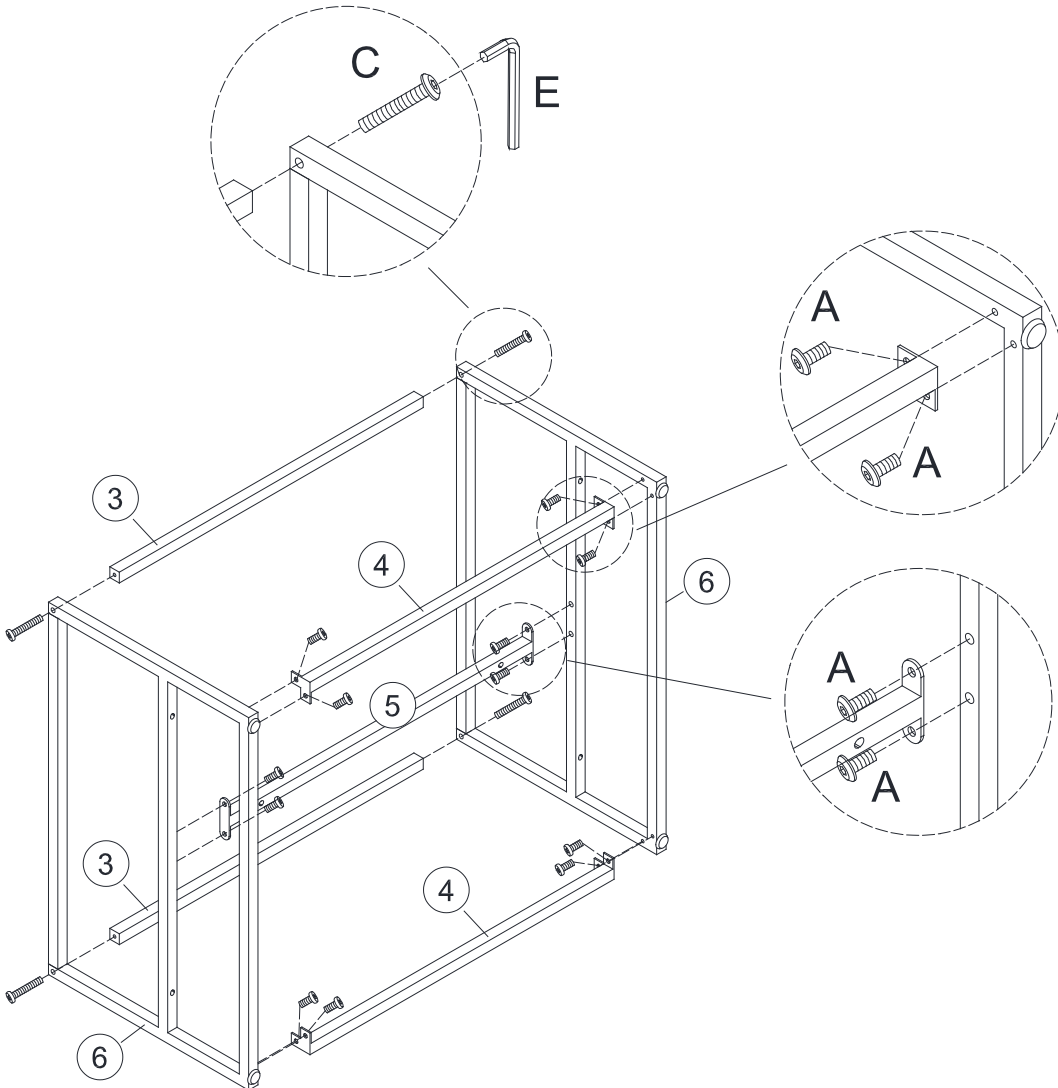
2.

A M6x12mm
12x

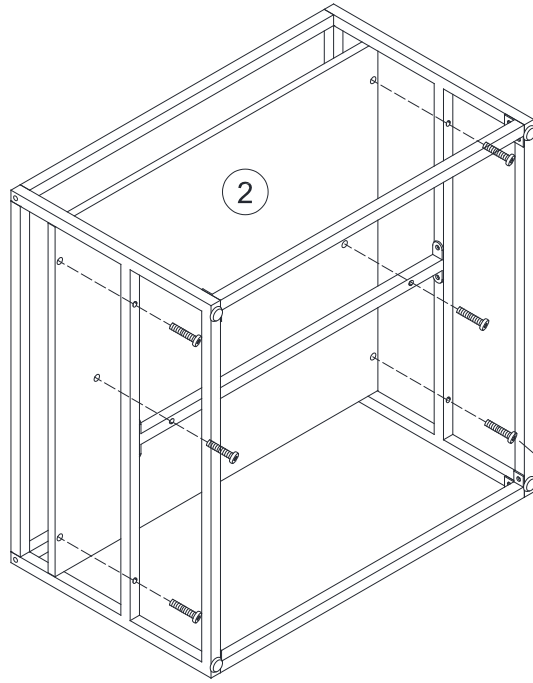
C M6x40mm
4x

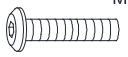


E 4mm
1x

75%

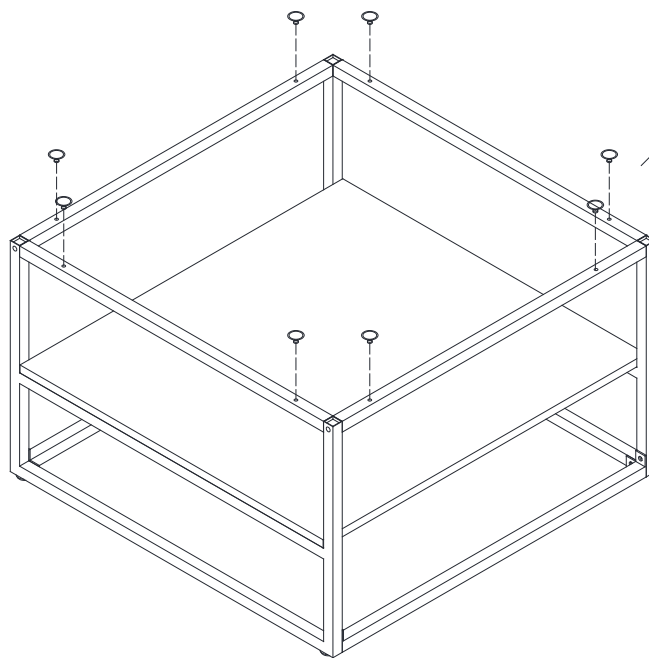


3.



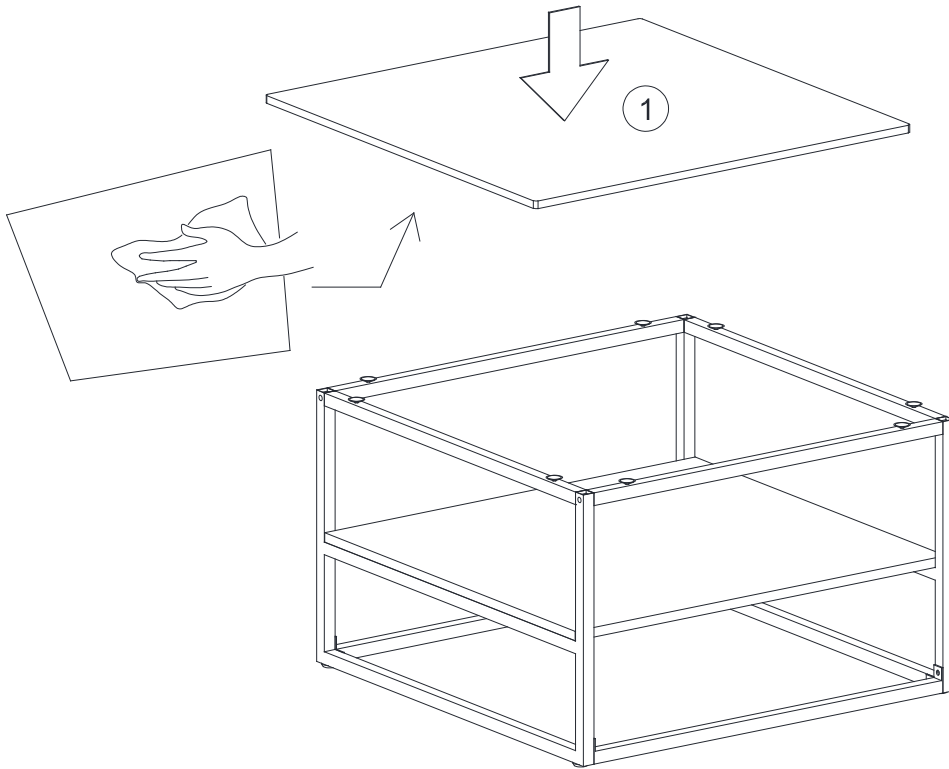
B	M6x30mm		6x
E	4mm		1x
			

4.

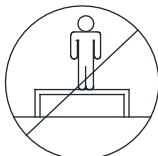
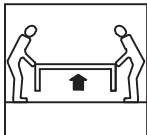
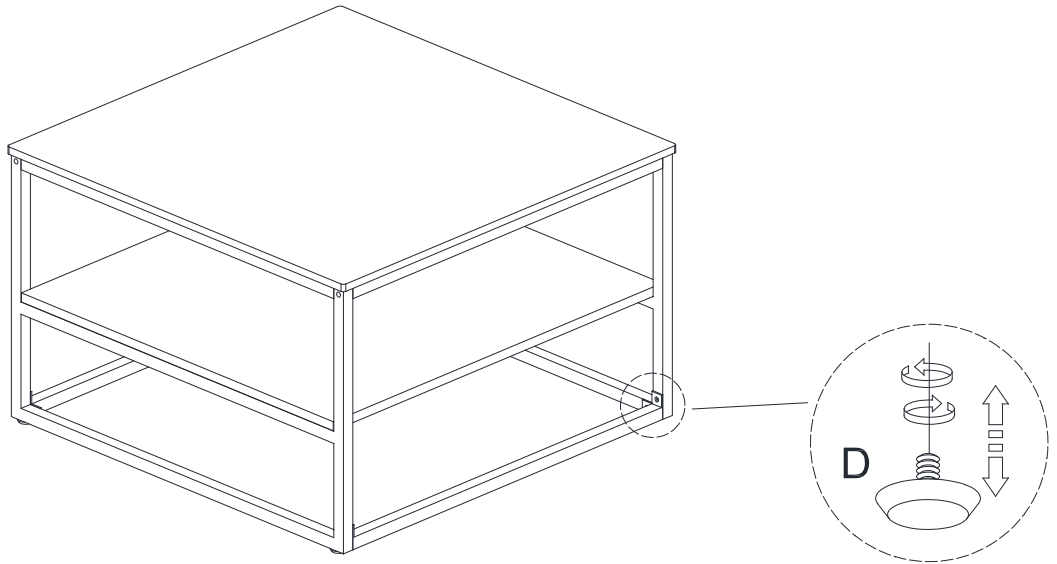


F			8x
----------	--	---	----

5.



6.



**LE TRI
+ FACILE**



Séparez les éléments avant de trier