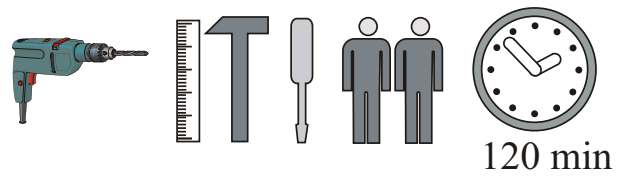
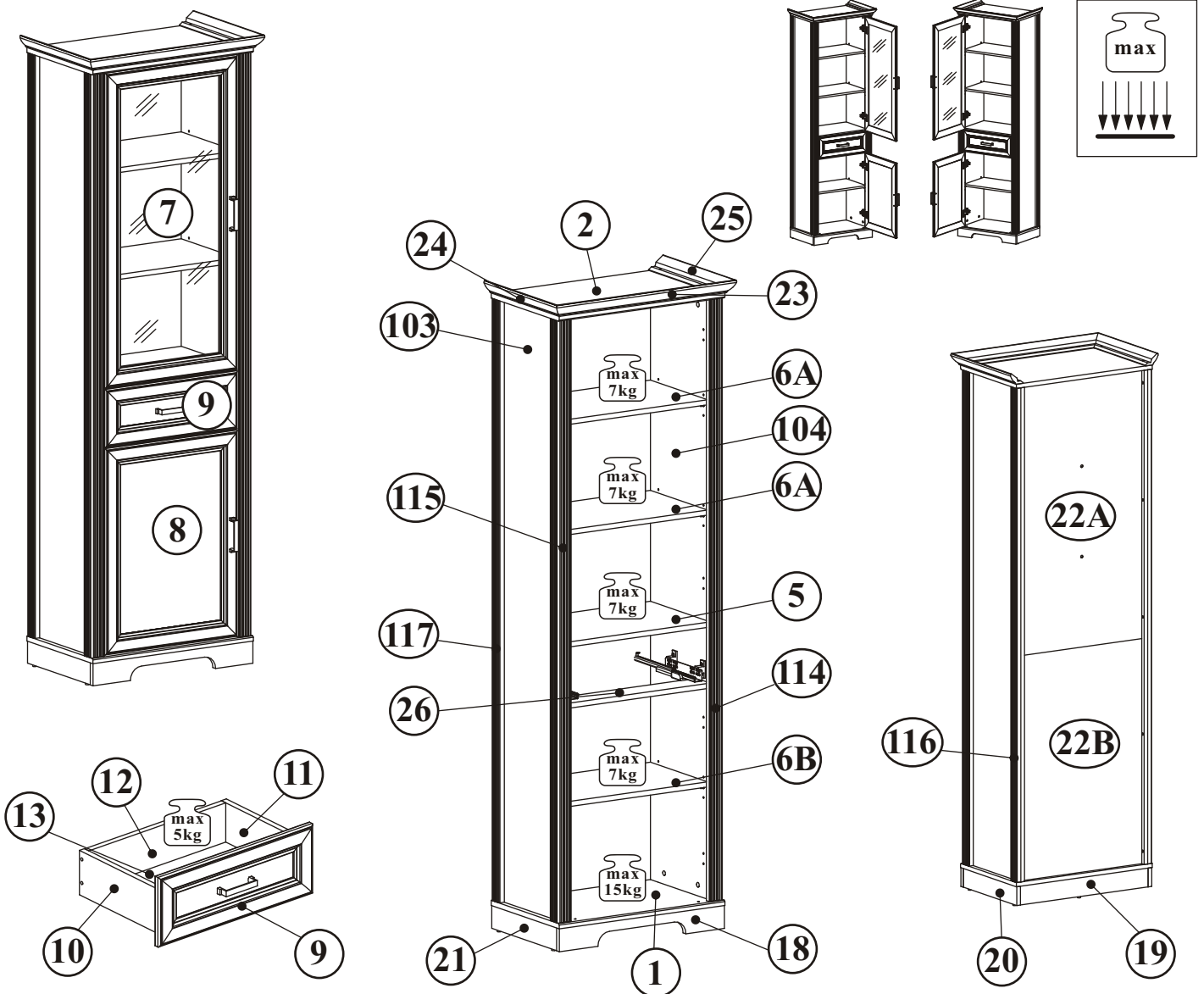


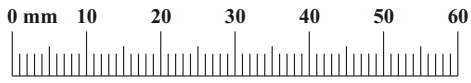
JASMIN 10G9_02



NO	Dim.			Col.-No	Qty
1	602	386	16	1	1
2	602	386	16	1	1
103	1890	359	16	2	1
104	1890	359	16	2	1
5	530	339	16	1	1
6A	530	324	16	3	2
6B	530	324	16	3	1
7	1020	496	22	1	1
8	668	496	22	1	1
9	496	188	22	1	1
10	300	120	16	1	1
11	300	120	16	1	1
12	440	106	16	1	1
13	304	452	3	1	1

NO	Dim.			Col.-No	Qty
114	1890	49	49	2	1
115	1890	49	49	2	1
116	1890	43	19	2	1
117	1890	43	19	2	1
18	600	72	16	1	1
19	566	72	16	1	1
20	369	72	16	1	1
21	369	72	16	1	1
22A	1031	542	3	1	1
22B	871	542	3	1	1
23	655	67	22	2	1
24	412	67	22	2	1
25	412	67	22	2	1
26	530	80	16	1	1

JASMIN 10G9_02



G12		H1		OS3	
x20	Ø14	x4		x2	

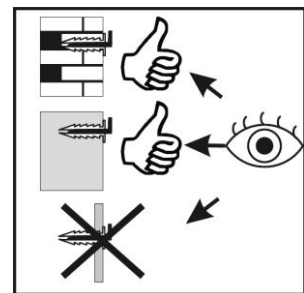
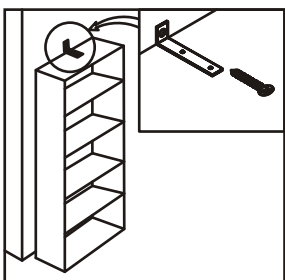
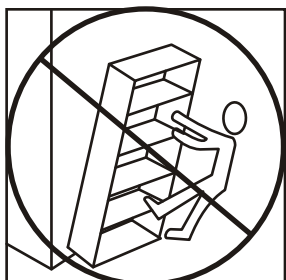
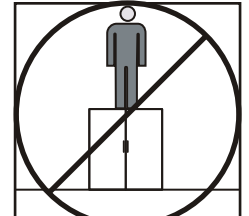
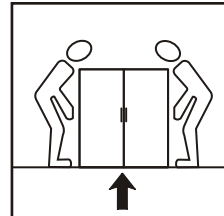
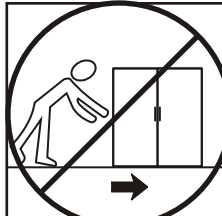
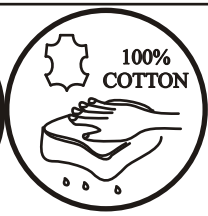
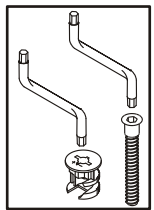
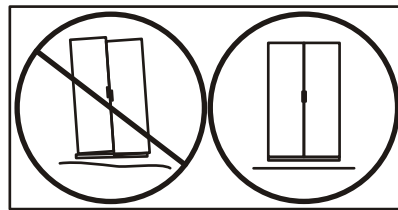
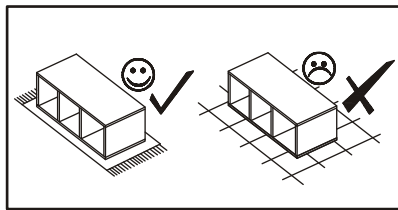
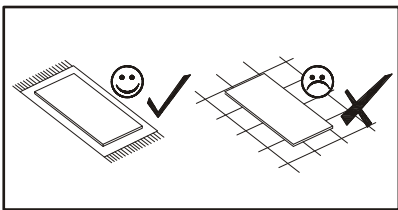
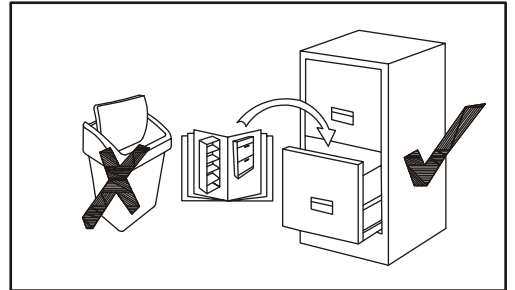
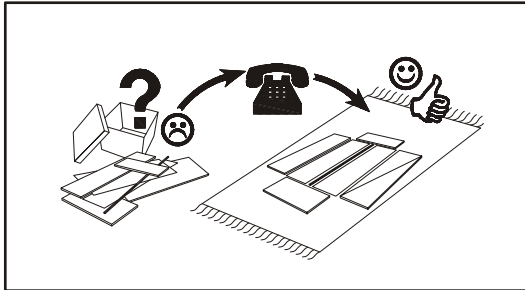
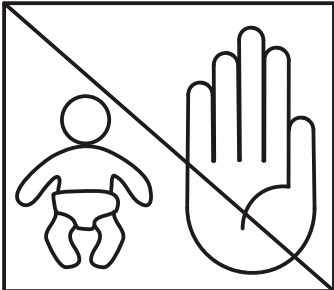
A1		B4		B5		G5		G7		G2	
x30	Ø8x36	x26		x26	Ø15x12	x26		x12		x1	

S1		E17		E13		Z2		L1		KR1	
x18		x4	H=16	x4	H=2	x10	Ø5	x1		x1	

EK8		D10		UP13		D20		QU		I2	
x8	EKØ6,3x24	x12	USØ3,5x13	x8	UPØ3x16	x4	ESØ6,3x9,5	x1	L-300	x5	

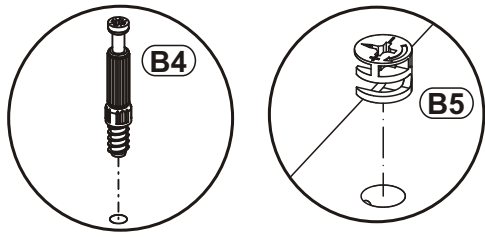
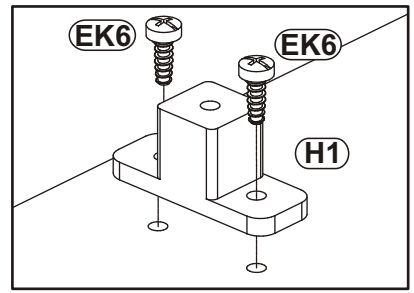
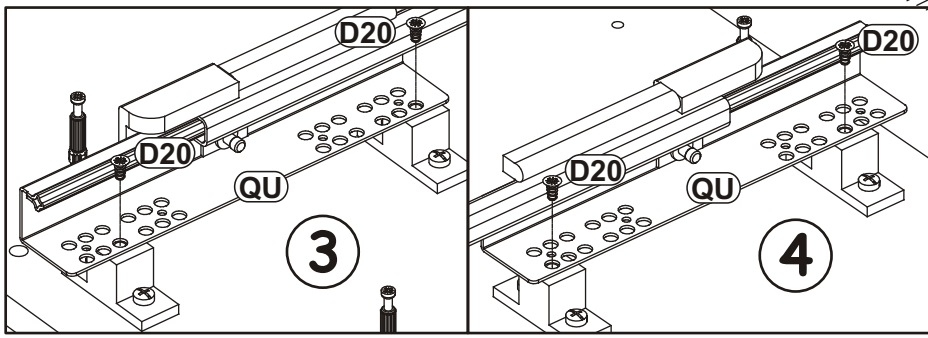
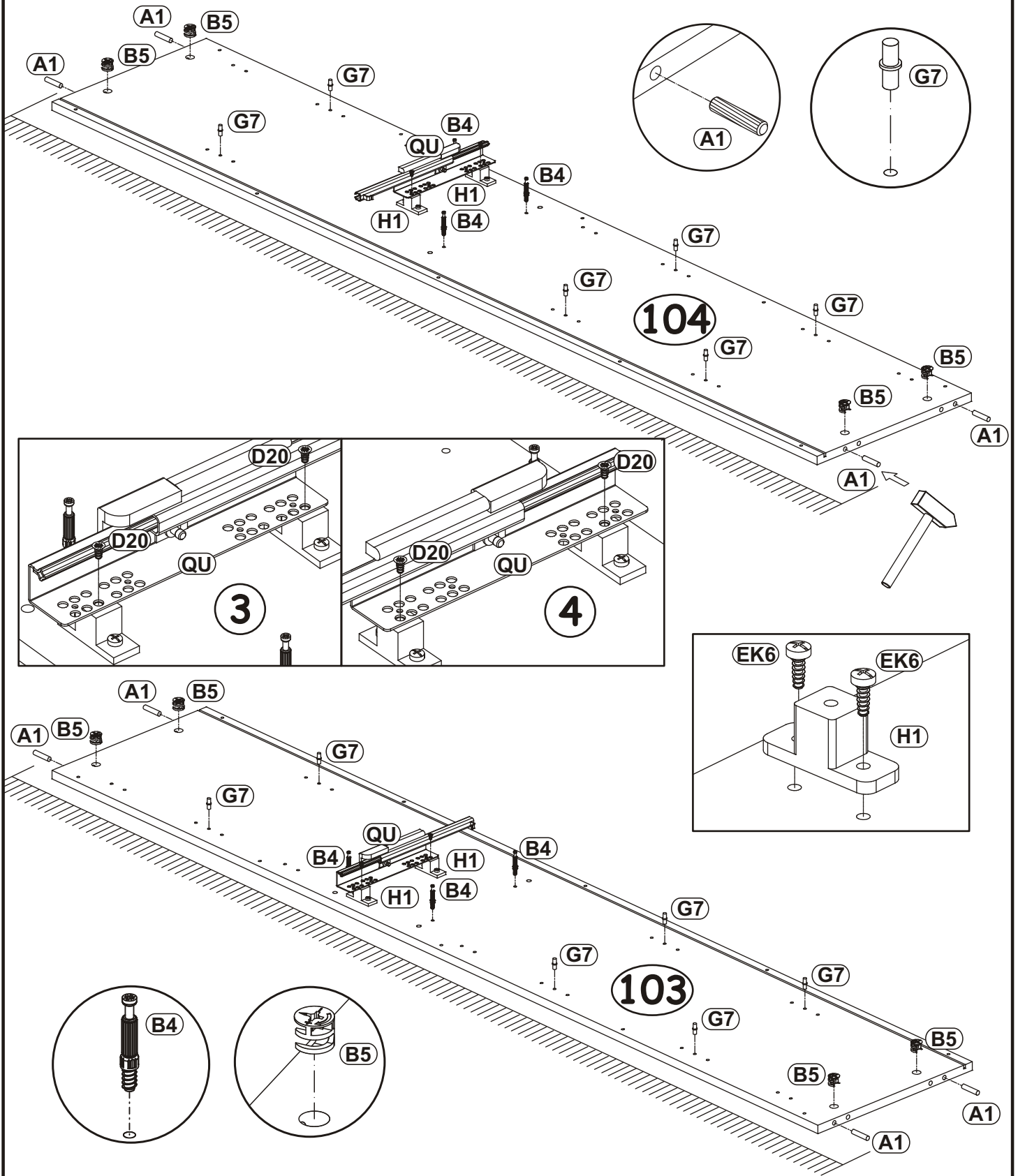
B11		D24		G4		KM1		G16		E0	
x4	Ø7x50	x20	USØ4x30	x4		x1		x4		x4	H=11

C19		D16		D4		EK6		D9		G20	
x3		x2	M4x16	x4	M4x30	x8	EKØ6,3x13	x6	USØ3x20	x2	



1

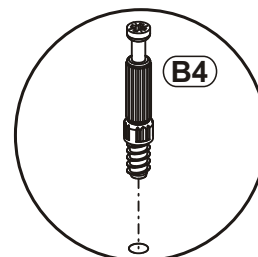
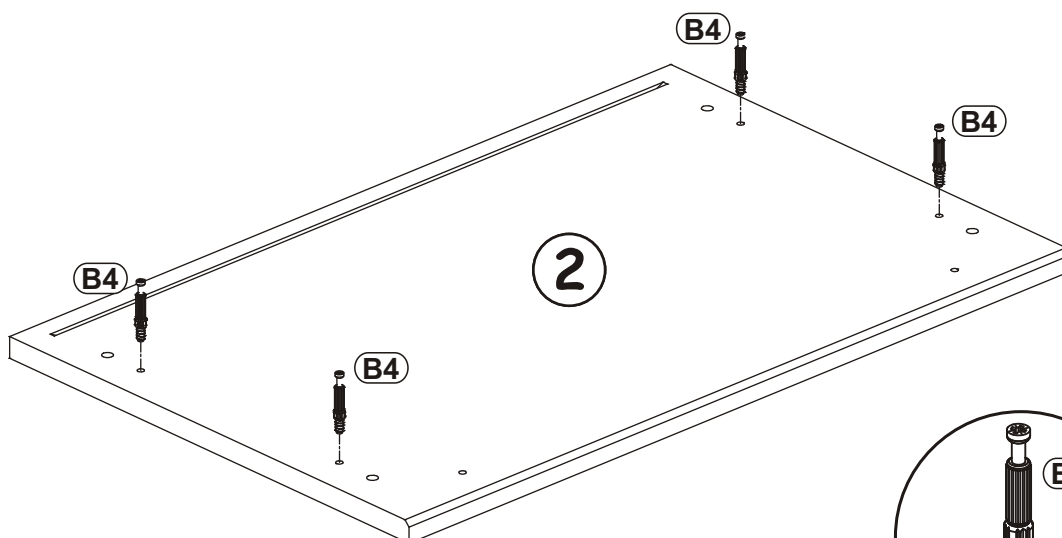
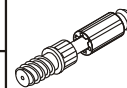
H1 x4		QU x1	 L-300	B5 x8	 ø15x12	G7 x12	
EK6 x8	 EKØ6,3x13	D20 x4	 ESØ6,3x9,5	B4 x6		A1 x8	 ø8x36



2

B4

x4



3

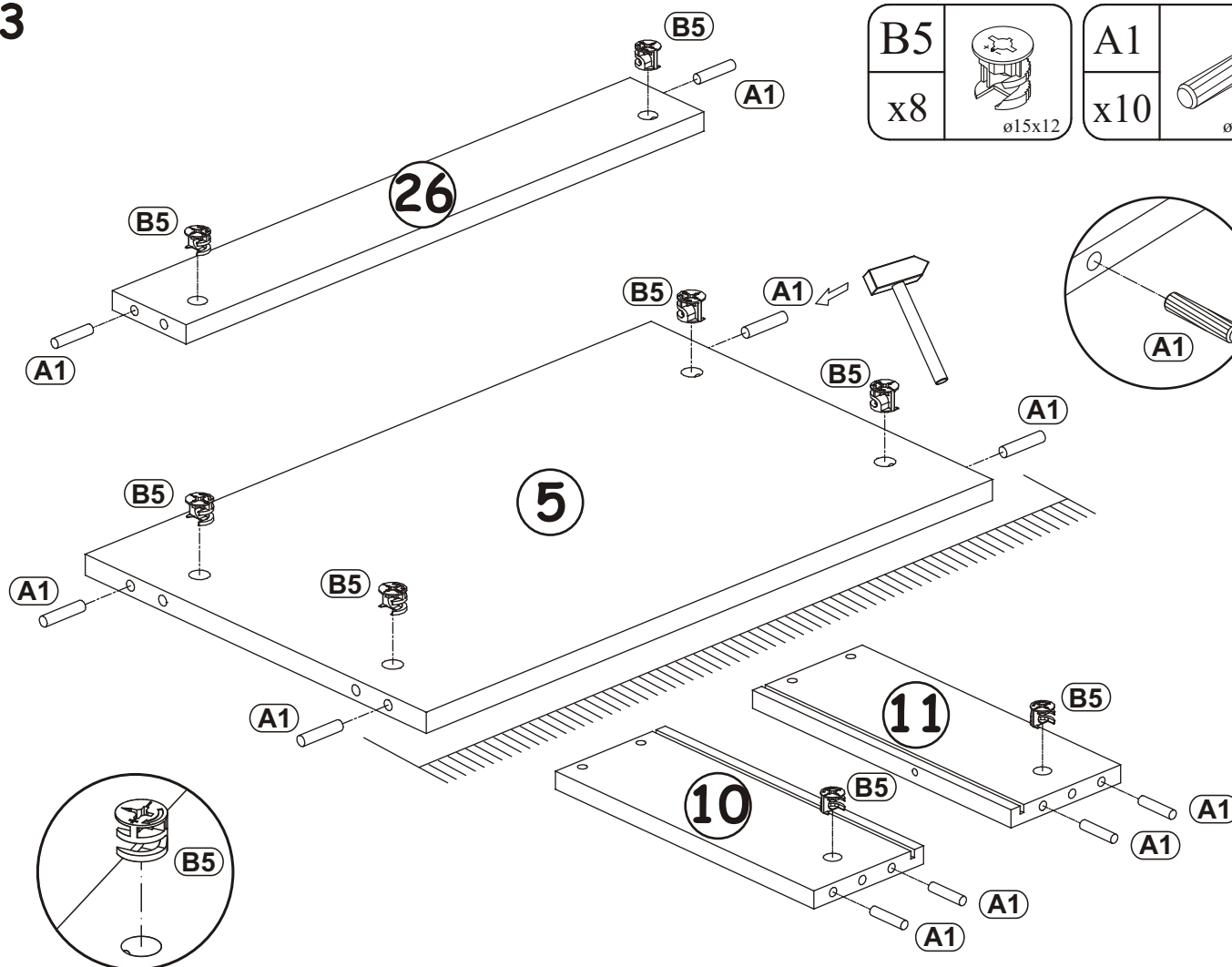
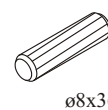
B5

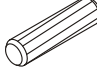

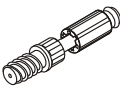
x8



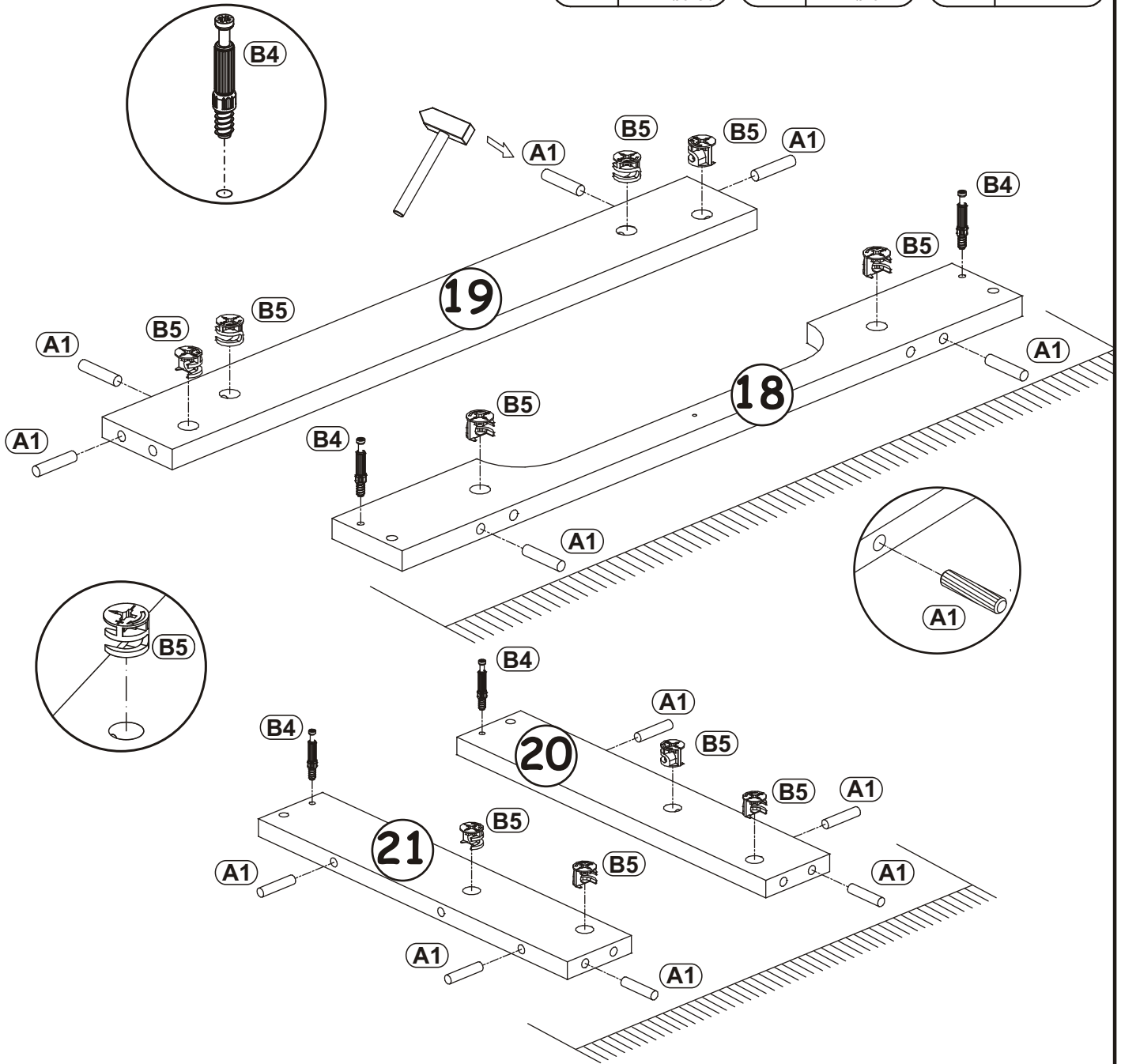
A1

x10

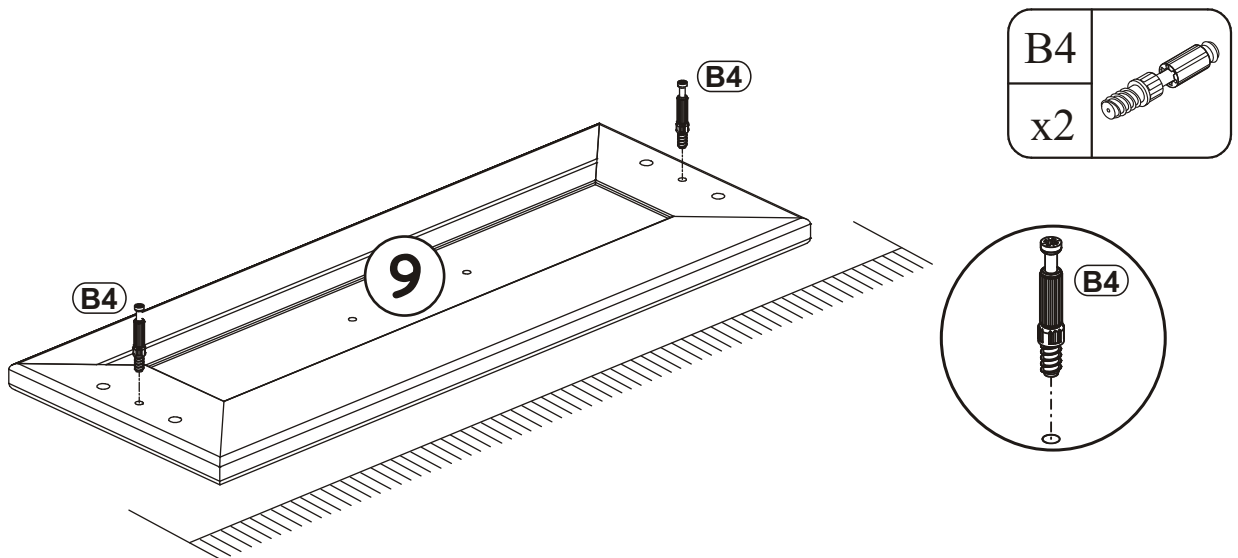


A1		B5		B4	
x12	ø8x36	x10	ø15x12	x4	

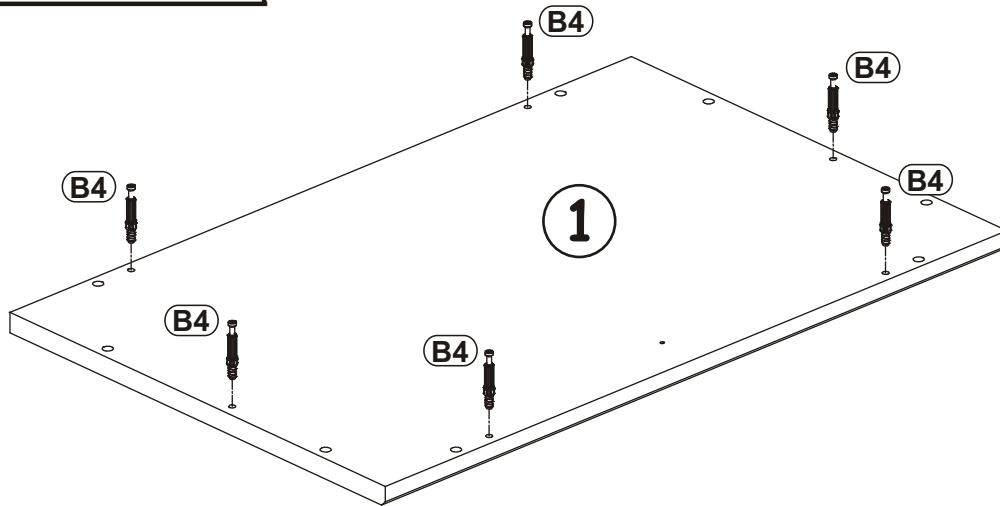
4

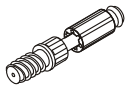


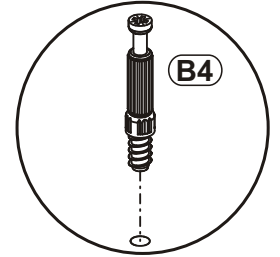
5



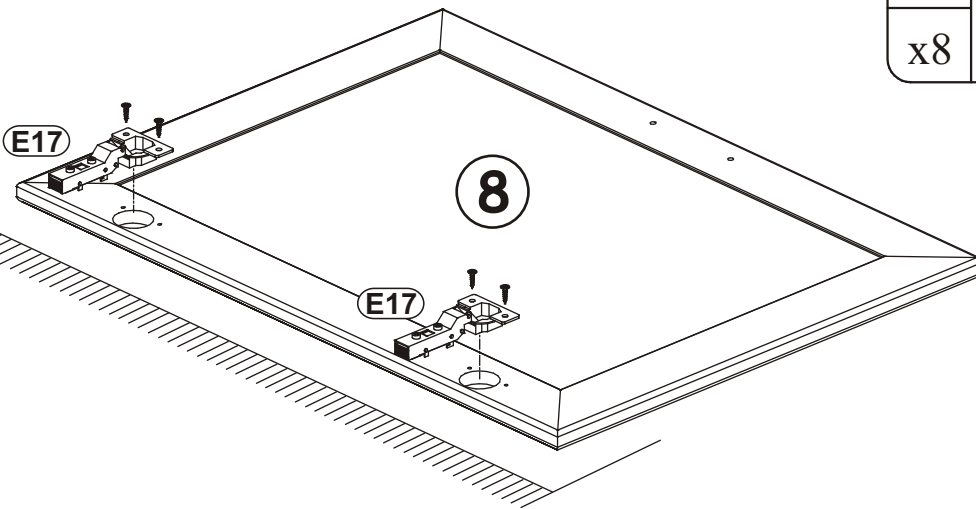
6




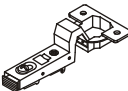
B4	
x6	

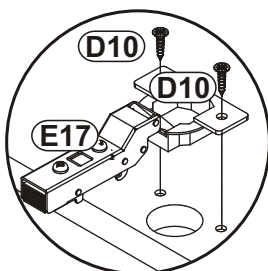
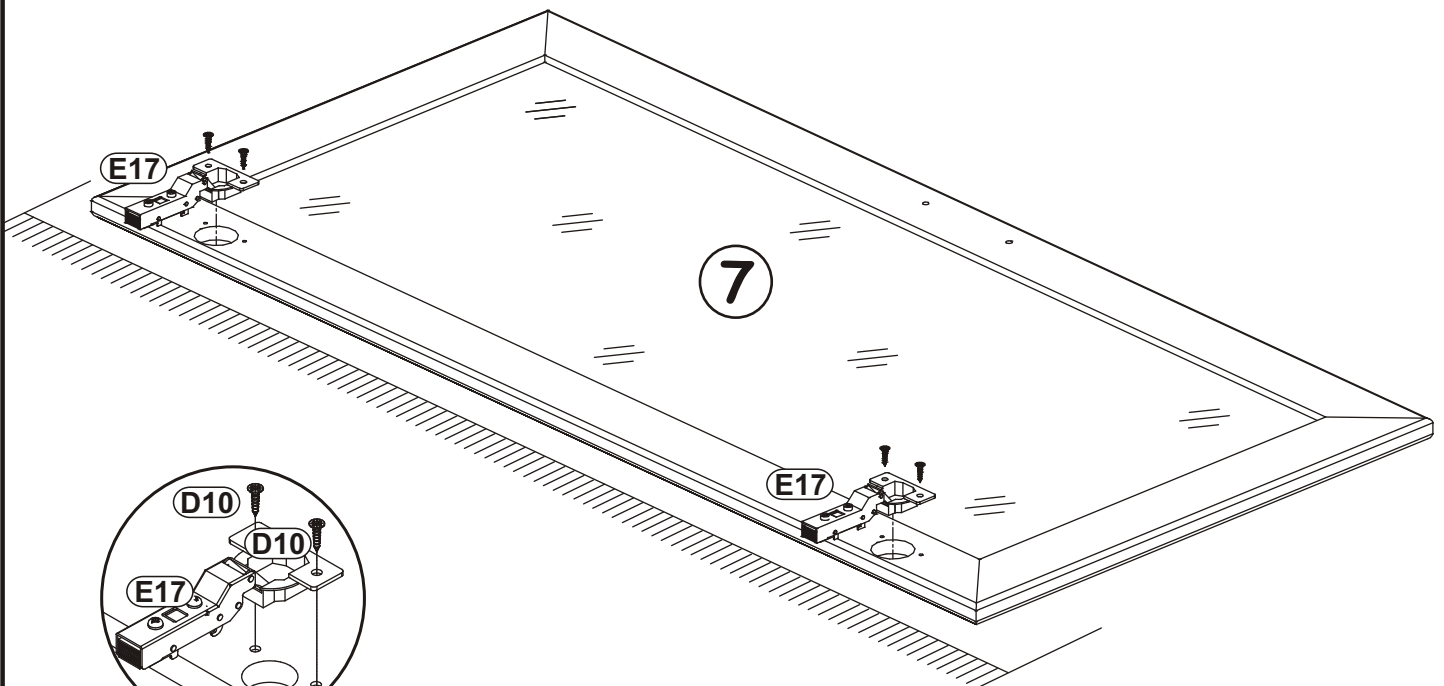


7

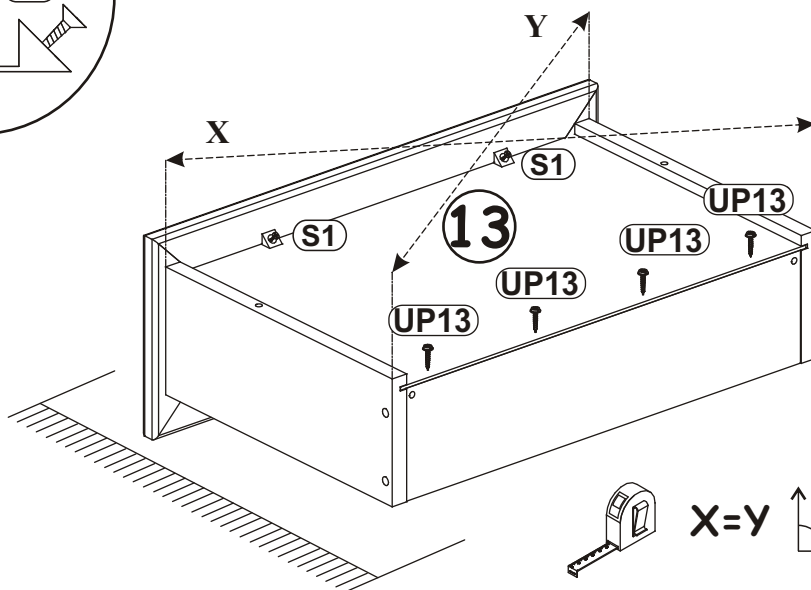
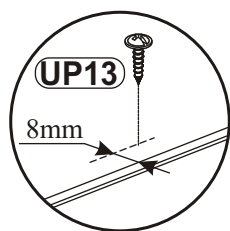
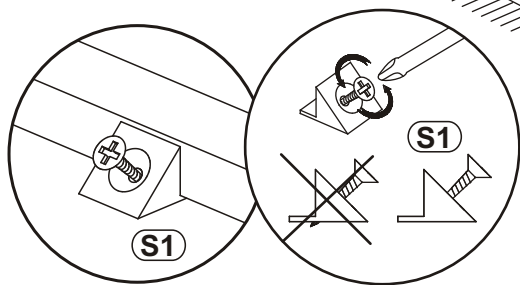
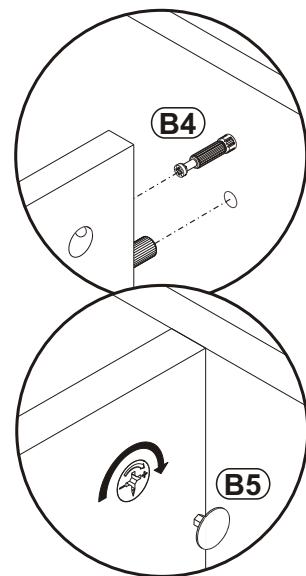
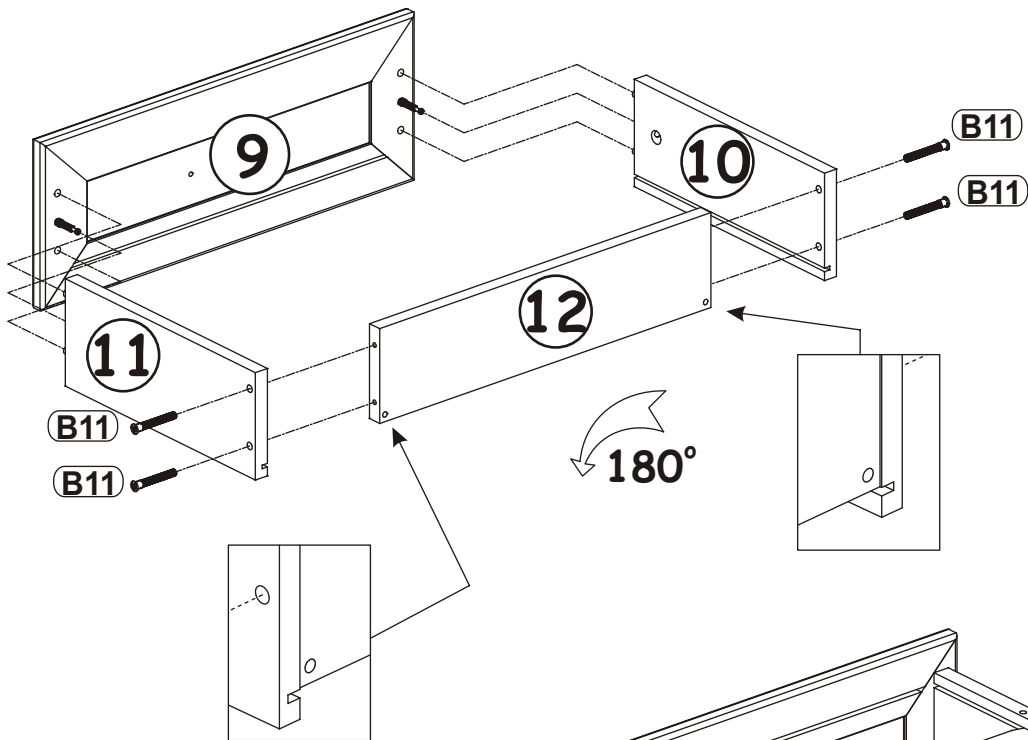
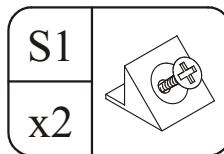
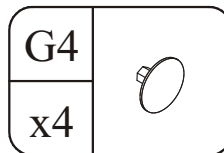
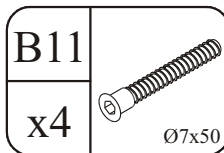
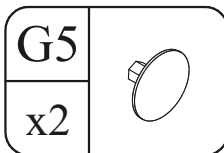
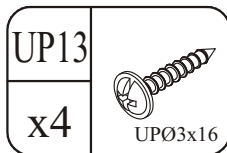
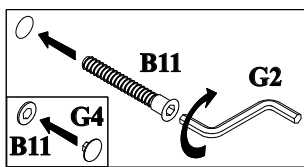


D10	
x8	USØ3,5x13

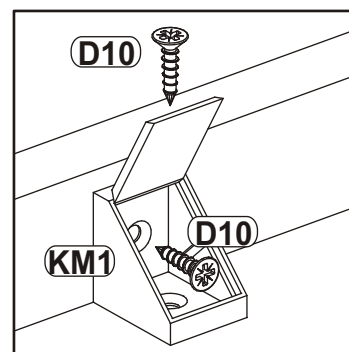
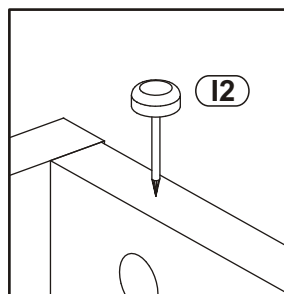
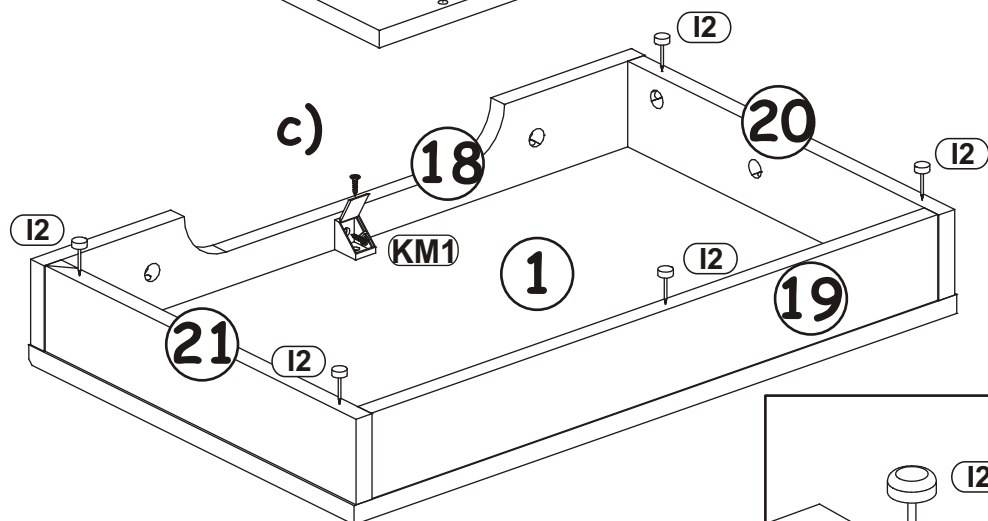
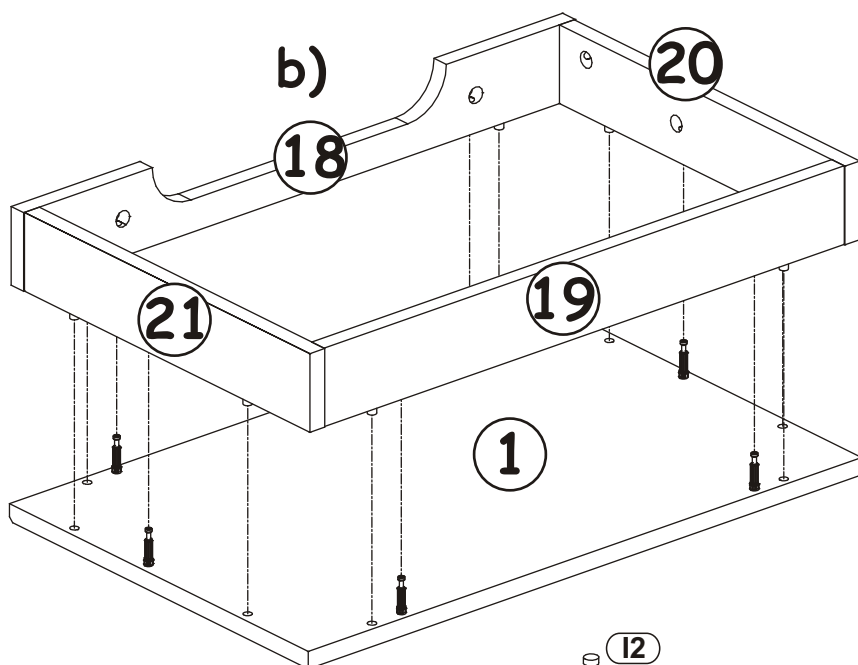
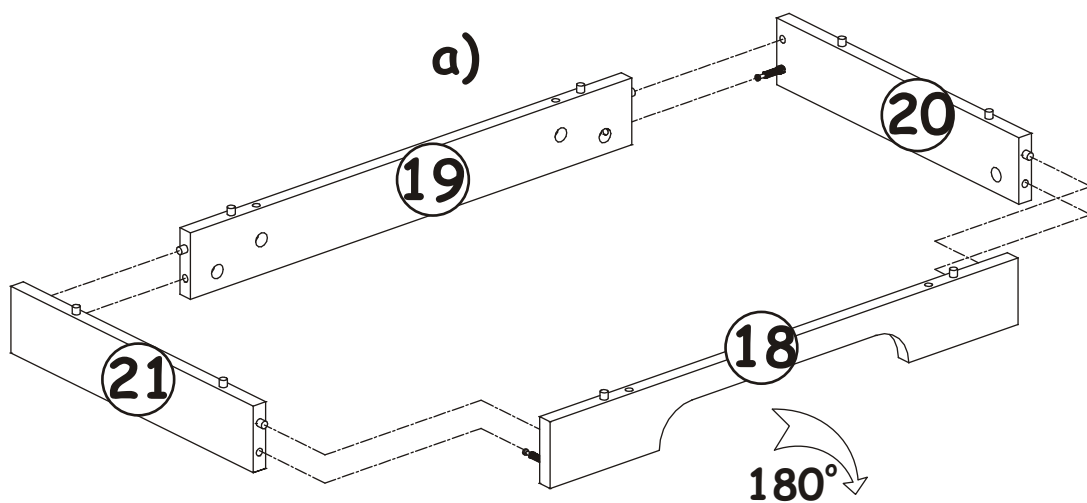
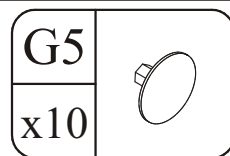
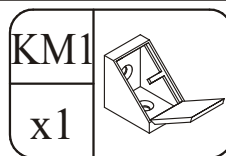
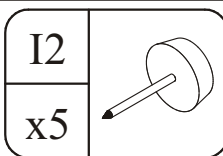
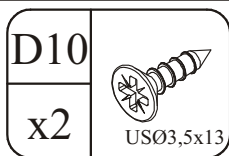
E17	
x4	H=16



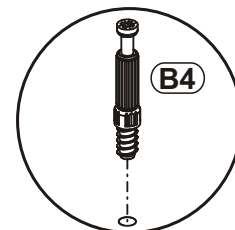
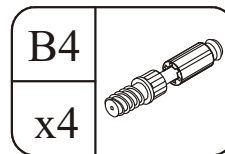
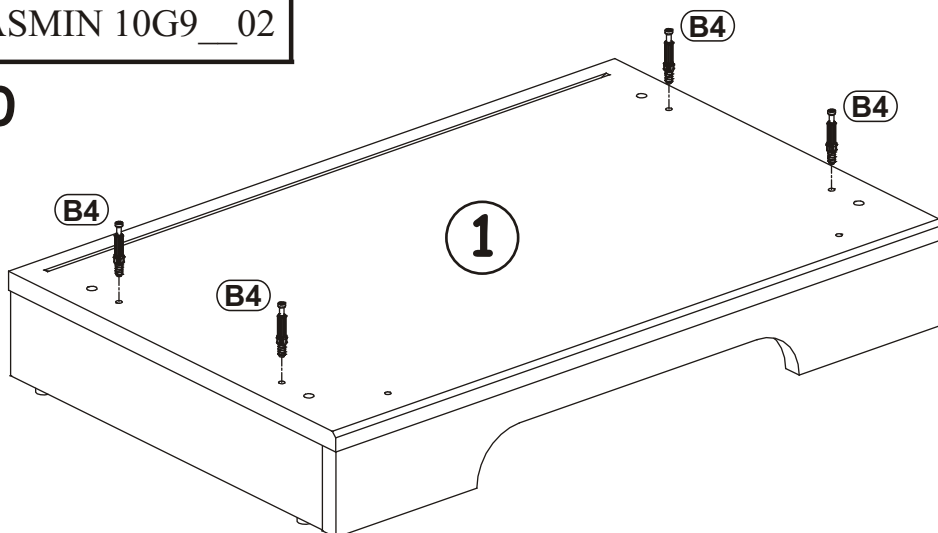
8



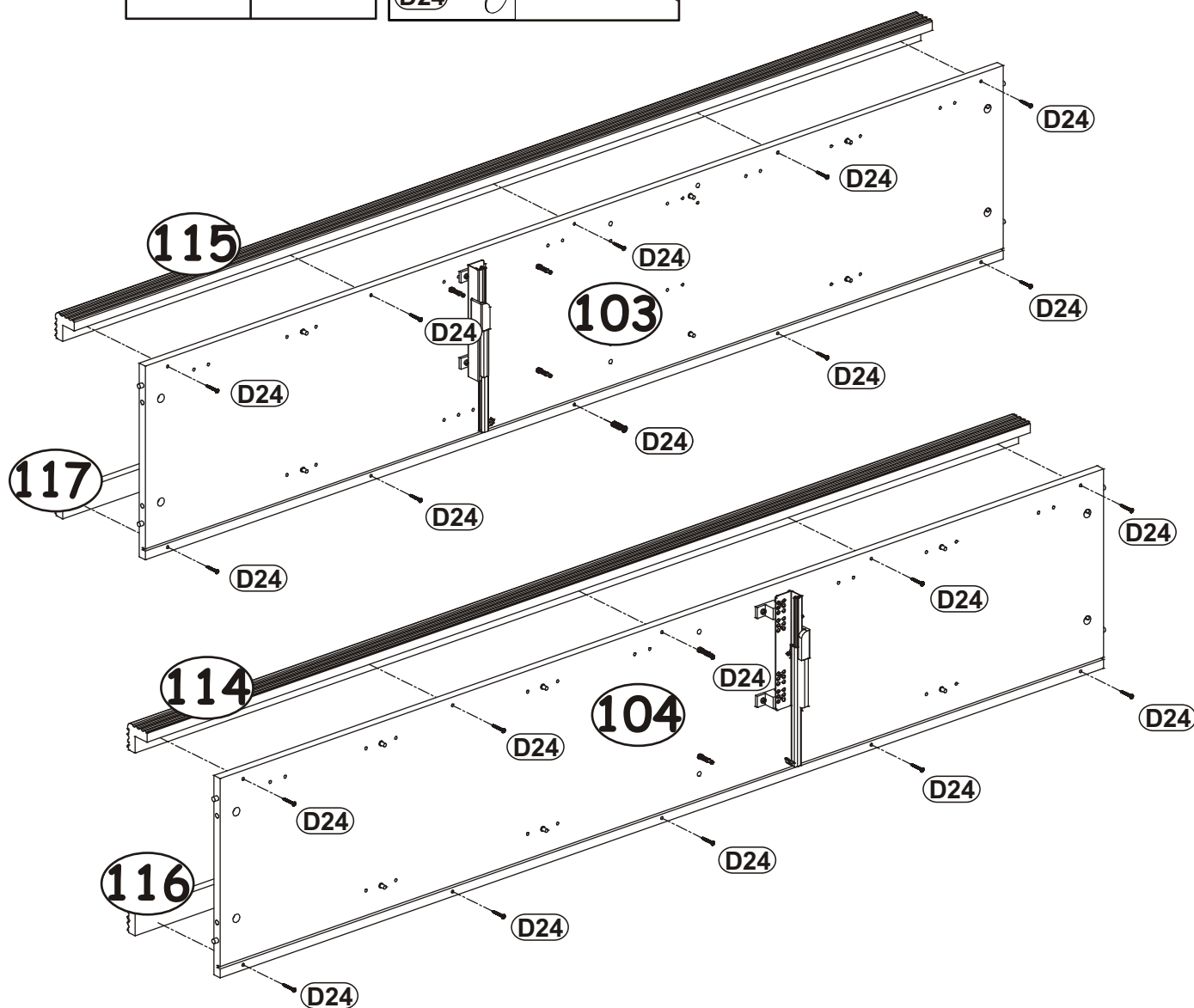
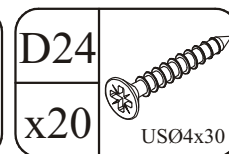
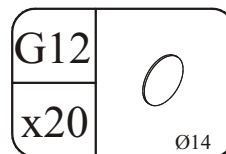
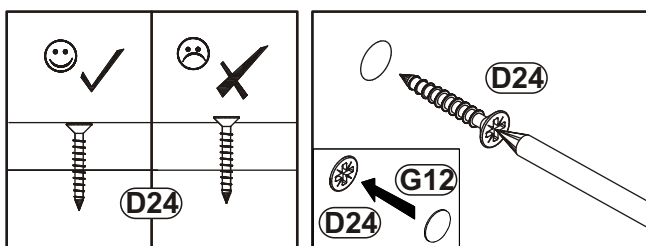
9

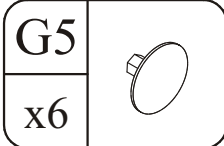


10

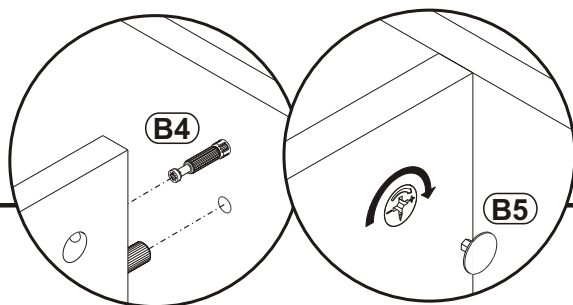
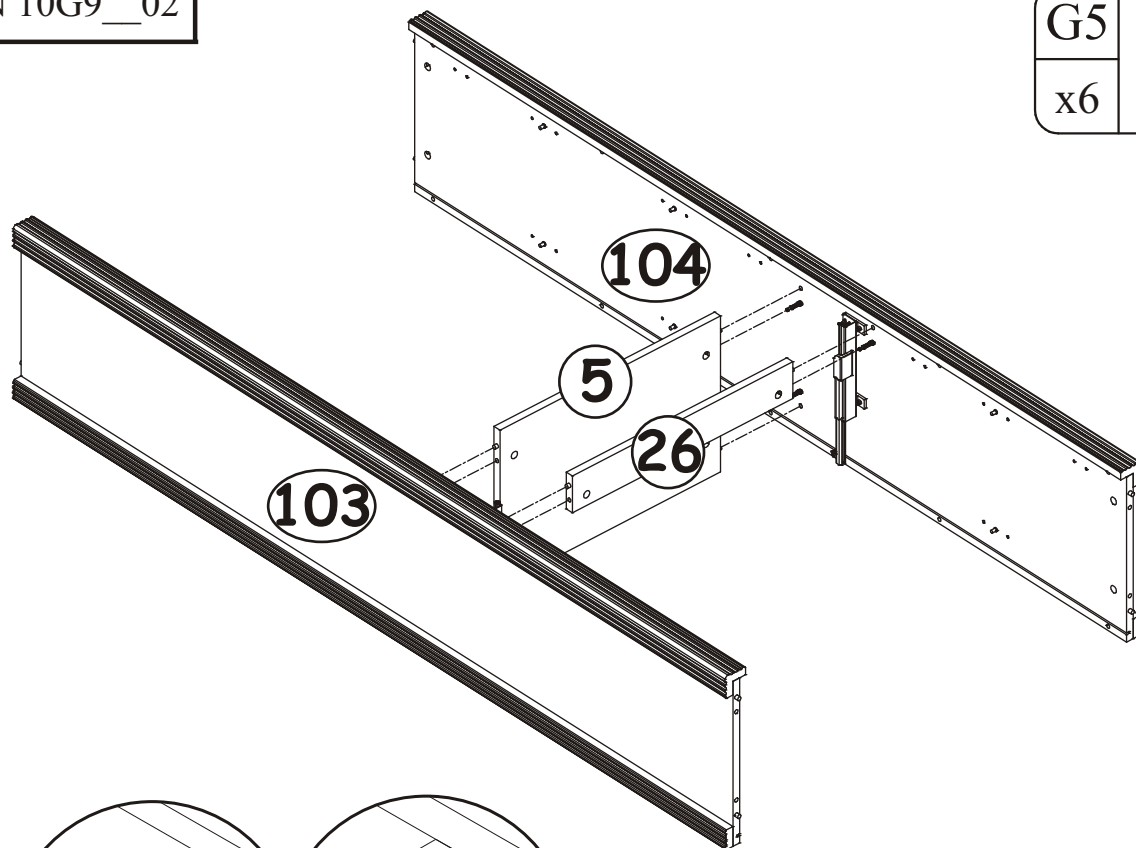


11

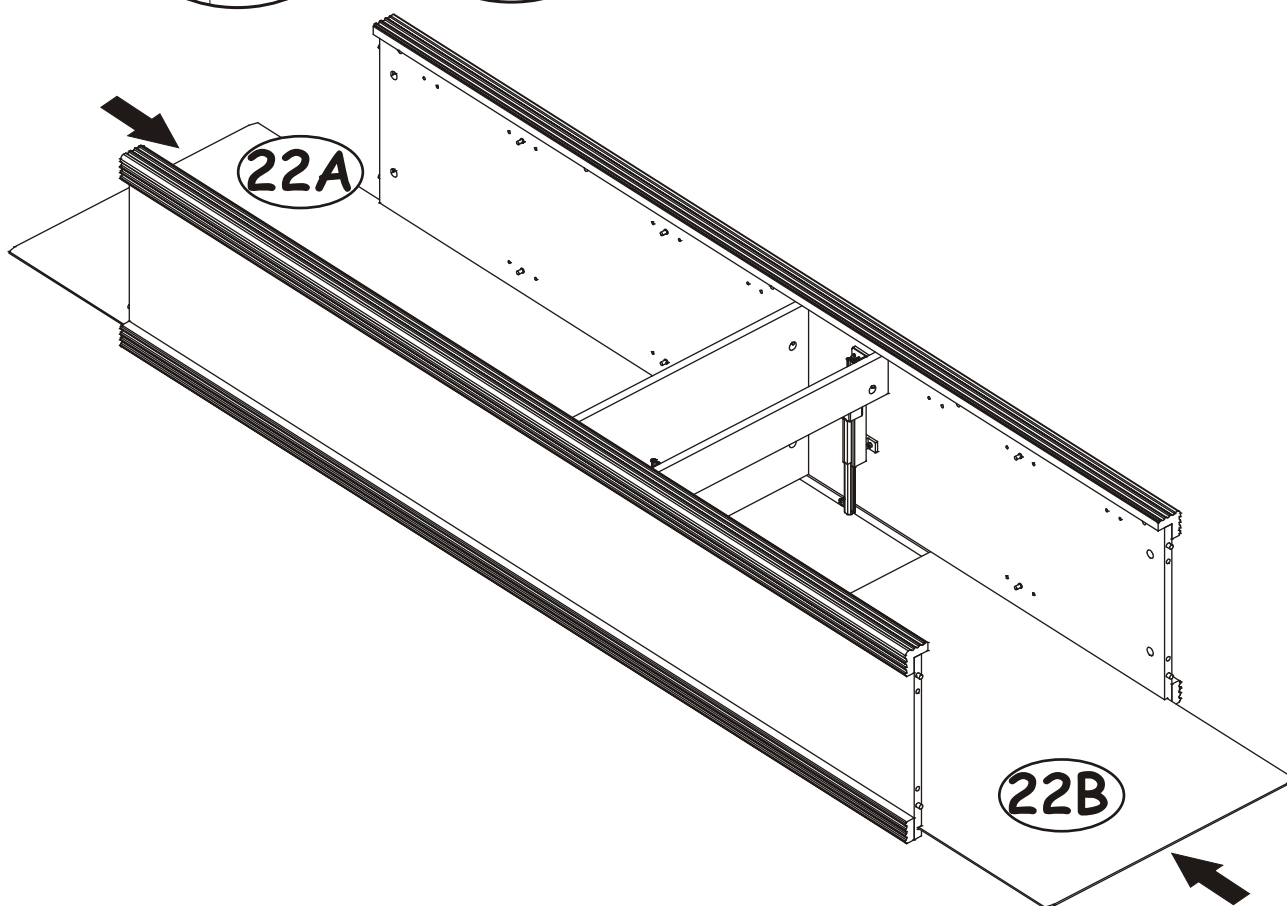





12

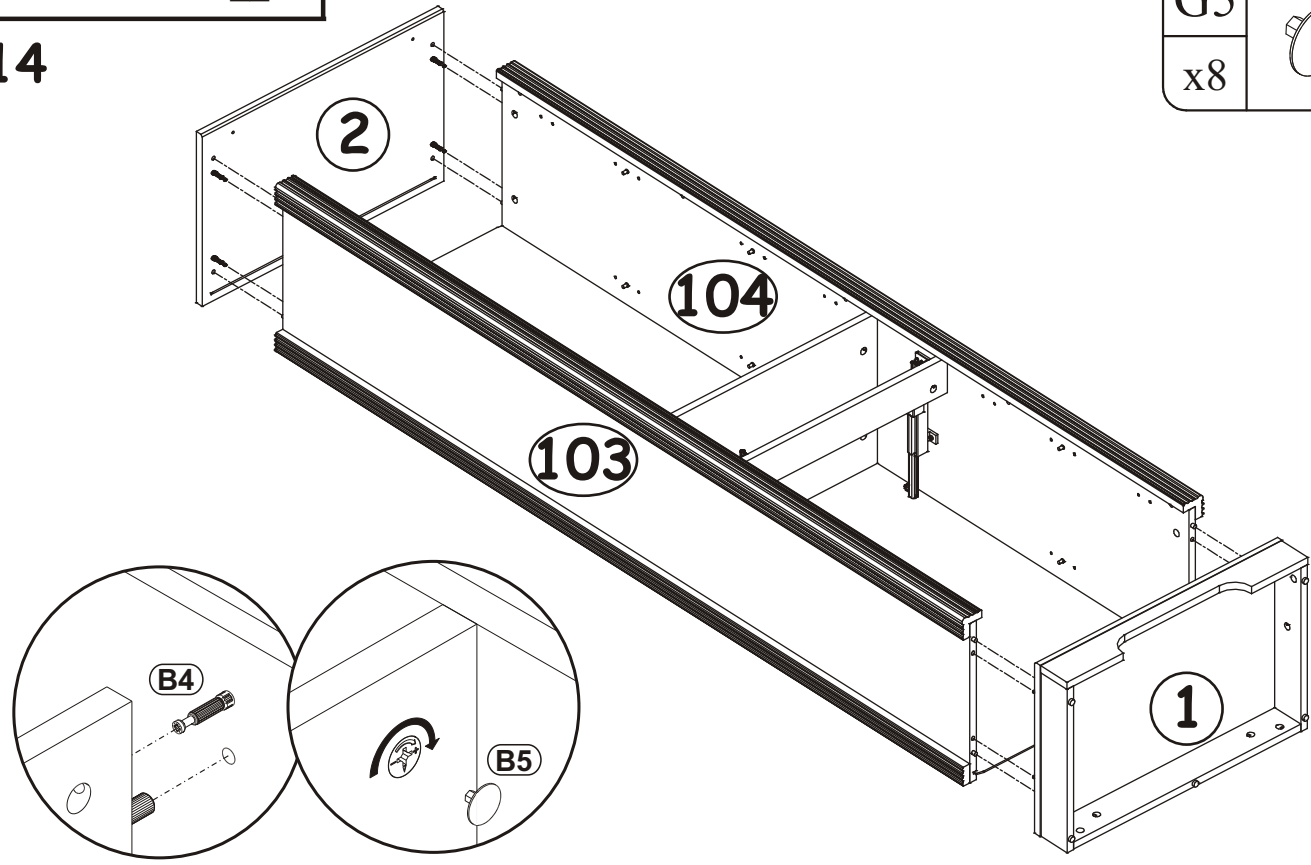


13



14


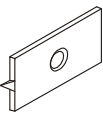
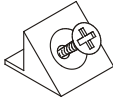
G5	
x8	

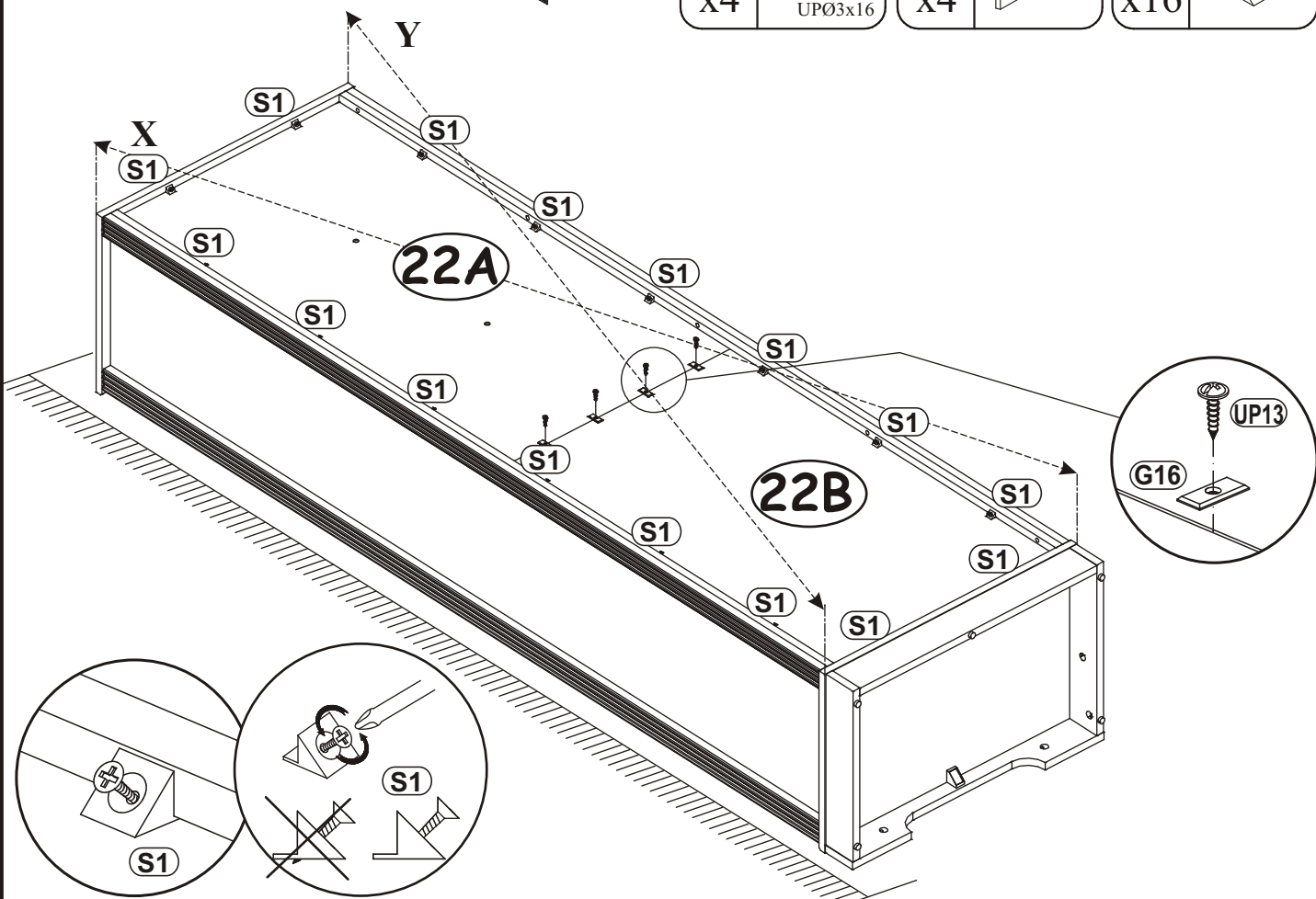


15

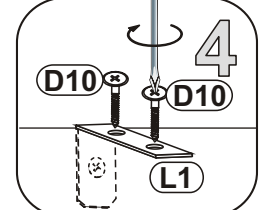
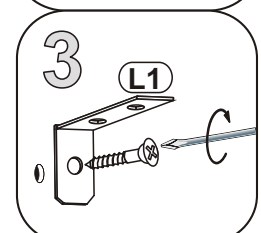
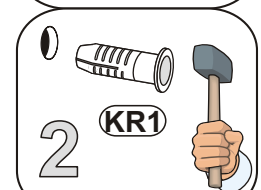
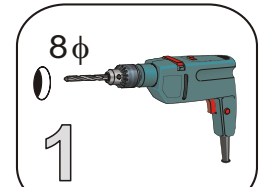
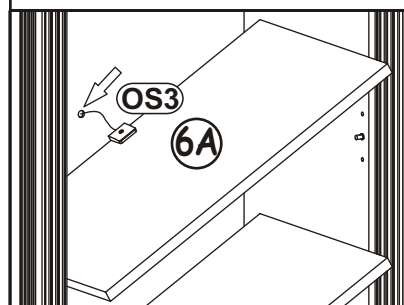
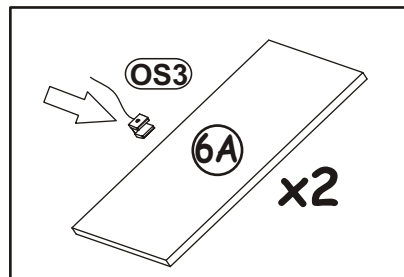
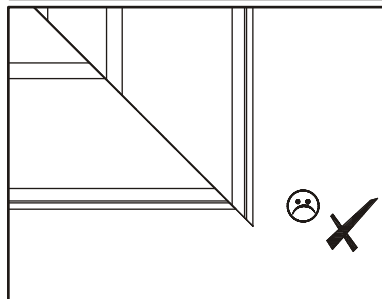
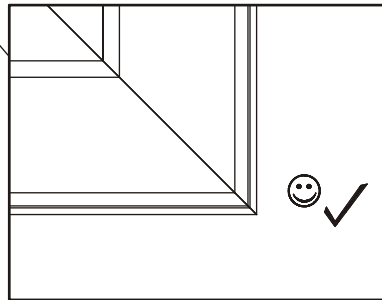
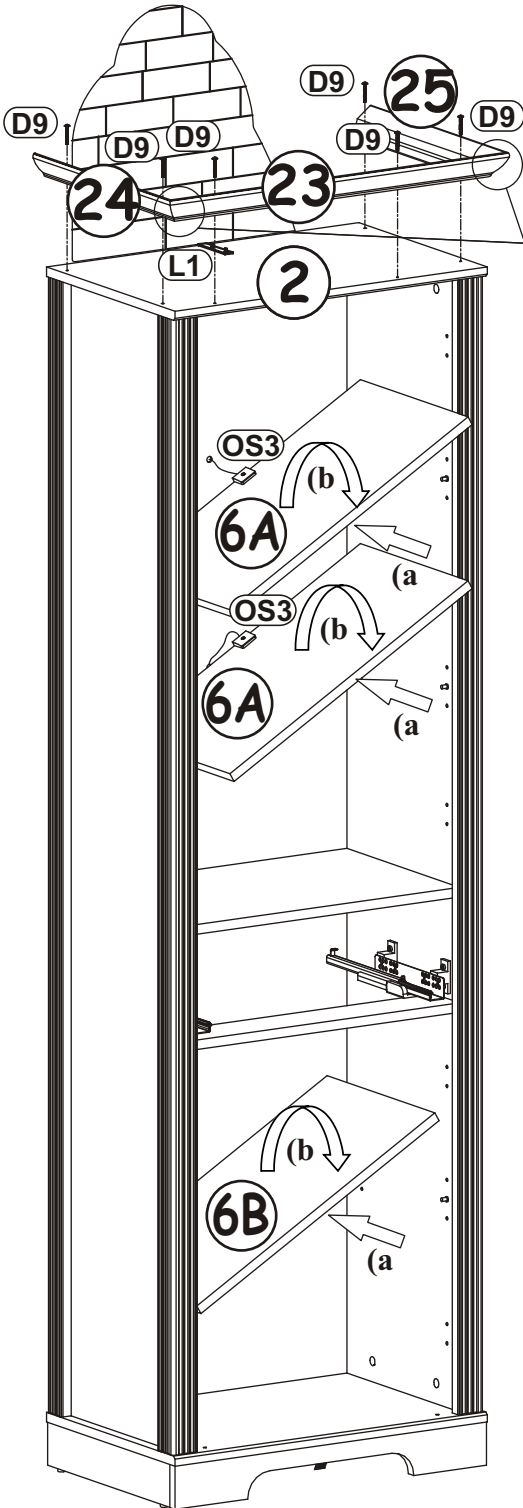
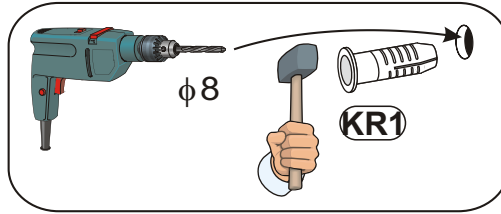
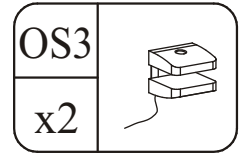
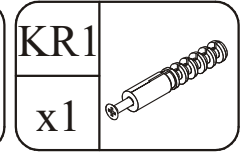
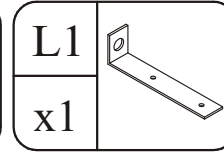
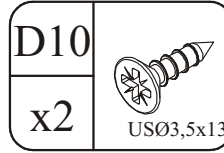
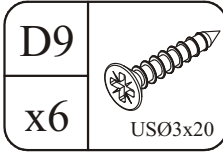
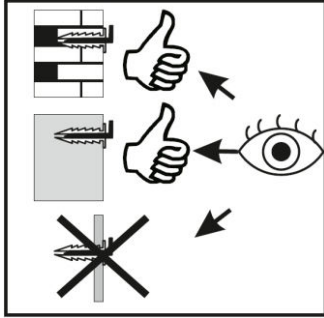
$X=Y$ 90°



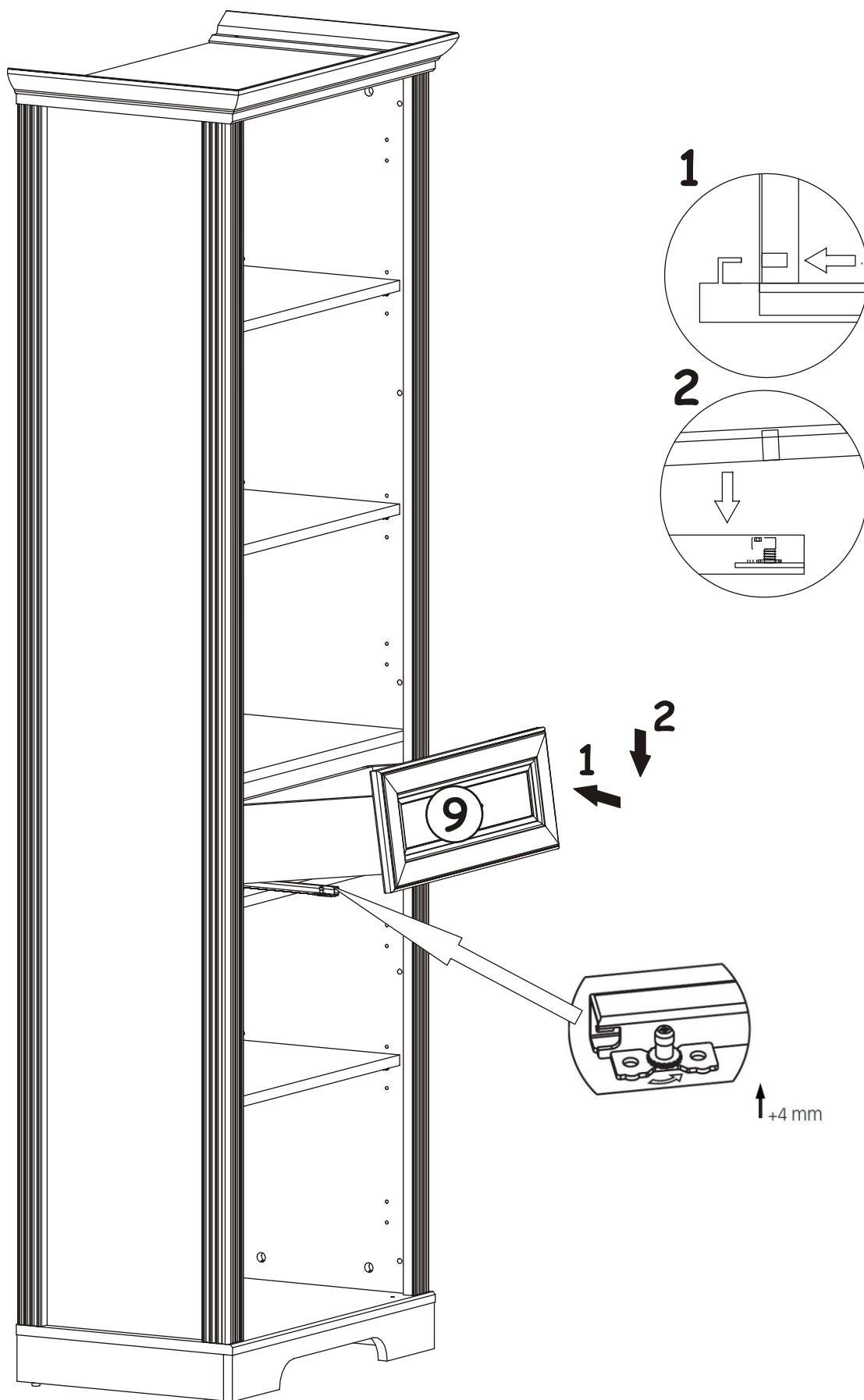
UP13		G16		S1	
x4	UPØ3x16	x4		x16	



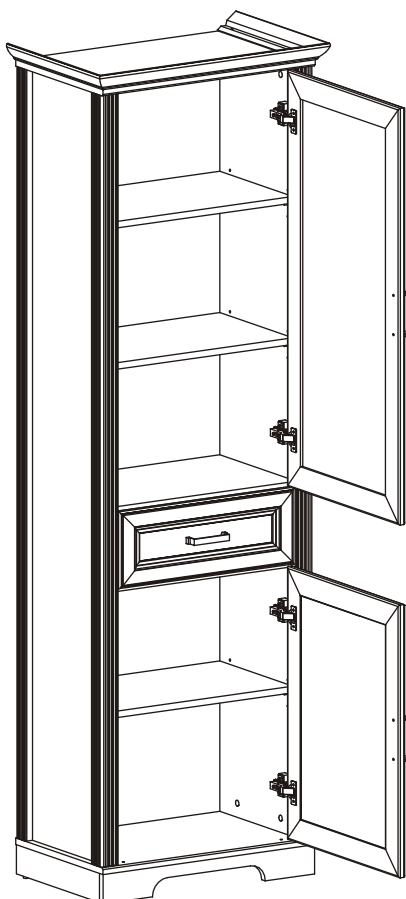
16



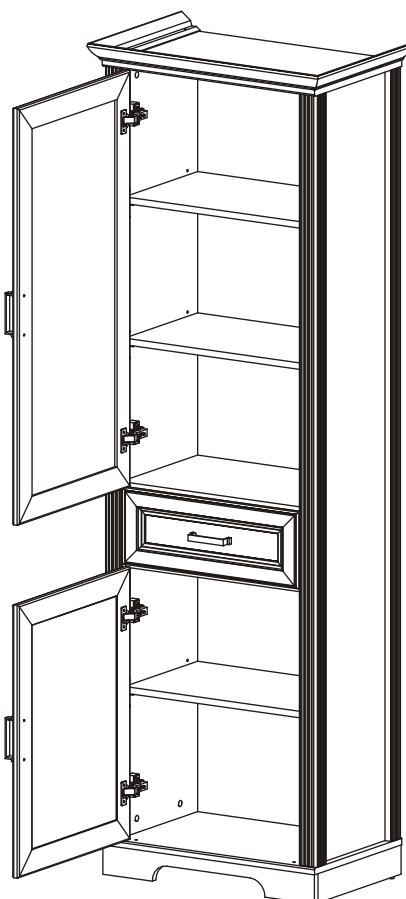
17



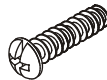
18 - 21

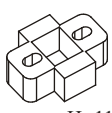


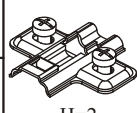
22 - 25

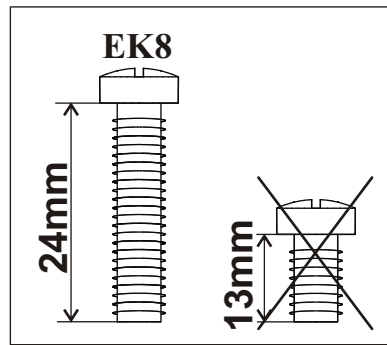
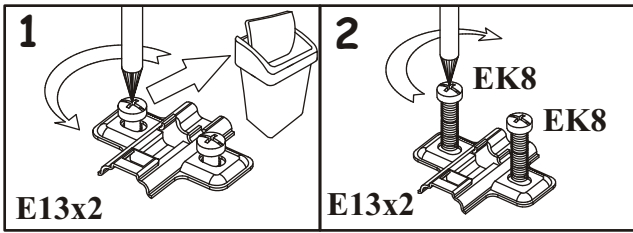



18

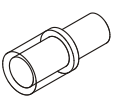
EK8	
x8	EKØ6,3x24

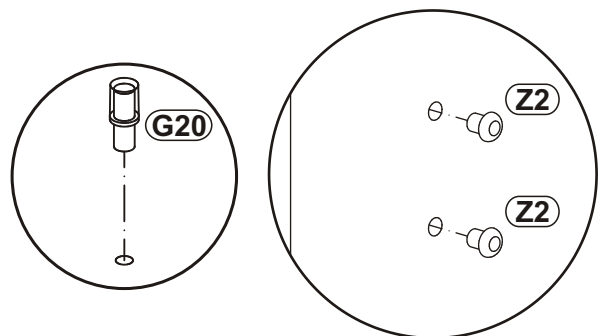
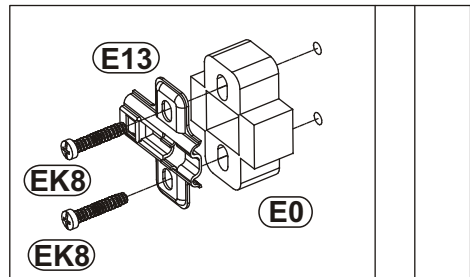
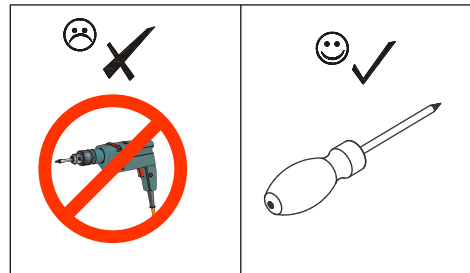
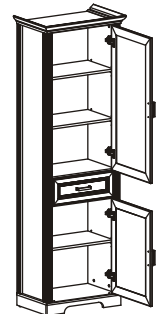
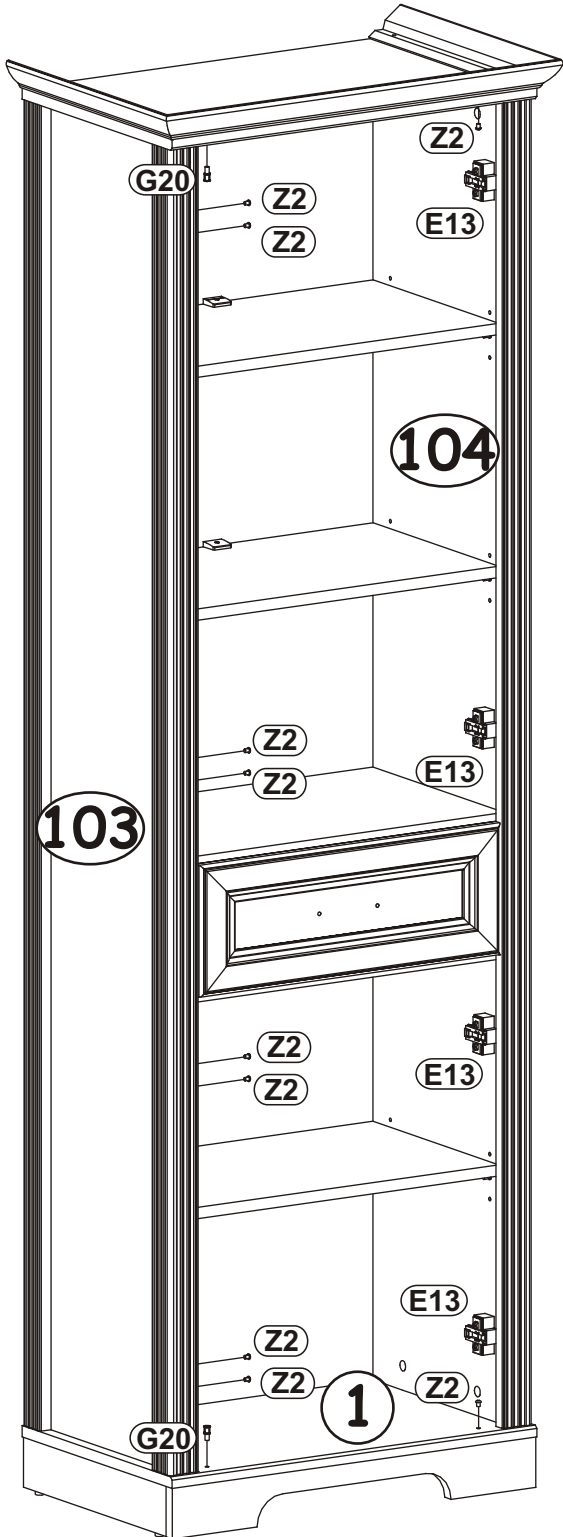
E0	
x4	H=11

E13	
x4	H=2

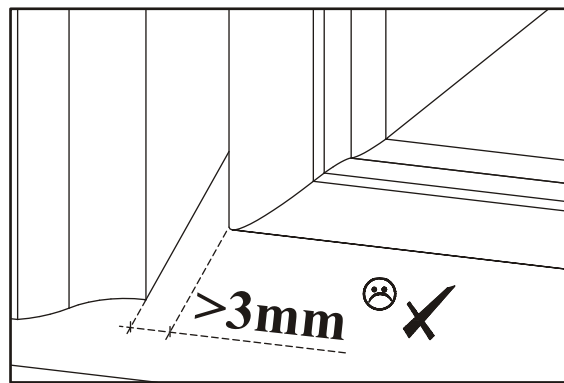
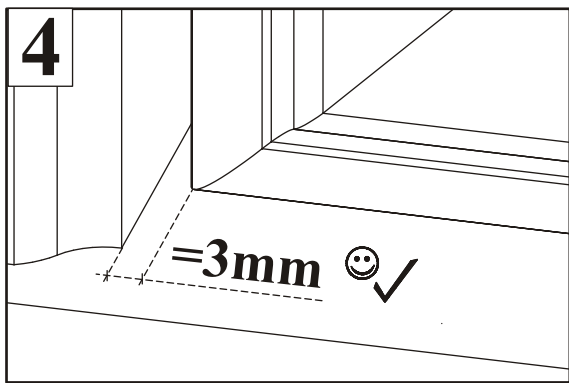
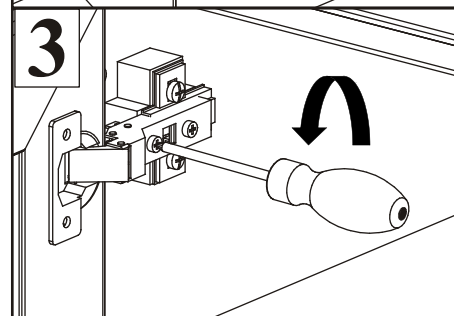
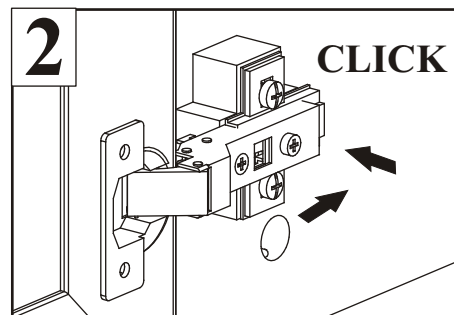
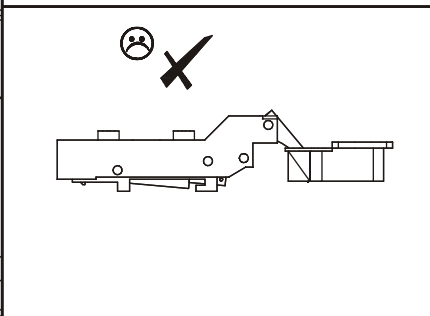
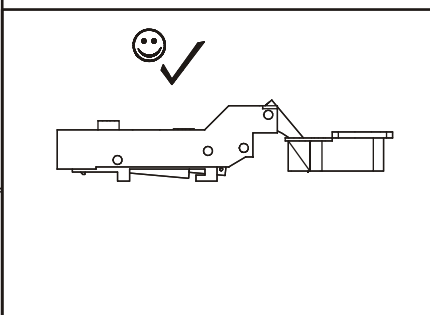
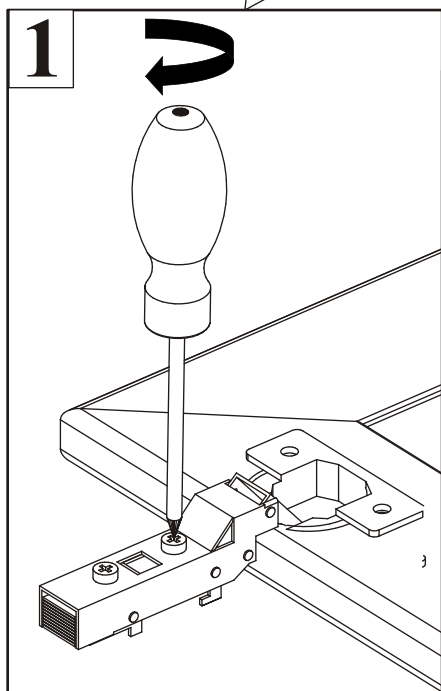
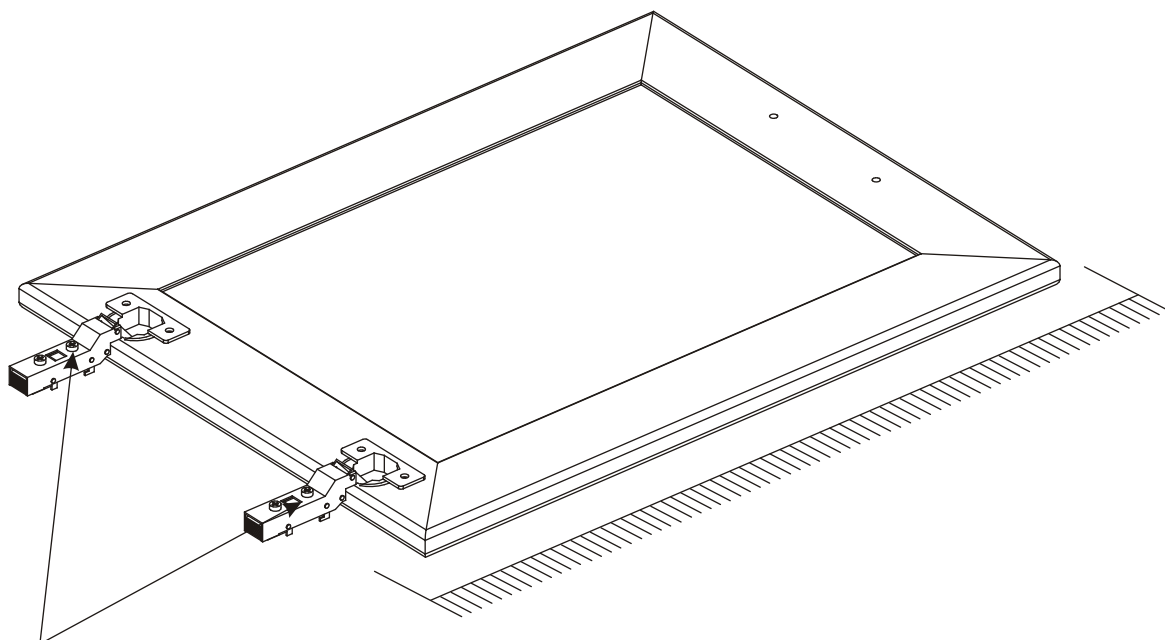


Z2	
x10	Ø5

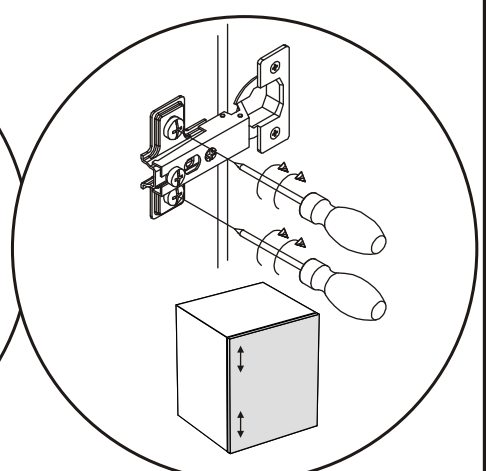
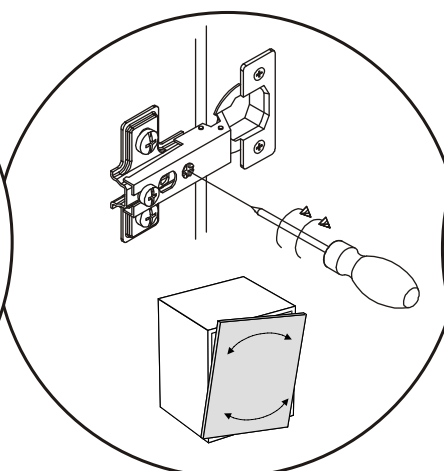
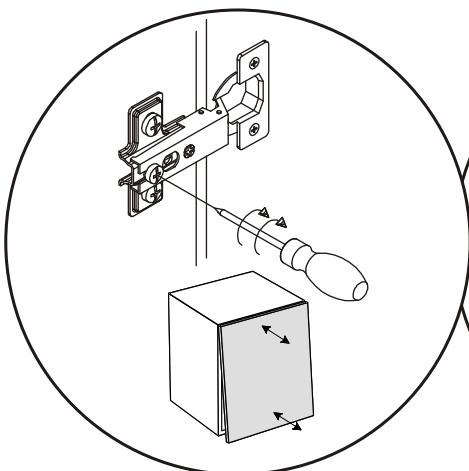
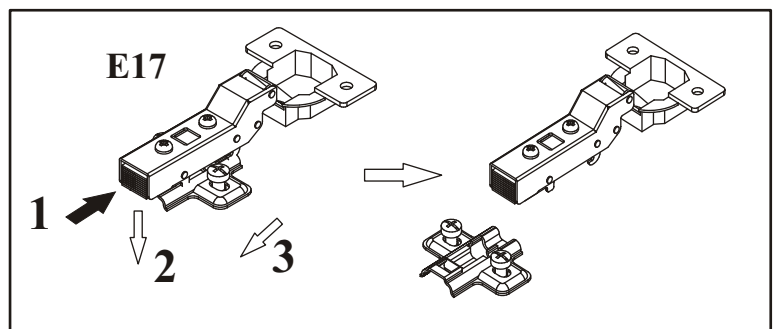
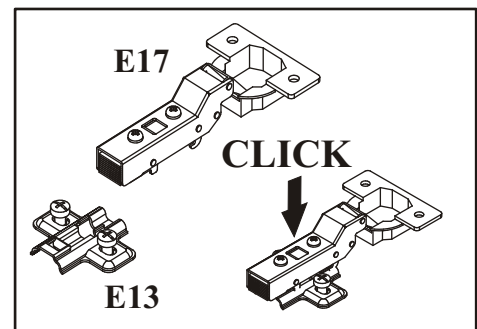
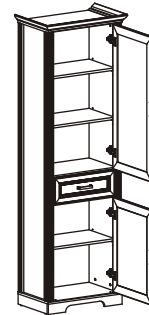
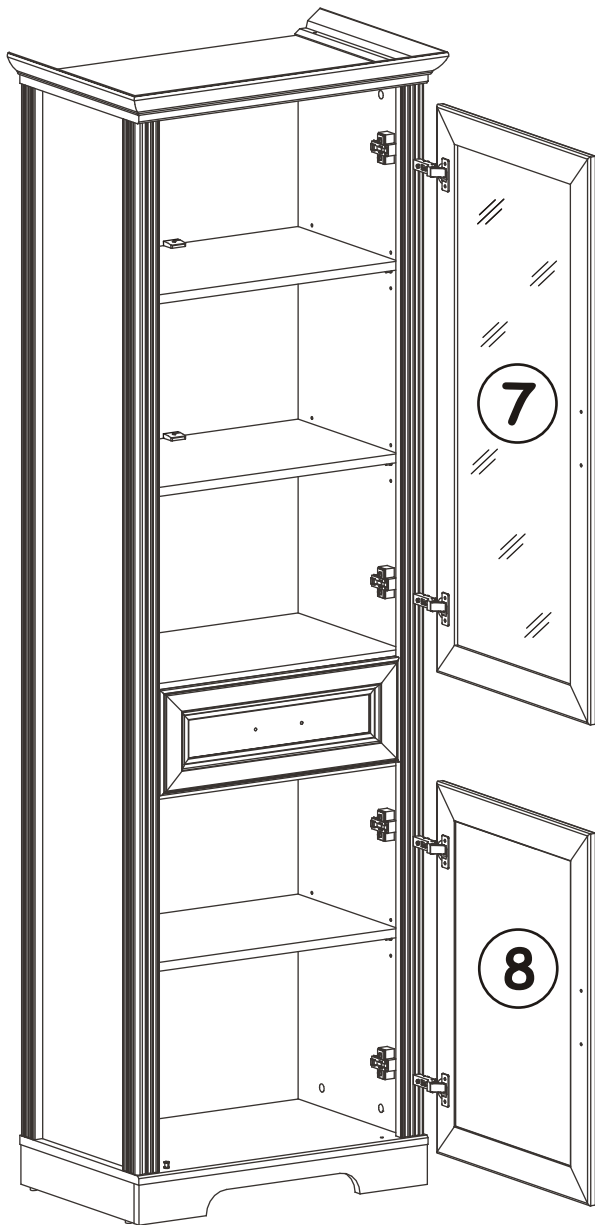
G20	
x2	

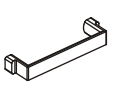


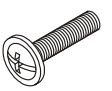
19

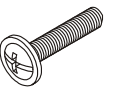


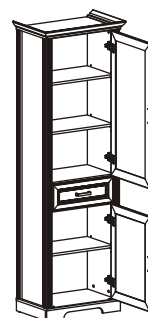
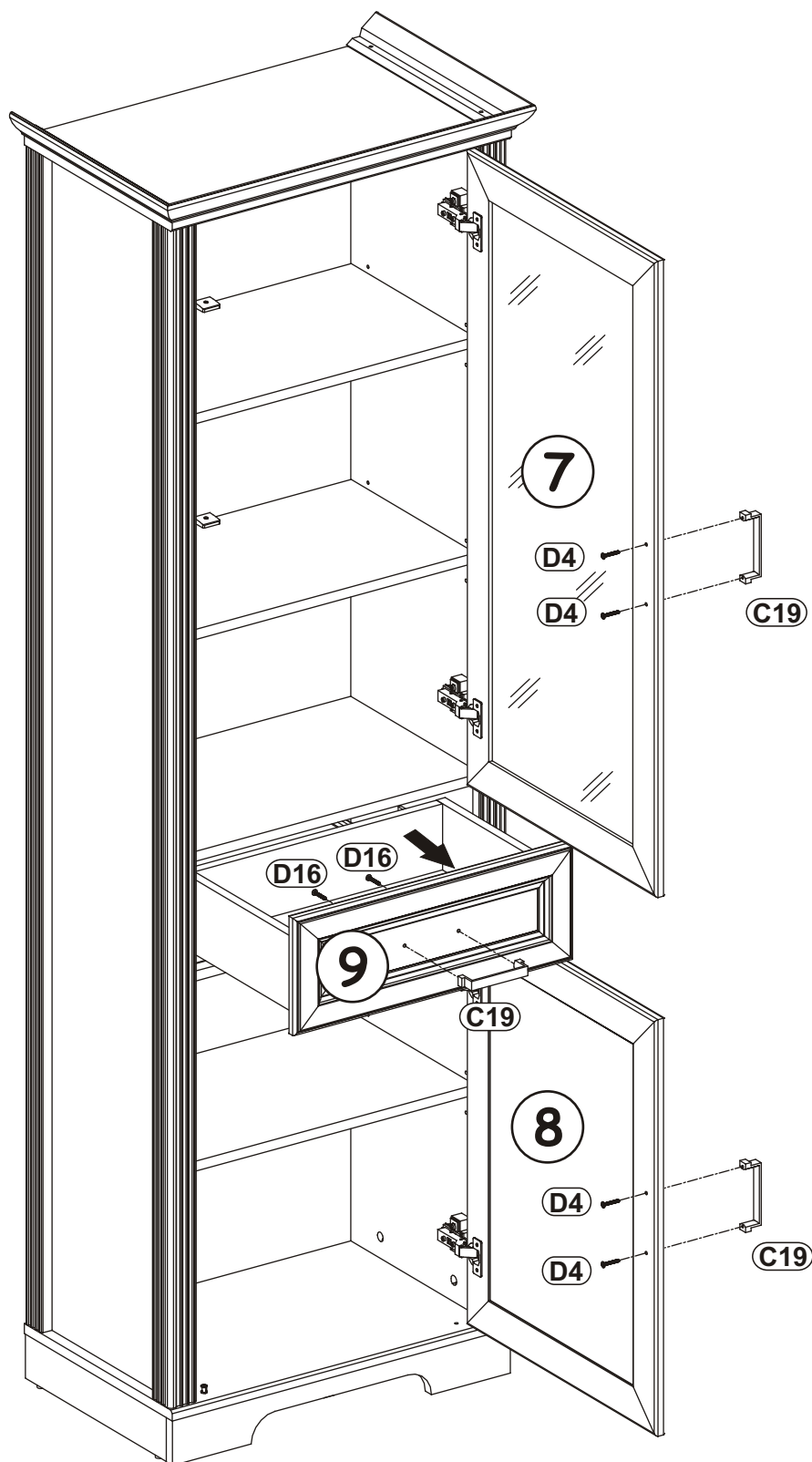
20



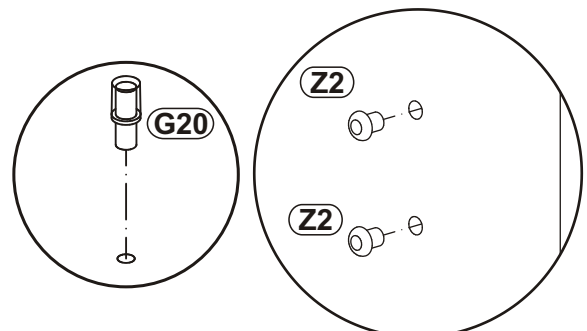
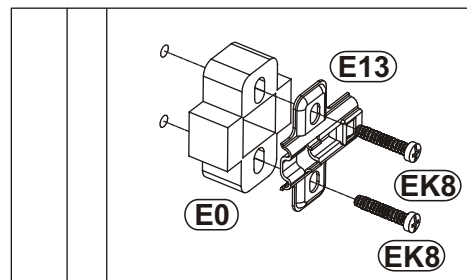
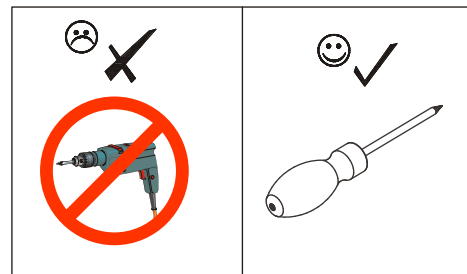
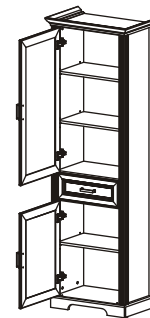
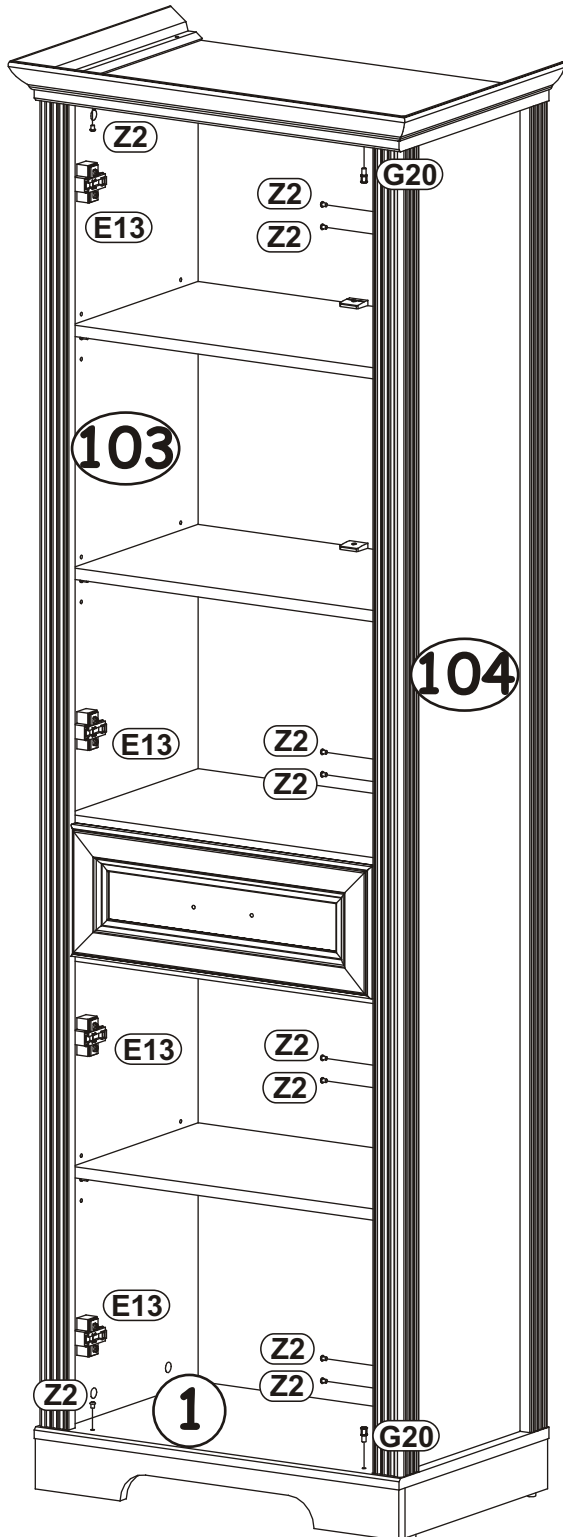
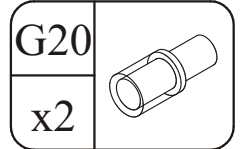
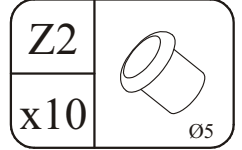
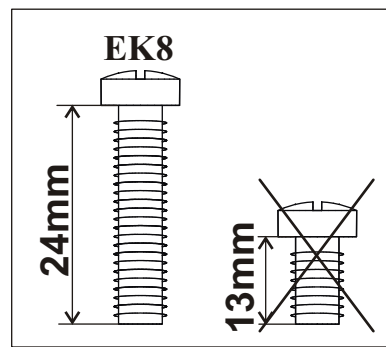
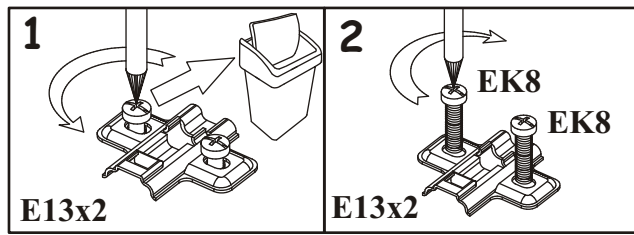
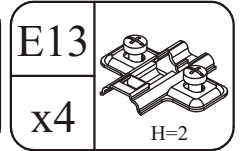
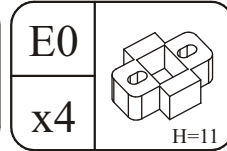
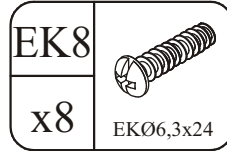
C19	
x3	

D16	
x2	M4x16

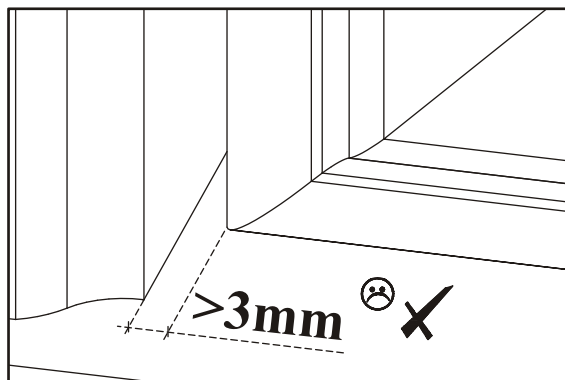
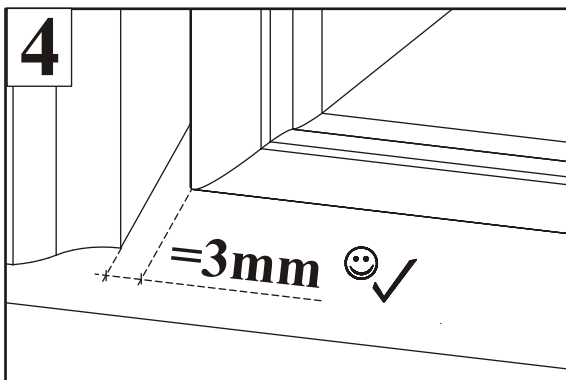
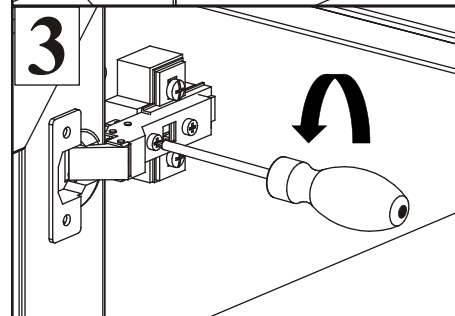
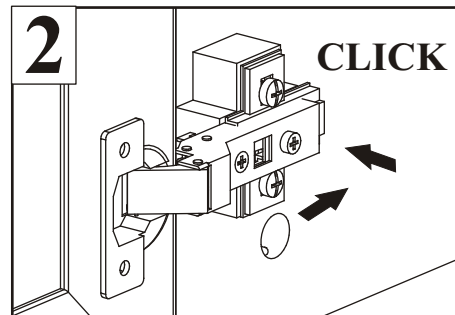
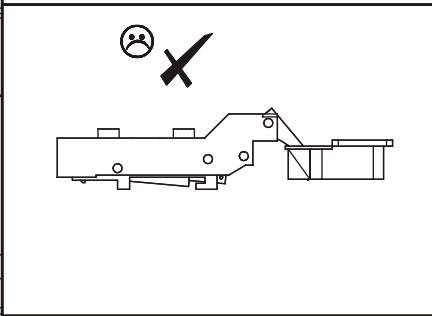
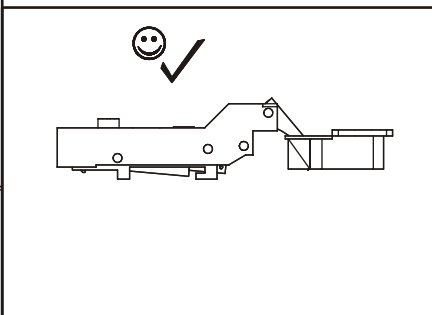
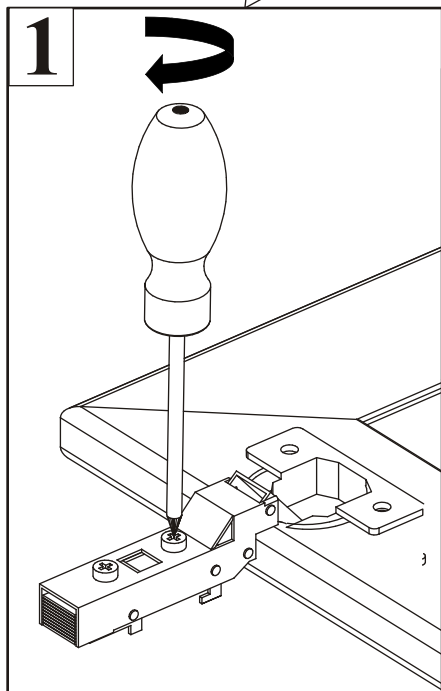
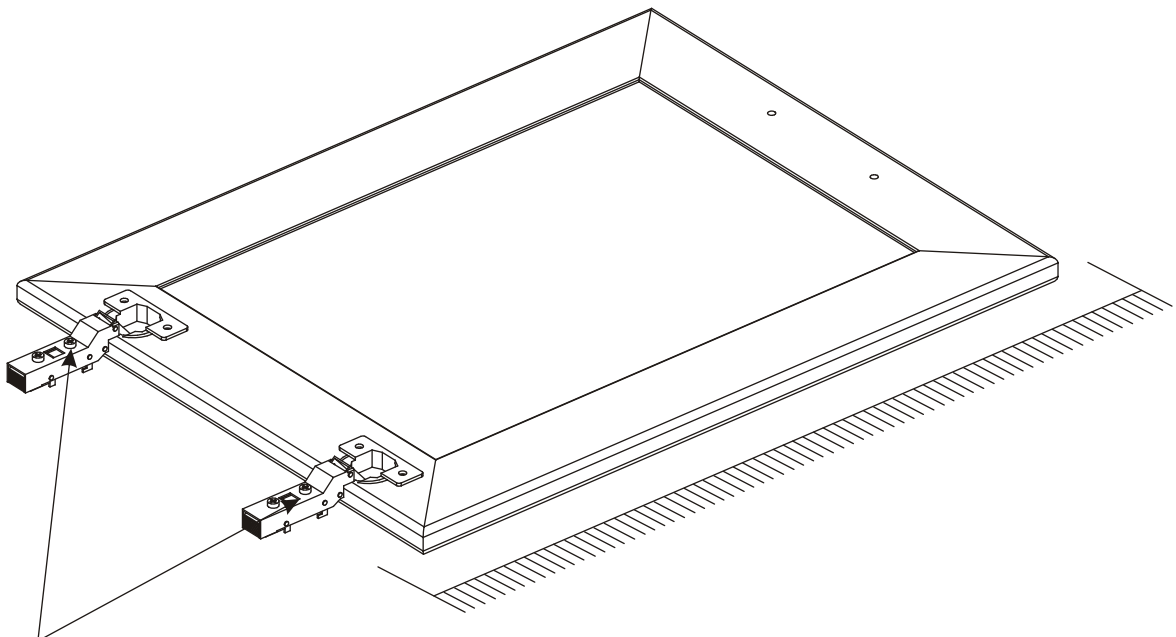
D4	
x4	M4x30



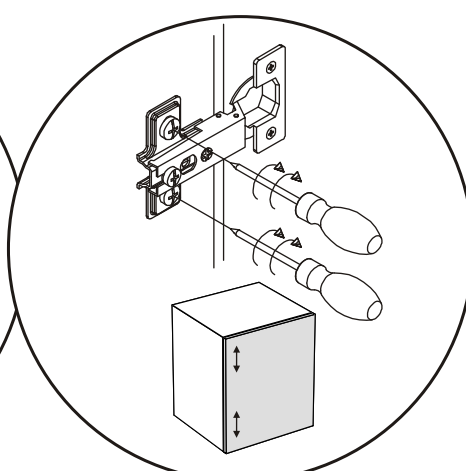
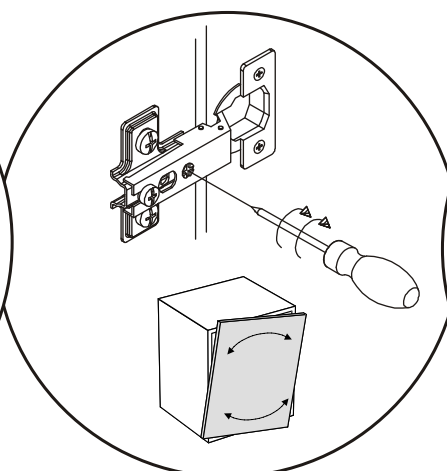
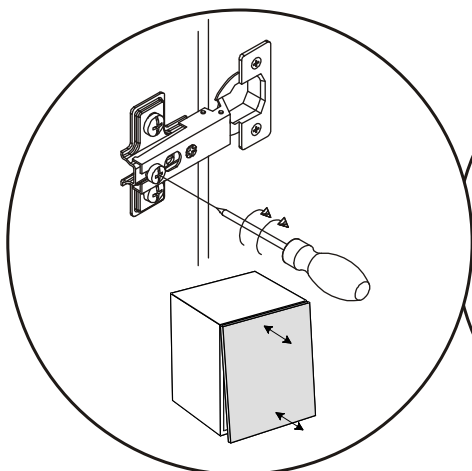
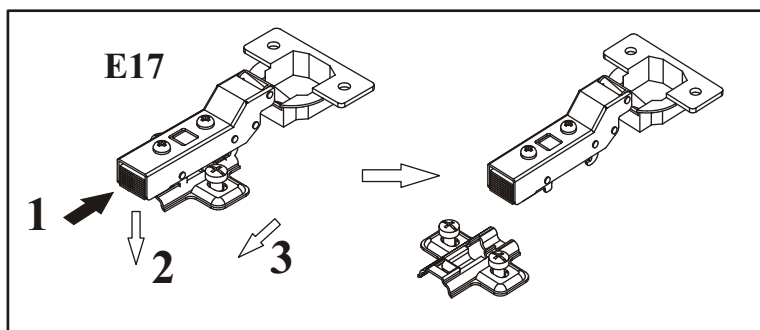
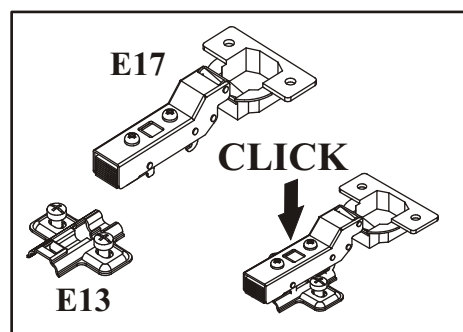
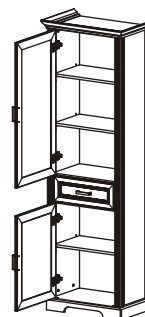
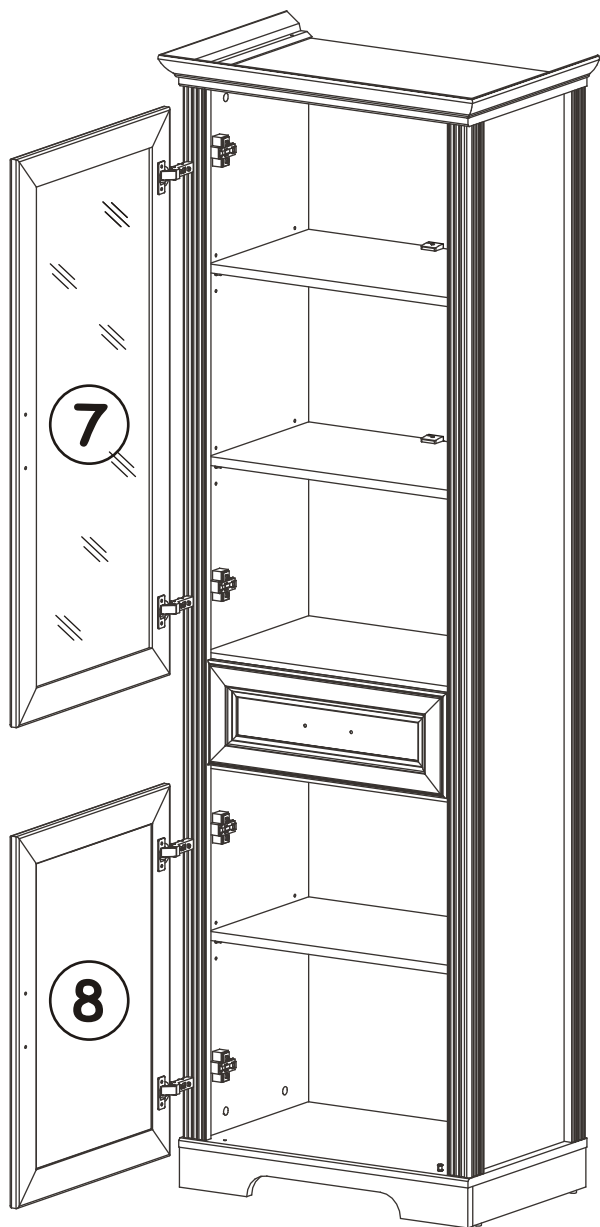
22

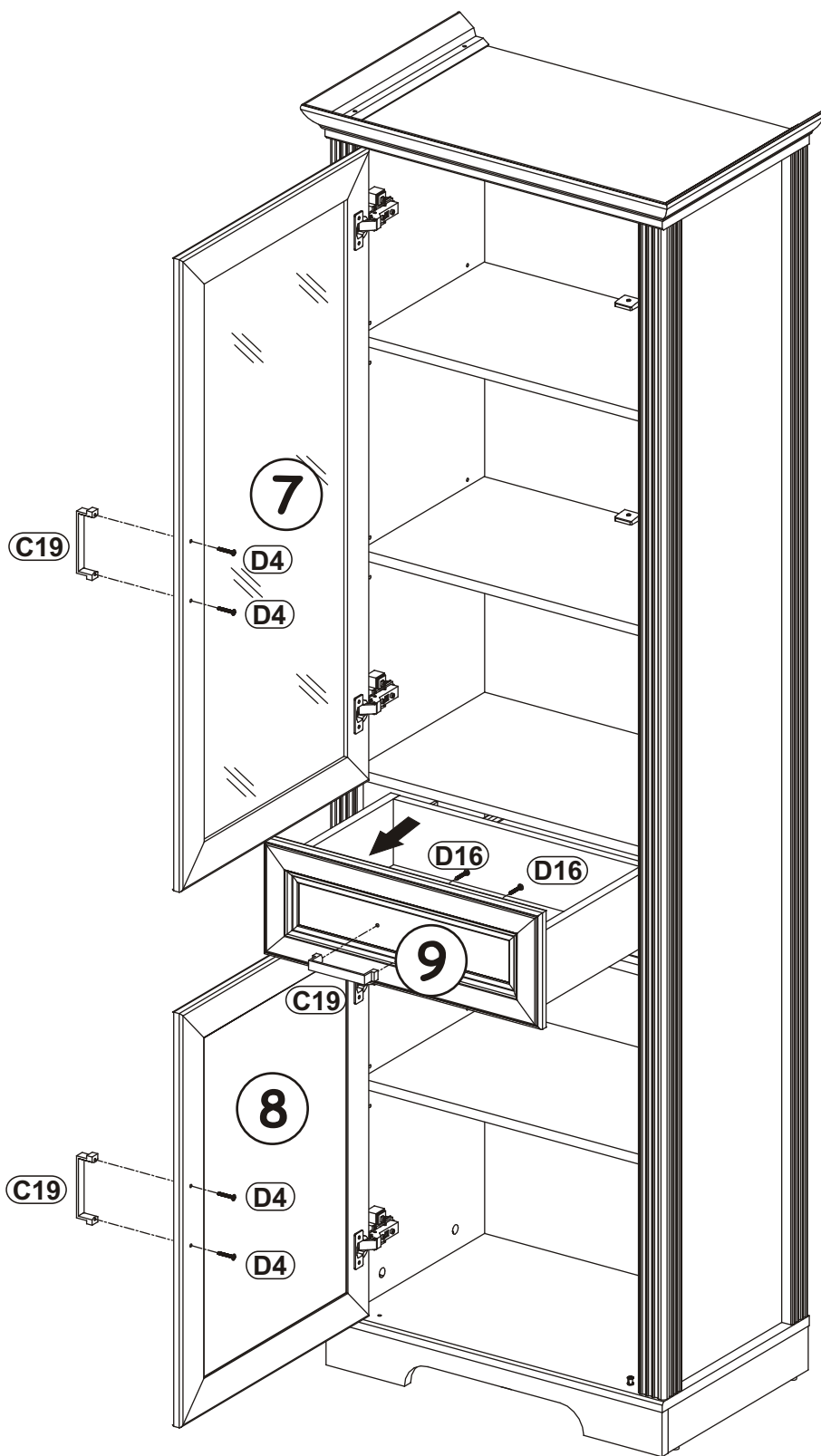
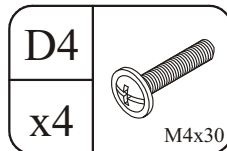
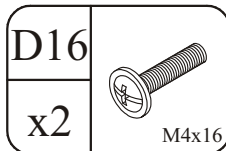
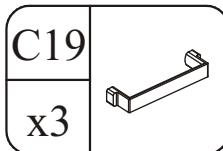


23

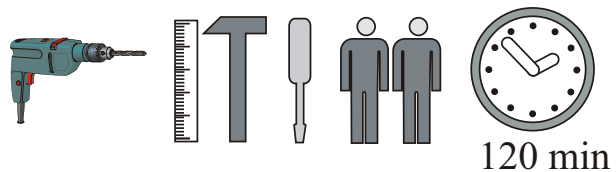
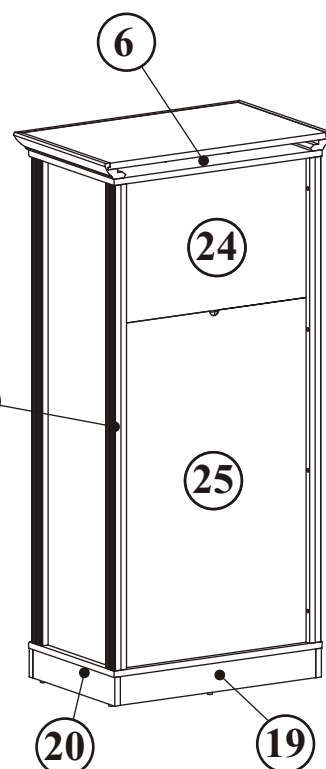
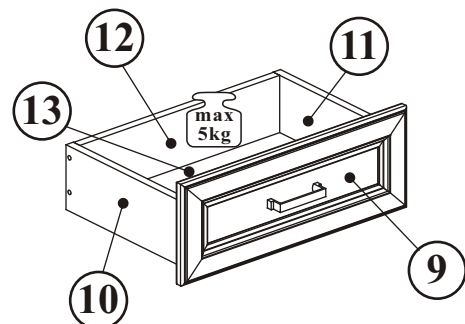
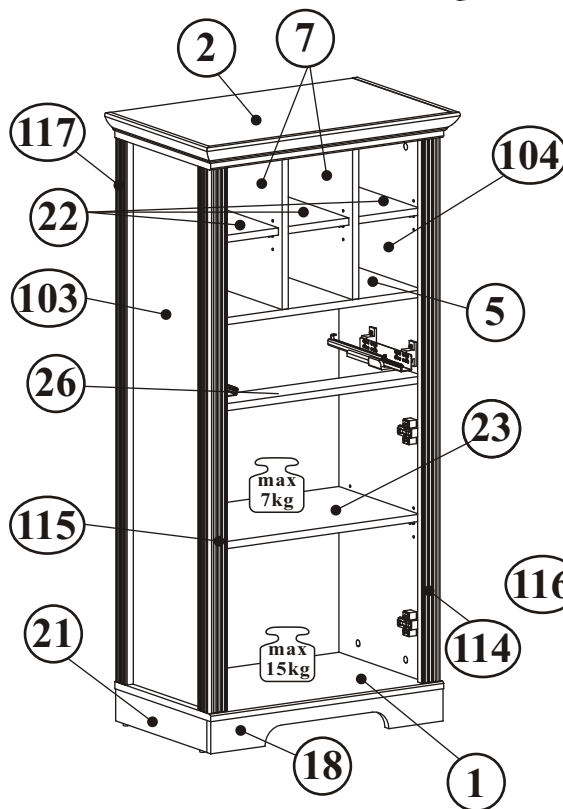
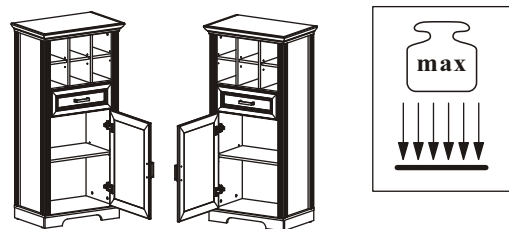
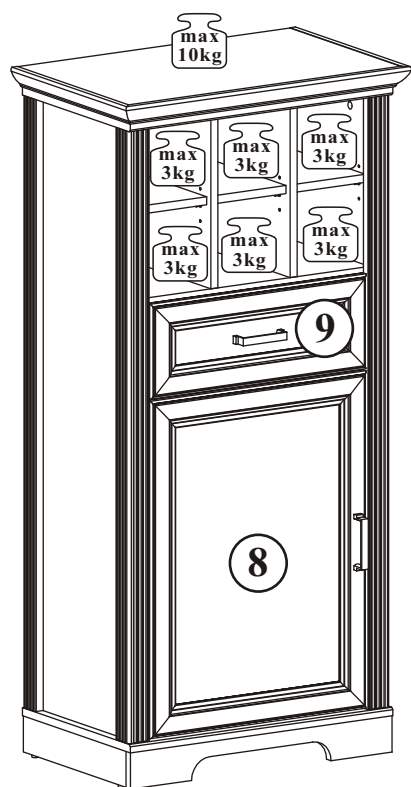


24





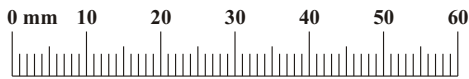
JASMIN 10G9_04



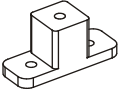


NO	Dim.			Col.-No	Qty
1	602	386	16	1	1
2	655	412	42	1	1
103	1213	359	16	2	1
104	1213	359	16	2	1
5	530	339	16	1	1
6	602	386	16	1	1
7	340	339	16	1	2
8	668	496	22	1	1
9	496	188	22	1	1
10	300	120	16	2	1
11	300	120	16	2	1
12	440	106	16	2	1
13	304	452	3	2	1

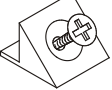



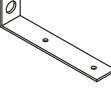
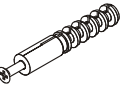
NO	Dim.			Col.-No	Qty
114	1213	49	49	2	1
115	1213	49	49	2	1
116	1213	43	19	2	1
117	1213	43	19	2	1
18	600	72	16	2	1
19	566	72	16	2	1
20	369	72	16	2	1
21	369	72	16	2	1
22	166	334	16	2	3
23	530	324	16	2	1
24	354	542	3	1	1
25	871	542	3	1	1
26	530	80	16	2	1

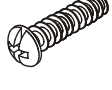



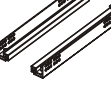

JASMIN 10G9_04

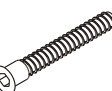



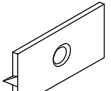
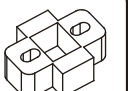


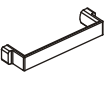



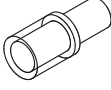

D24 x16	 USØ4x30	G12 x22	 Ø14	H1 x4	
------------	---	------------	--	----------	---

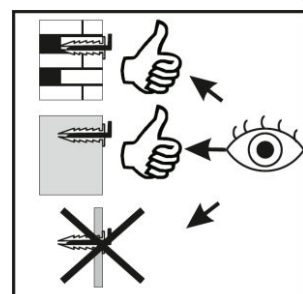
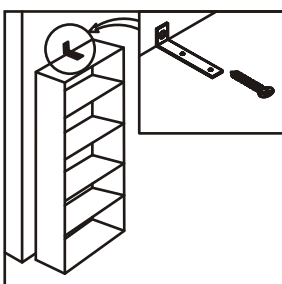
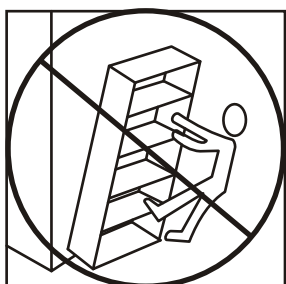
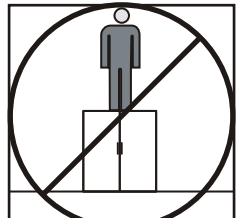
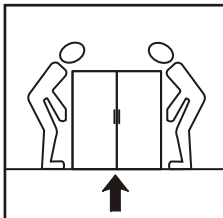
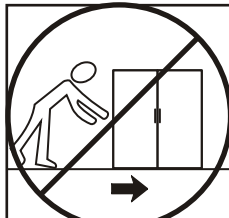
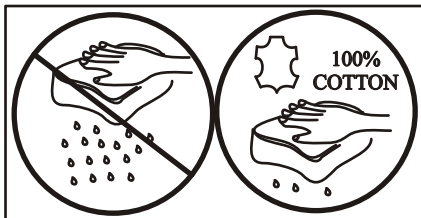
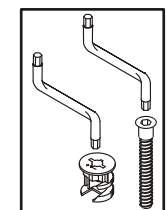
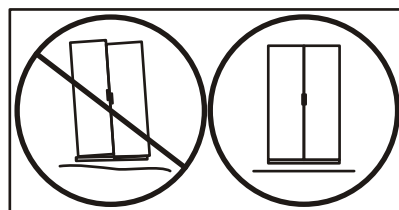
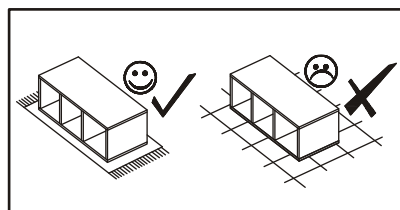
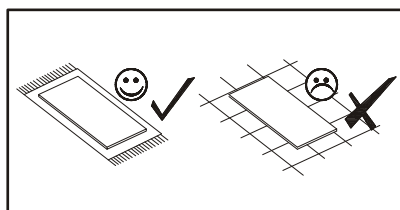
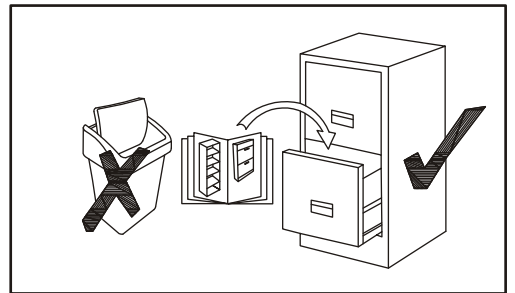
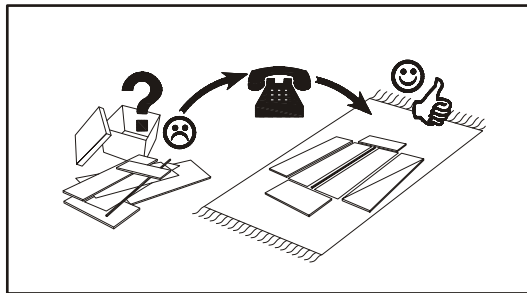
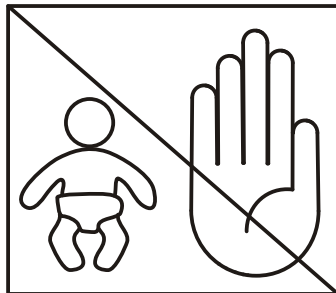
A1 x38	 ø8x36	B4 x26		B5 x26	 ø15x12	G5 x26		G7 x10		HA x6	
-----------	--	-----------	---	-----------	---	-----------	--	-----------	---	----------	---

S1 x14		E17 x2	 H=16	E13 x2	 H=2	Z2 x5	 ø5	L1 x1		KR1 x1	
-----------	---	-----------	---	-----------	--	----------	--	----------	---	-----------	---

EK8 x4	 EKØ6,3x24	D10 x8	 USØ3,5x13	UP13 x11	 UPØ3x16	D20 x4	 ESØ6,3x9,5	QU x1	 L-300	I2 x5	
-----------	--	-----------	--	-------------	--	-----------	--	----------	--	----------	---

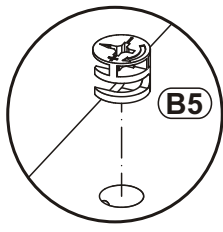
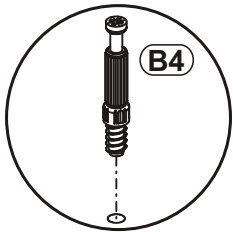
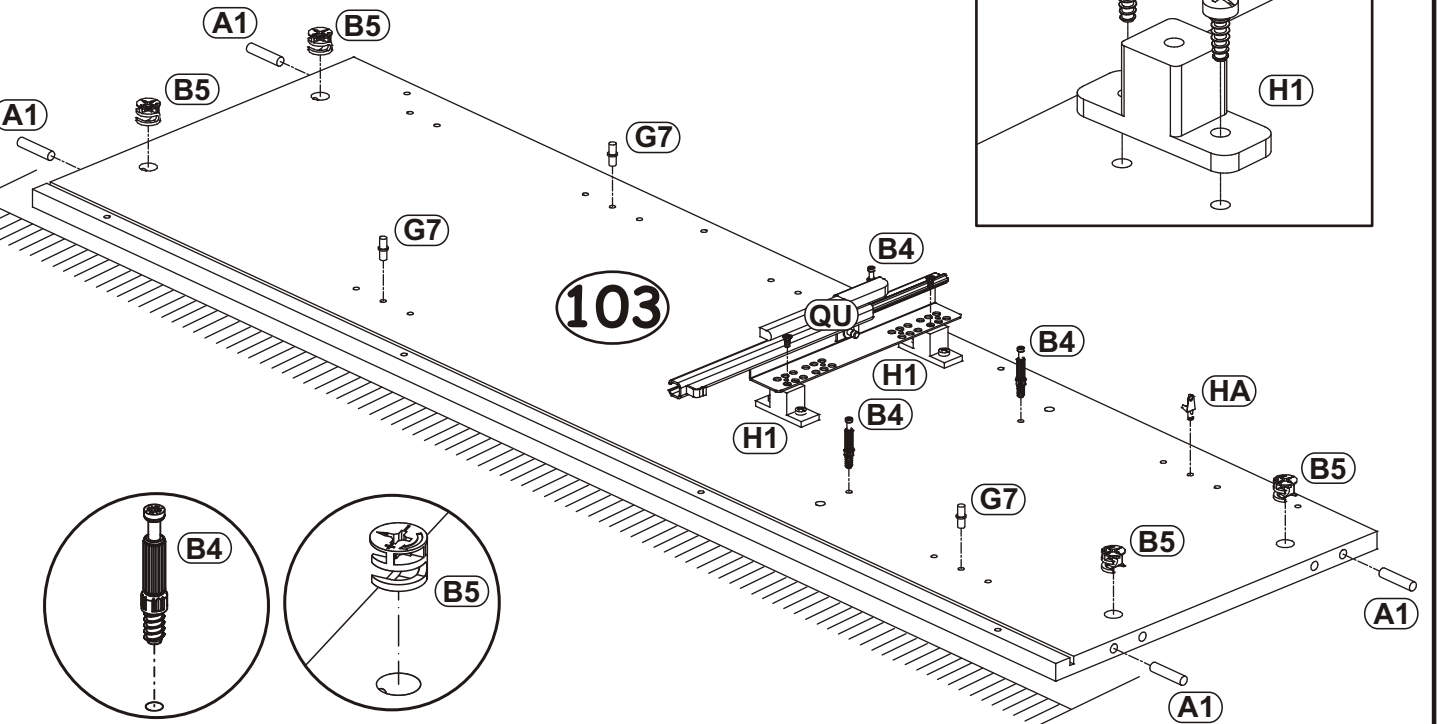
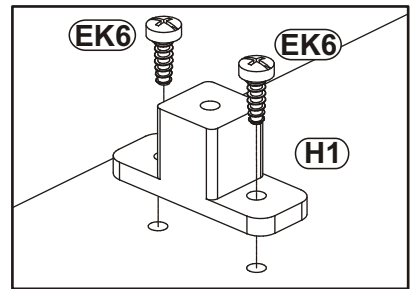
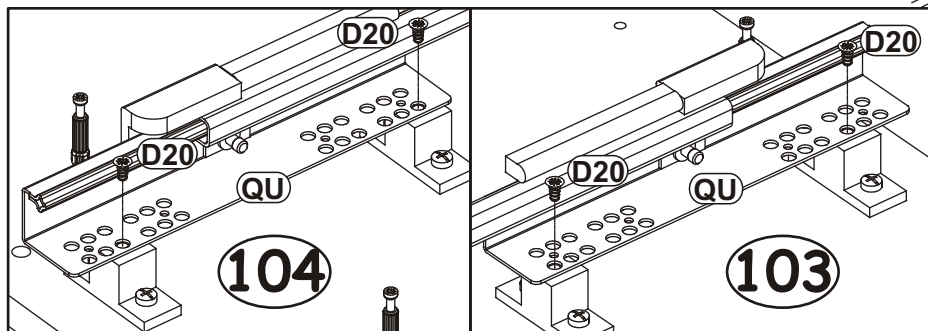
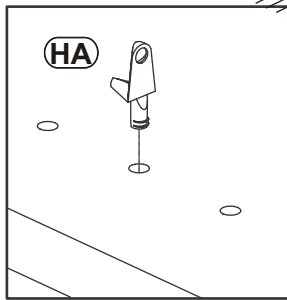
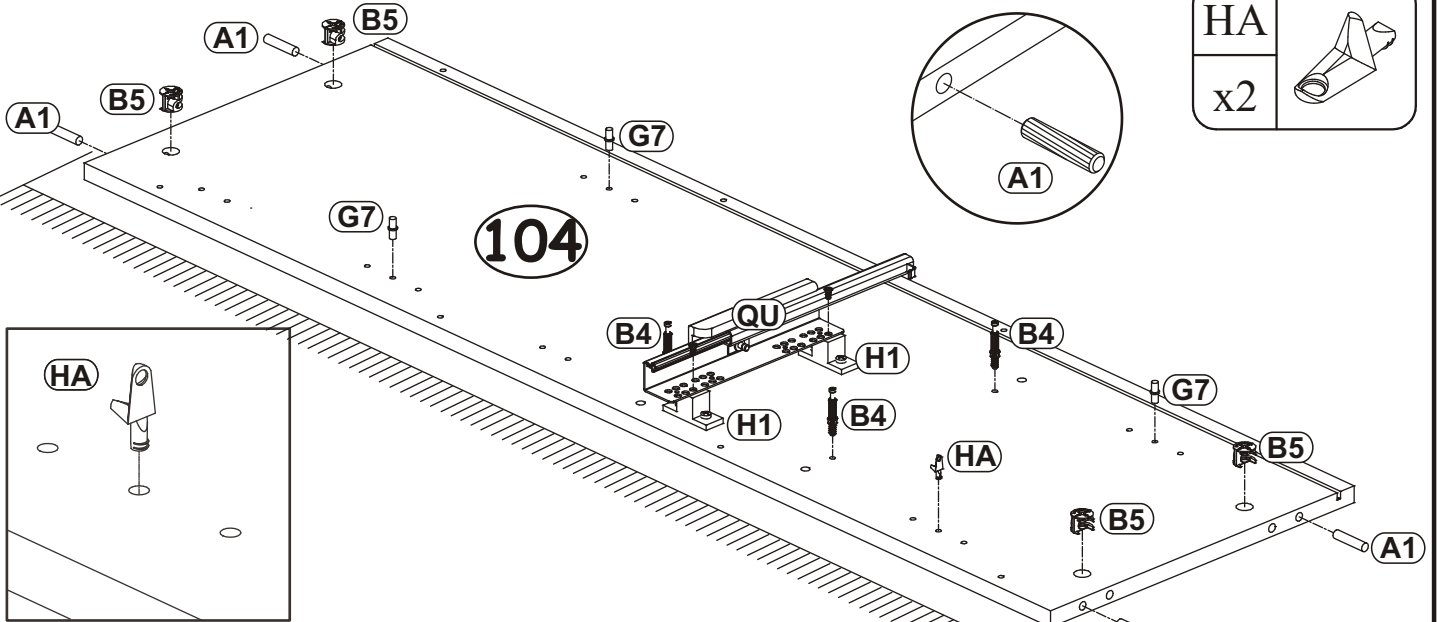
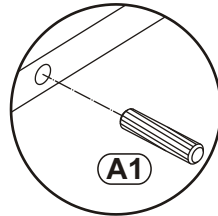
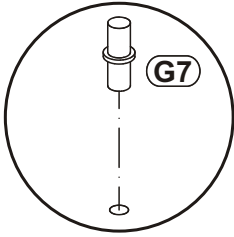
B11 x12	 Ø7x50	B14 x6	 Ø7x30	G4 x12		KM1 x1		G16 x4		E0 x2	 H=11
------------	--	-----------	--	-----------	---	-----------	--	-----------	---	----------	---

C19 x2		D16 x2	 M4x16	D4 x2	 M4x30	EK6 x8	 EKØ6,3x13	G20 x1		G2 x1	
-----------	--	-----------	---	----------	---	-----------	--	-----------	--	----------	--

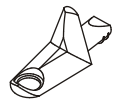
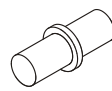
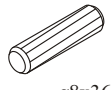


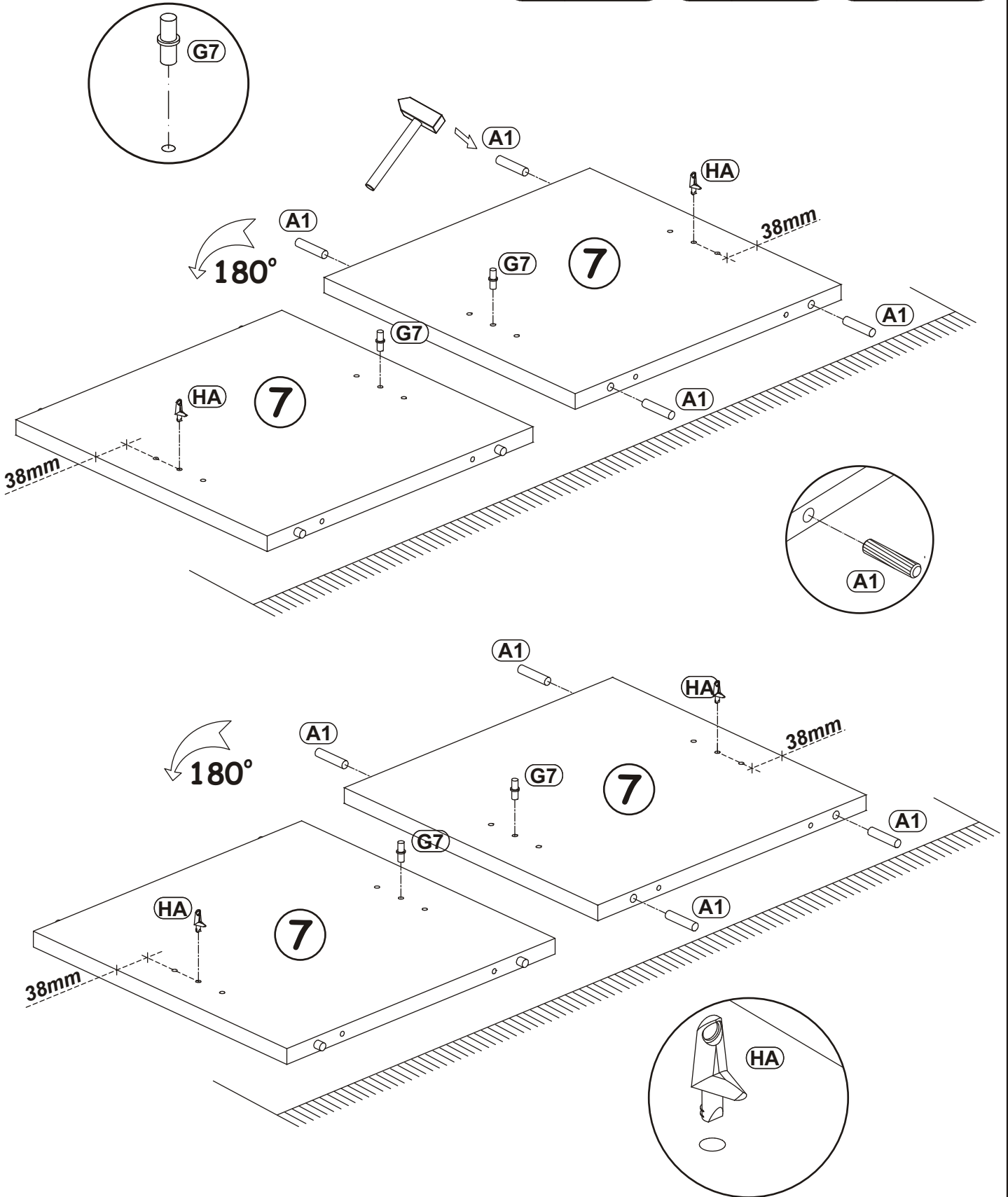
1

H1 x4		QU x1	 L-300	B5 x8	 ø15x12	G7 x6	
EK6 x8	 EKØ6,3x13	D20 x4	 ESØ6,3x9,5	B4 x6		A1 x8	 ø8x36
						HA x2	

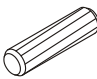
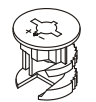
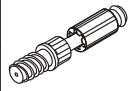


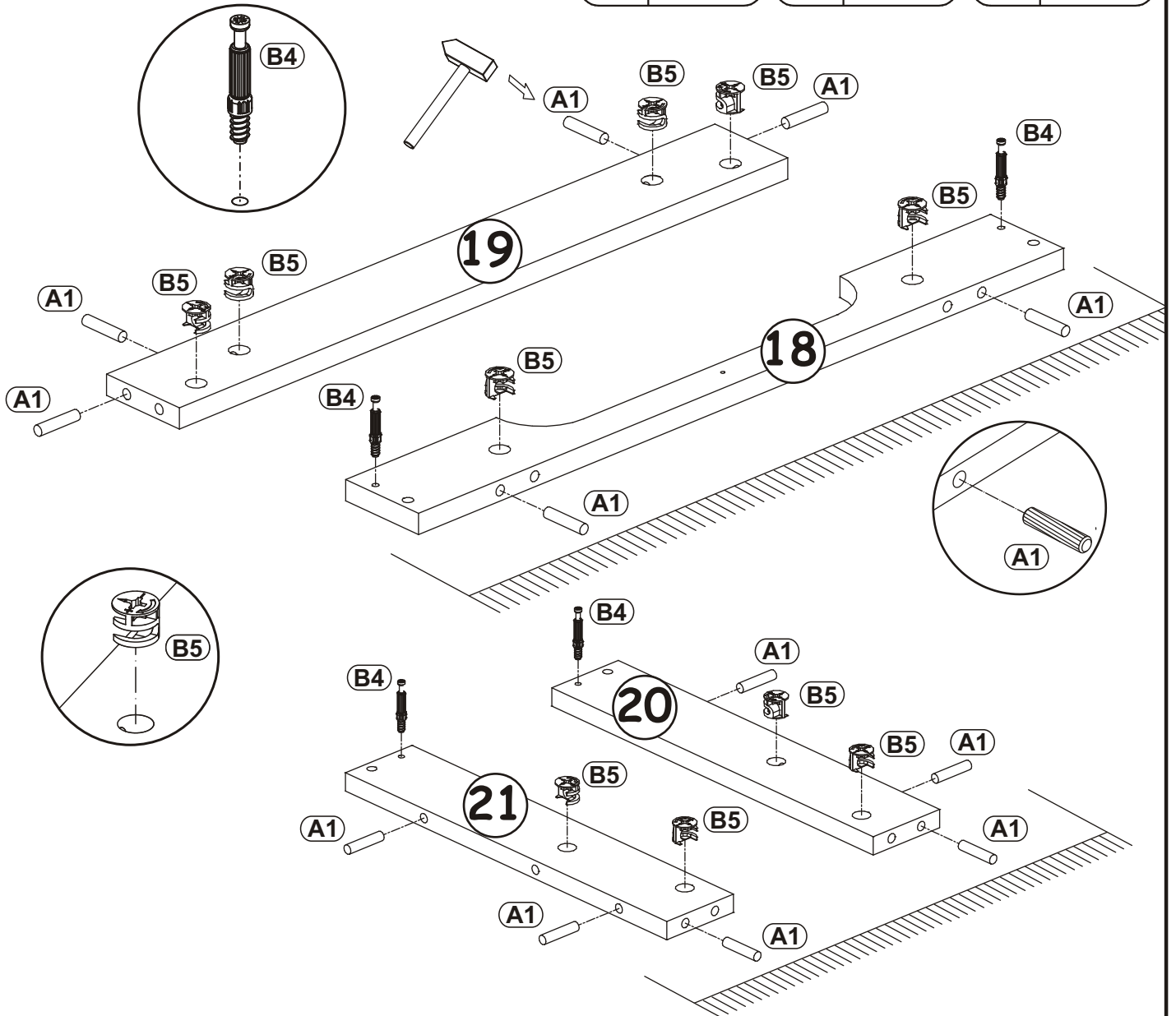
2

HA		G7		A1	
x4		x4		x8	ø8x36

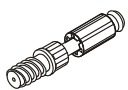


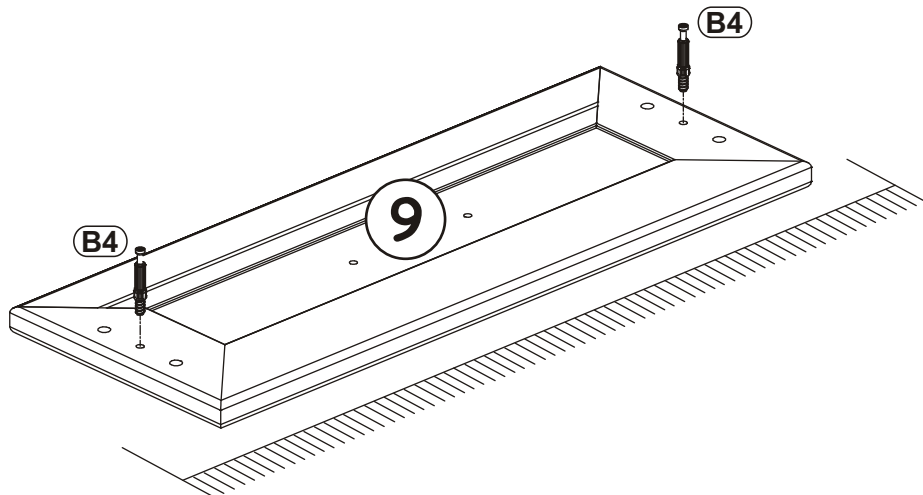
3

A1		B5		B4	
x12	ø8x36	x10	ø15x12	x4	

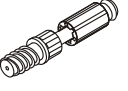


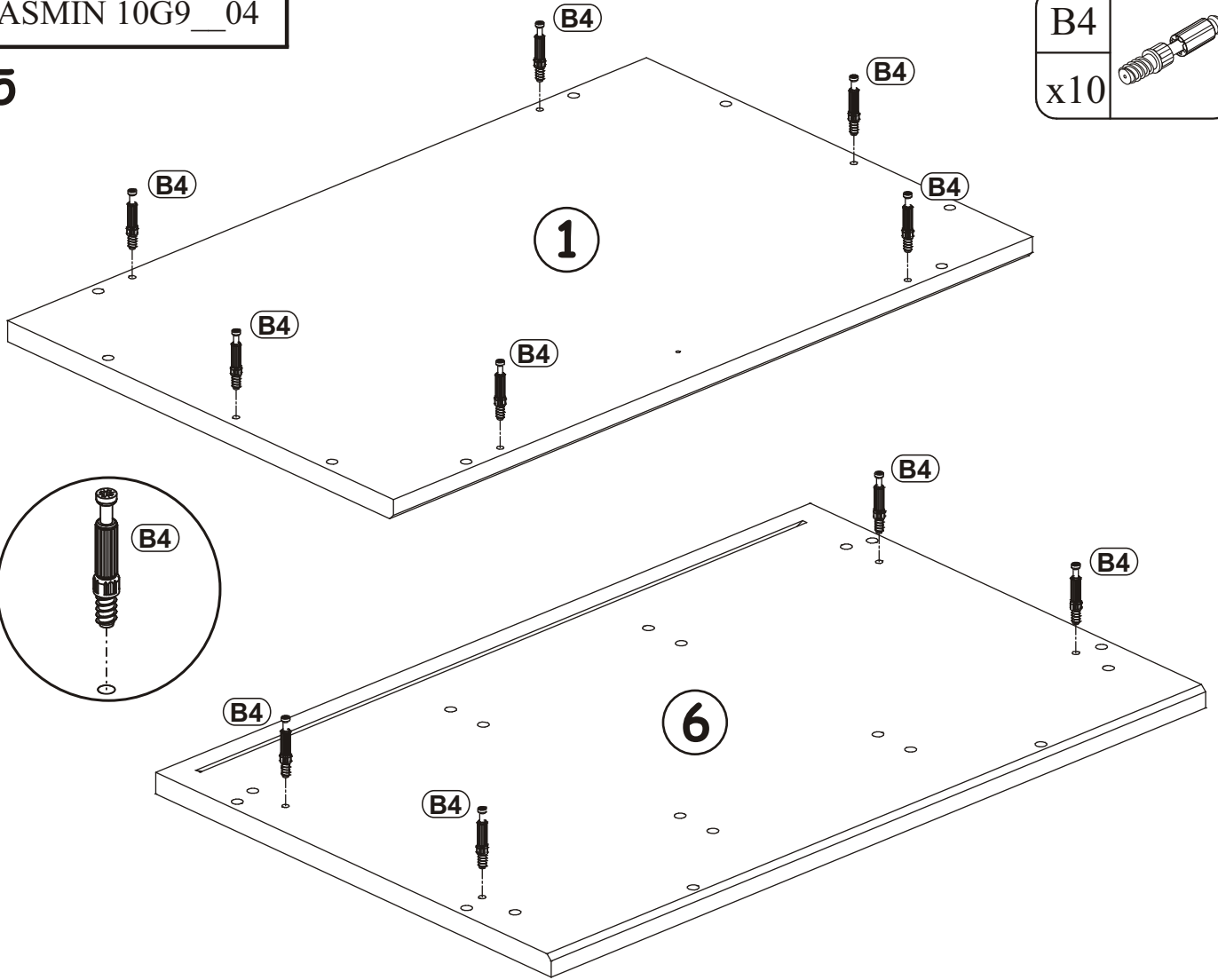
4

B4	
x2	




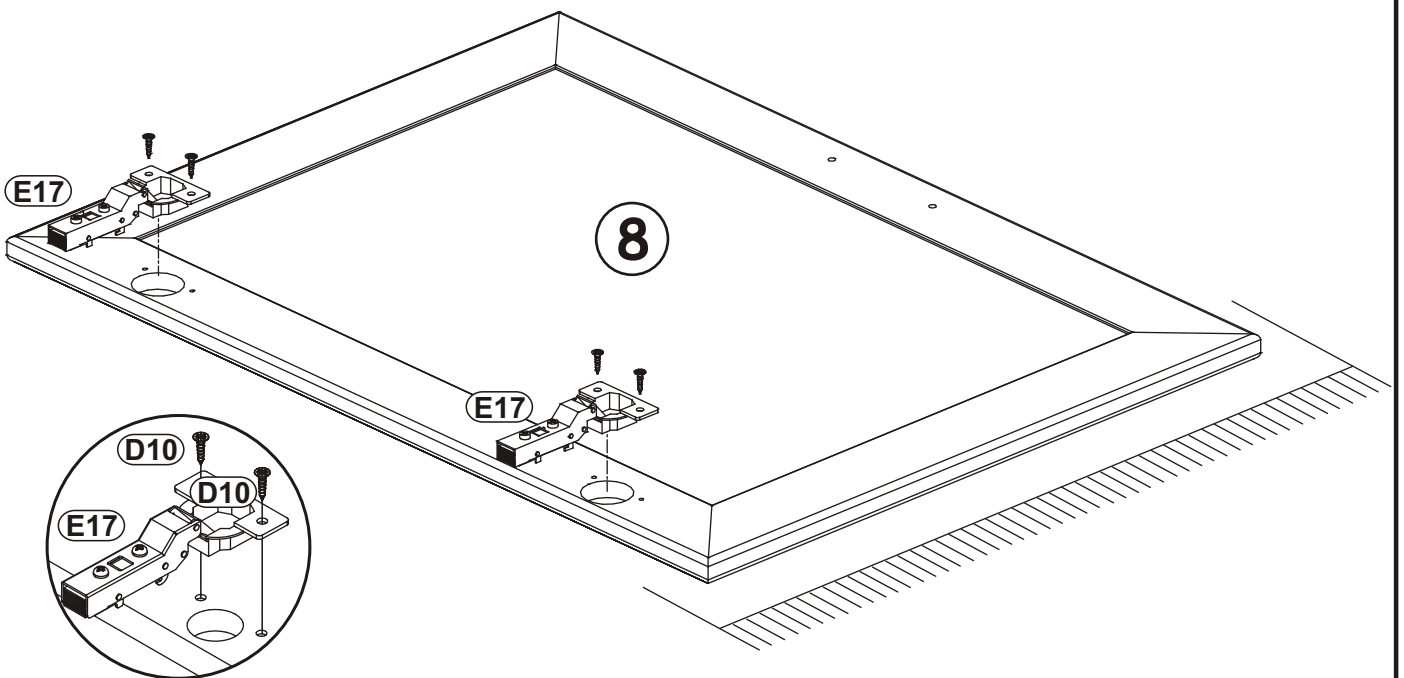
5

B4	
x10	



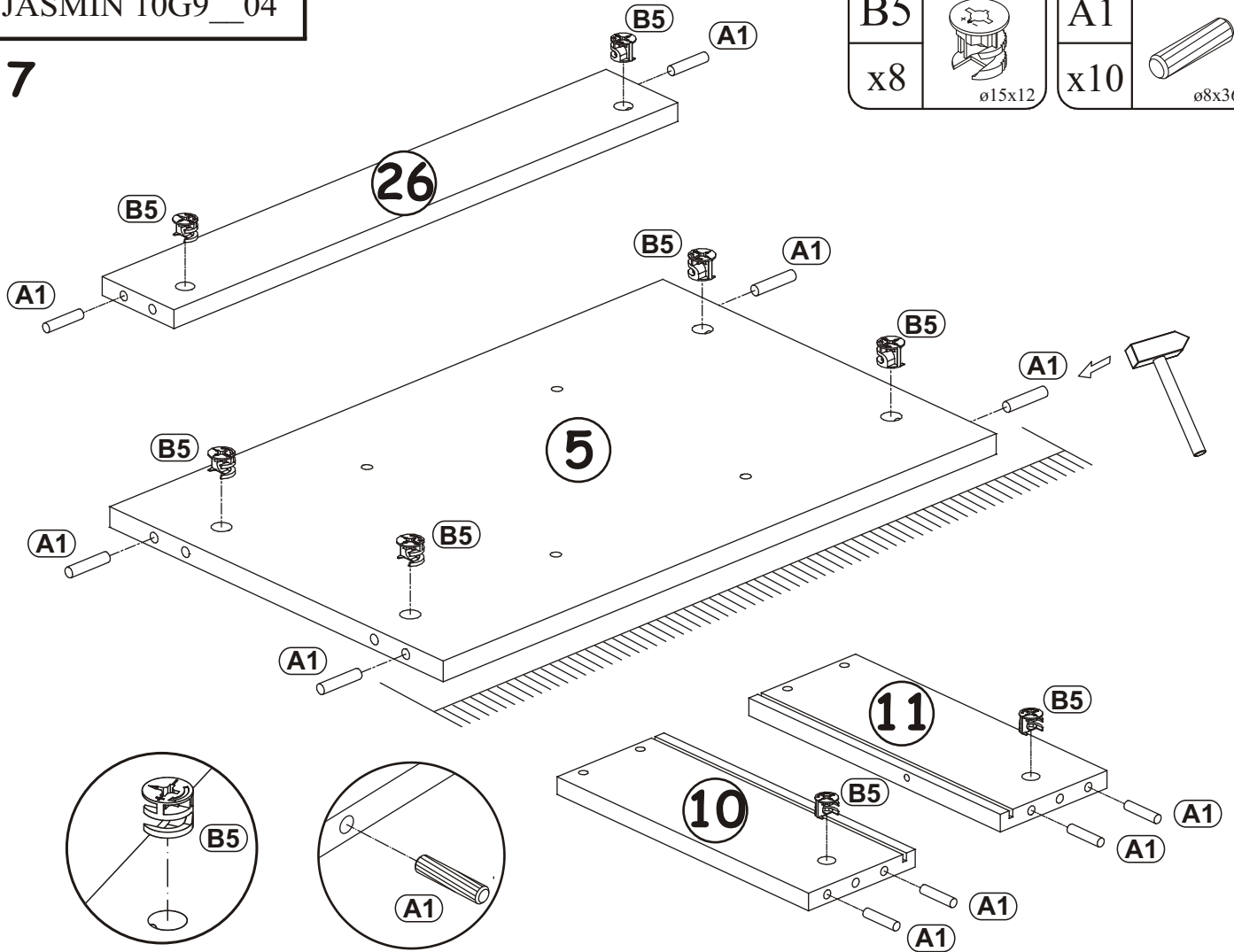
6

D10		E17	
x4	USØ3,5x13	x2	H=16






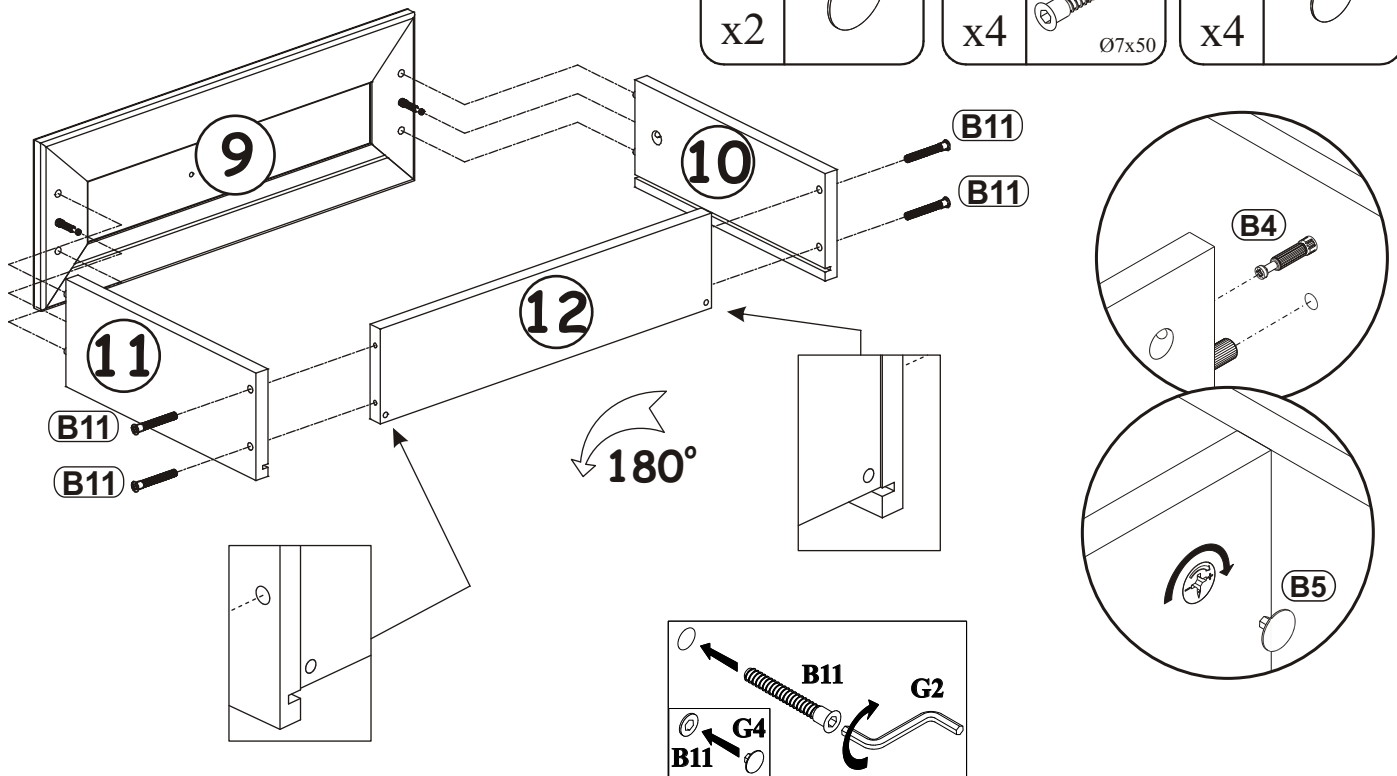
7

B5		A1	
x8	ø15x12	x10	ø8x36

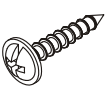
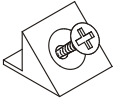


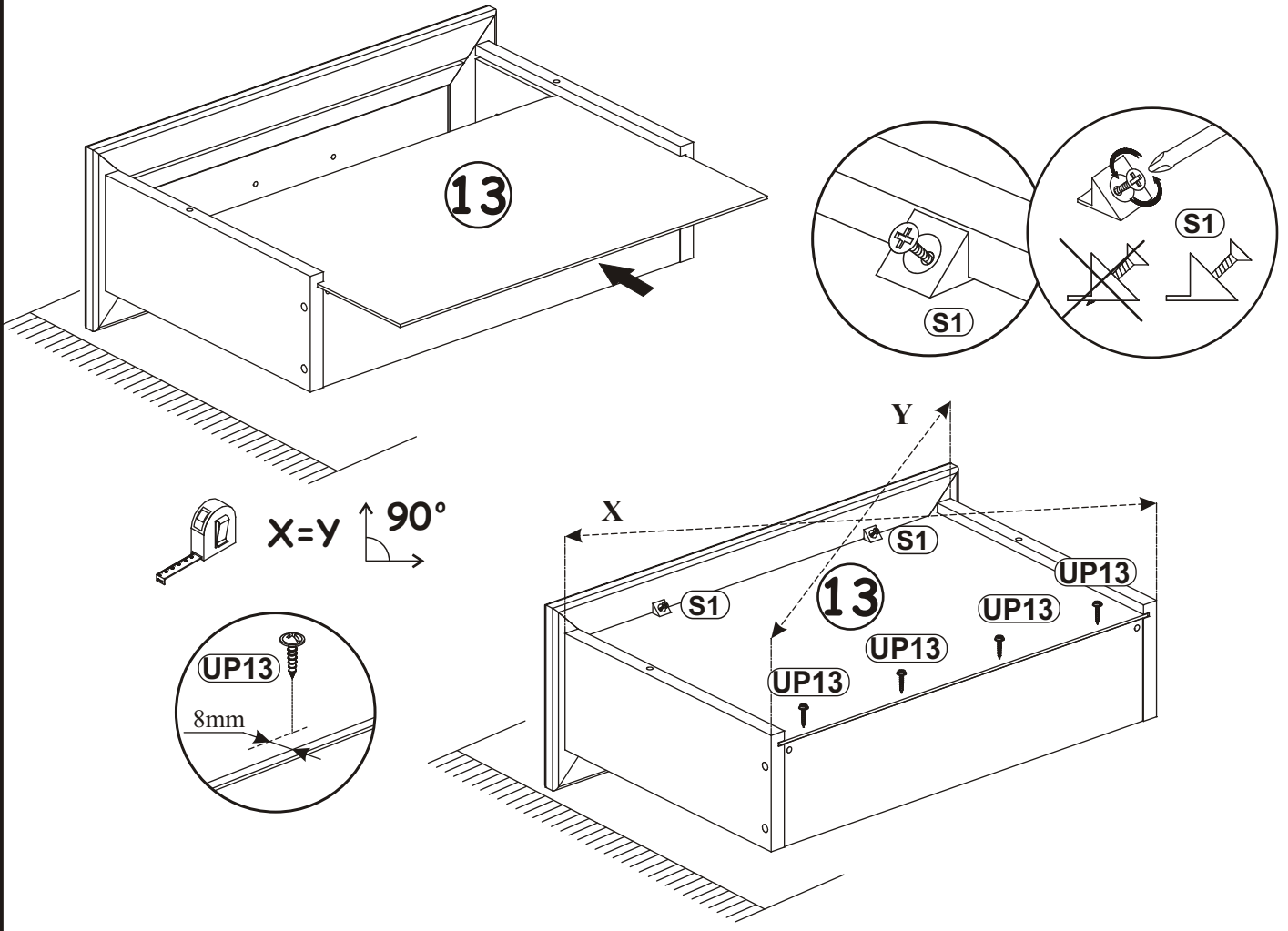
8

G5		B11		G4	
x2		x4	Ø7x50	x4	




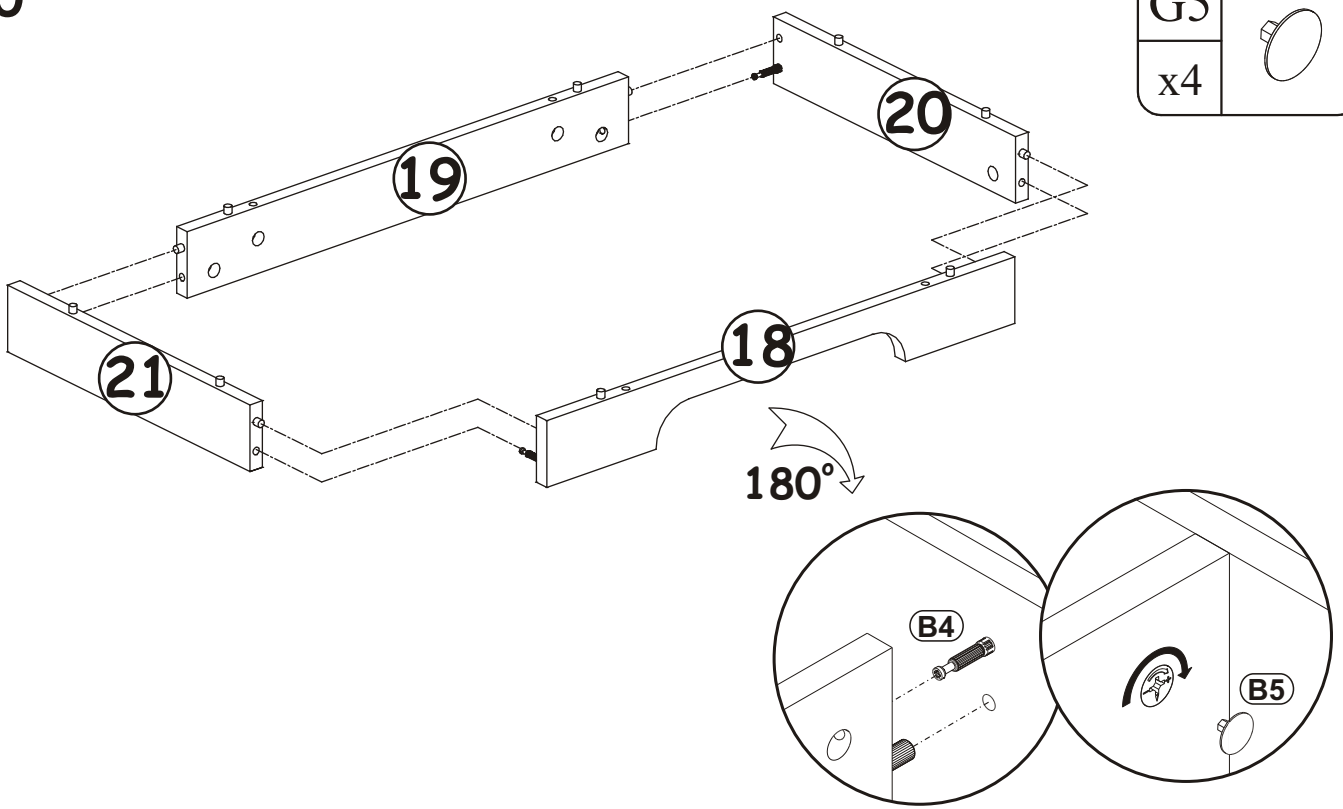
9

UP13		S1	
x4	UP03x16	x2	

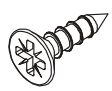



10

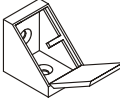
G5	
x4	




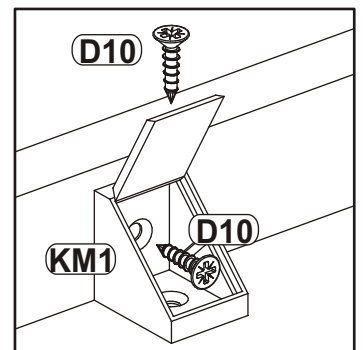
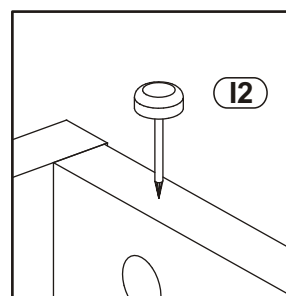
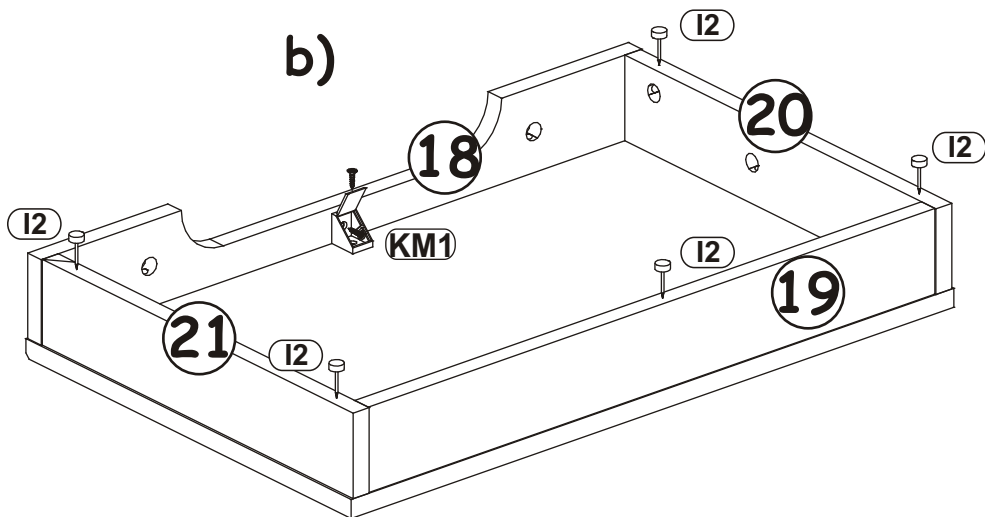
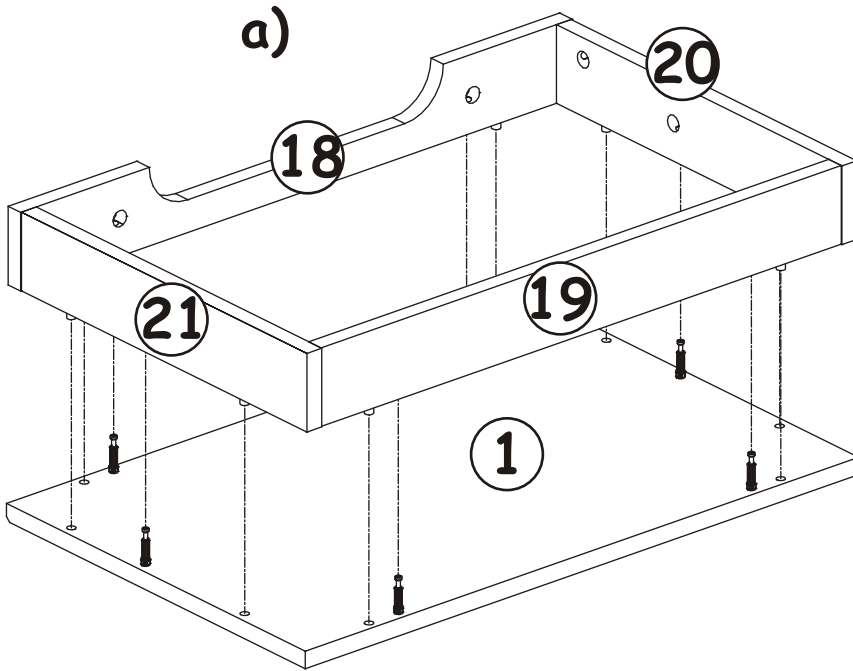
11

D10	
x2	USØ3,5x13

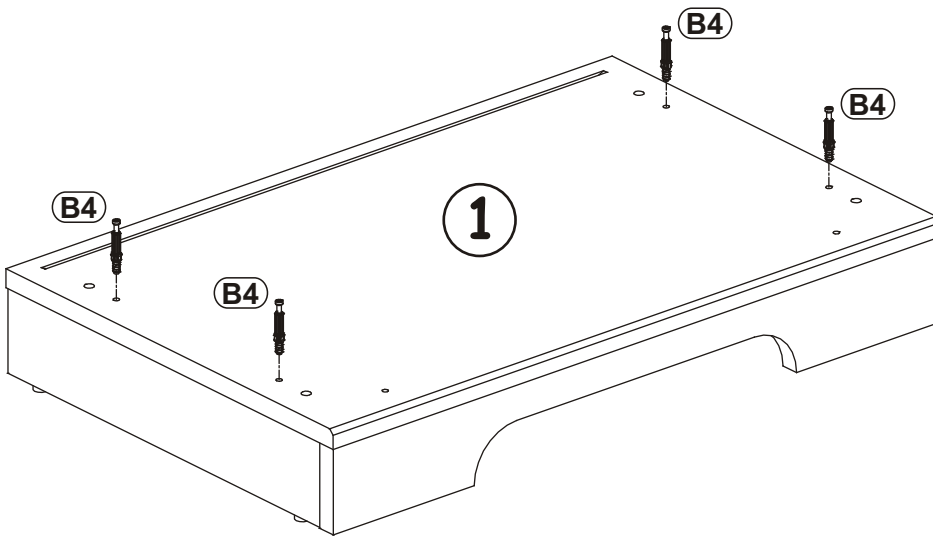
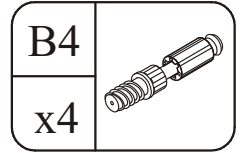
I2	
x5	

KM1	
x1	

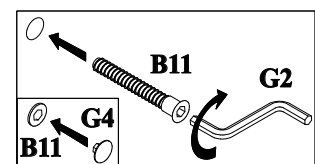
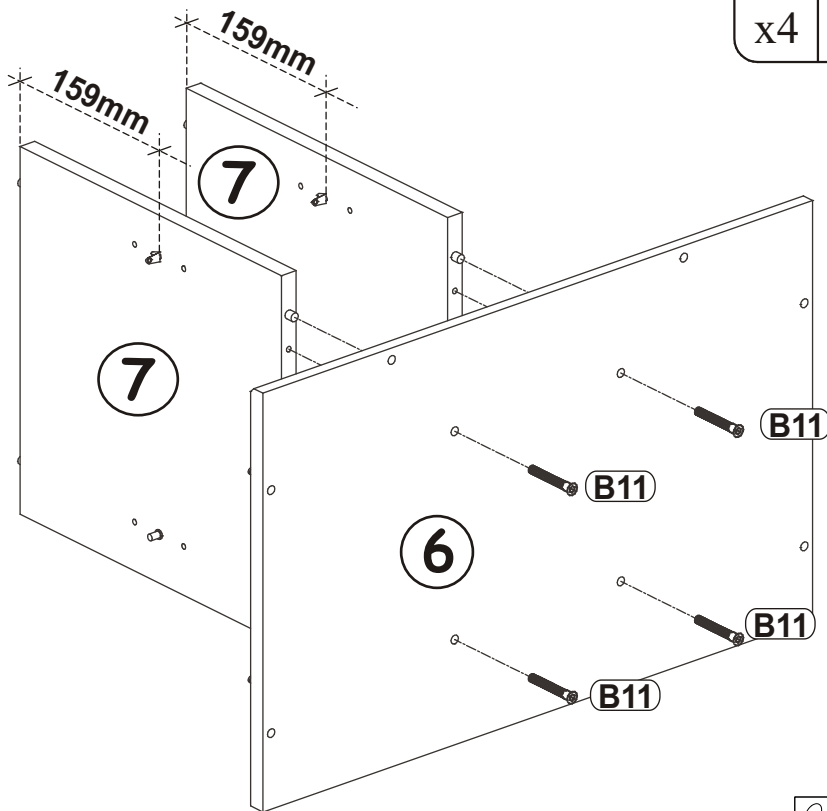
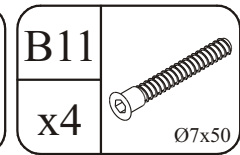
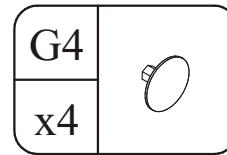
G5	
x6	





12



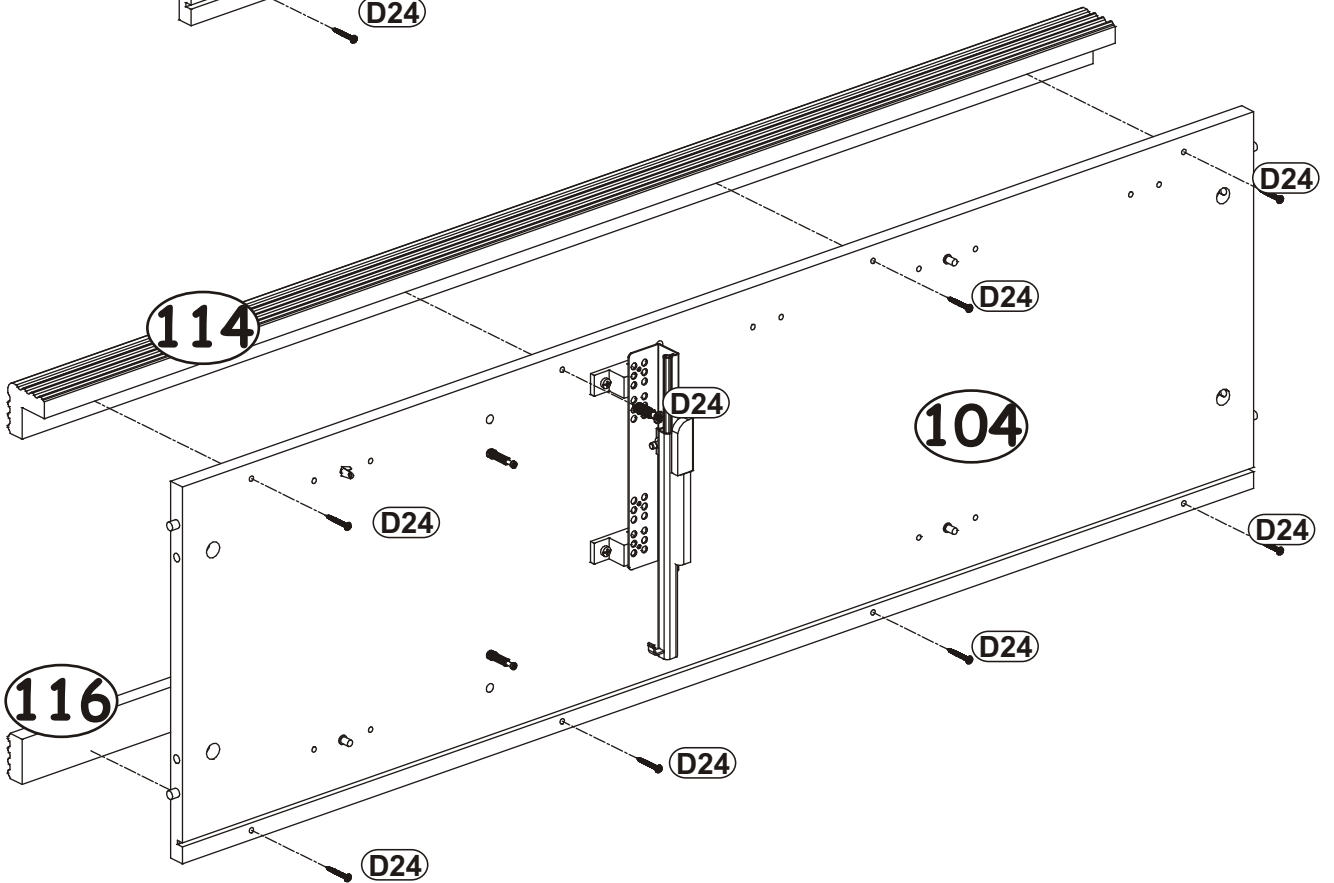
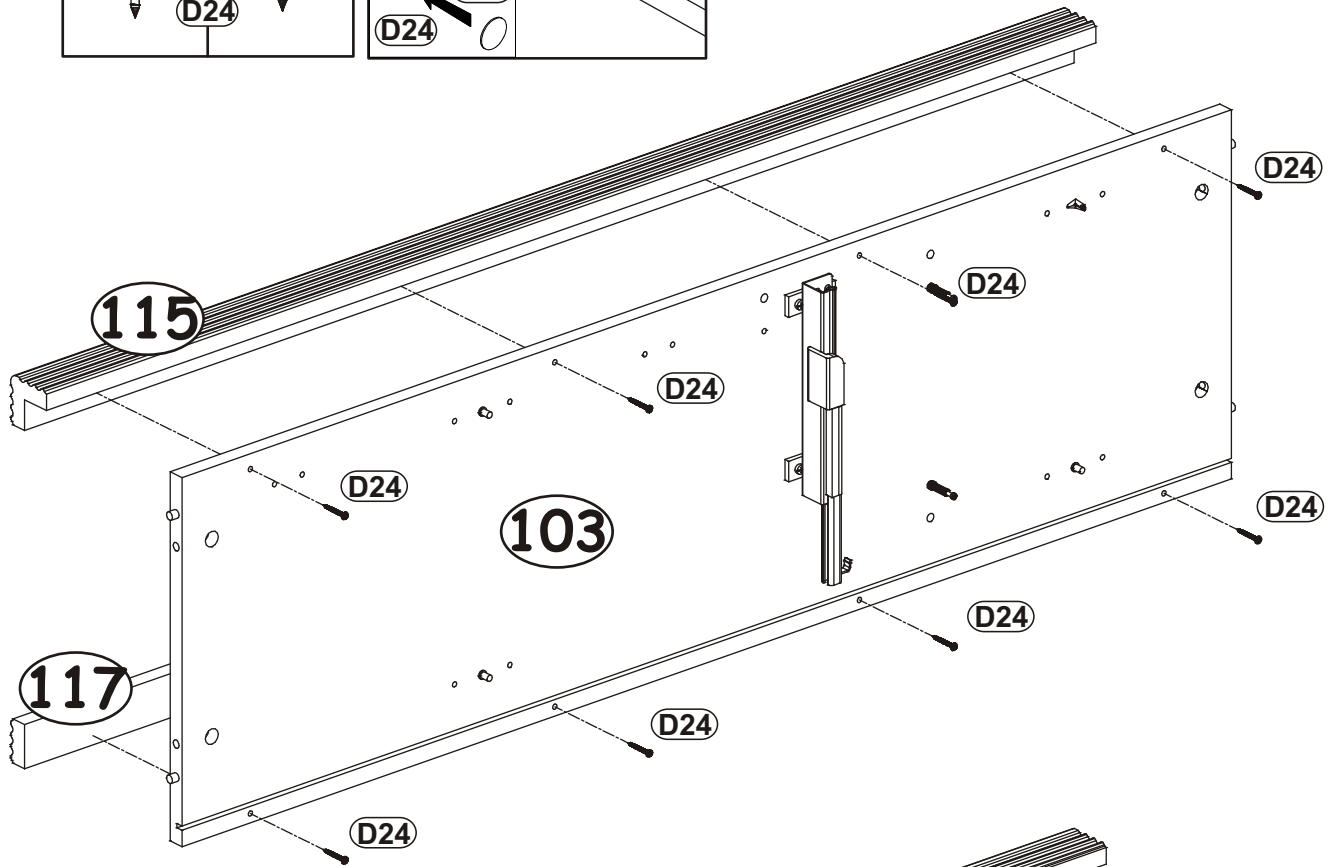
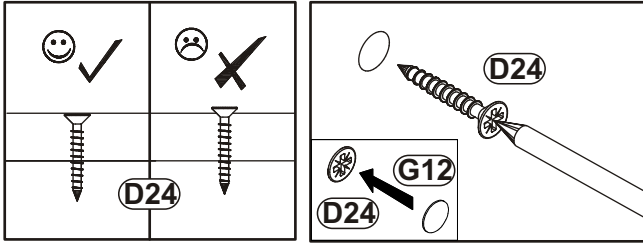
13




G12	
x16	Ø14

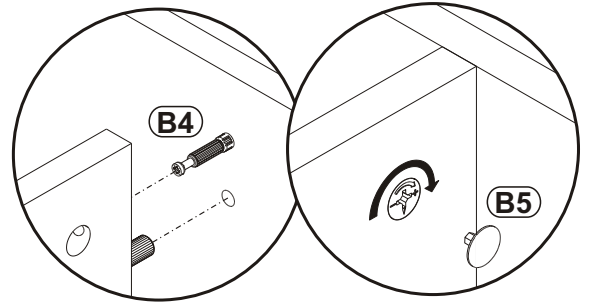
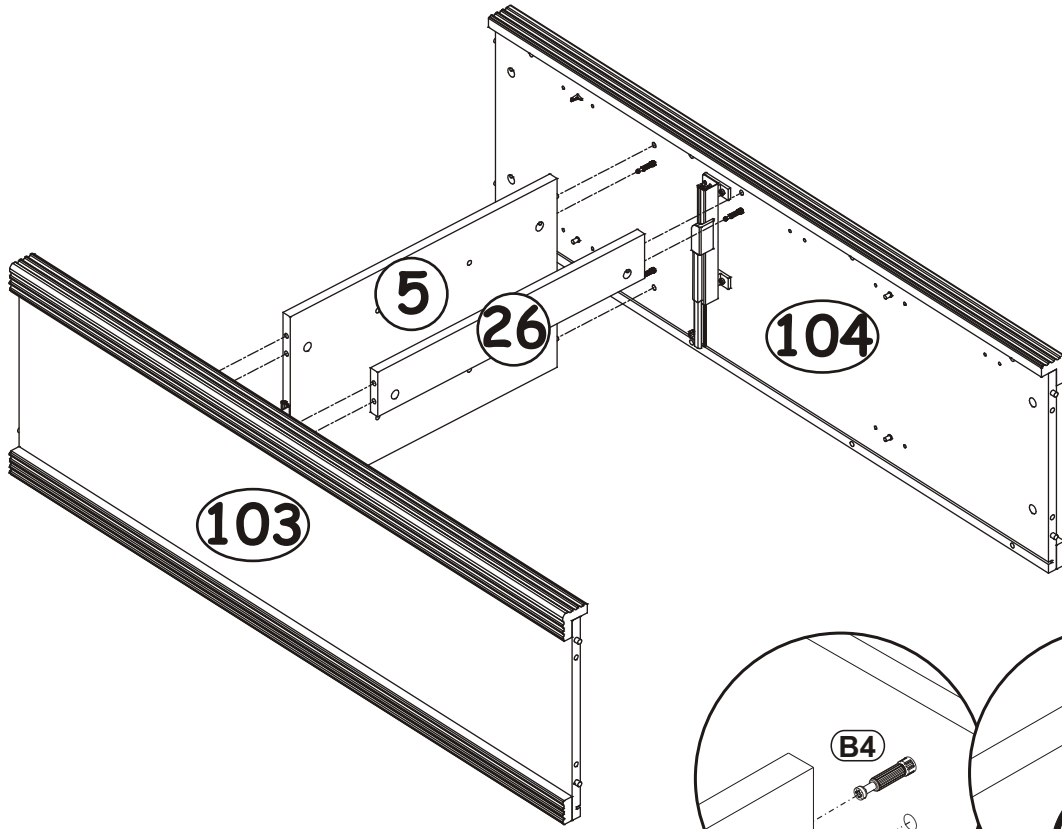
D24	
x16	USØ4x30

14

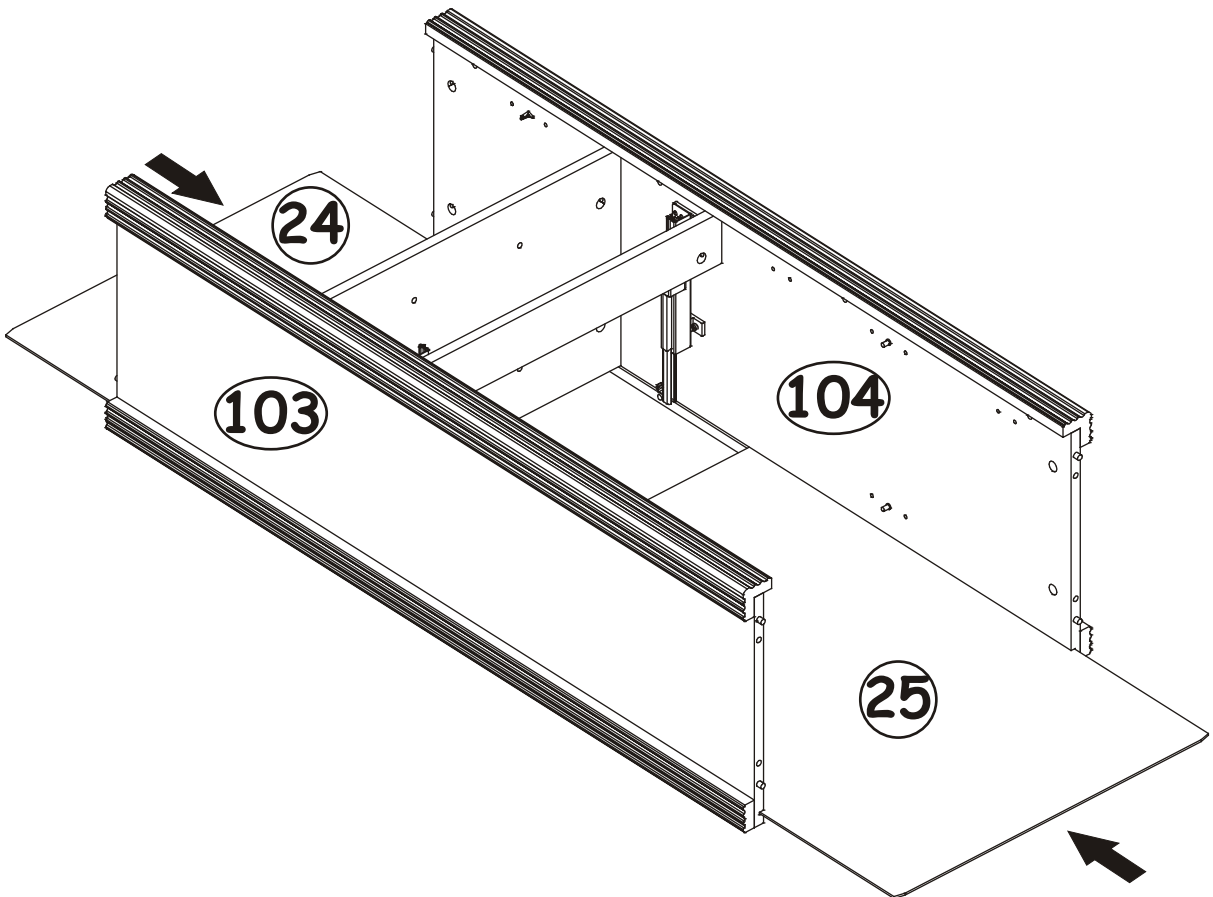


G5	
x6	


15





16

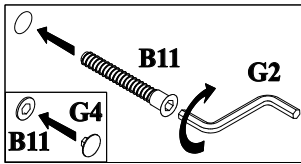
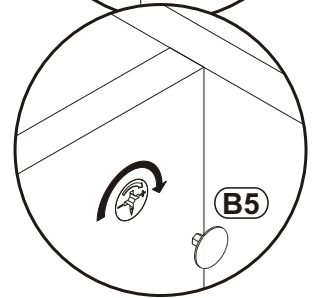
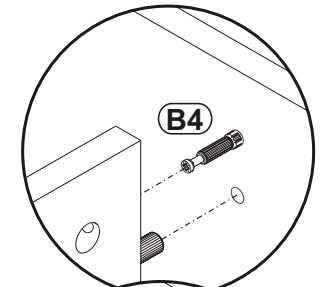
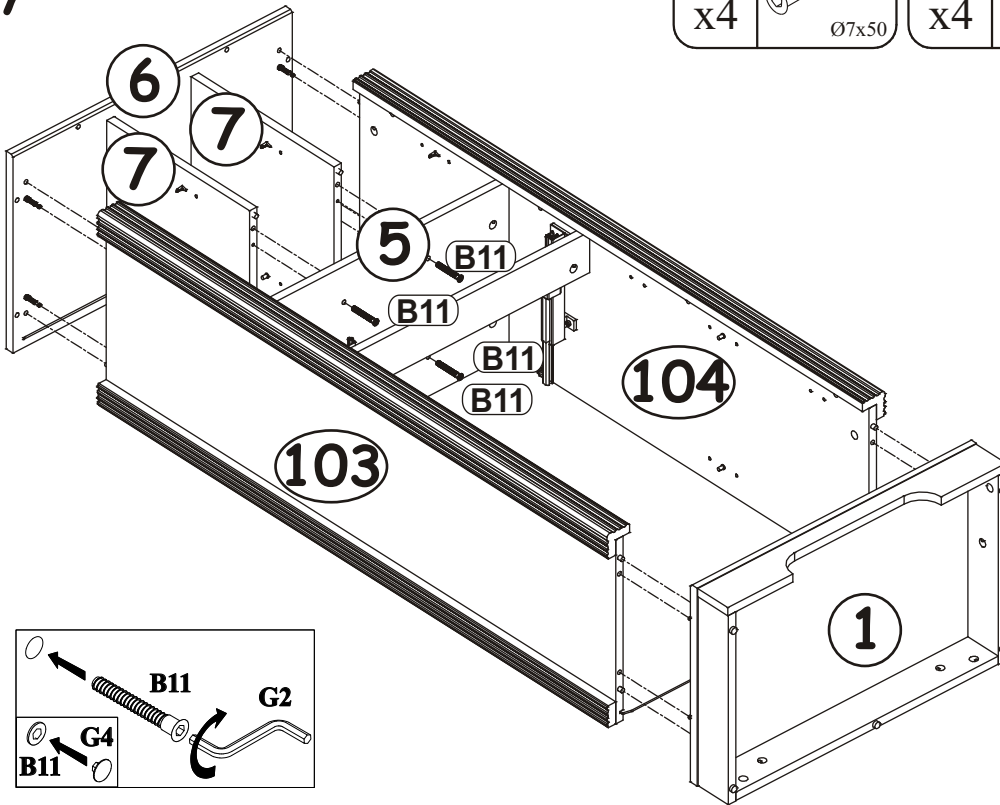


17

B11	
x4	Ø7x50


G4	
x4	

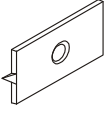
G5	
x8	

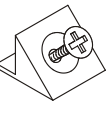


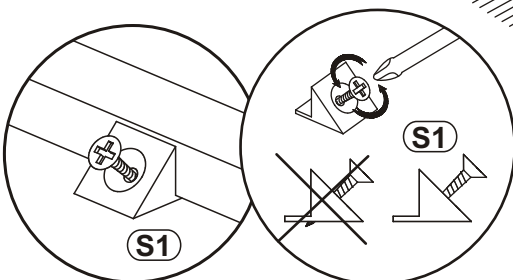
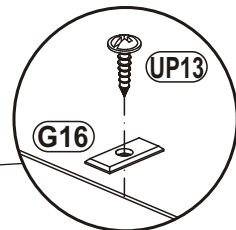
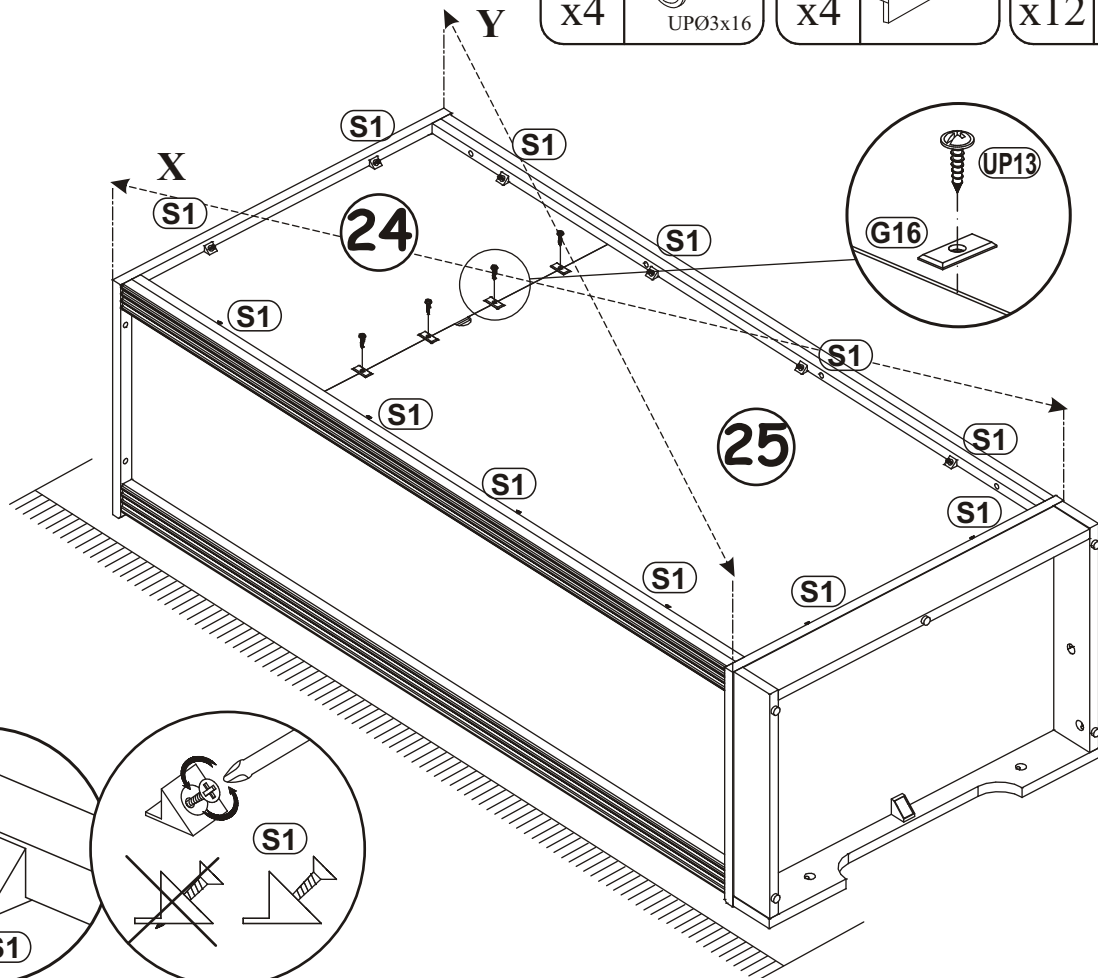
18



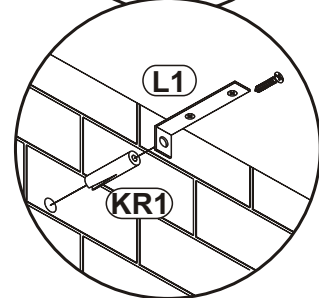
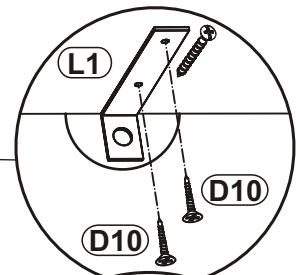
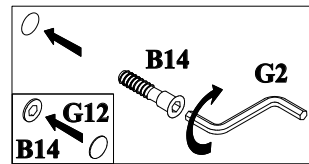
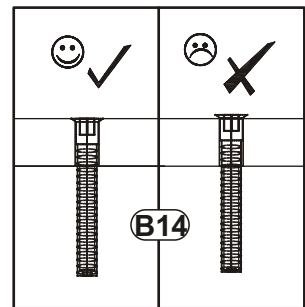
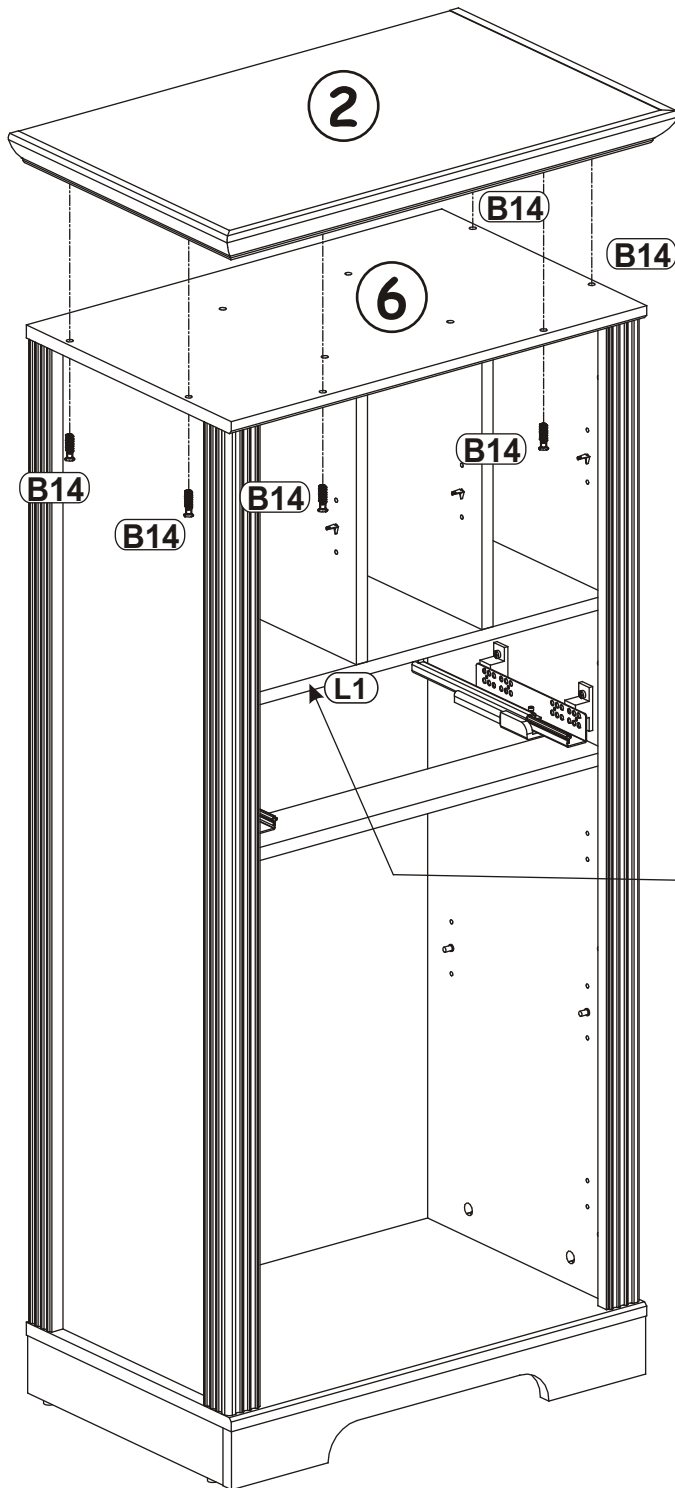
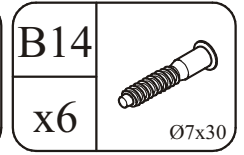
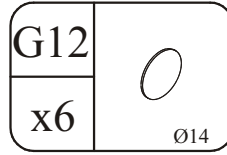
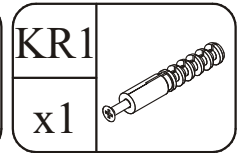
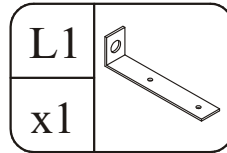
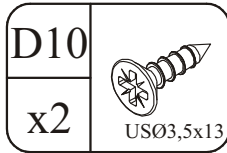
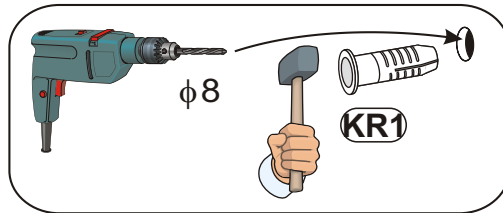
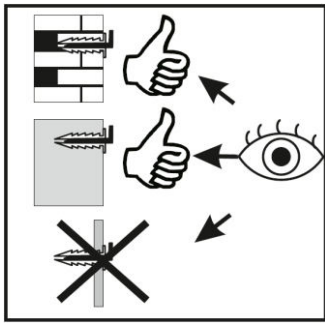
UP13	
x4	UPØ3x16

G16	
x4	

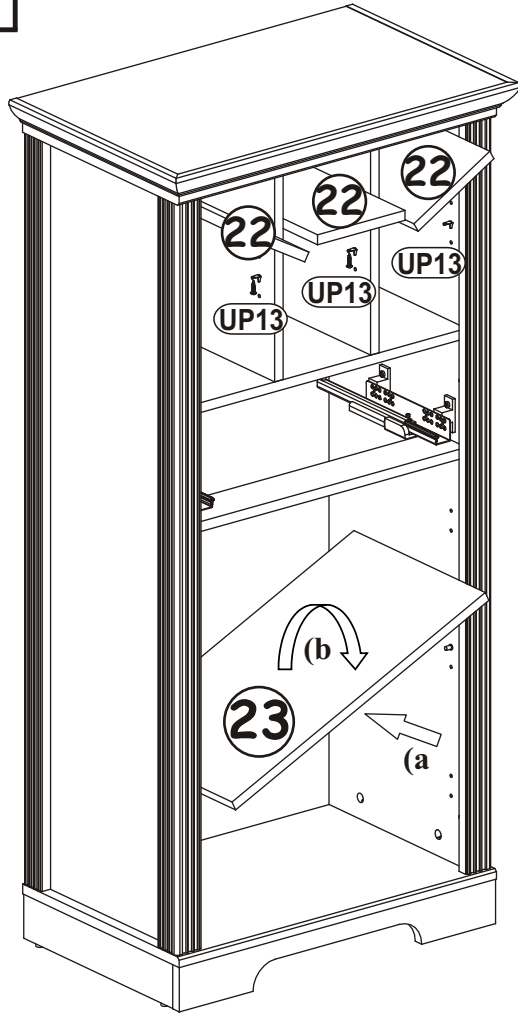
S1	
x12	




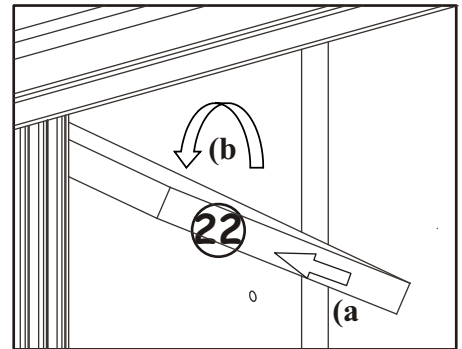
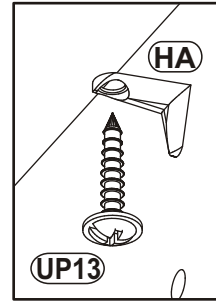
19



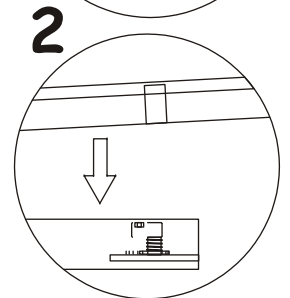
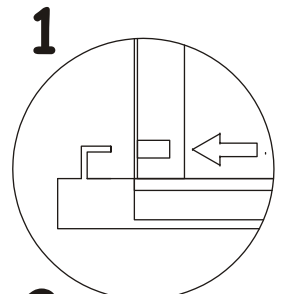
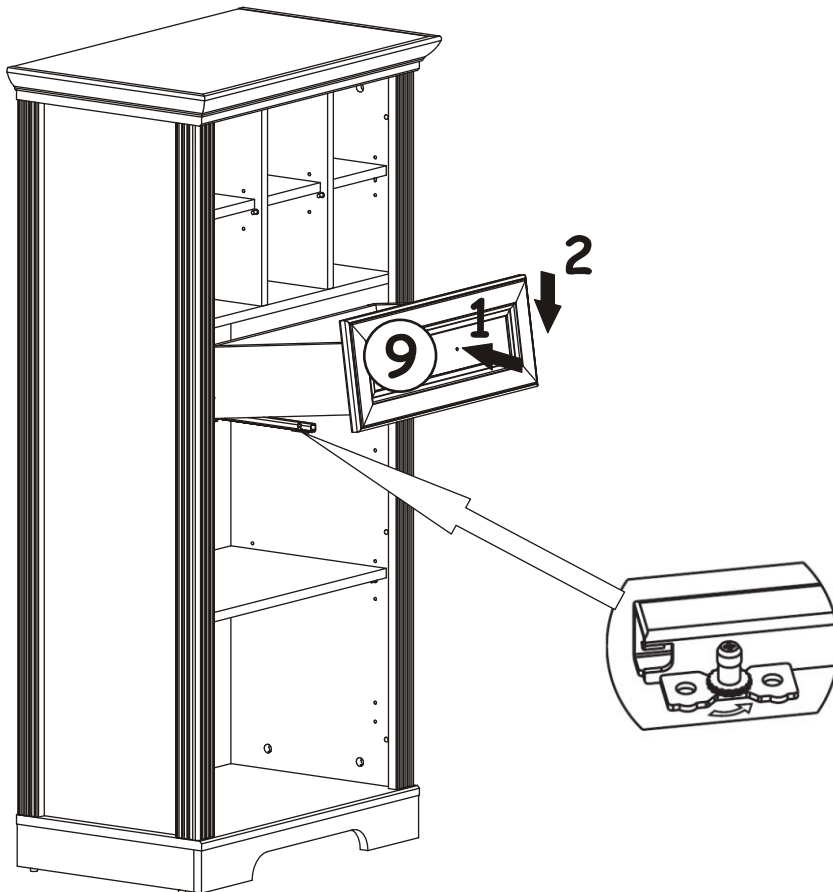
20



UP13	
x3	UPØ3x16

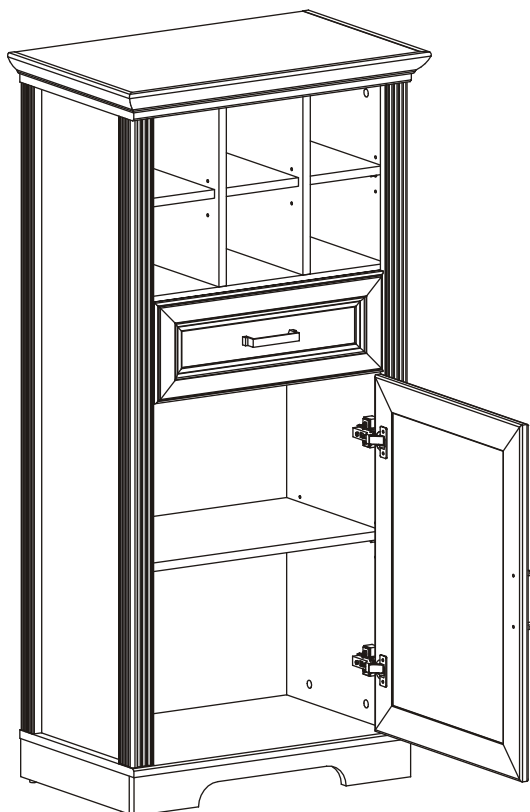


21

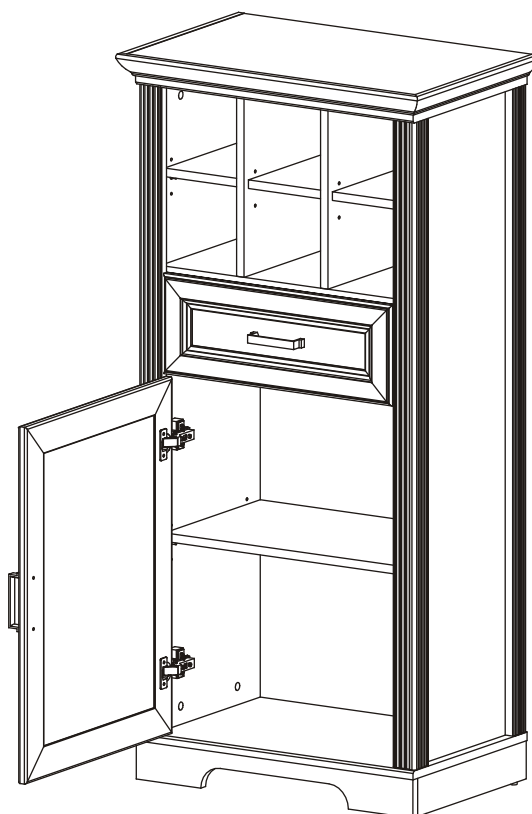


↑ +4 mm

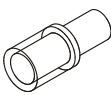
22 - 25

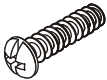


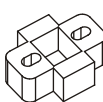
26 - 29

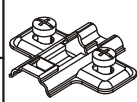



22

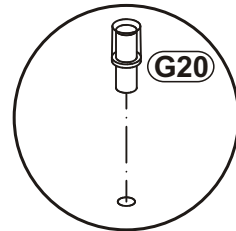
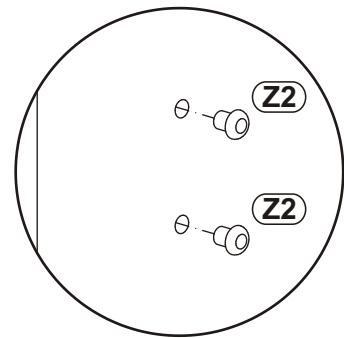
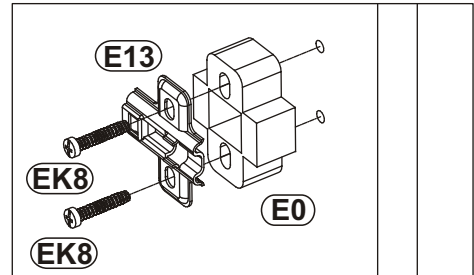
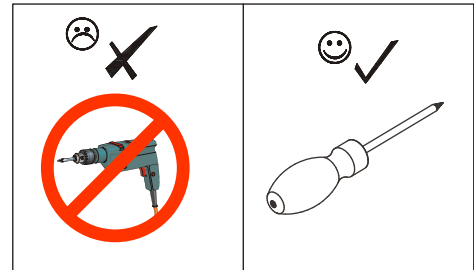
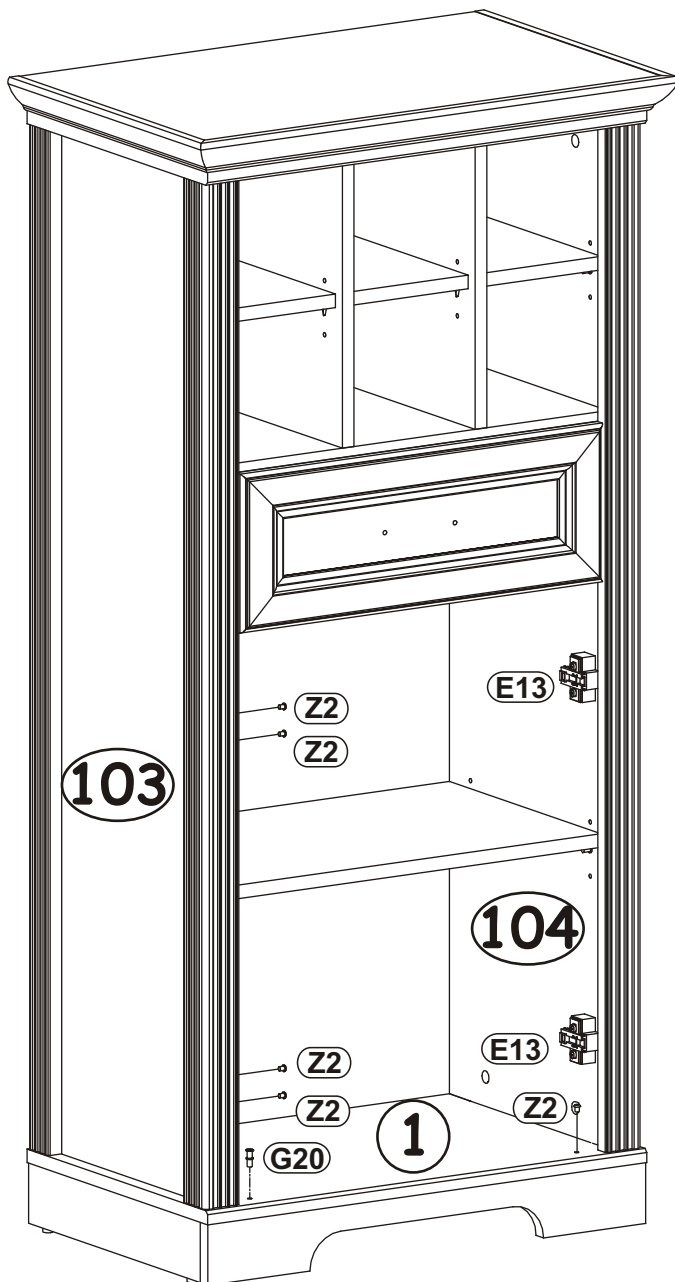
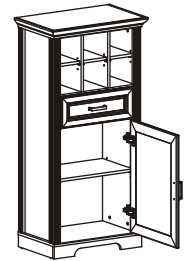
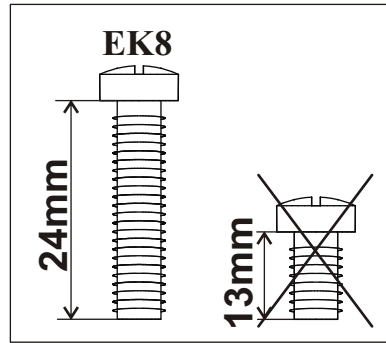
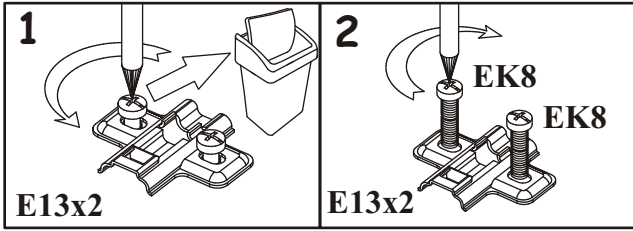
G20	
x1	

EK8	
x4	EKØ6,3x24

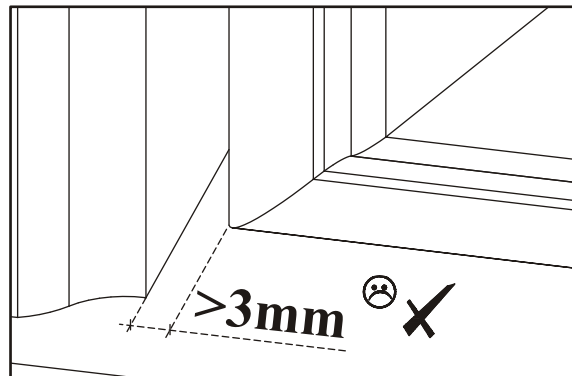
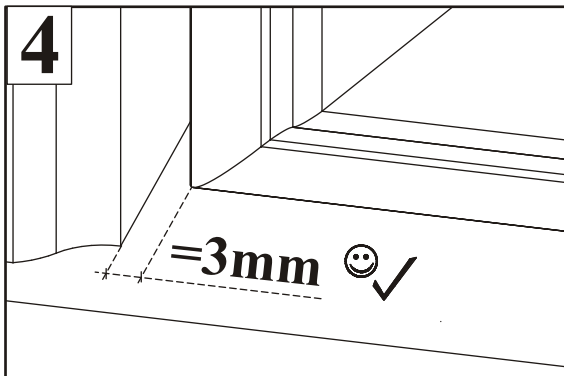
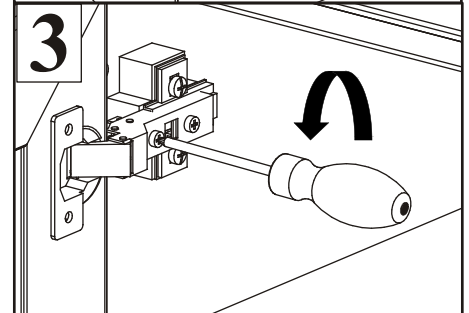
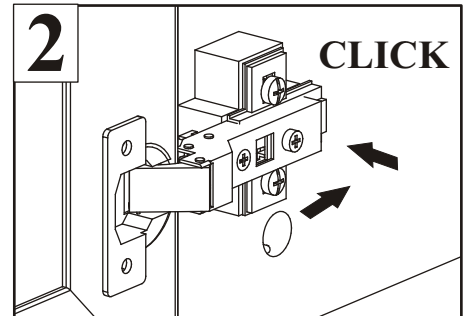
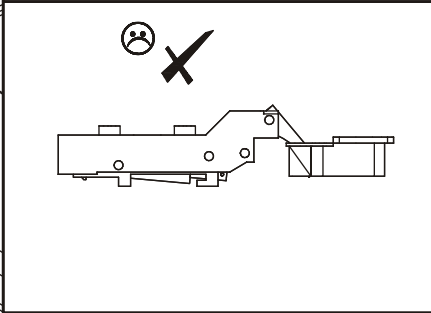
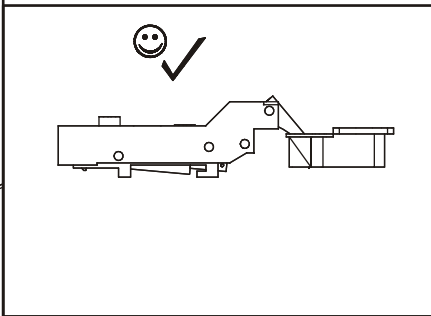
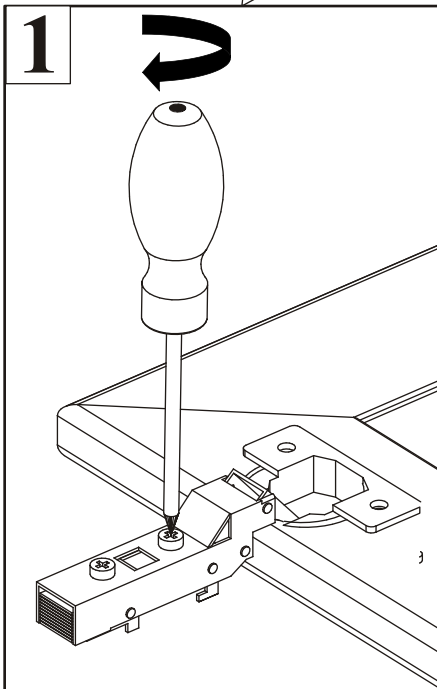
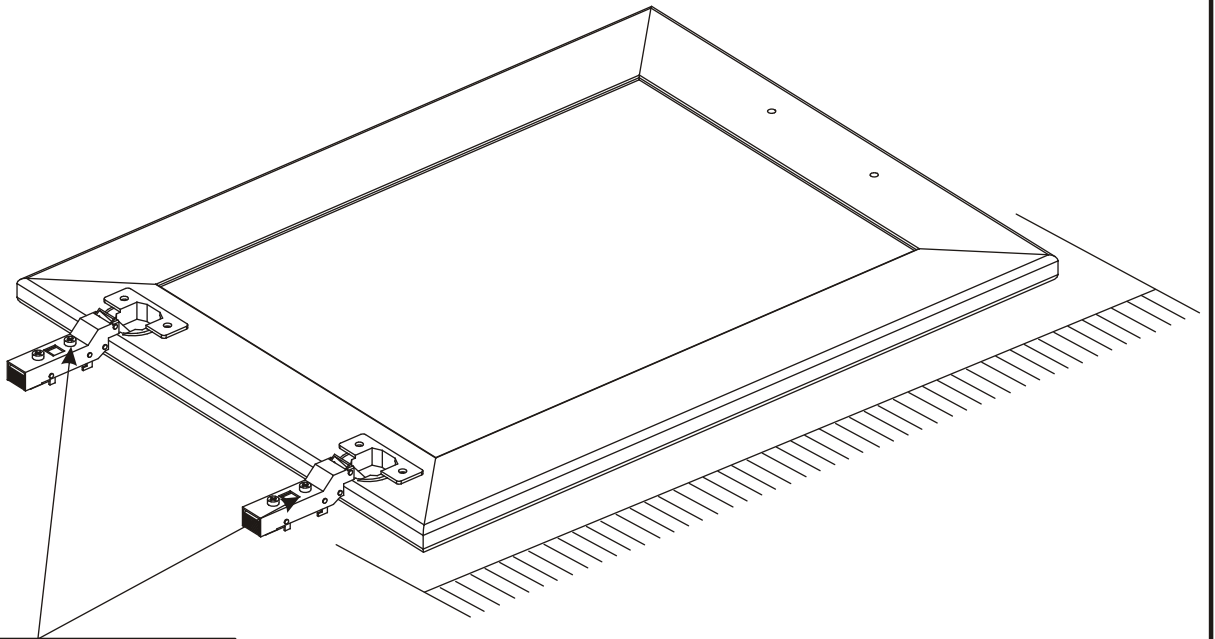
E0	
x2	H=11

E13	
x2	H=2

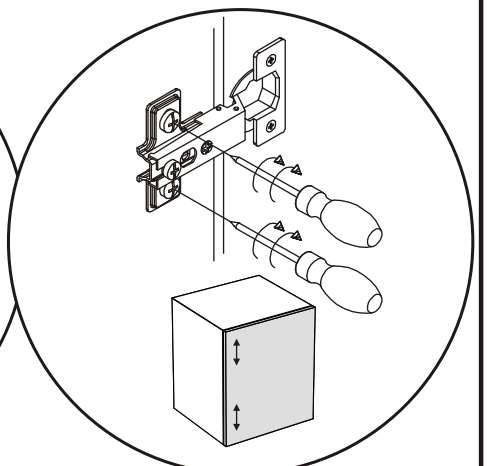
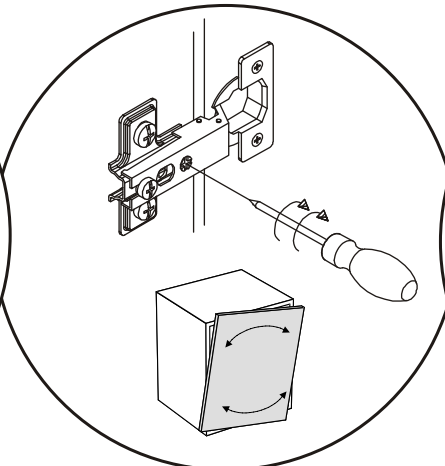
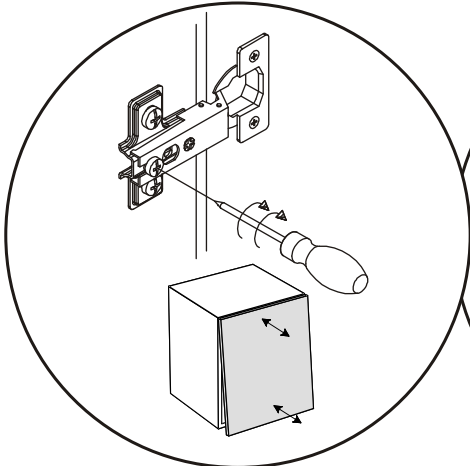
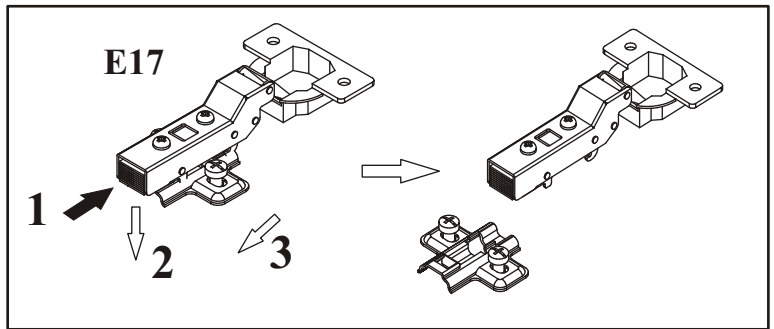
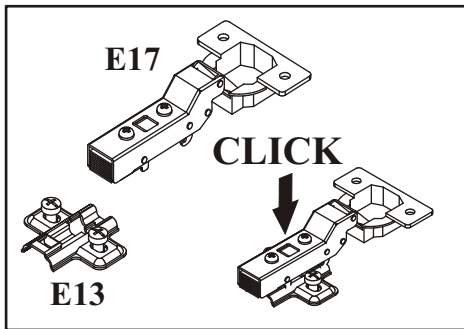
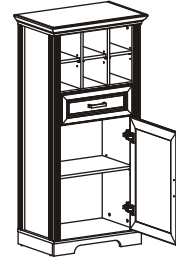
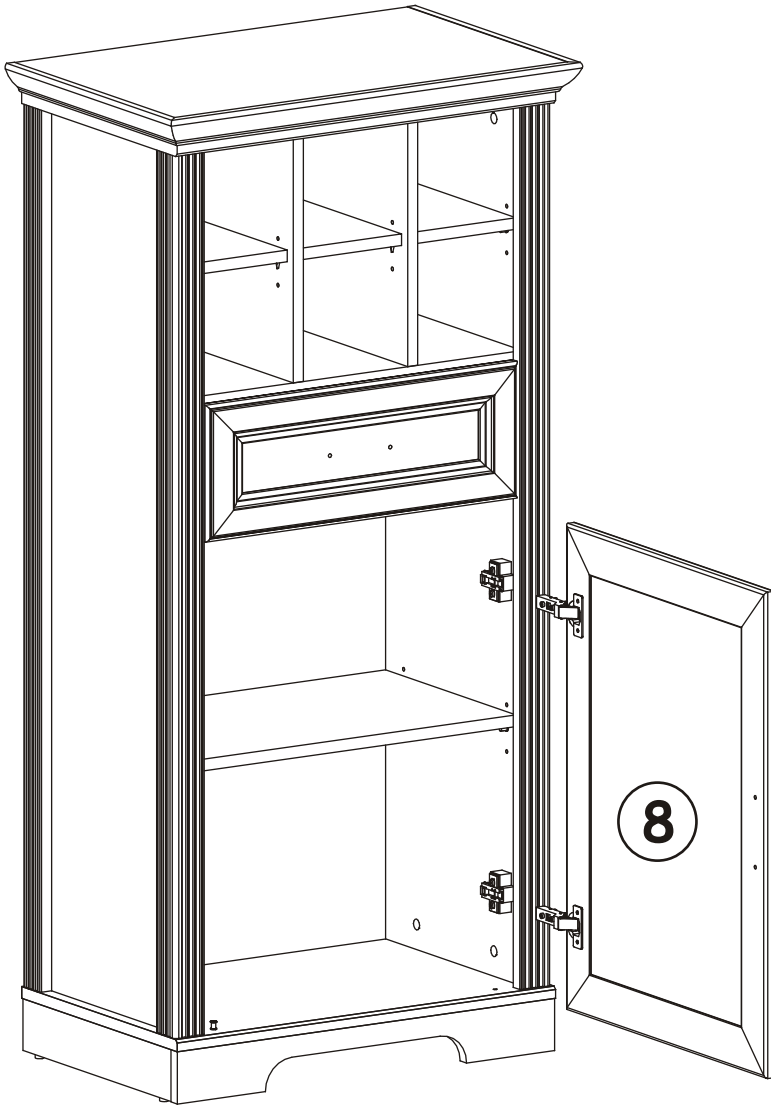
Z2	
x5	Ø5

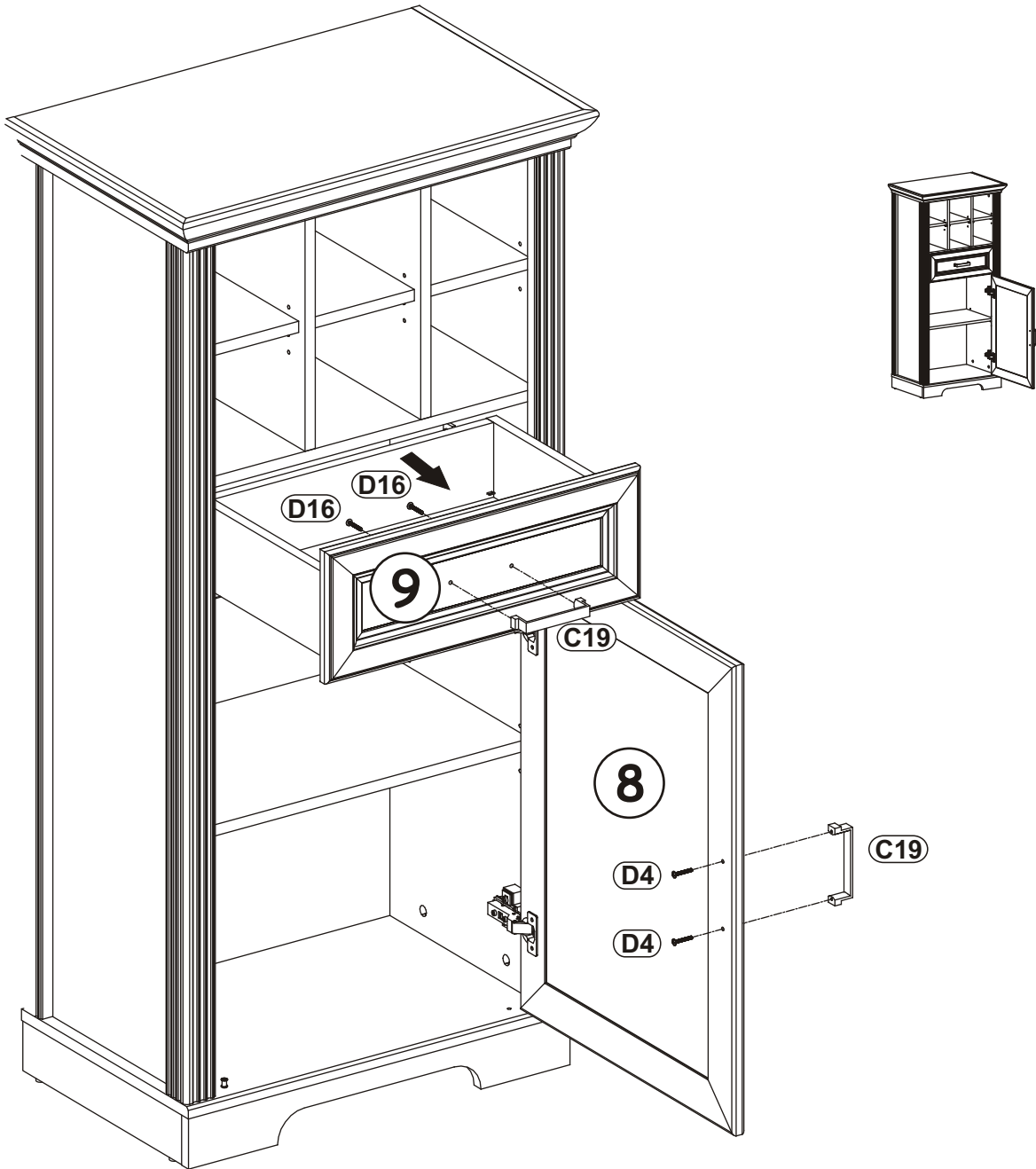
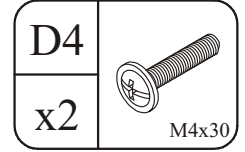
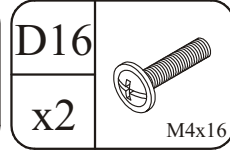
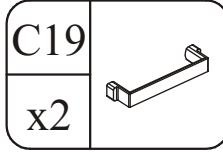


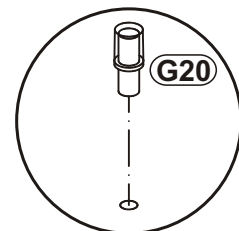
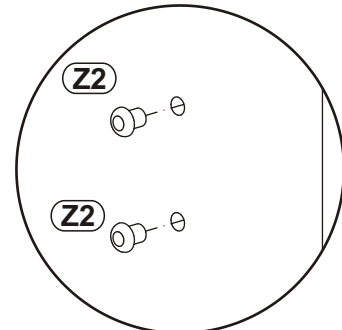
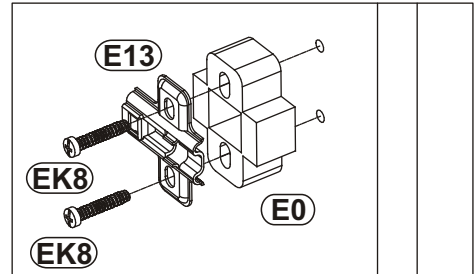
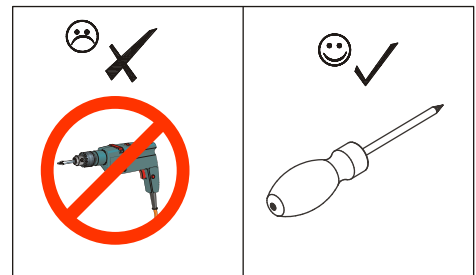
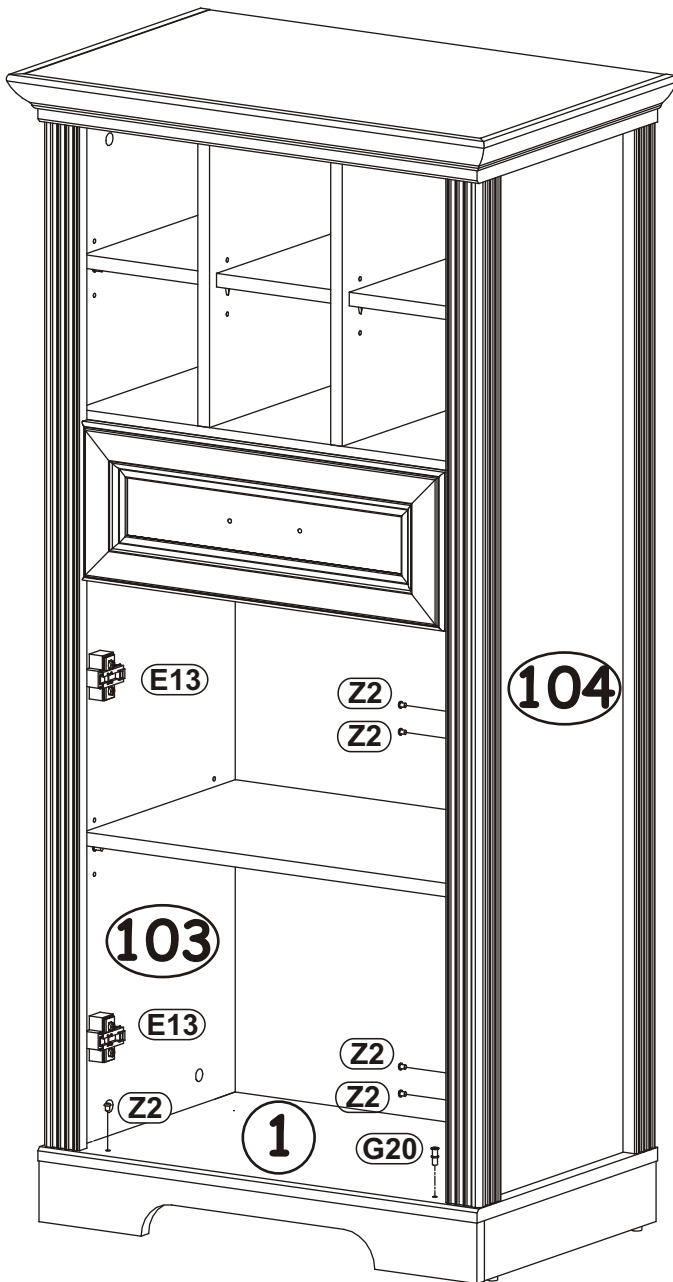
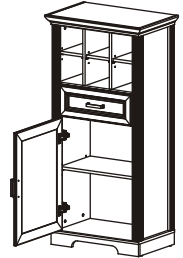
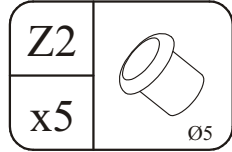
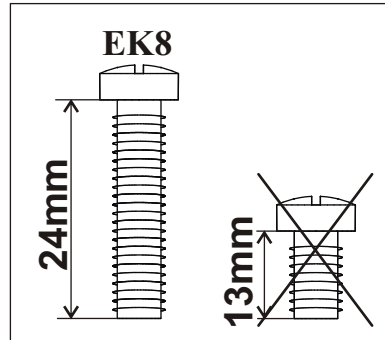
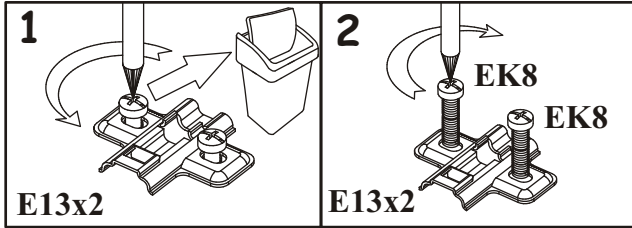
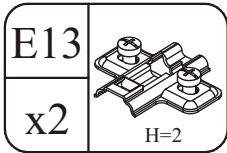
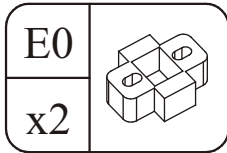
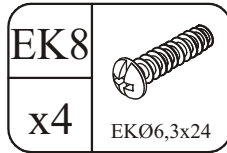
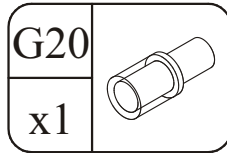
23

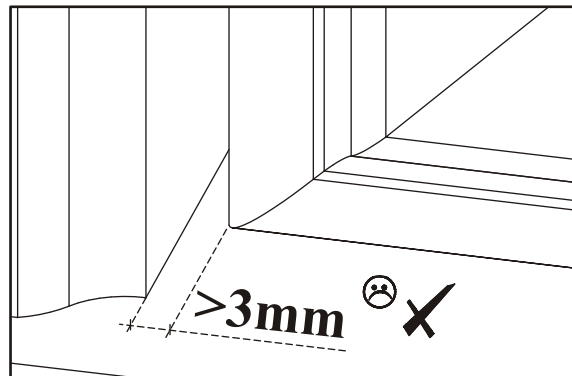
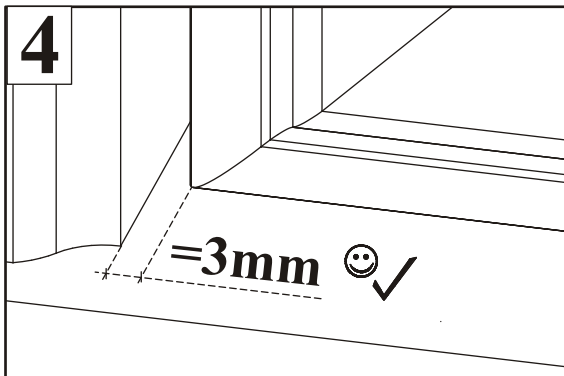
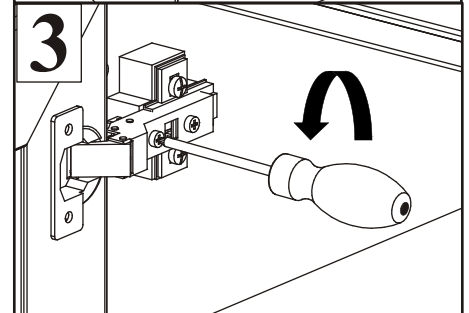
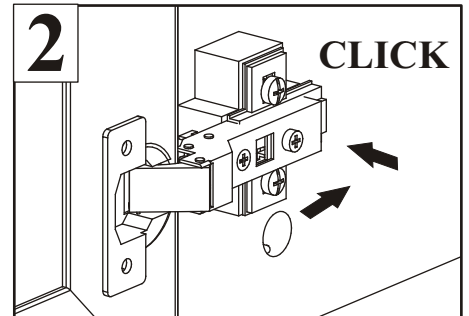
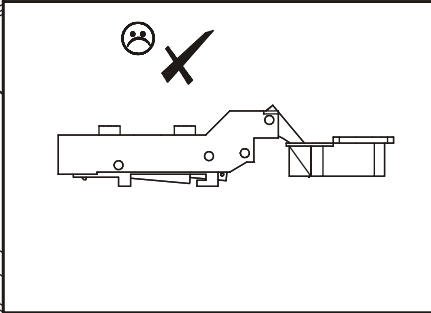
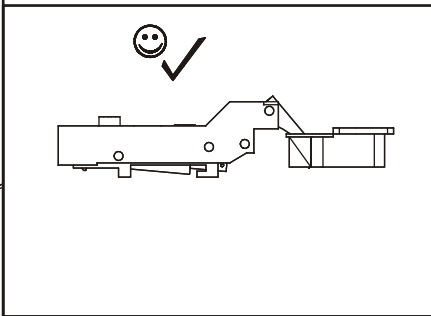
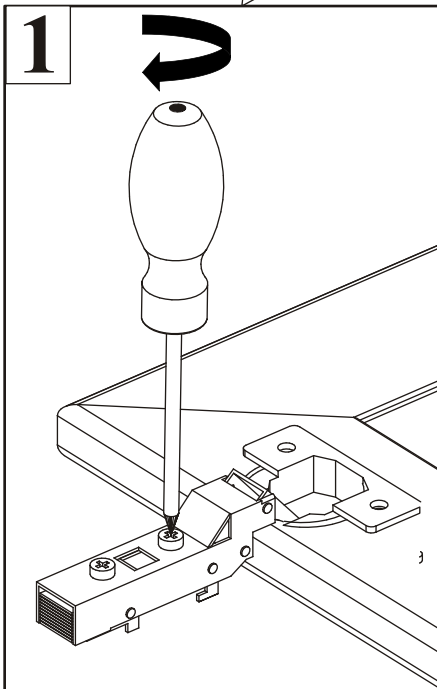
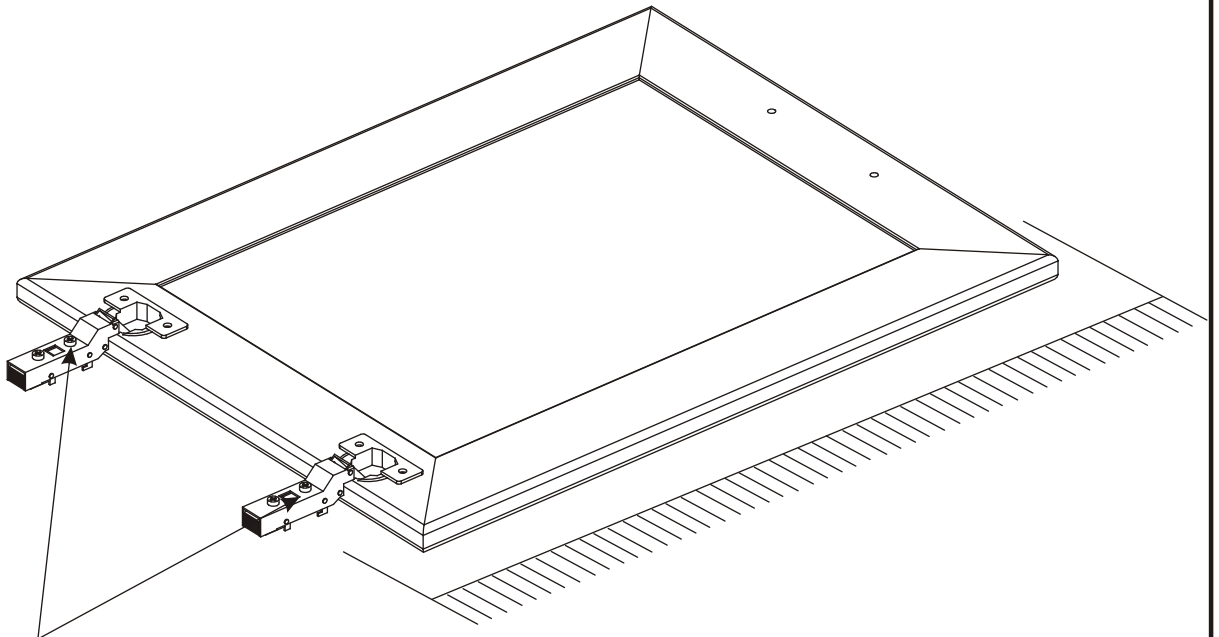


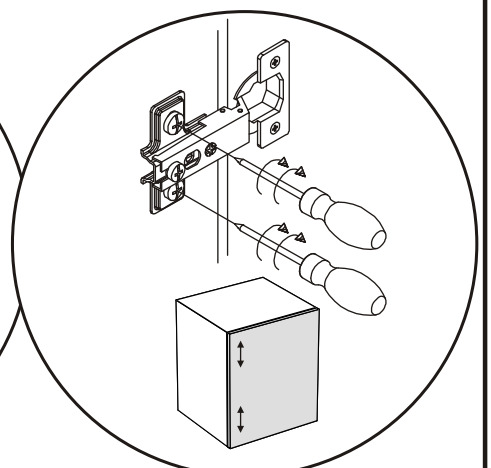
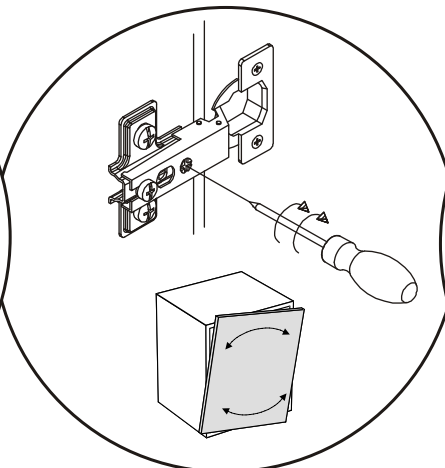
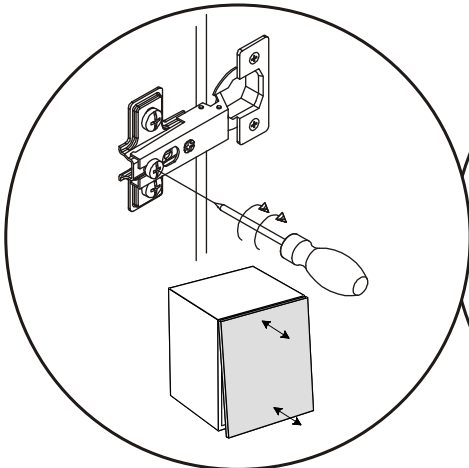
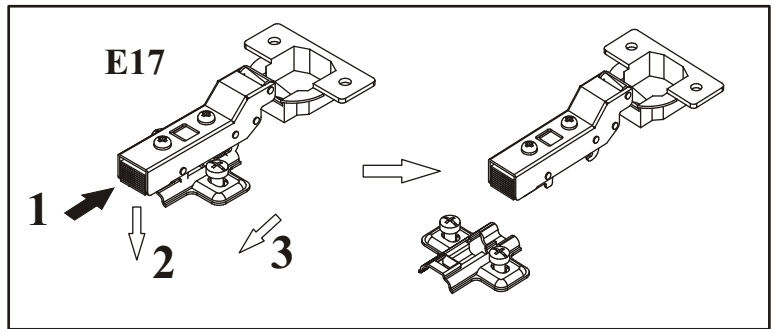
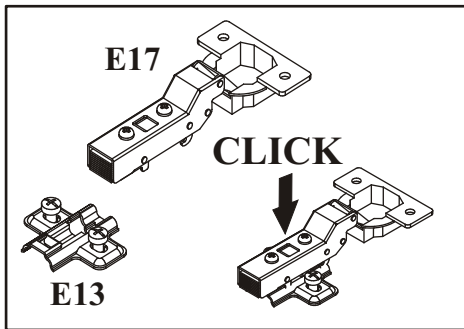
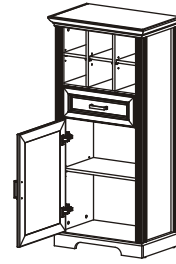
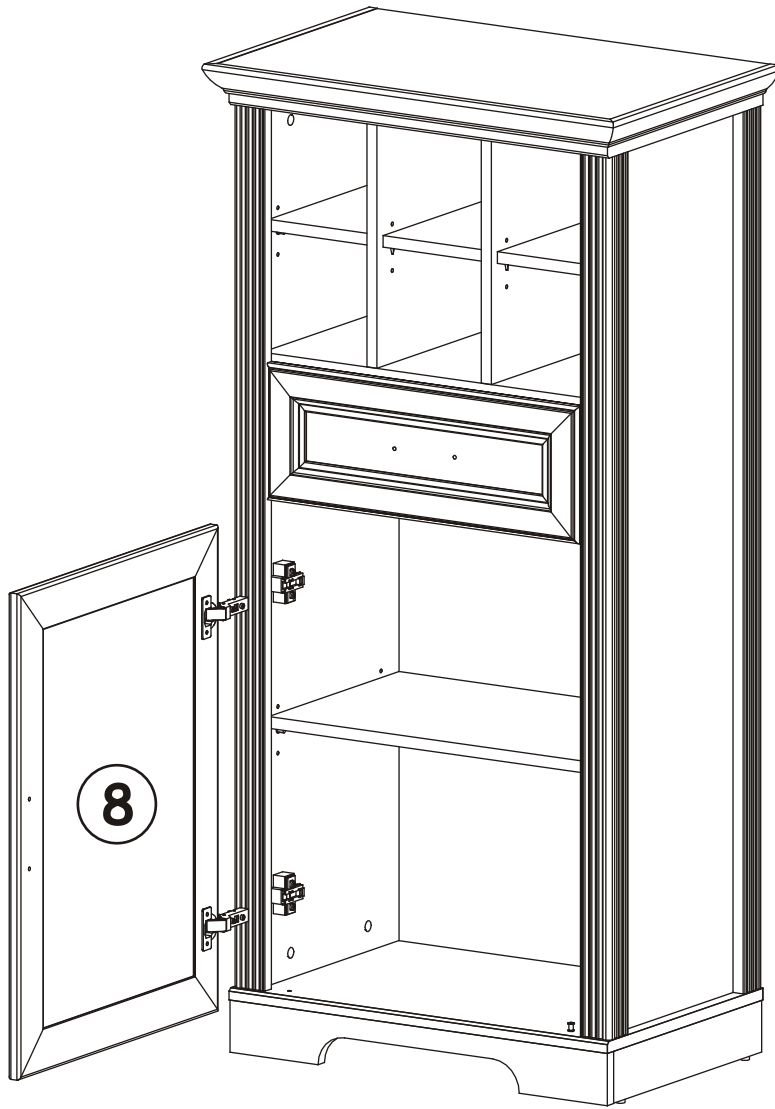
24

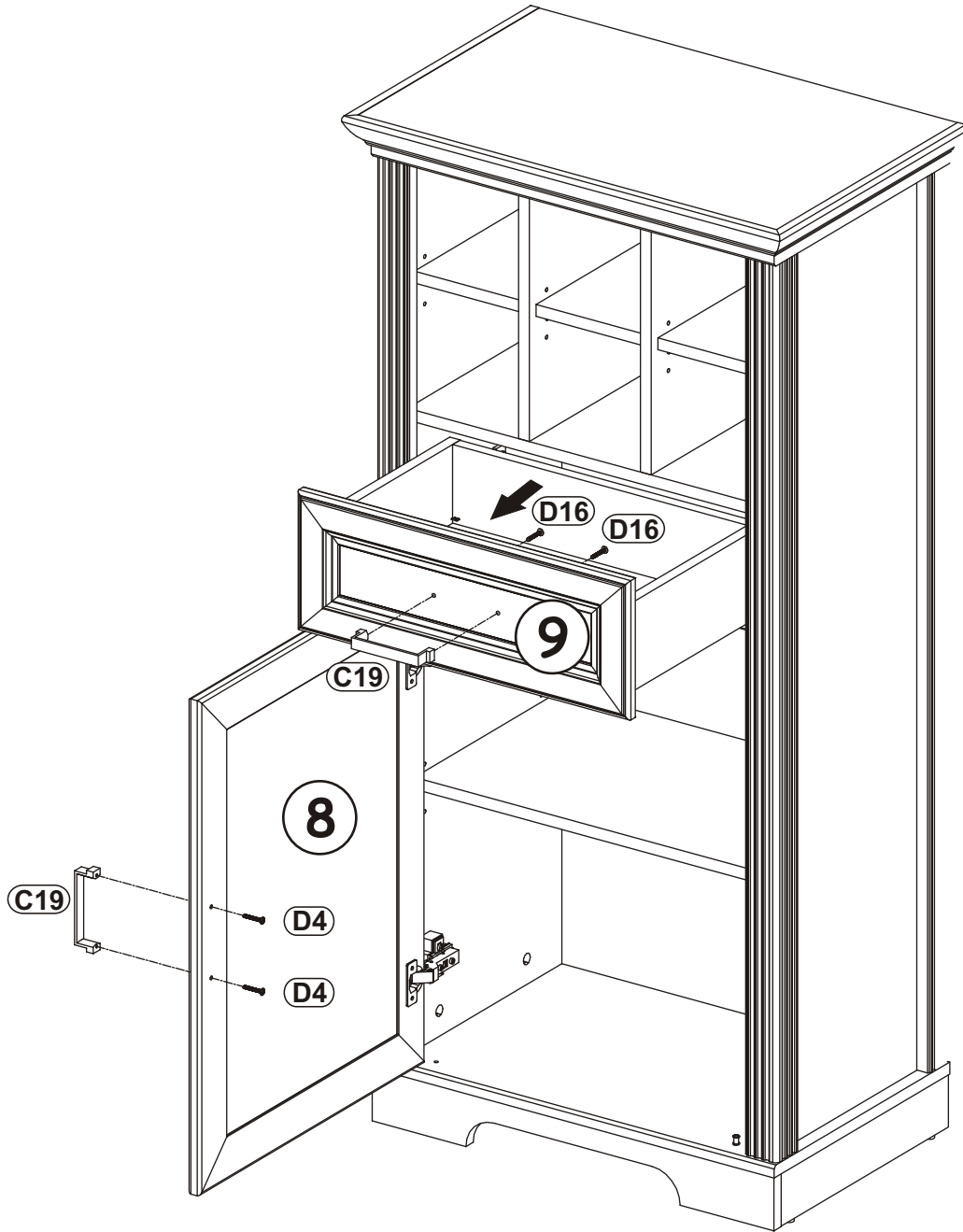
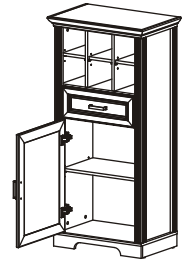
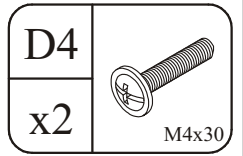
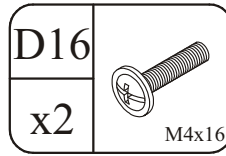
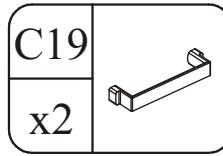




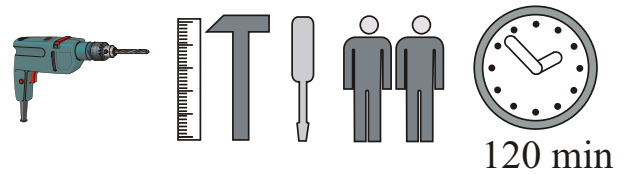
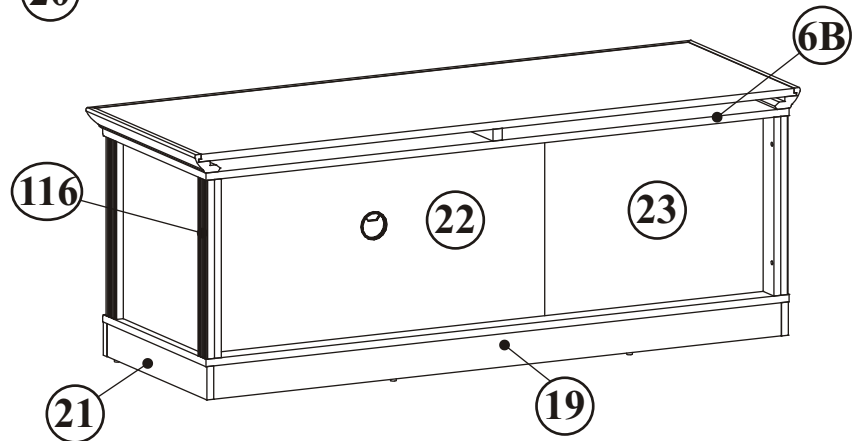
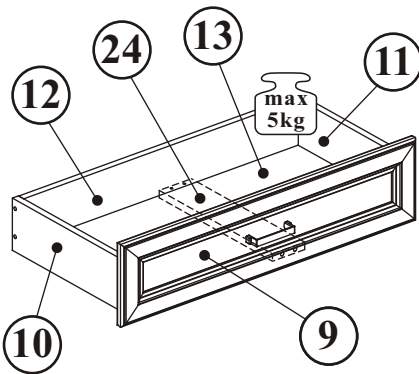
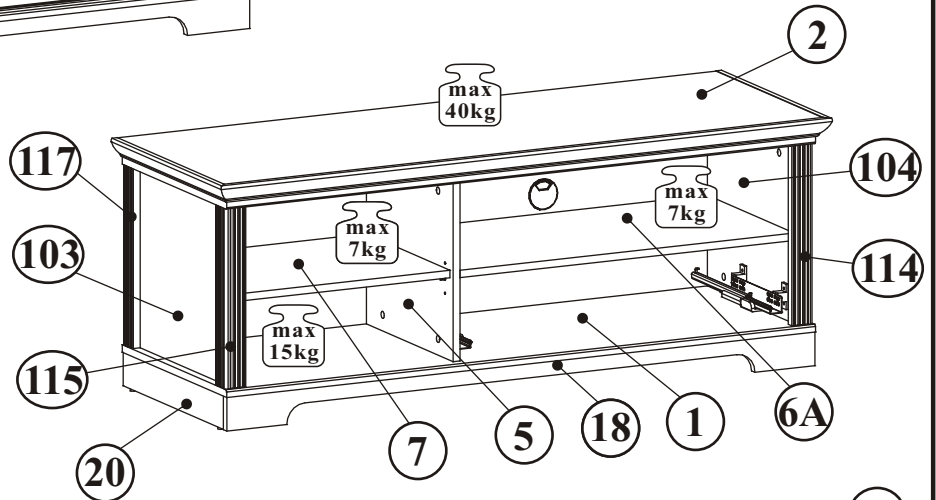
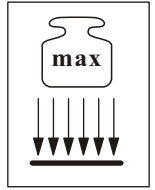
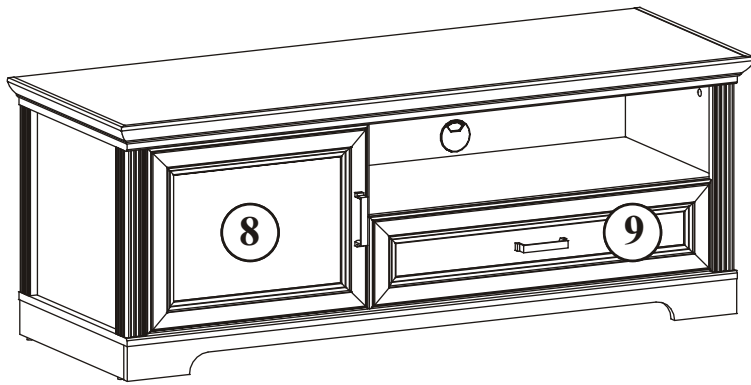








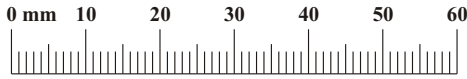
JASMIN 10G9_31




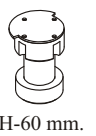
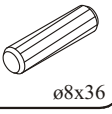
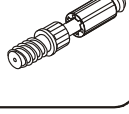


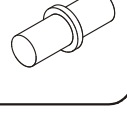
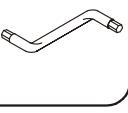
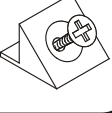
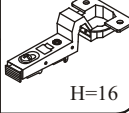
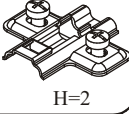

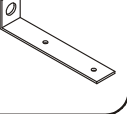
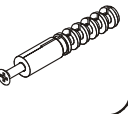



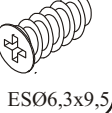
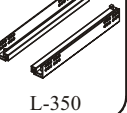




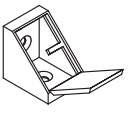
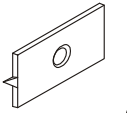

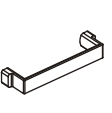




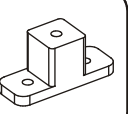


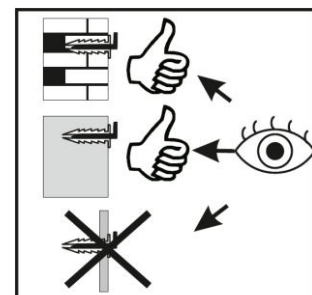
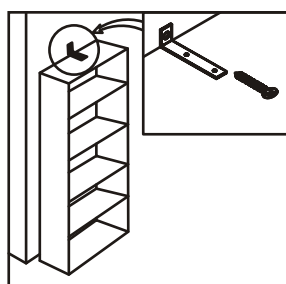
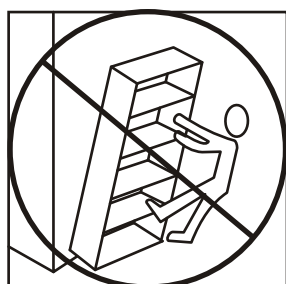
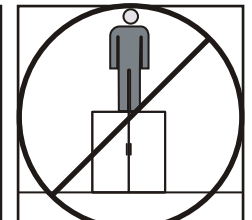
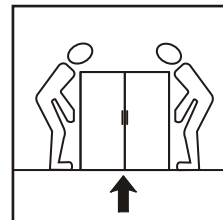
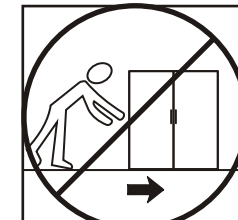
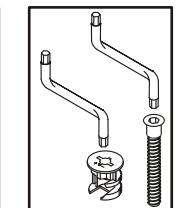
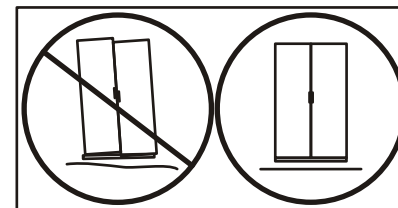
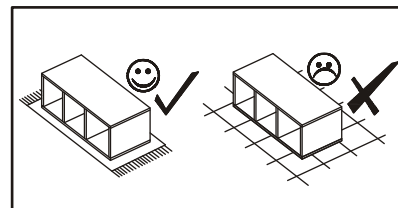
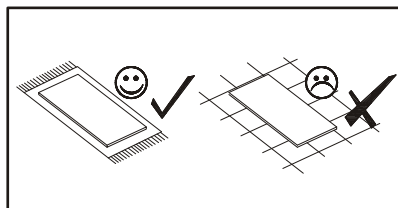
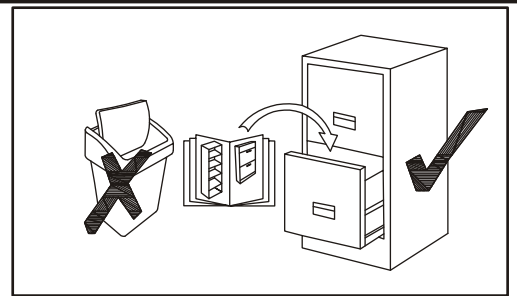
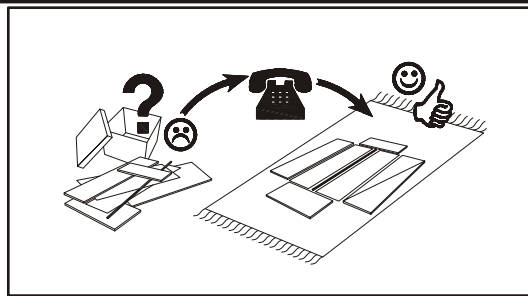
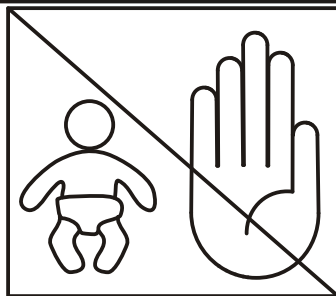
NO	Dim.			Col.-No	Qty
1	1376	482	16	1	1
2	1429	508	42	2	1
103	386	455	16	2	1
104	386	455	16	2	1
5	386	401	16	2	1
6A	781	401	16	1	1
6B	1376	482	16	2	1
7	507	386	16	1	1
8	380	496	22	1	1
9	770	188	22	1	1
10	350	120	16	1	1
11	350	120	16	1	1

NO	Dim.			Col.-No	Qty
12	716	106	16	1	1
13	354	728	3	1	1
114	386	49	49	1	1
115	386	49	49	1	1
116	386	43	19	1	1
117	386	43	19	1	1
18	1374	72	16	1	1
19	1340	72	16	1	1
20	465	72	16	1	1
21	465	72	16	1	1
22	795	398	3	1	1
23	521	398	3	1	1
24	349	80	16	1	1

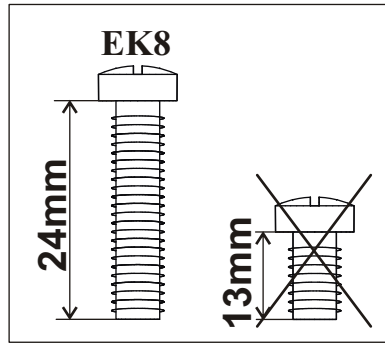
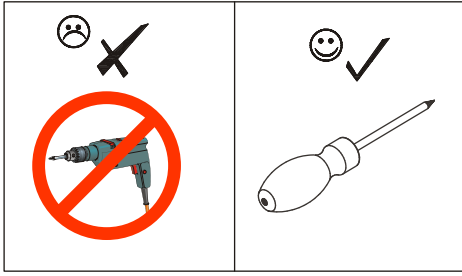
JASMIN 10G9_31


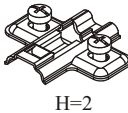


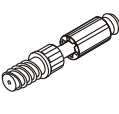
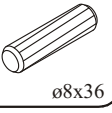
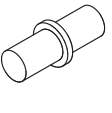

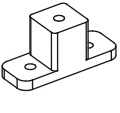


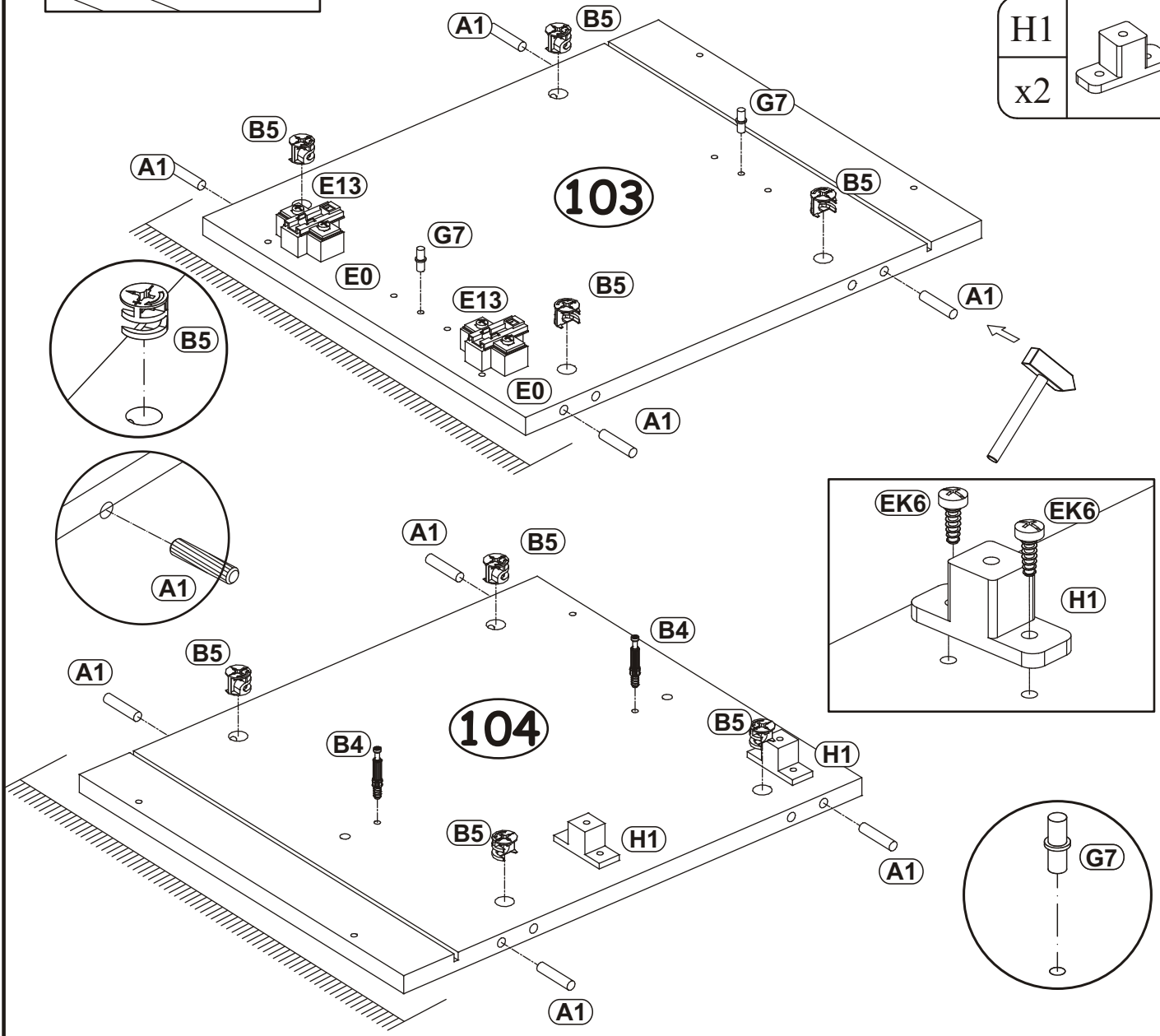
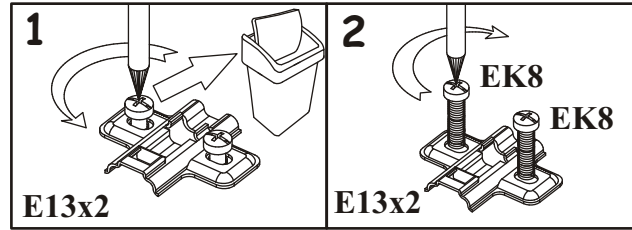
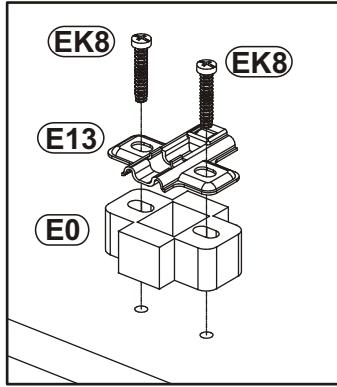
D24 x8  USØ4x30	G12 x16  Ø14	UP9 x4  UPØ3,5x16	I9 x1  H=60 mm.
A1 x36  ø8x36	B4 x32 	B5 x32  ø15x12	G5 x32 
G7 x4 	G2 x1 	S1 x14 	E17 x2  H=16
E13 x2  H=2	UP6 x2  UPØ4x30	L1 x2 	KR1 x2 
EK8 x4  EKØ6,3x24	D10 x14  USØ3,5x13	UP13 x9  UPØ3x16	D20 x4  ESØ6,3x9,5
QU x1  L-350	I2 x6 	B11 x4  Ø7x50	B14 x8  Ø7x30
G4 x4 	KM1 x3 	G16 x3 	E0 x2  H=11
C19 x2 	D16 x2  M4x16	D4 x2  M4x30	G18 x1  Ø60
EK6 x4  EKØ6,3x13	H1 x2 		



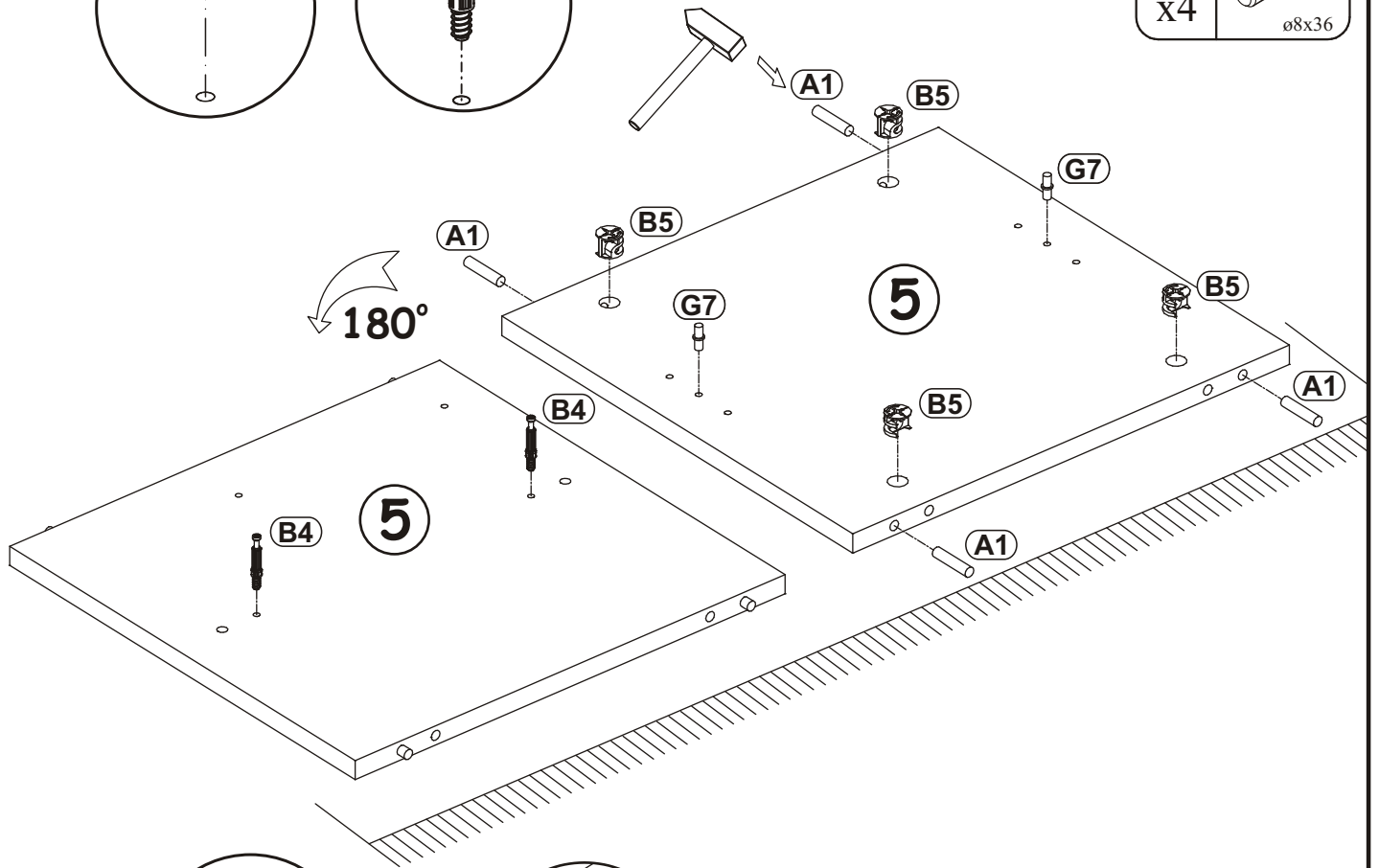
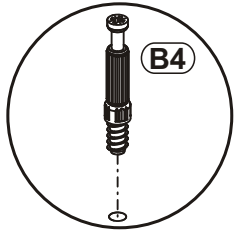
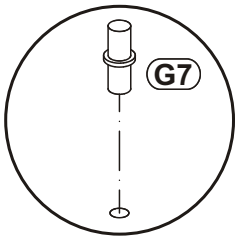
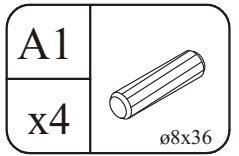
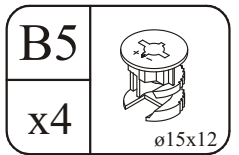
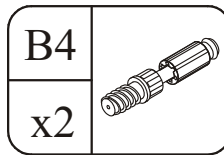
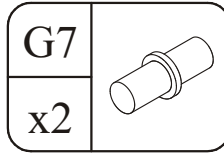
1



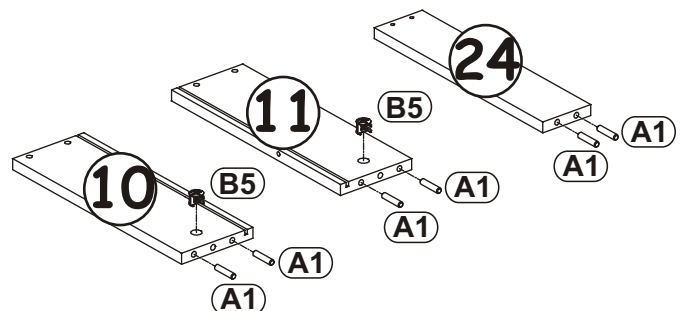
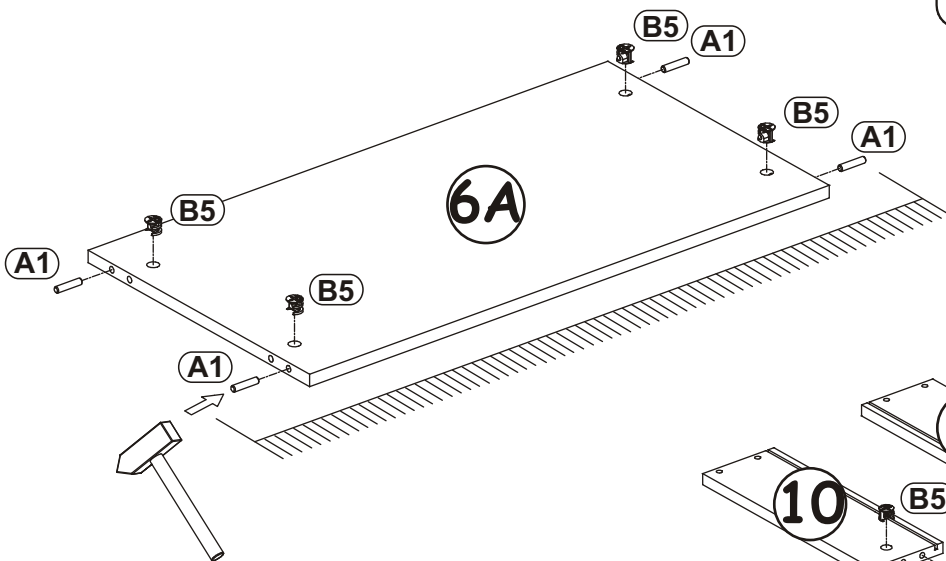
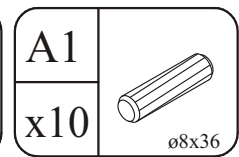
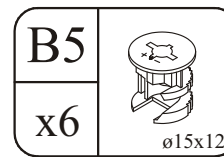
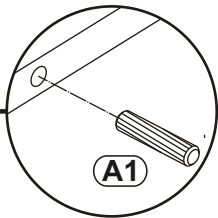
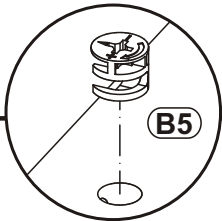
E0 x2	 H=11	E13 x2	 H=2
B5 x8	 ø15x12	EK8 x4	 EKØ6,3x24
B4 x2		A1 x8	 ø8x36
G7 x2		EK6 x4	 EKØ6,3x13
H1 x2			



2

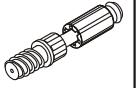


3

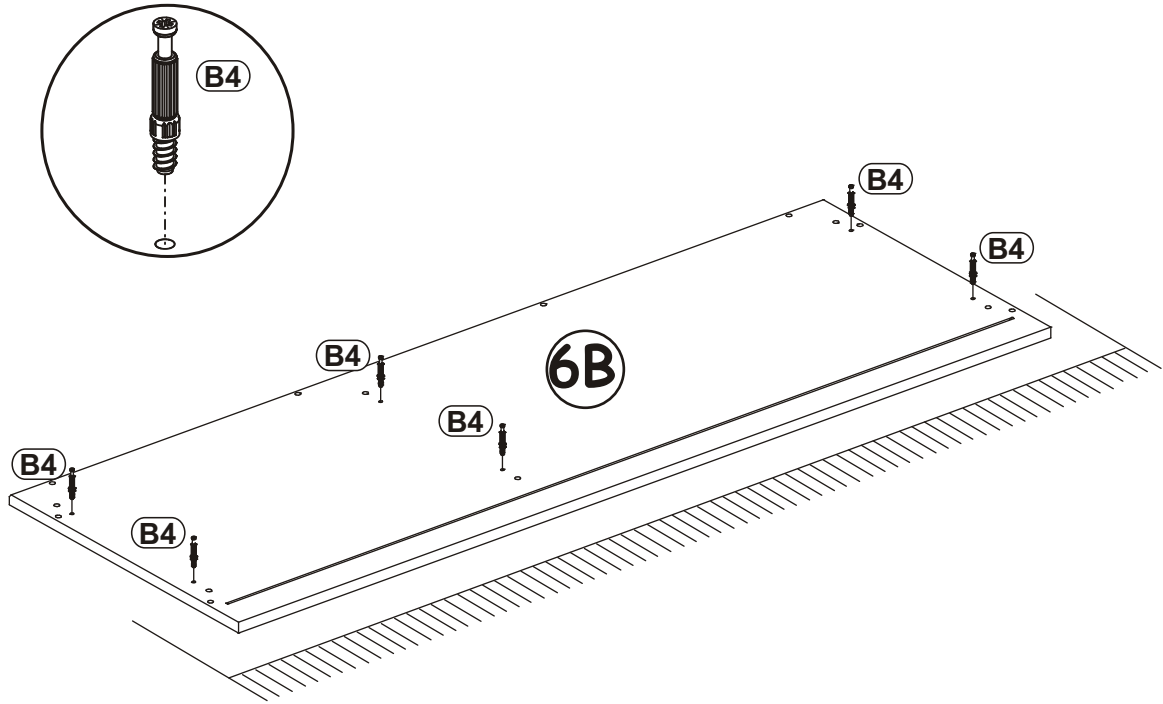


B4

x6



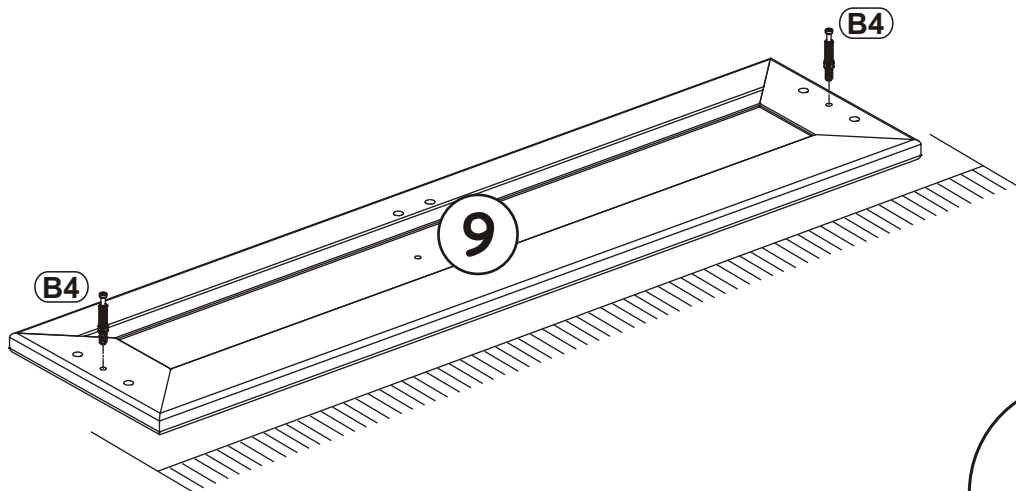
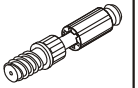
4



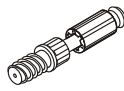

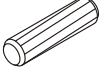
5

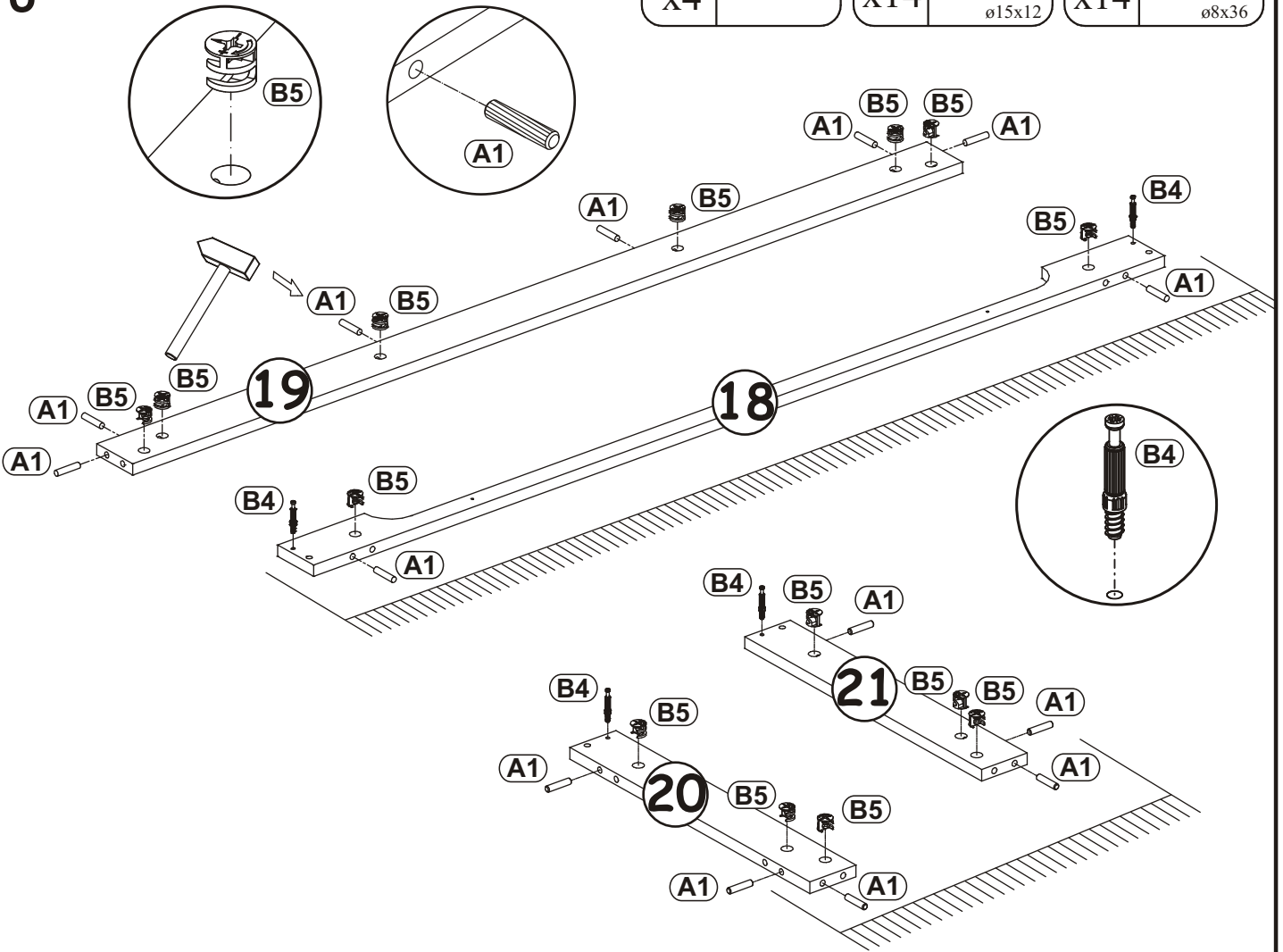
B4

x2

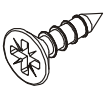
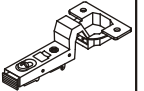


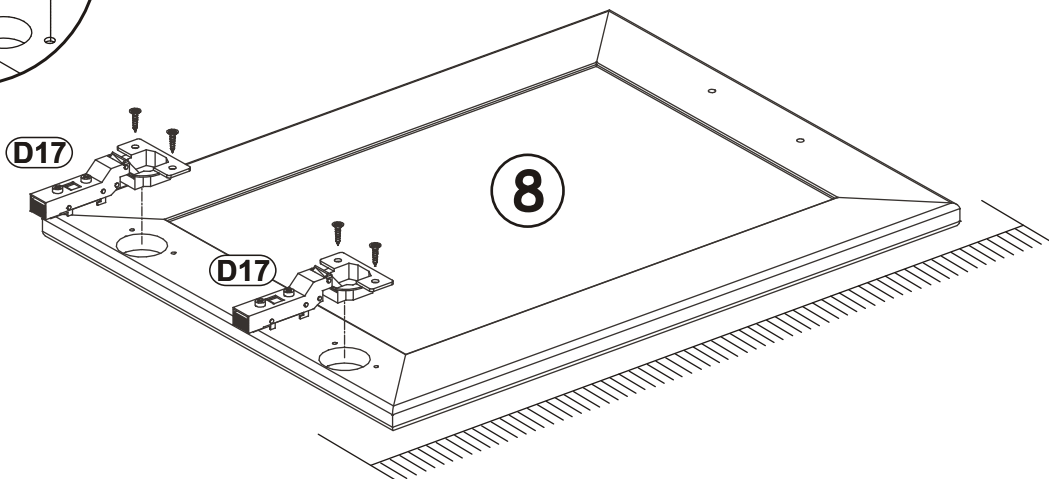
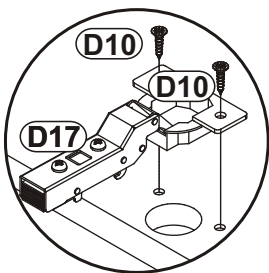
6

B4		B5		A1	
x4		x14	ø15x12	x14	ø8x36

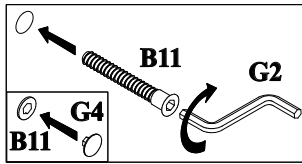


7

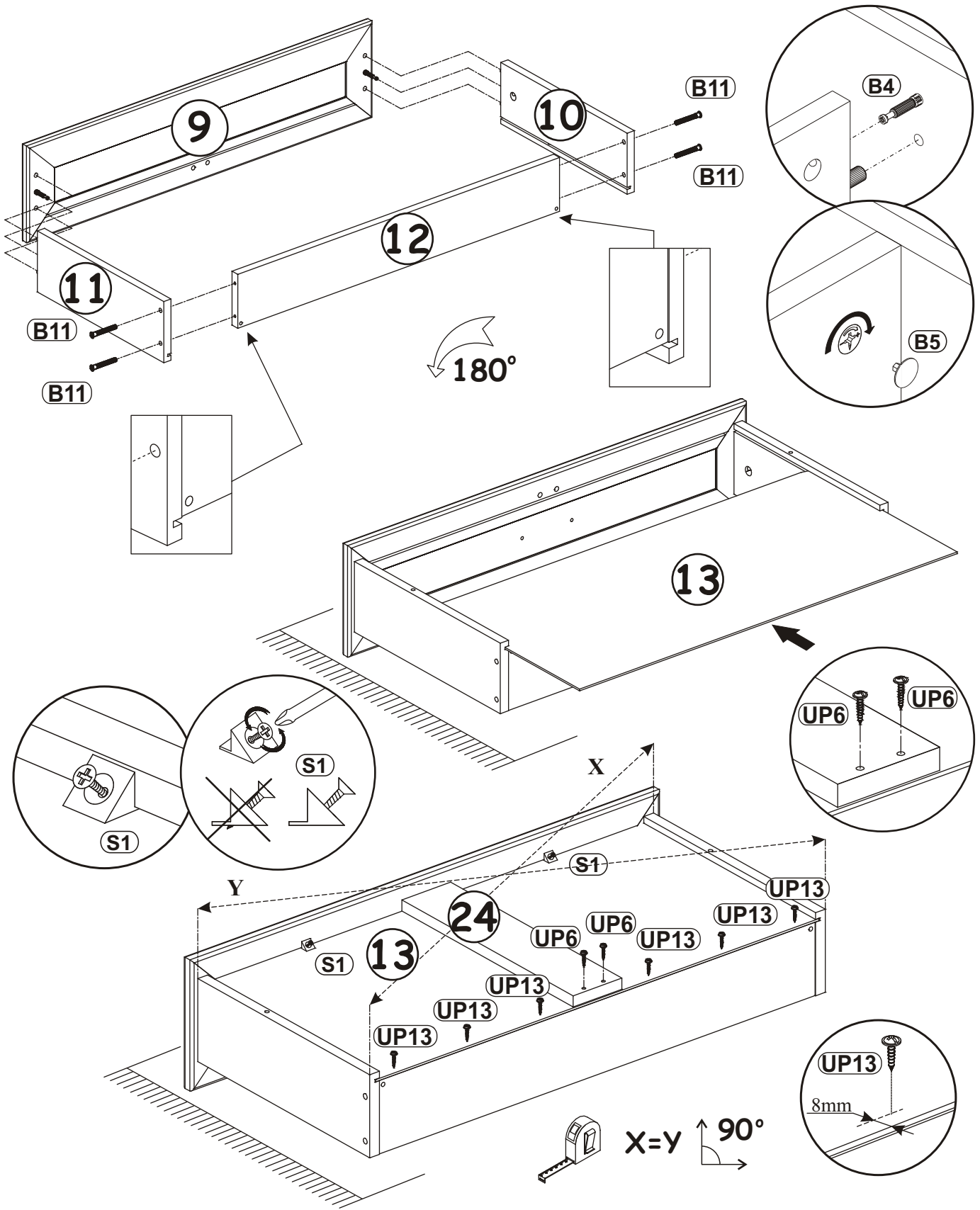
D10		E17	
x4	USØ3,5x13	x2	H=16



8



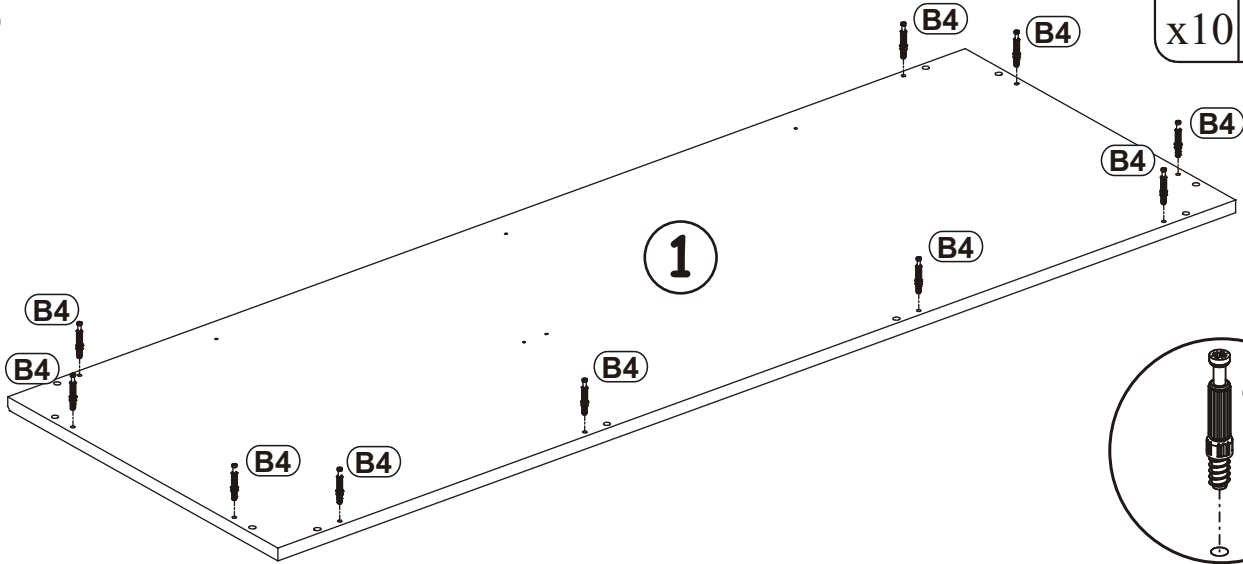
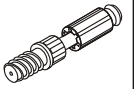
G5		B11		G4	
x2		x4	Ø7x50	x4	
UP13		S1		UP6	
x6	UPØ3x16	x2		x2	UPØ4x30



9

B4

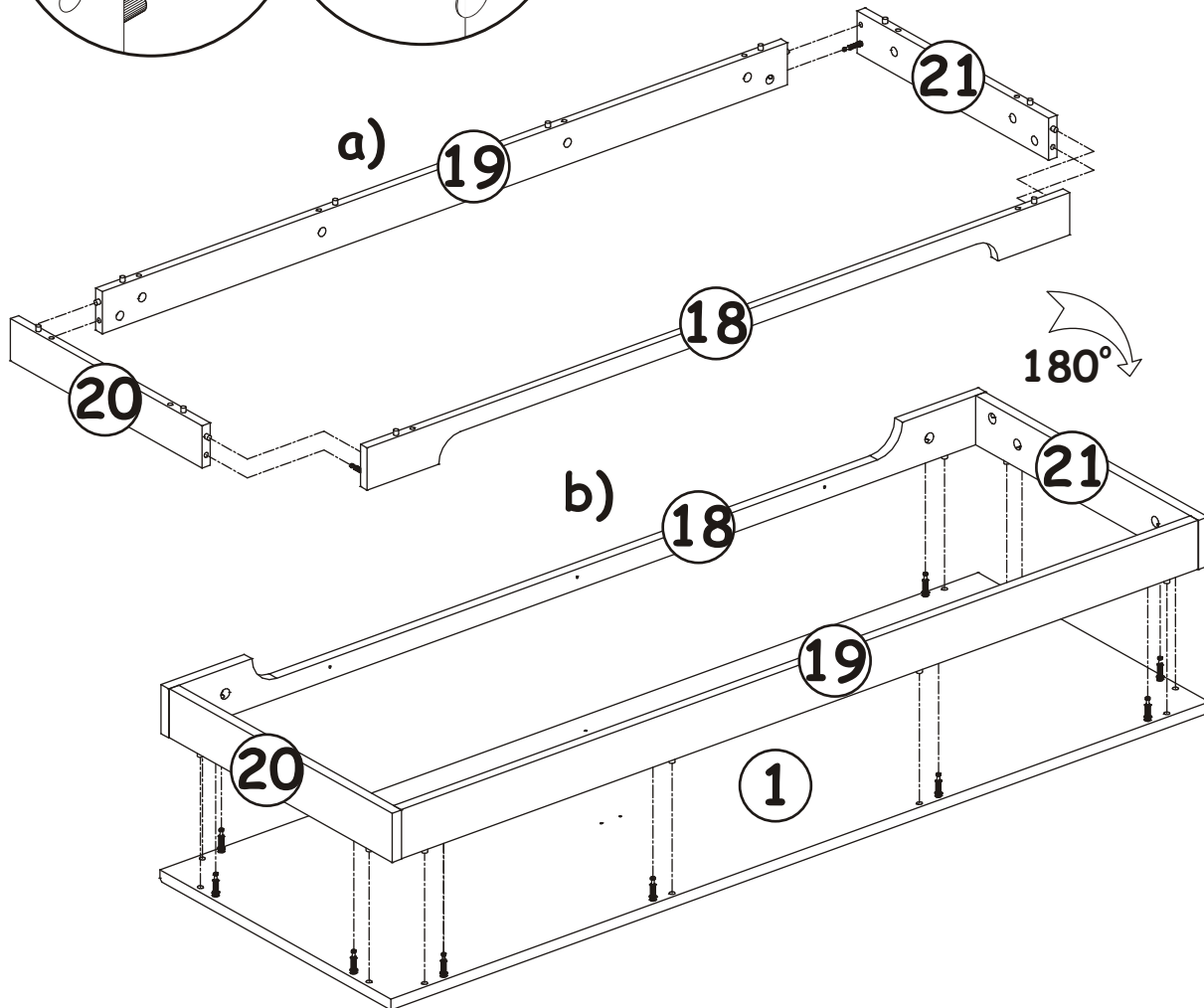
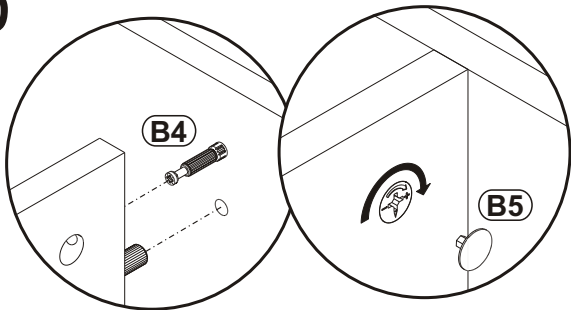
x10



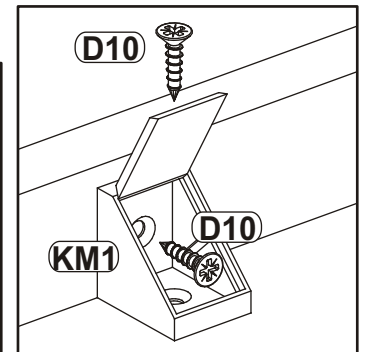
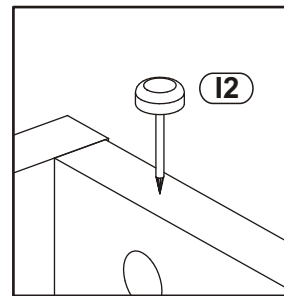
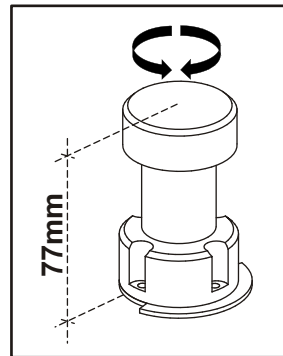
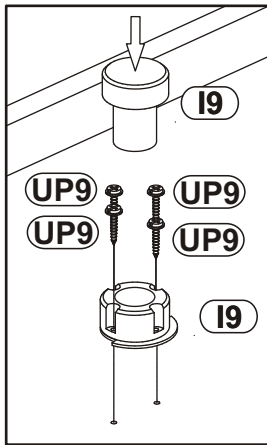
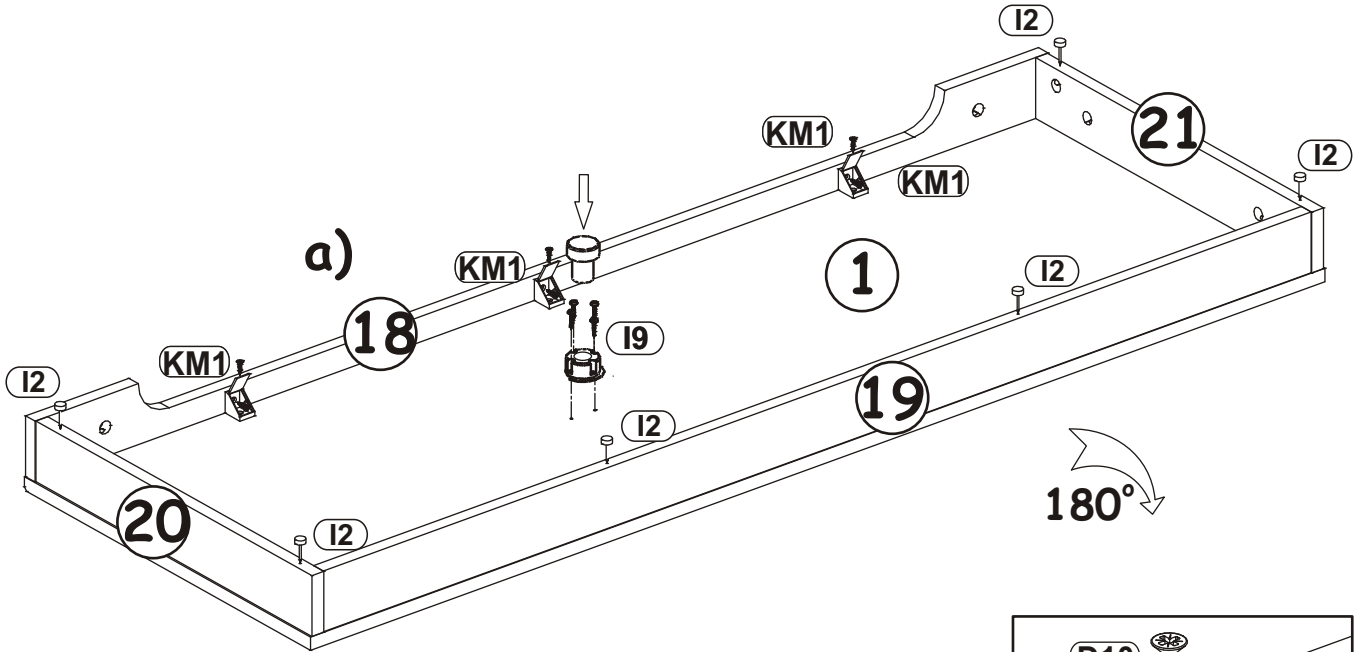
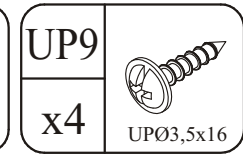
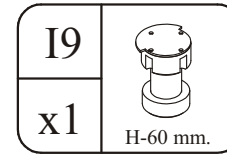
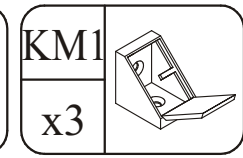
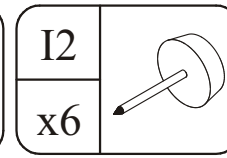
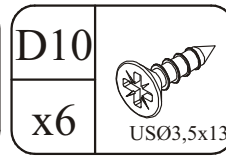
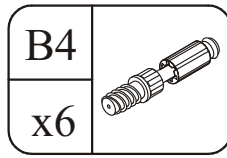
10

G5

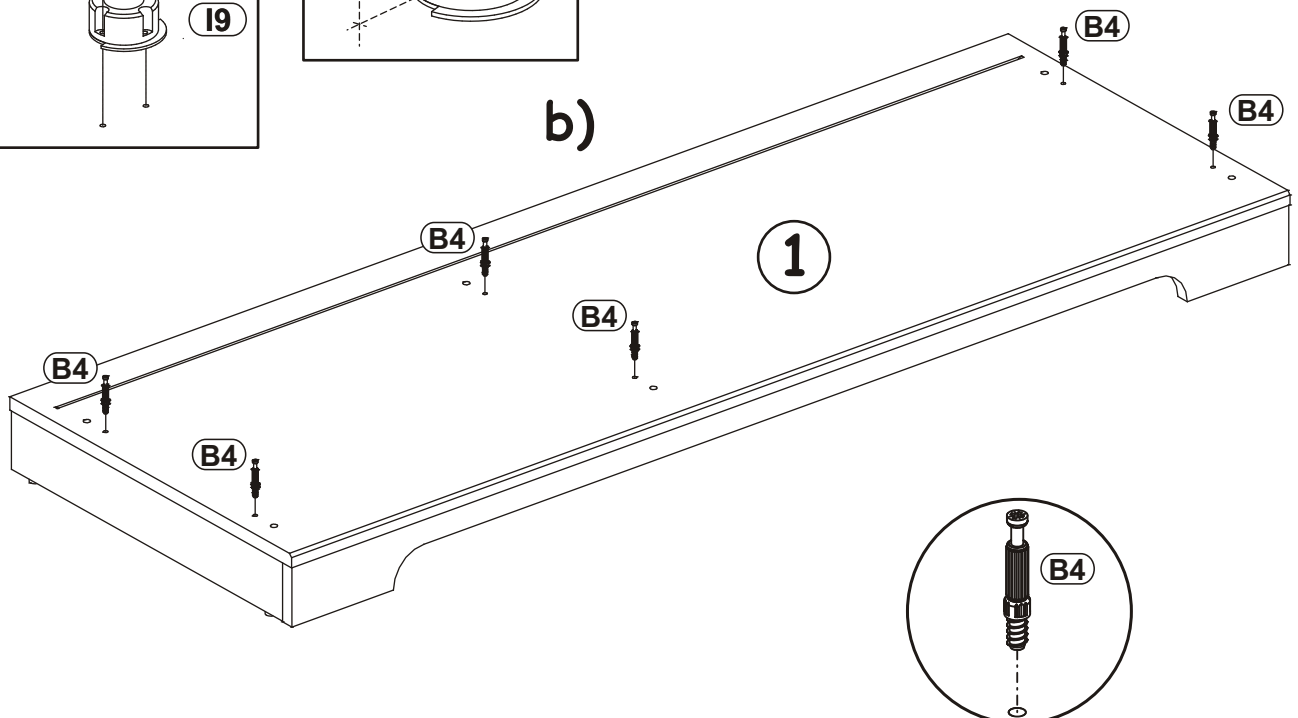
x14





11

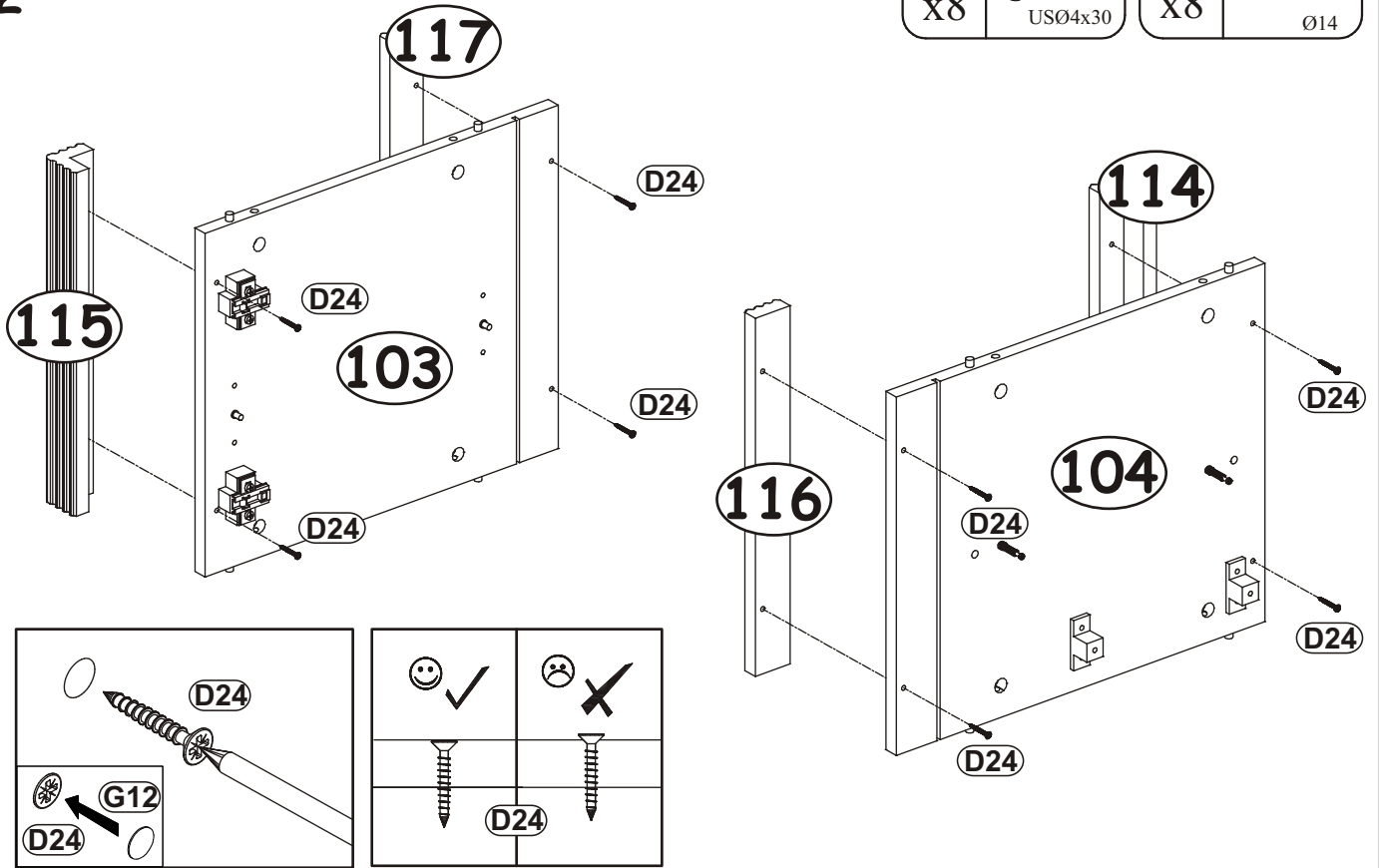


b)




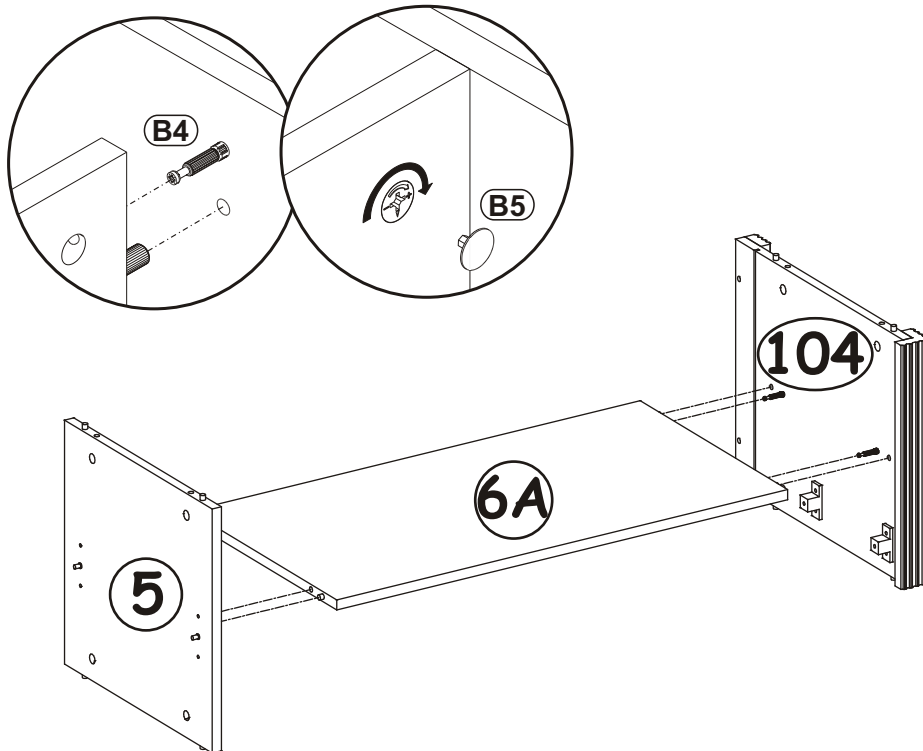
D24		G12	
x8	USØ4x30	x8	Ø14

12

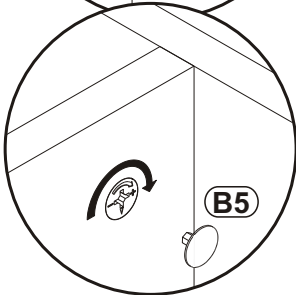
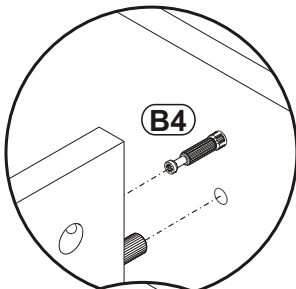
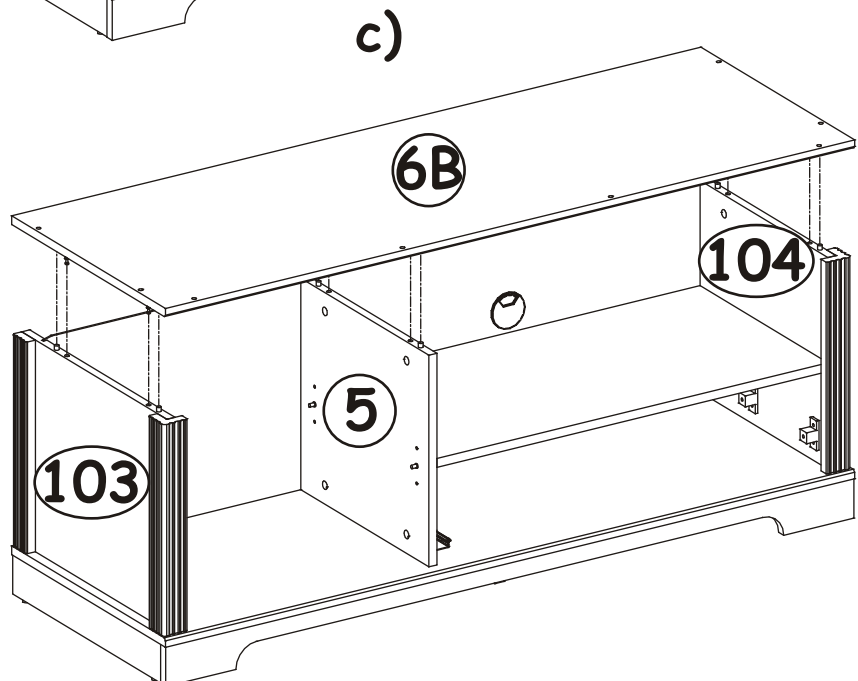
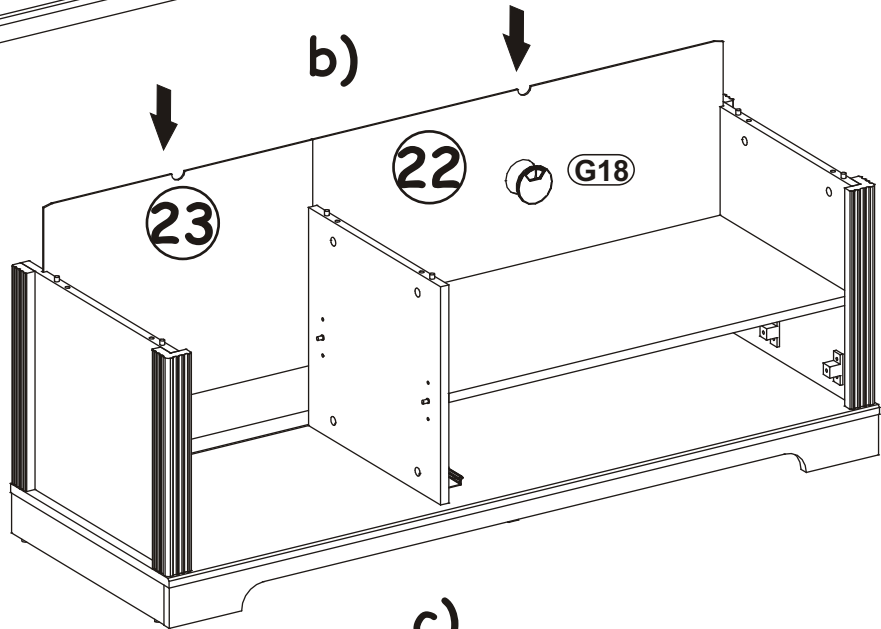
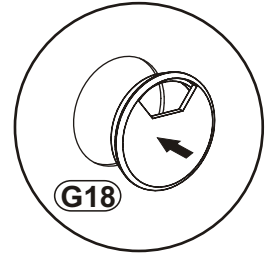
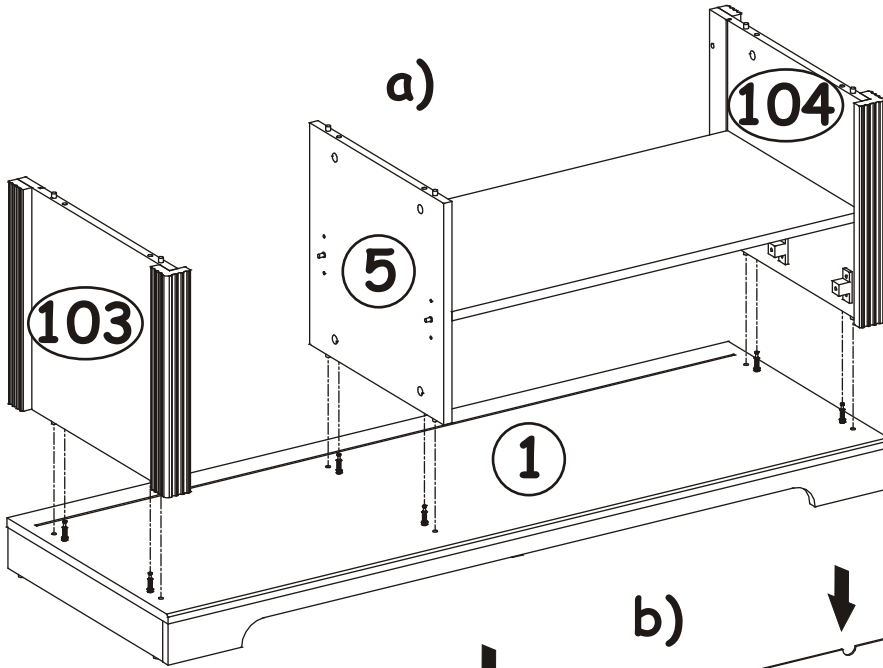
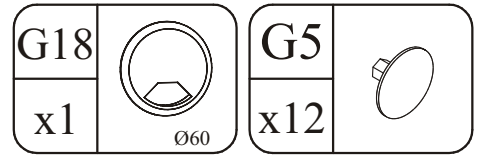


13

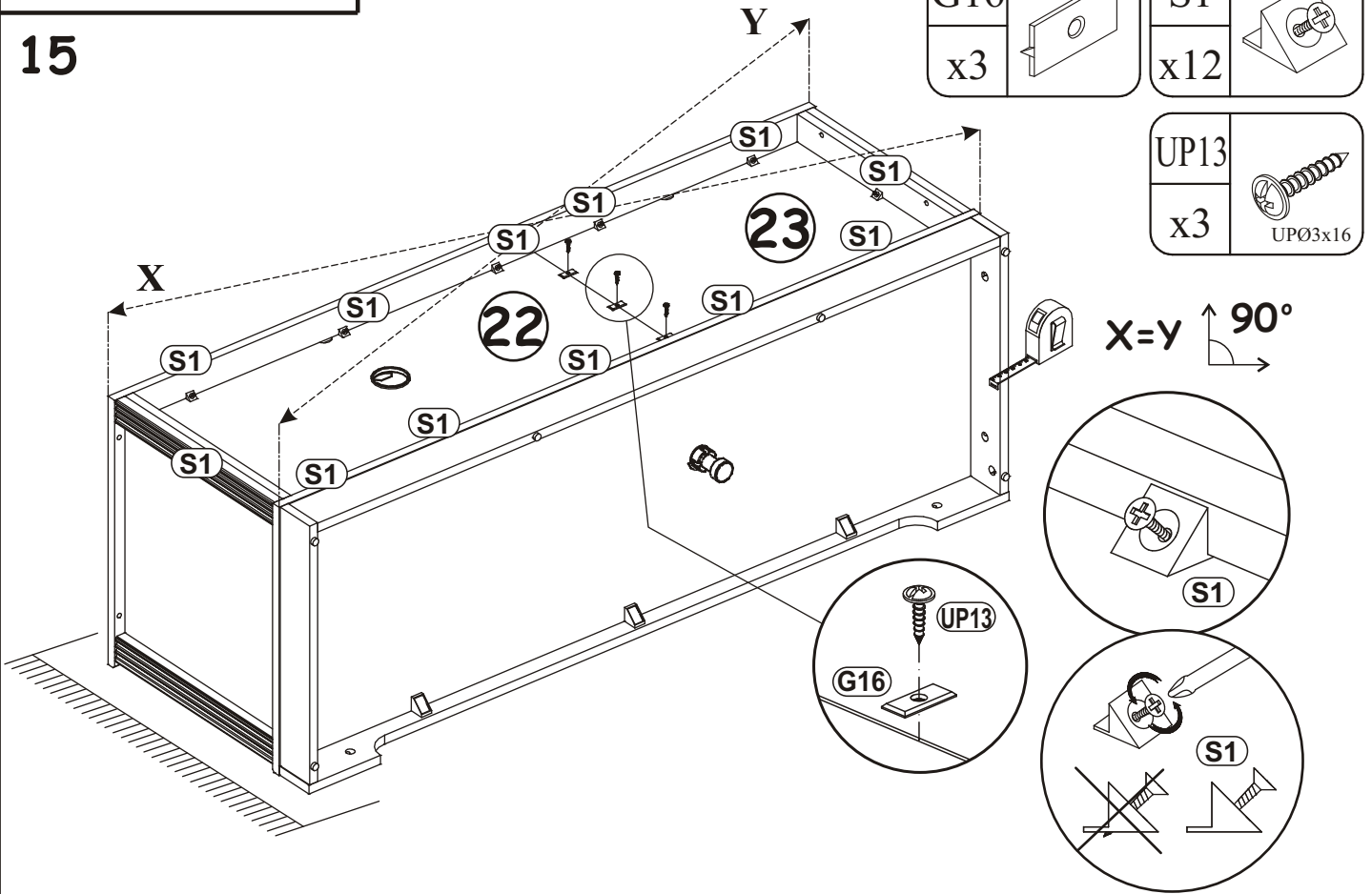
G5	
x4	



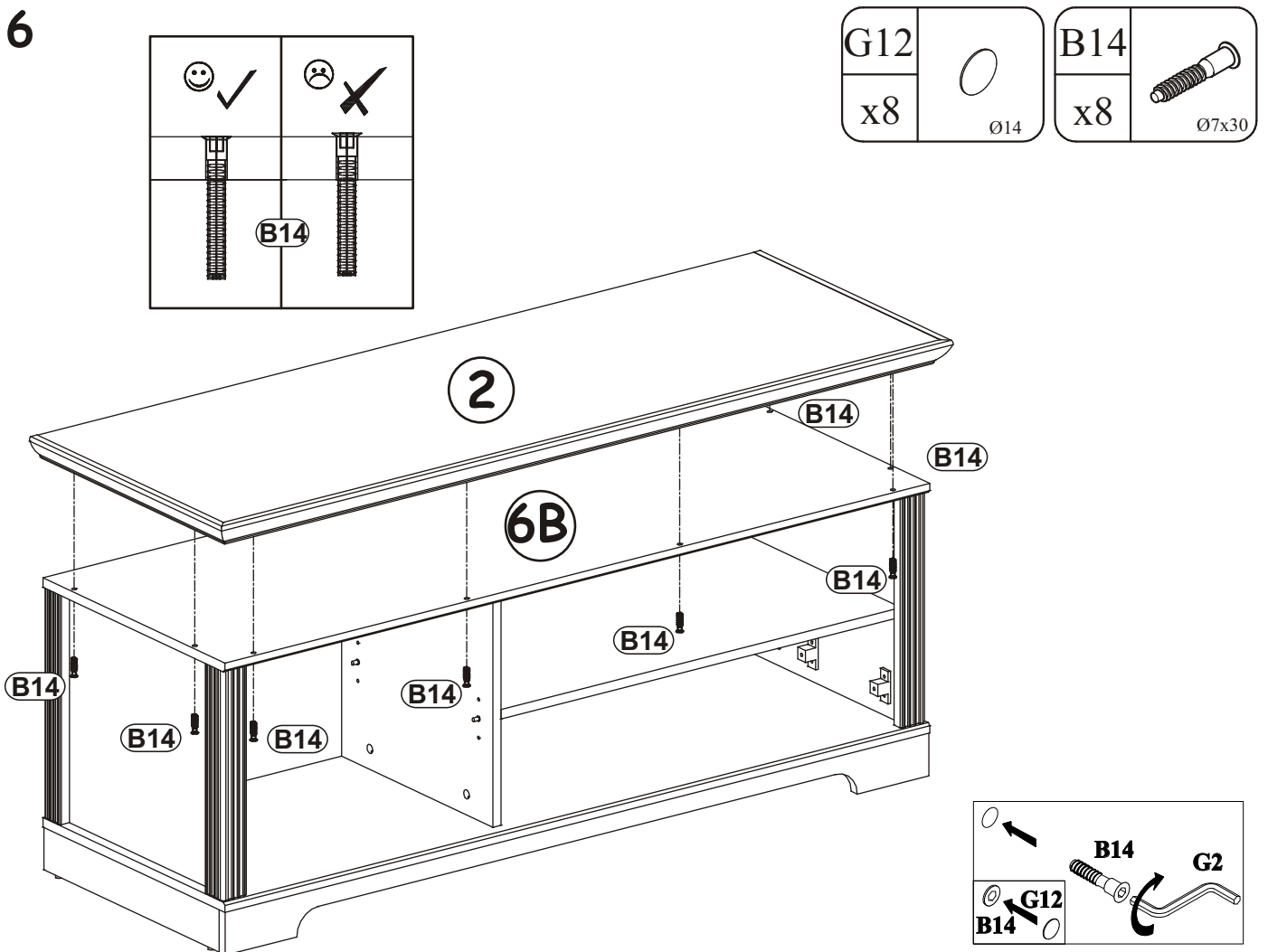
14


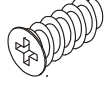
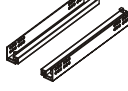


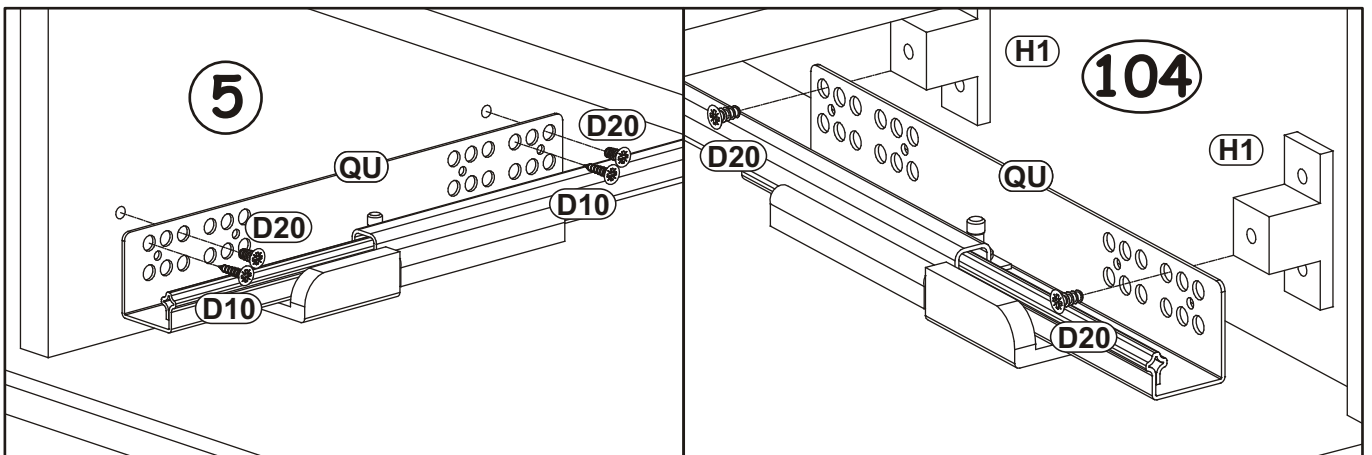
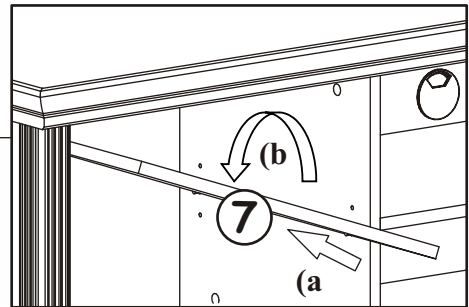
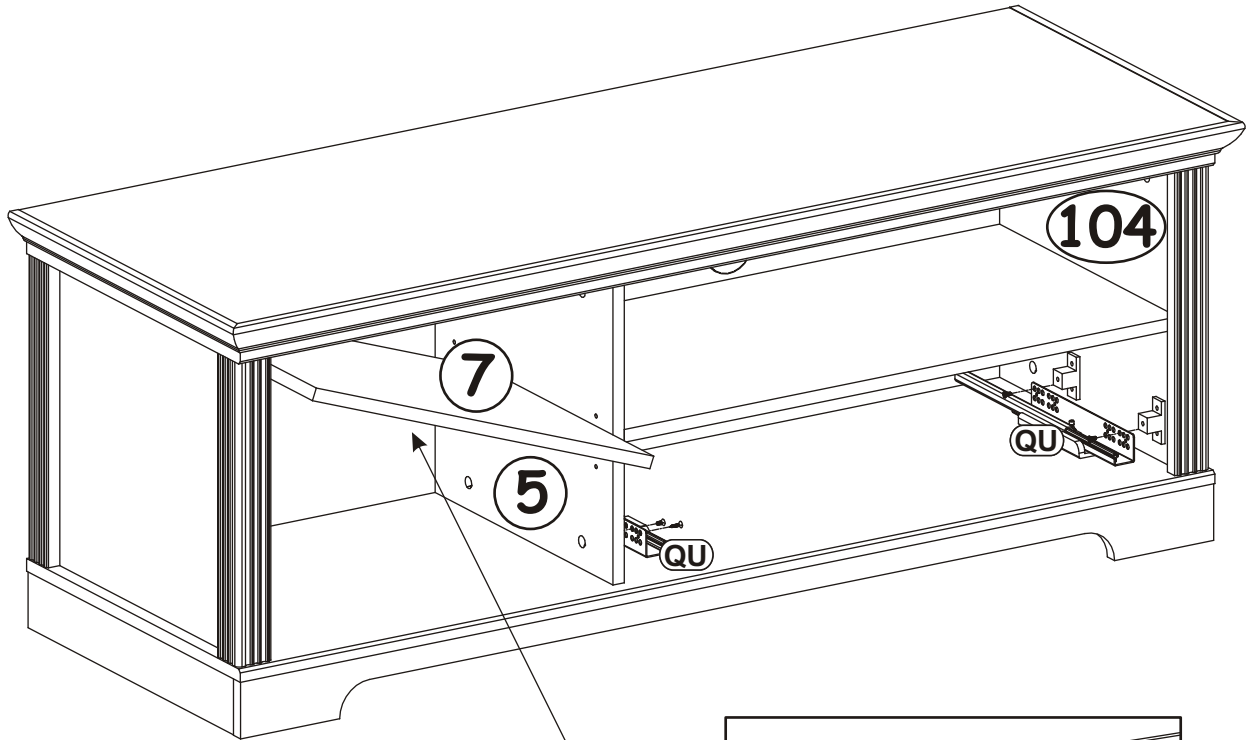
15



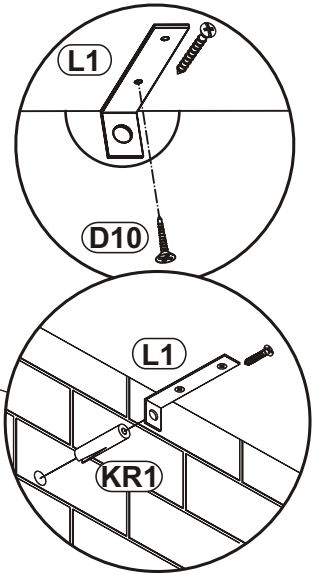
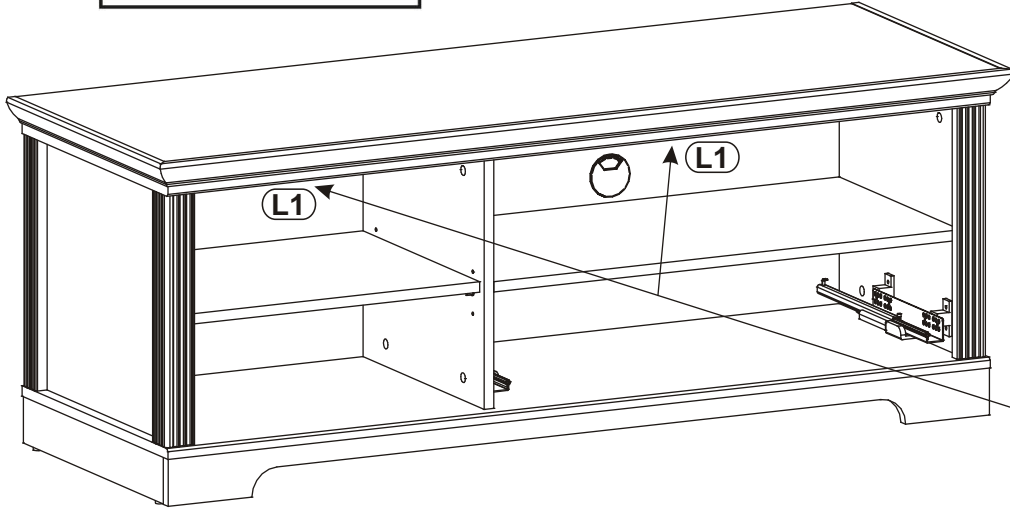
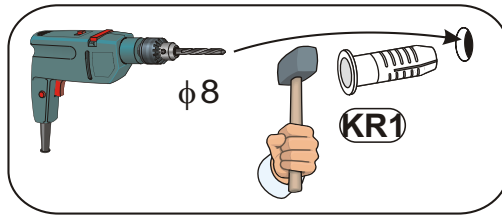
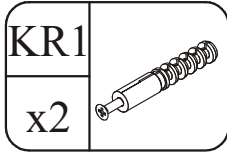
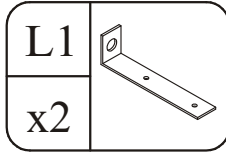
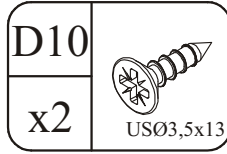
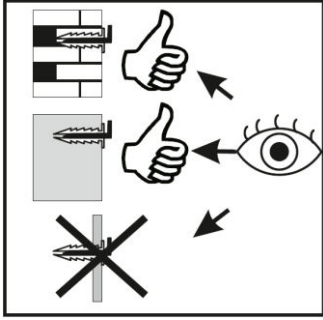
16



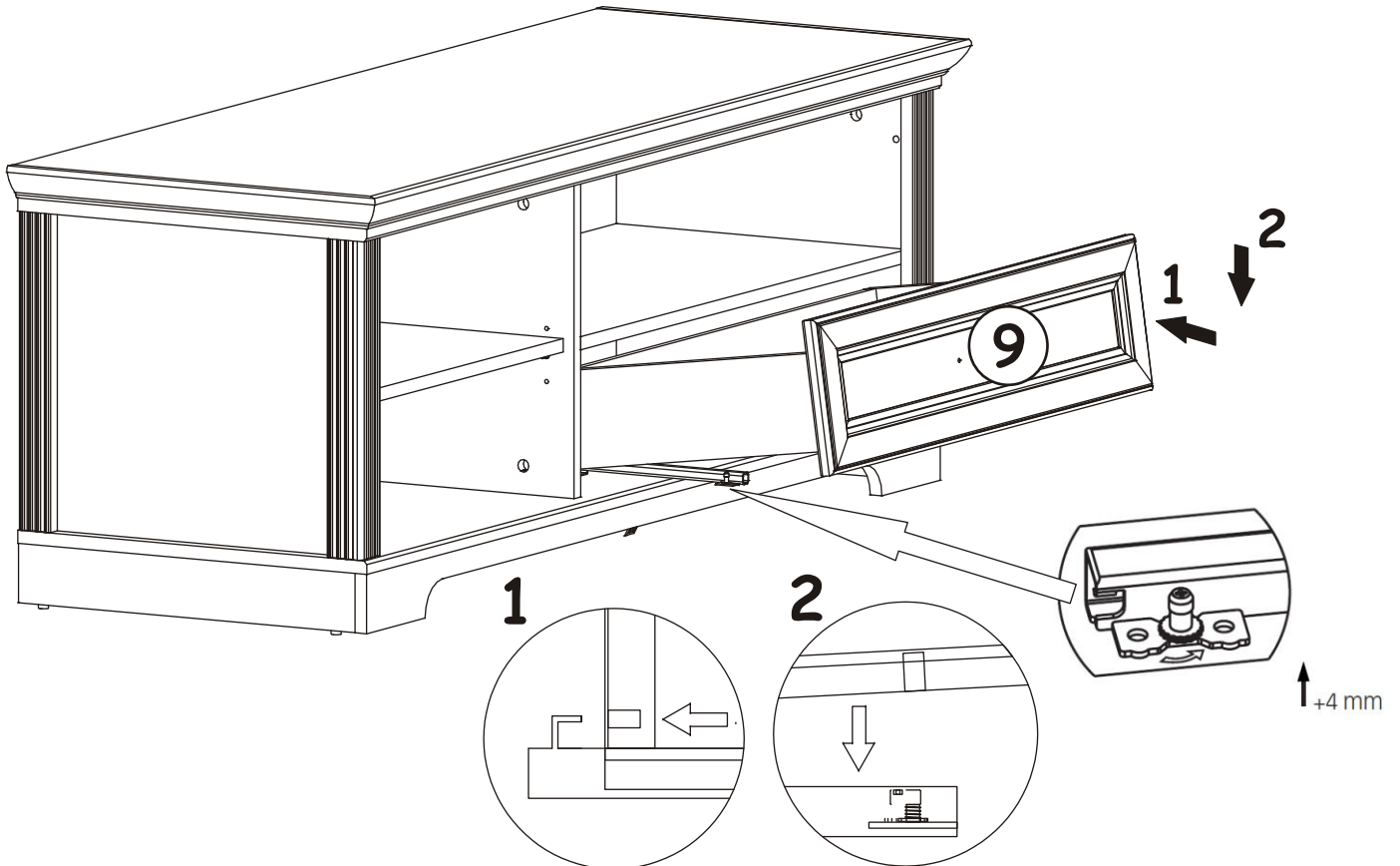
D10		D20		QU	
x2	USØ3,5x13	x4	ESØ6,3x9,5	x1	L-350



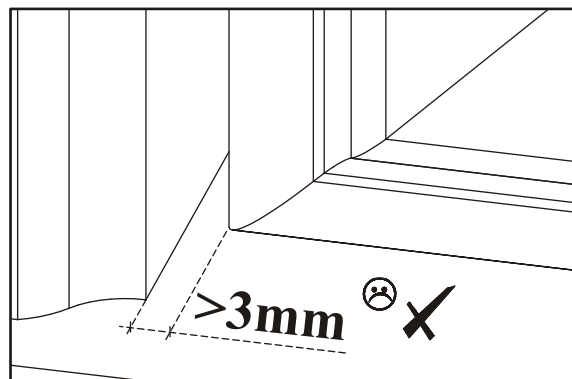
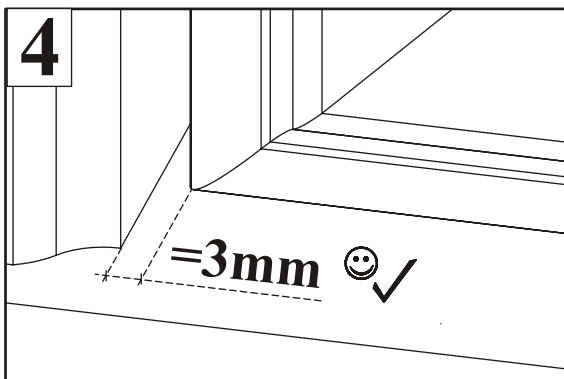
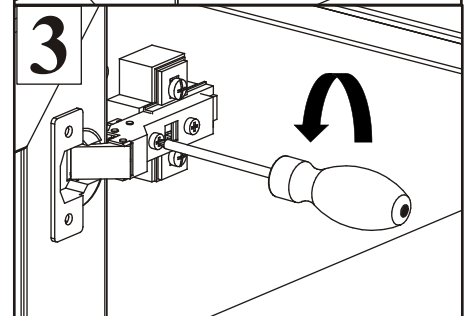
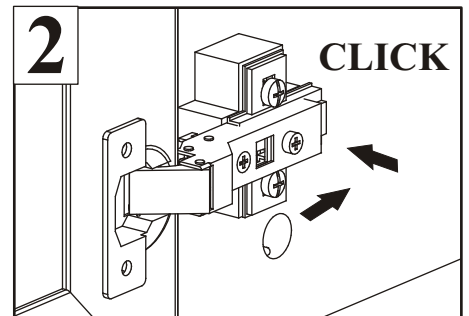
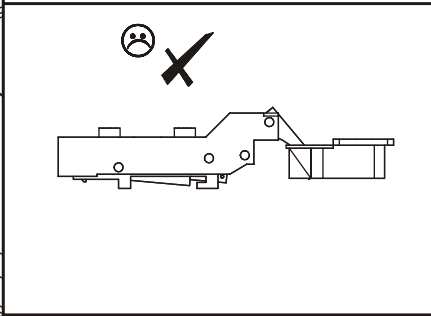
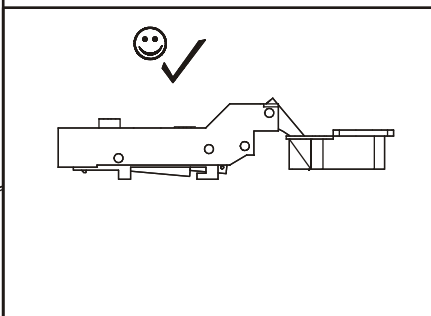
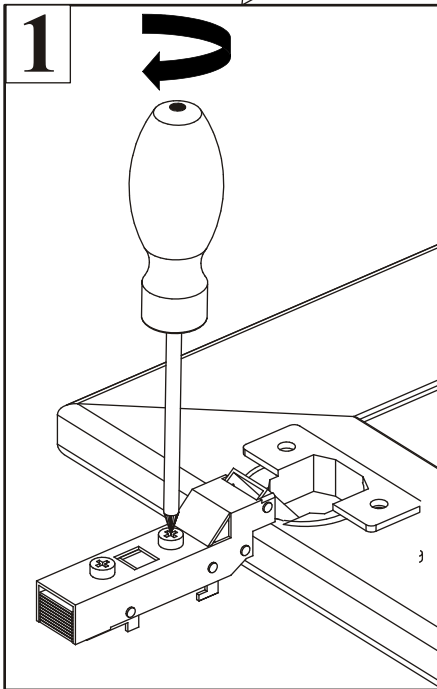
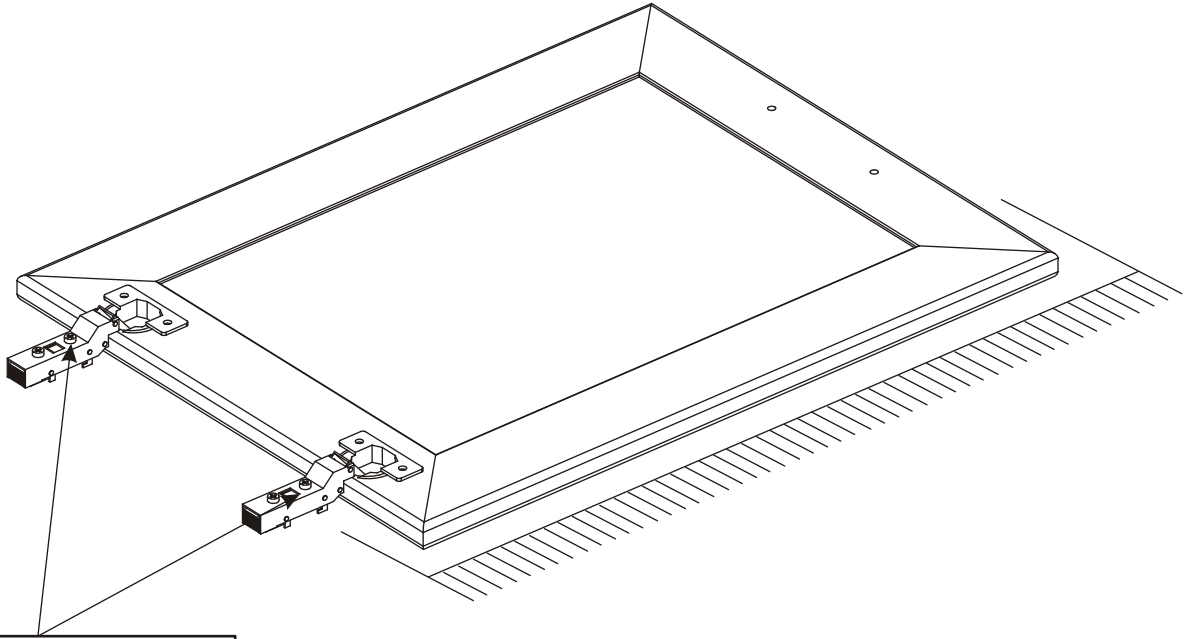
18



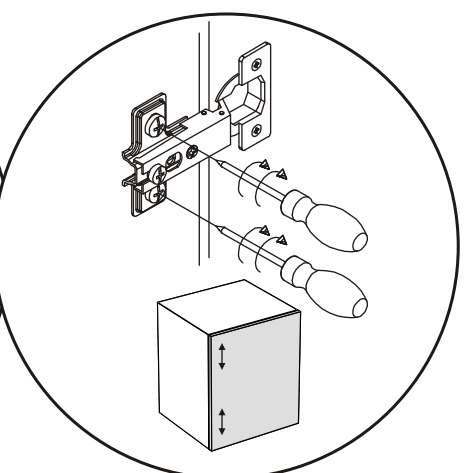
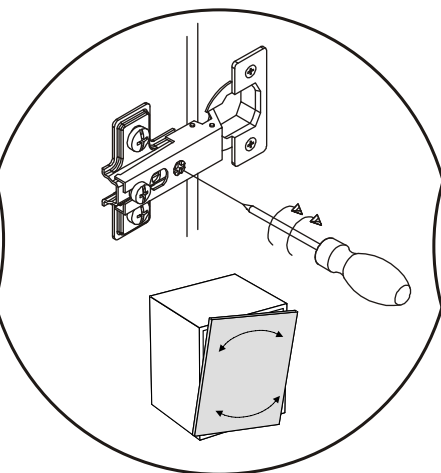
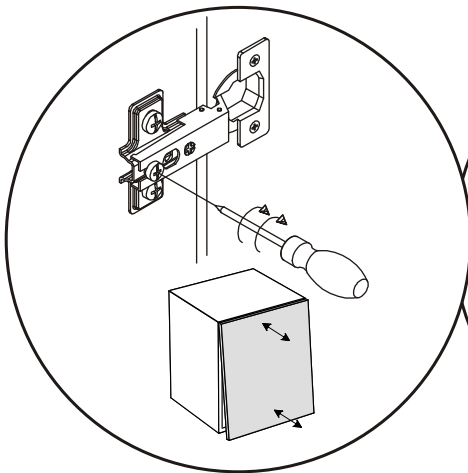
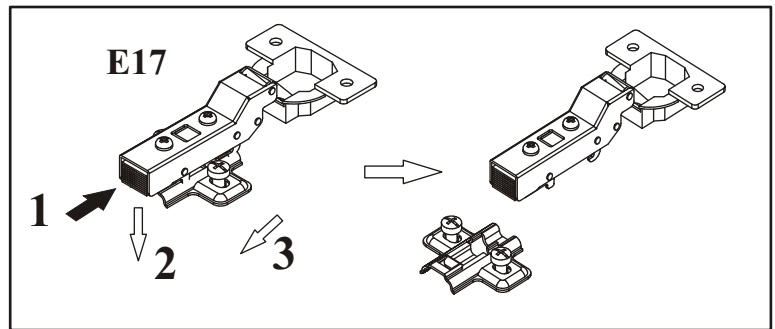
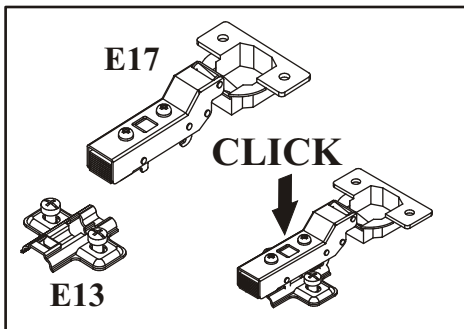
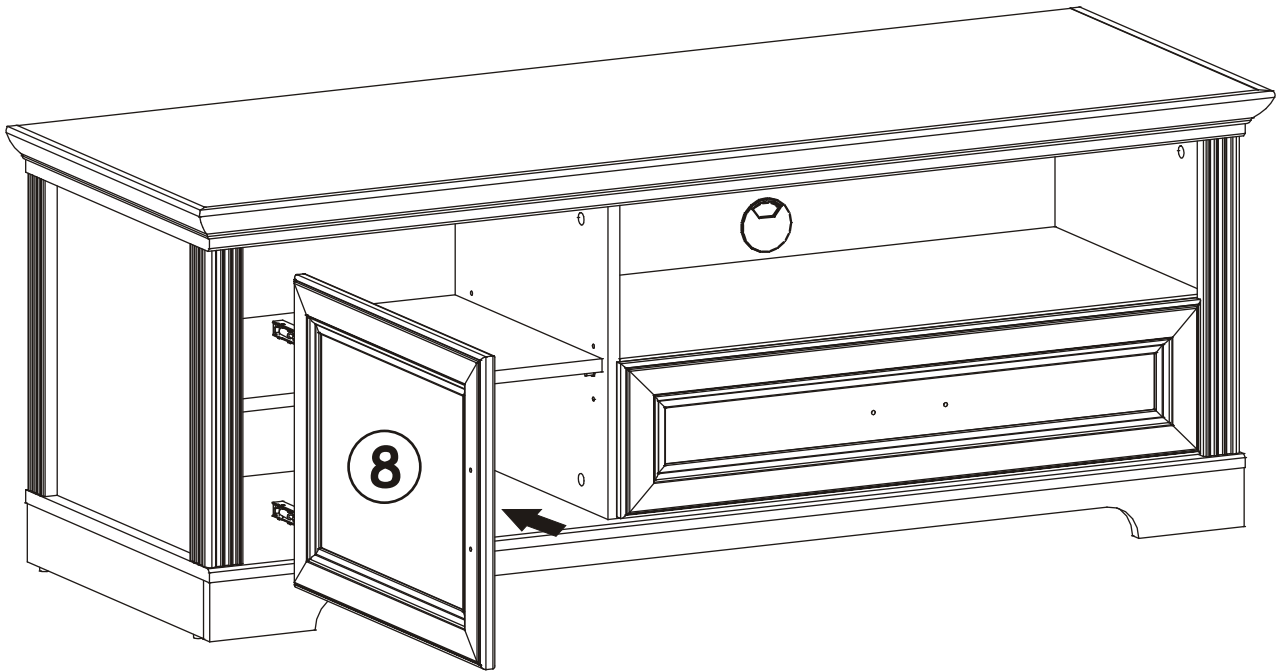
19

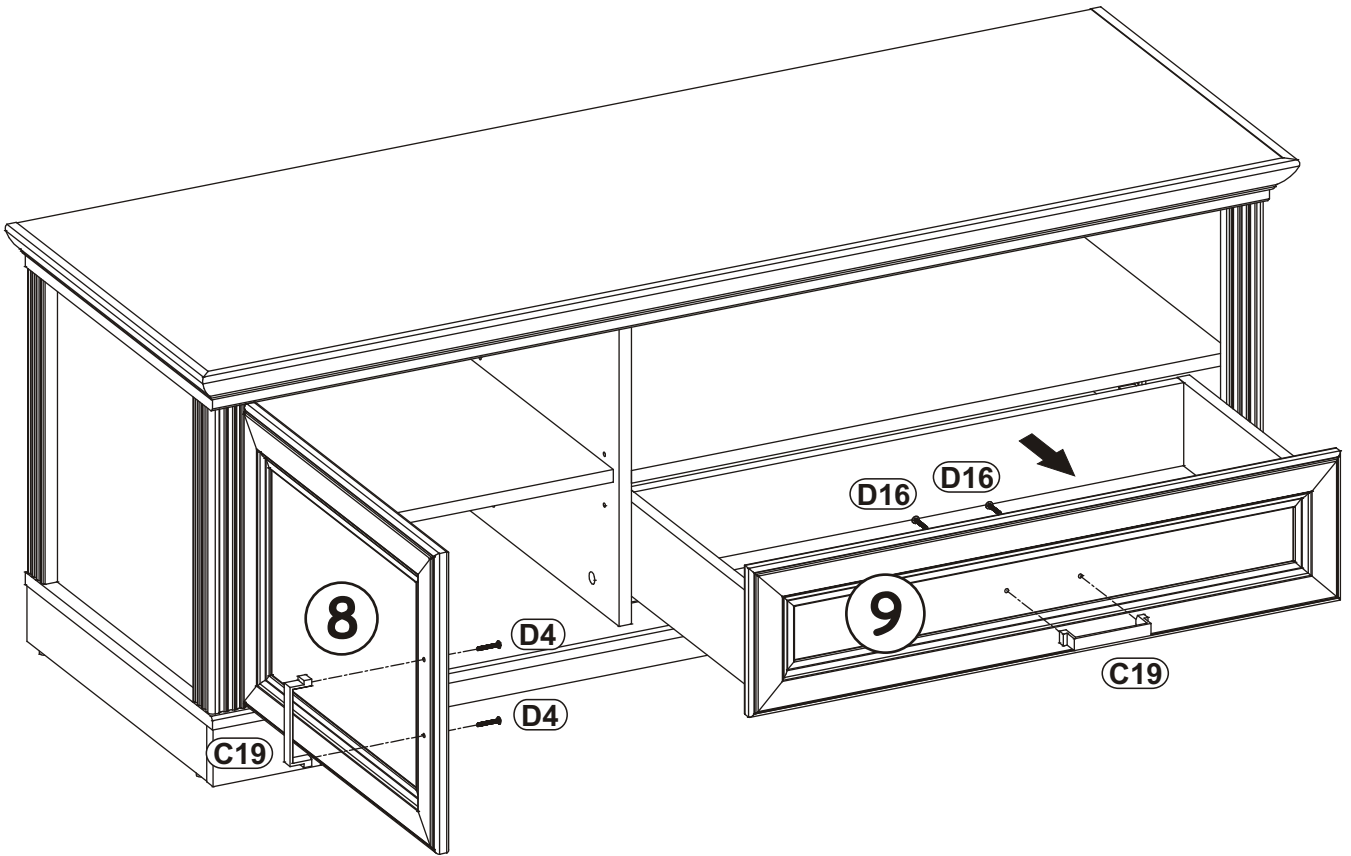
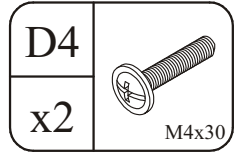
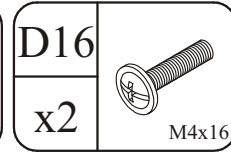
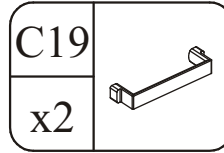


20

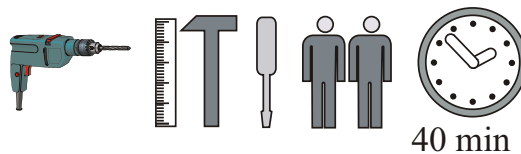
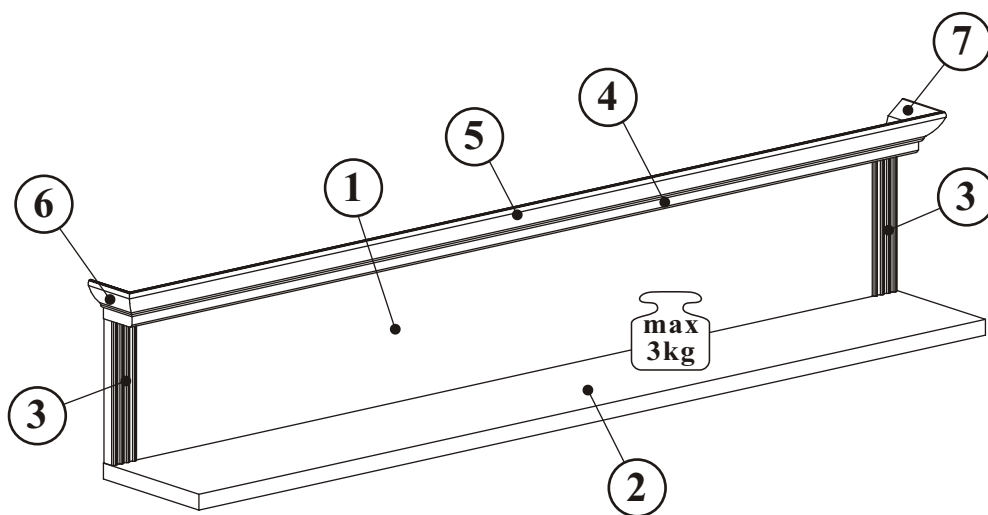
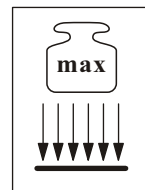


21

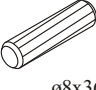





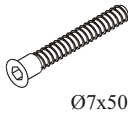

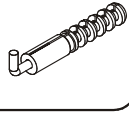
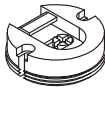


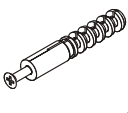



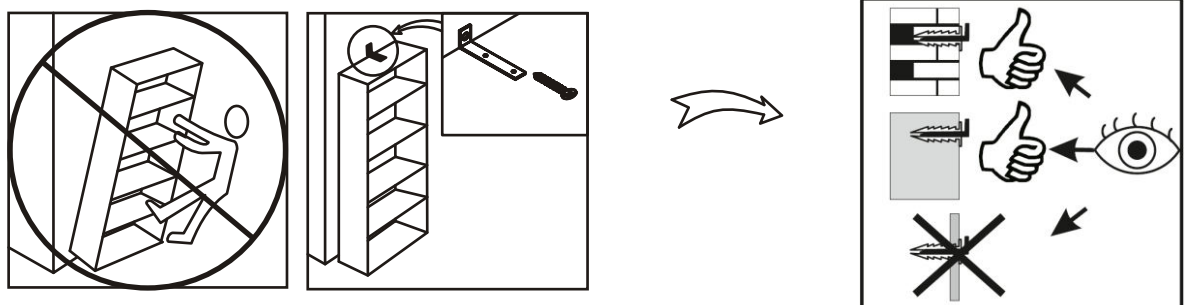
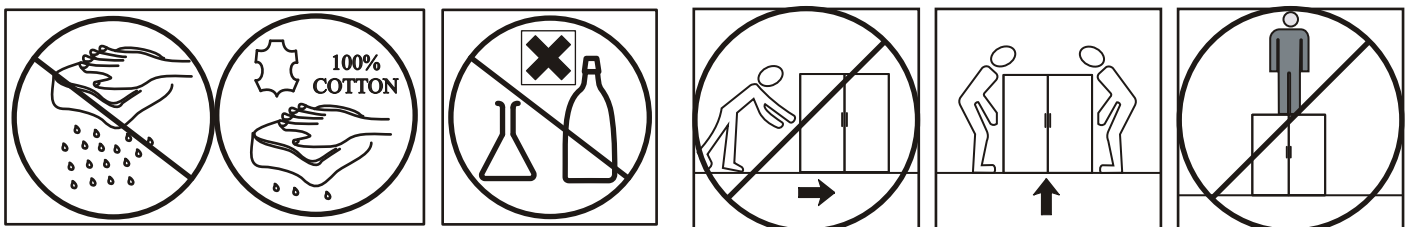
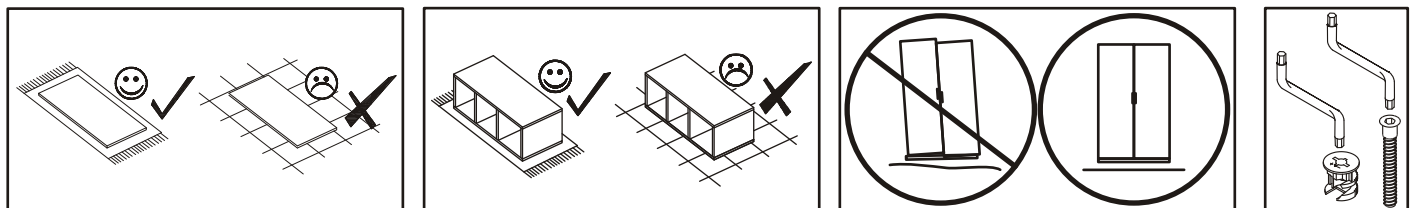
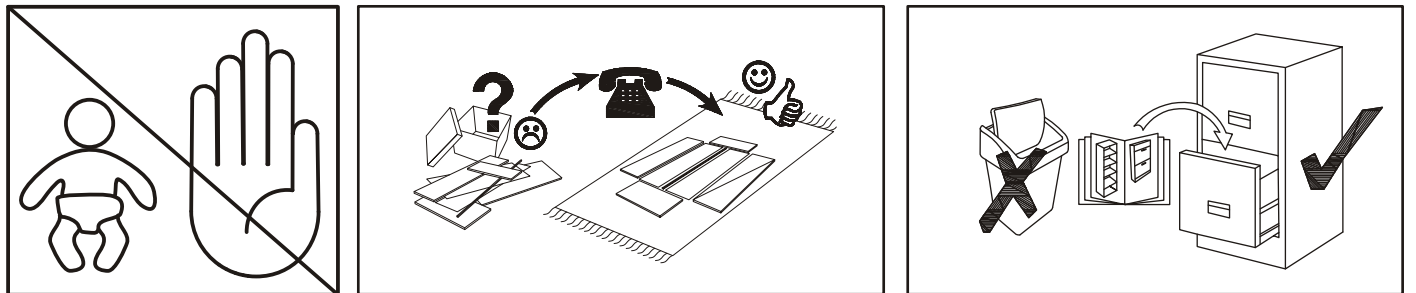
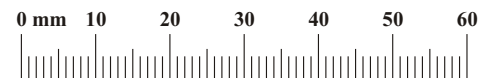


JASMIN 10G9_40

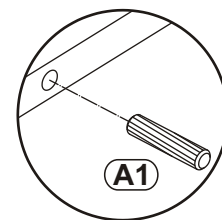
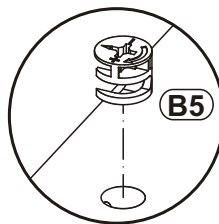
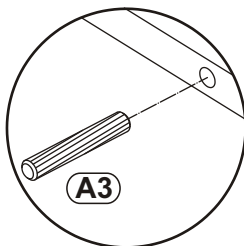
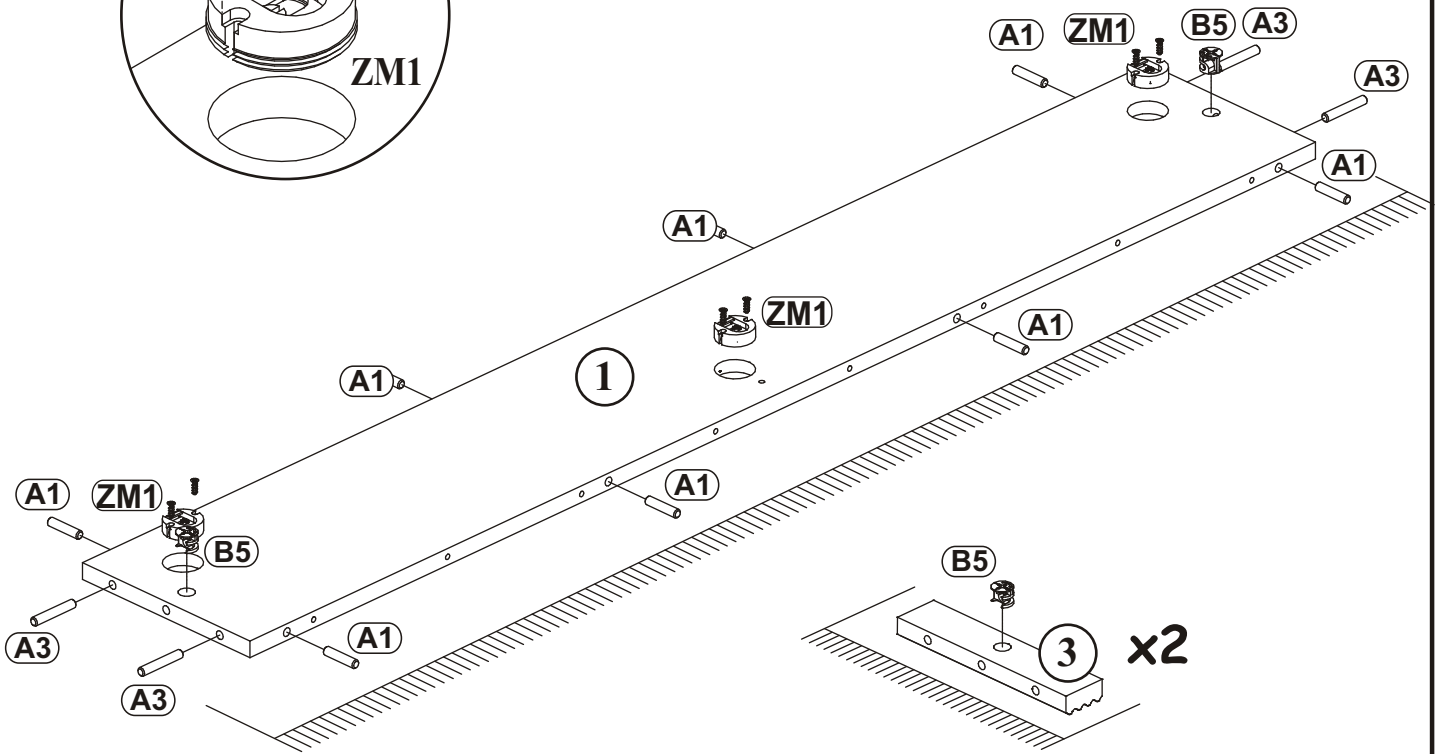
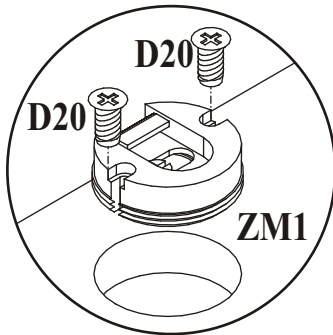
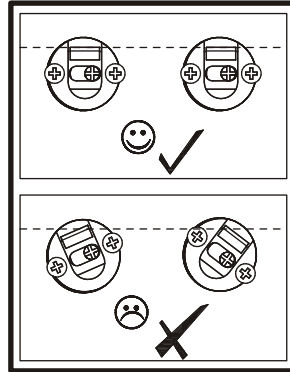
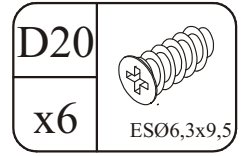
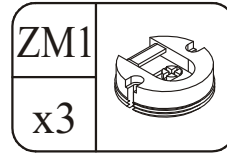
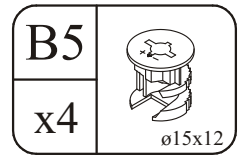
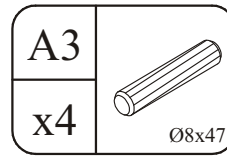
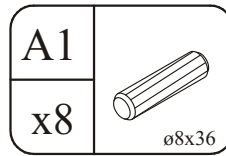


NO	Dim.			Col.-No	Qty
1	1272	200	16	1	1
2	1360	200	22	1	1
3	200	43	19	1	2
4	1360	60	16	1	1
5	1413	67	22	1	1
6	86	67	22	1	1
7	86	67	22	1	1

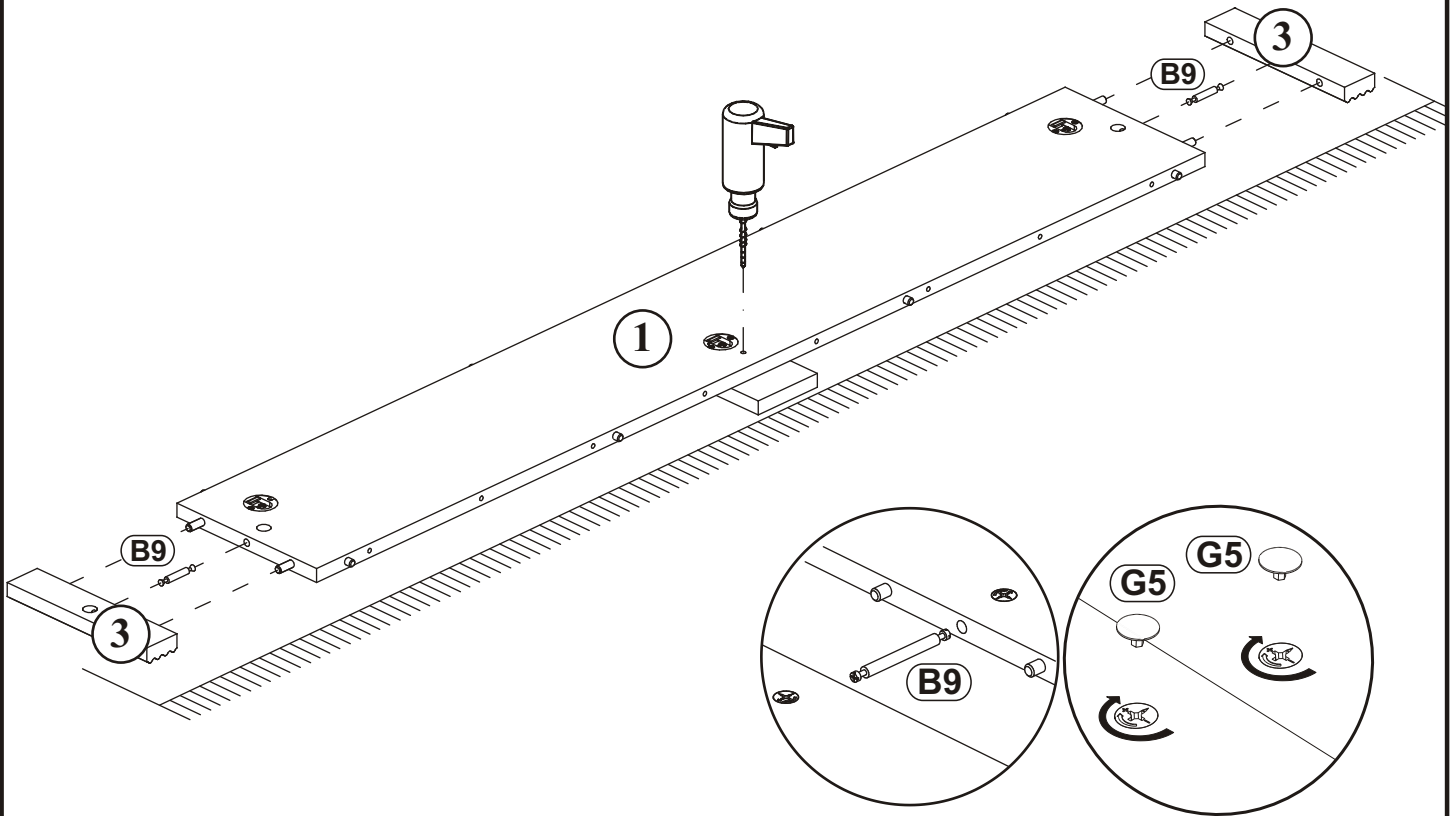
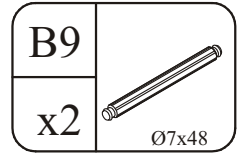
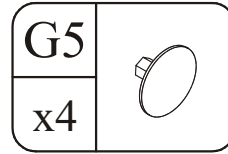
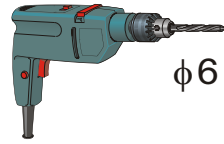
A1 x8  ø8x36	A3 x4  ø8x47	B5 x4  ø15x12	G5 x4 	B9 x2  ø7x48	D9 x8  USØ3x20
B11 x12  ø7x50	G4 x12 	KR2 x3 	ZM1 x3 	D20 x6  ESØ6,3x9,5	G2 X1 
KR1 x1 	G12 x1  Ø14				



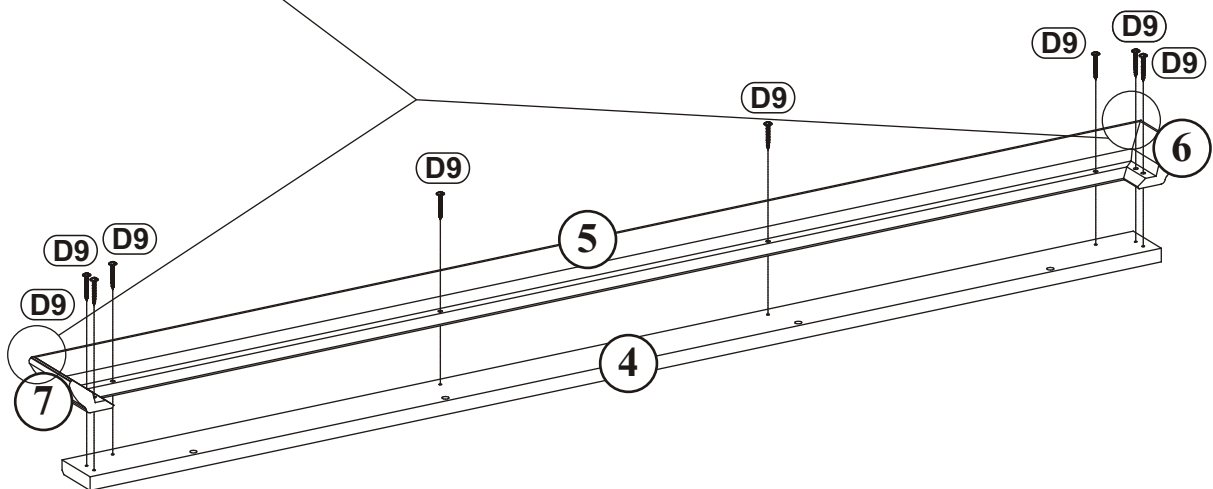
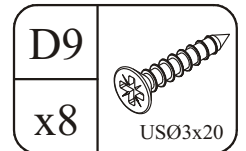
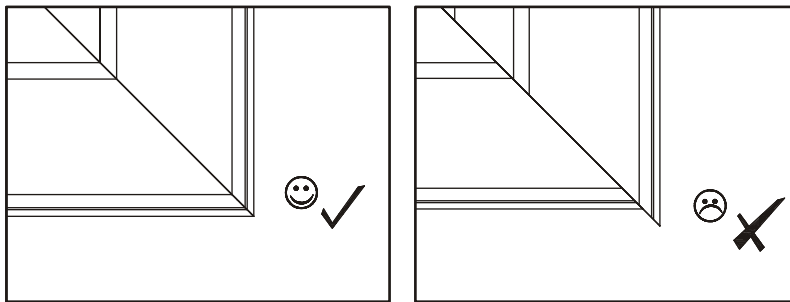
1




2




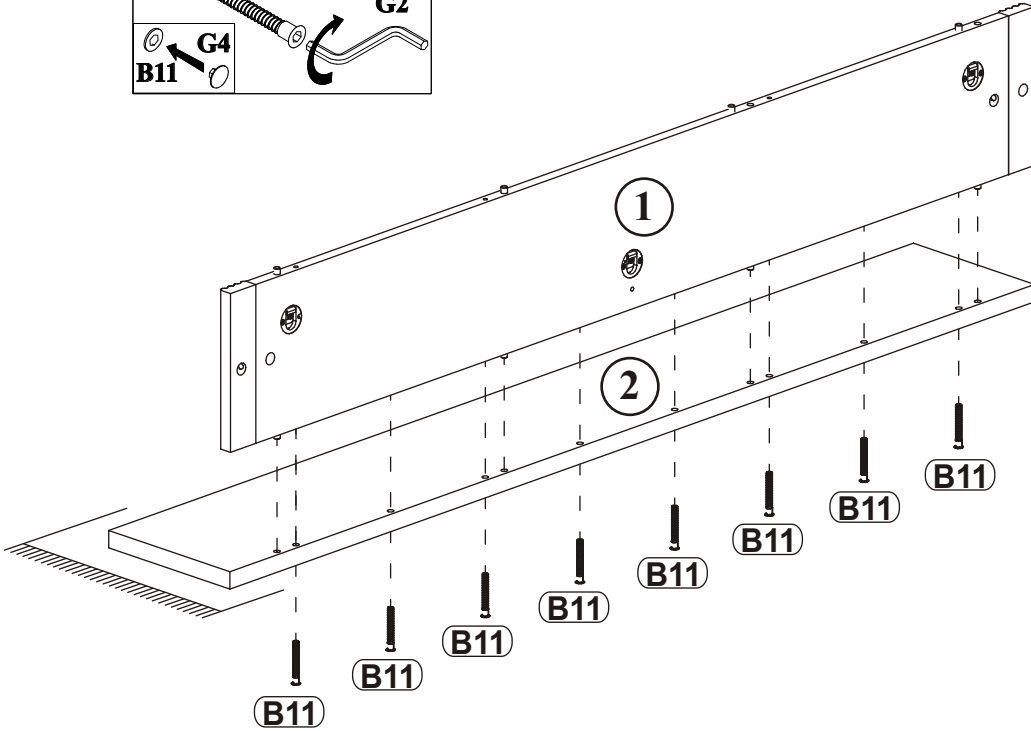
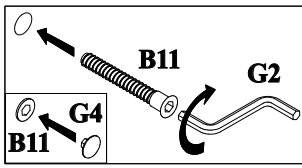
3



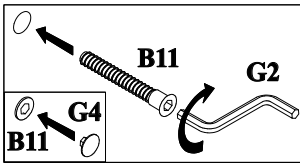
4


B11	
x8	Ø7x50


G4	
x8	

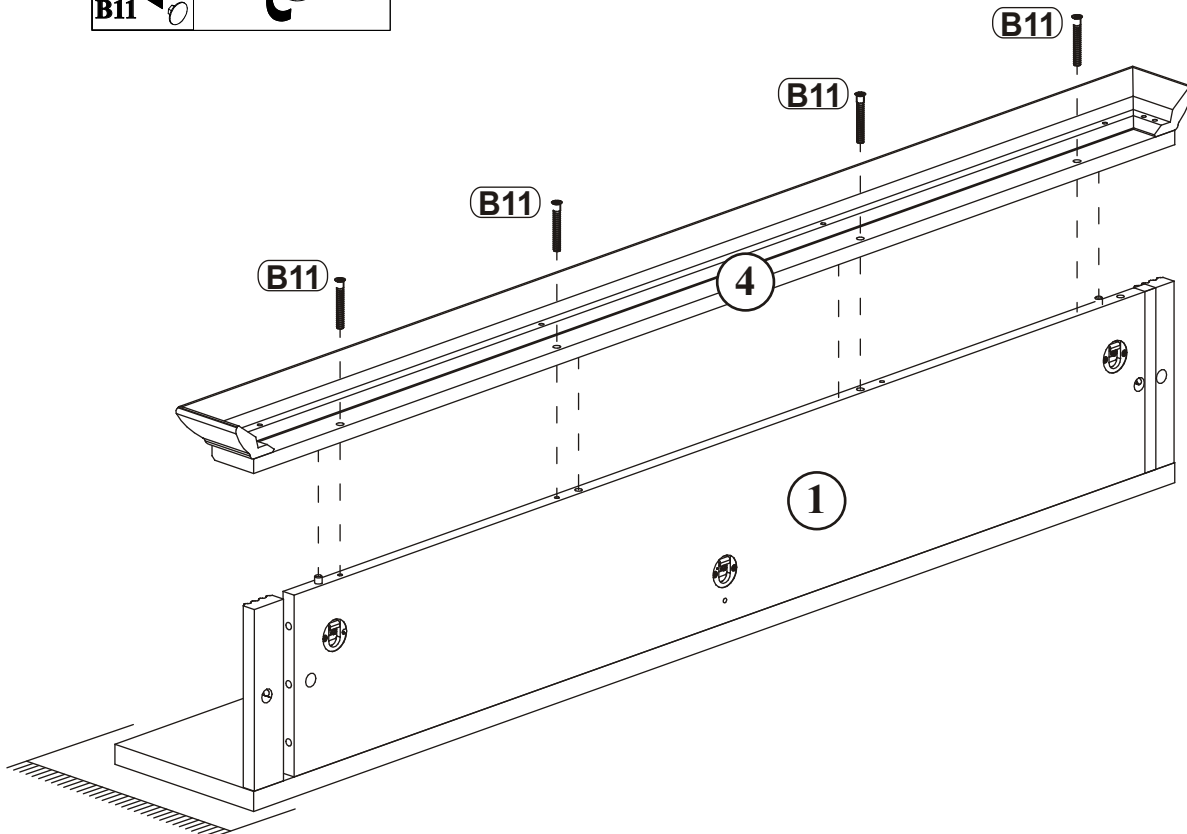


5



B11	
x4	Ø7x50

G4	
x4	



6

