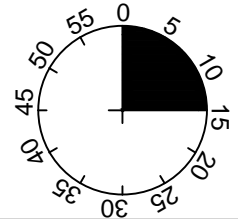
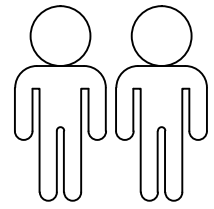
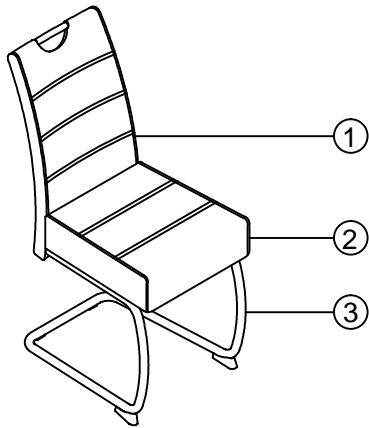


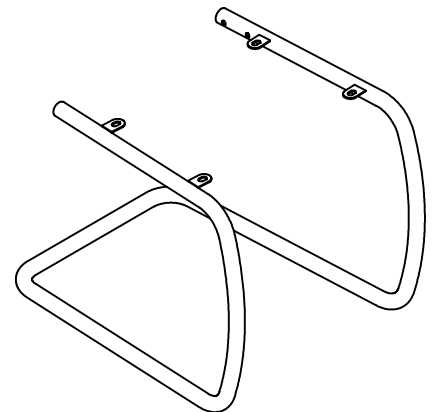
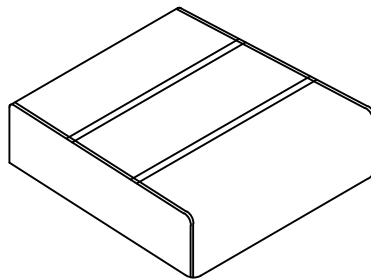
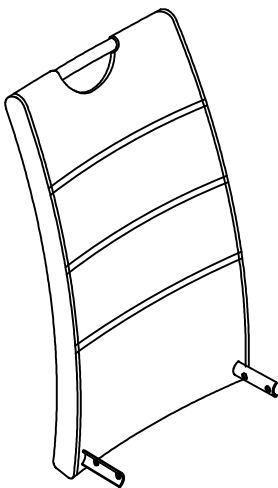
# Flora 6



1

2

3

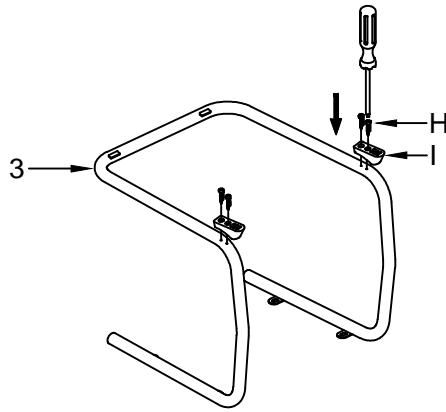


|   |     |
|---|-----|
| 1 | 1 x |
| 2 | 1 x |
| 3 | 1 x |

|          |       |          |       |          |            |          |            |          |    |          |     |
|----------|-------|----------|-------|----------|------------|----------|------------|----------|----|----------|-----|
| <b>A</b> | M6X20 | <b>B</b> | M8x20 | <b>C</b> | Ø18xØ8x1.5 | <b>D</b> | Ø18xØ6x1.5 | <b>E</b> | M8 | <b>F</b> | 4MM |
|          | 4x    |          | 4x    |          | 4x         |          | 4x         |          | 4x |          | 1x  |
| <b>G</b> | 6MM   | <b>H</b> | M4x20 | <b>I</b> |            |          |            |          |    |          |     |
|          | 1x    |          | 4x    |          | 2x         |          |            |          |    |          |     |

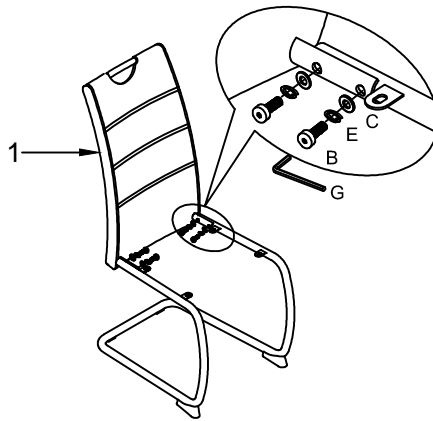
I.

1



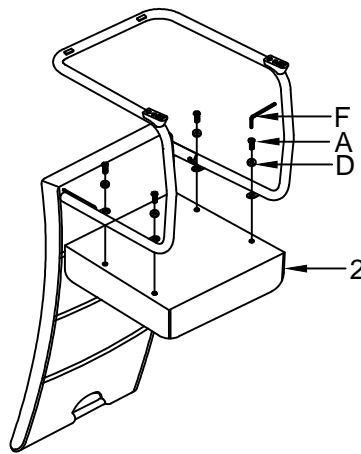
- H** M4x20  
4x
- I** 2x
- 

2



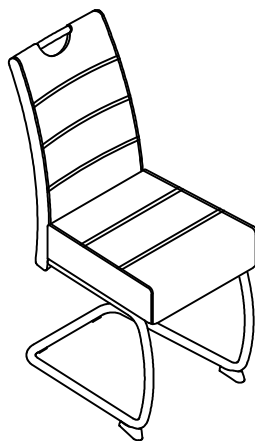
- B** M8x20  
4x
- C** Ø18xØ8x1.5  
4x
- E** M8  
4x
- G** 6MM  
1x
- 

3



- A** M6x20  
4x
- D** Ø18xØ6x1.5  
4x
- F** 4MM  
1x
- 

4



- F** 4MM  
1x
- G** 6MM  
1x
- 

