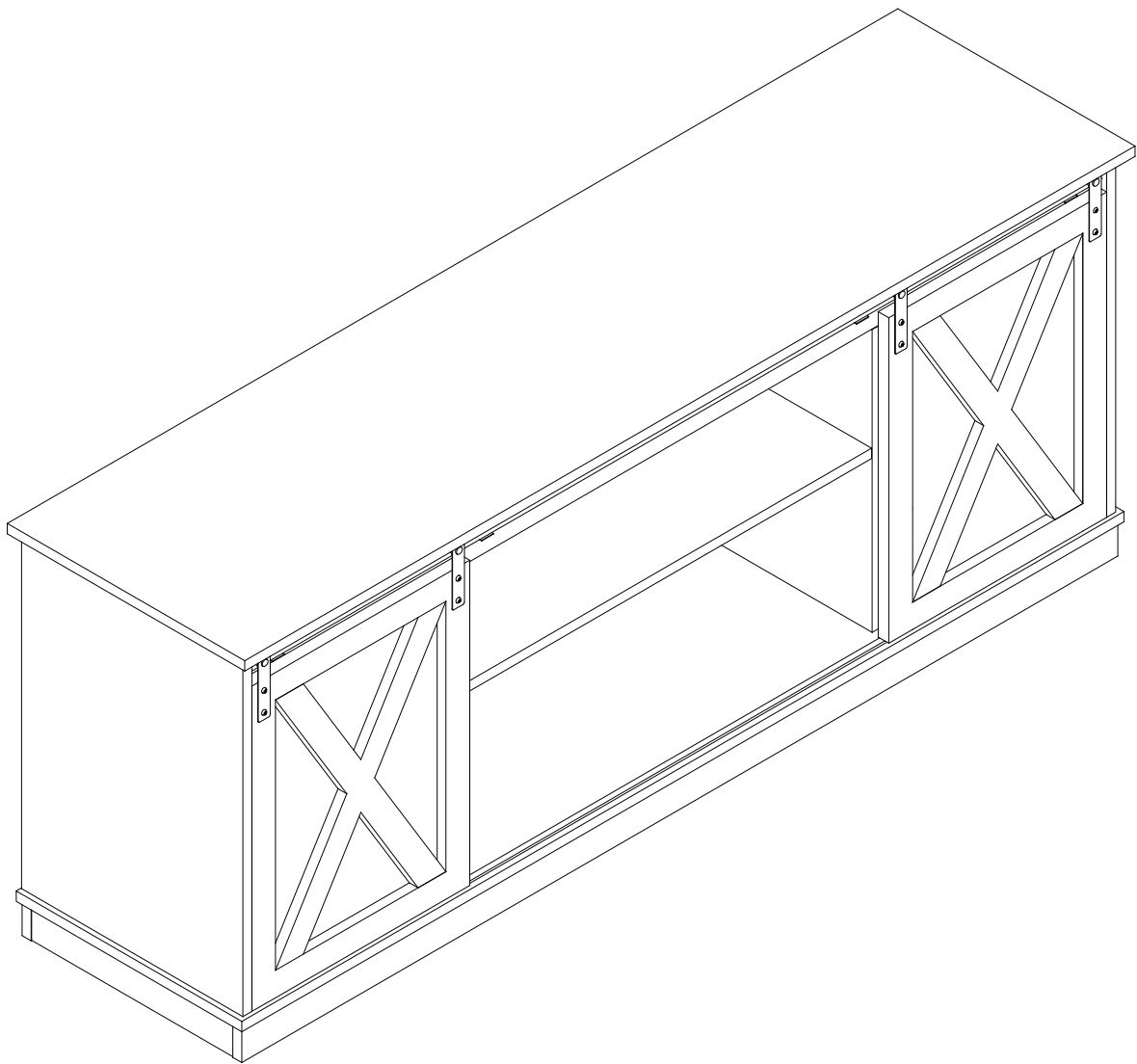


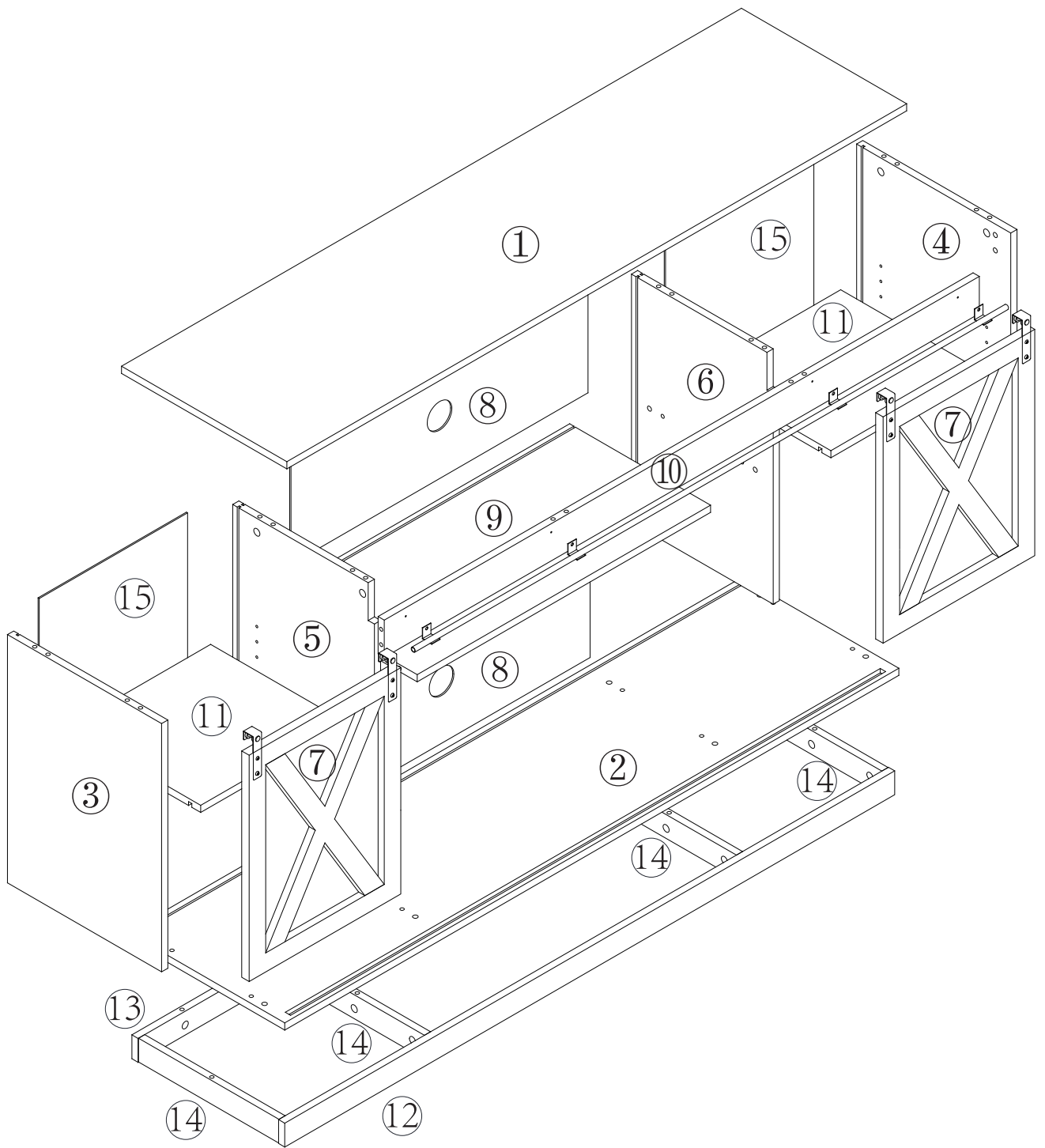
Box-1/2	WF306436
Box-2/2	WF306437

CE

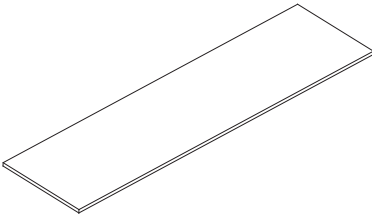
**Deutsch:** Dieses Produkt besteht aus 2 Logistikpaketen, bitte überprüfen Sie die Anzahl Ihrer Pakete, falls eines fehlt, wenden Sie sich bitte an die Logistik.

**English:** This product consists of 2 packages. Please check the number of your packages. If one is missing, please contact the logistics department.

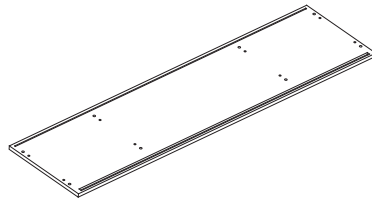




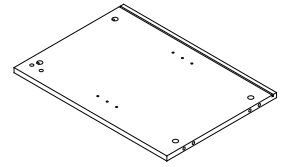
① x 1



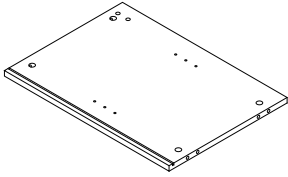
② x 1



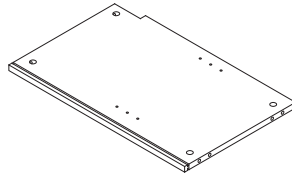
③ x 1



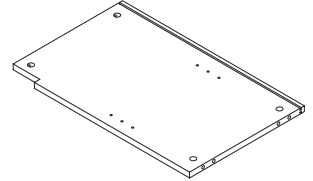
④ x 1



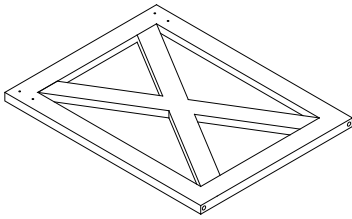
⑤ x 1



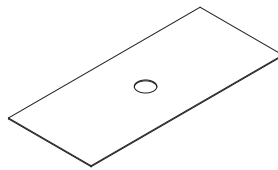
⑥ x 1



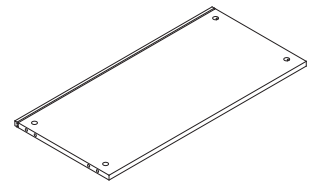
⑦ x 2



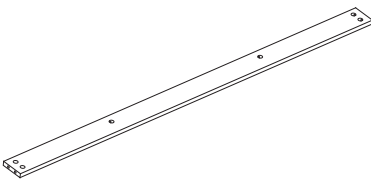
⑧ x 2



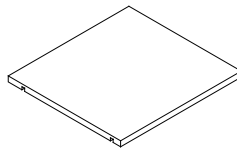
⑨ x 1



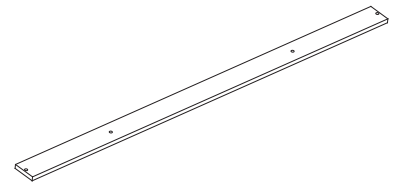
⑩ x 1



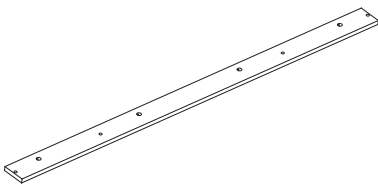
⑪ x 2



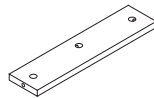
⑫ x 1



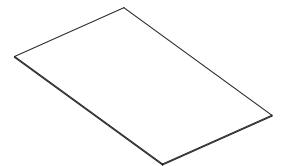
⑬ x 1



⑭ x 4

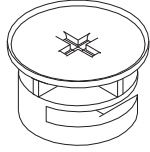


⑮ x 2



# Hardwareliste

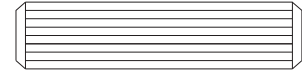
## Größe



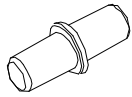
$\varnothing 15 \times 9.5 \text{mm}$   
A X 42



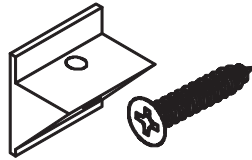
B X 42



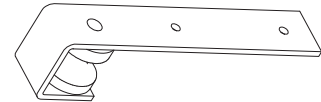
$\varnothing 8 \times 30 \text{mm}$   
C X 24



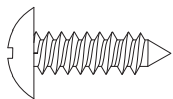
DX 8



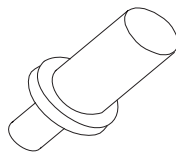
EX 8



FX 4



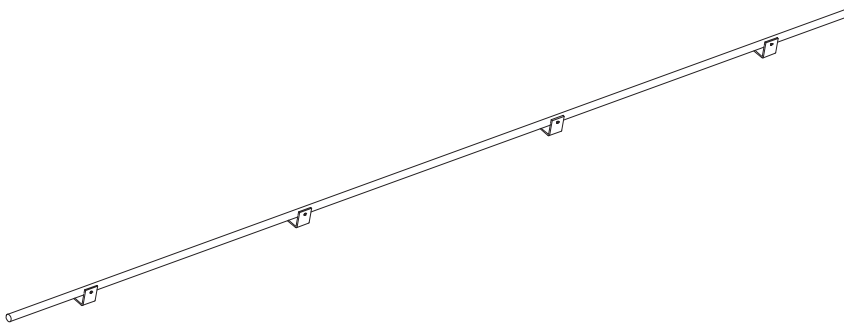
$\varnothing 4 \times 14 \text{mm}$   
G X 12



H X 4

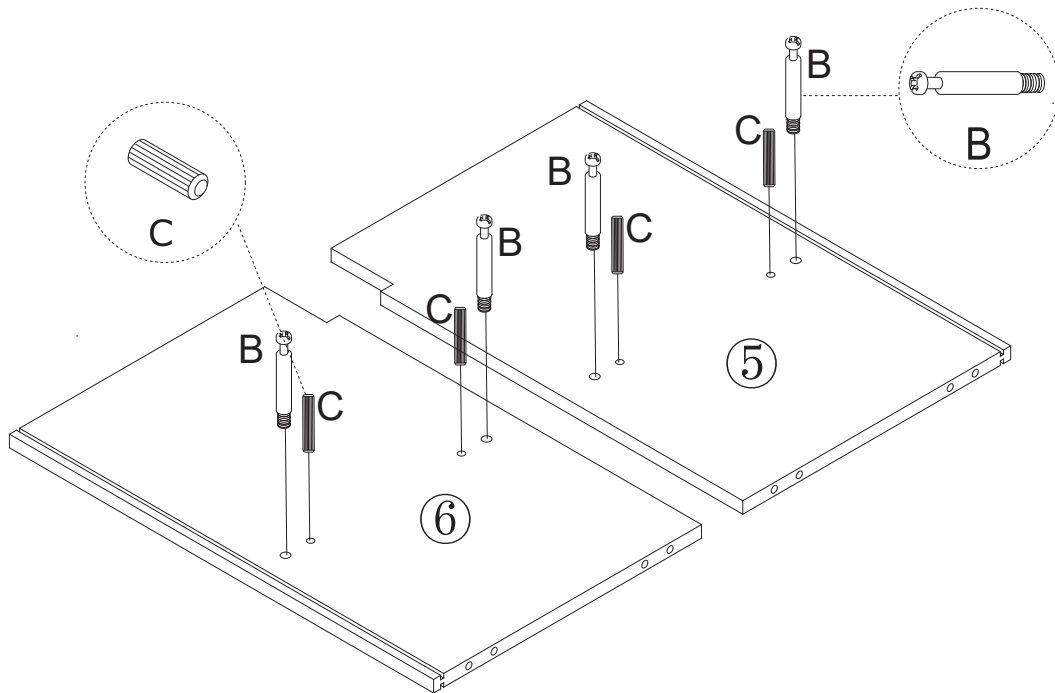
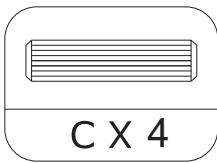
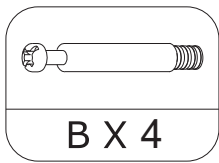


IX 1

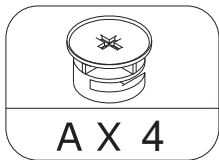


J X 1

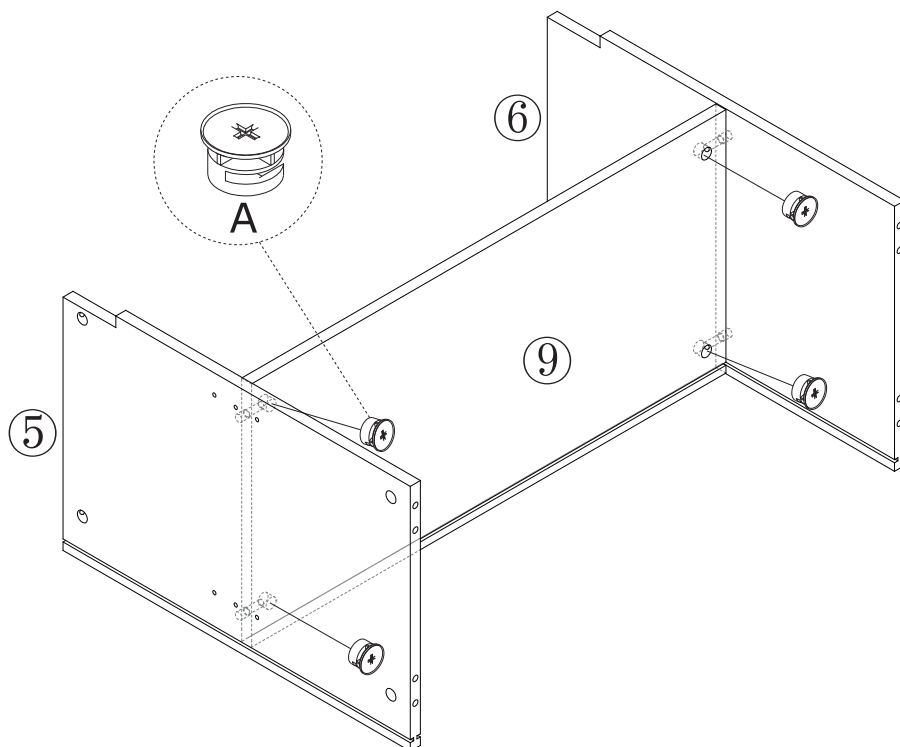
# Schritt 1



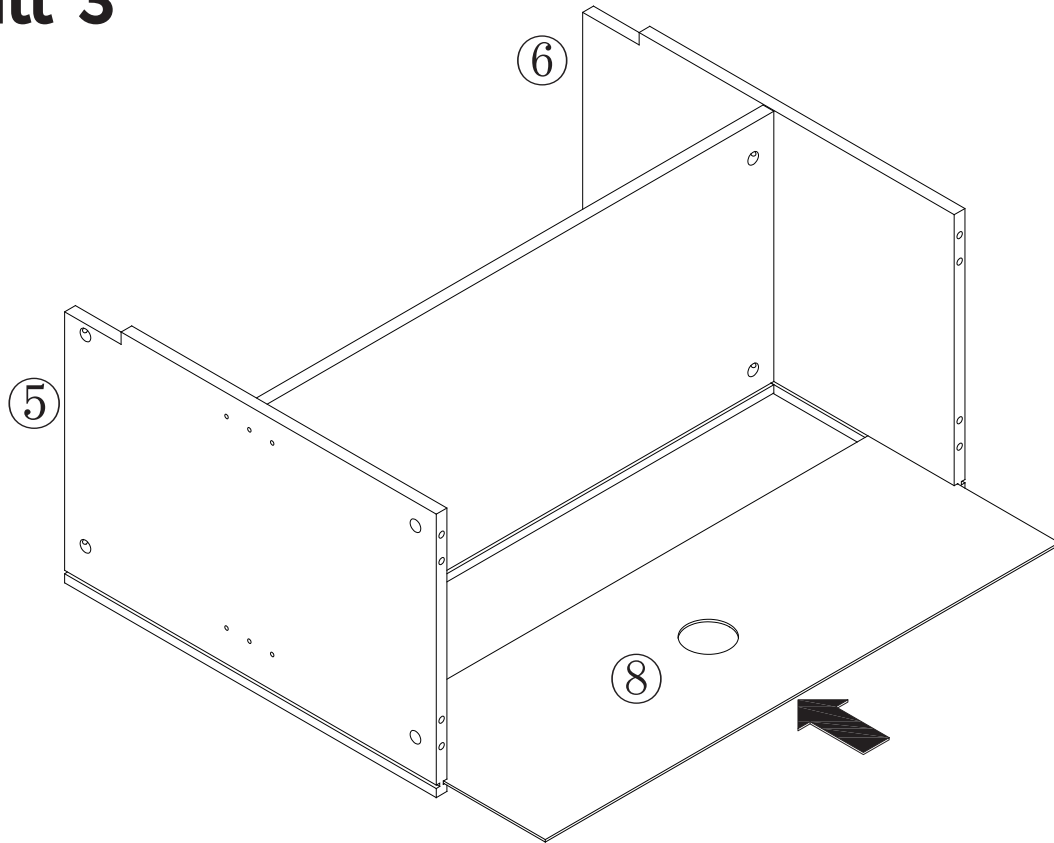
# Schritt 2



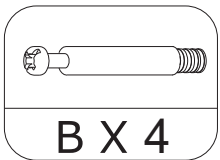
		<p>Arrow must face hole</p>	
<p>Gently screw cam bolt into the threaded anchor.</p>		<p>Lightly glue wood dowel and connect to second panel by inserting dowels into holes.</p>	<p>Screw the camlock firmly into locked position.</p>



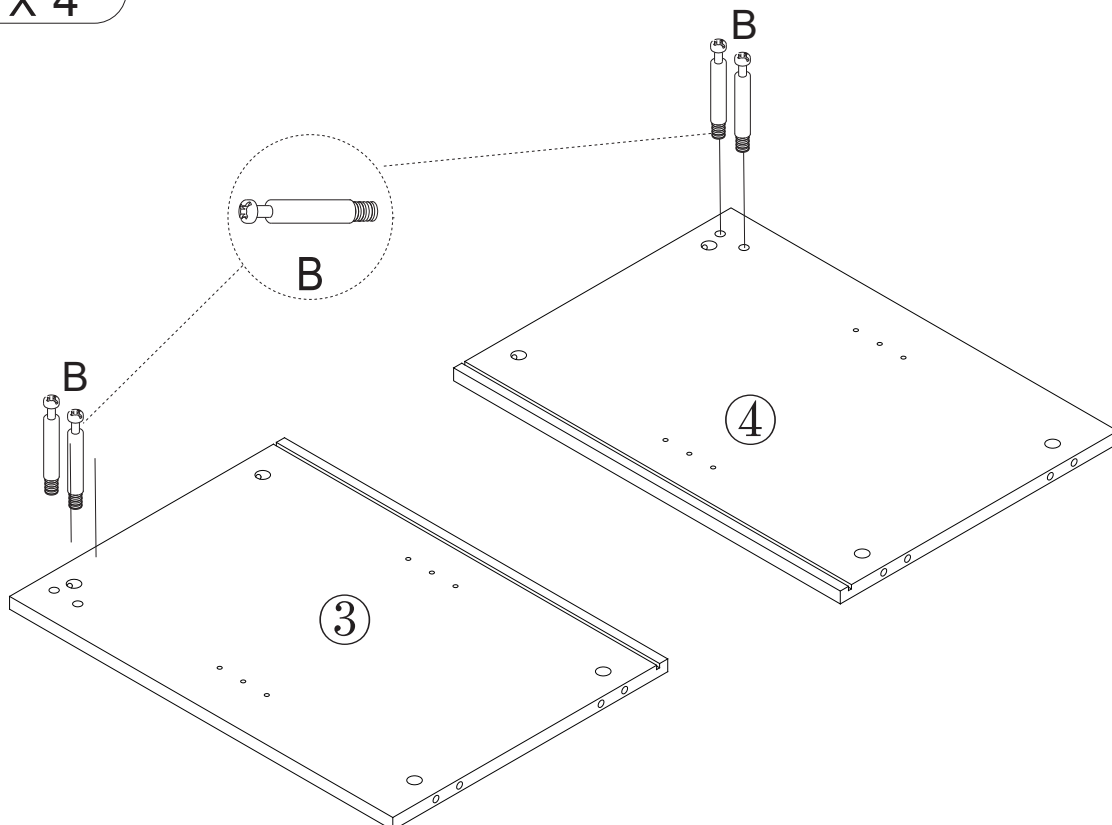
# Schritt 3



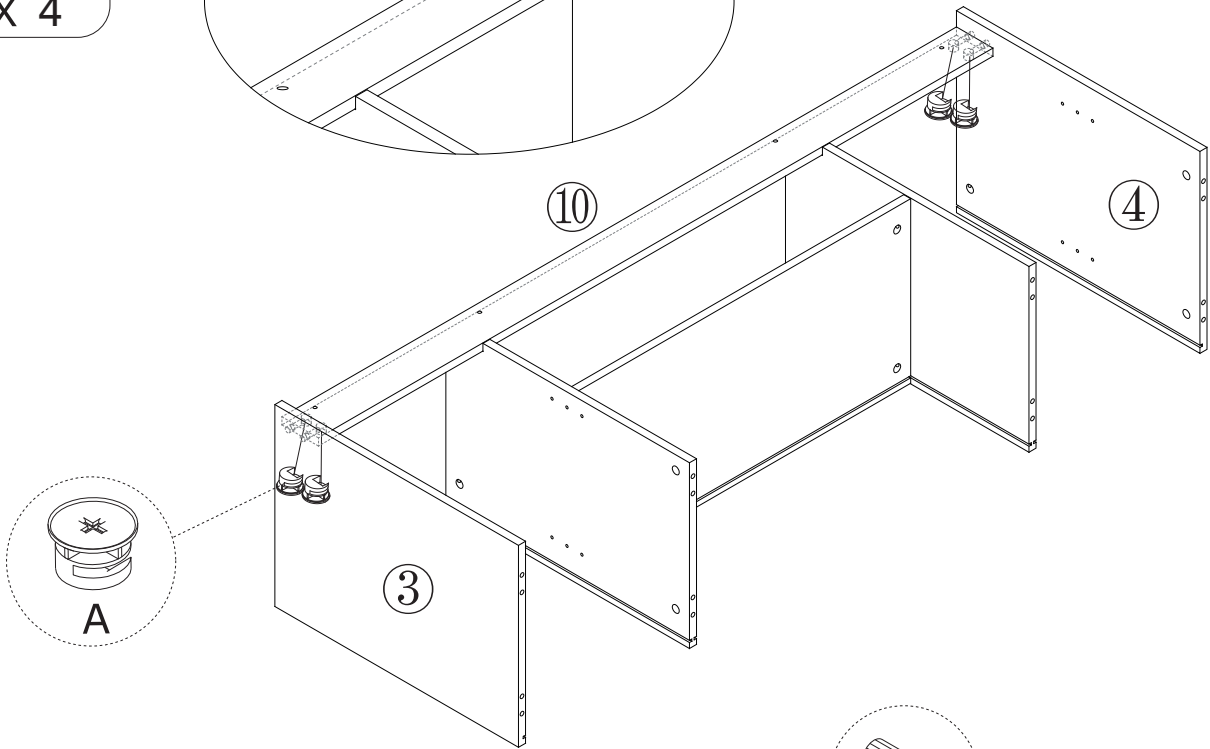
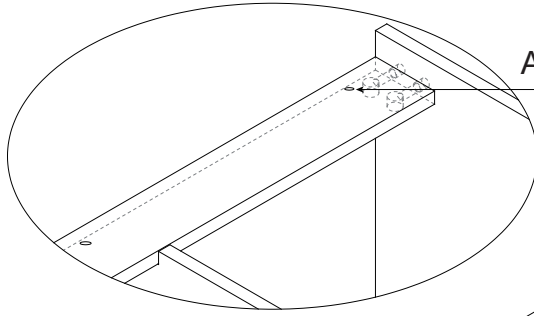
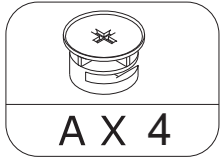
# Schritt 4



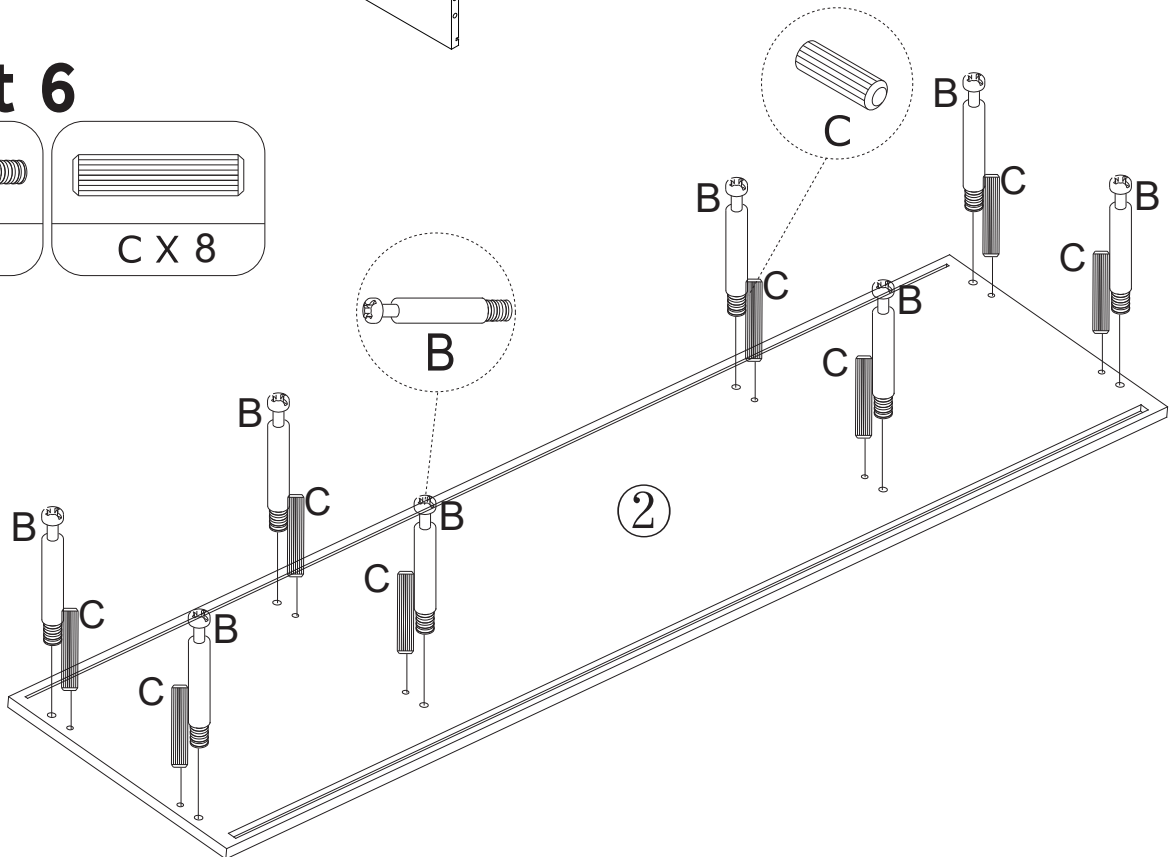
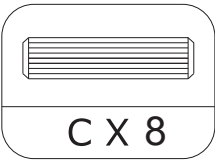
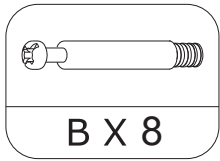
		<p>Arrow must face hole</p>	
<p>Gently screw cam bolt into the threaded anchor.</p>		<p>Lightly glue wood dowel and connect to second panel by inserting dowels into holes.</p>	<p>Screw the camlock firmly into locked position.</p>



# Schritt 5

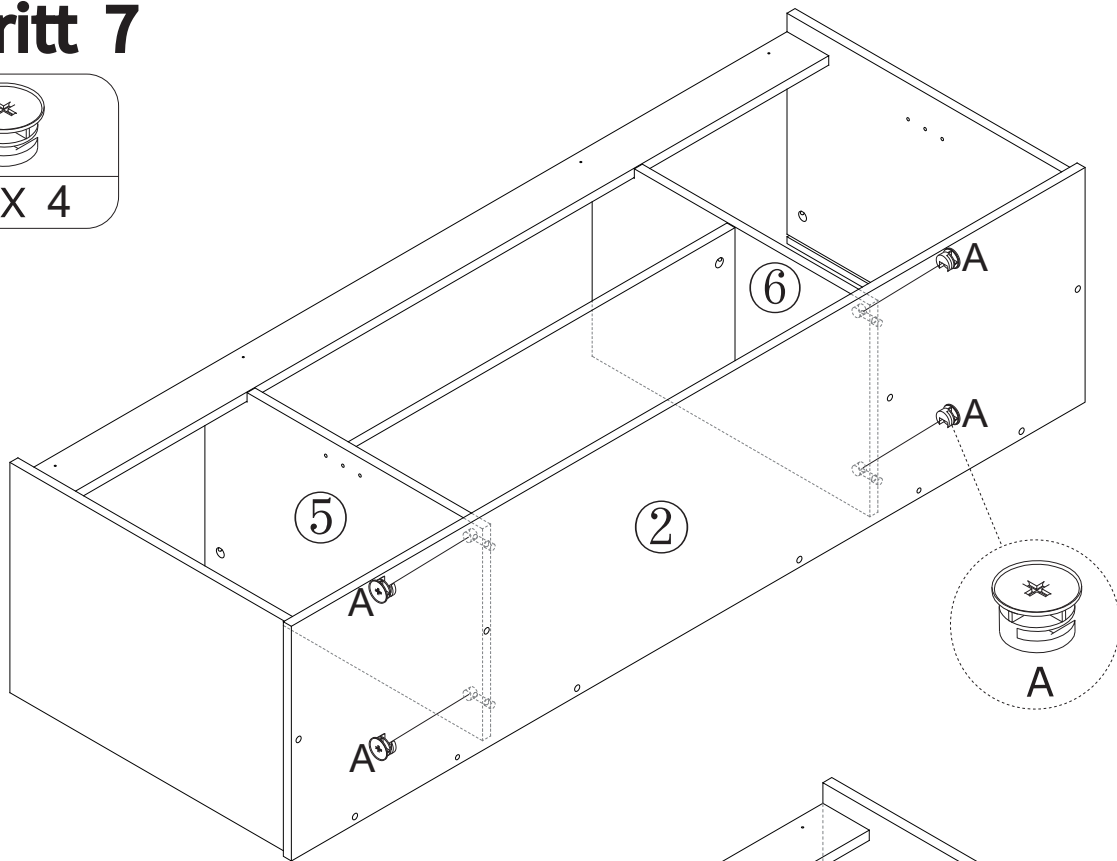
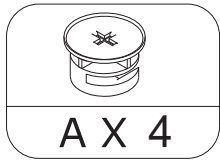


# Schritt 6

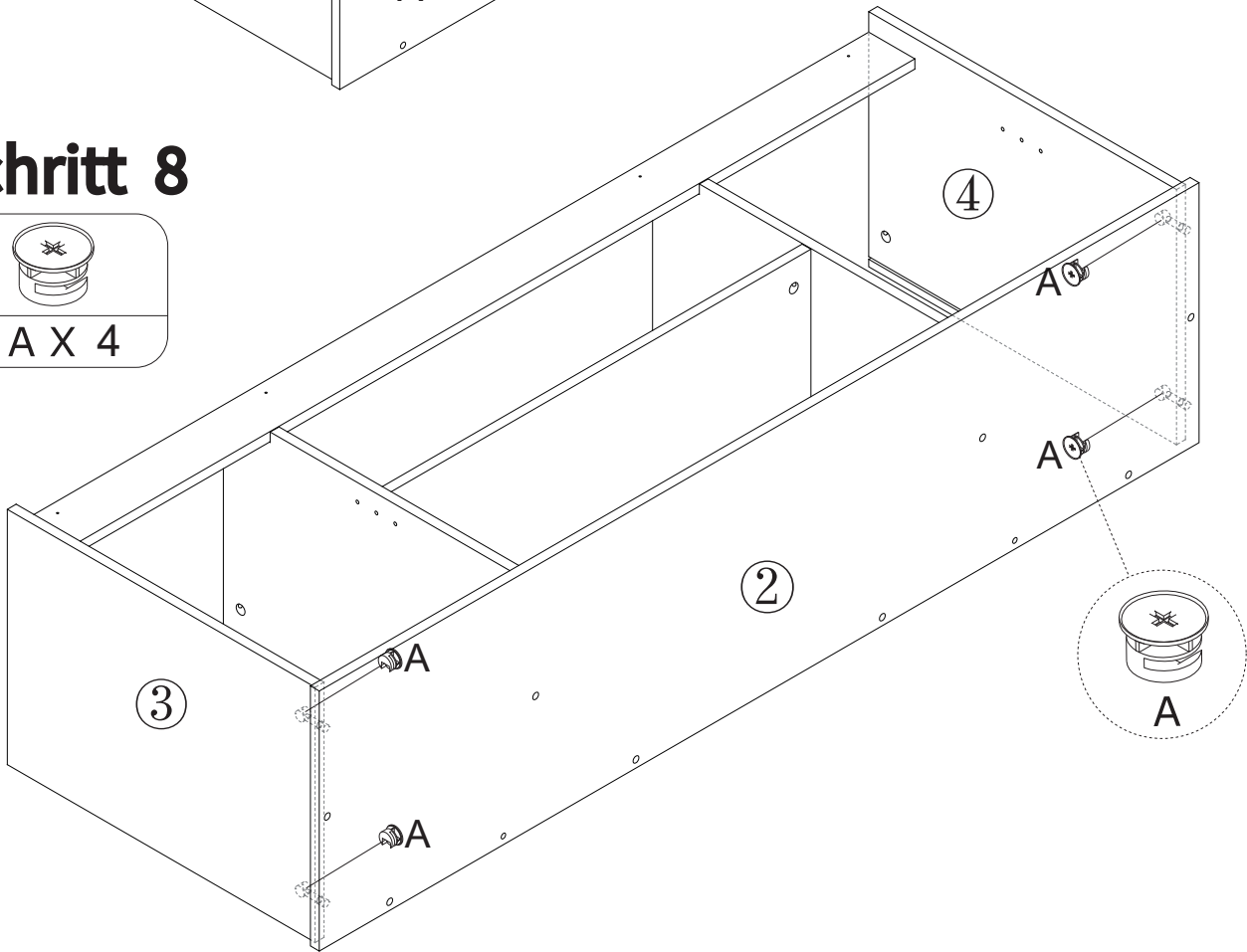
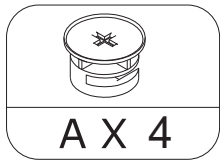


<p>B</p>		<p>Arrow must face hole</p> <p>A</p>	
<p>Gently screw cam bolt into the threaded anchor.</p>		<p>Lightly glue wood dowel and connect to second panel by inserting dowels into holes.</p>	<p>Screw the camlock firmly into locked position.</p>

# Schritt 7



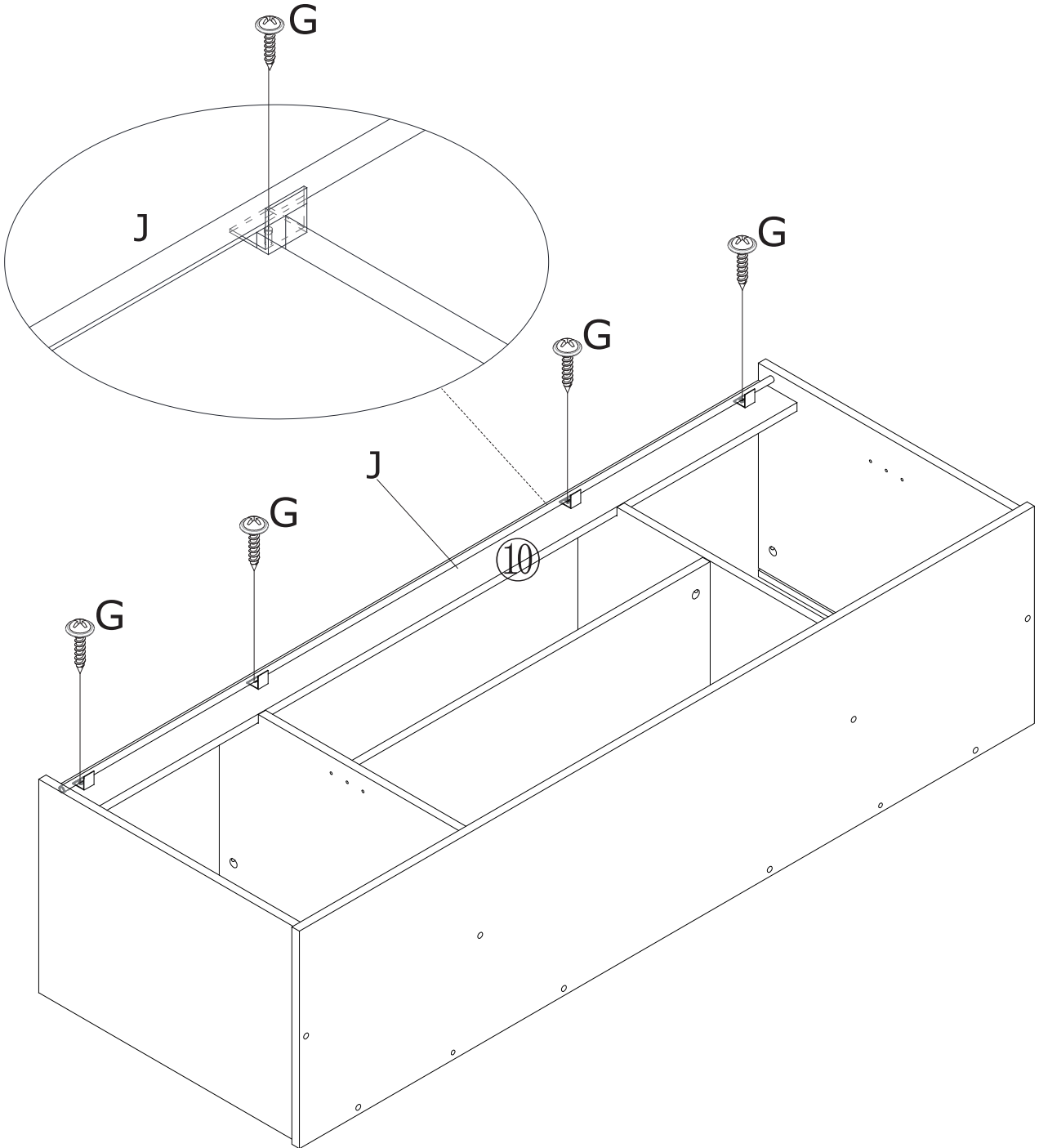
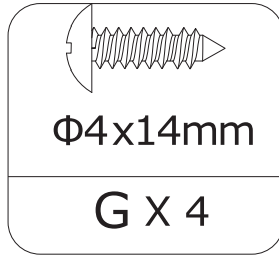
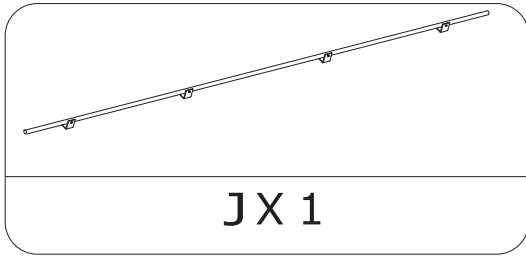
# Schritt 8



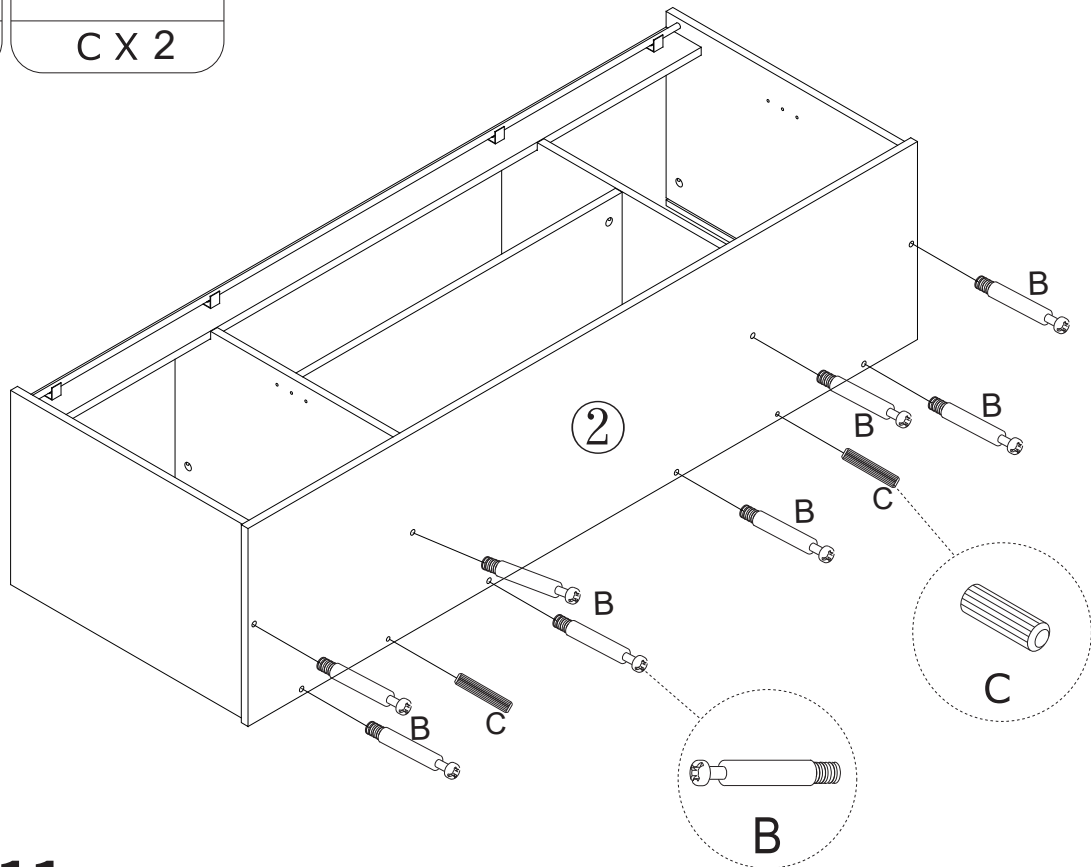
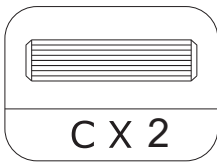
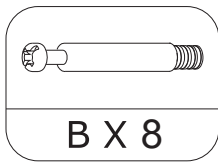
		<p>Arrow must face hole</p>	
<p>Gently screw cam bolt into the threaded anchor.</p>		<p>Lightly glue wood dowel and connect to second panel by inserting dowels into holes.</p>	<p>Screw the camlock firmly into locked position.</p>



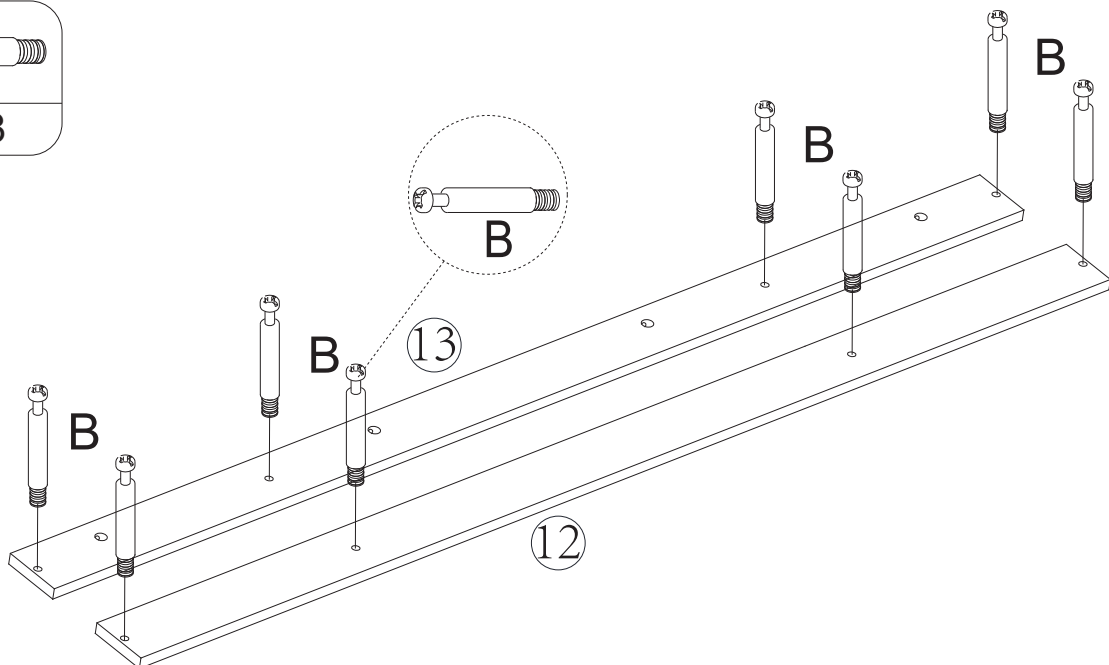
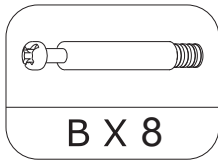
# Schritt 9



# Schritt 10

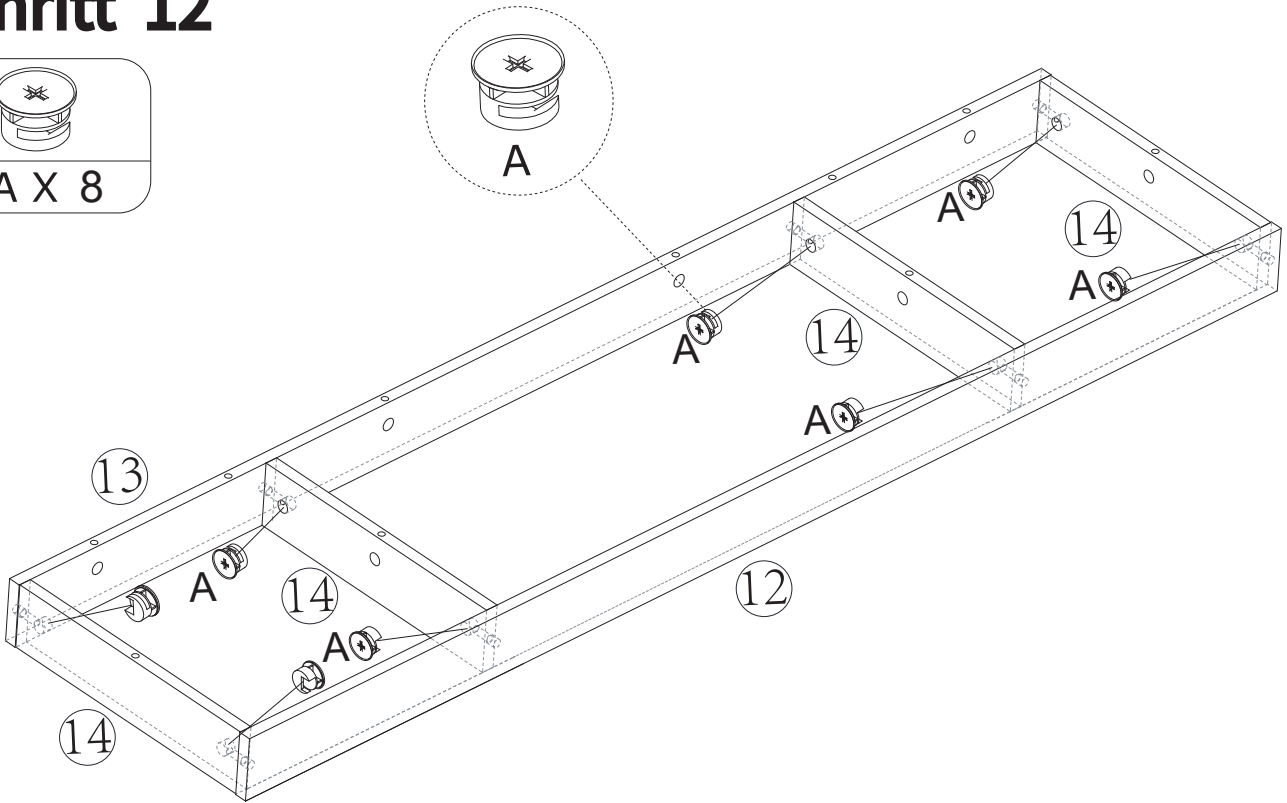
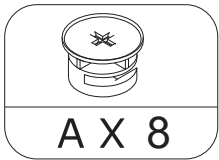


# Schritt 11



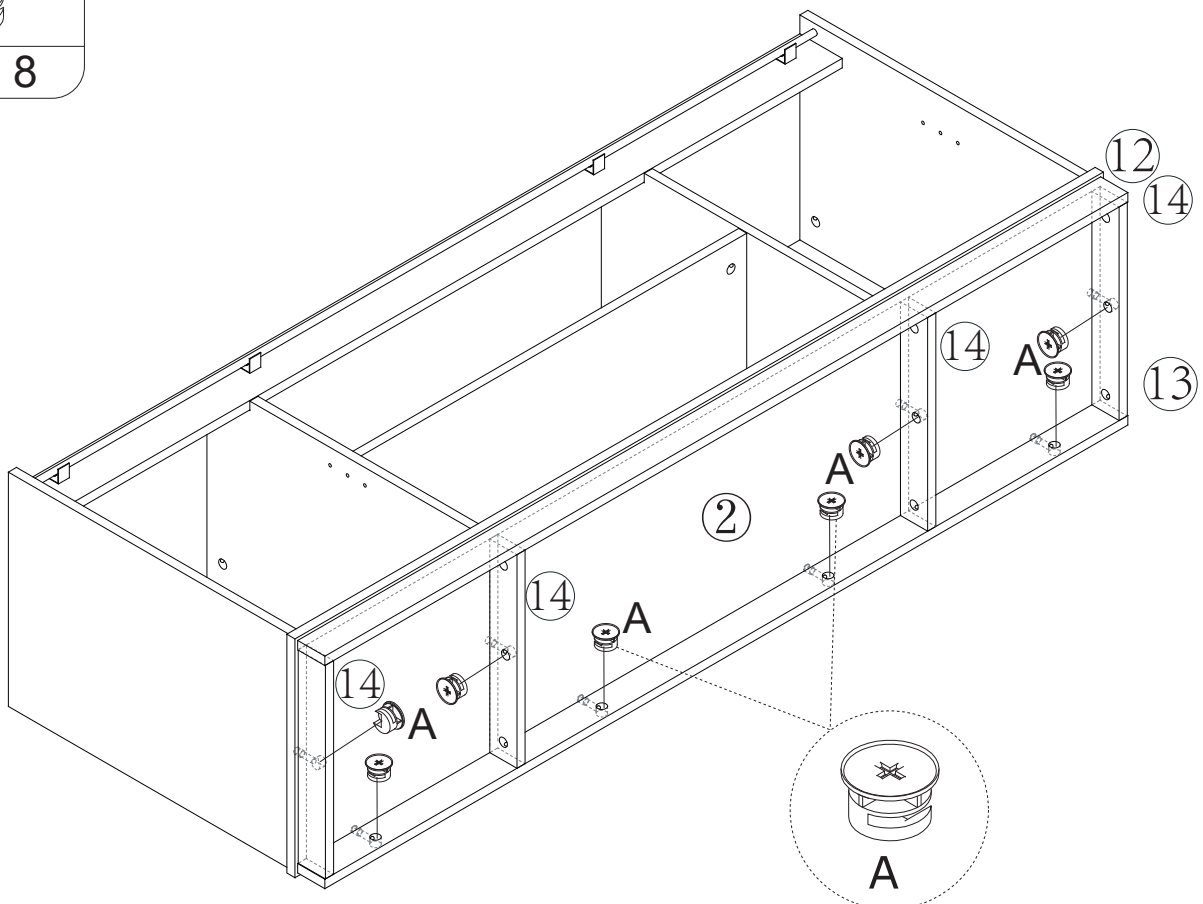
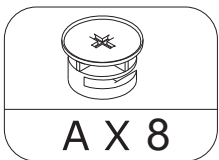
		<p>Arrow must face hole</p>	
<p>Gently screw cam bolt into the threaded anchor.</p>		<p>Lightly glue wood dowel and connect to second panel by inserting dowels into holes.</p>	<p>Screw the camlock firmly into locked position.</p>

# Schritt 12

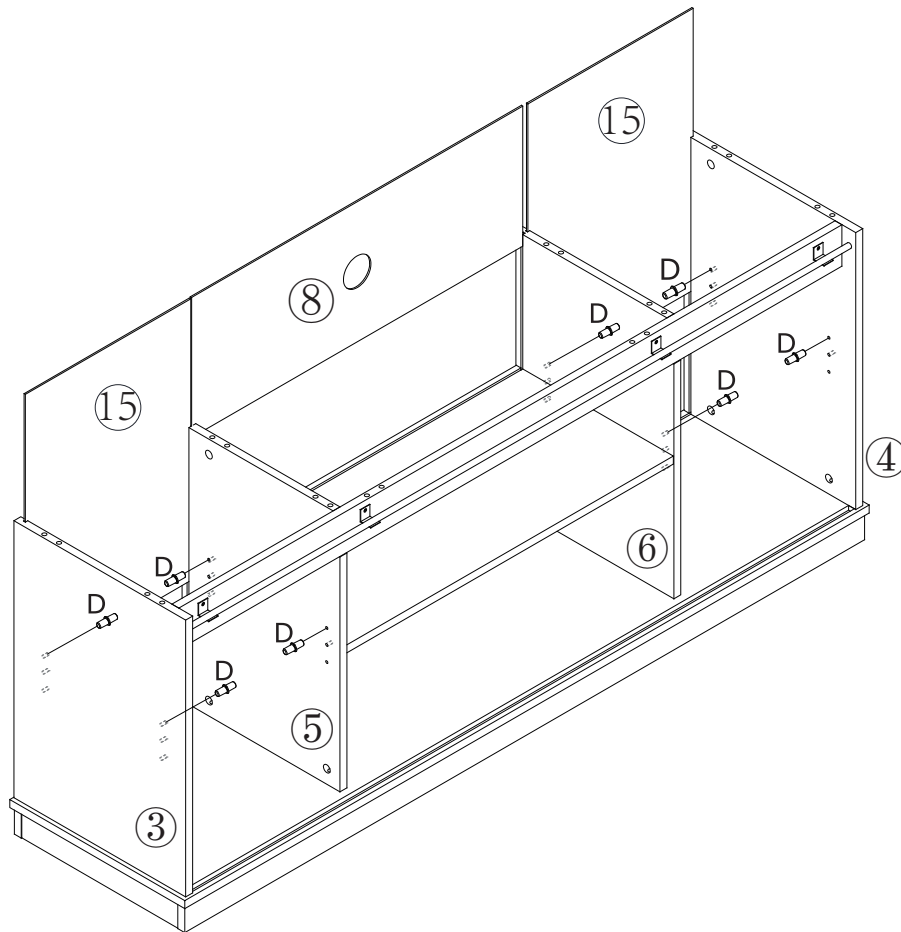
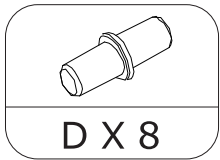


<p>B</p>		<p>Arrow must face hole</p> <p>⊕ A</p>	
<p>Gently screw cam bolt into the threaded anchor.</p>		<p>Lightly glue wood dowel and connect to second panel by inserting dowels into holes.</p>	<p>Screw the camlock firmly into locked position.</p>

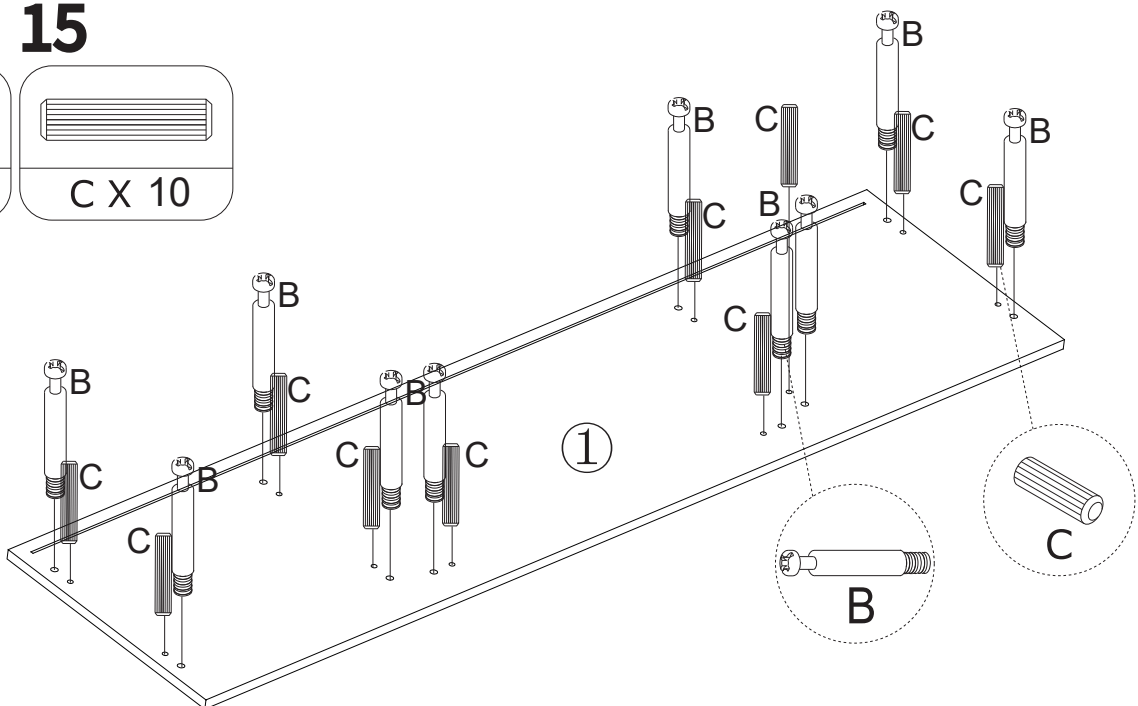
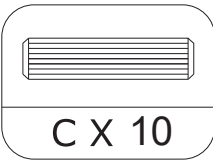
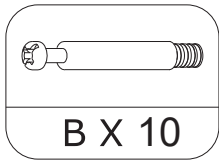
# Schritt 13



# Schritt 14

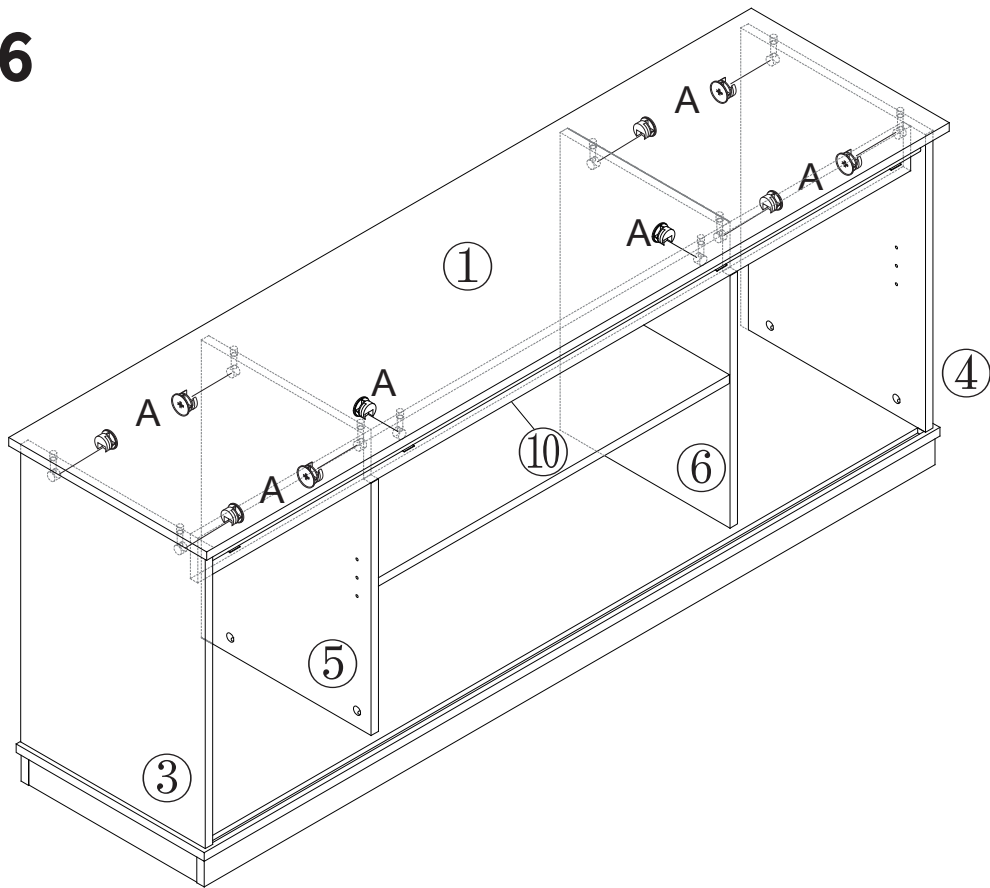
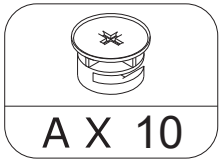


# Schritt 15



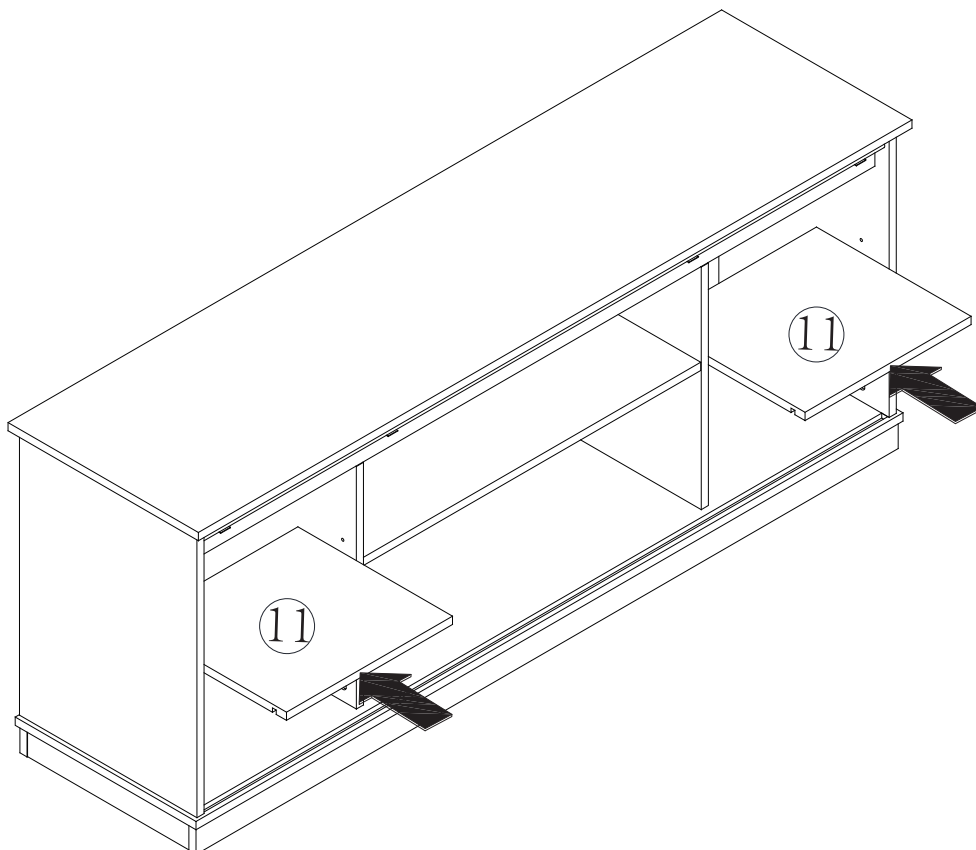
<p>B</p>		<p>Arrow must face hole</p> <p>A</p>	
<p>Gently screw cam bolt into the threaded anchor.</p>		<p>Lightly glue wood dowel and connect to second panel by inserting dowels into holes.</p>	<p>Screw the camlock firmly into locked position.</p>

# Schritt 16

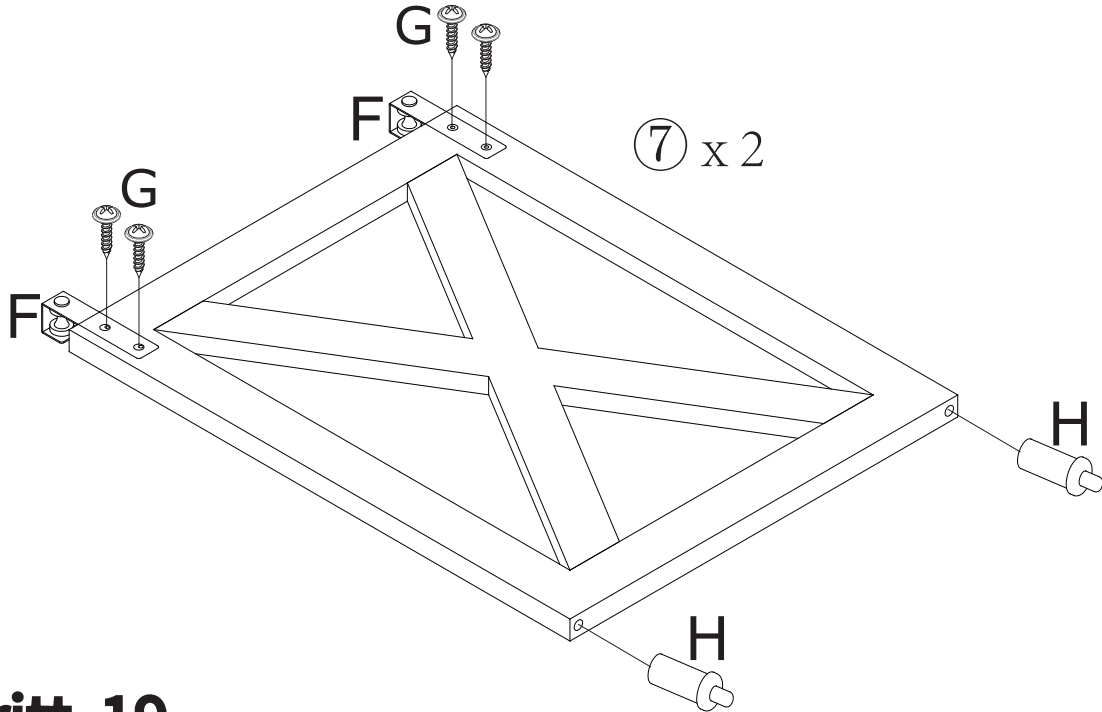
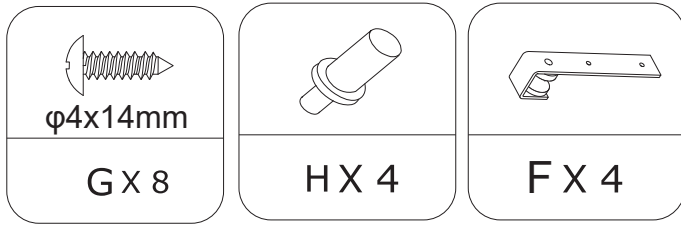


# Schritt 17

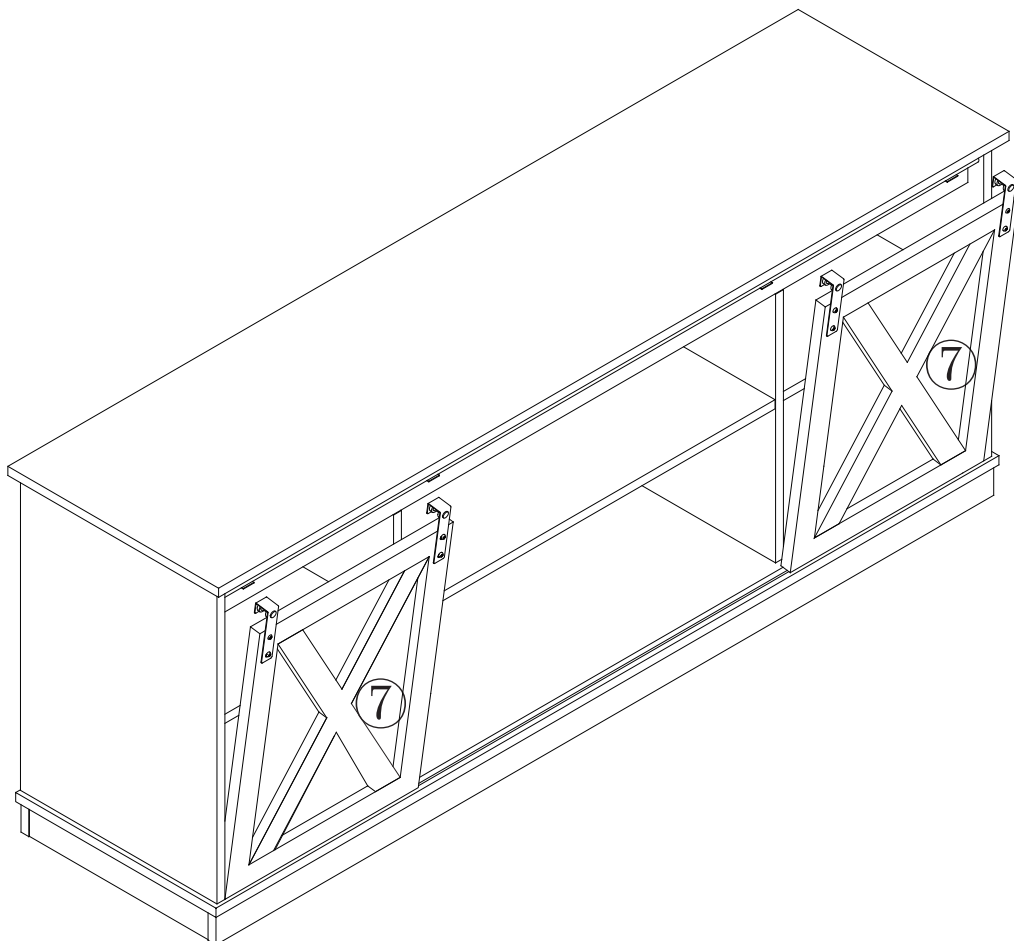
<p>B</p>		<p>Arrow must face hole</p> <p>⊕ A</p>	
<p>Gently screw cam bolt into the threaded anchor.</p>		<p>Lightly glue wood dowel and connect to second panel by inserting dowels into holes.</p>	<p>Screw the camlock firmly into locked position.</p>



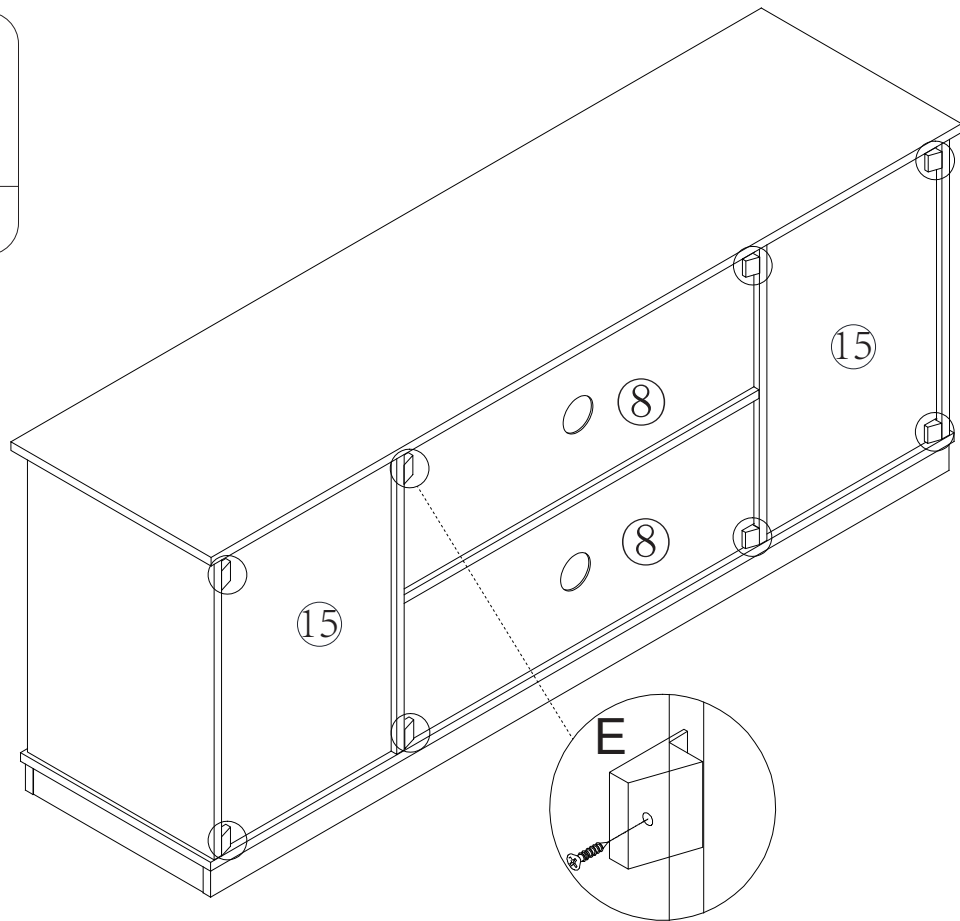
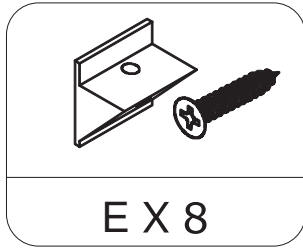
# Schritt 18



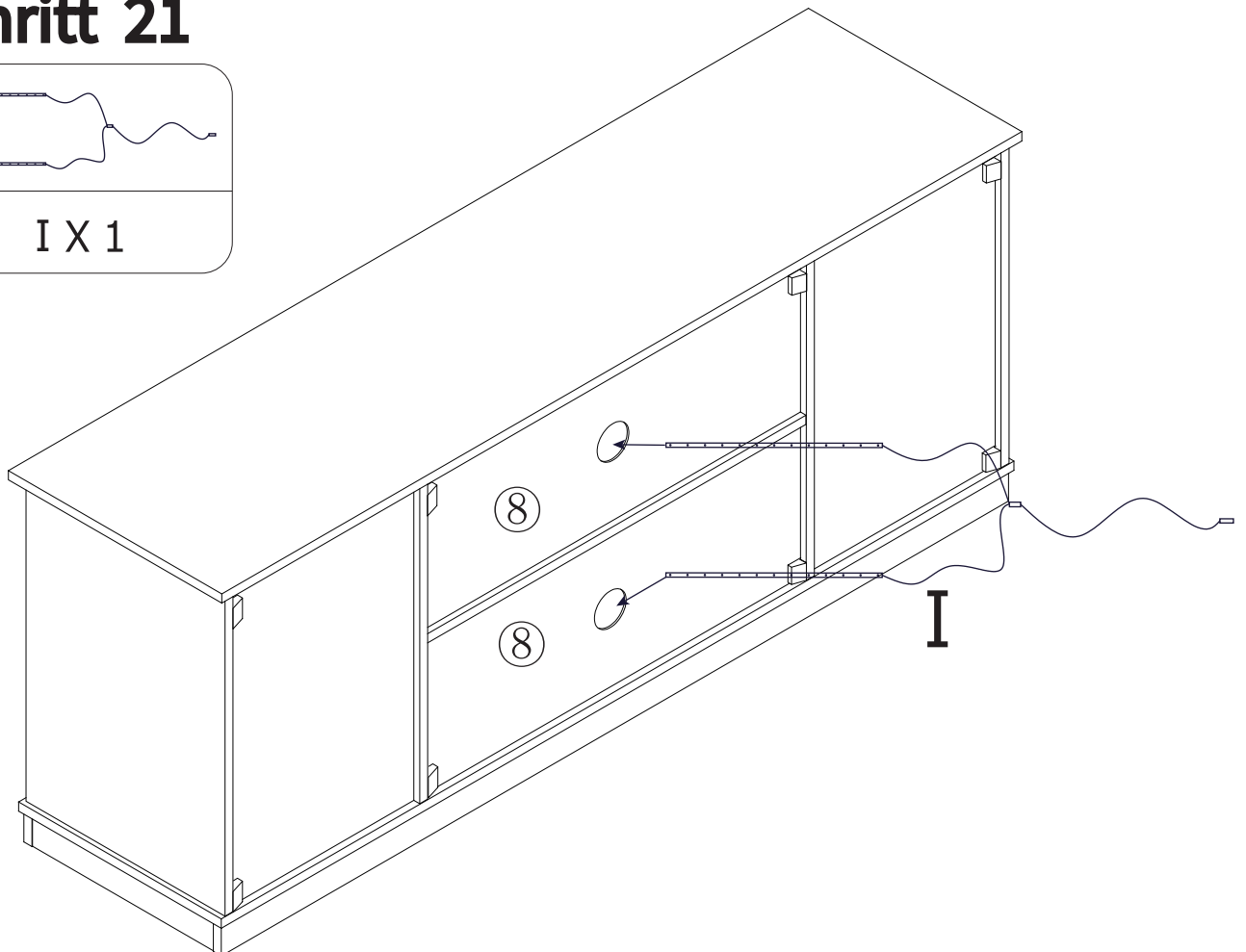
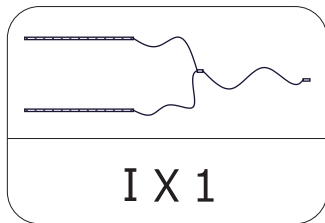
# Schritt 19



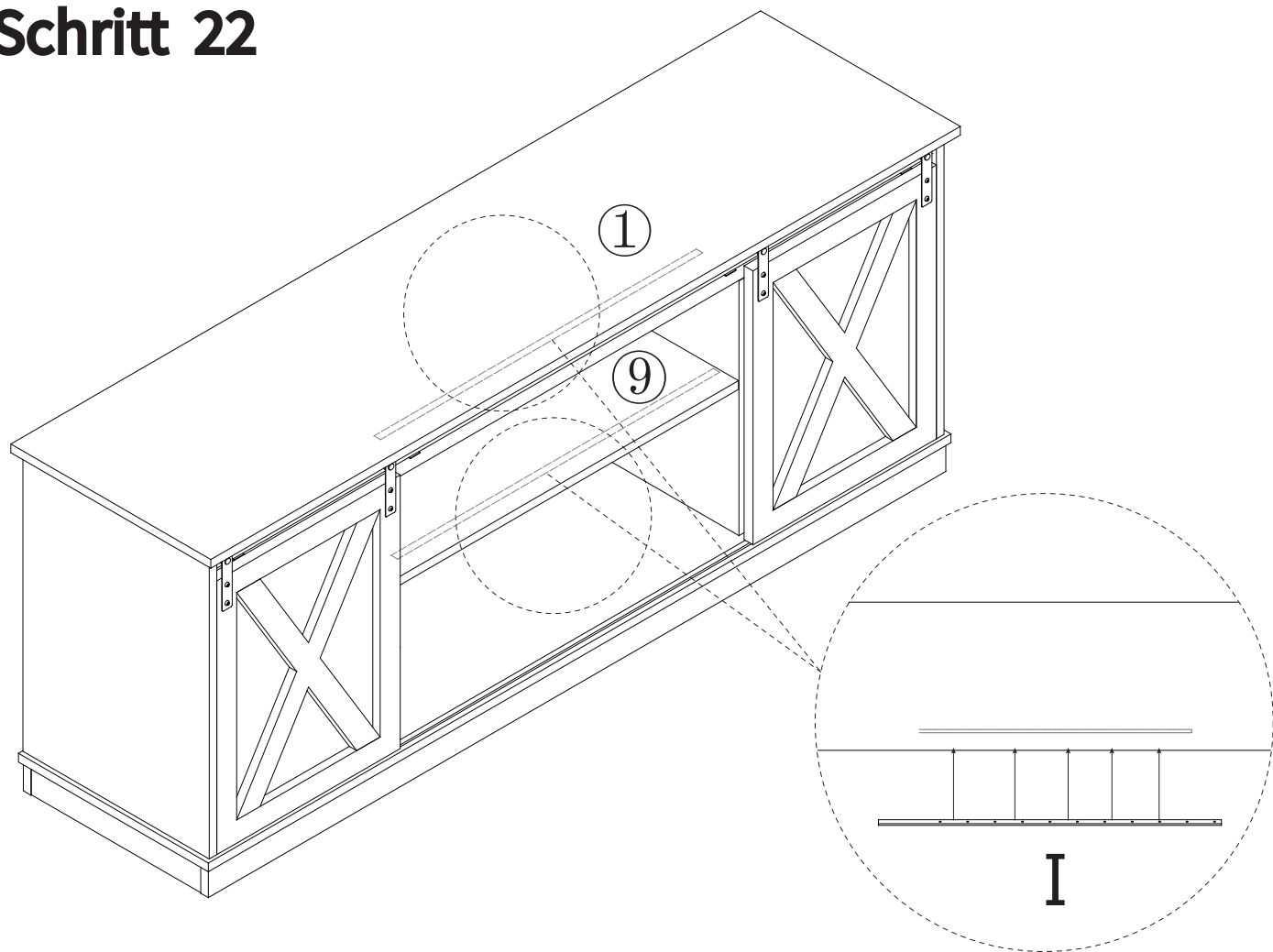
## Schritt 20



## Schritt 21



# Schritt 22



# FNISHI

