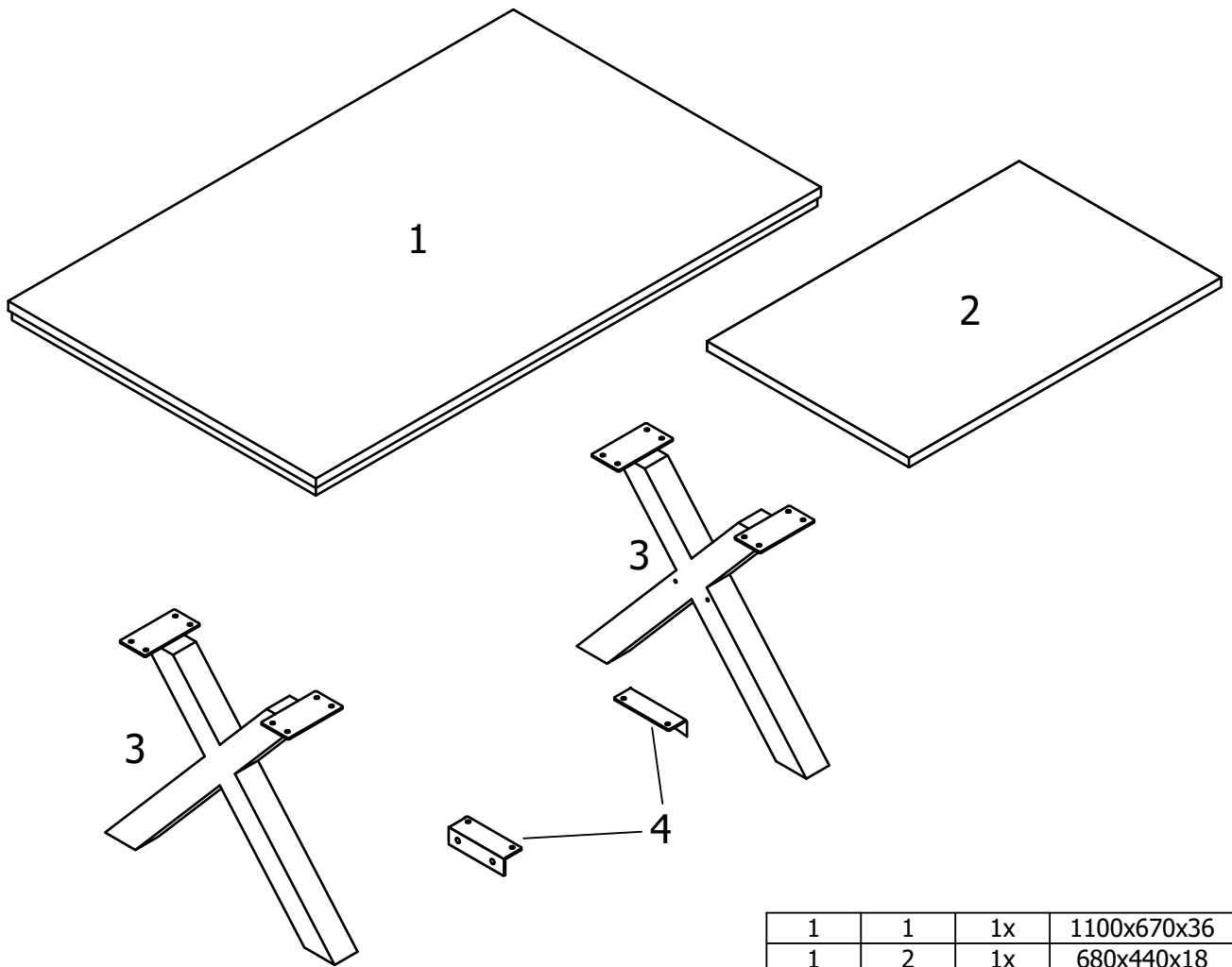
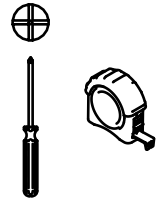
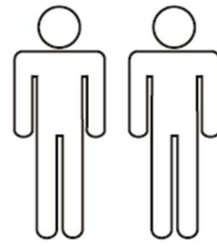
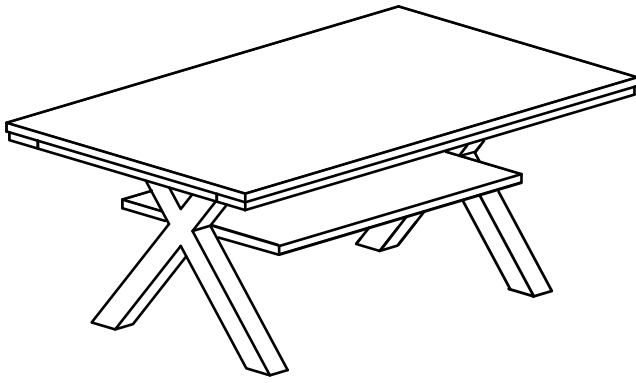
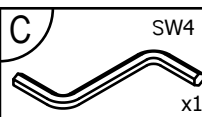
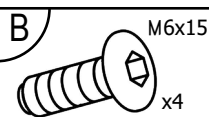
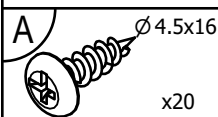


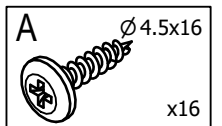
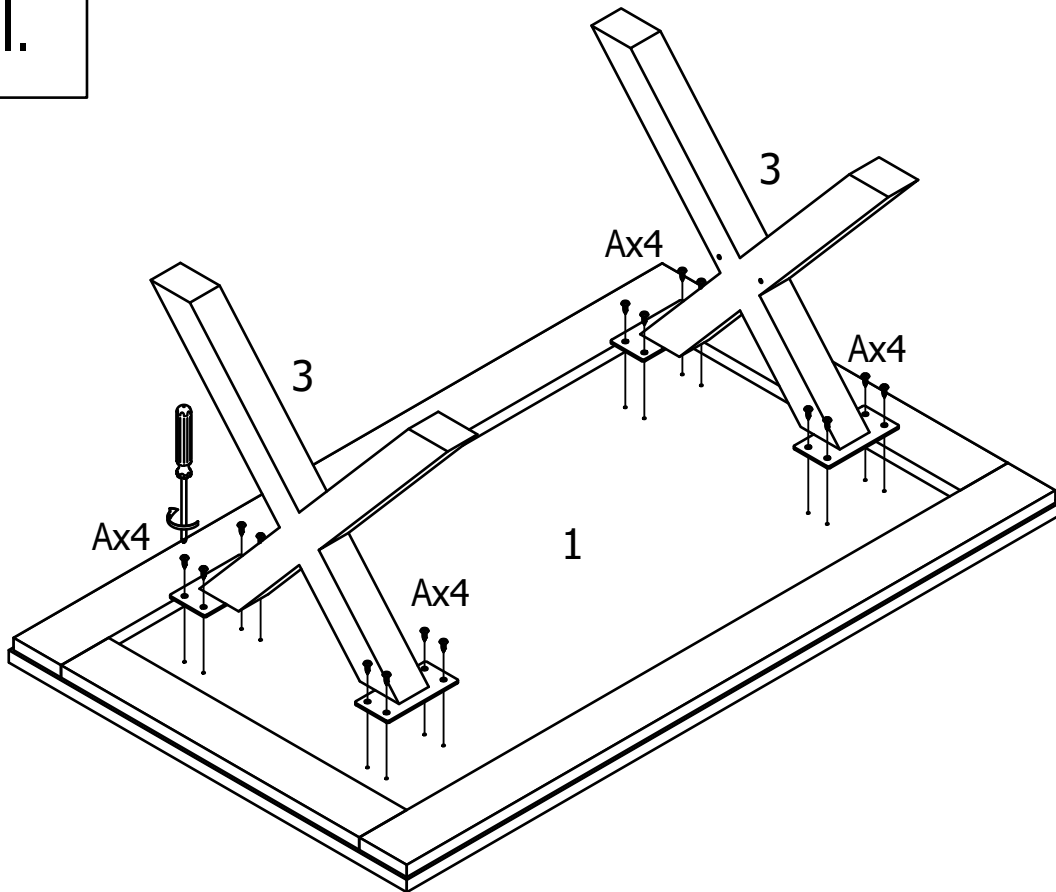
Mats CT



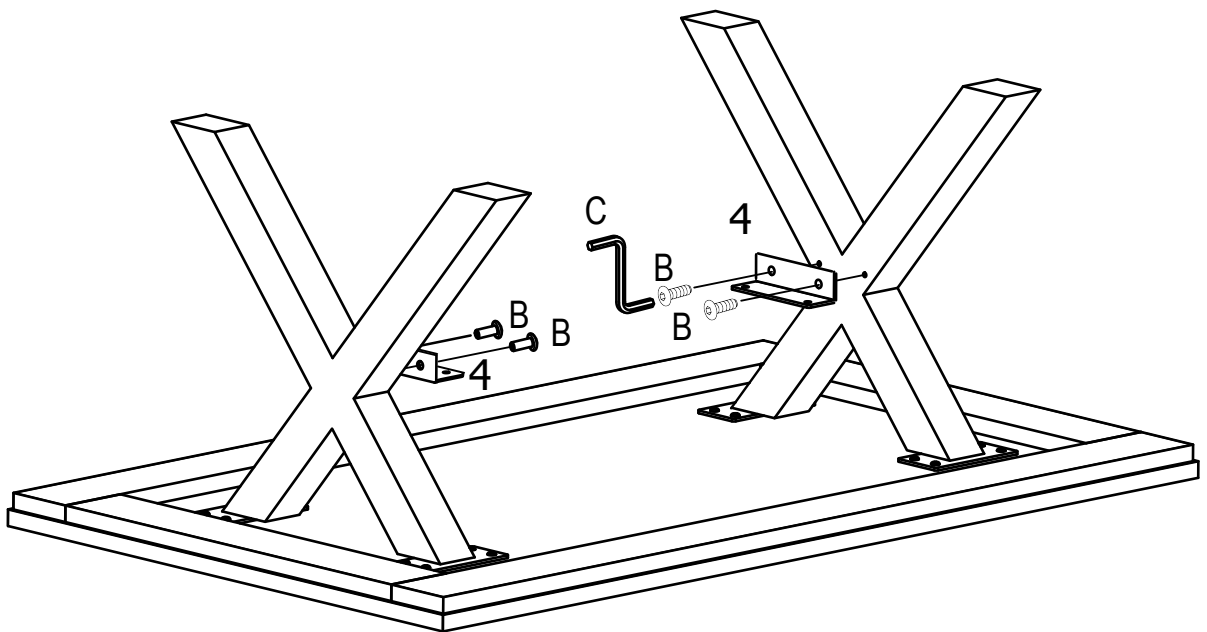
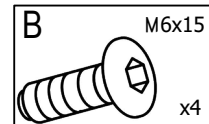
1	1	1x	1100x670x36
1	2	1x	680x440x18
2	3	2x	412x500x50
2	4	2x	120x40x30



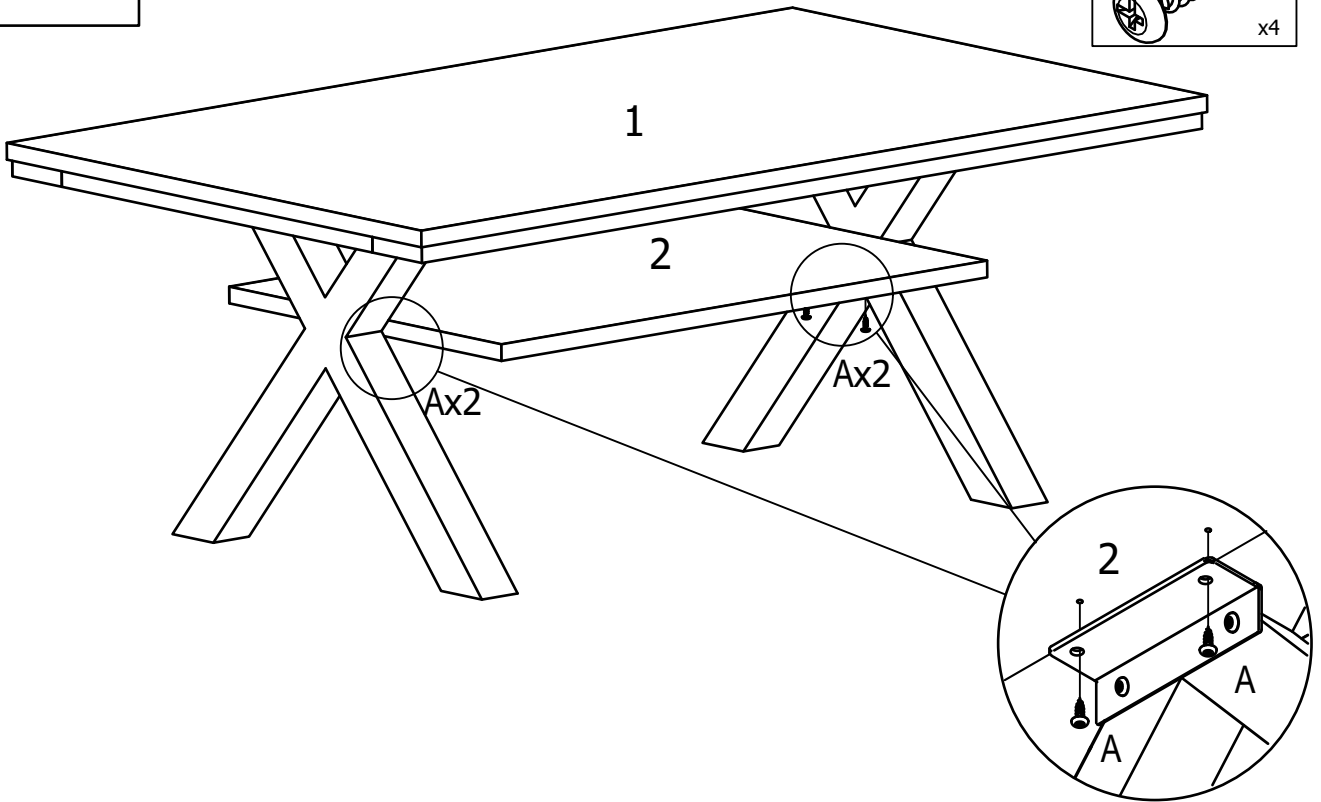
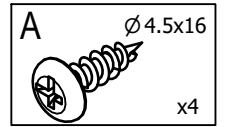
I.



II.



III.



IV.

