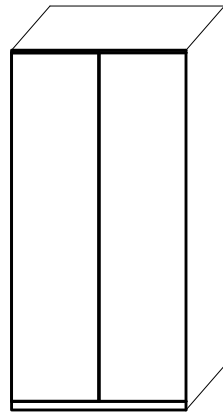
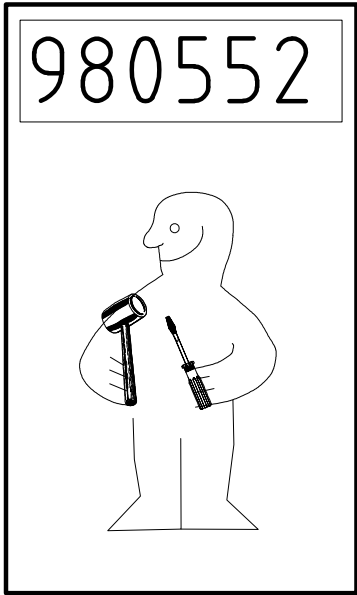
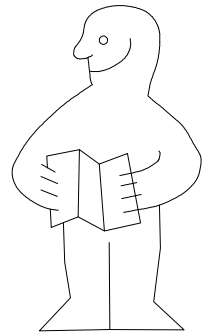
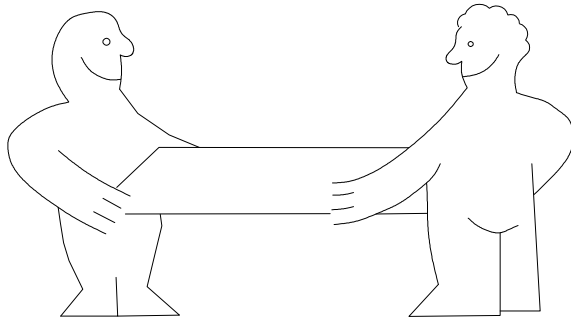
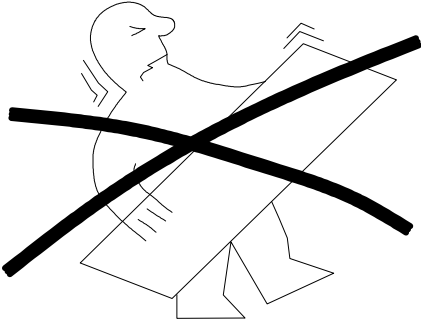


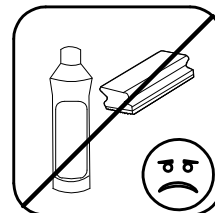
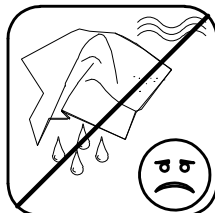
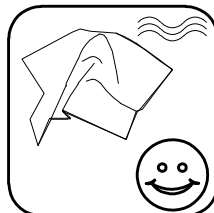
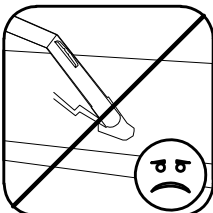
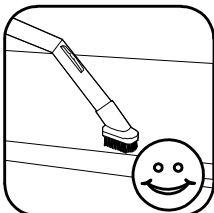
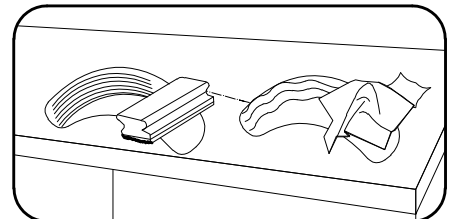
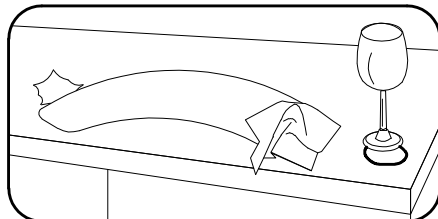
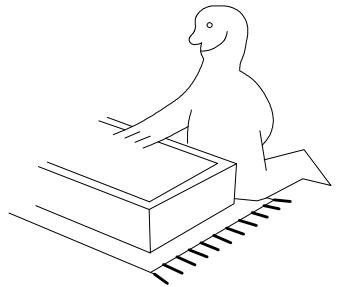
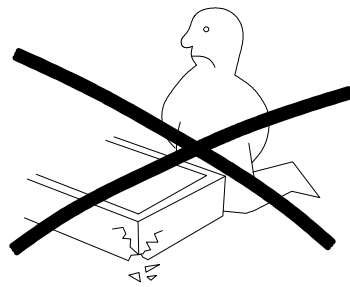
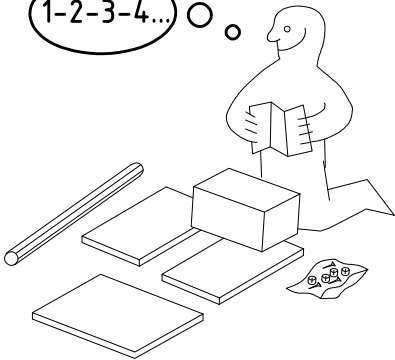
980552



HSP 100



1-2-3-4... ○



980552

26.07.17 / -

07 17

1/9

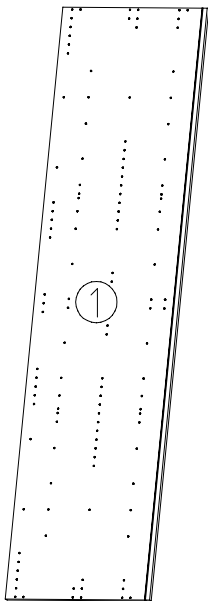
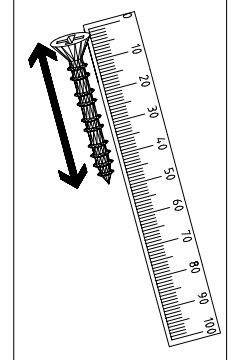
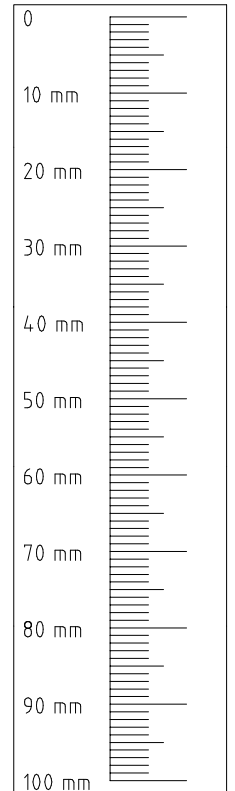
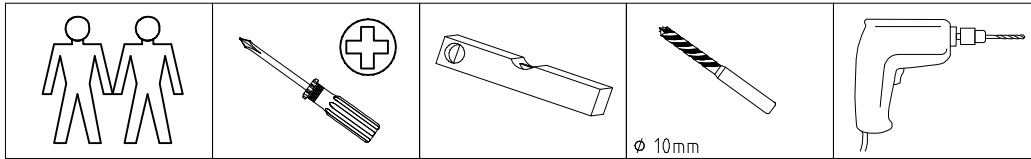
 111 149	A1	8x
 111 103 3,5 x 15 mm	C	8x
 121 370	G1	14x
 111 xxx	N-D	3x

 112 291	M1	6x
 112 289	N1	6x
 111 300	S0	5x
 111 xxx φ12	V12	5x

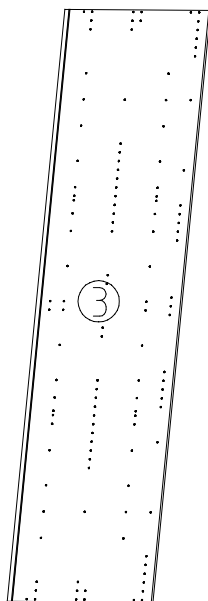
 117 002	K2	2x
 112 400	SBV	8x
 100cm	K10	1x

 111 611	J2	3x
 6,3 x 10,5 mm	T1	10x
 112 607	L8	4x

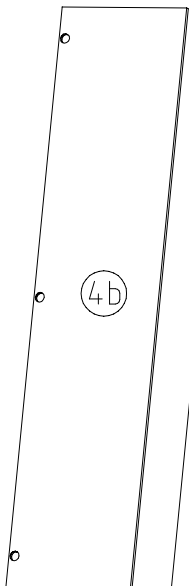
 352 302	KP8	4x
 111 052	o10	1x
 4 X 13mm	SP13	2x



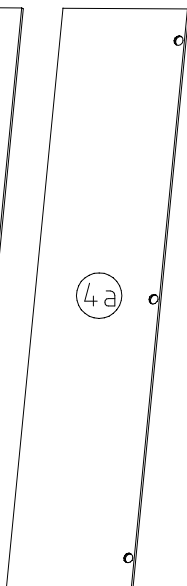
2160x560x15



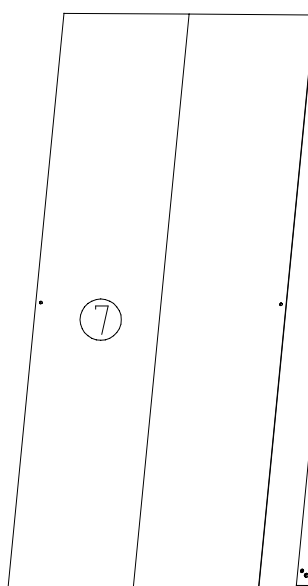
2160x560x15



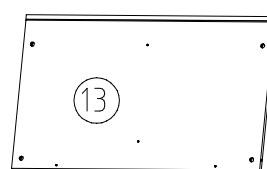
2118x484x15



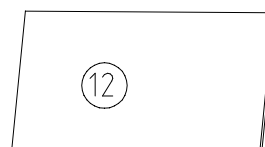
2118x484x15



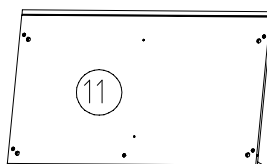
2111x973x2,5



964x560x15

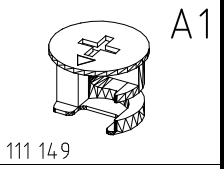
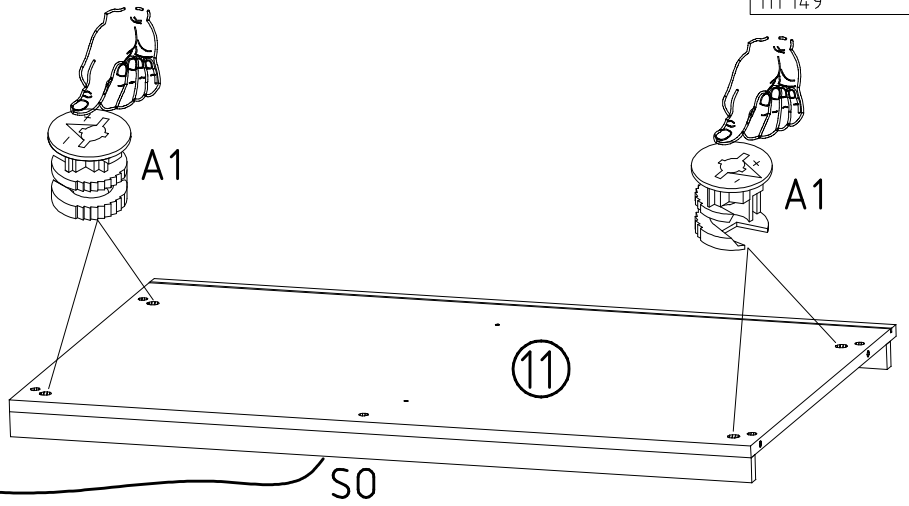
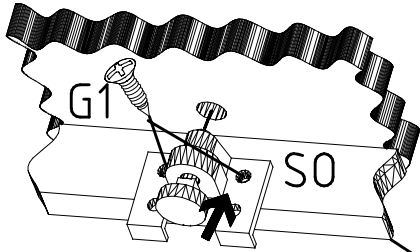


964x500x18

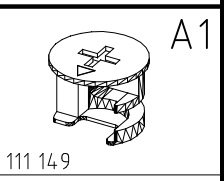
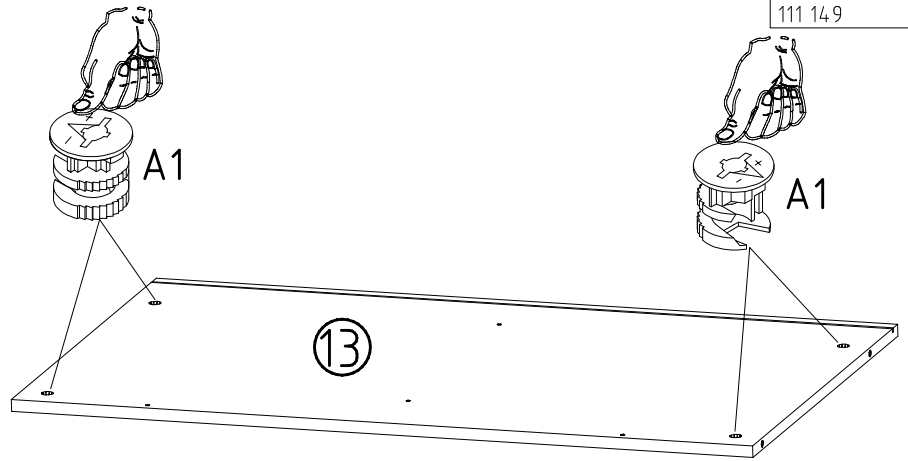


964x560x47

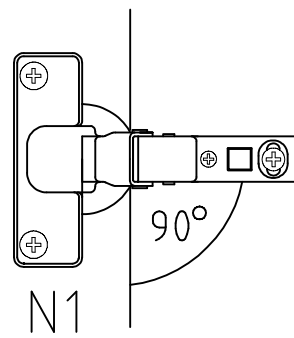
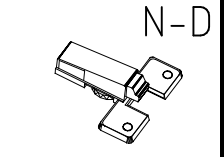
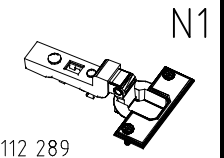
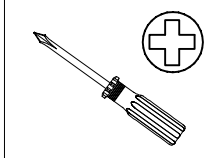
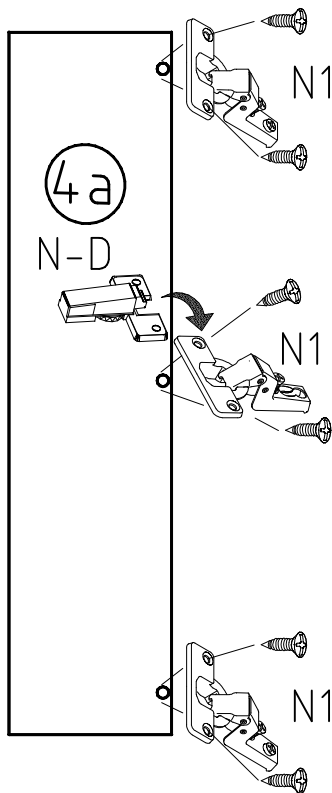
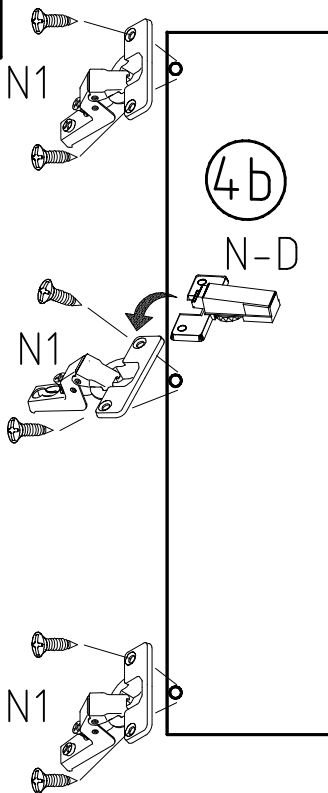
1

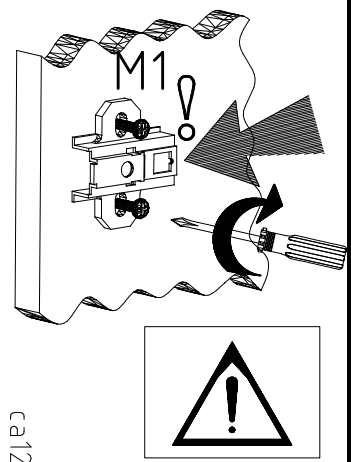
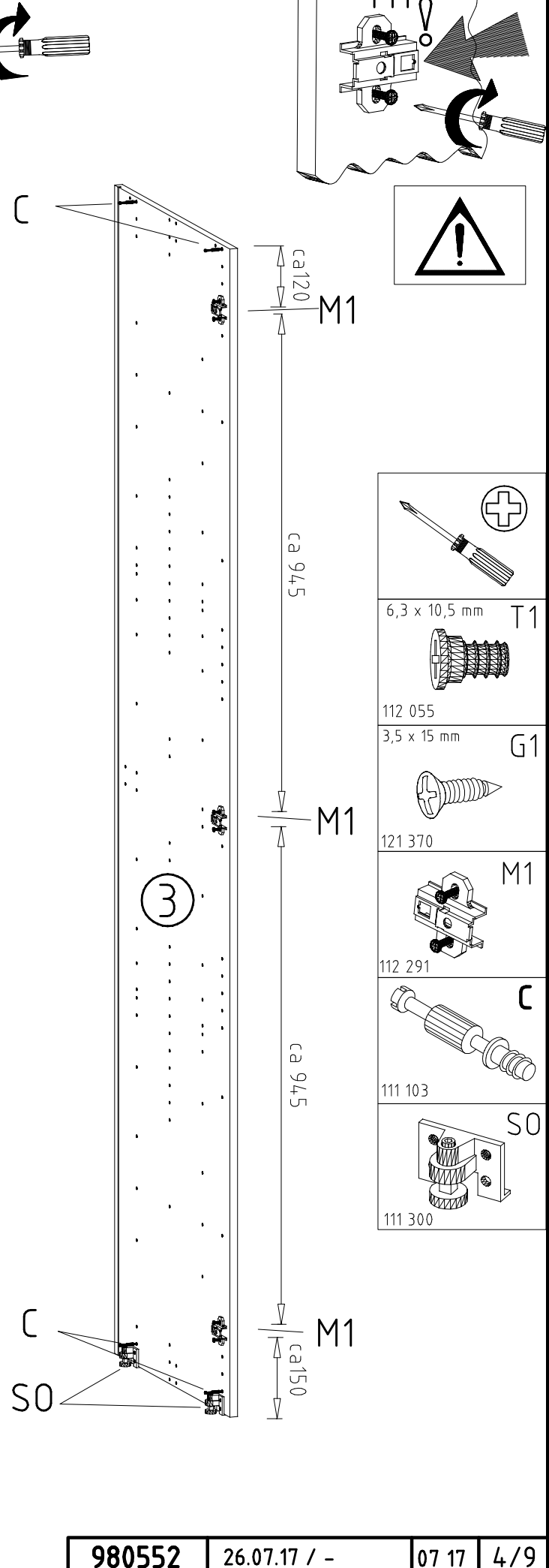
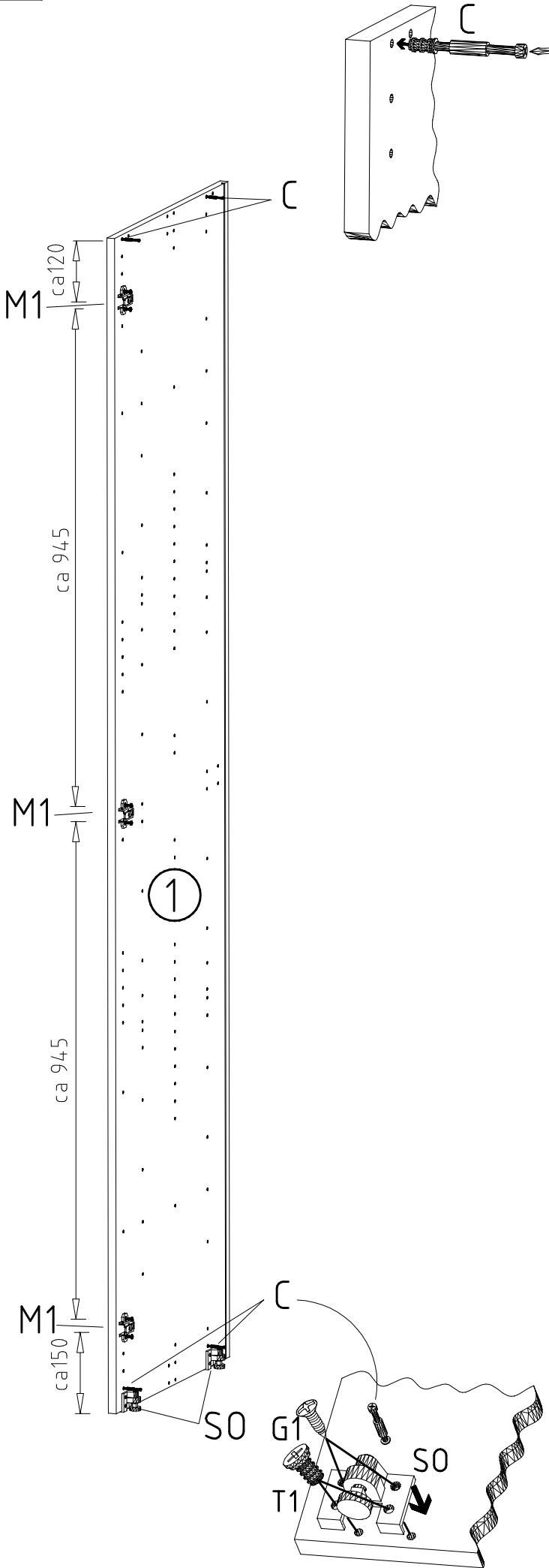


2



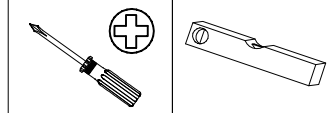
3



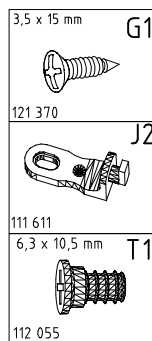
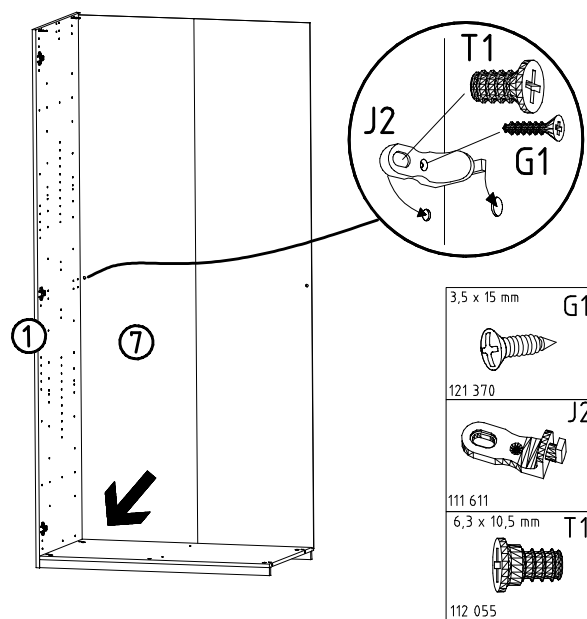
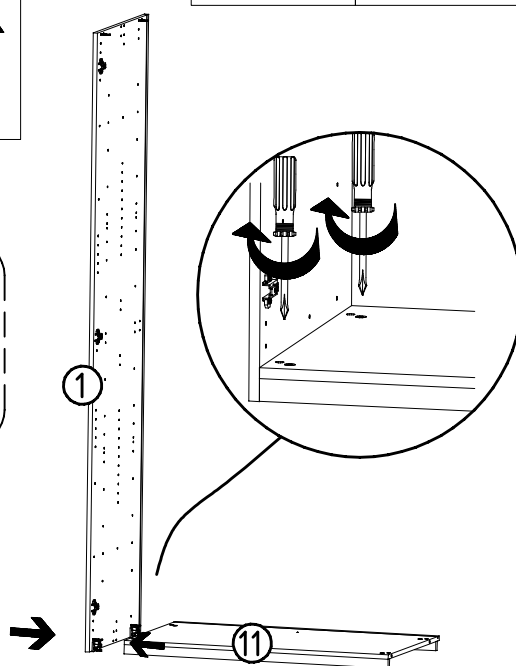
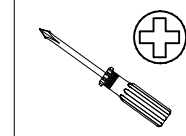


- | | |
|---------------|---------|
| | |
| 6,3 x 10,5 mm | T1 |
| | 112 055 |
| 3,5 x 15 mm | G1 |
| | 121 370 |
| | M1 |
| 112 291 | |
| | C |
| 111 103 | |
| | SO |
| 111 300 | |

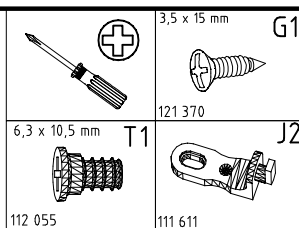
5



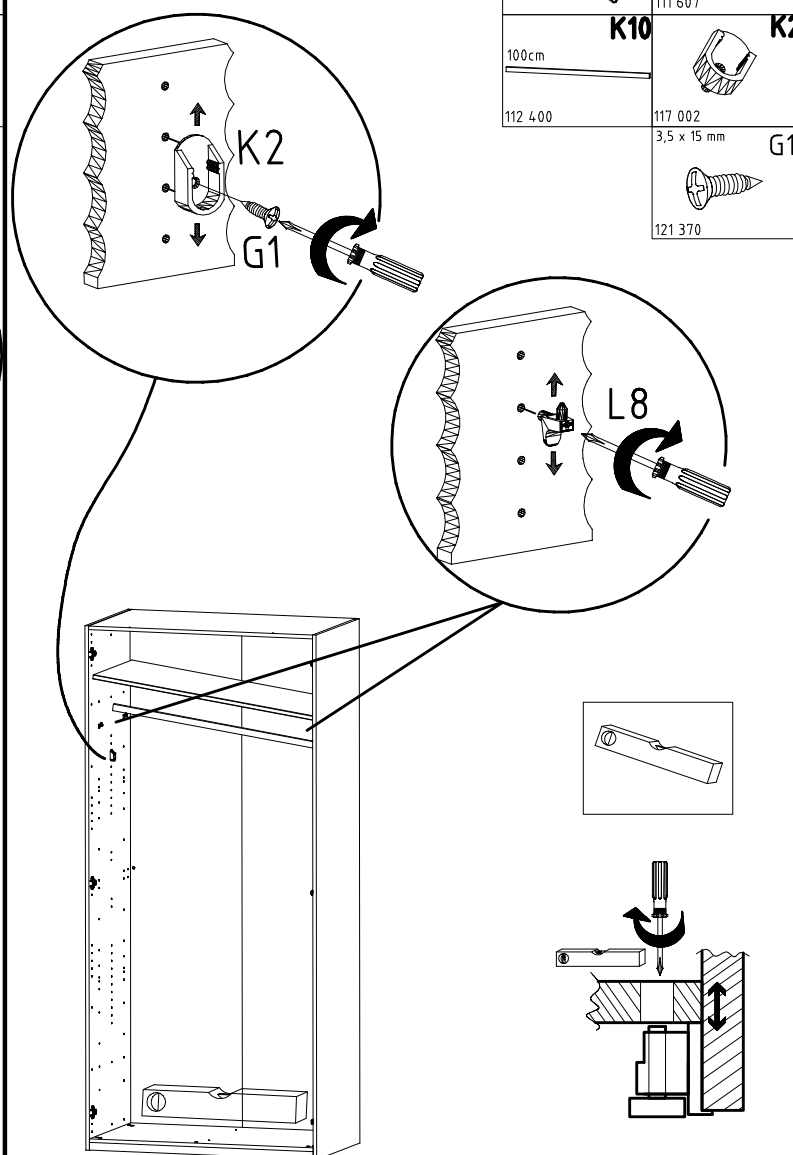
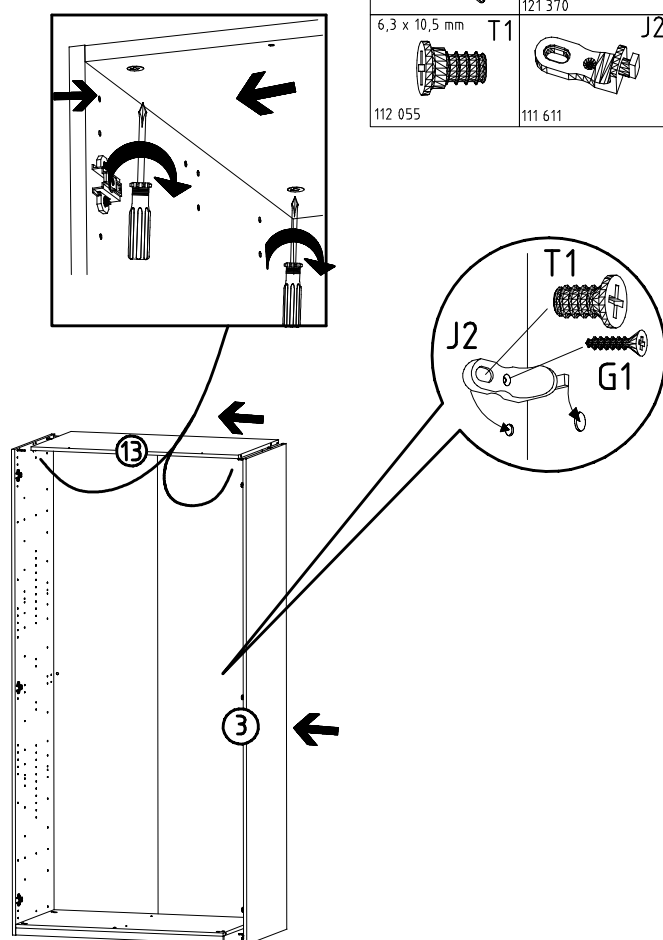
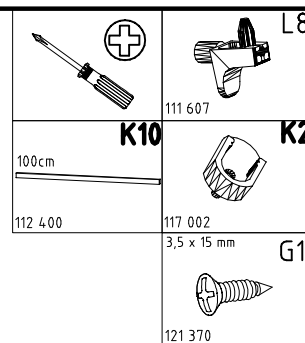
6



7



8



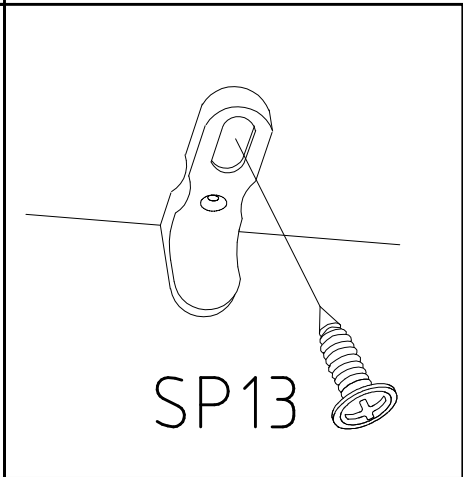
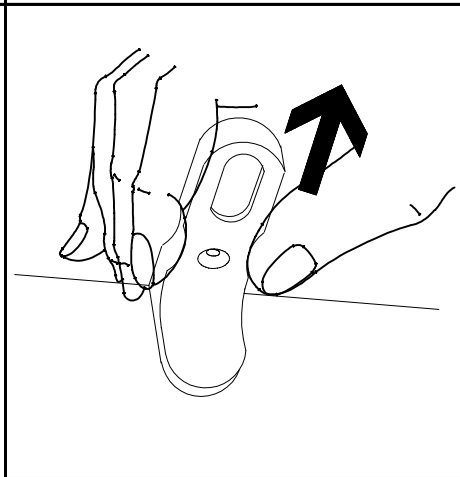
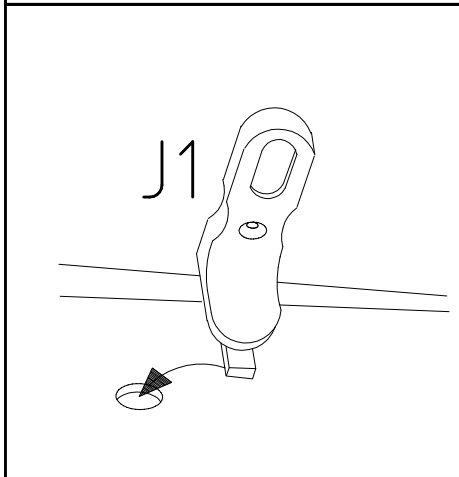
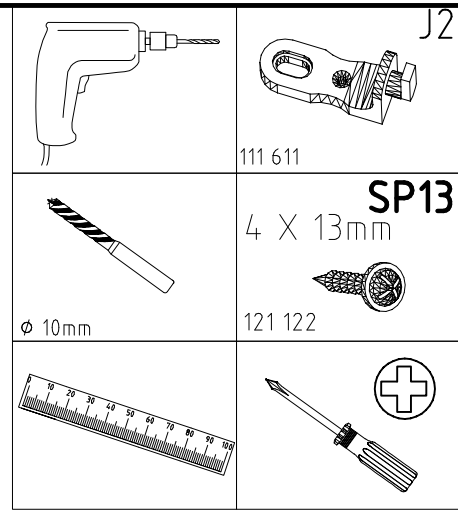
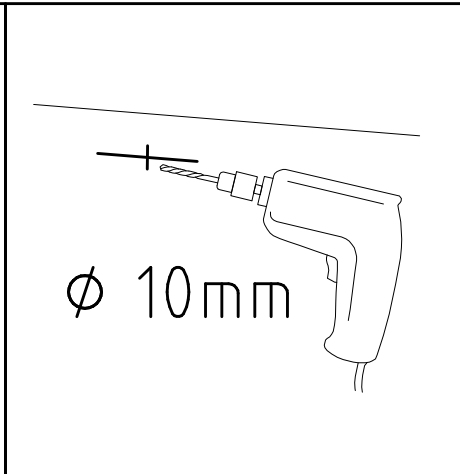
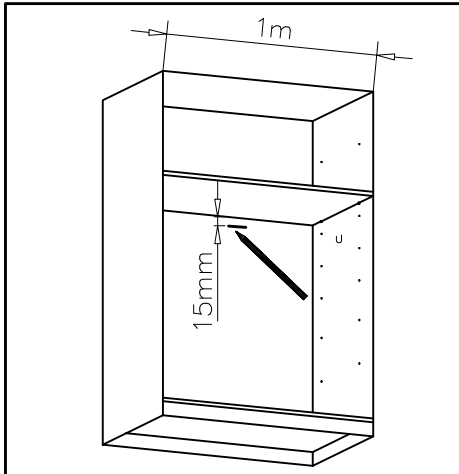
980552

26.07.17 / -

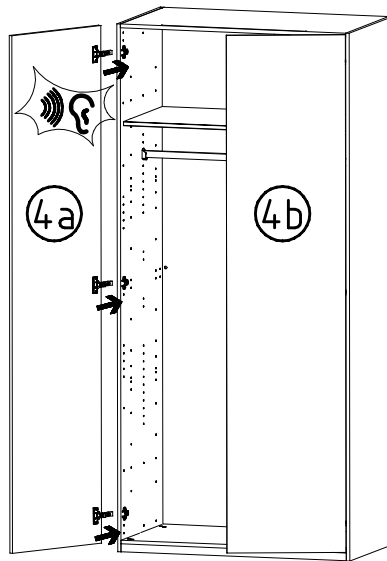
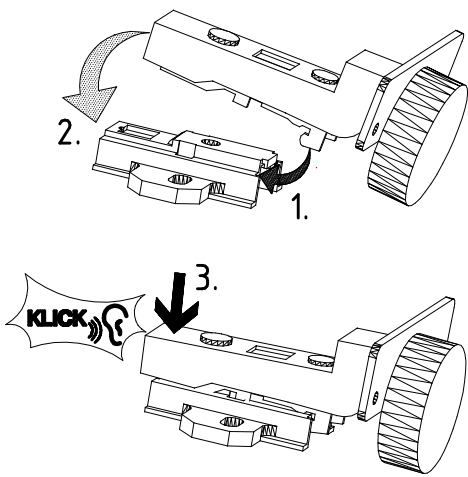
07 17

5/9

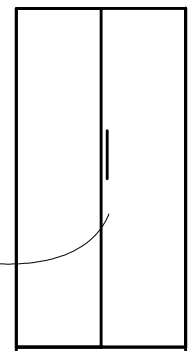
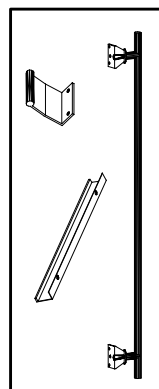
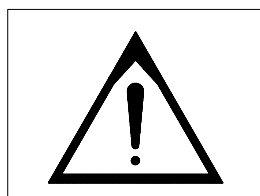
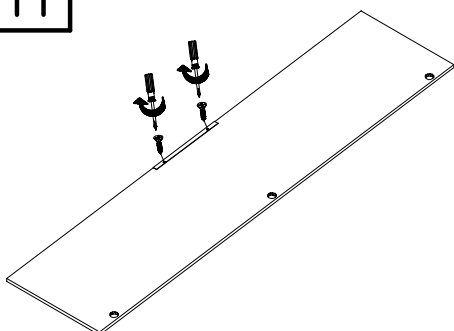
9



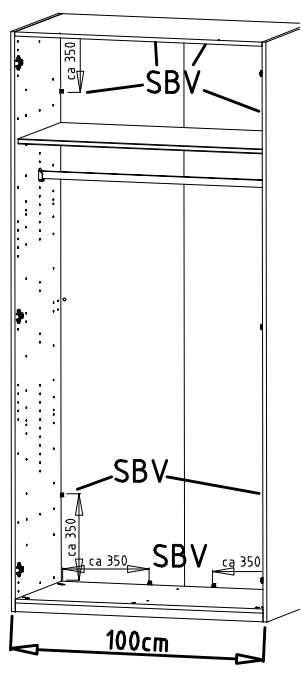
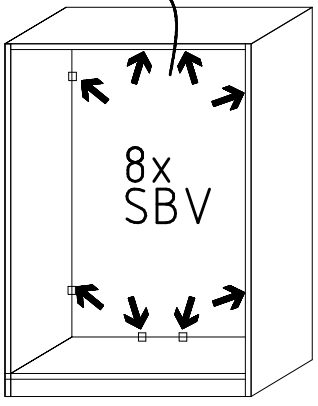
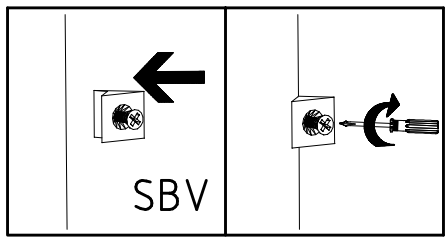
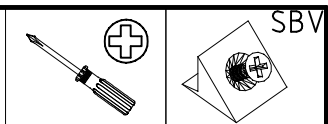
10



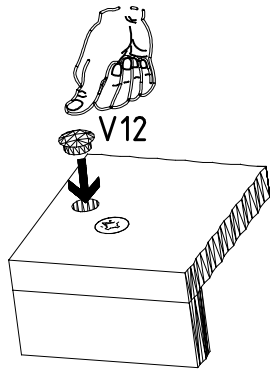
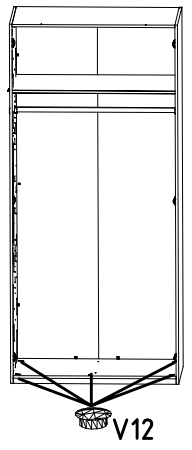
11



12



13



14

