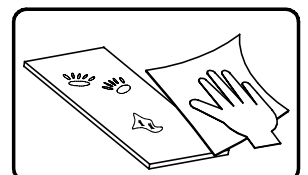
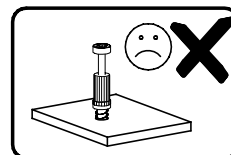
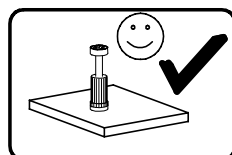
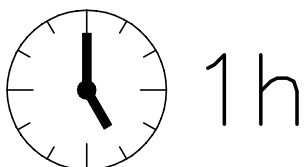
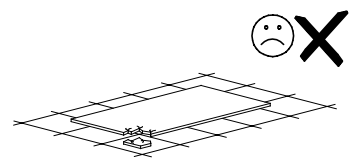
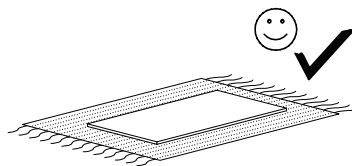
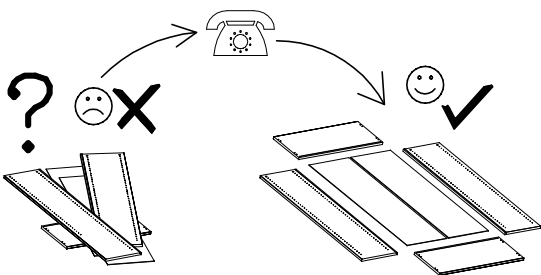
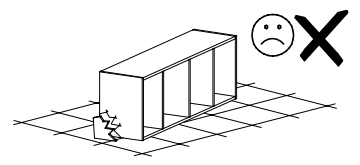
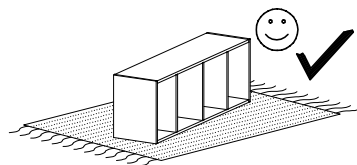
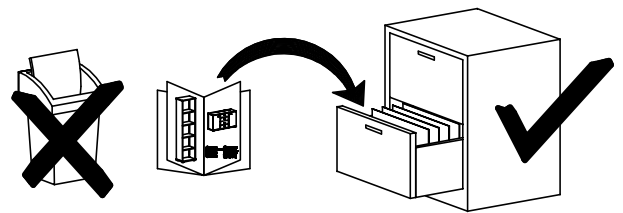
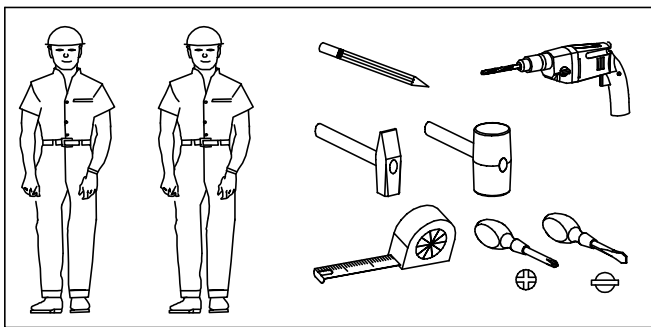
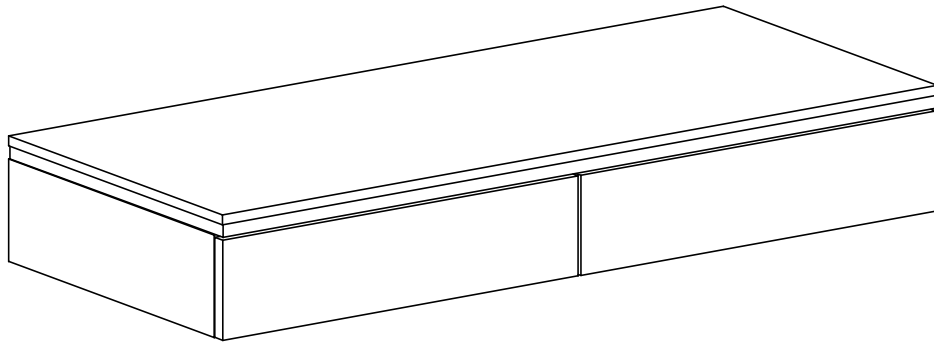
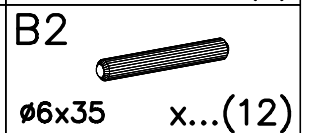
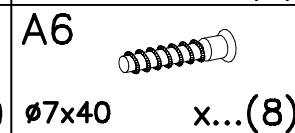
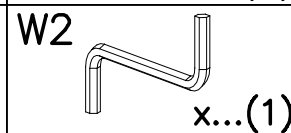
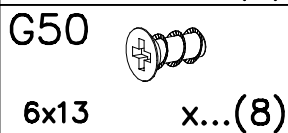
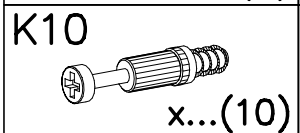
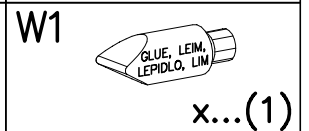
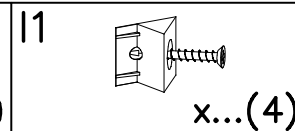
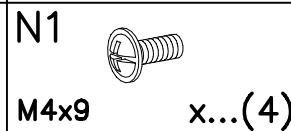
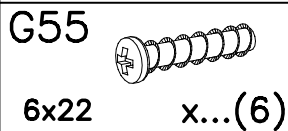
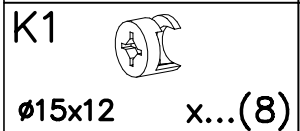
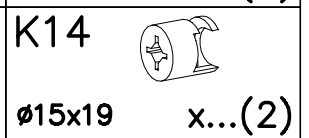
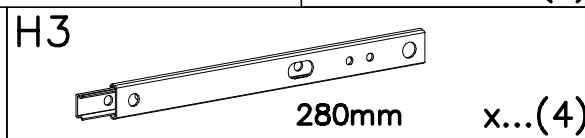
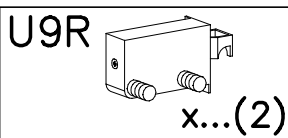
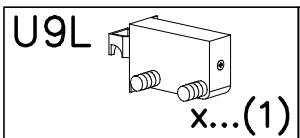
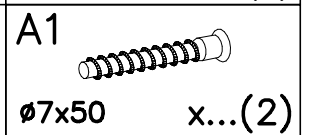
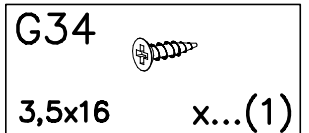
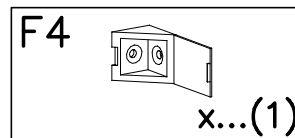
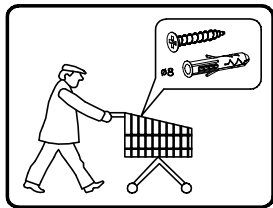
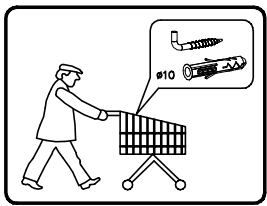
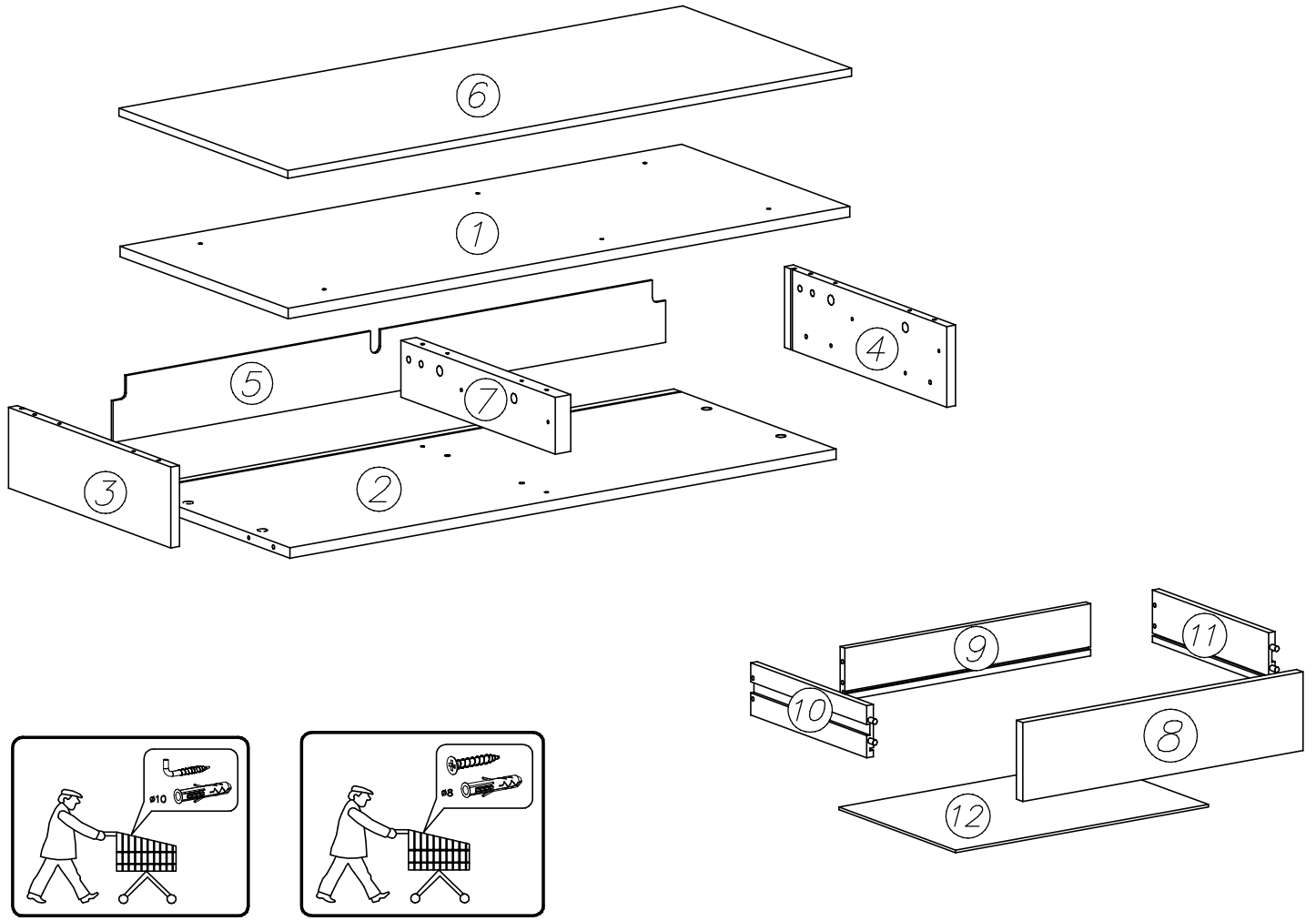
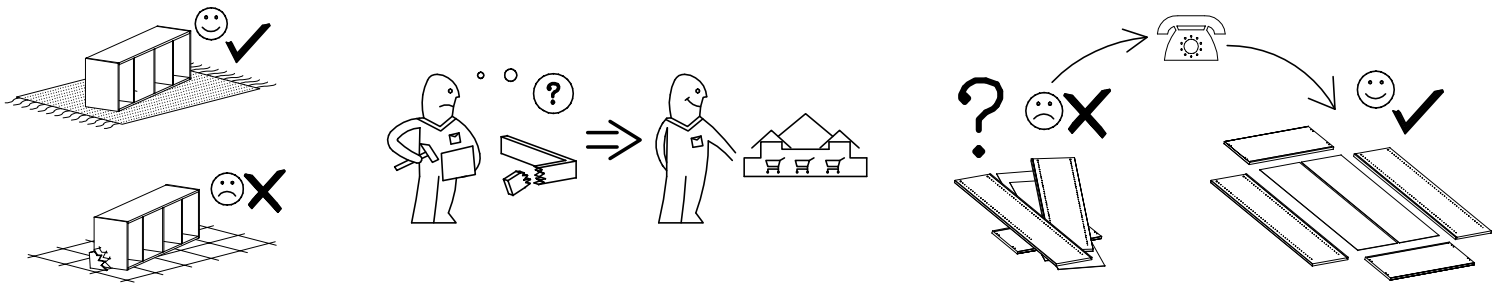


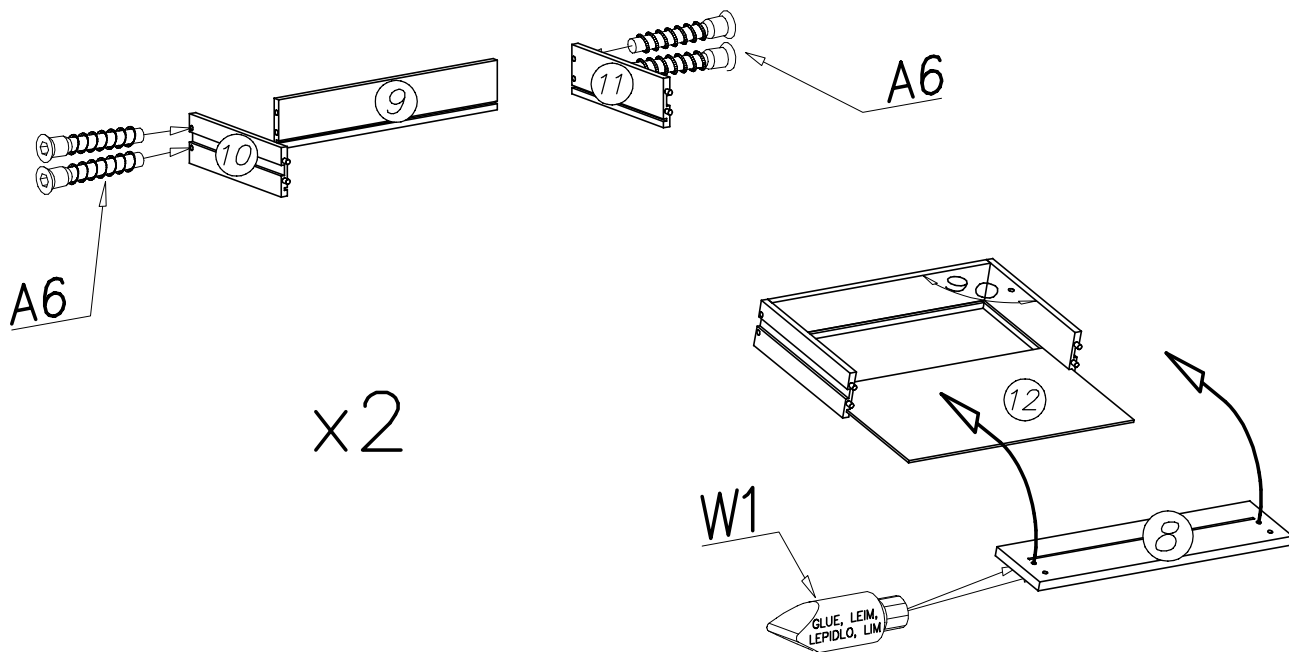
AURORA toaletka



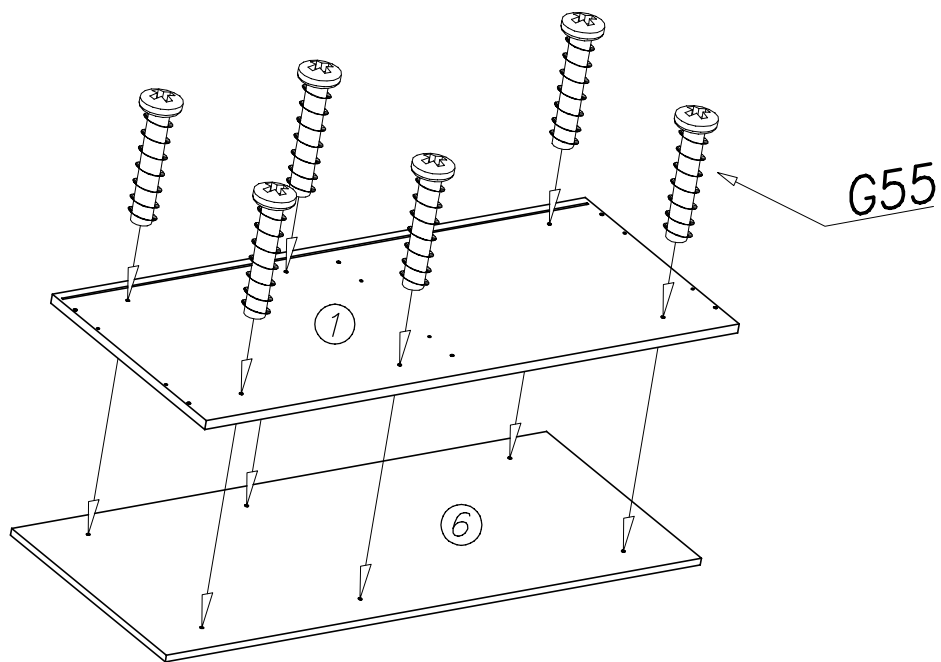
AURORA toaletka



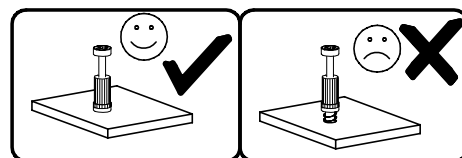
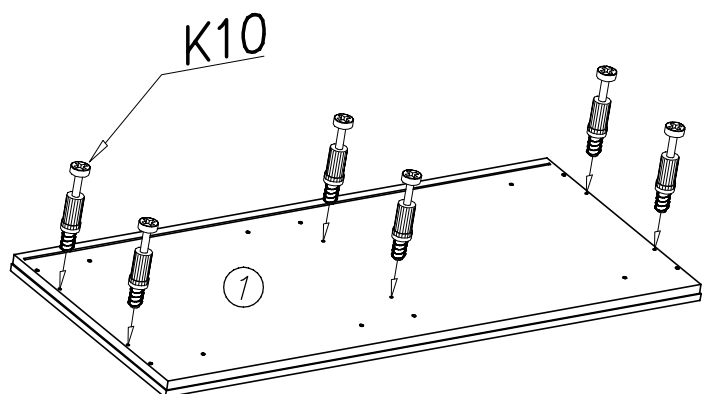
I



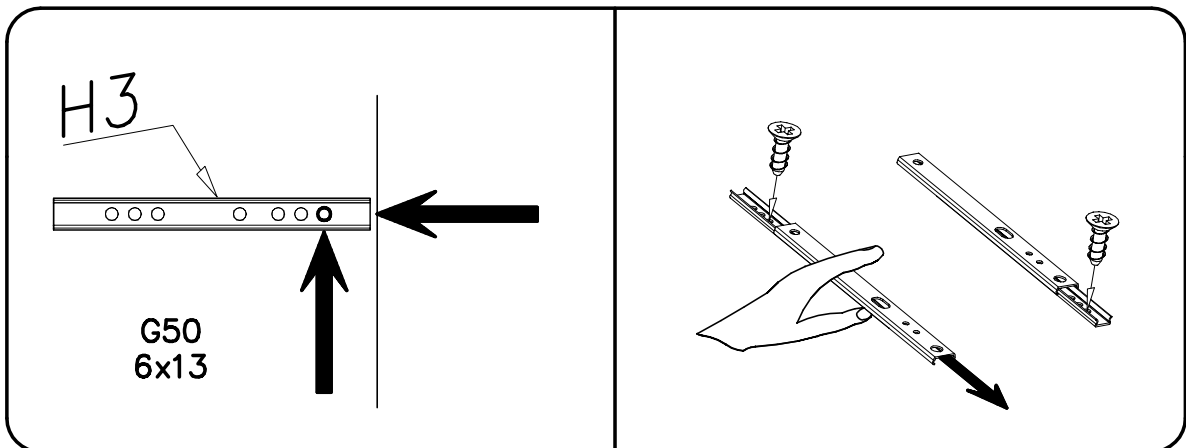
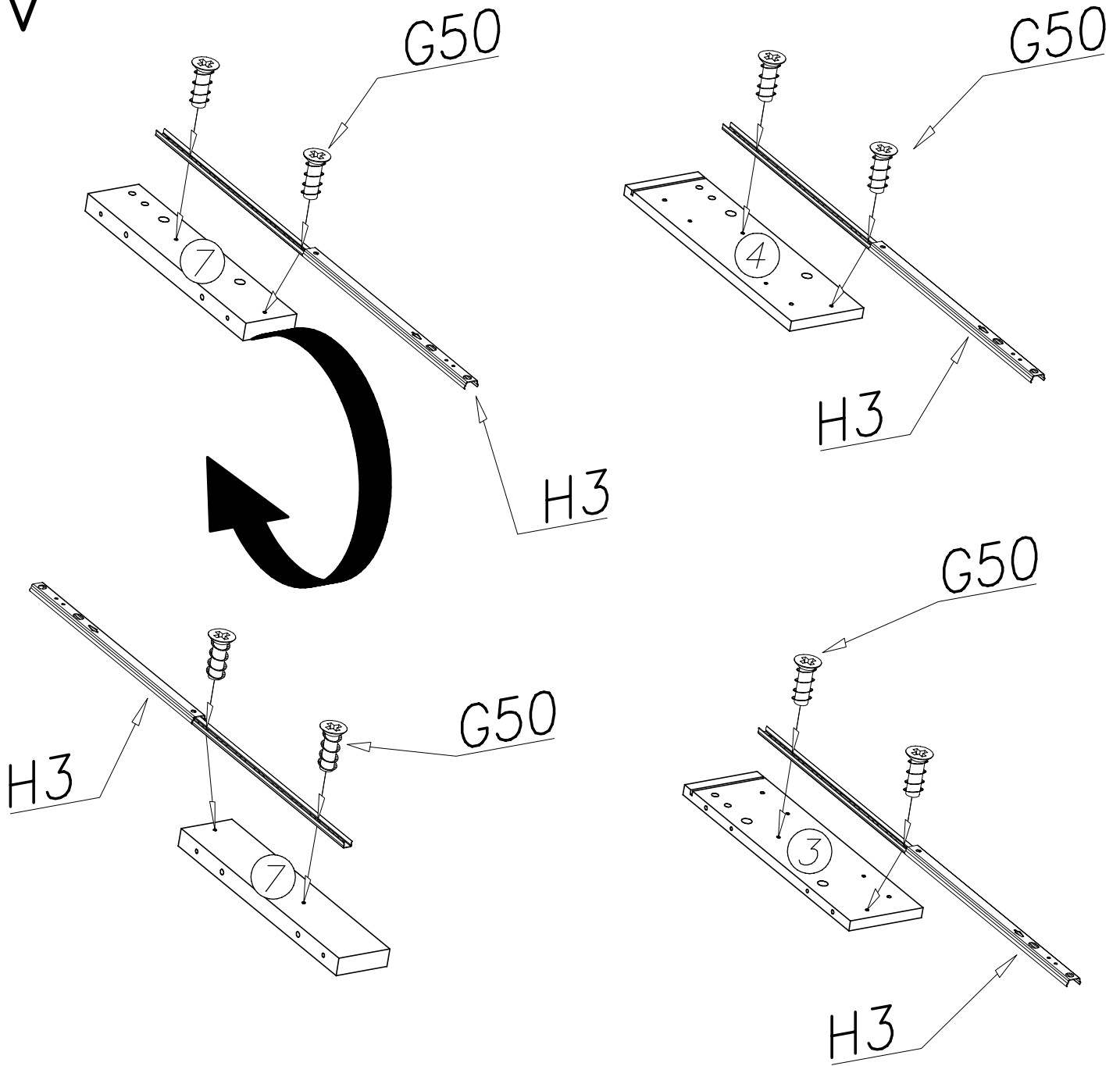
II



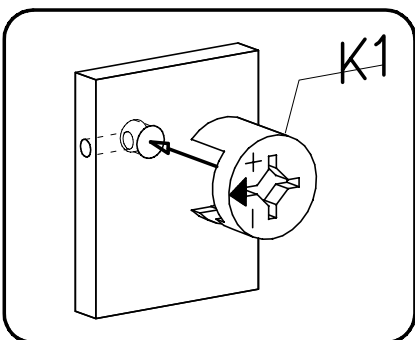
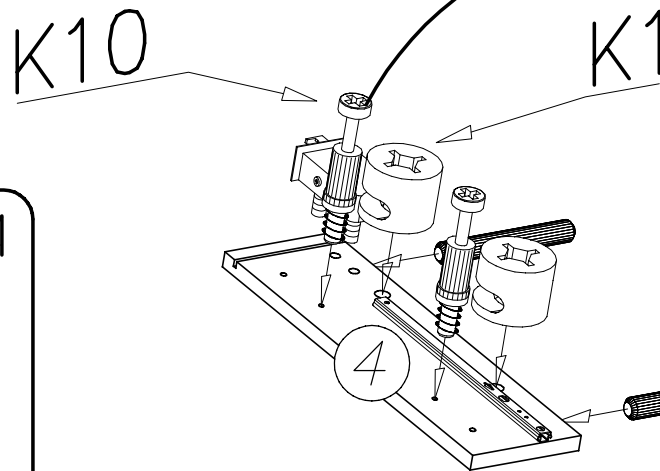
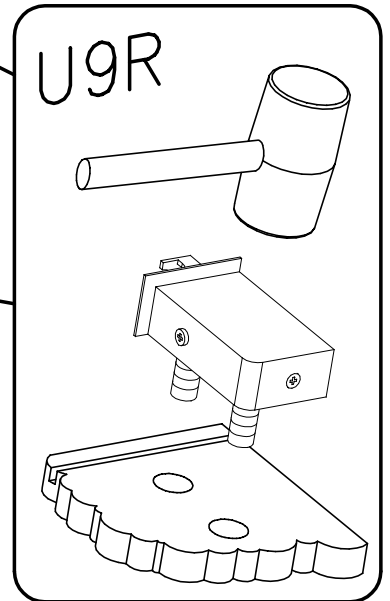
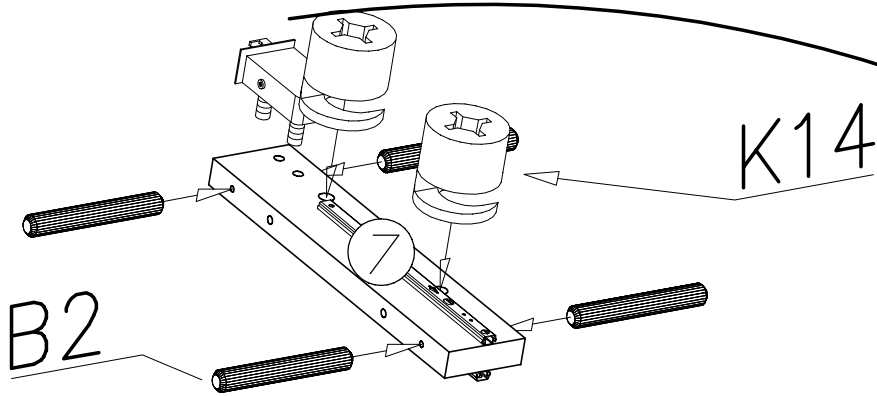
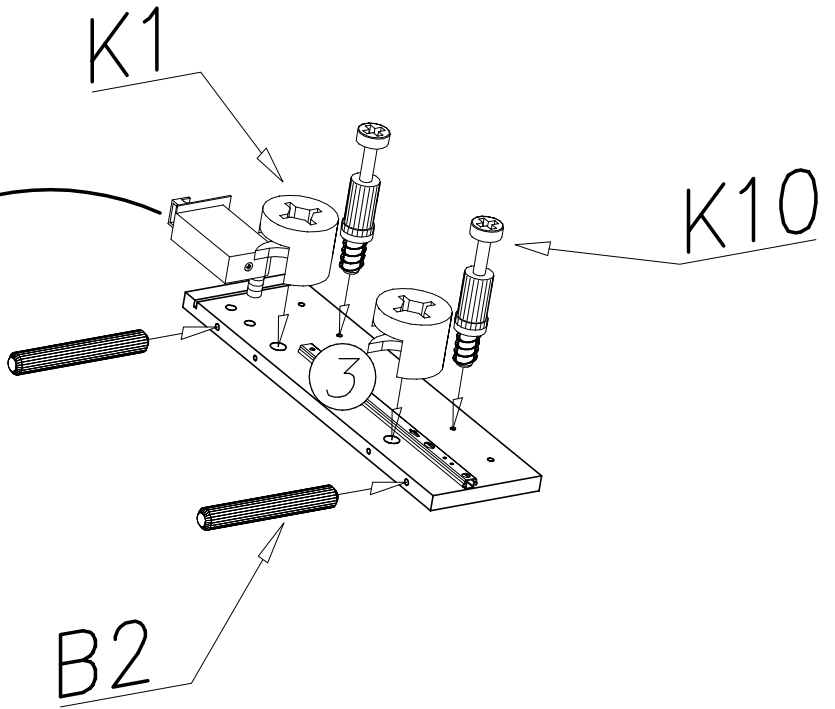
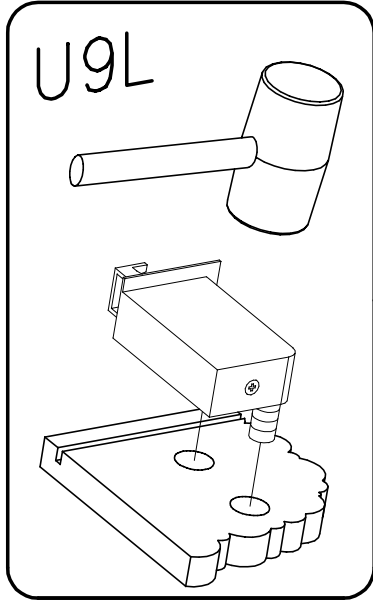
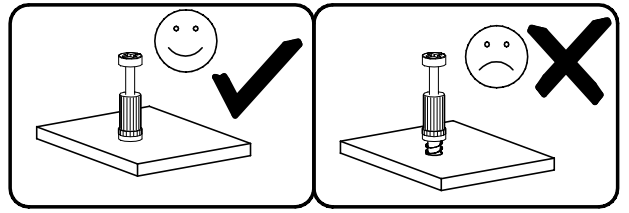
III



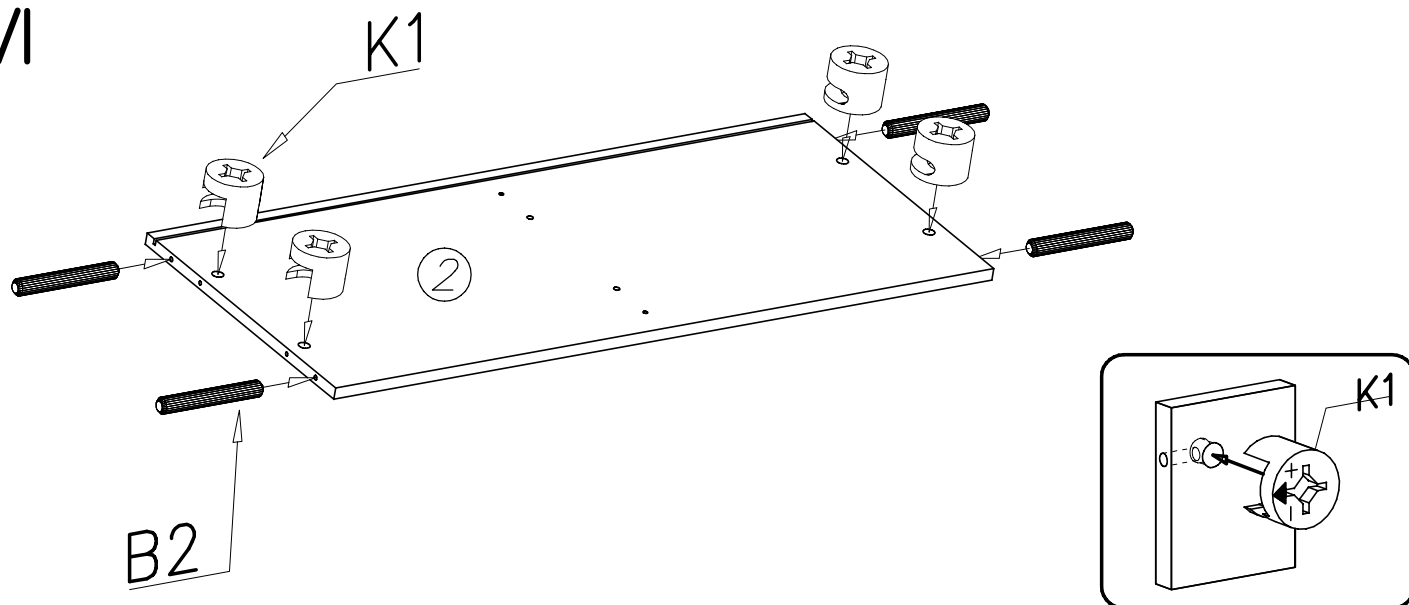
IV



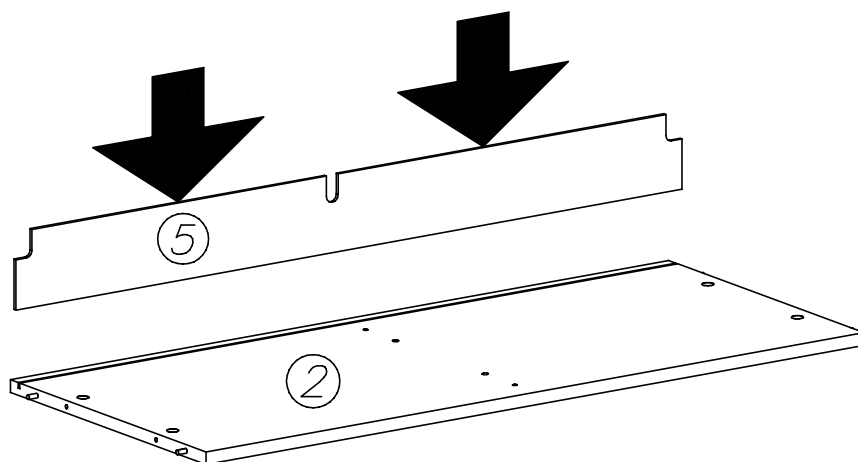
V



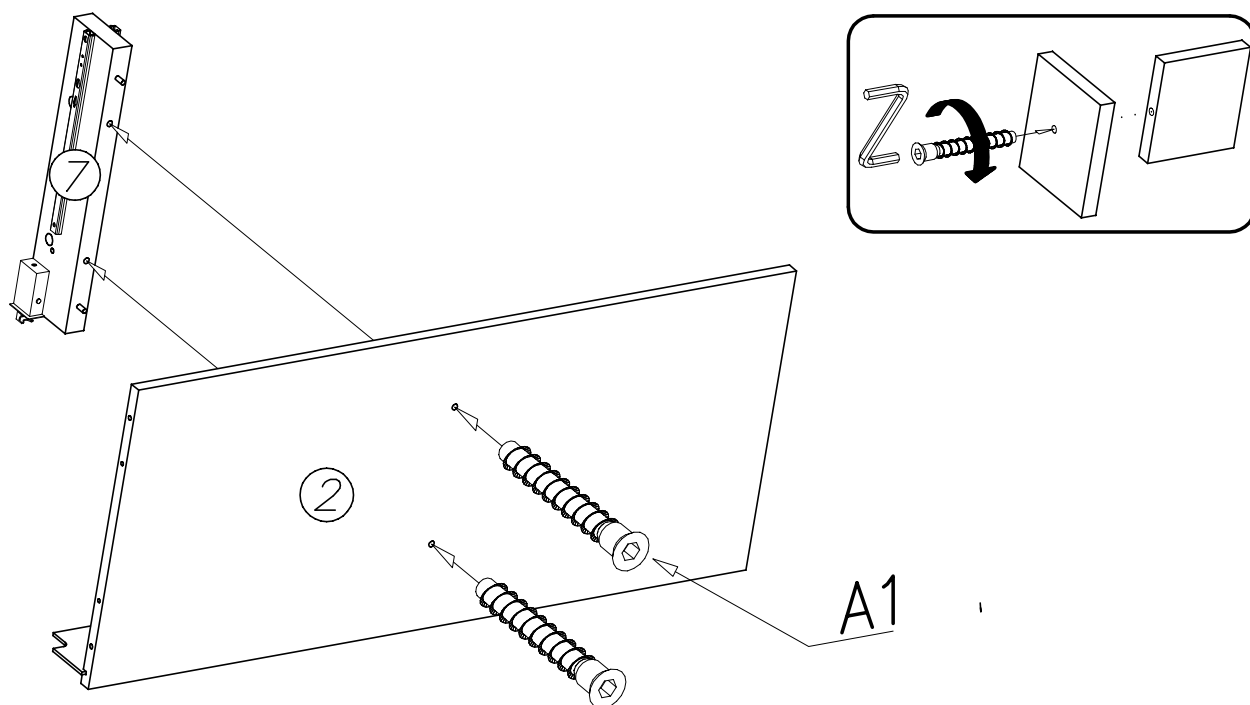
VI



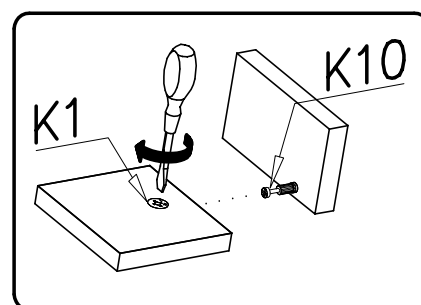
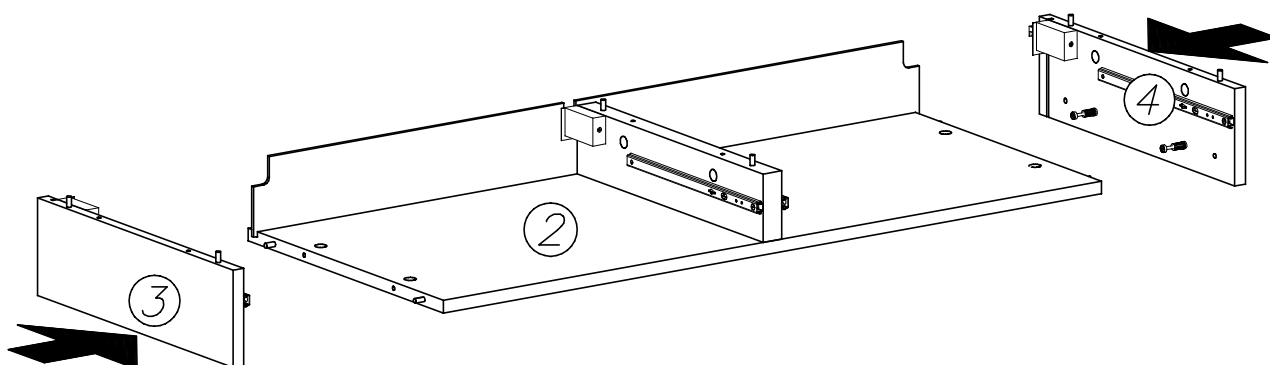
VII



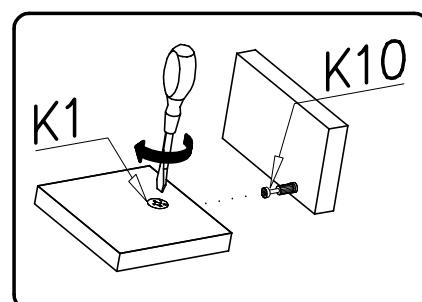
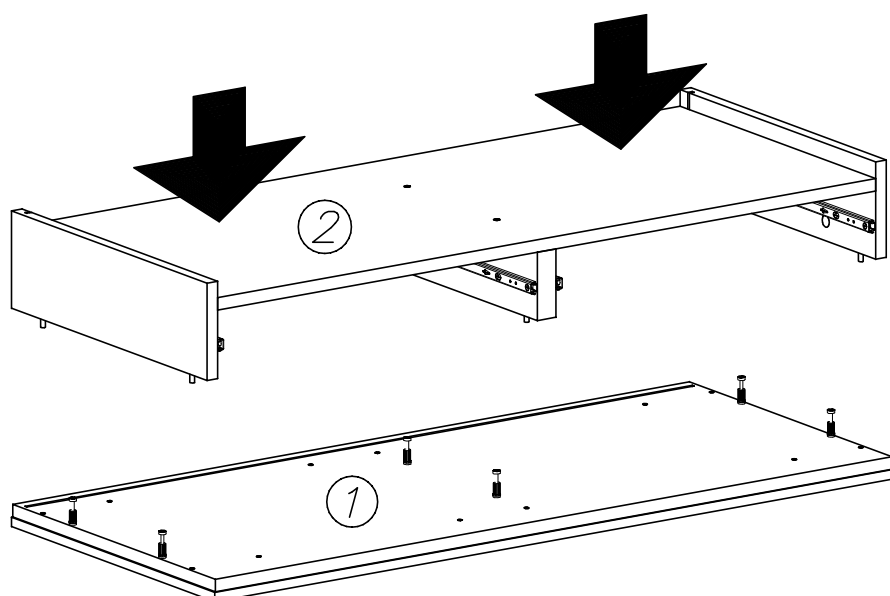
VIII



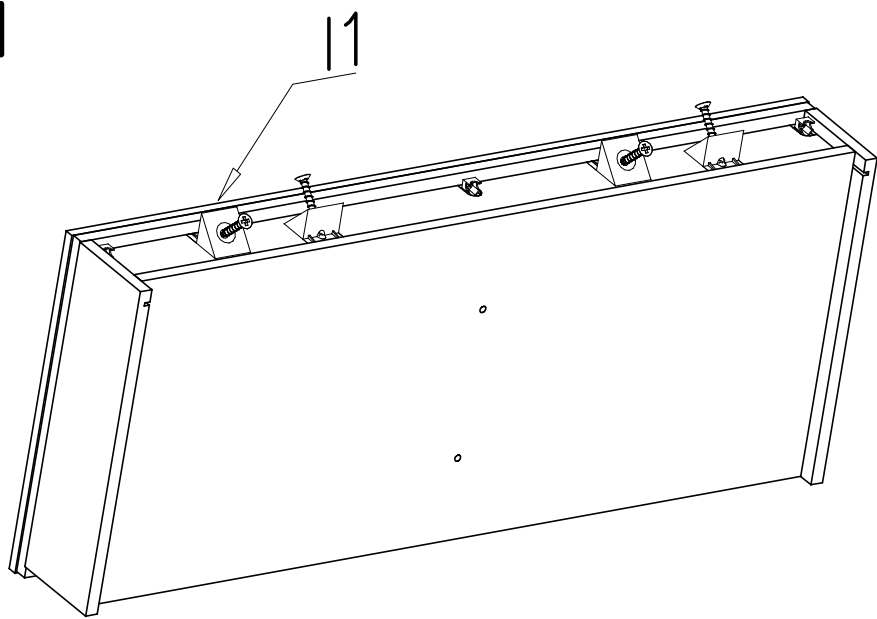
IX



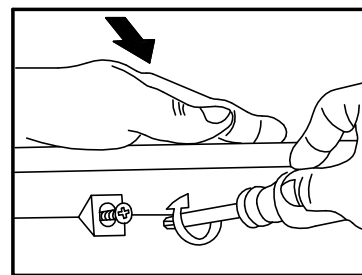
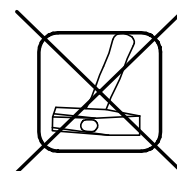
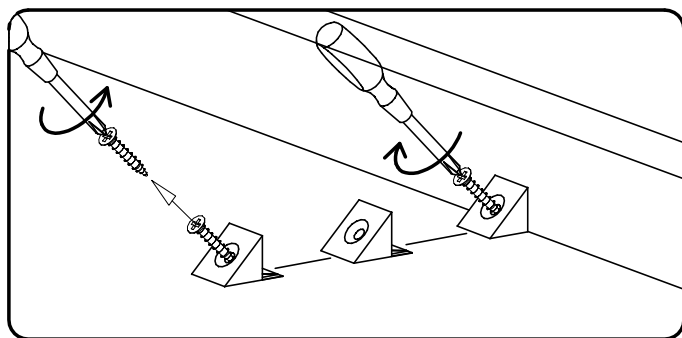
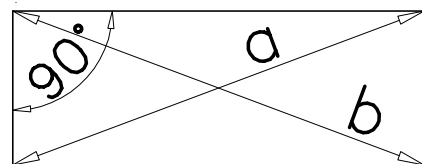
X



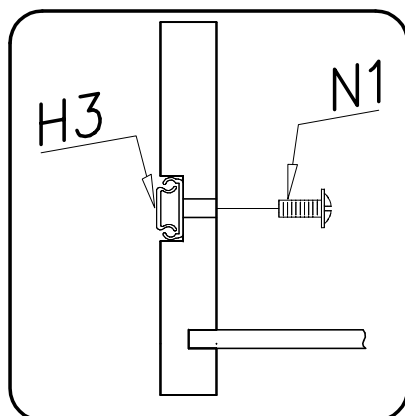
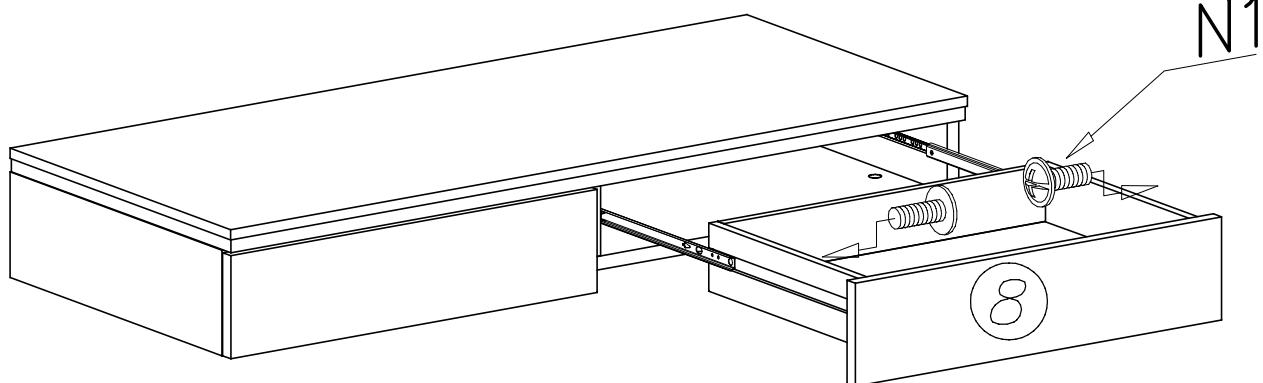
XI



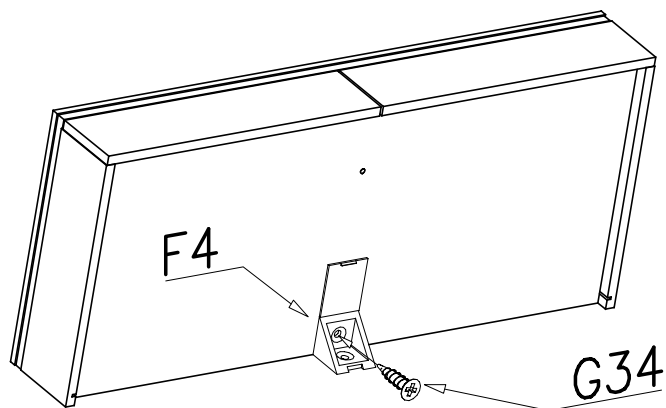
$a=b$



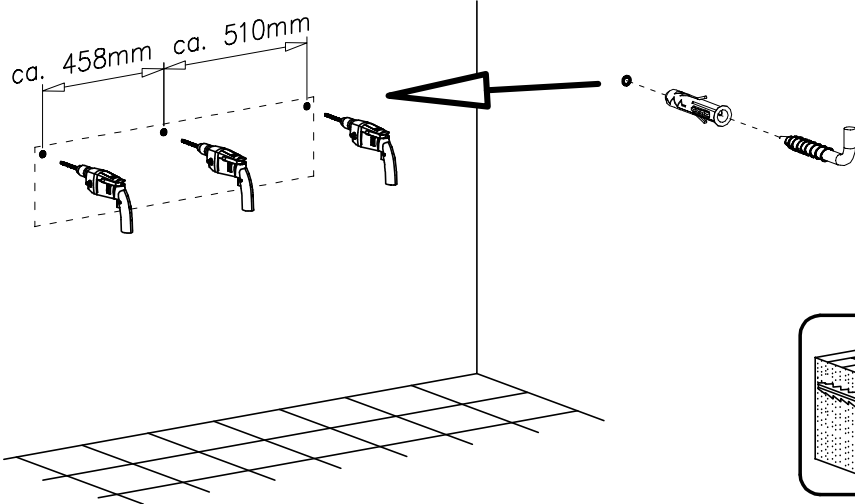
XII



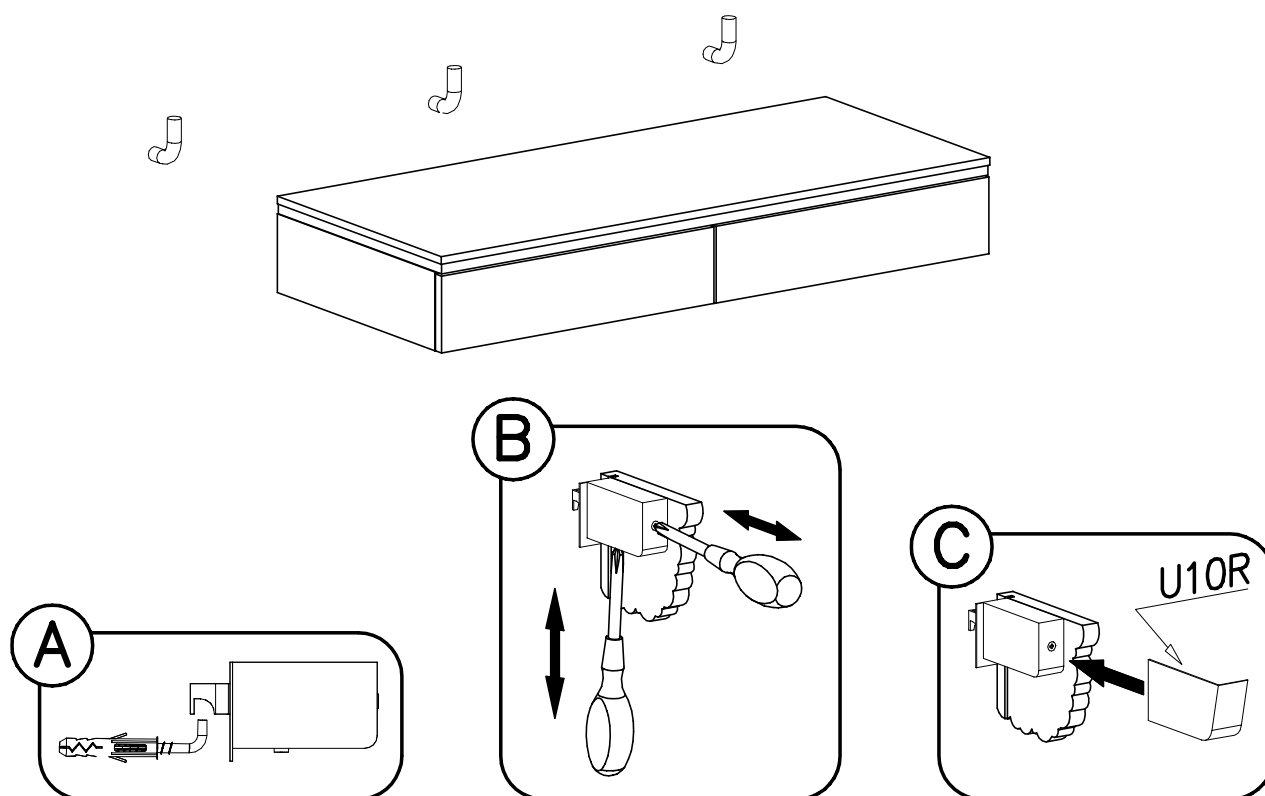
XIII



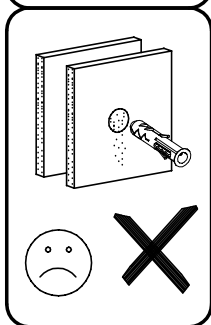
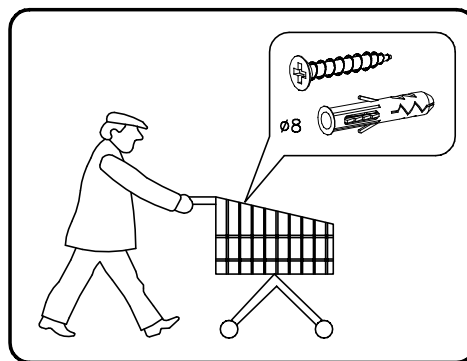
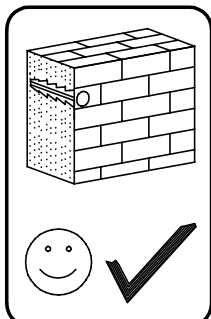
XIV



XV

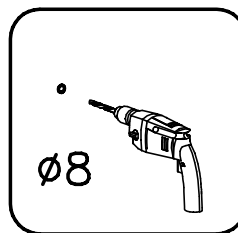
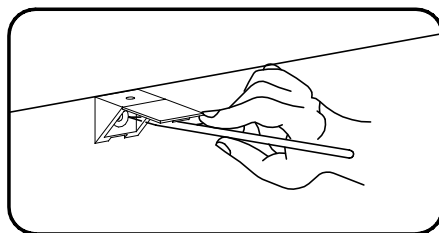


XVI



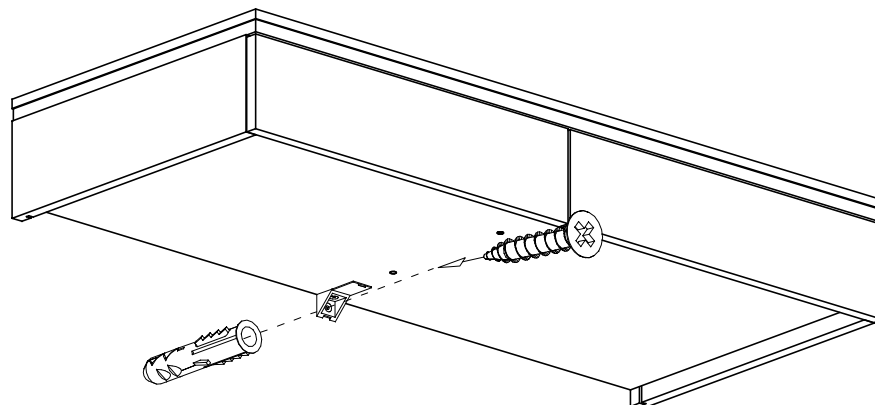
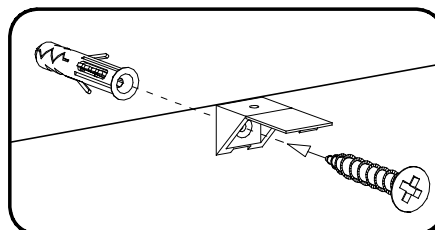
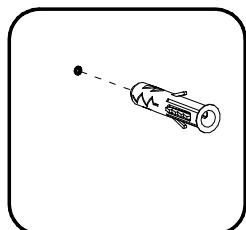
1

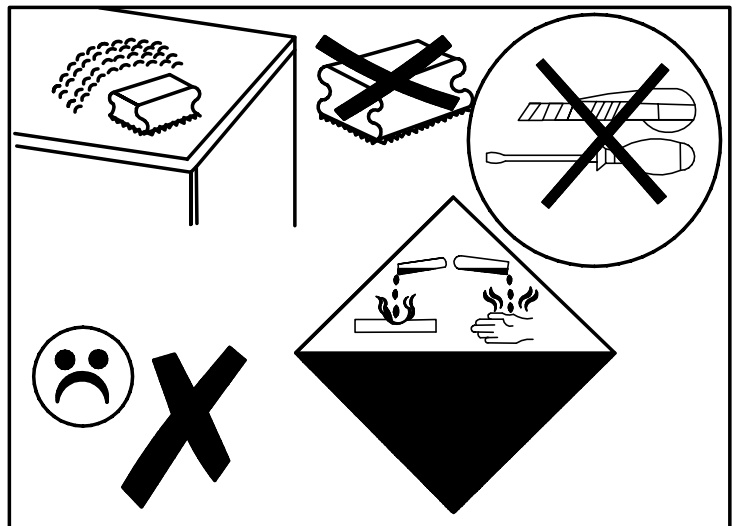
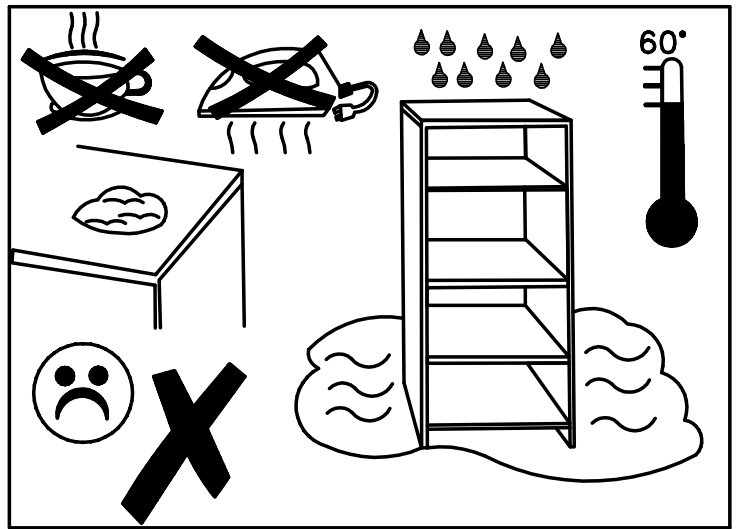
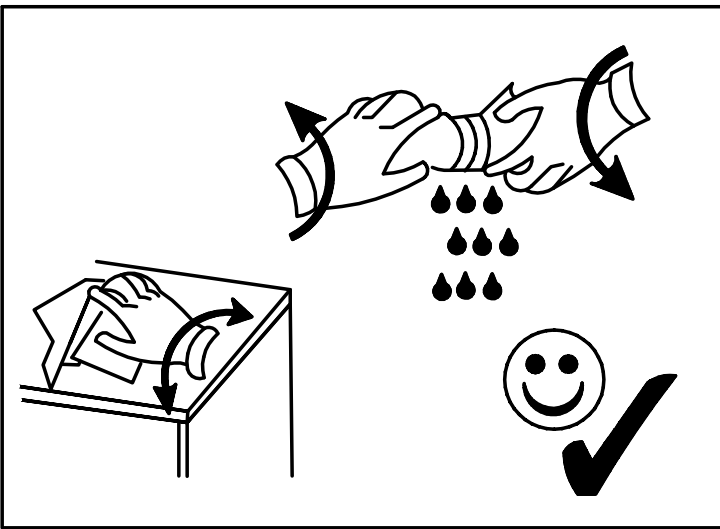
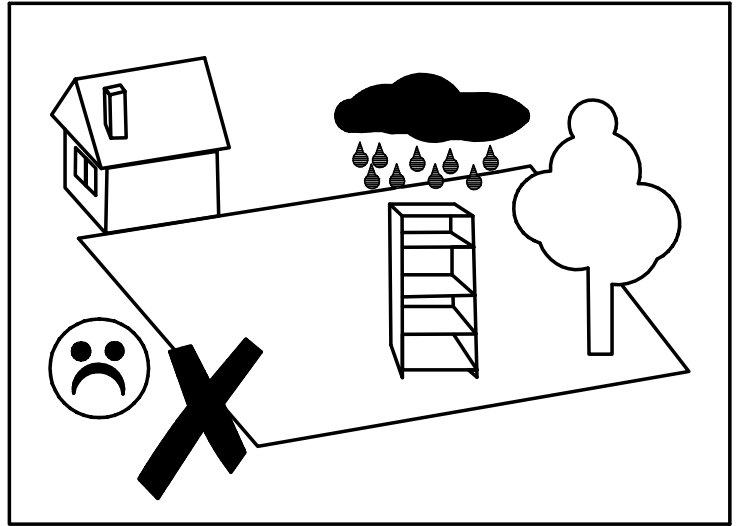
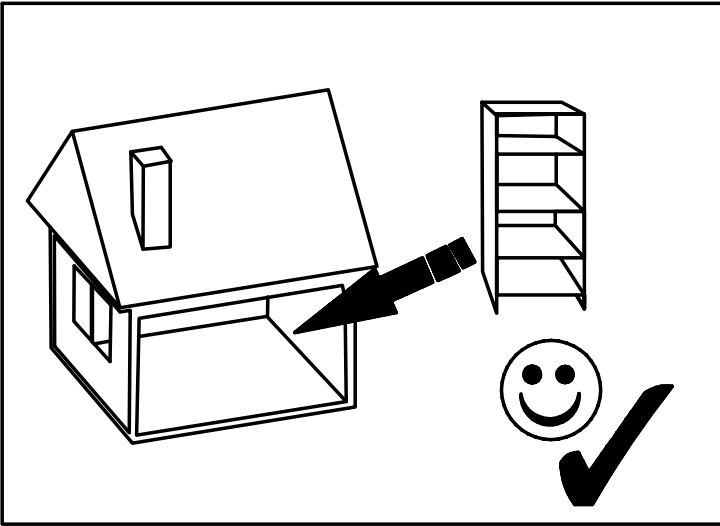
2

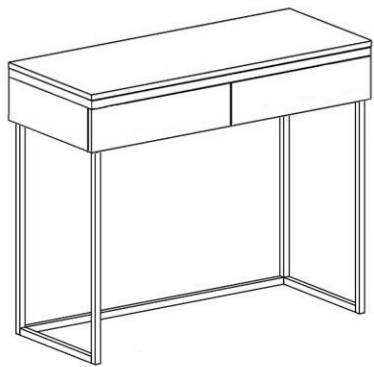


3

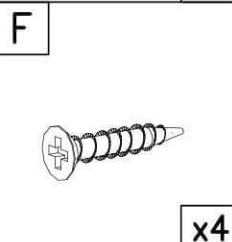
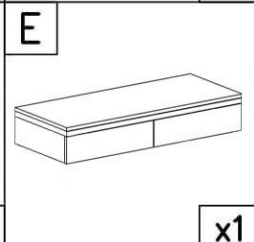
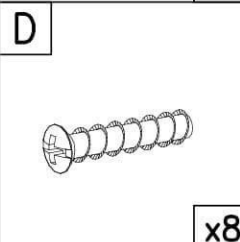
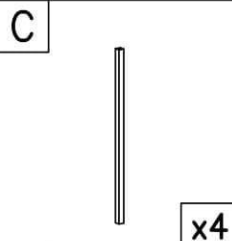
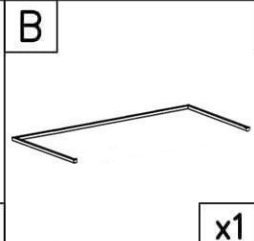
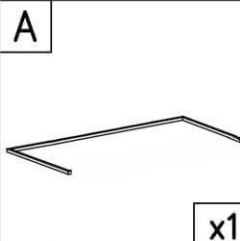
4



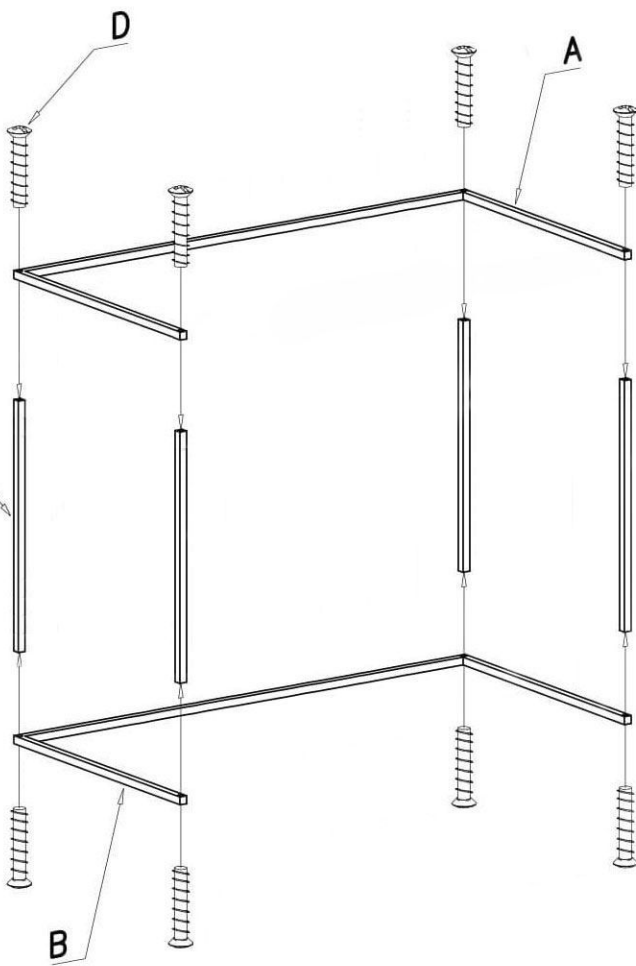




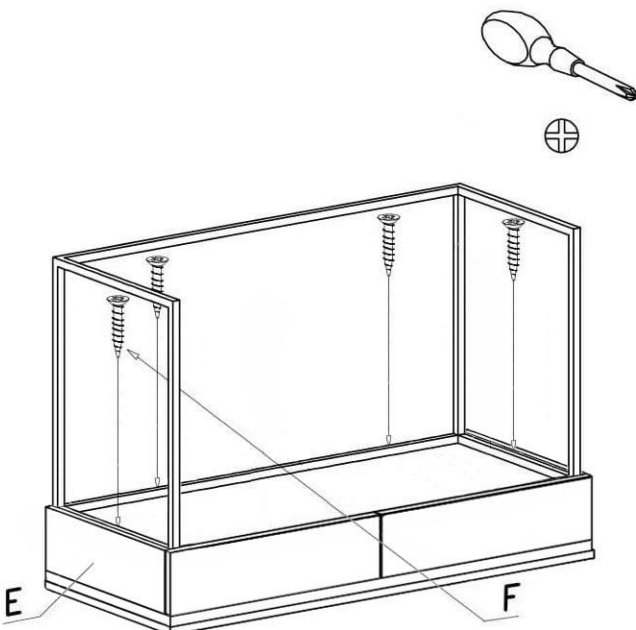
1



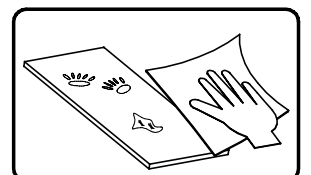
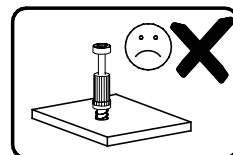
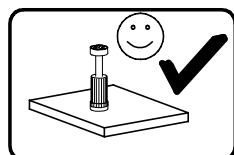
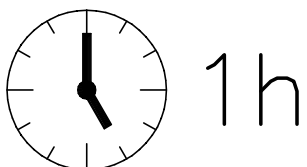
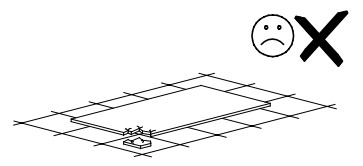
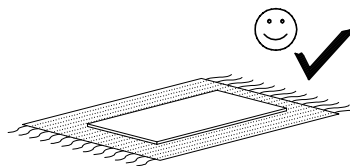
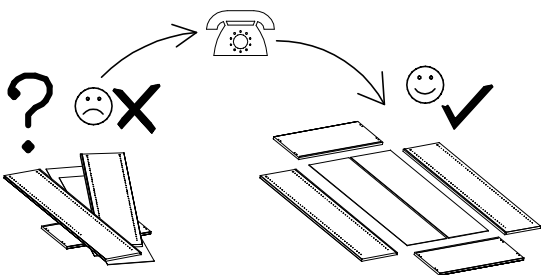
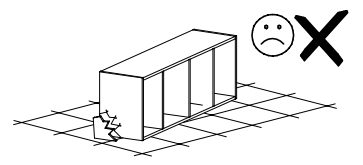
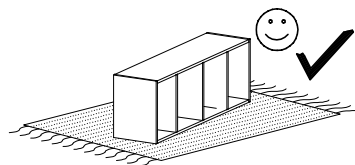
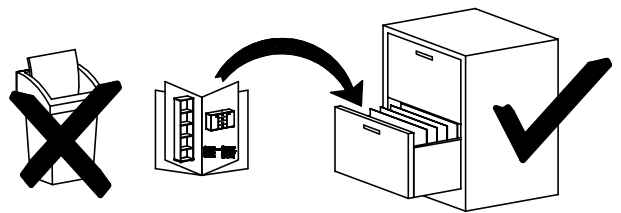
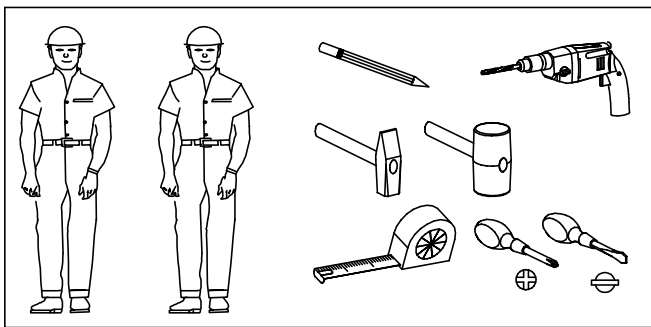
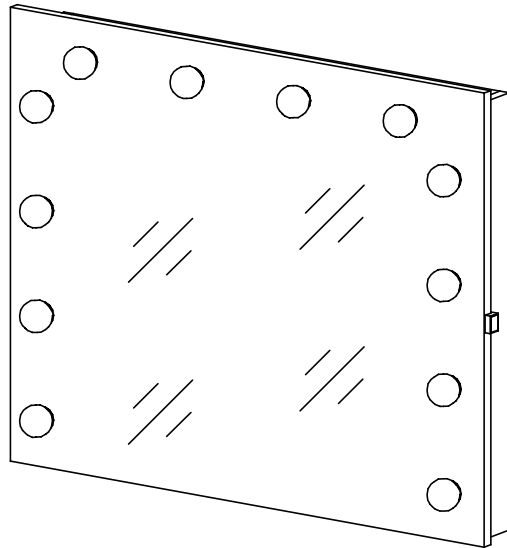
C



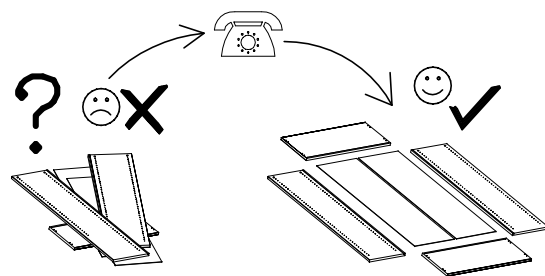
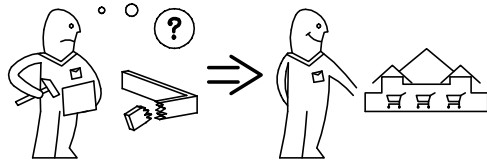
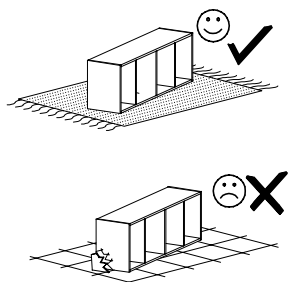
2



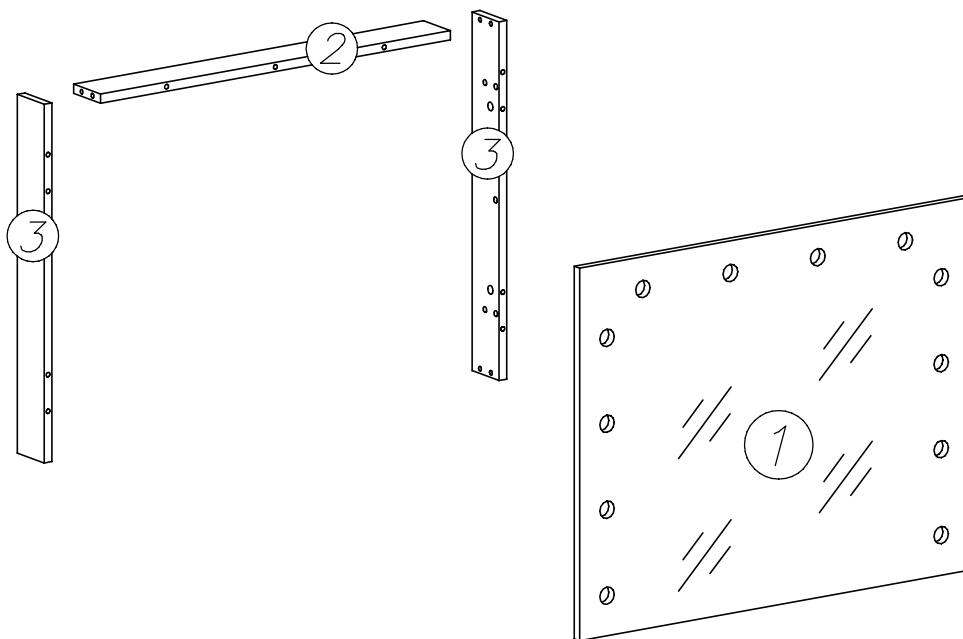
ESCADO ELITE



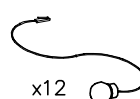
ESCADO ELITE



nr	L[mm]	B[mm]	T[mm]	Menge	Colli
1	650	800	20	1	1/1
2	720	79	16	1	1/1
3	626	79	16	2	1/1

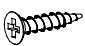


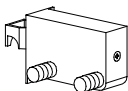
W20

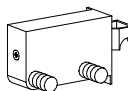


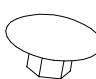
x12


x...(1)

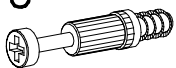
G34

 3,5x16 x...(1)


U9L

 x...(1)

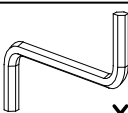
U9R

 x...(1)

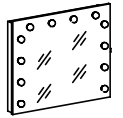
I7

 Ø18 x...(5)

K1

 Ø15x12 x...(5)

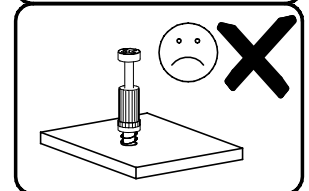
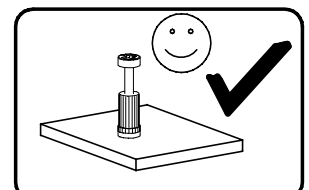
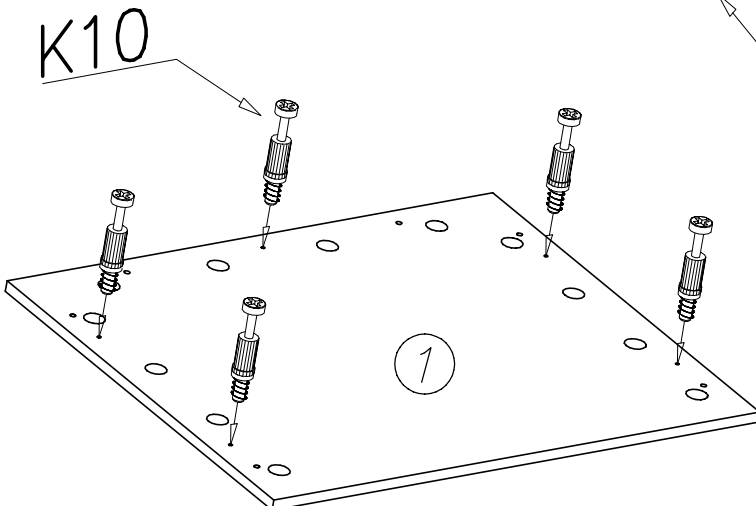
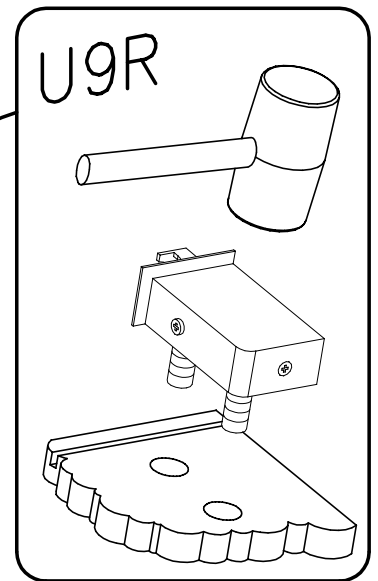
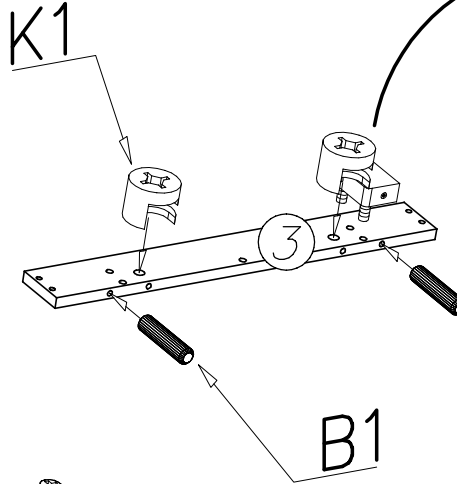
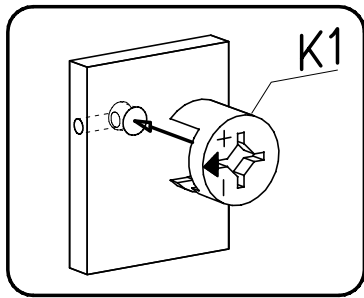
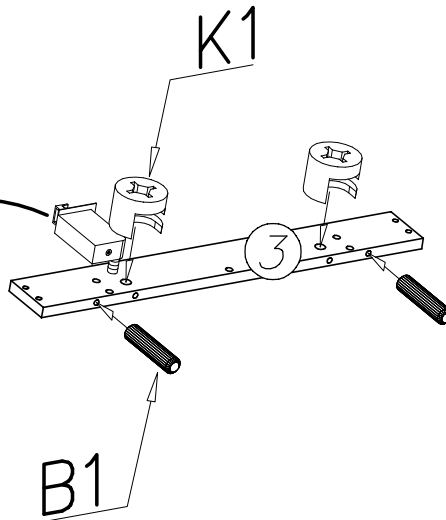
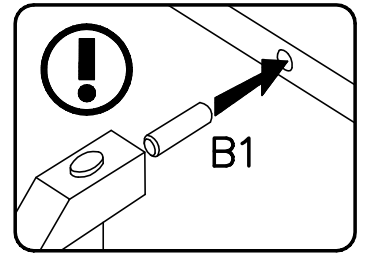
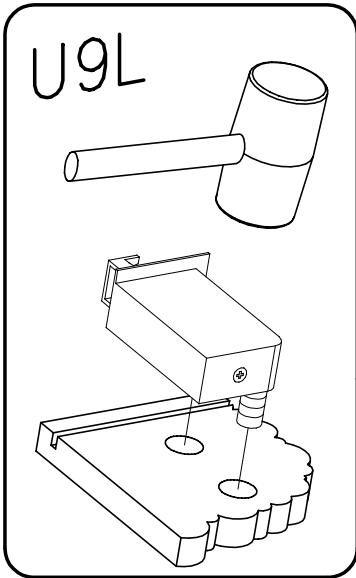
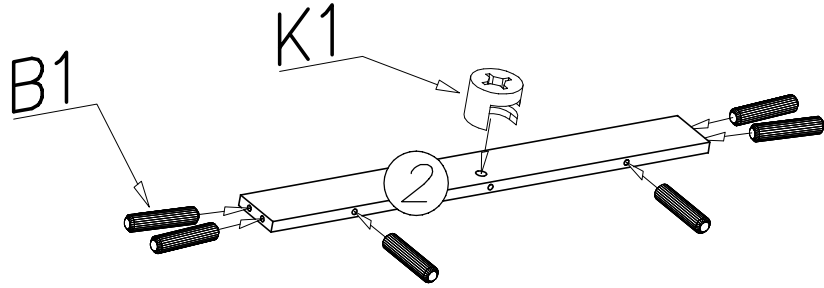
K10

 x...(5)

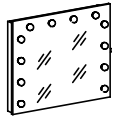
B1

 Ø8x35 x...(10)

W2

 x...(1)

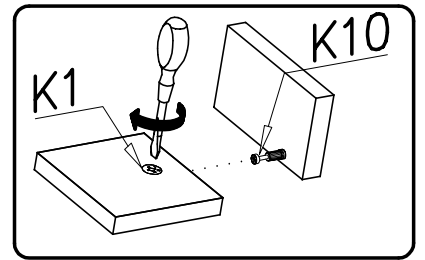
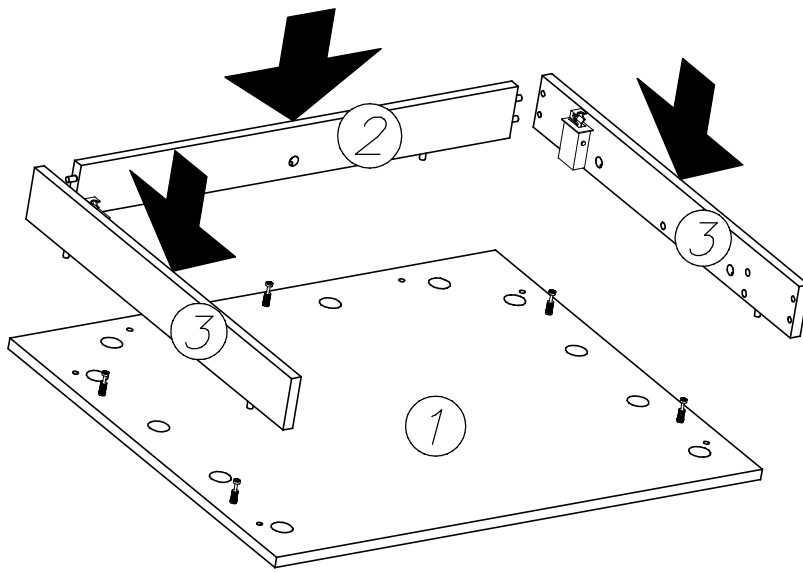


I

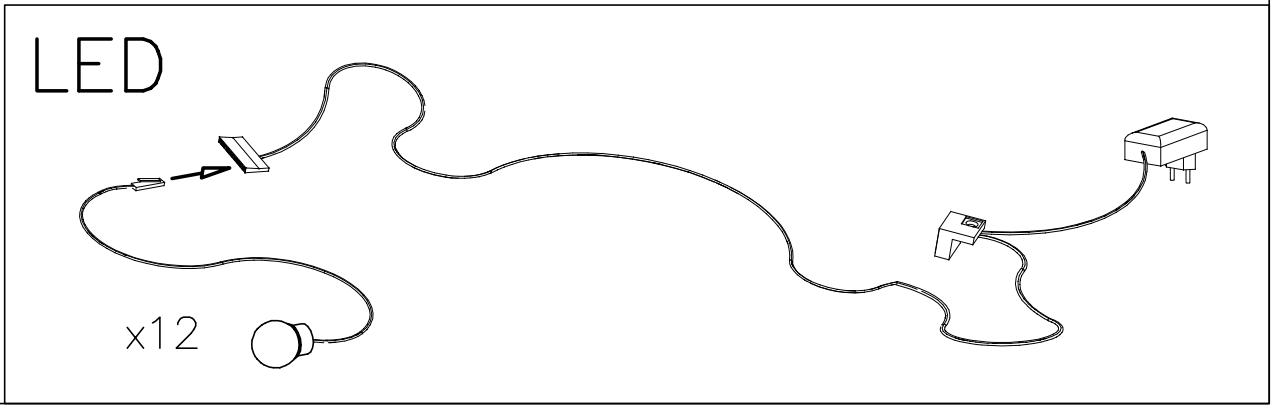
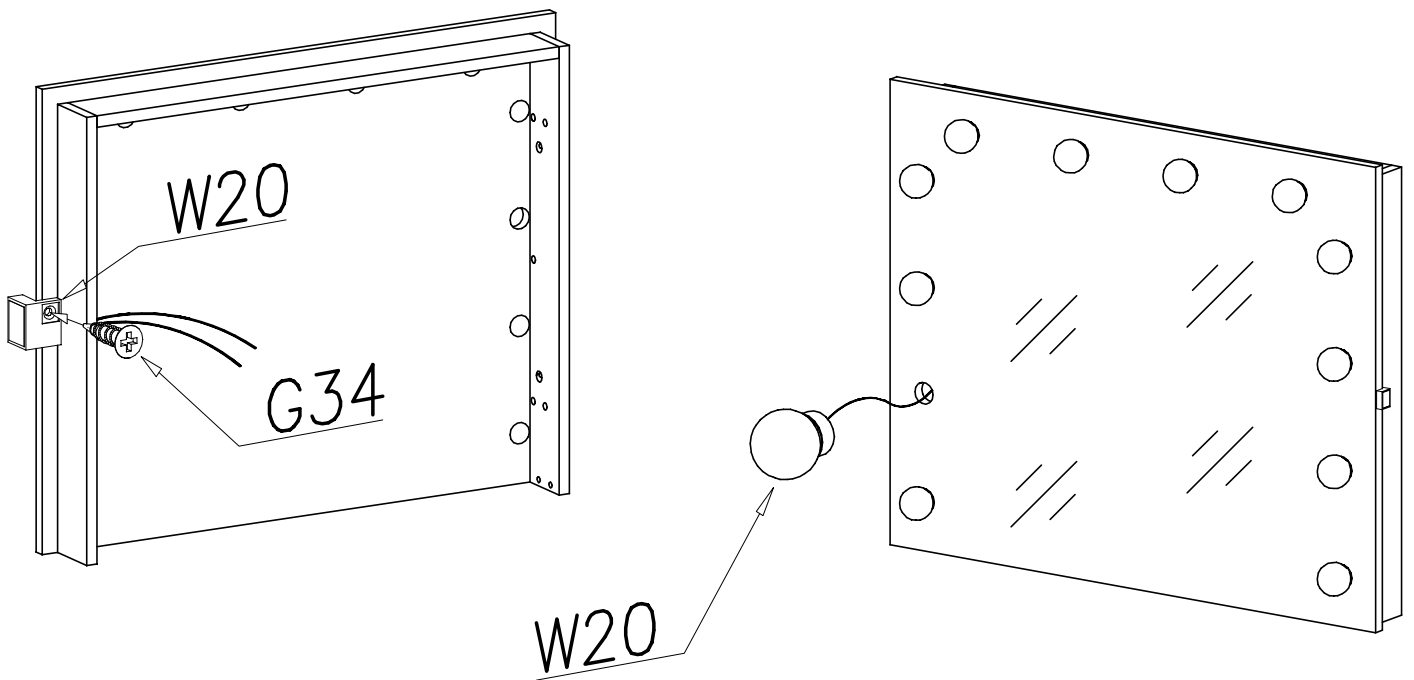


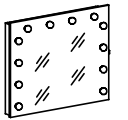


II

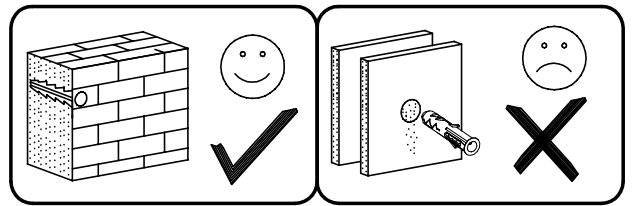
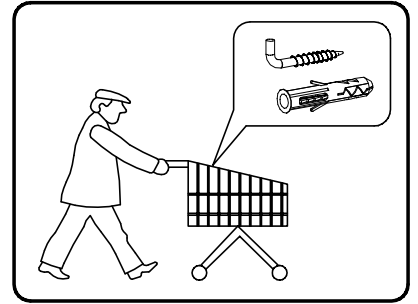
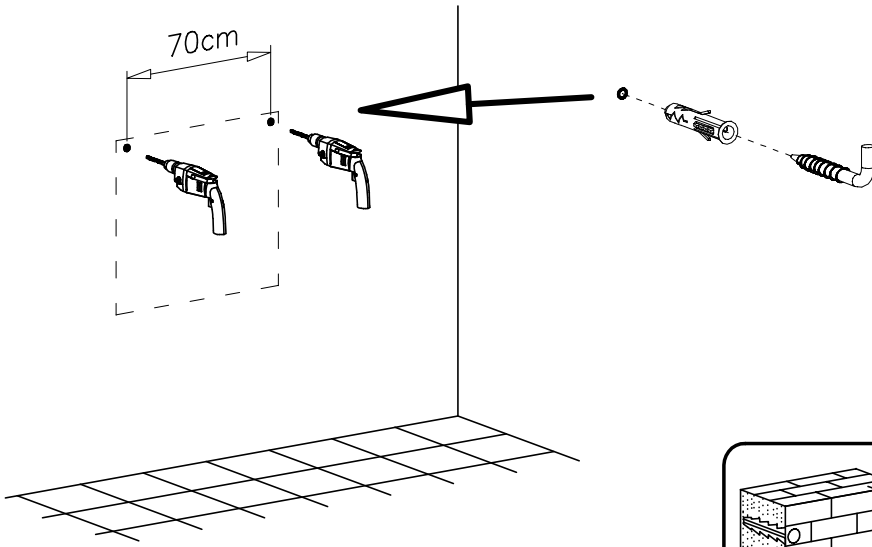


III





IV



V

