

BUILT-IN OVEN

60 cm

Electrical

Elektrisch



AB120-33 / AB140-33

USER MANUAL **GB**
BEDIENUNGSANLEITUNG **DE**

respekta®

Dear Customer,

Thank you for relying on this product. We aim to allow you to optimally and efficiently use this environment-friendly product produced in our modern facilities under precise conditions with respect to sense of quality in total.

We advise you to read these operating manual thoroughly before using the oven and keep it permanently so that the features of the built-in oven you have purchased will stay the same as the first day for a long time.

Note: This operating manual is prepared for multiple models. Your appliance may not feature some functions specified in the manual.

The product images are schematic.

This product has been produced in modern environment-friendly facilities without adversely affecting nature.

Products marked with (*) are optional.


"Complies with WEEE Regulation"

Contents

Important warnings.....	4
Electrical connection.....	12
Introducing the appliance.....	13
Accessories.....	14
Technical specifications.....	15
Installation of appliance.....	15
Control panel.....	21
Using the oven.....	23
Using the grill.....	24
Using the chicken roasting.....	24
Program types.....	25
Cooking recommendations.....	26
Cooking table.....	27
Baking with pizza stone.....	28
Maintenance and cleaning.....	29
Steam cleaning.....	29
Cleaning and mounting oven door.....	30
Cleaning oven glass.....	31
Catalytic panel.....	32
Rack positions.....	32
Replacing oven lamp.....	33
Troubleshooting.....	34
Handling rules.....	36
Recommendations for energy saving.....	36
Environmentally-friendly disposal.....	37
Package information.....	37

IMPORTANT WARNINGS

1. Installation and repair should always be performed by **“AUTHORIZED SERVICE”**. Manufacturer shall not be held responsible for operations performed by unauthorized persons.
2. Please read this operating instructions carefully. Only by this way you can use the appliance safely and in a correct manner.
3. The oven should be used according to operating instructions.
4. Keep children below the age of 8 and pets away when operating.
5. **The accessible parts may be hot during use. Young children must be kept away.**
6. **WARNING: Danger of fire: do not store items on the cooking surfaces.**
7. **WARNING: During use the appliance becomes hot. Care should be taken to avoid touching heating elements inside the oven.**
8. Setting conditions of this device are specified on the label. (Or on the data plate)
9. The accessible parts may be hot when the grill is used. Small children should be kept away.
10. **WARNING: This appliance is intended for cooking. It should not be used for other purposes like heating a room.**
11. To clean the appliance, do not use steam cleaners.



12. Ensure that the oven door is completely closed after putting food inside the oven.

13. NEVER try to put out the fire with water. Only shut down the device circuit and then cover the flame with a cover or a fire blanket.

14. WARNING: Children less than 8 years of age shall be kept away unless continuously supervised.

15. Touching the heating elements should be avoided.

16. CAUTION: Cooking process shall be supervised. Cooking process shall always be supervised.

17. This appliance can be used by children aged from 8 years and above and persons with reduced physical, sensory or mental capabilities or lack of experience and knowledge if they have been given supervision or instruction concerning use of the appliance in a safe way and understand the hazards involved. Children shall not play with the appliance. Cleaning and user maintenance shall not be made by children without supervision.

18. This device has been designed for household use only.

19. Children must not play with the appliance. Cleaning or user maintenance of the appliance shall not be performed by children unless they are older than 8 years and supervised by adults.

20. Keep the appliance and its power cord away from children less than 8 years old.

21. Put curtains, tulle, paper or any flammable (ignitable) material away from the appliance before starting to use the appliance. Do not put ignitable or flammable materials on or in the appliance.

22. Keep the ventilation channels open.

23. The appliance is not suitable for use with an external timer or a separate remote control system.

24. Do not heat closed cans and glass jars. The pressure may lead jars to explode.

25. Oven handle is not a towel drier. Do not hang towels, etc. on the oven handle.

26. Do not place the oven trays, plates or aluminium foils directly on the oven base. The accumulated heat may damage the base of the oven.

27. While placing food to or removing food from the oven, etc., always use heat resistant oven gloves.

28. Do not use the product in states like medicated and/or under influence of alcohol which may affect your ability of judgement.

29. Be careful when using alcohol in your foods. Alcohol will evaporate at high temperatures and may catch fire to cause a fire if it comes in contact with hot surfaces.

30. After each use, check if the unit is turned off.

31. If the appliance is faulty or has a visible damage, do not operate the appliance.

32. Do not touch the plug with wet hands. Do not pull the cord to plug off, always hold the plug.

33. Do not use the appliance with its front door glass removed or broken.

34. Place the baking paper together with the food into a pre-heated oven by putting it inside a cooker or on an oven accessory. (tray, wire grill etc.)

35. Do not put objects that children may reach on the appliance.

36. It is important to place the wire grill and tray properly on the wire racks and/or correctly place the tray on the rack. Place the grill or tray between two rails and make sure it is balanced before putting food on it.

37. Against the risk of touching the oven heater elements, remove excess parts of the baking paper that hang over from the accessory or container.

38. Never use it at higher oven temperatures than the maximum usage temperature indicated on your baking paper. Do not place the baking paper on the base of the oven. Against the risk of touching the oven heater elements, remove excess parts of the baking paper that hang over from the accessory or container.

39. When the door is open, do not place any heavy object on the door or allow children to sit on it. You may cause the oven to overturn or the door hinges to be damaged.

40. The packaging materials are dangerous for children. Keep packaging materials away from the reach of children.

41. Do not use abrasive cleaners or sharp metal scrapers to clean the glass as the scratches that may occur on the surface of the door glass may cause the glass to break.

42. User should not carry the oven alone.

43. During usage, the internal and external surfaces of the oven get hot. As you open the oven door, step back to avoid the hot vapour coming out from the interior. There is risk of burning.

44. Do not place heavy objects when oven door is open, risk of toppling.

45. Oven supply can be disconnected during any construction work at home. After completing the work, re-connecting the oven shall be done by authorized service.

46. User should not dislocate the resistance during cleaning. It may cause an electric shock.

47. To prevent overheating, the appliance should not be installed behind of a decorative cover.

48. Turn off the appliance before removing the safeguards. After cleaning, install the safeguards according to instructions.

49. Cable fixing point shall be protected.

50. Please don't cook the food directly on the tray / grid. Please put the food into or on appropriate tools before putting them in the oven.

Electrical Safety

1. Plug the appliance in a grounded socket protected by a fuse conforming to the values specified in the technical specifications chart.
2. Have an authorized electrician set grounding equipment. Our company shall not be responsible for the damages that shall be incurred due to using the product without grounding according to local regulations.
3. The circuit breaker switches of the oven shall be placed so that end user can reach them when the oven is installed.
4. The power supply cord (the cord with plug) shall not contact the hot parts of the appliance.
5. If the power supply cord (the cord with plug) is damaged, this cord shall be replaced by the manufacturer or its service agent or an equally qualified personnel to prevent a hazardous situation.
6. Never wash the appliance by spraying or pouring water on it. There is a risk of electrocution.
7. **WARNING: To avoid electric shock, ensure that the device circuit is open before changing the lamp.**
8. **WARNING: Cut off all supply circuit connections before accessing the terminals.**
9. Do not use cut or damaged cords or extension cords other than the original cord.
10. Make sure that there is no liquid or humidity in the outlet where the product plug is installed.

11. The rear surface of the oven also heats up when the oven is operated. Electrical connections shall not touch the rear surface, otherwise the connections may be damaged.

12. Do not tighten the connecting cables to the oven door and do not run them over hot surfaces. If the cord melts, this may cause the oven to short circuit and even a fire.

13. Unplug the unit during installation, maintenance, cleaning and repair.


14. If the power supply cable is damaged, it must be replaced by its manufacturer or authorized technical service or any other personnel qualified at the same level, in order to avoid any dangerous situation.

15. Make sure the plug is inserted firmly into wall socket to avoid sparks.

16. Do not use steam cleaners for cleaning the appliance, otherwise electric shock may occur.

17. An omnipolar switch capable to disconnect power supply is required for installation. Disconnection from power supply shall be provided with a switch or an integrated fuse installed on fixed power supply according to building code.

18. Appliance is equipped with a **type “Y”** cord cable.



19. Fixed connections shall be connected to a power supply enabling omnipolar disconnection. For appliances with over voltage category below III, disconnection device shall be connected to fixed power supply according to wiring code.

Intended Use

- 1.** This product has been designed for domestic use. Commercial use is not permitted.
- 2.** This appliance may only be used for cooking purposes. It shall not be used for other purposes like heating a room.
- 3.** This appliance shall not be used to heat plates under the grill, drying clothes or towels by hanging them on the handle or for heating purposes.
- 4.** The manufacturer assumes no responsibility for any damage due to misuse or mishandling.
- 5.** Oven part of the unit may be used for thawing, roasting, frying and grilling food.
- 6.** Operational life of the product you have purchased is 10 years. This is the period for which the spare parts required for the operation of this product as defined is provided by the manufacturer.

Electrical Connection

This oven must be installed and connected to its place correctly according to manufacturer instructions and by an authorized service.

Appliance must be installed in an oven enclosure providing high ventilation.

Electrical connections of the appliance must be made only via sockets having earth system furnished in compliance with rules. Contact an authorized electrician if there is no socket complying with the earthed system at where appliance will be placed. Manufacturing company is by no means responsible for damage resulting from connection of non-earthed sockets to appliance.

Plug of your oven must be earthed; ensure that socket for the plug is earthed. Plug must be located in a place that can be accessed after installation.

Your oven has been manufactured as 220-240 V 50/60 Hz. AC power supply compliant and requires a 16 Amp fuse. If your power network is different that these indicated values, refer to an electrician or your authorized service.

When you need to replace the electrical fuse, please ensure that electrical connection is made as follows:

- Phase (to live terminal) brown cable
- Blue cable to neutral terminal
- Yellow-green cable to earth terminal

Oven disconnecting switches must be in an accessible place for final user while oven is in its place.

Power supply cable (plug in cable) mustn't touch hot parts of the appliance.

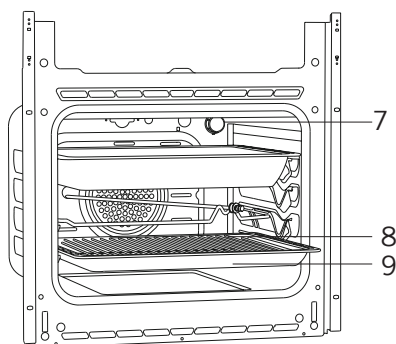
If supply cord (plug in cable) is damaged, this cord must be replaced by the importer or its service agent or an equally competent personnel to prevent a hazardous situation.

INTRODUCING THE APPLIANCE



- 1. Control panel
- 2. Deep tray *
- 3. Roast chicken skewer *

- 4. In tray wire grill
- 5. Standard tray
- 6. Oven door



- 7. Lamp
- 8. In tray wire grill
- 9. Standard tray

Accessories (optional)

	<p>Deep tray *</p> <p>Used for pastry, big roasts, watery foods. It can also be used as oil collecting container if you roast directly on grill with cake, frozen foods and meat dishes.</p>
	<p>Tray / Glass tray *</p> <p>Used for pastry (cookie, biscuit etc.), frozen foods.</p>
	<p>Circular tray *</p> <p>Used for pastry frozen foods.</p>
	<p>Drying tray *</p> <p>It is used for foods that want to be dried.</p>
	<p>Wire grill</p> <p>Used for roasting or placing foods to be baked, roasted and frozen into desired rack.</p>
	<p>Telescopic rail *</p> <p>Trays and wire racks can be removed and installed easily thanks to telescopic rails.</p>
	<p>In tray wire grill *</p> <p>Foods to stick while cooking such as steak are placed on in tray grill. Thus contact of food with tray and sticking are prevented.</p>
	<p>Pizza stone and peel *</p> <p>They are used for baking pastries such as pizza, bread, pancake and removing baked food from the oven.</p>
	<p>Tray handle *</p> <p>It is used to hold hot trays.</p>

Technical Specifications

Specifications	60 cm Built-in oven (MFA1-6.....)			
Lamp power	15-25 W / G9			
Thermostat	40-240 / Max °C			
Lower heater	1200 W			
Upper heater	1000 W			
Turbo heater	1800 W			
Grill heater	Small grill	1000 W	Big grill	2000 W
Supply voltage	220V-240 V 50/60 Hz.			

Specifications	60 cm Built-in oven (MFA1-8.....)			
Lamp power	15-25 W / G9			
Thermostat	40-240 / Max °C			
Lower heater	1200 W			
Upper heater	1200 W			
Turbo heater	1800 W			
Grill heater	Small grill	1200 W	Big grill	2400 W
Supply voltage	220V-240 V 50/60 Hz.			

Technical specifications can be changed without prior notice to improve product quality.

The values provided with the appliance or its accompanying documents are laboratory readings in accordance with the respective standards. These values may differ depending on the use and ambient conditions.

Figures in this guide are schematic and may not be exactly match your product.

INSTALLATION OF APPLIANCE

Ensure that electrical installation is suitable for operationalising the appliance. If not, call an electrician and plumber to make necessary arrangements. Manufacturing firm can't be hold responsible for damages to arise due to operations by unauthorized people and product warranty becomes void.

WARNING: It is customer's responsibility to prepare the location the product shall be placed on and also have power utility prepared.

WARNING: The rules about electrical local standards must be adhered to during product installation.

WARNING: Check for any damage on the product before installing it. Do not have product installed if it's damaged. Damaged products pose danger for your safety.

Important Warnings for Installation:



Figure 1

Cooling fan shall take extra steam out and prevent outer surfaces of appliance from overheating during operation of oven. This is a necessary condition for better appliance operation and better cooking. Cooling fan shall continue operation after cooking is finished. Fan shall automatically stop after cooling is completed.

A clearance must be left behind the enclosure where you'll place the appliance for efficient and good operation.

This clearance shouldn't be ignored as it's required for ventilation system of the appliance to operate.

Right Place For Installation

Product has been designed to be mounted to worktops procured from market. A safe distance must be left between the product and kitchen walls or furniture. See the drawing provided on the next page for proper distances. (values in mm).

- Used surfaces, synthetic laminates and adhesives must be heat resistant. (minimum 100 °C)
- Kitchen cupboards must be level with product and secured.
- If there is a drawer below the oven, a rack must be placed between oven and drawer.

WARNING: Do not install the product next to refrigerators or coolers. The heat emitted by the product increases the energy consumption of cooling devices.

WARNING: Do not use door and/or handle to carry or move the product.

60 cm Built-In Oven Installation And Mounting

Place of use for product must be located before starting installation.

Product mustn't be installed in places which are under the effect of strong air flow.

Carry the product with minimum two people. Do not drag the product so that floor isn't damaged.

Remove all transportation materials inside and outside the product. Remove all materials and documents in the product.

Installation Under Counter

Cabin must match the dimensions provided in figure 2.

A clearance must be provided at the rear part of the cabin as indicated in the figure so that necessary ventilation can be achieved.

After mounting, the clearance between lower and upper part of the counter is indicated in figure 5 with "A". It's for ventilation and shouldn't be covered.

Installation In An Elevated Cabinet

Cabin must match the dimensions provided in figure 4.

The clearances with the dimensions indicated in the figure must be provided at the rear part of cabin, upper and lower sections so that necessary ventilation can be achieved.

Installation Requirements

Product dimensions are provided in the figure 3.

Furniture surfaces for mounting and mounting materials to be used must have a minimum temperature resistance of 100 °C.

Mounting cabin must be secured and its floor must be plane for product not to tilt over.

Cabin floor must have a minimum strength that would handle a load of 60 kg.

Placing And Securing The Oven

Place the oven into the cabin with two or more people.

Ensure that oven's frame and front edge of the furniture match uniformly.

Supply cord mustn't be under the oven, squeeze in between oven and furniture or bend.

Fix the oven to the furniture by using the screws provided with the product. Screws must be mounted as shown in figure 5 by passing them through plastics attached to frame of the product. Screws mustn't be overtightened. Otherwise, screw sockets might be worn.

Check that oven doesn't move after mounting. If oven isn't mounted in accordance with instructions, there is a risk of tilt over during operation.

Electrical Connection

Mounting place of the product must have appropriate electrical installation.

Network voltage must be compatible with the values provided on type label of product.

Product connection must be made in accordance with local and national electrical requirements.

Before starting the mounting disconnect network power. Do not connect the product to network until its mounting is completed.

Mounting



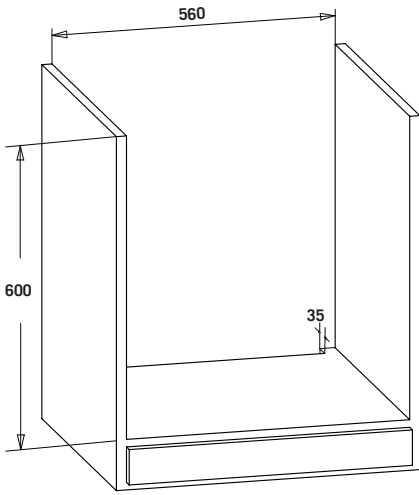


Figure 2



Figure 3

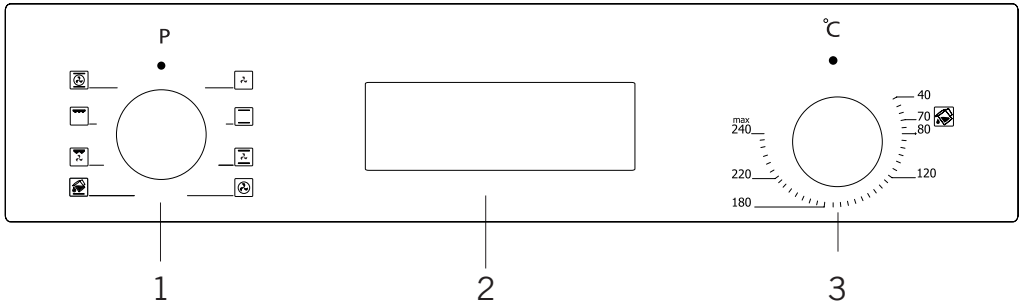


Figure 4



Figure 5

CONTROL PANEL



1. Function button
2. Mechanical or digital timer
3. Thermostat

WARNING: The control panel above is only for illustration purposes. Consider the control panel on your device.



Thermostat Button: Helps to set cooking temperature of the food to be cooked in the oven. You can set the desired temperature by turning the button after placing the food into the oven. Check cooking table related to cooking temperatures of different foods.



Mechanical Timer Button *: Helps to set time for the food to be cooked in the oven. Timer de-energizes the heaters when set time expires and warns you by ringing. See cooking table for cooking times.

Using Pop-up Button *

Adjustment can be made only when button is popped for models with pop-up button.



Make sure that button is popped by pressing on the button as shown in the figure at left side.



You can make necessary adjustments by turning right or left when button is popped enough.

USING THE OVEN

Initial Use Of Oven

Here are the things you must do at first use of your oven after making its necessary connections as per instructions:

- 1.** Remove labels or accessories attached inside the oven. If any, take out the protective folio on front side of the appliance.
- 2.** Remove dust and package residues by wiping inside of the oven with a damp cloth. Inside of oven must be empty. Plug the cable of appliance into the electrical socket.
- 3.** Set the thermostat button to the highest temperature (240 Max. °C) and run the oven for 30 minutes with its door closed. Meanwhile a slight smoke and smell might occur and that's a normal situation.
- 4.** Wipe inside of the oven with a slightly warm water with detergent after it becomes cold and then dry with a clean cloth. Now you can use your oven.

Normal Use Of Oven

- 1.** Adjust thermostat button and temperature at which you want to cook the food to start cooking.
- 2.** You can set cooking time to any desired time by using the button at models with mechanical timer. Timer will de-energize heaters when time expired and provide warning beep as ringing.
- 3.** Timer turns the heaters off and provides audible signal when cooking time expires in line with the information entered in the models with digital timer.
- 4.** Cooling system of the appliance will continue to operate after cooking is completed. Do not cut the power of appliance in this situation which is required for appliance to cool down. System will shut down after cooling is completed.

Using The Grill

1. When you place the grill on the top rack, the food on the grill shall not touch the grill.
2. You can preheat for 5 minutes while grilling. If necessary, you may turn the food upside down.
3. Food shall be in the center of the grill to provide maximum air flow through the oven.

To turn on the grill;

1. Place the function button over the grill symbol.
2. Then, set it to the desired grill temperature.

To turn the grill off;

Set the function button to the off position.

WARNING: Keep the oven door closed while grilling.

Using The Chicken Roasting *

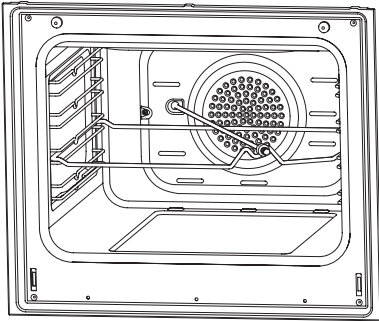
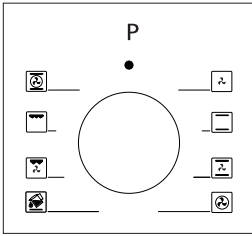


Figure 6

Place the spit on the frame. Slide turn spit frame into the oven at the desired level. Locate a dripping pan through the bottom in order to collect the fat. Add some water in dripping pan for easy cleaning. Do not forget to remove plastic part from spit. After grilling, screw the plastic handle to the skewer and take out the food from oven.

PROGRAM TYPES



Program Button: Helps to set with which heaters the food placed in oven will be cooked. Heater program types in this button and their functions are stated below. Every model might not have all heater types and thus program types of these heaters.

Heating program types in your appliance and important explanations of them are provided below for you can cook different foods appealing to your taste.

	Lower and upper heating elements		Fan
	Lower heating element and fan		Turbo heater and fan
	Grill and roast chicken		Lower-upper heating element and fan
	Upper heating element and fan		Grill and fan
	Multifunctional cooking (3D)		Grill
	Lower heating element		Upper heating element
	Small grill and fan		Steam cleaning

Lower heating element: Select this program towards end of cooking time if lower part of the food cooked will be roasted.

Upper heating element: Used for post heating or roasting very little pieces of foods.

Lower and upper heating elements: A program that can be used for cooking foods like cake, pizza, biscuit and cookie.

Lower heating element and fan: Use mostly for cooking foods like fruit cake.

Lower and upper heating element and fan: The program suitable for cooking foods like cakes, dried cakes, lasagne. Suitable for cooking meat dishes, as well.

Grill: Grill cooker is used for grilling meat like foods such as steak, sausage and fish. While grilling, tray should be placed in the lower rack and water must be placed in it.

Turbo heater and fan: Suitable for baking and roasting. Keep heat setting lower than “Lower and Upper Heater” program since heat is conveyed immediately via air flow.

Grill and fan: Suitable for cooking meat type foods. Do not forget to place a cooking tray in a lower rack inside the oven and a little water in it while grilling.

Multi Functional Cooking (3D): Suitable for baking and roasting. Lower and upper heaters operate as well as quick transmission of heat via air flow. Suitable for cooking requiring single tray and intense heat.

COOKING RECOMMENDATIONS

You can find in the following table the information of food types which we tested and identified their cooking values in our labs. Cooking times can vary depending on the network voltage, quality of material to be cooked, quantity and temperature. Dishes to cook by using these values might not appeal to your taste. You can set various values for obtaining different tastes and results appealing to your taste by making tests.

WARNING: Oven must be preheated for 7-10 minutes before placing the food in it.

Cooking Table

MFA1-6..... :

Food	Cooking function	Cooking temperature (°C)	Cooking rack	Cooking time (min.)
Cake	Static / Static+fan	170-180	2-3	35-45
Small cake	Static / Turbo+fan	170-180	2	25-30
Pie	Static / Static+fan	180-200	2	35-45
Pastry	Static	180-190	2	20-25
Cookie	Static	170-180	2	20-25
Apple pie	Static / Turbo+fan	180-190	1	50-70
Sponge cake	Static	200/150 *	2	20-25
Pizza	Static fan	180-200	3	20-30
Lasagne	Static	180-200	2-3	25-40
Meringue	Static	100	2	50
Grilled chicken **	Grill+fan	200-220	3	25-35
Grilled fish **	Grill+fan	200-220	3	25-35
Calf steak **	Grill+fan	Max	4	15-20
Grilled meatball **	Grill+fan	Max	4	20-25

MFA1-8..... :

Food	Cooking function	Cooking temperature (°C)	Cooking rack	Cooking time (min.)
Cake	Static / Static+fan	170-180	2-3	30-35
Small cake	Static / Turbo+fan	170-180	2-3	25-30
Pie	Static / Static+fan	180-200	2-3	30-35
Pastry	Static	180-190	2	25-30
Cookie	Static / Turbo+fan	170-180	2-3	20-30
Apple pie	Static / Turbo+fan	180-190	2-3	40-50
Sponge cake	Static / Turbo+fan	200/150 *	2-3	25-30
Pizza	Static / Turbo+lower	180-200	3	20-30
Lasagne	Static	180-200	2-3	20-25
Meringue	Static / Lower-upper+fan	100	2-3	60-70
Grilled chicken **	Grill / Lower-upper+fan	200-220	2-3	25-30
Grilled fish **	Grill	190-200-220	3-4	20-25
Calf steak **	Grill	230	5	25-30
Grilled meatball **	Grill	230	5	20-35

* Do not preheat. First half of cooking time is recommended to be at 200 °C de while the other half at 150 °C.

** Food must be turned after half of the cooking time.

Baking With Pizza Stone

When baking with pizza stone, place pizza stone over wire rack and pre-heat the oven in pizza mode (turbo + lower) at 230 °C for 30 minutes. Once pre-heating is completed, without removing pizza stone put pizza over it with the peel (do not place frozen pizza) and bake at 180 °C for 20-25 minutes. Once baking is completed, remove the baked pizza from the oven using the peel.

WARNING: Do not place pizza stone in a pre-heated oven.

WARNING: Once baking is completed, do not remove pizza stone when it is hot and do not place on cold surfaces. Otherwise, pizza stone can be cracked.

WARNING: Do not expose pizza stone to humidity.

Drying

Food	Cooking function	Cooking temperature (°C)	Cooking rack	Cooking duration (hours)
Sliced banana	Fan-cooking functions	100	2	4-5
Sliced apple	Fan-cooking functions	100	2	4-5
Sliced orange	Fan-cooking functions	100	2	4-5

WARNING: The thinner the slices, the faster the drying duration is and the aroma of the food is preserved better.

WARNING: Do not open the oven door until the drying process is complete.

WARNING: Drying should only be carried out in the drying tray.

WARNING: Do not preheat during drying.

MAINTENANCE AND CLEANING

1. Remove the power plug from electrical socket.
2. Do not clean inner parts, panel, trays and other parts of the product with hard tools such as bristle brush, wire wool or knife. Do not use abrasive, scratching materials or detergent.
3. Rinse after wiping the parts at inner parts of the product with soapy cloth, then dry thoroughly with a soft cloth.
4. Clean glass surfaces with special glass cleaning material.
5. Do not clean your product with steam cleaners.
6. Never use combustibles like acid, thinner and gas while cleaning your product.
7. Do not wash any part of the product in dishwasher.
8. Use potassium stearate (soft soap) for dirt and stains.

Steam Cleaning *



Figure 7

It enables cleaning the soils softened thanks to the steam to be generated in the oven.

1. Remove all the accessories in the oven.
2. Pour a half litre of water into the tray and Place the tray at the bottom of the boiler.
3. Set the switch to the steam cleaning mode.
4. Set the thermostat to 70 °C degrees and operate the oven for 30 minutes.

5. After operating the oven for 30 minutes, open the oven door and wipe the inner surfaces with a wet cloth.

6. Use dish-washing liquid, warm water and a soft cloth for stubborn dirt, then dry off the area you have just cleaned with a dry cloth.

Cleaning And Mounting Oven Door



Figure 8

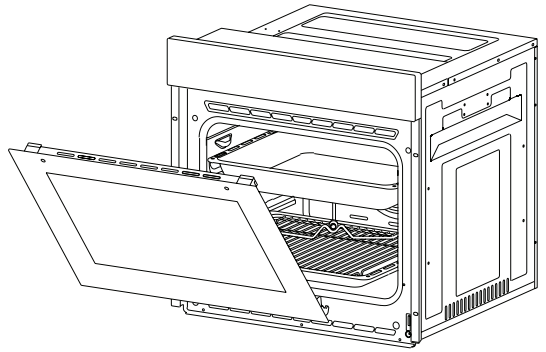


Figure 9

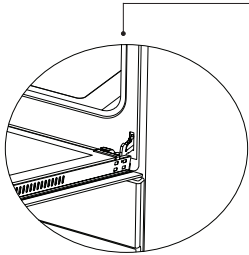


Figure 8.1

Open the door fully by pulling the oven door toward yourself. Then perform unlock operation by pulling the hinge lock upwards with the aid of screwdriver as indicated in **figure 8.1**.

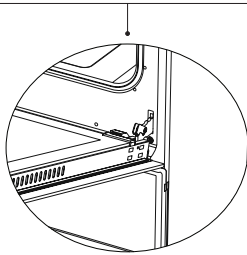


Figure 8.2

Set the hinge lock to the widest angle as in **figure 8.2**. Adjust both hinges connecting oven door to the oven to the same position.

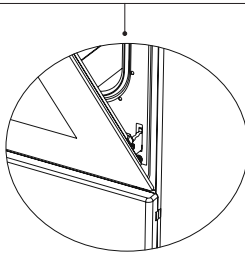


Figure 9.1

Later, close the opened oven door so that it will be in a position to contact with hinge lock as in **figure 9.1**.

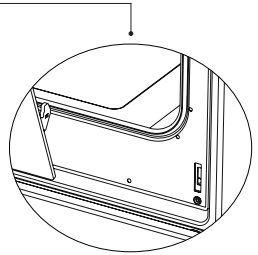


Figure 9.2

For easier removal of oven door, when it comes close to closed position, hold the cover with two hands as in **figure 9.2** and pull upwards.

Reversely perform respectively what you did while opening door to reinstall oven door back.

Cleaning Of The Oven Glass

Your product may differ. Follow the appropriate step for your product.

1. Press the plastic latches on the left and right sides as shown in Figure 10 and lift the the profile by pulling it towards you as shown in Figure 11. Glass will be free after the profile is removed as shown in Figure 12. Carefully pull the glass that has become free toward you. If necessary, the middle glass can also be removed in the same way. The outer glass is fixed to the oven door profile. You may easily clean the glasses after they have been separated. Once the cleaning and maintenance is complete, you can replace the glasses and the profile by performing the removal procedure in reverse. Make sure that the glass is inserted in the correct direction and that the profile is seated properly.

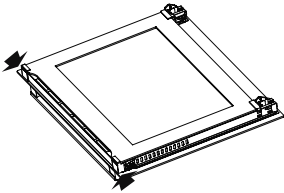


Figure 10

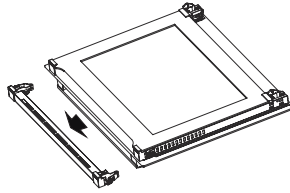


Figure 11

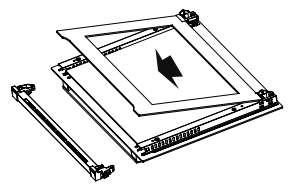


Figure 12

2. Remove the screws on the left and right sides as shown in Figure 13. Remove the profile by pulling it towards you as shown in Figure 14. Glass will be free after the profile is removed as shown in Figure 15. Carefully pull the glass that has become free toward you. If necessary, the middle glass can also be removed in the same way. The outer glass is fixed to the oven door profile. You may easily clean the glass once it has been released. Once the cleaning and maintenance is complete, you can replace the glasses and the profile by performing the removal procedure in reverse. Make sure that the glass is inserted in the correct direction and that the profile is seated properly.

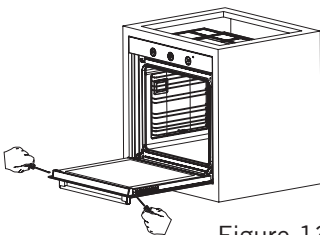


Figure 13

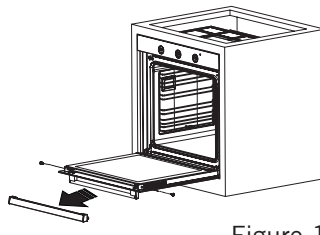


Figure 14

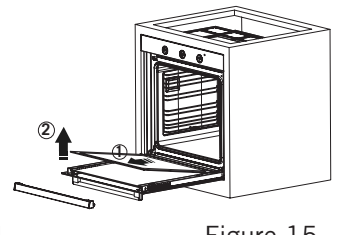


Figure 15

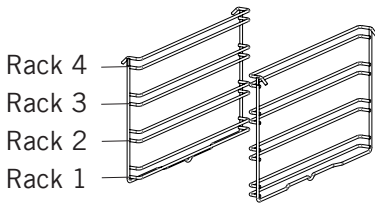
Catalytic Panel *

It is located behind the wire racks of the oven, at the right and left walls of oven cavity. Catalytic panel removes offensive odour and provides using your appliance at its best performance. Over time, oil and food odours permeate into enamelled oven walls and heating elements. Catalytic panel absorbs any food and oil odours, and burns them during cooking to clean your oven.

Detaching catalytic panel

To remove catalytic panel; first remove the wire racks. Once wire racks are removed, catalytic panel will be free. It is advised to replace the catalytic panel once every 2-3 years.

Rack Positions



It is important to place the wire grill into the oven properly. Do not allow wire rack to touch rear wall of the oven. Rack positions are shown in the next figure. You may place a deep tray or a standard tray in the lower and upper wire racks.

Installing and removing wire racks

To remove wire racks, press the clips shown with arrows in the figure, first remove the lower, and than the upper side from installation location. To install wire racks; reverse the procedure for removing wire rack.

Replacing Oven Lamp

WARNING: To avoid electric shock, ensure that the appliance circuit is open before changing the lamp. (having circuit open means power is off) First disconnect the power of appliance and ensure that appliance is cold.

Remove the glass protection by turning as indicated in the figure on the left side. If you have difficulty in turning, then using plastic gloves will help you in turning.

Then remove the lamp by turning, install the new lamp with same specifications.

Reinstall glass protection, plug the power cable of appliance into electrical socket and complete replacement. Now you can use your oven.

Type G9 Lamp



220-240 V, AC
15-25 W



Figure 16

Type E14 Lamp



220-240 V, AC
15 W



Figure 17

WARNING: This product contains a light source of energy efficiency class G.

TROUBLESHOOTING

You may solve the problems you may encounter with your product by checking the following points before calling the technical service.

Check Points

In case you experience a problem about the oven, first check the table below and try out the suggestions.

Problem	Possible Cause	What to Do
Oven does not operate.	Power supply not available.	Check for power supply.
Oven stops during cooking.	Plug comes out from the wall socket.	Re-install the plug into wall socket.
Turns off during cooking.	Too long continuous operation.	Let the oven cool down after long cooking cycles.
	Cooling fan not operating.	Listen the sound from the cooling fan.
	Oven not installed in a location with good ventilation.	Make sure clearances specified in operating instructions are maintained.
	More than one plugs in a wall socket.	Use only one plug for each wall socket.
Outer surface of the oven gets very hot during operation.	Oven not installed in a location with good ventilation.	Make sure clearances specified in operating instructions are maintained.
Oven door is not opening properly.	Food residues jammed between the door and internal cavity.	Clean the oven well and try to re-open the door.
Internal light is dim or does not operate.	Foreign object covering the lamp during cooking.	Clean internal surface of the oven and check again.
	Lamp might be failed.	Replace with a lamp with same specifications.
Electric shock when touching the oven.	No proper grounding.	Make sure power supply is grounded properly.
	Ungrounded wall socket is used.	

Problem	Possible Cause	What to Do
Water dripping.	Water or steam may generate under certain conditions depending on the food being cooked. This is not a fault of the appliance.	Let the oven cool down and then wipe dry with a cloth.
Steam coming out from a crack on oven door.		
Water remaining inside the oven.		
The cooling fan continues to operate after cooking is finished.	The fan operates for a certain period for ventilation of internal cavity of the oven.	This is not a fault of the appliance; therefore you don't have to worry.
Oven does not heat.	Oven door is open.	Close the door and restart.
	Oven controls not correctly adjusted.	Read the section regarding operation of the oven and reset the oven.
	Fuse tripped or circuit breaker turned off.	Replace the fuse or reset the circuit breaker. If this is repeating frequently, call an electrician.
Smoke coming out during operation.	When operating the oven for the first time.	Smoke comes out from the heaters. This is not a fault. After 2-3 cycles, there will be no more smoke.
	Food on heater.	Let the oven to cool down and clean food residues from the ground of the oven and surface of upper heater.
When operating the oven burnt or plastic odour coming out.	Plastic or other not heat resistant accessories are being used inside the oven.	At high temperatures, use suitable glassware accessories.
Oven does not cook well.	Oven door is opened frequently during cooking.	Do not open oven door frequently, if the food you are cooking does not require turning. If you open the door frequently internal temperature drops and therefore cooking result will be influenced.

HANDLING RULES

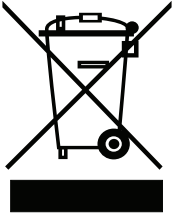
1. Do not use the door and/or handle to carry or move the appliance.
2. Carry out the movement and transportation in the original packaging.
3. Pay maximum attention to the appliance while loading/unloading and handling.
4. Make sure that the packaging is securely closed during handling and transportation.
5. Protect from external factors (such as humidity, water, etc.) that may damage the packaging.
6. Be careful not to damage the appliance due to bumps, crashes, drops, etc. while handling and transporting and not to break or deform it during operation.

RECOMMENDATIONS FOR ENERGY SAVING

Following details will help you use your product ecologically and economically.

1. Use dark coloured and enamel containers that conduct the heat better in the oven.
2. As you cook your food, if the recipe or the user manual indicates that pre-heating is required, pre-heat the oven.
3. Do not open the oven door frequently while cooking.
4. Try not to cook multiple dishes simultaneously in the oven. You may cook at the same time by placing two cookers on the wire rack.
5. Cook multiple dishes successively. The oven will not lose heat.
6. Turn off the oven a few minutes before the expiration time of cooking. In this case, do not open the oven door.
7. Defrost the frozen food before cooking.

ENVIRONMENTALLY-FRIENDLY DISPOSAL



Dispose of packaging in an environmentally-friendly manner.

This appliance is labelled in accordance with European Directive 2012/19/EU concerning used electrical and electronic appliances (waste electrical and electronic equipment - WEEE). The guideline determines the framework for the return and recycling of used appliances as applicable throughout to the EU.

PACKAGE INFORMATION

Packaging materials of the product are manufactured from recyclable materials in accordance with our National Environment Regulations. Do not dispose of the packaging materials together with the domestic or other wastes. Take them to the packaging material collection points designated by the local authorities.

Sehr geehrter Kunde,

Vielen Dank, dass Sie auf dieses Produkt vertrauen.

Wir haben das Ziel, Ihnen einen optimalen und effizienten Einsatz dieses umweltfreundlichen Produktes zu ermöglichen, das unter Berücksichtigung eines ganzheitlichen Qualitätsansatzes unter strengen Bedingungen in unseren modernen Anlagen hergestellt wurde.

Sie sollten diese Bedienungsanleitung vor der Inbetriebnahme des Ofens aufmerksam durchlesen und sicher aufbewahren, damit die Merkmale und Funktionen des von Ihnen erworbenen Einbaufens lange Zeit optimale Dienste leisten.

Hinweis: Diese Anleitung wurde für mehrere Modelle geschrieben. Ihr Gerät verfügt möglicherweise nicht über alle in der Anleitung angegebenen Funktionen.

Die Produktabbildungen sind schematisch.

Dieses Produkt wurde ohne negative Auswirkungen auf die Natur in modernen, umweltfreundlichen Anlagen gefertigt.

Mit (*) markierte Produkte sind optional.

„Konformität mit WEEE-Richtlinie“

Inhalt

Wichtige Sicherheitshinweise.....	40
Elektrischer Anschluss.....	40
Vorstellung des Gerätes.....	41
Zubehör.....	52
Technische Daten.....	53
Installation des Gerätes.....	53
Bedienfeld.....	59
Ofen verwenden.....	61
Verwendung des Grills.....	62
Hähnchen-Bratfunktion verwenden.....	62
Programmtypen.....	63
Zubereitungsempfehlungen.....	64
Zubereitungstabelle.....	65
Backen mit Pizzastein.....	66
Wartung und Reinigung.....	67
Dampfreinigung.....	67
Ofentür reinigen und montieren.....	68
Ofenglas reinigen.....	69
Katalytische Wände.....	70
Regalposition.....	71
Ofenbeleuchtung auswechseln.....	71
Fehlerbehebung.....	72
Handhabungsregeln.....	74
Empfehlungen zur Energiesparung.....	74
Umweltgerechte Entsorgung.....	75
Verpackungsinformationen.....	75

WICHTIGE SICHERHEITSHINWEISE

1. Installation und Reparatur sollten immer von einem „**AUTORISIERTEN SERVICE**“ durchgeführt werden. Der Hersteller haftet nicht für Operationen, die von unbefugten Personen durchgeführt werden.
2. Bitte lesen Sie diese Bedienungsanleitung sorgfältig durch. Nur so können Sie das Gerät sicher und korrekt benutzen.
3. Der Backofen sollte gemäß der Bedienungsanleitung benutzt werden.
4. Halten Sie Kinder unter 8 Jahren und Haustiere bei der Arbeit fern.
5. **Zugängliche Teile können während der Nutzung heiß werden. Kleinkinder sind von dem Gerät fernzuhalten.**
6. **WARNUNG: Brandgefahr: Legen Sie keine Gegenstände auf die Kochflächen.**
7. **WARNUNG: Während der Benutzung wird das Gerät heiß. Es sollte darauf geachtet werden, dass keine Heizelemente im Inneren des Ofens berührt werden.**
8. Die Einstellungsbedingungen für dieses Gerät sind auf dem Etikett angegeben. (oder auf dem Typenschild)
9. Während der Verwendung können die zugänglichen Teile heiß sein. Kleinkinder sind von dem Gerät fernzuhalten.
10. **WARNUNG: Dieses Gerät ist zum Kochen bestimmt. Es darf keinesfalls für andere Zwecke, wie z. B. die Beheizung des Raums, verwendet werden.**

11. Verwenden Sie zum Reinigen des Geräts keine Dampfreiniger.

12. Stellen Sie sicher, dass die Backofentür vollständig geschlossen ist, nachdem Sie Lebensmittel in den Backofen gegeben haben.

13. Versuchen Sie NIEMALS das Feuer mit Wasser zu löschen. Schalten Sie nur den Geräteschaltkreis aus und decken Sie die Flamme dann mit einem Deckel oder einer Löschdecke ab.

14. **WARNUNG: Kinder unter 8 Jahren sollten vom Gerät entfernt gehalten werden, es sei denn, sie stehen unter ständiger Aufsicht.**

15. Das Berühren der Heizelemente sollte vermieden werden.

16. **VORSICHT: Der Kochvorgang muss überwacht werden. Der Kochvorgang muss immer überwacht werden.**

17. Dieses Gerät kann von Kindern ab 8 Jahre und Personen mit eingeschränkter physischer, sensorischer oder geistiger Fähigkeit oder fehlender Erfahrung und Wissen verwendet werden, wenn diese vorher über die sichere Verwendung des Gerätes unterrichtet wurden und die damit zusammenhängenden Gefahren verstanden haben. Kinder dürfen nicht mit dem Gerät spielen. Die Reinigung und Anwenderwartung sollte nicht von Kindern ohne Aufsicht durchgeführt werden.

18. Dieses Gerät ist ausschließlich zum Einsatz im Haushalt vorgesehen.

19. Kinder dürfen nicht mit dem Gerät spielen. Reinigung und Wartung dürfen nicht von Kindern durchgeführt werden, es sei denn, sie sind älter als 8 Jahre und werden von Erwachsenen beaufsichtigt.

20. Halten Sie das Gerät und das Netzkabel fern vom Zugang von Kindern unter 8 Jahren.

21 Legen Sie Vorhänge, Tüll, Papier oder brennbares (zündfähiges) Material vom Gerät weg, bevor Sie das Gerät benutzen. Stellen Sie keine brennbaren Materialien auf bzw. in die das Gerät.

22. Halten Sie die Belüftungskanäle offen.

23. Das Gerät ist nicht für die Verwendung mit einem externen Timer oder einem separaten Fernbedienungssystem geeignet.

24. Geschlossen Dosen und Gläser nicht erhitzen. Der Druck kann dazu führen, dass Gläser explodieren.

25. Der Backofengriff ist kein Handtuchrockner. Hängen Sie keine Handtücher o.ä. auf den Backofengriff.

26. Stellen Sie die Backbleche, Platten oder Aluminiumfolien nicht direkt auf den Backofenboden. Die angesammelte Hitze kann den Backofenboden beschädigen.

27. Verwenden Sie hitzebeständige Backofenhandschuhe, wenn Sie Speisen in den. Backofen legen oder aus dem Backofen nehmen.

28. Verwenden Sie das Produkt nicht in medizinischen und/oder unter Einfluss von Alkohol, der Ihre Urteilsfähigkeit beeinträchtigen könnten.

29. Seien Sie vorsichtig, wenn Sie Alkohol in Ihrem Essen verwenden. Alkohol verdampft bei hohen Temperaturen und kann Feuer fangen, wenn es mit heißen Oberflächen in Berührung kommt.

30. Überprüfen Sie nach jedem Gebrauch, ob das Gerät ausgeschaltet ist.

31. Wenn das Gerät defekt ist oder sichtbare Schäden aufweist, betreiben Sie das Gerät nicht.

32. Berühren Sie den Stecker nicht mit nassen Händen. Ziehen Sie nicht am Netzkabel, sondern fassen Sie stets am Stecker selber an.

33. Verwenden Sie das Gerät nicht, wenn das Vordertürglas entfernt oder gebrochen ist.

34. Legen Sie das Backpapier zusammen mit dem Essen in einen vorgeheizten Backofen, indem Sie es in einen Herd oder auf ein Backofenzubehör (Backblech, Grillrost usw.) stellen.

35. Stellen Sie keine Gegenstände auf das Gerät, die Kinder erreichen könnten.

36. Es ist wichtig, das Drahtgitter und das Backblech richtig auf den Drahtgestellen zu platzieren und/oder das Backblech richtig auf dem Gestell zu platzieren. Stellen Sie den Grill oder das Backblech zwischen zwei Schienen und stellen Sie sicher, dass es ausgewogen ist, bevor Sie Lebensmittel darauf legen.

37. Gegen das Risiko, die Backofenheizelemente zu berühren, entfernen Sie überschüssige Teile des Backpapiers, die vom Zubehör oder Behälter hängen.

38. Verwenden Sie das Gerät niemals bei höheren Backofentemperaturen als auf dem Backpapier angegeben. Stellen Sie das Backpapier nicht auf den Backofenboden. Gegen das Risiko, die Backofenheizelemente zu berühren, entfernen Sie überschüssige Teile des Backpapiers, die vom Zubehör oder Behälter hängen.

39. Wenn die Tür offen ist, stellen Sie keine schweren Gegenstände auf die Tür oder lassen Sie keine Kinder darauf sitzen. Sie könnten den Backofen umkippen oder die Türscharniere beschädigen.

40. Die Verpackungsmaterialien stellen eine Gefahr für Kinder dar. Verpackungsmaterial von Kindern fernhalten.

41. Verwenden Sie keine Scheuermittel oder scharfe Metallschaber, um das Glas zu reinigen, da Kratzer auf der Oberfläche des Türglases zum Bruch des Glases führen können.

42. Der Benutzer sollte den Ofen nicht alleine tragen.

43. Während der Benutzung werden die Innen- und Außenflächen des Ofens heiß. Wenn Sie die Backofentür öffnen, treten Sie zurück, um zu vermeiden, dass der heiße Dampf aus dem Inneren austritt. Es besteht Verbrennungsgefahr.

44. Stellen Sie keine schweren Gegenstände auf, wenn die Backofentür geöffnet ist, es besteht Kippgefahr.

45. Der Benutzer sollte den Widerstand während der Reinigung nicht verschieben. Dies kann zu einem elektrischen Schlag führen.

46. Die Backofenzufuhr kann bei allen Bauarbeiten zu Hause unterbrochen werden. Nach Abschluss der Arbeiten muss der Backofen wieder von einem autorisierten Service angeschlossen werden.

47. Um Überhitzung zu vermeiden, sollte das Gerät nicht hinter einer dekorativen Abdeckung installiert werden.

48. Schalten Sie das Gerät aus, bevor Sie die Schutzvorrichtungen entfernen. Nach der Reinigung die Schutzvorrichtungen gemäß den Anweisungen installieren.

49. Kabelbefestigungspunkt muss geschützt sein.

50. Bitte kochen Sie das Essen nicht direkt auf dem Tablett / Gitter. Bitte legen Sie das Essen in oder auf geeignetes Werkzeug, bevor Sie es in den Ofen legen.

Elektrische Sicherheit

1. Schließen Sie das Gerät an eine geerdete Steckdose an, die durch eine Sicherung geschützt ist, die den in der technischen Spezifikation angegebenen Werten entspricht.

2. Lassen Sie eine geerdete Ausrüstung von einem autorisierten Elektriker installieren. Unsere Firma ist nicht verantwortlich für die Schäden, die entstehen, wenn das Produkt ohne Erdung gemäß den örtlichen Vorschriften verwendet wird.

3. Die Schutzschalter des Backofens müssen so angebracht werden, dass der Endbenutzer sie bei der Installation des Backofens erreichen kann.

4. Das Netzkabel (das Kabel mit Stecker) darf die heißen Teile des Geräts nicht berühren.

5. Wenn das Netzkabel (das Kabel mit Stecker) beschädigt ist, muss dieses Kabel vom Hersteller oder seinem Kundendienst oder einem ähnlich qualifizierten Personal ausgetauscht werden, um eine gefährliche Situation zu vermeiden.

6. Waschen Sie das Gerät niemals, indem Sie es mit Wasser bespritzen oder Wasser darauf gießen! Es besteht Stromschlaggefahr.

7. WARNUNG: Stellen Sie vor dem Lampenwechsel sicher, dass der Stromkreis des Geräts offen ist, um Stromschläge zu vermeiden.

8. WARNUNG: Trennen Sie alle Versorgungskreisverbindungen, bevor Sie auf die Klemmen zugreifen.

9. Verwenden Sie keine anderen beschädigten Kabel oder Verlängerungskabel außer das Originalkabel.

10. Stellen Sie sicher, dass sich keine Flüssigkeit oder Feuchtigkeit in der Steckdose befindet, in der der Produktstecker installiert ist.

11. Die Rückseite des Backofens erwärmt sich ebenfalls, wenn der Backofen betrieben wird. Elektrische Anschlüsse dürfen die Rückseite nicht berühren, da sonst die Anschlüsse beschädigt werden können.

12. Ziehen Sie die Anschlusskabel zur Backofentür nicht fest und führen Sie sie nicht über heiße Oberflächen. Wenn das Kabel schmilzt, kann dies zu einem Kurzschluss im Backofen und sogar zu einem Brand führen.

13. Ziehen Sie stets den Netzstecker, bevor Sie das Gerät aufstellen, warten, reinigen oder im Falle einer Reparatur.

14. Sollte das Netzkabel beschädigt sein, muss es entweder durch den Hersteller oder den zuständigen Kundendienst bzw. eine ausreichend qualifizierte Fachwerkstatt ausgetauscht werden, um Gefahrensituationen zu vermeiden.

15. Stellen Sie sicher, dass der Stecker fest in der Steckdose steckt, um Funkenbildung zu vermeiden.

16. Verwenden Sie zur Reinigung des Geräts keine Dampfreiniger, da dies zu Stromschlägen führen kann.

17. Ein omnipolarer Schalter, der die Stromversorgung unterbrechen kann, ist für die Installation erforderlich. Die Trennung von der Stromversorgung muss mit einem Schalter oder einer integrierten Sicherung versehen sein, die gemäß der Bauvorschriften an der festen Stromversorgung installiert ist.

18. Das Gerät ist mit einem **Y-Kabel** ausgestattet.

19. Feste Verbindungen müssen an eine Stromversorgung angeschlossen werden, die eine allpolige Trennung ermöglicht. Bei Geräten mit einer Überspannungskategorie unter III muss die Trennvorrichtung gemäß dem Verdrahtungscode an die feste Stromversorgung angeschlossen werden.

Verwendungszweck

- 1.** Dieses Produkt ist für den Heimgebrauch bestimmt. Die kommerzielle Nutzung des Gerätes ist nicht gestattet.
- 2.** Dieses Gerät darf nur zum Kochen verwendet werden. Es darf keinesfalls für andere Zwecke, wie z. B. die Beheizung des Raums, verwendet werden.
- 3.** Dieses Gerät darf nicht zum Erhitzen von Platten unter dem Grill, zum Trocknen von Kleidung oder Handtüchern durch Aufhängen am Griff oder zu Heizzwecken verwendet werden.
- 4.** Der Hersteller übernimmt keine Verantwortung für Schäden aufgrund von Fehlgebrauch oder falscher Handhabung.
- 5.** Der Backofenteil des Geräts kann zum Auftauen, Rösten, Braten und Grillen von Speisen verwendet werden.
- 6.** Die Lebensdauer des von Ihnen erworbenen Produkts beträgt 10 Jahre. Dies ist der Zeitraum, für den die für den Betrieb dieses Produkts erforderlichen Ersatzteile vom Hersteller zur Verfügung gestellt werden.

Elektrischer Anschluss

Dieser Ofen muss von einem autorisierten Serviceanbieter sachgemäß in Übereinstimmung mit den Anweisungen des Herstellers installiert und angeschlossen werden.

Das Gerät muss in einem Ofengehäuse installiert werden, das eine angemessene Belüftung bereitstellt.

Der elektrische Anschluss des Gerätes muss über Schutzkontaktstecker (Schukostecker) mit Schutzerde und gemäß elektrotechnischen Vorgaben erfolgen. Wenden Sie sich an einen autorisierten Elektriker, falls am Aufstellungsort des Gerätes kein entsprechender Anschluss mit Schutzerde vorhanden ist. Der Hersteller übernimmt unter keinen Umständen Verantwortung für Schäden aufgrund des Anschlusses an nicht geerdete Steckdosen.

Der Stecker Ihres Ofens muss geerdet sein; stellen Sie sicher, dass die Steckdose für den Stecker geerdet ist. Der Stecker muss auch nach der Installation zugänglich sein.

Ihr Ofen ist auf 220 bis 240 V bei 50/60 Hz ausgelegt. Es muss sich um eine Wechselstromversorgung mit einer 16-Ampere-Sicherung handeln. Falls Ihre Stromversorgung nicht mit den angezeigten Werten übereinstimmt, wenden Sie sich an einen Elektriker oder autorisierten Serviceanbieter.

Wenn Sie die elektrische Sicherung ersetzen müssen, nehmen Sie den elektrischen Anschluss wie folgt vor:

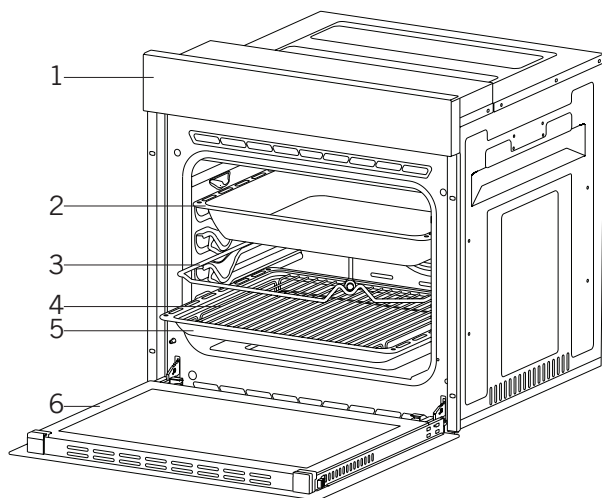
- Braunes Phasenkabel an stromführende Klemme
- Blaues Kabel an Nullleiterklemme
- Gelb-grünes Kabel an Erdungsklemme

Trennvorrichtungen des Ofens müssen für den Endanwender nach der Installation zugänglich sein.

Das Netzkabel darf keine heißen Teile des Gerätes berühren.

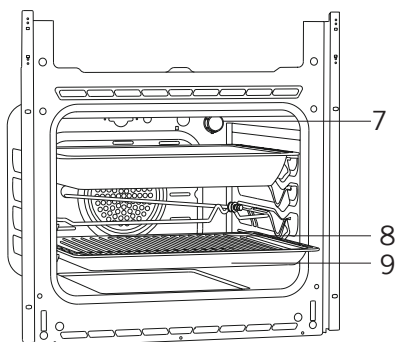
Falls das Netzkabel beschädigt ist, muss es zur Vermeidung von Gefahren vom Importeur, seinem Serviceagenten oder einer ähnlich qualifizierten Person ersetzt werden.

VORSTELLUNG DES GERÄTES



- 1. Bedienfeld
- 2. Tiefes Blech *
- 3. Bratspieß *

- 4. Bratenrost
- 5. Standardblech
- 6. Ofentür



- 7. Beleuchtung
- 8. Bratenrost
- 9. Standardblech

Zubehör (optional)

	<p>Tiefes Backblech *</p> <p>Für Feingebäck, große Braten, wässrige Lebensmittel. Kann auch als Sammelbehälter verwendet werden, wenn Sie Kuchen, gefrorene Lebensmittel oder Fischgerichte direkt auf dem Rost zubereiten.</p>
	<p>Tablett / Glas Backblech *</p> <p>Für Feingebäck (kekse, biskuit usw.) gefrorene Lebensmittel.</p>
	<p>Rundes Backblech *</p> <p>Für Feingebäck gefrorene Lebensmittel.</p>
	<p>Trocknungsblech *</p> <p>Es wird für Lebensmittel verwendet, die Sie trocknen möchten.</p>
	<p>Grillrost</p> <p>Zum Braten oder Erwärmen (gefrorener) Lebensmittel im gewünschten Einschub.</p>
	<p>Teleskopschiene *</p> <p>Bleche und Grillroste können dank der Teleskopschienen mühelos entfernt und installiert werden.</p>
	<p>Bratenrost *</p> <p>Das Bratenrost empfiehlt sich bei Lebensmitteln, die bei der Zubereitung anhaften, wie z. B. Steaks. Dadurch berühren die Lebensmittel nicht das darunter befindliche Blech und haften nicht an.</p>
	<p>Pizzastein und Schale *</p> <p>Sie werden zum Backen von Gebäck wie Pizza, Brot, Pfannkuchen und zum Entfernen gebackener Speisen aus dem Ofen verwendet.</p>
	<p>Tablettgriff *</p> <p>Es wird verwendet, um heiße Tablett zu halten.</p>

Technische Daten

Technische Daten	Einbauofen, 60 cm (MFA1-6.....)			
Beleuchtungsleistung	15-25 W / G9			
Thermostat	40-240 / Max. °C			
Unteres heizelement	1200 W			
Oberes heizelement	1000 W			
Turboheizelement	1800 W			
Grillheizelement	Kleiner grill	1000 W	Großer grill	2000 W
Versorgungsspannung	220-240 V, 50/60 Hz.			

Technische Daten	Einbauofen, 60 cm (MFA1-8.....)			
Beleuchtungsleistung	15-25 W / G9			
Thermostat	40-240 / Max °C			
Unteres heizelement	1200 W			
Oberes heizelement	1200 W			
Turboheizelement	1800 W			
Grillheizelement	Kleiner grill	1200 W	Großer grill	2400 W
Versorgungsspannung	220-240 V, 50/60 Hz.			

Technische Daten können zur Verbesserung der Produktqualität ohne Ankündigung geändert werden.

Die mit dem Gerät oder seinen Begleitdokumenten bereitgestellten Werte sind Laborwerte, die in Übereinstimmung mit den entsprechenden Standards ermittelt wurden. Diese Werte können je nach Nutzungs- und Umgebungsbedingungen variieren.

Die Abbildungen in dieser Anleitung sind schematisch und stimmen möglicherweise nicht exakt mit Ihrem Produkt überein.

INSTALLATION DES GERÄTES

Stellen Sie sicher, dass die Elektroinstallation für die Inbetriebnahme des Gerätes geeignet ist. Falls nicht, lassen Sie von einem Elektriker und/oder Klempner die erforderlichen Maßnahmen durchführen. Der Hersteller kann nicht für Schäden aufgrund von Tätigkeiten durch unautorisierte Personen gemacht werden; zudem erlischt in solchen Fällen die Garantie.

WARNUNG: Die Vorbereitung des Aufstellungsortes und die Gewährleistung einer angemessenen Netzversorgung liegen in der Verantwortung des Kunden.

WARNUNG: Bei der Produktinstallation müssen Vorschriften über lokale elektrische Standards eingehalten werden.

WARNUNG: Prüfen Sie das Produkt vor der Installation auf jegliche Schäden. Lassen Sie ein beschädigtes Produkt nicht installieren. Beschädigte Produkte bergen Sicherheitsrisiken.

Wichtige Warnhinweise zur Installation:

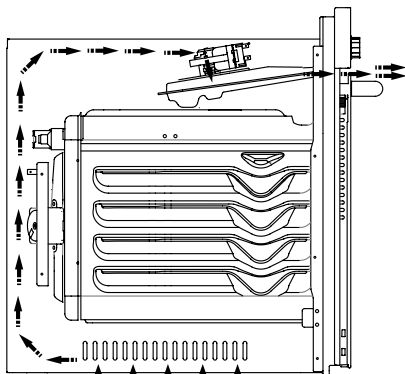


Abbildung 1

Der Lüfter soll überschüssigen Dampf ableiten und verhindern, dass die Außenflächen des Ofens während des Betriebs überhitzen. Dies ist eine notwendige Bedingung zur Verbesserung des Gerätebetriebs und der Garergebnisse. Der Lüfter arbeitet nach dem Garen noch einige Zeit weiter. Nach Abschluss der Kühlung stoppt er automatisch.

Halten Sie am Aufstellungsort hinter dem Gerät einen ausreichenden Abstand ein, damit das Gerät effizient und gut arbeiten kann. Dieser Freiraum muss aufgrund des Belüftungssystems des Gerätes unbedingt beachtet werden.

Der richtige Aufstellungsort

Das Produkt wurde zur Montage unter marktüblichen Arbeitsplatten entwickelt. Halten Sie zwischen dem Produkt und Küchenwänden oder -möbeln einen Sicherheitsabstand ein. Beachten Sie dazu die in der Abbildung auf der nächsten Seite angegebenen Abstände (Werte in mm).

- Verwendete Oberflächen, synthetische Schichtstoffe und Klebstoffe müssen hitzeresistent sein (mindestens 100 °C).
- Küchenschränke müssen mit dem Produkt auf gleicher Höhe und gesichert sein.
- Falls sich eine Schublade unter dem Ofen befindet, muss ein Gestell zwischen Ofen und Schublade platziert werden.

WARNUNG: Installieren Sie das Produkt nicht neben Kühl- oder Tiefkühlgeräten. Die vom Produkt abgegebene Wärme erhöht den Energieverbrauch von Kühlgeräten.

WARNUNG: Transportieren oder verschieben Sie das Produkt nicht an der Tür und/oder am Griff.

Einbauofen (60 cm) installieren und montieren

Entscheiden Sie sich vor Beginn der Installation für einen Aufstellungsort. Das Produkt darf nicht an Orten installiert werden, die einem starken Luftstrom ausgesetzt sind.

Das Produkt muss von mindestens zwei Personen getragen werden. Ziehen Sie das Produkt nicht über den Boden, da dieser andernfalls beschädigt werden könnte.

Entfernen Sie alle Transportmaterialien inner- und außerhalb des Produktes. Entfernen Sie alle Materialien und Dokumente im Produkt.

Unter einer Arbeitsplatte installieren

Der Schrank muss mit den in abbildung 2 angegebenen Abmessungen übereinstimmen.

Im hinteren Bereich muss zur Gewährleistung der erforderlichen Belüftung wie abgebildet ein ausreichend großer Freiraum vorhanden sein.

Der Abstand zwischen dem unteren und oberen Teil der Arbeitsplatte nach der Montage wird mit „A“ in abbildung 5 angezeigt. Er dient der Belüftung und sollte nicht verdeckt werden.

In einem erhöhten Schrank installieren

Der Schrank muss mit den in abbildung 4 angegebenen Abmessungen übereinstimmen.

Im hinteren Teil des Schranks sowie im oberen und unteren Bereich müssen zur Gewährleistung der erforderlichen Belüftung wie abgebildet ausreichend große Freiräume vorhanden sein.

Installationsanforderungen

Die Produktabmessungen finden Sie in abbildung 3.

Möbelflächen zur Befestigung sowie Montagematerialien müssen eine Hitzebeständigkeit von mindestens 100 °C aufweisen.

Der Schrank muss gesichert sein und über einen ebenen Boden verfügen, damit das Produkt nicht umkippt.

Der Schrankboden muss ein Gewicht von mindestens 60 kg aushalten.

Ofen positionieren und befestigen

Positionieren Sie den Ofen im Schrank; dazu werden mindestens zwei Personen benötigt.

Stellen Sie sicher, dass der Rahmen des Ofens und die Vorderkante des Möbels bündig sind.

Das Netzkabel darf nicht unter dem Ofen oder zwischen Ofen und Möbel eingeklemmt bzw. übermäßig gebogen werden.

Befestigen Sie den Ofen mit den mitgelieferten Schrauben am Möbel. Die Schrauben müssen wie in Abbildung 5 gezeigt montiert werden; führen Sie sie dazu durch die am Rahmen des Produktes angebrachten Kunststoffteile. Die Schrauben dürfen nicht zu fest angezogen werden. Andernfalls könnten die Gewinde beschädigt werden.

Stellen Sie nach der Montage sicher, dass sich der Ofen nicht bewegt. Falls der Ofen nicht entsprechend den Anweisungen montiert wird, besteht die Gefahr, dass er während des Betriebs umkippt.

Elektrischer Anschluss

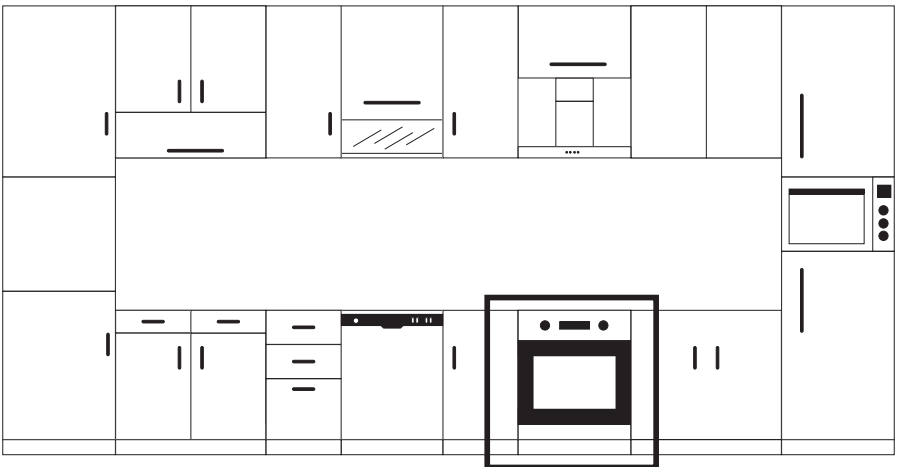
Der Aufstellungsort des Produktes muss über eine angemessene Elektroinstallation verfügen.

Die Netzspannung muss mit den am Typenschild des Produktes angegebenen Werten übereinstimmen.

Der Produktanschluss muss in Übereinstimmung mit den lokalen und nationalen elektrischen Anforderungen erfolgen.

Trennen Sie vor Beginn der Montage die Stromversorgung. Schließen Sie das Produkt erst nach Abschluss der Montage an.

Montage



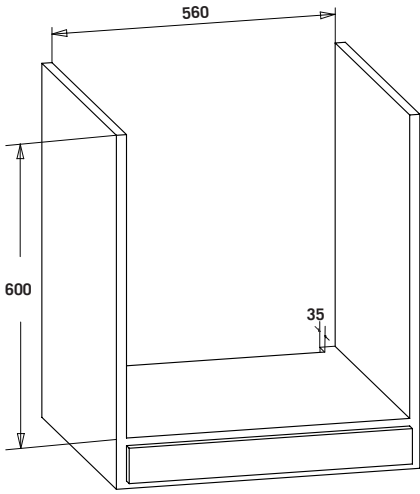


Abbildung 2

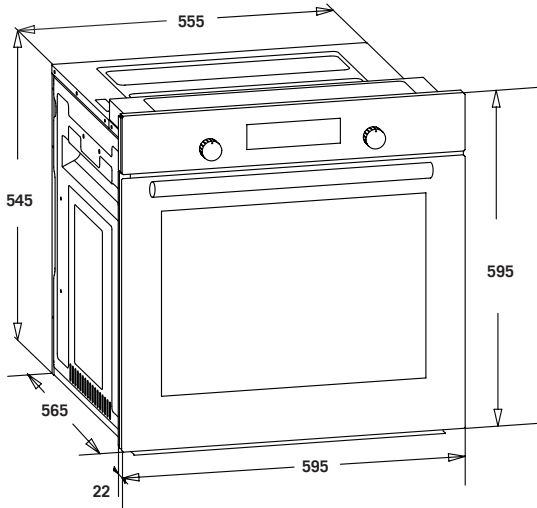
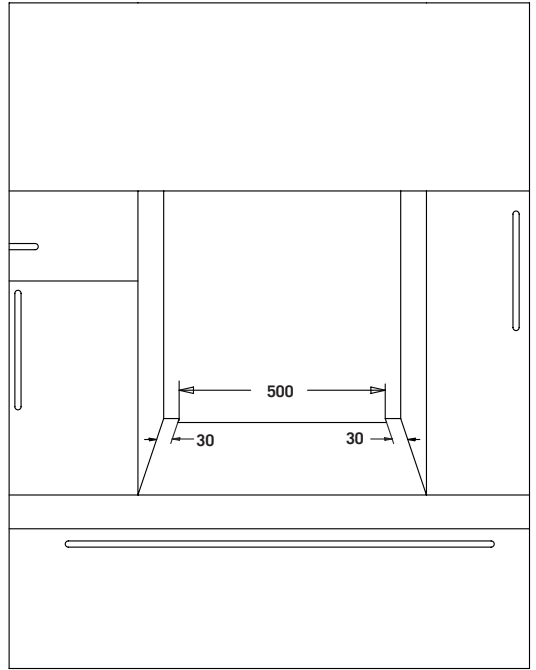


Abbildung 3

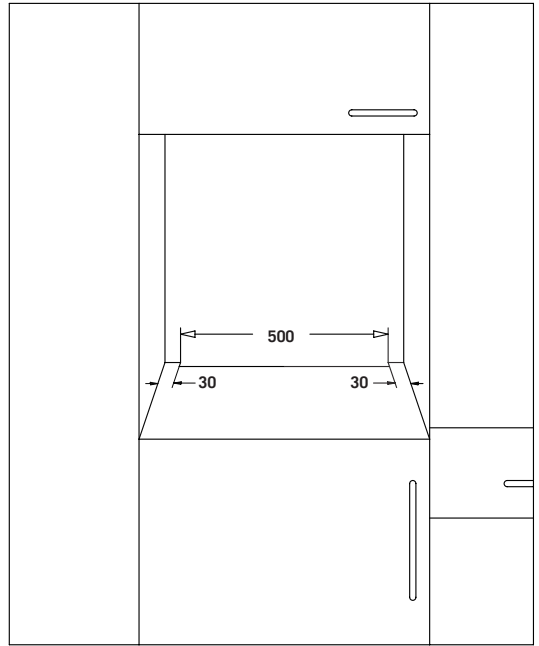
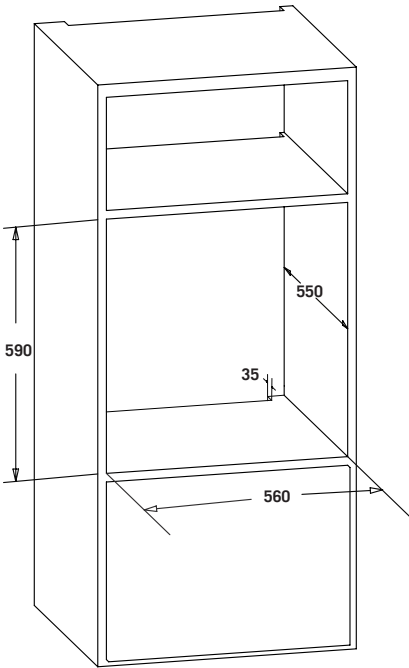
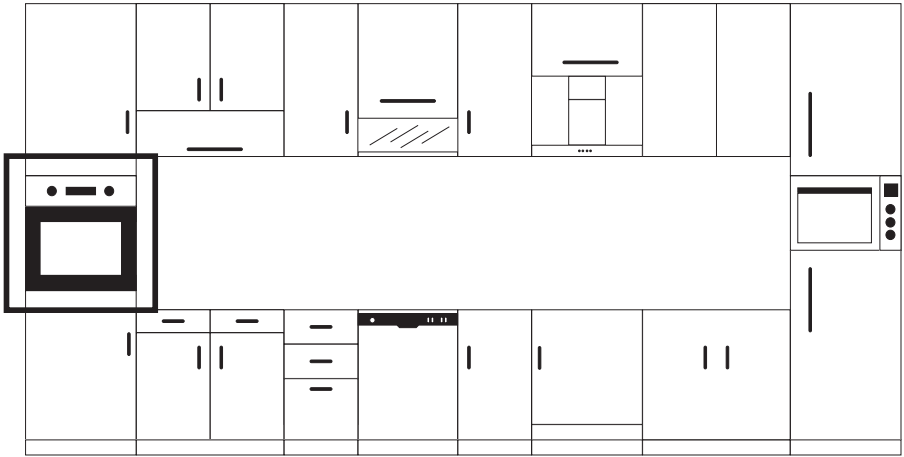


Abbildung 4

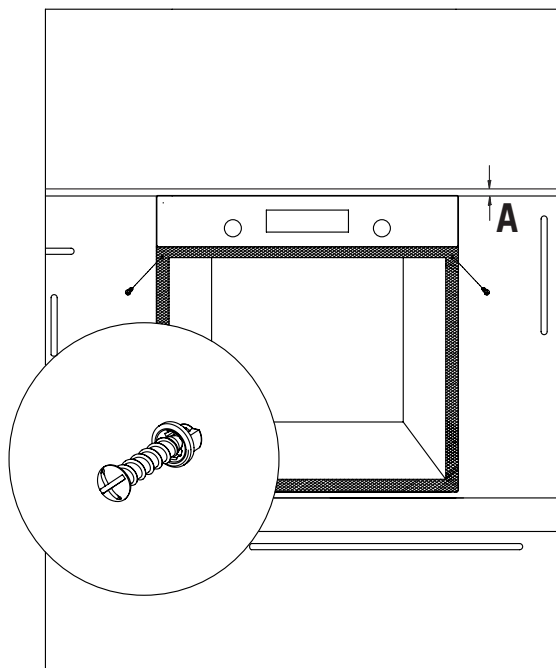
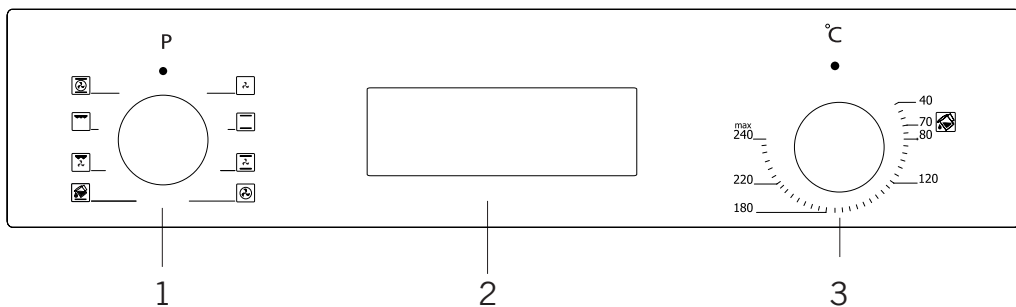


Abbildung 5

BEDIENFELD



1. Funktionstaste
2. Mechanischer oder digitaler timer
3. Thermostat

WARNUNG: Die obige Steuertafel dient nur zu Illustrationszwecken. Berücksichtigen Sie das Bedienfeld auf Ihrem Gerät.



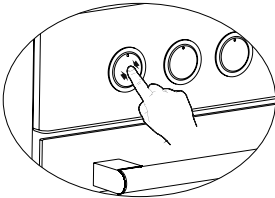
Thermostatknopf: Dient der Einstellung der Gartemperatur der im Ofen zuzubereitenden Lebensmittel. Stellen Sie die gewünschte Temperatur durch Drehen des Knopfes ein, nachdem Sie die Lebensmittel in den Ofen gegeben haben. Prüfen Sie die Zubereitungstabelle bezüglich der Gartemperaturen verschiedener Lebensmittel.



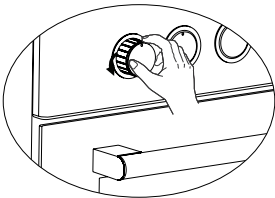
Mechanischer-Timer-Knopf *: Dient der Einstellung der Zeit für die im Ofen zuzubereitenden Lebensmittel. Nach Ablauf der eingestellten Zeit werden die Heizelemente ausgeschaltet und es ertönt ein Signal. Garzeiten entnehmen Sie bitte der Zubereitungstabelle.

Verwenden von Pop-up-Tasten *

Bei Modellen mit herauspringenden Knöpfen können Einstellungen erst vorgenommen werden, nachdem der jeweilige Knopf herausgesprungen ist.



Drücken Sie dazu wie in der Abbildung links gezeigt auf den jeweiligen Knopf.



Drehen Sie den herausgesprungenen Knopf zur Durchführung der erforderlichen Anpassungen nach rechts oder links.

OFEN VERWENDEN

Erste Inbetriebnahme des Ofens

Bitte befolgen Sie vor der ersten Benutzung Ihres Ofens die nachstehenden Anweisungen:

1. Entfernen Sie die im Ofen angebrachten Etiketten und Zubehörteile. Lösen Sie außerdem jegliche Schutzfolie an der Vorderseite des Gerätes, falls vorhanden.

2. Beseitigen Sie Staub und Verpackungsreste, indem Sie die Innenseite des Ofens mit einem feuchten Tuch abwischen. Das Innere des Ofens muss leer sein. Schließen Sie das Gerätekabel an eine Steckdose an.

3. Stellen Sie den Thermostatkopf auf die höchste Temperatur (max. 240 °C) ein und lassen Sie den Ofen 30 Minuten lang bei geschlossener Tür arbeiten. Dabei kann es zu einer schwachen Geruchs- und Rauchentwicklung kommen; dies ist völlig normal.

4. Wischen Sie die Innenseite des Ofens mit einem leicht mit warmem Wasser und einem Reinigungsmittel angefeuchteten Tuch aus, nachdem sich das Gerät abgekühlt hat; trocknen Sie die Flächen anschließend mit einem sauberen Tuch ab. Nun können Sie Ihren Ofen benutzen.

Normale Benutzung des Ofens

1. Stellen Sie zunächst über den Thermostatkopf die Temperatur ein, bei der Sie die Lebensmittel garen möchten.

2. Bei Modellen mit mechanischem Timer können Sie die Garzeit wie gewünscht über den Knopf einstellen. Sobald die eingestellte Zeit abgelaufen ist, schaltet das Gerät die Heizelemente aus und es ertönt ein Signal.

3. Bei Modellen mit digitalem Timer werden nach Ablauf der eingestellten Zeit die Heizelemente abgeschaltet und es ertönt ein Signal.

4. Das Kühlsystem des Gerätes arbeitet nach Abschluss der Zubereitung noch einige Zeit weiter. Unterbrechen Sie in diesem Fall nicht die Stromversorgung des Gerätes, da andernfalls auch die Kühlung unterbrochen wird. Nach Abschluss der Kühlung schaltet sich das System ab.

Verwendung Des Grills

1. Wenn Sie den Grill auf das obere Regal stellen, darf das Grillgut den Grill nicht berühren.
2. Sie können beim Grillen 5 Minuten lang vorheizen. Wenn nötig, können Sie das Essen auf den Kopf stellen.
3. Die Lebensmittel müssen in der Mitte des Grills sein, um einen maximalen Luftstrom durch den Backofen zu gewährleisten.

Um den Grill einzuschalten;

1. Platzieren Sie den Funktionsschalter über dem Grillsymbol.
2. Stellen Sie dann die gewünschte Grilltemperatur ein.

Um den Grill auszuschalten;

Stellen Sie die Funktionstaste auf die Position „Aus“.

WARNUNG: Halten Sie die Backofentür beim Grillen geschlossen.

Hühnchen-Bratfunktion Verwenden *

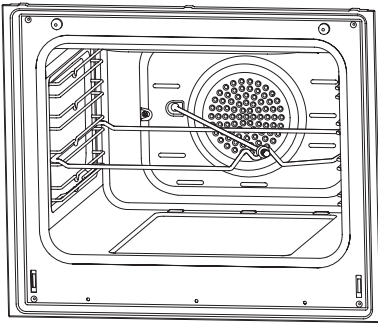
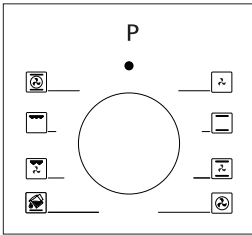


Abbildung 6

Platzieren sie den spieß am rahmen. Schieben sie den drehspießrahmen auf der gewünschten höhe in den ofen. Platzieren sie die tropfschale zum aufsammeln von fett durch den boden. Geben sie zur einfacheren reinigung etwas wasser in die tropfschale. Vergessen sie nicht, den kunststoffteil vom spieß zu entfernen. Schrauben sie den kunststoffgriff nach dem grillen auf den spieß und nehme sie das gericht aus dem ofen.

PROGRAMMTYPEN



Programmknopf: Dient der Festlegung der gewünschten Heizelemente, mit denen die Lebensmittel im Ofen gegart werden sollen. Nachstehend werden die Programmtypen und ihre Funktionen erläutert. Möglicherweise bietet nicht jedes Modell alle Heizelemente und damit auch nicht alle Programmtypen.

Nachstehend erfahren Sie mehr über die Programmtypen sowie wichtige Erläuterungen zu diesen, damit Sie verschiedene Lebensmittel ganz nach Geschmack zubereiten können.

	Unteres und oberes heizelement		Gebläse
	Unteres heizelement und gebläse		Turboheizelement und gebläse
	Grill und bratspieß		Unteres/oberes heizelement und gebläse
	Oberes heizelement und gebläse		Grill und gebläse
	Multifunktionsgaren (3D)		Grill
	Unteres heizelement		Oberes heizelement
	Kleiner grill und gebläse		Dampfreinigung

Unteres Heizelement: Wählen Sie dieses Programm gegen Ende der Zubereitung, wenn die Unterseite der Lebensmittel stärker gegart werden soll.

Oberes Heizelement: Zum Nachheizen oder Rösten kleiner Portionen.

Unteres und oberes Heizelement: Ein Programm zur Zubereitung von Speisen wie Kuchen, Pizza, Plätzchen und Keksen.

Unteres Heizelement und Gebläse: Dient vorwiegend der Zubereitung von Speisen, wie Früchtekuchen.

Unteres und oberes Heizelement und Gebläse: Das Programm eignet sich zur Zubereitung von Speisen, wie Kuchen, Trockenkuchen und Lasagne. Auch für unterschiedliche Fleischgerichte geeignet.

Grill: Das Grillelement dient dem Grillen von Fleisch, wie Steaks und Würstchen, und Fischgerichten. Beim Grillen sollte ein mit Wasser gefülltes Blech in den unteren Einschub eingeschoben werden.

Turboheizelement und Gebläse: Zum Backen und Braten geeignet. Bei diesem Programm können Sie mit geringerer Hitze als bei Oberhitze / Unterhitze garen, da die Hitze durch den Luftstrom direkt an die Speisen gelangt.

Grill und Gebläse: Für unterschiedliche Fleischgerichte geeignet. Vergessen Sie nicht, beim Grillen ein mit etwas Wasser gefülltes Blech im unteren Einschub zu platzieren.

Multifunktionsgaren (3D): Zum Backen und Braten geeignet. Oberes und unteres Heizelement sind in Betrieb, der Luftstrom sorgt für eine schnelle Hitzeübertragung. Geeignet zum Garen von Speisen, die ein einzelnes Blech und intensive Hitze erfordern.

ZUBEREITUNGSEMPFEHLUNGEN

Die nachstehende Tabelle enthält Informationen zu Lebensmittelarten, die wir in unseren Labors getestet und hinsichtlich ihrer Zubereitungswerte untersucht haben. Die Garzeiten hängen von der Netzspannung, den Speisen selbst, der Menge und der Temperatur ab. Eventuell gelingen Gerichte nicht ganz nach Ihrem Geschmack, wenn Sie sich eng an die Empfehlungen halten. Experimentieren Sie ein wenig mit unterschiedlichen Werten, bis die Speisen so schmecken, wie es sein soll.

WARNUNG: Der Ofen muss 7 bis 10 Minuten vorgeheizt werden, bevor Sie Lebensmittel hineingeben.

Zubereitungstabelle

MFA1-6..... :

Lebensmittel	Zubereitung funktion	Zubereitungs temperatur (°C)	Einschub	Zubereitungs zeit (min.)
Kuchen	Statisch / Statisch+gebläse	170-180	2-3	35-45
Kleine kuchen	Statisch / Turbo+ gebläse	170-180	2	25-30
Pastete	Statisch / Statik+gebläse	180-200	2	35-45
Feingebäck	Statisch	180-190	2	20-25
Kekse	Statisch	170-180	2	20-25
Apfelkuchen	Statisch / Turbo+ gebläse	180-190	1	50-70
Biskuitkuchen	Statisch	200/150*	2	20-25
Pizza	Statisch+ gebläse	180-200	3	20-30
Lasagne	Statisch	180-200	2-3	25-40
Schaumgebäck	Statisch	100	2	50
Grillhähnchen **	Grill+ gebläse	200-220	3	25-35
Gegrillter fisch **	Grill+ gebläse	200-220	3	25-35
Kalbsteak **	Grill+ gebläse	Max	4	15-20
Gegrilltes fleisch balls **	Grill+ gebläse	Max	4	20-25

MFA1-8..... :

Lebensmittel	Zubereitung funktion	Zubereitungs temperatur (°C)	Einschub	Zubereitungs zeit (min.)
Kuchen	Statisch / Statisch+gebläse	170-180	2-3	30-35
Kleine kuchen	Statisch / Turbo+ gebläse	170-180	2-3	25-30
Pastete	Statisch / Statisch+gebläse	180-200	2-3	30-35
Feingebäck	Statisch	180-190	2	25-30
Kekse	Statisch / Turbo+ gebläse	170-180	2-3	20-30
Apfelkuchen	Statisch / Turbo+ gebläse	180-190	2-3	40-50
Biskuitkuchen	Statisch / Turbo+ gebläse	200/150 *	2-3	25-30
Pizza	Statisch / Turbo+ unteres	180-200	3	20-30
Lasagne	Statisch	180-200	2-3	20-25
Schaumgebäck	Statisch / Untereres-oberes+ gebläse	100	2-3	60-70
Grillhähnchen **	Grill / Untereres-oberes+ gebläse	200-220	2-3	25-30
Gegrillter fisch **	Grill	190-200-220	3-4	20-25
Kalbsteak **	Grill	230	5	25-30
Gegrilltes fleisch balls **	Grill	230	5	20-35

* Nicht vorheizen. Die erste Hälfte der Garzeit sollte bei 200 °C, die zweite Hälfte bei 150 °C erfolgen.

** Lebensmittel müssen nach der Hälfte der Garzeit gewendet werden.

Backen mit Pizzastein

Wenn Sie mit Pizzastein backen, legen Sie den Pizzastein über den Rost und heizen Sie den Ofen im Pizza-Modus (Turbo + niedriger) 30 Minuten bei 230 °C vor. Nach dem Vorwärmen, ohne den Pizzastein zu entfernen, die Pizza mit der Schale darüber legen (keine Tiefkühlpizza) und 20-25 Minuten bei 180 °C backen. Sobald das Backen abgeschlossen ist, entfernen Sie die gebackene Pizza aus dem Ofen mit der Schale.

WARNUNG: Pizzastein nicht in einen vorgeheizten Ofen stellen.

WARNUNG: Nach dem Backen den heißen Pizzastein nicht entnehmen und auf kalte Flächen legen. Ansonsten kann der Pizzastein brechen.

WARNUNG: Setzen Sie den Pizzastein nicht der Feuchtigkeit aus.

Trocknen

Speisen	Kochfunktion	Kochen Temperatur (°C)	Grillrost	Koch- dauer (Stunden)
Geschnittene Banane	Umluft-Kochfunktionen	100	2	4-5
Geschnittene Äpfel	Umluft-Kochfunktionen	100	2	4-5
Geschnittene Orangen	Umluft-Kochfunktionen	100	2	4-5

WARNUNG: Je dünner die Scheiben, desto schneller ist die Trocknungszeit und das Aroma der Lebensmittel bleibt besser erhalten.

WARNUNG: Öffnen Sie die Backofentür erst, wenn der Trocknungsvorgang abgeschlossen ist.

WARNUNG: Das Trocknen sollte nur im Trocknungsblech erfolgen.

WARNUNG: Während des Trocknens nicht vorheizen.

WARTUNG UND REINIGUNG

1. Ziehen Sie den Netzstecker aus der Steckdose.
2. Reinigen Sie Innenteile, Blende, Bleche und andere Teile des Produktes nicht mit harten Utensilien, wie harten Bürsten, Stahlwolle oder Messern. Verwenden Sie keine scheuernden oder kratzenden Materialien oder Reinigungsmittel.
3. Reinigen Sie die Innenteile des Produktes mit einem mit Seife und Wasser angefeuchteten Tuch, anschließend Seifenreste beseitigen; trocknen Sie die Teile mit einem weichen Tuch ab.
4. Reinigen Sie Glasflächen mit speziellen Glasreinigern.
5. Reinigen Sie Ihr Produkt nicht mit Dampfreinigern.
6. Verwenden Sie zur Reinigung Ihres Produktes niemals Brennstoffe, wie Säure, Verdünner und Gas.
7. Reinigen Sie kein Teil des Produktes im Geschirrspüler.
8. Verwenden Sie bei hartnäckigen Verschmutzungen Kaliumstearat (Schmierseife).

Dampfreinigung *

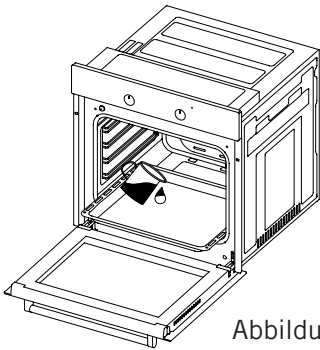


Abbildung 7

Durch den im Ofen erzeugten Dampf lassen sich hartnäckige Verschmutzungen aufweichen.

1. Entfernen Sie jegliches Zubehör aus dem Ofen.
2. Gießen Sie einen halben Liter Wasser in das Blech und platzieren Sie das Blech auf dem Ofenboden.
3. Stellen Sie den Schalter auf den Dampfreinigungsmodus ein.

4. Stellen Sie die Temperatur über den Thermostatknopf auf 70 °C ein und lassen Sie den Ofen 30 Minuten arbeiten.
5. Öffnen Sie nach 30-minütigem Betrieb die Ofentür und wischen Sie die Innenflächen mit einem feuchten Tuch ab.
6. Verwenden Sie bei hartnäckigen Verschmutzungen Spülmittel, warmes Wasser und ein weiches Tuch; trocknen Sie den gerade gereinigten Bereich anschließend mit einem trockenen Tuch ab.

Ofentür Reinigen Und Montieren



Abbildung 8

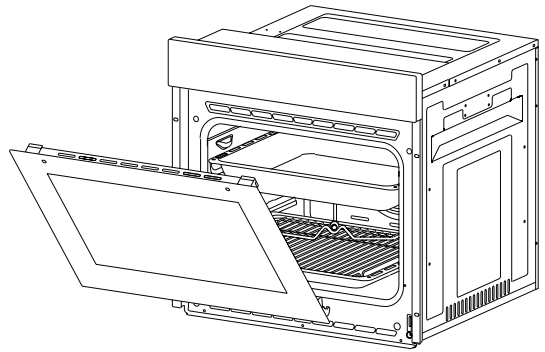


Abbildung 9

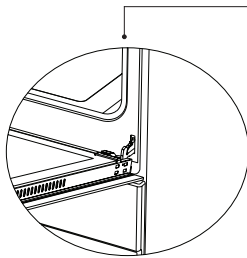


Abbildung 8.1

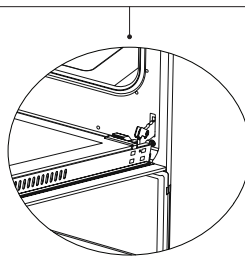


Abbildung 8.2

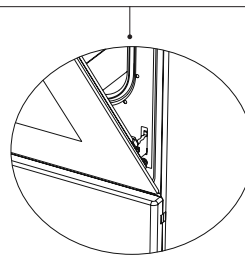


Abbildung 9.1

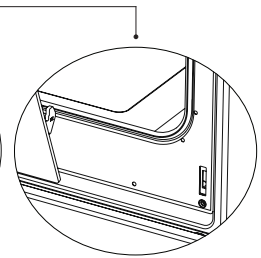


Abbildung 9.2

Öffnen Sie die Ofentür vollständig, indem Sie sie zu sich ziehen. Ziehen Sie den Scharnierverschluss zum Entriegeln mit Hilfe eines Schraubendrehers nach oben; beachten Sie dazu **Abbildung 8.1**.

Stellen Sie den Scharnierverschluss, wie in **Abbildung 8.2** gezeigt, auf den breitesten Winkel ein. Passen Sie beide Scharniere, die die Ofentür mit dem Ofen verbinden, auf die gleiche Position an.

Schließen Sie die geöffnete Ofentür anschließend, bis sie wie in **Abbildung 9.1** gezeigt mit dem Scharnierschluss in Kontakt steht.

Zum einfacheren Entfernen der Ofentür halten Sie die Abdeckung wie in **Abbildung 9.2** gezeigt mit beiden Händen, sobald sie sich fast in geschlossener Position befindet. Anschließend ziehen Sie sie nach oben weg.

Bringen Sie die Ofentür wieder an, indem Sie die Schritte zur Demontage in umgekehrter Reihenfolge befolgen.

Reinigung des Ofenglases

Ihr Produkt kann sich unterscheiden. Befolgen Sie den entsprechenden Schritt für Ihr Produkt.

1. Drücken Sie auf die Kunststoffverschlüsse links und rechts, wie in Abbildung 10 gezeigt und heben Sie das Profil an, indem Sie es wie in Abbildung 11 gezeigt zu sich ziehen. Das Glas wird frei, nachdem das Profil wie in Abbildung 12 gezeigt, entfernt wurde. Ziehen Sie das frei gewordene Glas vorsichtig zu sich heran. Wenn nötig, kann auf die gleiche Weise auch das mittlere Glas entfernt werden. Das äußere Glas ist am Ofentürprofil befestigt. Sie können die Gläser leicht reinigen, nachdem sie getrennt wurden. Sobald die Reinigung und Wartung abgeschlossen ist, können Sie die Gläser und das Profil austauschen, indem Sie den Entfernungsvorgang in umgekehrter Reihenfolge durchführen. Stellen Sie sicher, dass das Glas in der richtigen Richtung eingesetzt ist und das Profil richtig sitzt.



Abb. 10

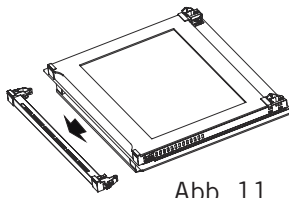


Abb. 11

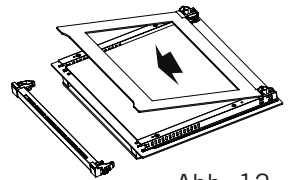


Abb. 12

2. Entfernen Sie die Schrauben an der linken und rechten Seite, wie in Abbildung 13 gezeigt. Entfernen Sie das Profil, indem Sie es in Ihre Richtung ziehen, wie in Abbildung 14 gezeigt. Das Glas wird frei, nachdem das Profil wie in Abbildung 15 gezeigt, entfernt wurde. Ziehen Sie das frei gewordene Glas vorsichtig zu sich heran. Wenn nötig, kann auf die gleiche Weise auch das mittlere Glas entfernt werden. Das äußere Glas ist am Ofentürprofil befestigt. Sie können das Glas leicht reinigen, nachdem es freigegeben wurde. Sobald die Reinigung und Wartung abgeschlossen ist, können Sie die Gläser und das Profil austauschen, indem Sie den Entfernungsvorgang in umgekehrter Reihenfolge durchführen. Stellen Sie sicher, dass das Glas in der richtigen Richtung eingesetzt ist und das Profil richtig sitzt.

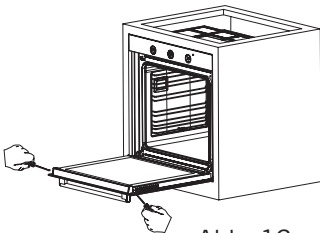


Abb. 13

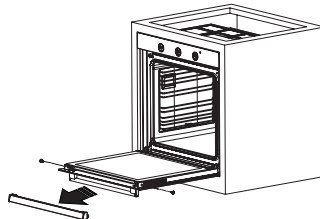


Abb. 14

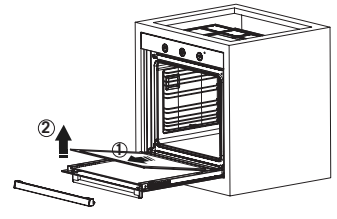


Abb. 15

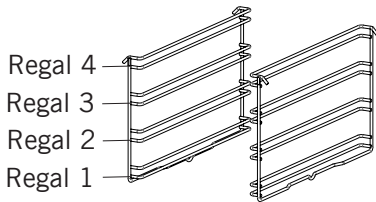
Katalytische Wände *

Die katalytischen wände befinden sich an der linken und rechten seite des garraums unter den schienen. Die katalytischen wände beseitigen unangenehme gerüche und sorgen für optimale leistung des gerätes. Außerdem absorbieren die katalytischen wände ölreste und reinigen ihren ofen im betrieb.

Die katalytischen Wände entfernen

Zum entfernen der katalytischen wände müssen die schienen herausgezogen werden. Sobald sie die schienen herausgezogen haben, werden die katalytischen wände automatisch gelöst. Die katalytischen wände müssen alle 2 bis 3 jahre ausgewechselt werden.

Regalposition



Es ist wichtig, den Drahtgrill richtig in den Backofen zu stellen. Vermeiden Sie, dass das Gitter die Rückwand des Backofens berührt. Regalpositionen sind in der nächsten Abbildung dargestellt. Sie können ein tiefes Fach oder ein Standardfach in die unteren und oberen Gitterregale legen.

Drahtgitter installieren und entfernen

Um die Drahtgitter zu entfernen, drücken Sie auf die in der Abbildung gezeigten Pfeile, entfernen Sie zuerst die untere und dann die obere Seite vom Installationsort. Um Drahtgitter zu installieren; Führen Sie den Vorgang zum Entfernen des Drahtgitters um.

Ofenbeleuchtung Auswechseln

WARNUNG: Stellen Sie zur Vermeidung von Stromschlägen sicher, dass der Geräteschaltkreis offen ist, bevor Sie das Leuchtmittel auswechseln. (Ein offener Schaltkreis bedeutet, dass die Stromversorgung unterbrochen ist)

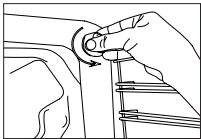
Trennen Sie zunächst die Stromversorgung des Gerätes und stellen Sie sicher, dass das Gerät abgekühlt ist.

Entfernen Sie den Glasschutz, indem Sie ihn wie links abgebildet drehen. Falls sich das Drehen als schwierig erweist, sollten Sie Kunststoffhandschuhe anziehen.

Drehen Sie dann die Lampe heraus; installieren Sie eine neue Lampe mit den gleichen Spezifikationen. Bringen Sie den Glasschutz wieder an und schließen Sie das.

Netz Kabel des Gerätes an eine Steckdose an; damit ist der Austausch abgeschlossen. Nun können Sie Ihren Ofen wieder benutzen.

Typ G9 Lampe



220-240 V, AC
15-25 W

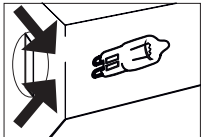
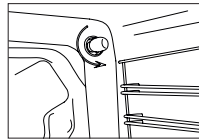


Abbildung 16

Typ E14 Lampe



220-240 V, AC
15 W



Abbildung 17

WARNUNG: Dieses Produkt enthält ein Leuchtmittel der Energieeffizienzklasse G.

FEHLERBEHEBUNG

Sie können die Probleme, die bei Ihrem Produkt auftreten können, beheben, indem Sie die folgenden Punkte überprüfen, bevor Sie den technischen Service anrufen.

Prüfpunkte

Wenn Sie ein Problem mit dem Backfen haben, prüfen Sie zuerst die Tabelle unten und probieren Sie die Vorschläge aus.

Problem	Mögliche Ursache	Was ist zu tun
Backofen funktioniert nicht.	Stromversorgung nicht verfügbar.	Auf Stromversorgung prüfen.
Backofen stoppt während des Kochens.	Der Stecker hat sich von der Steckdose getrennt.	Stecken Sie den Stecker wieder in die Steckdose ein.
Schaltet während des Kochens aus.	Zu langer Dauerbetrieb.	Lassen Sie den Backofen nach langen Garzyklen abkühlen.
	Kühllüfter läuft nicht.	Hören Sie den Ton vom Kühllüfter.
	Ofen nicht an einem Ort mit guter Belüftung installiert.	Sicherstellen, dass die in der Bedienungsanleitung angegebenen Abstände eingehalten werden.
	Mehr als ein Stecker in einer Steckdose.	Verwenden Sie nur einen Stecker für jede Steckdose.
Die Außenfläche des Ofens erhitzt sich bei der Benutzung stark.	Ofen nicht an einem Ort mit guter Belüftung installiert.	Sicherstellen, dass die in der Bedienungsanleitung angegebenen Abstände eingehalten werden.
Backofentür öffnet nicht richtig.	Essensreste klemmen zwischen der Tür und der inneren Höhle.	Den Ofen gut reinigen und versuchen die Tür wieder zu öffnen.
Das interne Licht ist schwach oder funktioniert nicht.	Fremder Gegenstand bedeckt die Lampe während des Kochens.	Reinigen Sie die Innenfläche des Backofens und überprüfen Sie erneut.
	Die Lampe ist möglicherweise defekt.	Ersetzen Sie durch eine Lampe mit den gleichen Spezifikationen.
Stromschlag beim Berühren des Backofens.	Keine ordnungsgemäße Erdung.	Stellen Sie sicher, dass die Stromversorgung ordnungsgemäß geerdet ist.
	Es wird eine nicht geerdete Steckdose verwendet.	

Problem	Mögliche Ursache	Was ist zu tun
Wasser tropft.	Je nach Art des Garguts können unter bestimmten Bedingungen Wasser oder Dampf entstehen. Dies ist kein Fehler des Geräts.	Lassen Sie den Backofen abkühlen und wischen Sie es mit einem Tuch ab.
Aus einem Spalt an der Backofentür kommt Dampf heraus.		
Wasser bleibt im Backofen.		
Der Kühllüfter läuft nach dem Kochen weiter.	Der Lüfter wird für die Belüftung des inneren Hohlraums des Ofens für eine bestimmte Zeit betrieben.	Dies ist kein Fehler des Geräts. Daher müssen Sie sich keine Sorgen machen.
Ofen erhitzt sich nicht.	Backofentür ist offen.	Schließen Sie die Tür und starten Sie ihn erneut.
	Backofensteuerungen nicht richtig eingestellt.	Lesen Sie den Abschnitt über den Betrieb des Backofens und setzen Sie den Backofen zurück.
	Sicherung ausgelöst oder Schutzschalter ausgeschaltet.	Ersetzen Sie die Sicherung oder setzen Sie den Leistungsschalter zurück. Wenn sich dies häufig wiederholt, wenden Sie sich an einen Elektriker.
Während des Betriebs kommt Rauch	Wenn Sie den Backofen zum ersten Mal benutzen.	Rauch kommt aus den Heizern. Dies ist kein Fehler. Nach 2-3 Zyklen wird es keinen Rauch mehr geben.
	Essen auf dem Heizer.	Lassen Sie den Backofen abkühlen und reinigen Sie Speisereste vom Boden des Ofens und der Oberfläche der oberen Heizung.
Bei Betrieb des Backofens Brand- oder Kunststoffgeruch aus.	Im Backofen werden Kunststoff oder andere nicht hitzebeständige Zubehörteile verwendet.	Verwenden Sie bei hohen Temperaturen geeignetes Zubehör für Glaswaren.
Backofen kocht nicht gut.	Die Ofentür wird während des Kochens häufig geöffnet.	Öffnen Sie die Backofentür nicht häufig, wenn das Gargut nicht gedreht werden muss. Wenn Sie die Tür öfters öffnen, sinkt die Innentemperatur und das Kochergebnis wird beeinflusst.

HANDHABUNGSREGELN

1. Verwenden Sie die Tür und/oder den Griff nicht, um das Gerät zu tragen oder zu bewegen.
2. Führen Sie das Tragen und den Transport in der Originalverpackung durch.
3. Achten Sie während des Ladens/Entladens und der Handhabung auf das Gerät.
4. Stellen Sie sicher, dass die Verpackung während der Handhabung und des Transports sicher verschlossen ist.
5. Vor äußeren Einflüssen (wie Feuchtigkeit, Wasser usw.) schützen, die die Verpackung beschädigen können.
6. Achten Sie darauf, dass das Gerät während der Handhabung und des Transports nicht durch Stöße, Stürze usw. und während des Betriebs nicht beschädigt wird.

EMPFEHLUNGEN ZUR ENERGIESPARUNG

Die folgenden Angaben helfen Ihnen, Ihr Produkt ökologisch und ökonomisch zu nutzen.

1. Verwenden Sie dunkle Gefäße und Emailbehälter, die die Hitze im Backofen besser leiten.
2. Wenn Sie in der Rezeptur oder in der Bedienungsanleitung angeben, dass ein Vorheizen erforderlich ist, heizen Sie den Backofen vor.
3. Öffnen Sie die Ofentür während des Kochens nicht häufig.
4. Versuchen Sie nicht mehrere Gerichte gleichzeitig im Backofen zu garen. Sie können gleichzeitig kochen, indem Sie zwei Kocher auf das Drahtgitter platzieren.
5. Mehrere Gerichte nacheinander kochen. Der Backofen wird keine Wärme verlieren.
6. Schalten Sie den Backofen einige Minuten vor Ablauf der Garzeit aus. Öffnen Sie in diesem Fall die Backofen tür nicht.
7. Gefriergut vor dem Garen auftauen.

UMWELTGERECHTE ENTSORGUNG



Bitte entsorgen sie verpackungen auf umweltfreundliche weise.

Dieses Gerät ist gemäß der Europäischen Richtlinie 2012/19/EU in Bezug auf gebrauchte elektrische und elektronische Geräte (Elektro-und Elektronik-Altgeräte -WEEE) gekennzeichnet. Die Richtlinie bestimmt den Gesetzesrahmen für die Rücknahme und Wiederverwertung von Altgeräten in der EU.

VERPACKUNGSINFORMATIONEN

Die verpackungsmaterialien des gerätes wurden gemäß nationalen umweltschutzbestimmungen aus recyclingfähigen materialien Hergestellt. Entsorgen sie verpackungsmaterialien nicht über den Haus- oder anderen müll. Bringen sie sie zu den von örtlichen behörden zugewiesenen sammelstellen für verpackungsmaterialien.