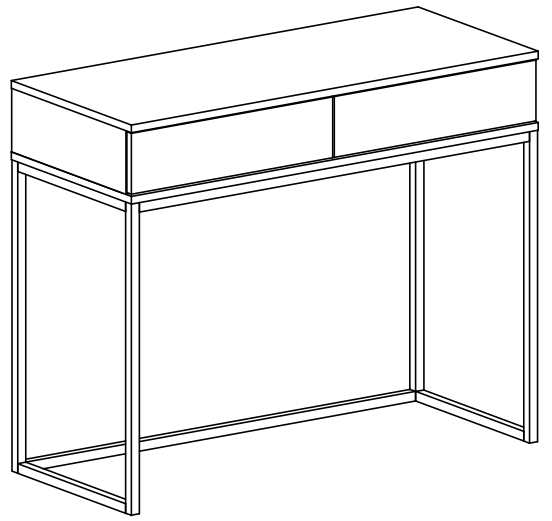
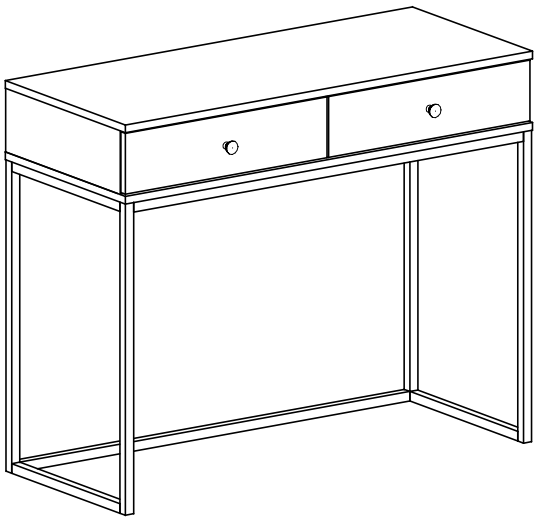
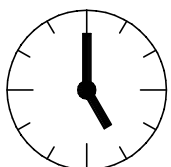
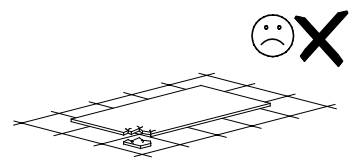
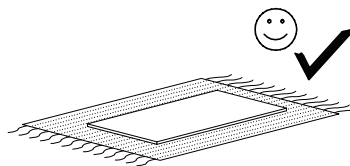
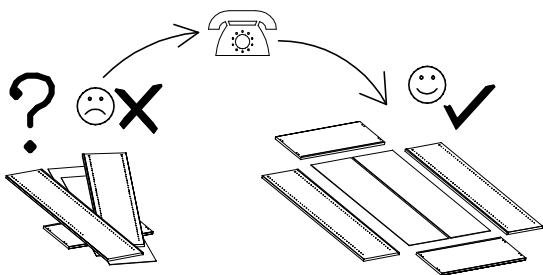
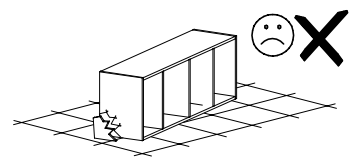
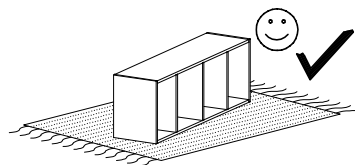
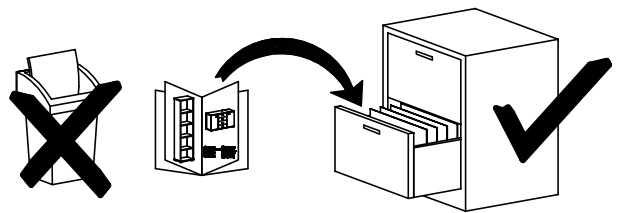
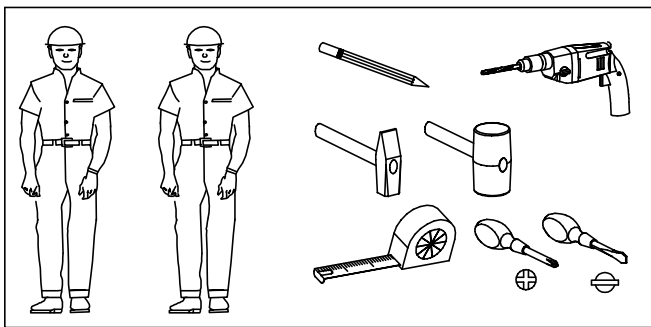


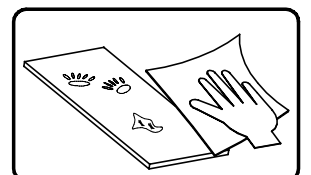
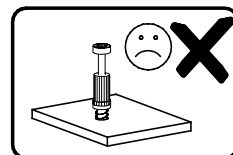
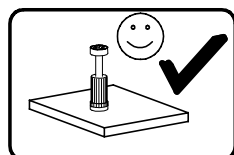
GLAMOUR – table



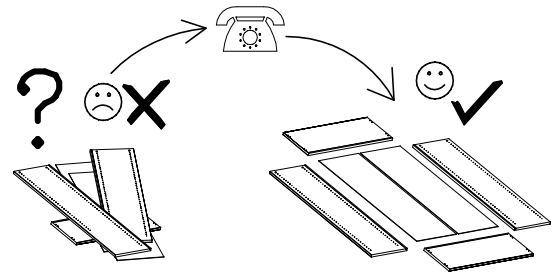
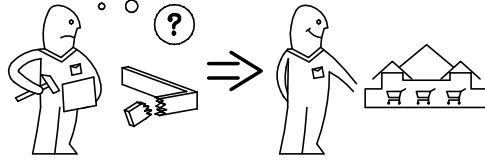
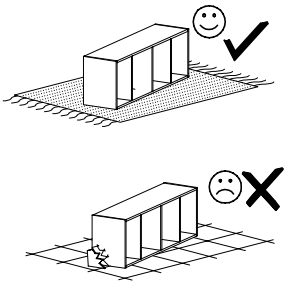
PUSH



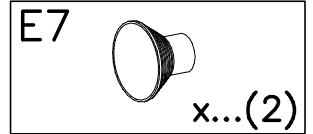
1,5h



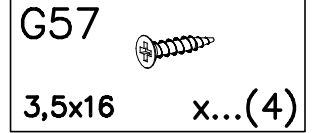
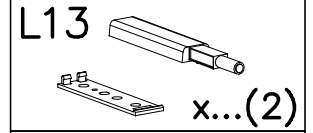
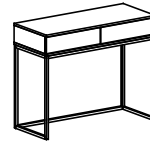
GLAMOUR – table



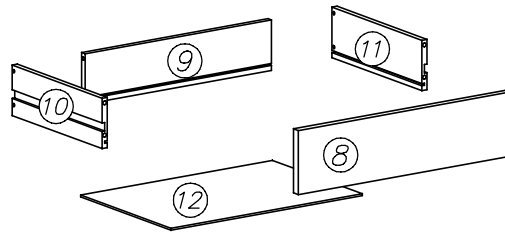
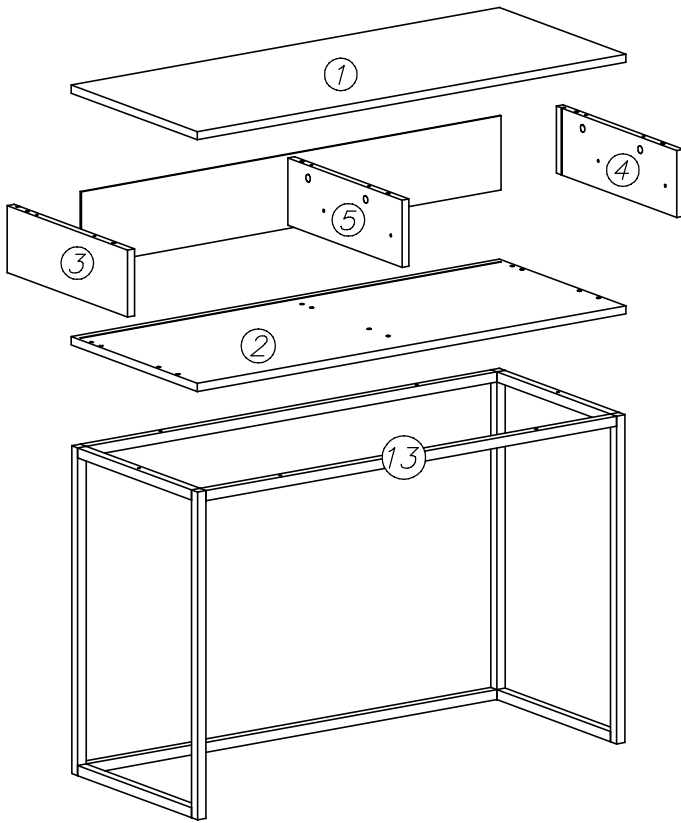
OPCJA A

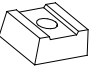

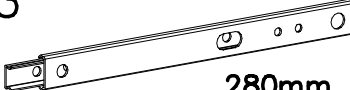


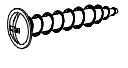
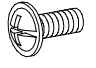
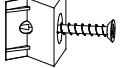
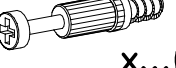

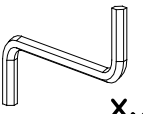
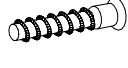



OPCJA B



PUSH

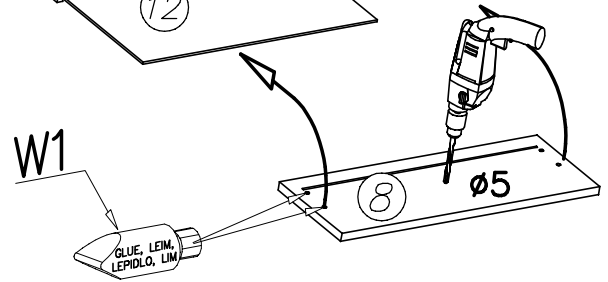
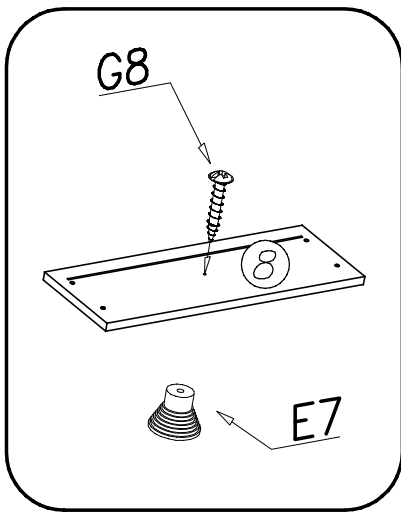
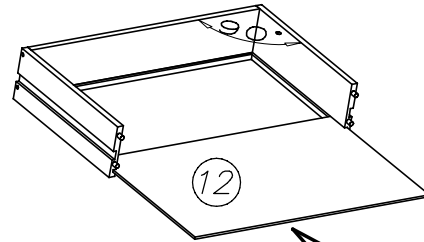
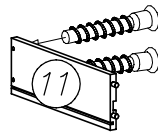
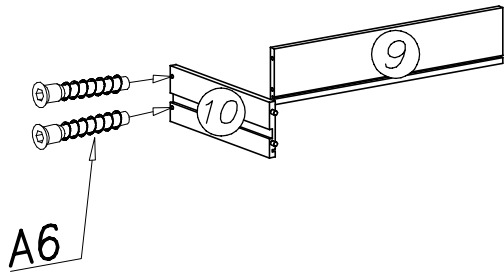
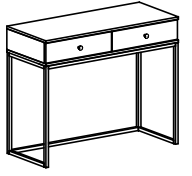


I22  x...(4)	G49  6x20 x...(4)	H3  280mm x...(4)	G50  6x13 x...(4)
K1  Ø15x12 x...(6)	G8  4x30 x...(8)	N1  M4x9 x...(4)	I1  x...(4)
K10  x...(6)	B1  Ø8x35 x...(20)	W2  x...(1)	A6  Ø7x40 x...(8)
			A1  Ø7x50 x...(6)

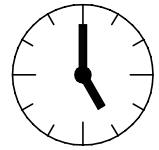
GLUE, LEIM, LEPIDLO, LIM

I

OPCJA A

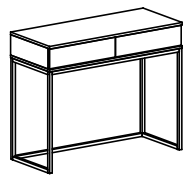


0,5h

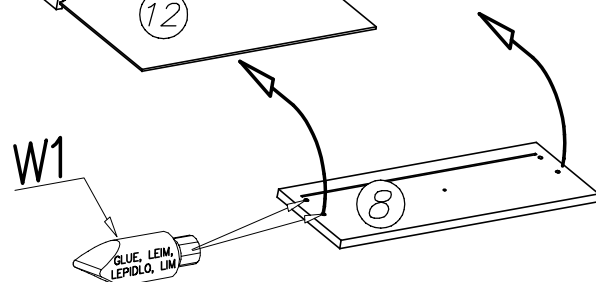
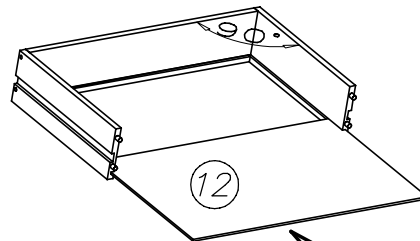
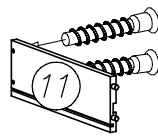
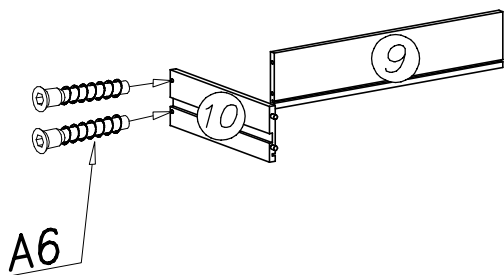


II

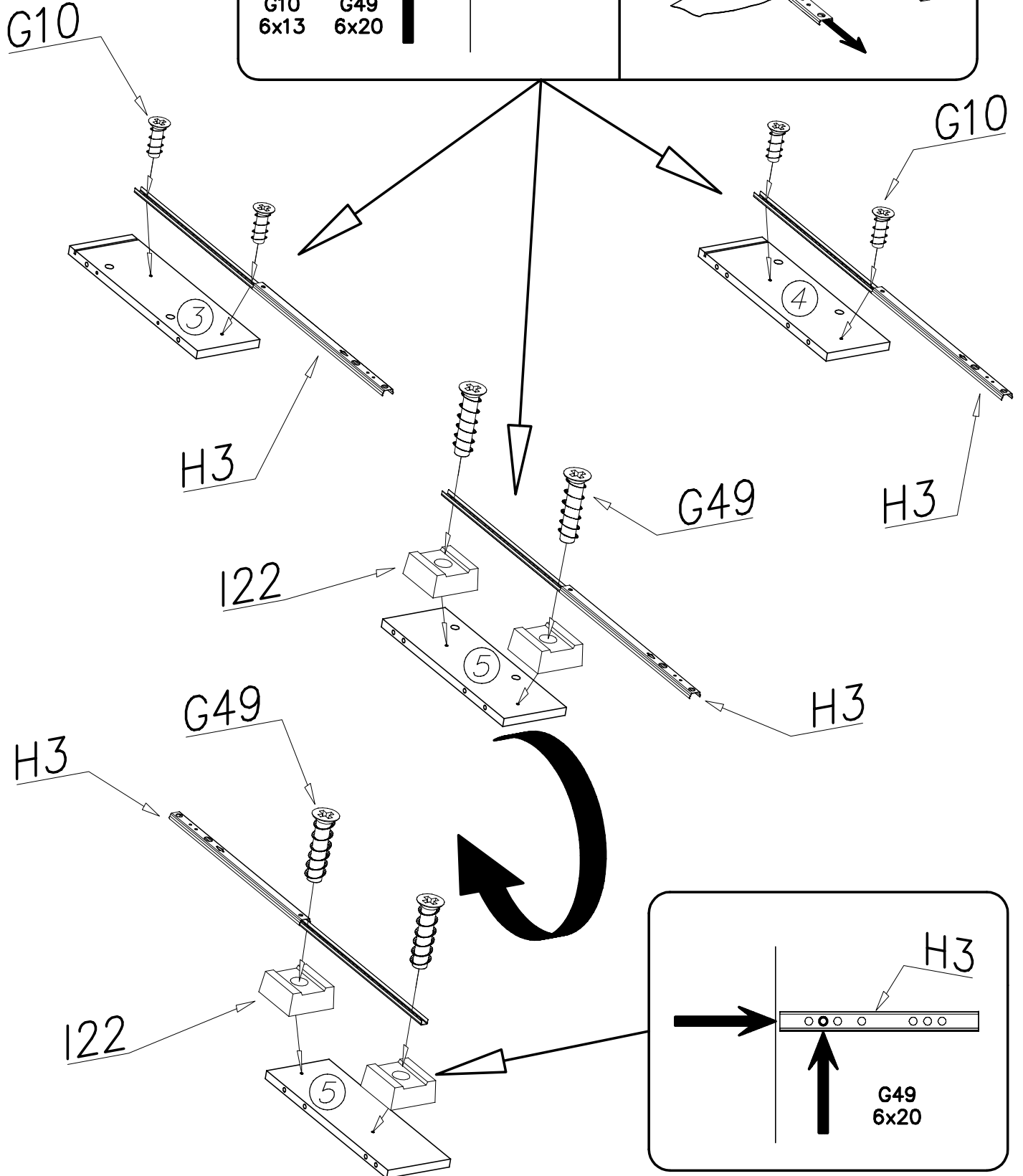
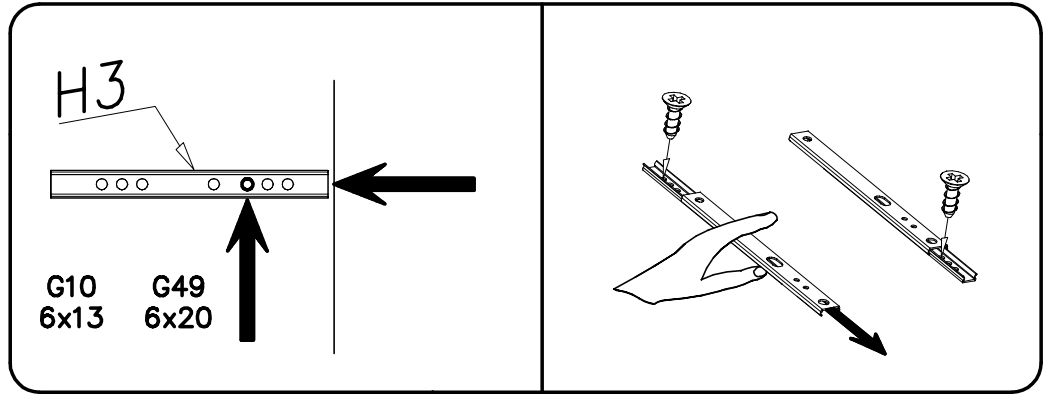
OPCJA B



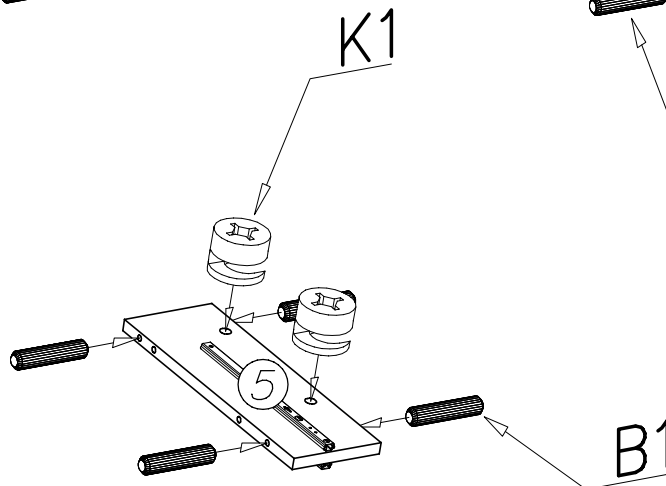
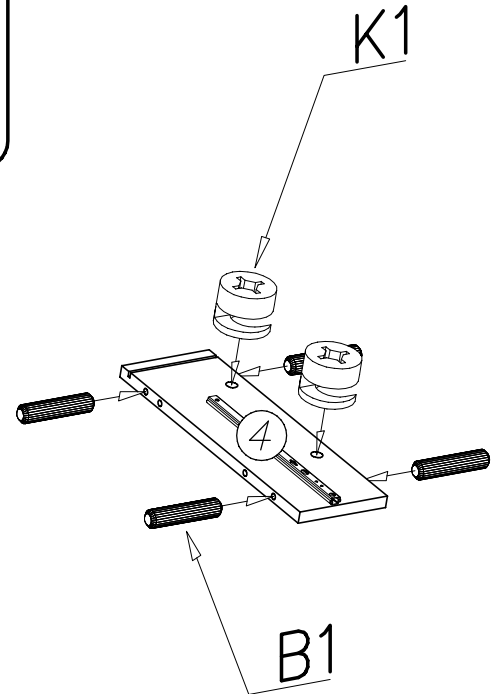
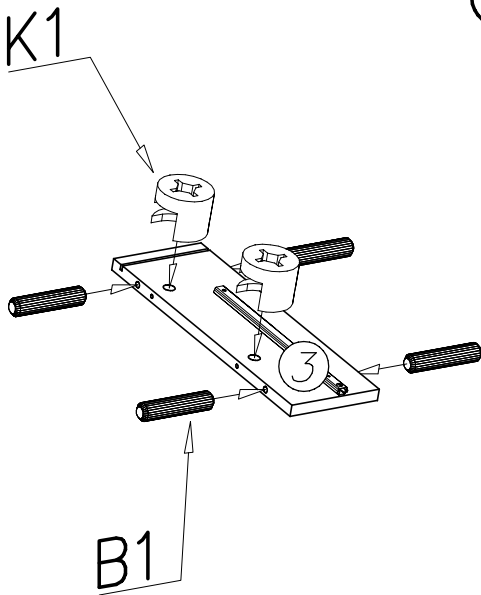
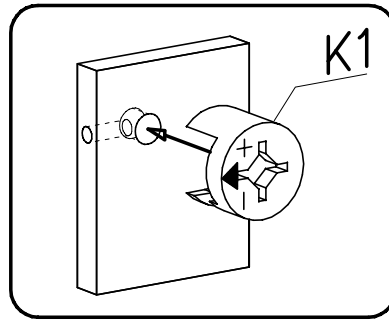
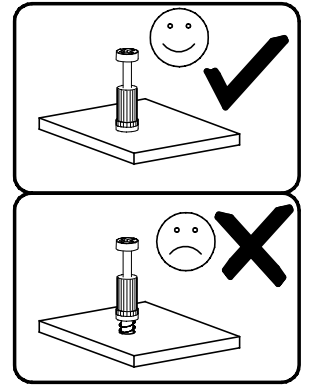
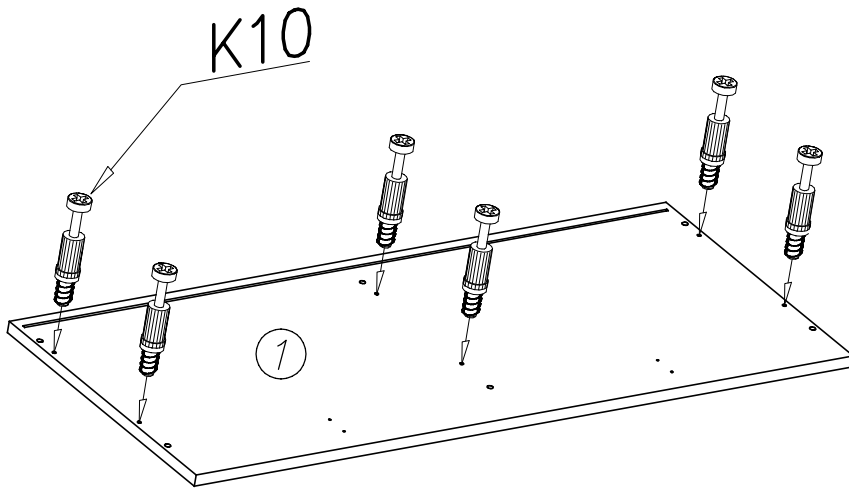
PUSH



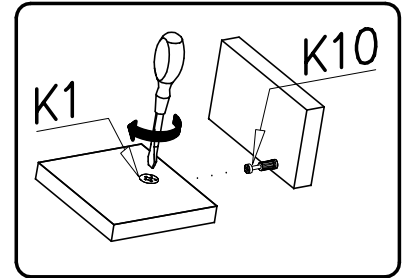
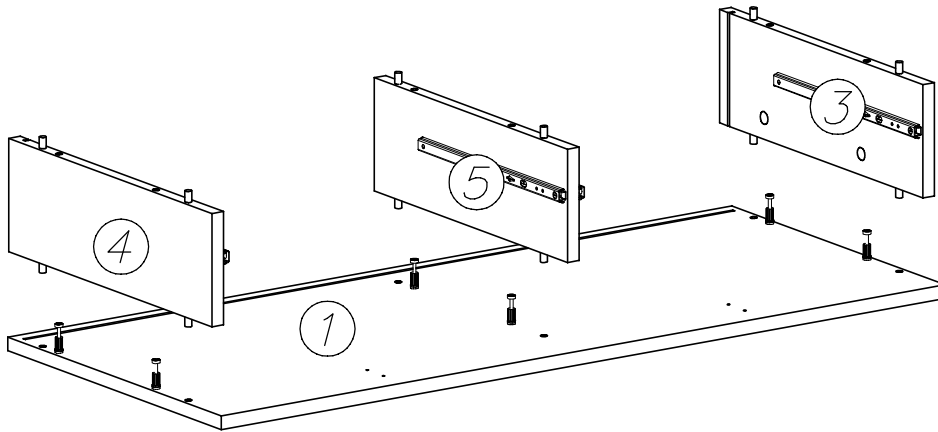
III



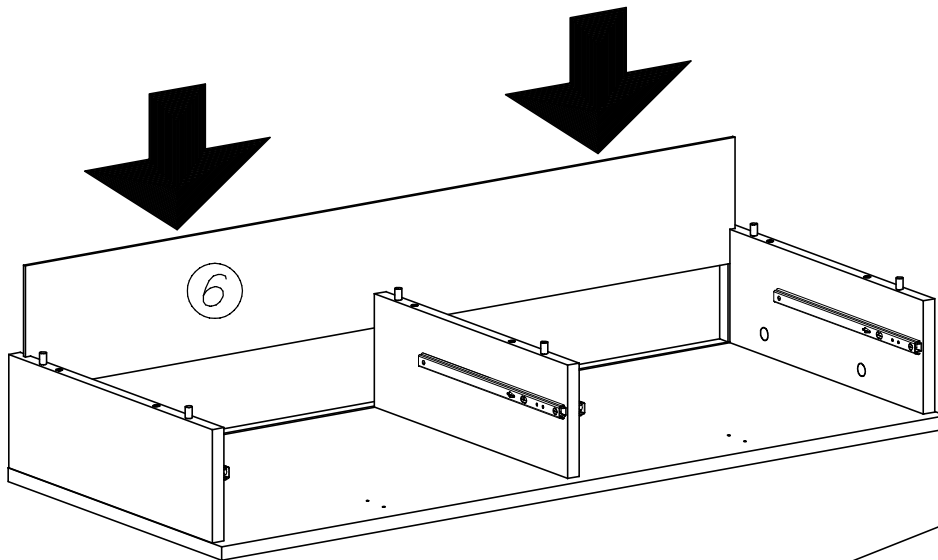
IV



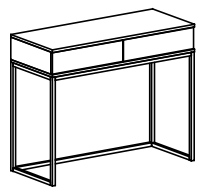
V



VI

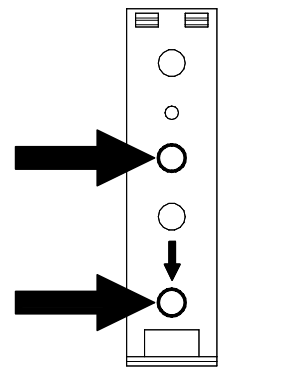
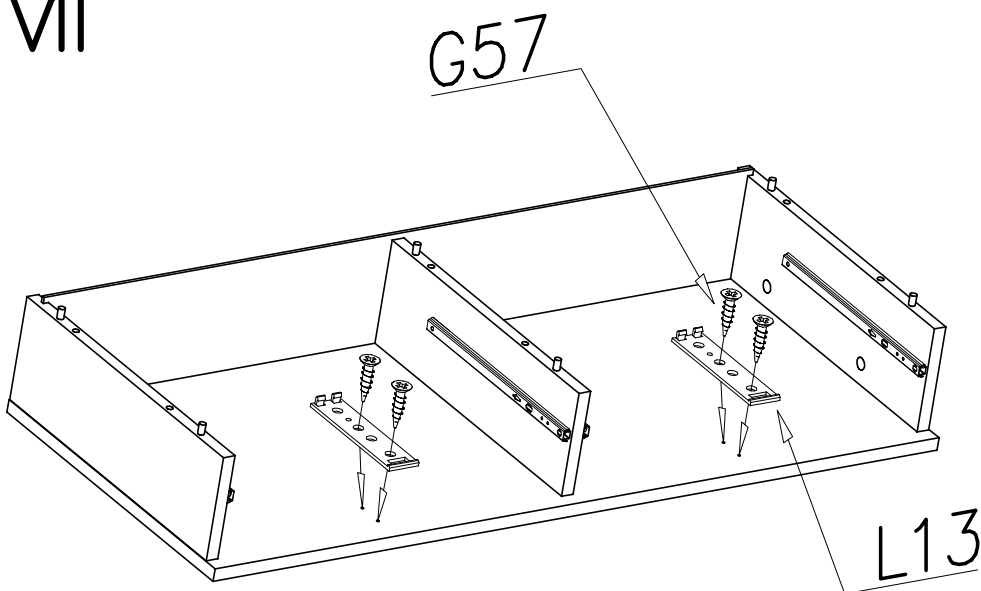


OPCJA B



PUSH

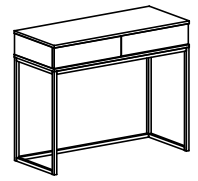
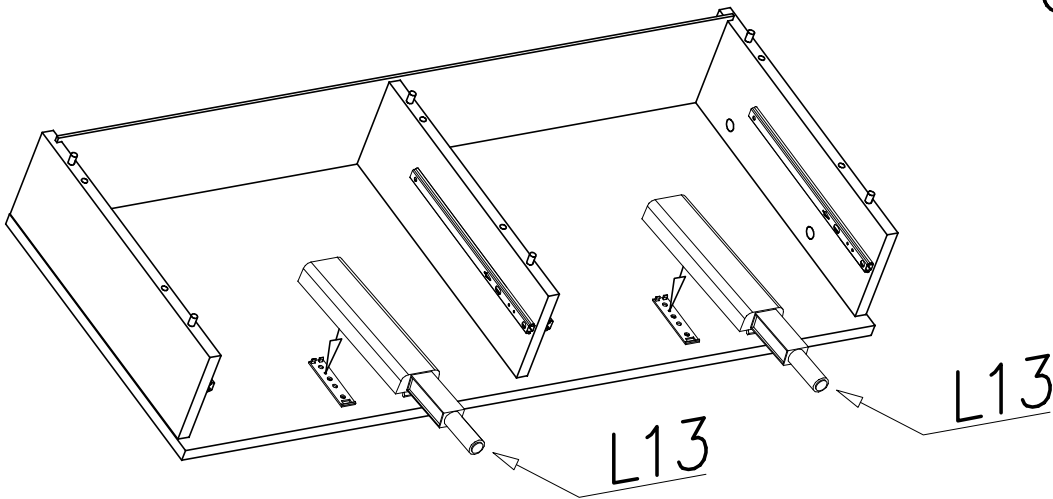
VII



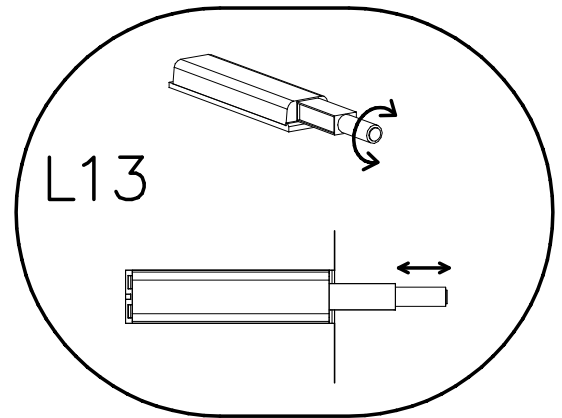
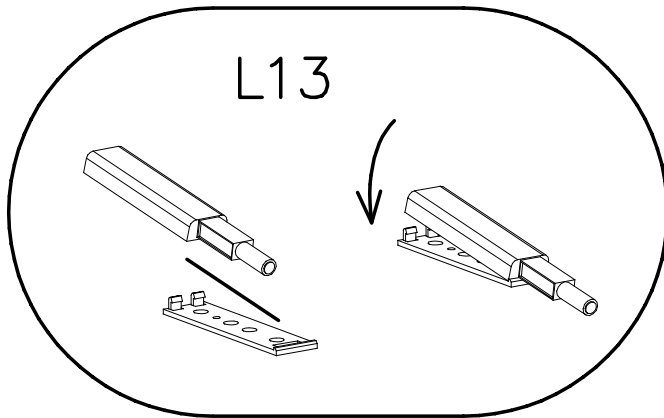
front

VIII

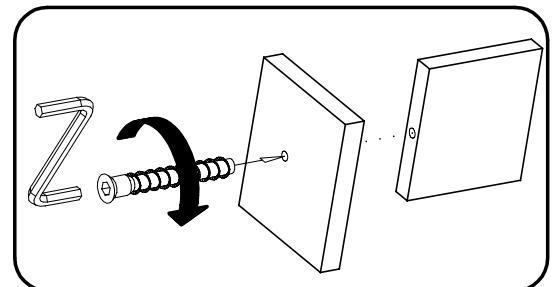
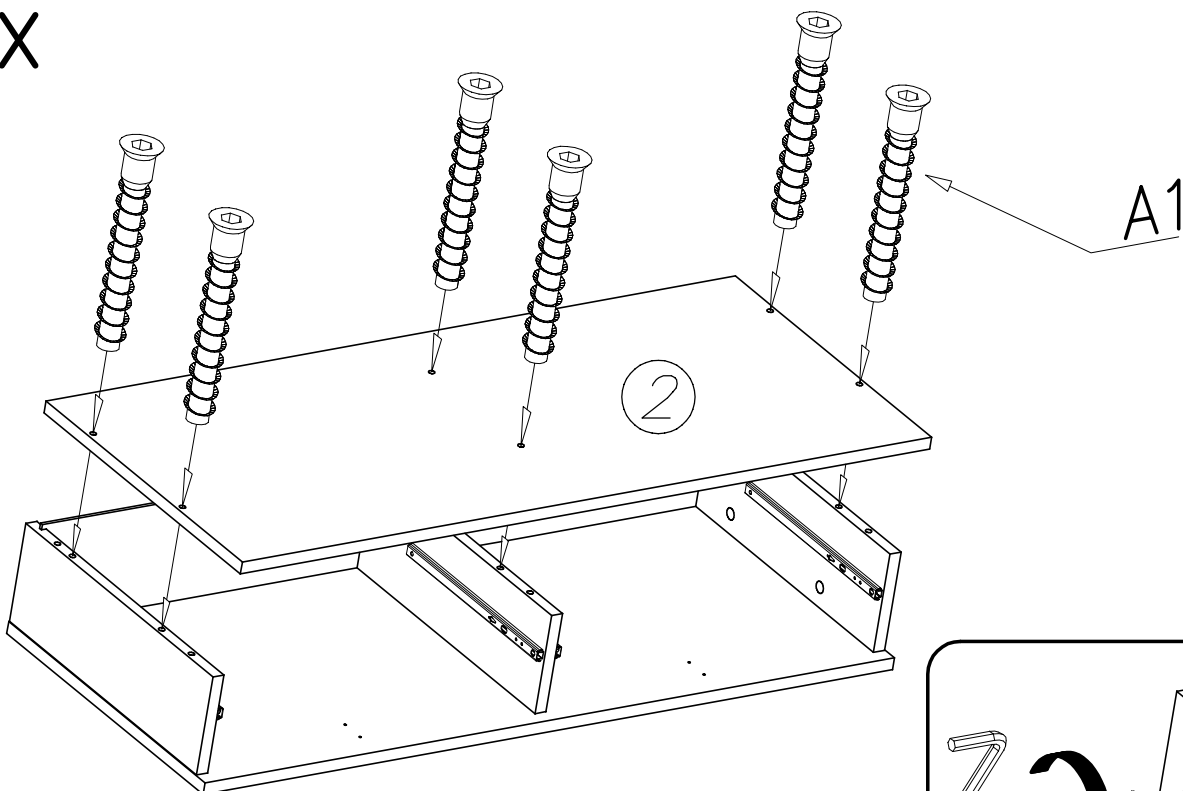
OPCJA B



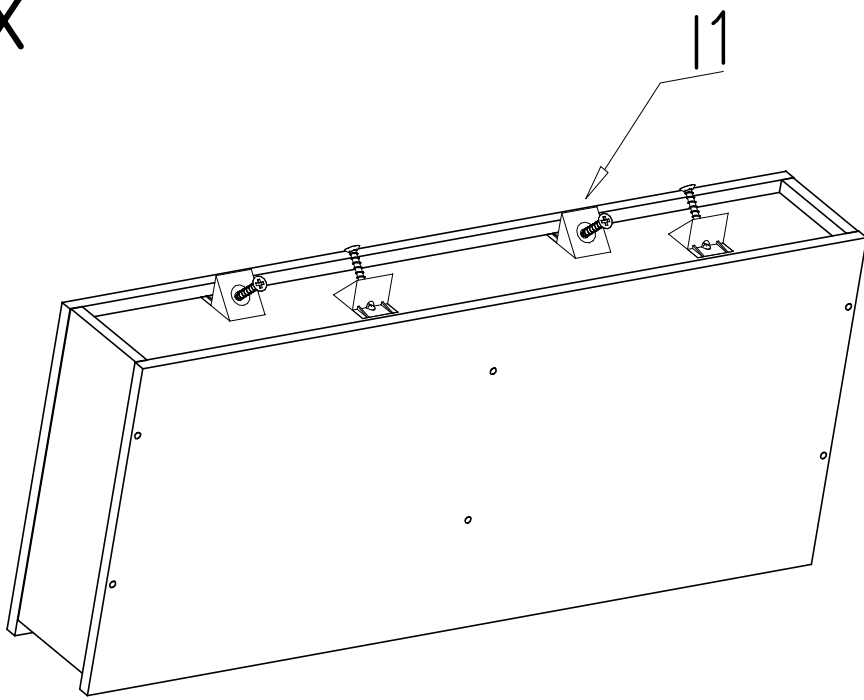
PUSH



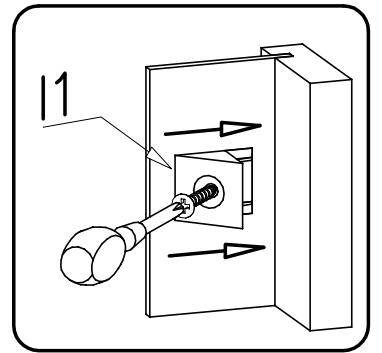
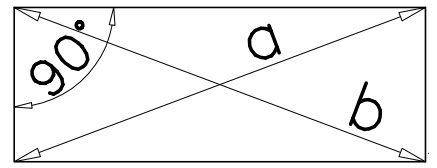
IX



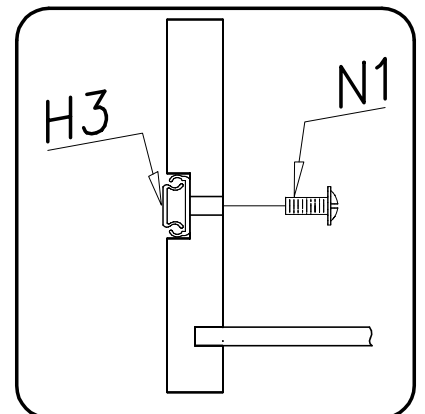
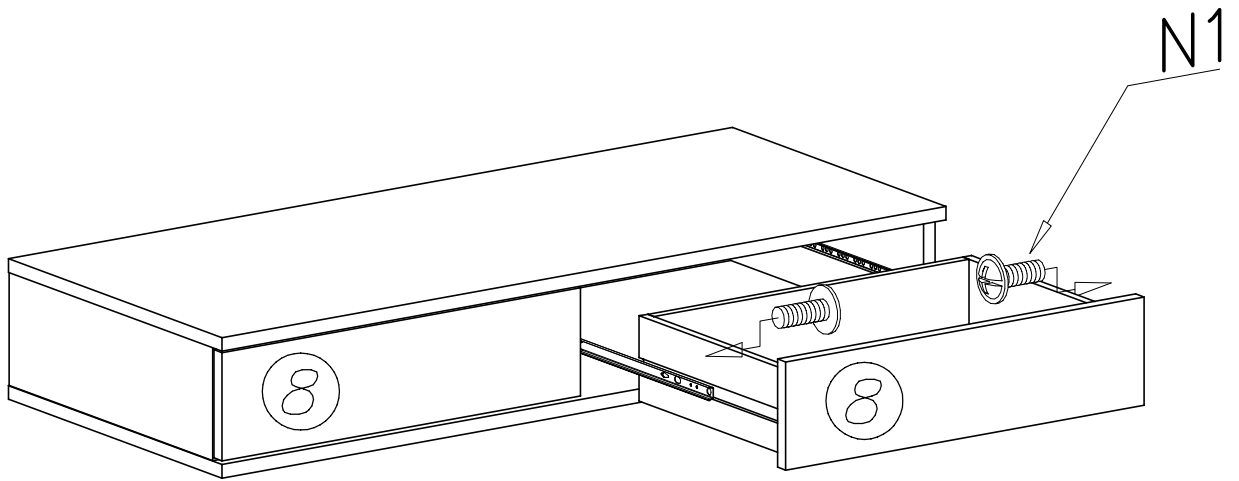
X



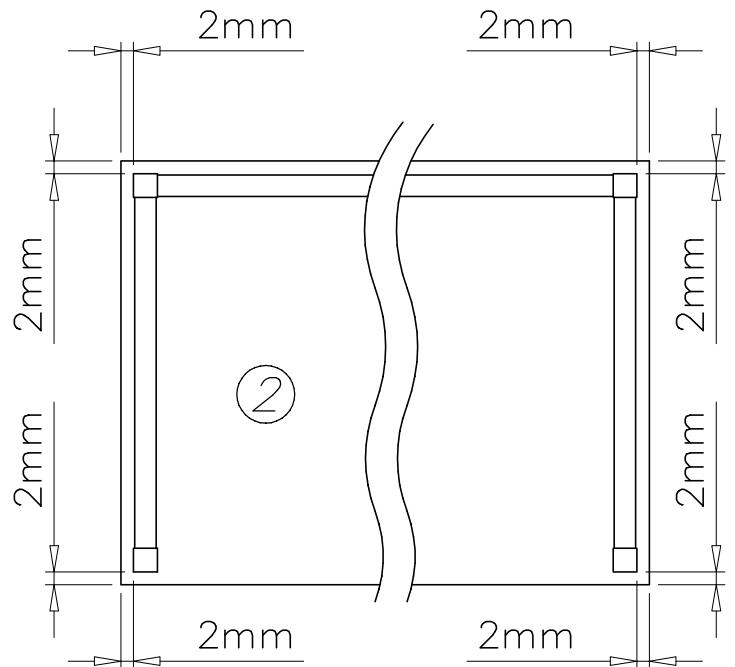
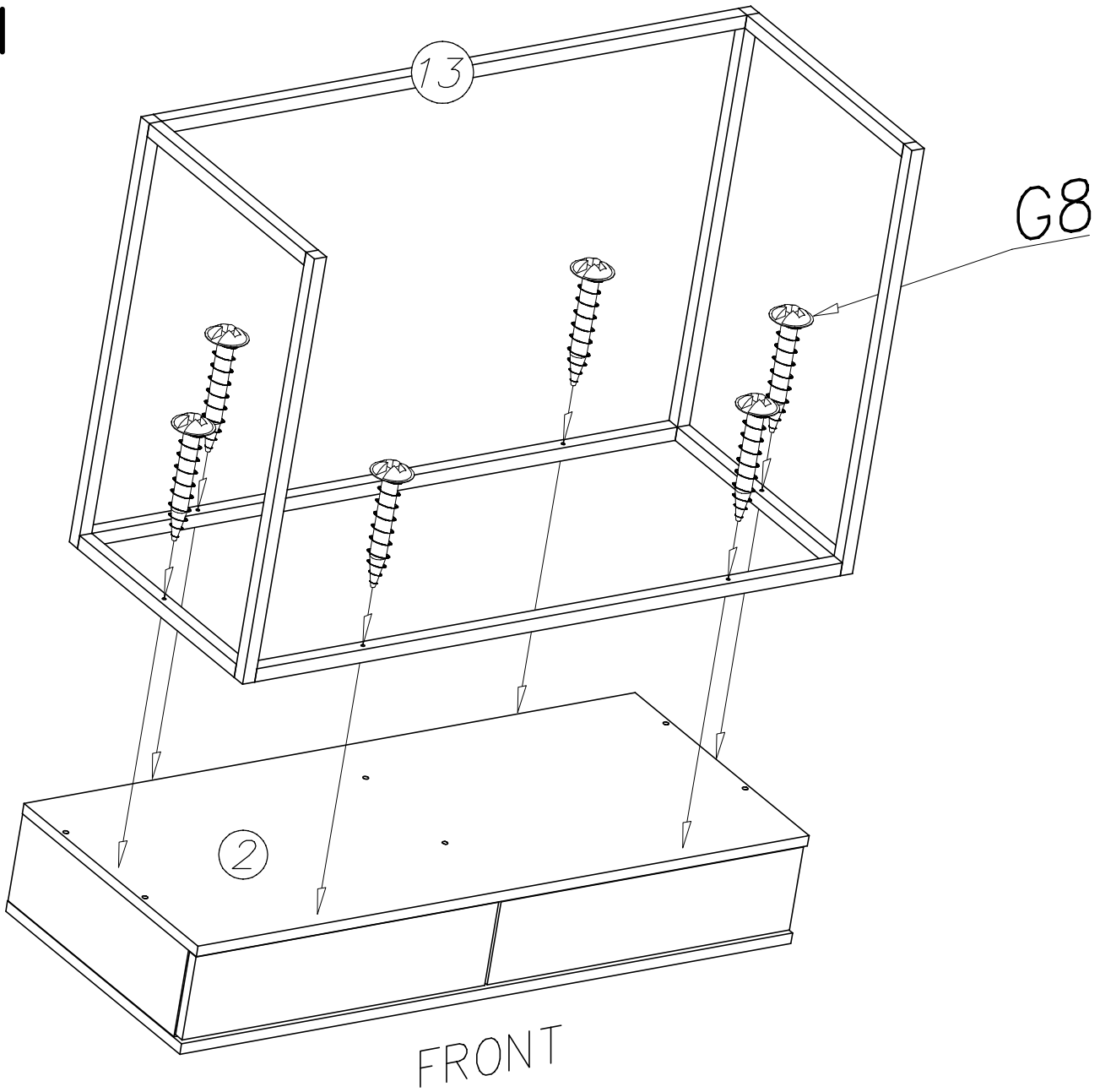
$a=b$

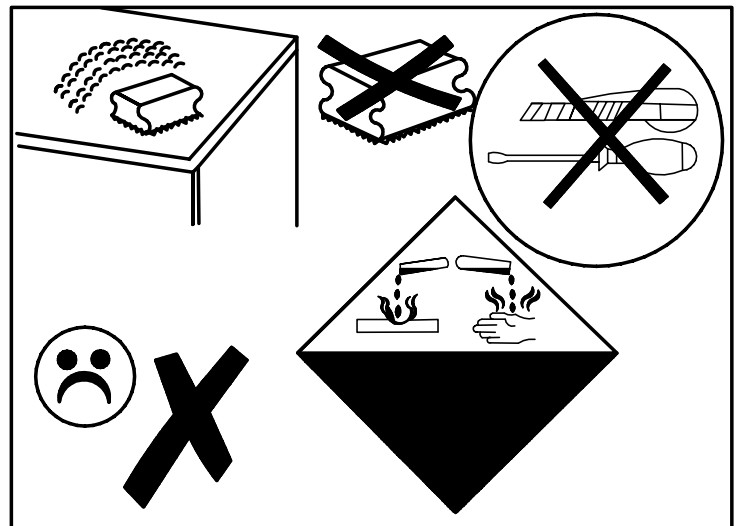
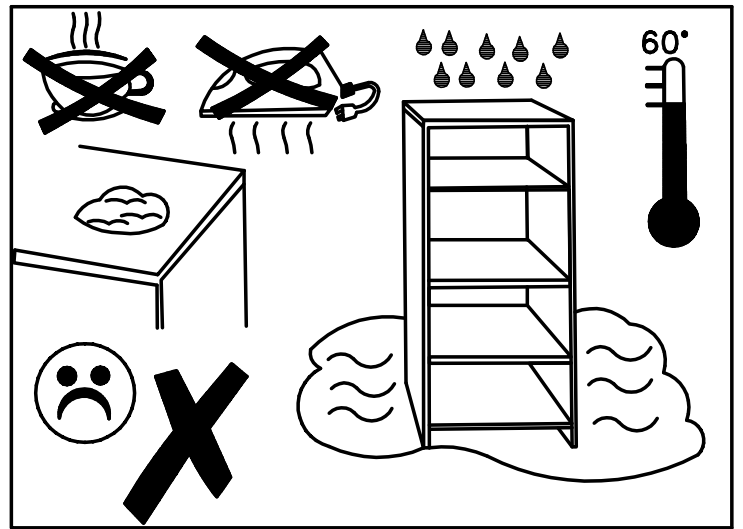
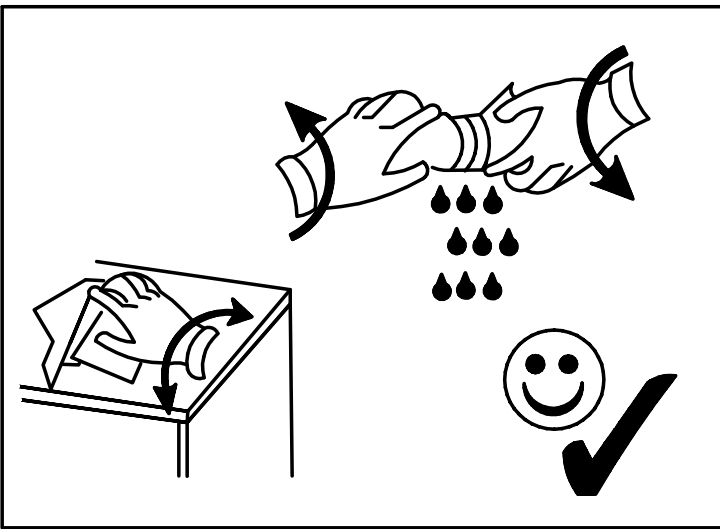
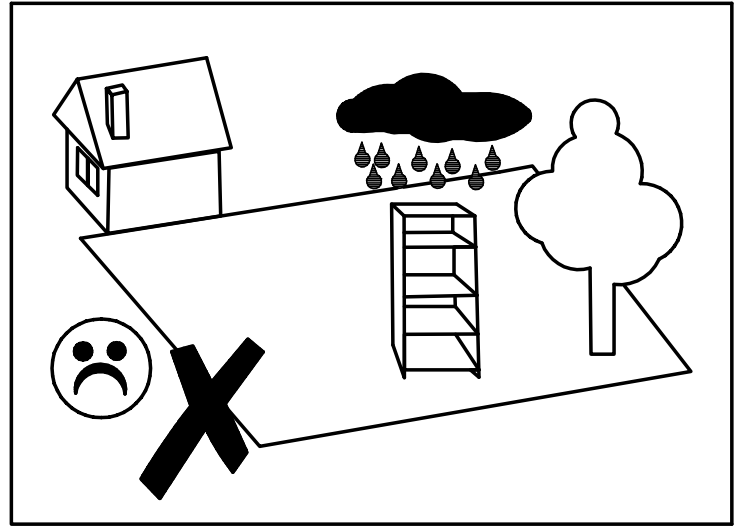
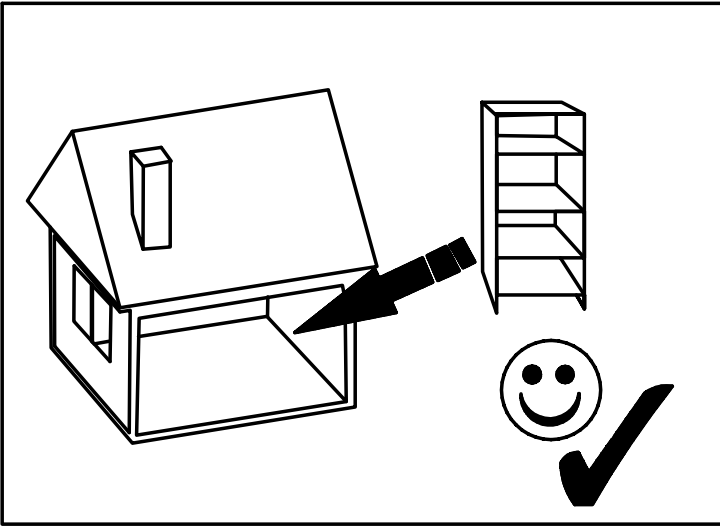


XI

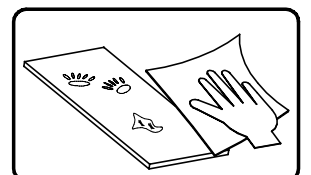
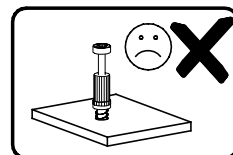
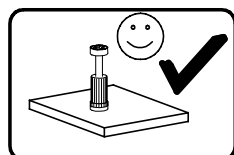
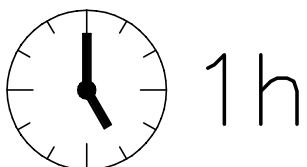
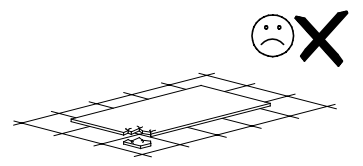
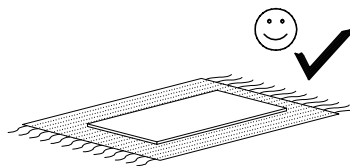
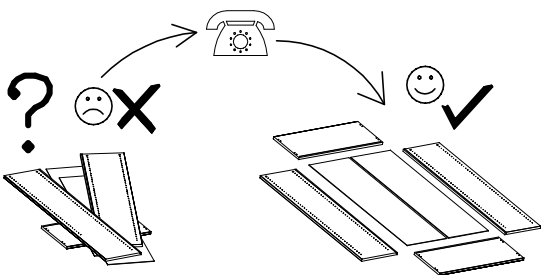
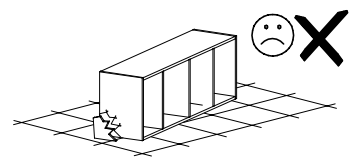
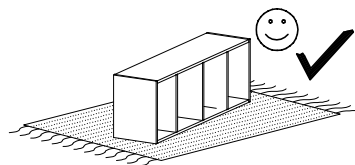
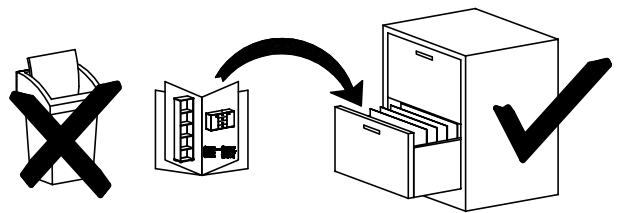
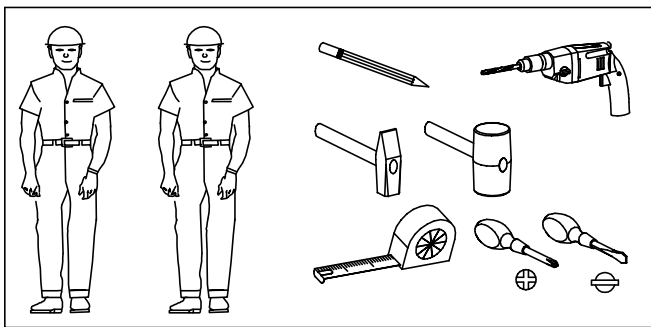
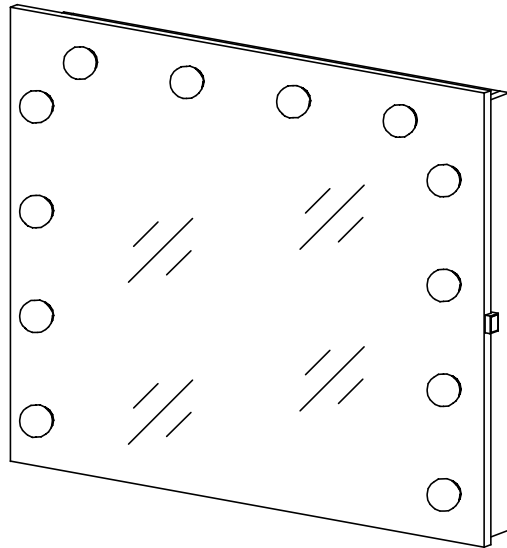


XII

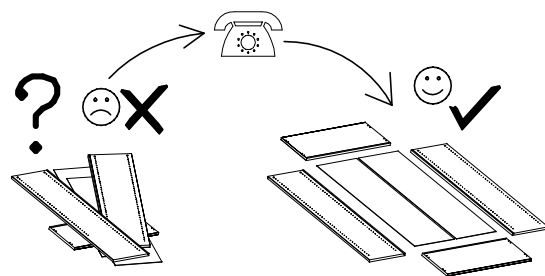
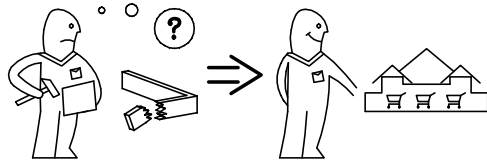
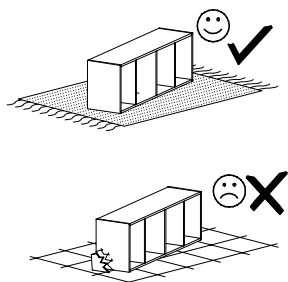




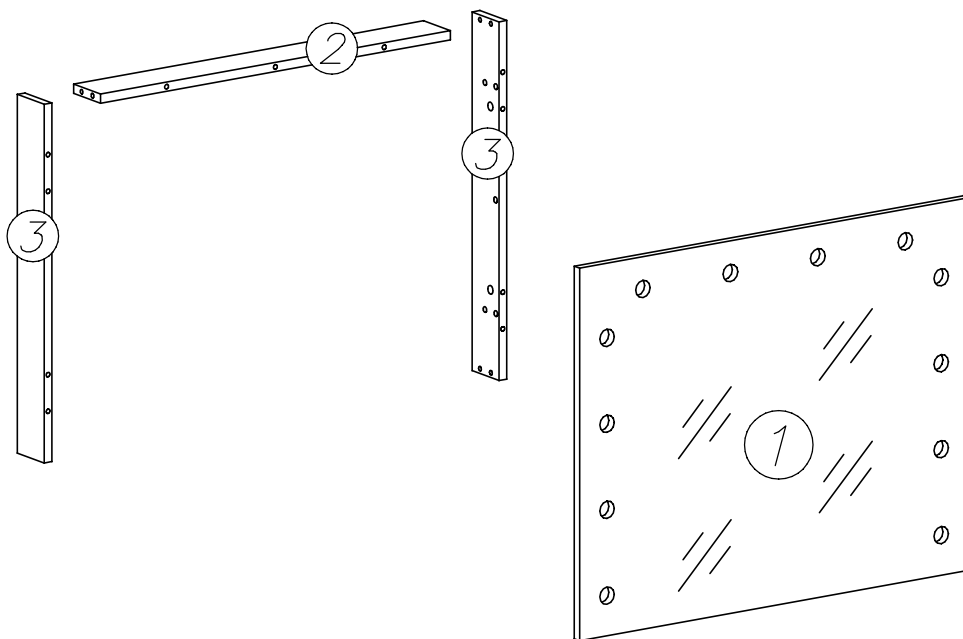
ESCADO ELITE



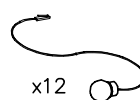
ESCADO ELITE



nr	L[mm]	B[mm]	T[mm]	Menge	Colli
1	650	800	20	1	1/1
2	720	79	16	1	1/1
3	626	79	16	2	1/1

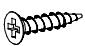


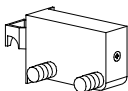
W20

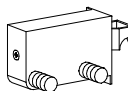



x12


x...(1)

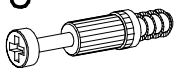
G34

 3,5x16 x...(1)


U9L

 x...(1)

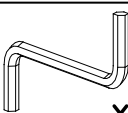
U9R

 x...(1)

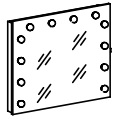
I7

 Ø18 x...(5)

K1

 Ø15x12 x...(5)

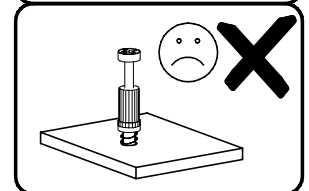
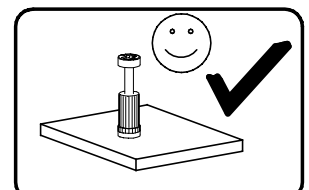
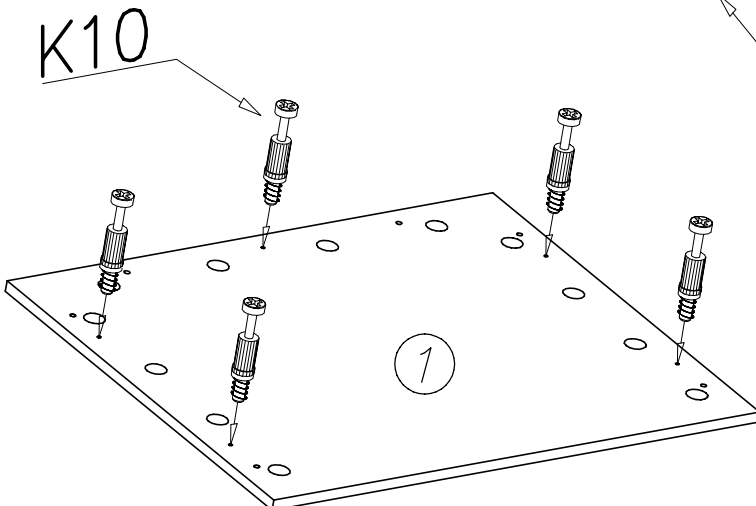
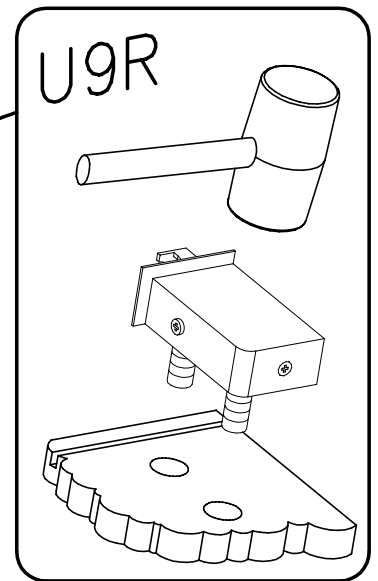
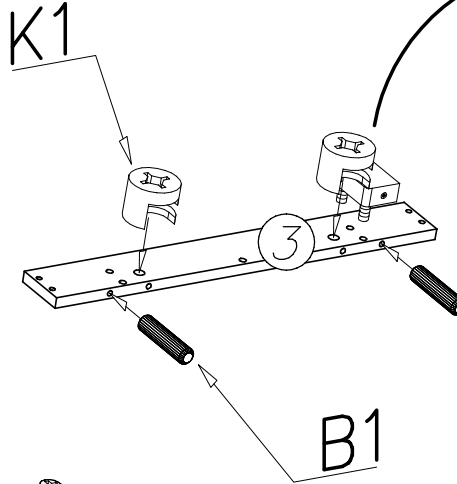
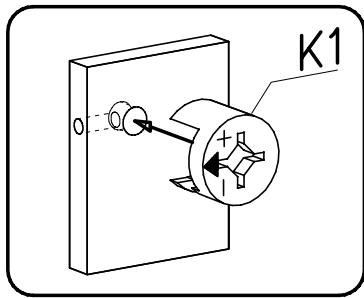
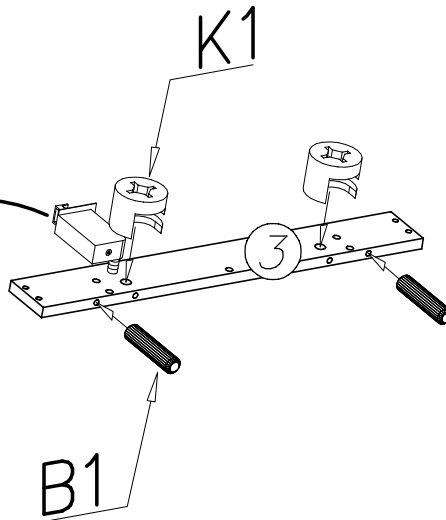
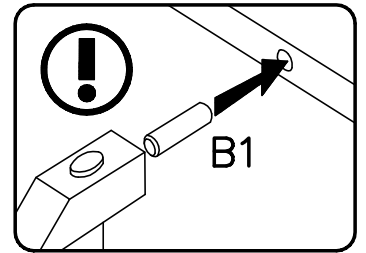
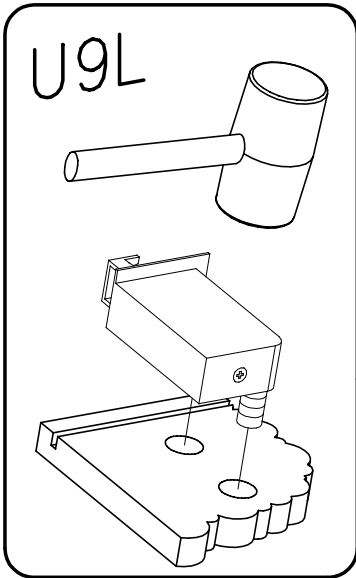
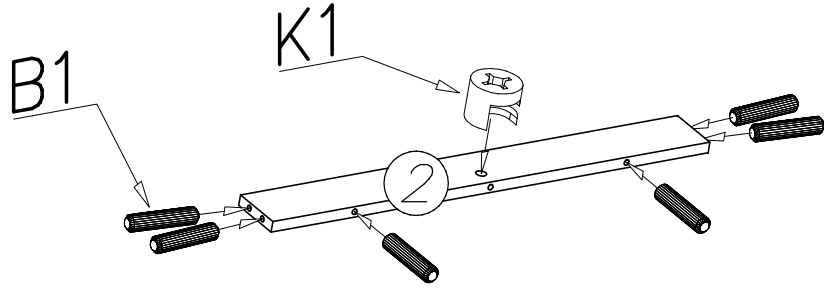
K10

 x...(5)

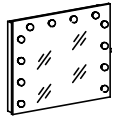
B1

 Ø8x35 x...(10)

W2

 x...(1)

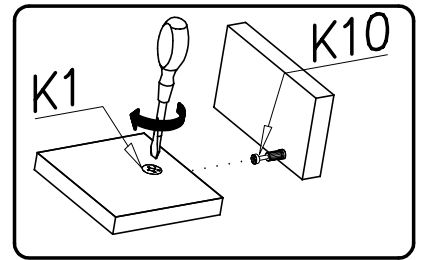
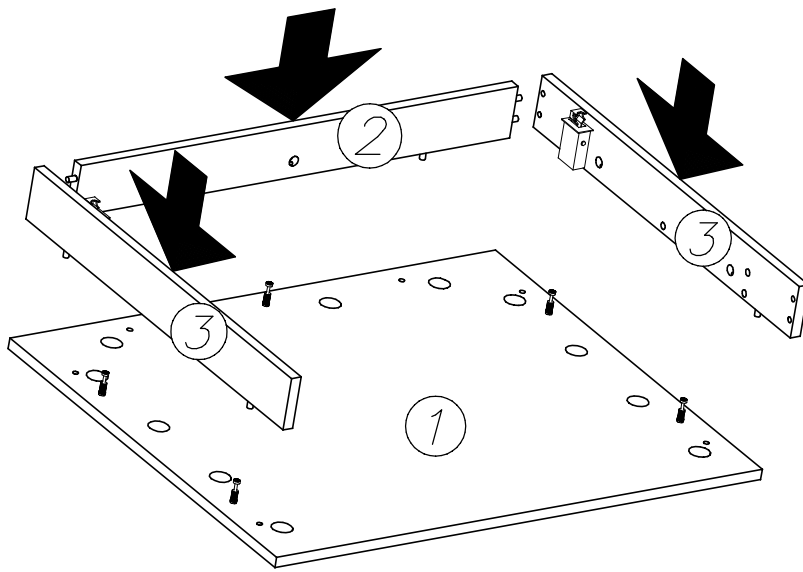


I

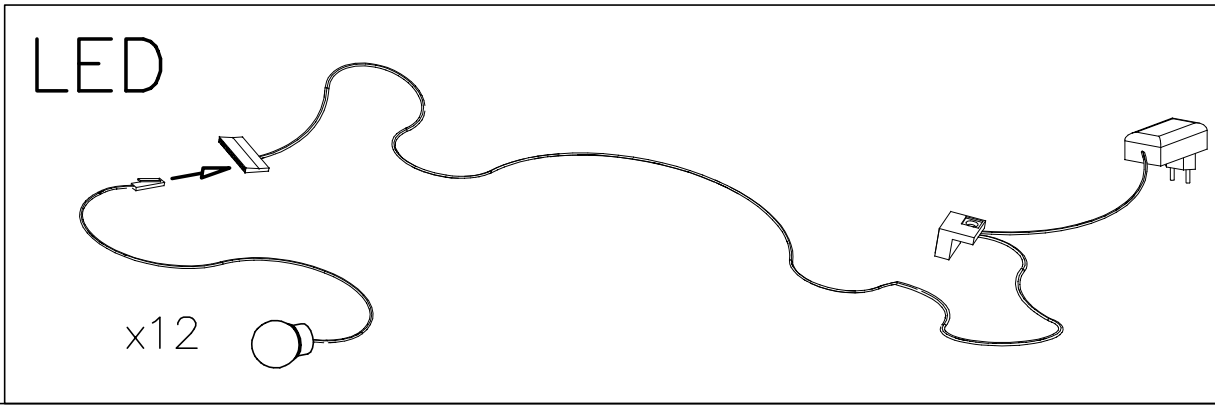
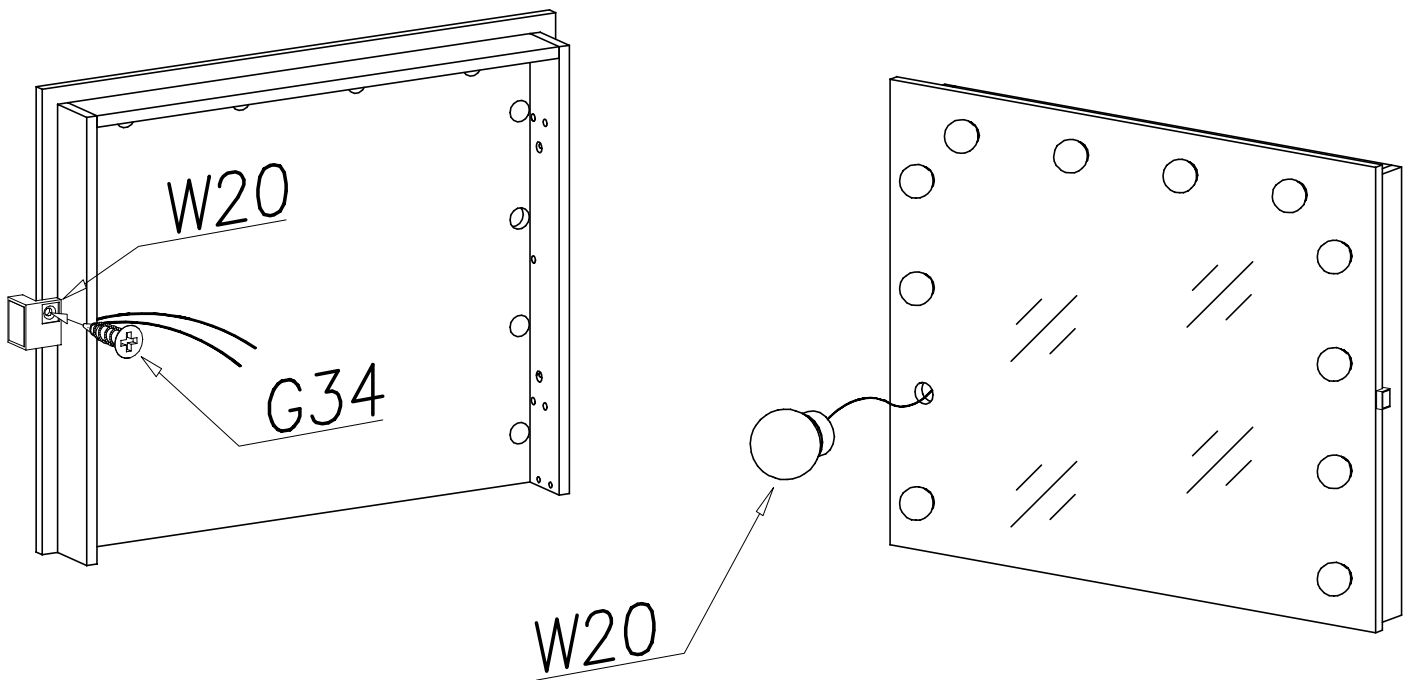


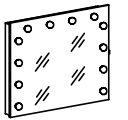


II

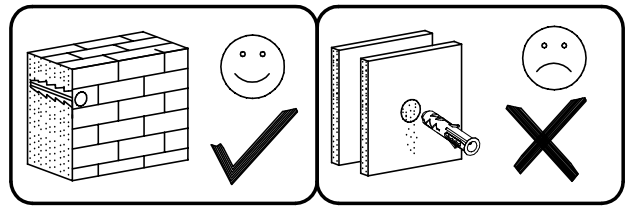
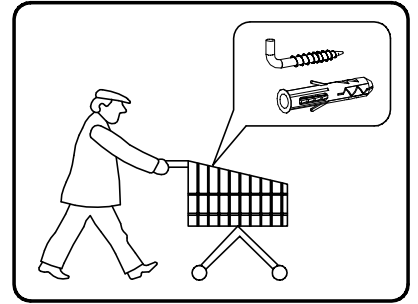
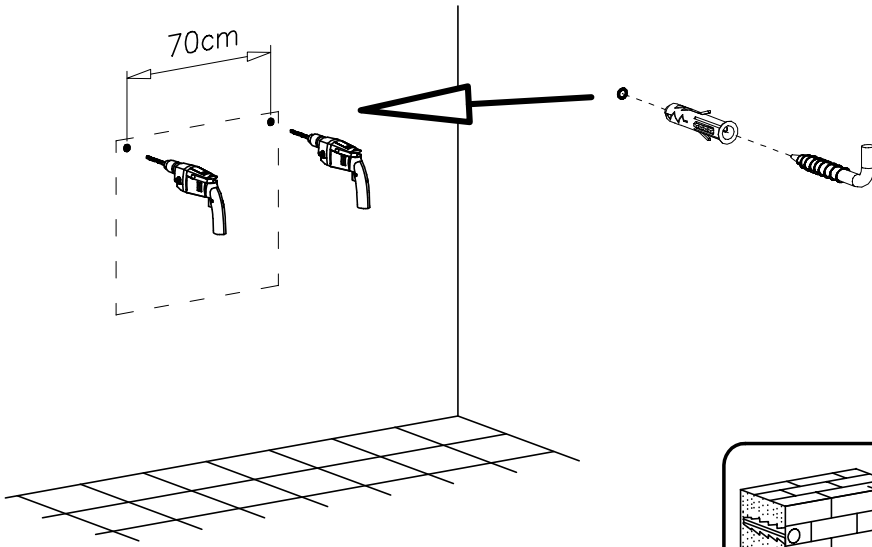


III





IV



V

