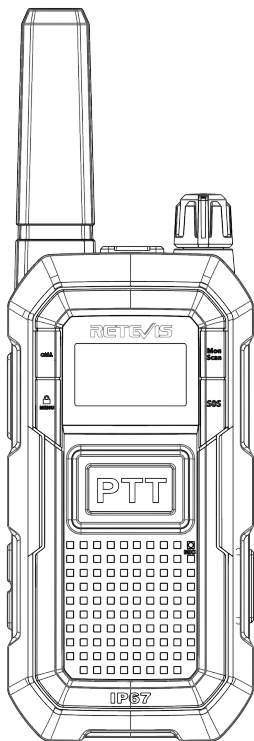


# RETQV15



**RB648**  
**USER'S MANUAL**

# Contents

Warning -----	01
Notes of charging -----	01
Radio introduction -----	02
LCD Display -----	02
Function operation -----	03
Technical Specifications -----	05
Default Frequency -----	05
WARNING -----	06

EN(01-09)

DE(10-19)

**EU Importer**

Name: Germany Retevis Technology GmbH

Address: Uetzenacker 29,38176 wendeburg

For downloading further resources:

Brochures, Software/Firmware, Manual etc, Pls contact  
your direct reseller first OR go to website [retevis.com](http://retevis.com) and  
check "support" in the each product link to download it.

## Warning

Please read this manual carefully before using this radio.

Please do not charge the radio in flammable, explosive and areas which radio communication are prohibited (such as oil station, gas station, airport etc.)

Please do not operate this radio in government laws banned areas

Please make sure this radio avoids the sunshine, and avoids placing it near any heating device.

If radio has a smell or smokes, please remove the battery pack from radio immediately, then contact your nearest distributor.

The repair job of this radio is in the charge of professionals & technicals, self-disassembly is prohibited.

## Notes of charging:

Please use the matching charging base or Type-C charging cable to charge.

Please make sure the radio is turned off when charging.

In order to get the best battery performance, please charge for at least 5 hours for the first time.

Please do not charge the battery for a long time, otherwise the service life of the battery will be shortened. When the battery is fully charged, please stop charging in time.

The charger is only charged for this radio battery, please do not charge other battery, otherwise it will cause damage to the charger and battery.

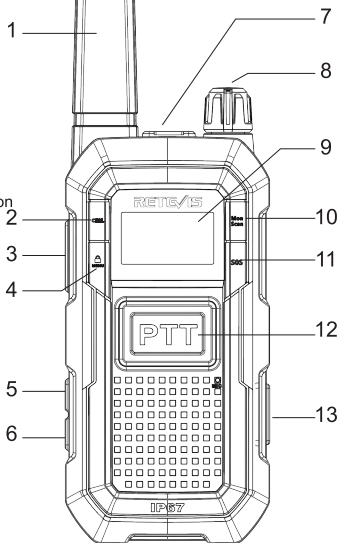
After the battery is fully charged, please place it in a cool, dry place. Please do not get close to fire or expose to sunlight, otherwise there will be a safety hazard.

During the radio charging, it is not recommended to transmit.

During the radio charging, the battery will be slightly hot, which is normal.

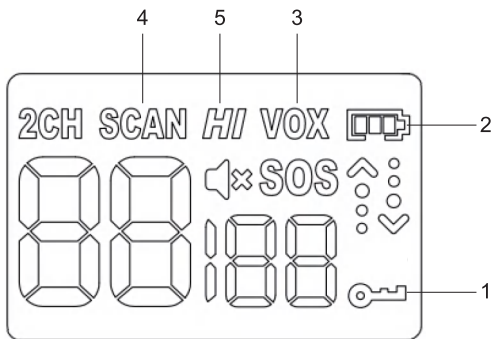
## Radio introduction

1. Antenna
2. Call tone for short press  
(need to select the type of call tone)
3. PTT
4. Short press to enter the menu function  
long press this key to operate the lock or unlock function
5. Up
6. Down
7. Earpiece Jack
8. Volume/Power Switch
9. LED display
10. Short press to switch scan function  
(It needs to click the scan function in the software)  
Long press to switch monitor
11. Alarm
12. PTT
13. Type-c



## LCD Display

1. Lock
2. Battery power
3. VOX
4. Scan
5. High Power



## Function operation

### 1. Turn on/off

1.1 Turn the power switch clockwise to turn on the radio, the radio will sound a power-on prompt and all icons will be displayed in full screen when the radio is turned on. After the radio is turned on, the default mode of the radio is in direct call mode, displaying the currently used channel and CTC/DCS, etc.

1.2 When turning off the radio, turn the power switch counterclockwise until a click sounds.

### 2. Volume adjustment

In standby or receiving state, turn clockwise to increase the volume, counterclockwise to decrease the volume, 1-9 levels of volume can be adjusted cyclically.

Note:

When the volume is not adjusted to a suitable state, please do not put the radio speaker too close to the ear to avoid the sound being too loud and hurting the hearing.

### 3. Transmit/Receive

3.1 In standby mode, press and hold the transmit button [PTT] to speak. When the transmit icon is displayed, it means that the call is being sent. To avoid cutting off your call content, please press the [PTT] key for a short pause, and then start speaking.

3.2 Release the transmit button [PTT] can receive the signal sent from the same channel, the speaker emits the call sound, and when receiving, the receive icon will be displayed.

Note:

1) When the radio is transmitting, please keep the radio in a vertical position and keep the microphone 3-5cm away from the mouth. When transmitting, please keep the radio at least 3 cm from the head or body.

2) During use, there is no need to perform multiple power-on and power-off actions, and at the same time adjust the volume to a volume suitable for your hearing.

3) Before calling on radio, please set the frequency of the transmitter and receiver to the same.

4) Please set the CTC/DCS of the transmitter and receiver for the channel you want to talk to to be the same.

### 4. Set the channel

4.1 In the standby state of direct call mode, press the [MENU] key once, the current channel will flash.

4.2 Press [▲] or [▼] key to select the channel you want to set.

4.3 Press the [PTT] key to save the current setting and exit the menu or press the [MENU] key to jump to the next menu setting.

4.4 The radios can only communicate when they are set to the same channel, and the sound is clear, no noise.

### 5. CTC/DCS selection

This product supports a total of 121 groups of CTC/DCS, 38 groups of analog sub-tone codes and 83 groups (N-phase and I-phase) digital sub-tone codes can be set through software (CPS).

5.1 In the standby state of direct call mode, press the [MENU] key twice, the current CTC/DCS setting will flash.

5.2 Press [▲] or [▼] key to select the CTC/DCS you want to set. Press and hold the [▲] or [▼] key to quickly switch the CTC/DCS.

5.3 Press the [PTT] key to save the current setting and exit the menu or press the [MENU] key to jump to the next menu setting.

### 6. TOT function

When you press and hold the [PTT] key continuously to talk for more than 15-600 seconds, the radio will emit a continuous warning tone, the radio will stop transmitting automatically.

### 7. Set Call Tone

7.1 In the standby state of direct call mode, press the [MENU] key 3 times, the setting screen of the current call tone will flash "CA".

7.2 Press [▲] or [▼] key to select the call tone you want to set, and the radio speaker will emit the corresponding call tone at the same time.

7.3 Press the [PTT] key to save the current setting and exit the menu or press the [MENU] key to jump to the next menu setting.

Note: When the call tone menu setting is selected as 0, the call function will be invalid when long press the [CALL] key.

### 8. Roger Beep

This product supports the Roger Beep function, which can send a sound to remind the receiver that the transmission has ended.

8.1 In the standby state of direct call mode, press the [MENU] key 7 times, and "rb" will be displayed on the screen.

8.2 Press [▲] or [▼] key to select ON and OFF

8.3 Press [PTT] key to save the current settings and exit the menu

8.4 After the function is turned on, there will be a prompt tone after the radio is finished transmitting.

## 9. Button Function

9.1 [SOS] key: long press this key to turn on the alarm function, press the PTT key to stop

9.2[CALL] key: long press this key to switch between direct call and NOAA weather mode; short press this key to transmit call tone

9.3 [SCAN] key: long press this key to start listening; short press this key to start scanning

9.4 [MENU] key: long press this key to operate the lock or unlock function; short press this key to enter or exit the menu

9.5[▲]key: short press up

9.6[▼]key: short press down

9.7[PTT] key : transmit or save settings (in menu mode)

## 10. key lock function

The keyboard lock function is to prevent users from misoperation when they do not want to change the settings of the radio.

10.1 Press and hold the [MENU] key until the lock icon appears to enter the keyboard lock state.

10.2 Press and hold the [MENU] key until the lock icon disappears to exit the keyboard lock state.

Note: When the keyboard is locked, a key failure tone will be emitted when any key is pressed except for the [PTT] key.

## 11. channel scan

11.1 In the standby state, press the [MENU] key 6 times, and the screen will display "SC".

11.2 Press[▲]or[▼]key to select ON and OFF

11.3 Press[PTT]key to save the current setting and exit the menu

11.4 The scanning function of the radio to scans the channels with valid signals, you can easily scan all channels

Note: When the scan menu setting is selected as OF, the scan function will be invalid when pressing the [SCAN] key.

## 12. Start scan:

12.1 Press the [SCAN] key in standby mode of direct call mode to enter the scan mode, the channel number will be displayed in an upward increment, and the [SCAN] icon will be displayed on the LCD.

12.2 When an active channel is detected, the radio automatically pauses to receive signals on this channel until the signal disappears. After the signal disappears for 5 seconds, the radio will continue to scan.

12.3 During the scanning process, press the [PTT] key, the radio will stop on the channel that entered the scan and transmit. If a valid signal is detected, the scan will stop and receive the signal, press the [PTT] key and the radio will transmit on the current channel scanned. After releasing the [PTT] key for 5 seconds, the radio will continue to scan

12.4 Press the [SCAN] key again to exit scan and return to the radio standby mode.

## 13. VOX function

When the VOX function is turned on, you do not need to press the [PTT] key to be able to talk, speaking directly into the microphone, calls will automatically transmit.

13.1 In the standby state of direct call mode, press the [MENU] key 4 times, VOX will be displayed on the screen, and the VOX level can be set.

13.2 Press[▲]or[▼]key to select sensitivity level 1-9:

9 = High sensitivity level

5= Medium sensitivity level

1 = low sensitivity level

0 = OFF

13.3 Press the [PTT] key to save the current setting and exit the menu or press the [MENU] key to jump to the next menu setting.

Select sensitivity 0, turn off the VOX function, and the VOX icon will disappear.

13.4 Talk directly into the microphone and the call will be transmitted automatically. There is a brief delay between the start of speaking and the radio transmission.

13.5 Stop speaking, the radio can enter the receiving state.

## 14. Battery power display and low battery warning

The battery icon shows the power level, from full to empty (0). When the power level is 0, the user is prompted to charge in time, accompanied by a low battery reminder (once every 30 seconds). When the battery power is low, the radio will be turned off.

Note: When the radio is not used for a long time, you need to charge the radio from time to time.

## 15. Caller Vibration

15.1 In the standby state of direct call mode, press the [MENU] key 8 times, and the screen will display "U1".

15.2 Press[▲]or[▼]key to select ON and OFF

15.3 Press[PTT]key to save the current settings and exit the menu

15.4 After the function is turned on, the first incoming call in standby mode will vibrate to indicate

#### 16. Power saving function

The radio has unique features to extend battery life. If there is no call or voice received within 10 seconds, the radio will automatically enter power saving mode. The radio can still receive in this mode.

#### 17. Headset function

17.1 Connect the headset accessories to the radio (radio A&B).

17.2 Press the [PTT] button on the headset of the radio A, sending a call to the MIC of the headset, and the radio B should be able to receive it normally. Repeat the same operation on radio B.

## Technical Specifications

General	Frequency Range	PMR446
	Channel Capacity	16
	Channel step value	12.5KHz
	Operation Voltage	3.7V
	Battery Capacity	2000mAh(Li-Ion)
	Operating Temperature	-20 C +60 C
	Antenna Impedance	50Ω
	Dimensions	180*60*33mm (with antenna)
Transmitter	Output Power	0.5W
	Frequency Stability	±2.5ppm
	Adjacent Channel Power	60dBm@12.5KHz
	FM Modulation	12.5KHz@11K0F3E
	Transmission current	≤1500mA
Receiver	Analog receive sensitivity	0.25uV/-119dBm(20dB SINDA)
	Audio Power	≥300mW
	Rated Audio Distortion	≤3%
	Receive current	≤410mA

## Default Frequency

[PMR446]16CH

CH NO.	Frequency(MHz)	Power
1	446.00625	0.5W
2	446.01875	0.5W
3	446.03125	0.5W
4	446.04375	0.5W
5	446.05625	0.5W
6	446.06875	0.5W
7	446.08125	0.5W
8	446.09375	0.5W

CH NO.	Frequency(MHz)	Power
9	446.10625	0.5W
10	446.11875	0.5W
11	446.13125	0.5W
12	446.14375	0.5W
13	446.15625	0.5W
14	446.16875	0.5W
15	446.18125	0.5W
16	446.19375	0.5W



Before using this radio, read this guide which contains important operating instructions for safe usage and rf energy awareness and control for compliance with applicable standards and regulations.

- User instructions should accompany the device when transferred to other users.**
- Do not use this device if the operational requirements described herein are not met.**

This two-way radio uses electromagnetic energy in the radio frequency (RF) spectrum to provide communications between two or more users over a distance. RF energy, which when used improperly, can cause biological damage.

All Retevis two-way radios are designed, manufactured, and tested to ensure they meet government-established RF exposure levels. In addition, manufacturers also recommend specific operating instructions to users of two-way radios. These instructions are important because they inform users of RF energy exposure and provide simple procedures on how to control it.

Please refer to the following websites for more information on what RF energy exposure is and how to control your exposure to assure compliance with established RF exposure limits: <http://www.who.int/en/>  
When two-way radios are used as a consequence of employment, the Local Government Regulations requires users to be fully aware of and able to control their exposure to meet occupational requirements. Exposure awareness can be facilitated by the use of a product label directing users to specific user awareness information. Your Retevis two-way radio has a RF Exposure Product Label. Also, your Retevis user manual, or separate safety booklet includes information and operating instructions required to control your RF exposure and to satisfy compliance requirements.

### **Radio License(only applicable to licensed radio)**

Governments keep the radios in classification, business two-way radios operate on radio frequencies that are regulated by the local radio management departments (FCC, ISED, OFCOM, ANFR, BFTK, Bundesnetzagentur...).To transmit on these frequencies, you are required to have a license issued by them. The detailed classification and the use of your two radios, please contact the local government radio management departments.

Use of this radio outside the country where it was intended to be distributed is subject to government regulations and may be prohibited.

### **Unauthorized modification and adjustment**

Changes or modifications not expressly approved by the party responsible for compliance may void the user's authority granted by the local government radio management departments to operate this radio and should not be made. To comply with the corresponding requirements, transmitter adjustments should be made only by or under the supervision of a person certified as technically qualified to perform transmitter maintenance and repairs in the private land mobile and fixed services as certified by an organization representative of the user of those services.

Replacement of any transmitter component (crystal, semiconductor, etc.) not authorized by the local government radio management departments equipment authorization for this radio could violate the rules.

### **FCC Requirements:**

This device complies with part 15 of the FCC Rules. Operation is subject to the condition that this device does not cause harmful interference. (Licensed radios are applicable);

This device complies with part 15 of the FCC Rules. Operation is subject to the following two conditions: (Other devices are applicable)

- (1) This device may not cause harmful interference, and
- (2) this device must accept any interference received, including interference that may cause undesired operation.

### **(Only Applicable to GMRS radio station):**

A valid individual license is required to operate a GMRS station. To obtain an individual license, an applicant must be eligible and follow the applicable rules and procedures established by FCC. The applicant must pay the required application and regulatory fees. Each individual license in the GMRS will normally have a term of ten years from the date of grant or renewal, and may be renewed pursuant to the procedures of FCC. To obtain a



GMRS operator license, you need FCC Form 605 & 159, we suggest visiting the FCC website at <https://www.fcc.gov/wireless/support/fcc-form-605>, which includes necessary instructions. More questions about the license application, please contact the FCC at 1-888-225-5322 or go to the FCC's website: <http://www.fcc.gov>. According to FCC rules, any individual who holds an individual license may allow his or her immediate family members to operate his or her GMRS station or stations. Immediate family members are the licensee's spouse, children, grandchildren, stepchildren, parents, grandparents, stepparents, brothers, sisters, aunts, uncles, nieces, nephews, and in-laws.

•(Only applicable to industrial environment)This equipment has been tested and found to comply with the limits for a Class A digital device, pursuant to part 15 of the FCC Rules. These limits are designed to provide reasonable protection against harmful interference when the equipment is operated in a commercial environment. This equipment generates, uses, and can radiate radio frequency energy and, if not installed and used in accordance with the instruction manual, may cause harmful interference to radio communications. Operation of this equipment in a residential area is likely to cause harmful interference in which case the user will be required to correct the interference at his own expense.

•(Only applicable to home)This equipment has been tested and found to comply with the limits for a Class B digital device, pursuant to part 15 of the FCC Rules. These limits are designed to provide reasonable protection against harmful interference in a residential installation. This equipment generates, uses and can radiate radio frequency energy and, if not installed and used in accordance with the instructions, may cause harmful interference to radio communications. However, there is no guarantee that interference will not occur in a particular installation. If this equipment does cause harmful interference to radio or television reception, which can be determined by turning the equipment off and on, the user is encouraged to try to correct the interference by one or more of the following measures:

- Reorient or relocate the receiving antenna.
- Increase the separation between the equipment and receiver.
- Connect the equipment into an outlet on a circuit different from that to which the receiver is connected.
- Consult the dealer or an experienced radio/TV technician for help.

#### **CE Requirements:**

•(Simple EU declaration of conformity) Shenzhen Retevis Technology Co., Ltd. declares that the radio equipment type is in compliance with the essential requirements and other relevant provisions of RED Directive 2014/53/EU and the ROHS Directive 2011/65/EU and the WEEE Directive 2012/19/EU; the full text of the EU declaration of conformity is available at the following internet address: [www.retevis.com](http://www.retevis.com).

#### •Restriction Information

This product can be used in EU countries and regions, including: Belgium (BE), Bulgaria (BG), Czech Republic (CZ), Denmark (DK), Germany (DE), Estonia (EE), Ireland (IE), Greece (EL), Spain (ES), France (FR), Croatia (HR), Italy (IT), Cyprus (CY), Latvia (LV), Lithuania (LT), Luxembourg (LU), Hungary (HU), Malta (MT), Netherlands (NL), Austria (AT), Poland (PL), Portugal (PT), Romania (RO), Slovenia (SI), Slovakia (SK), Finland (FI), Sweden (SE) and United Kingdom (UK).

For the warning information of the frequency restriction, please refer to the package.

#### •Disposal

The crossed-out wheeled-bin symbol on your product, literature, or packaging reminds you that in the European Union, all electrical and electronic products, batteries, and accumulators (rechargeable batteries) must be taken to designated collection locations at the end of their working life. Do not dispose of these products as unsorted municipal waste. Dispose of them according to the laws in your area.



#### **IC Requirements:**

Licence-exempt radio apparatus

This device contains licence-exempt transmitter(s)/receiver(s) that comply with Innovation, Science and Economic Development Canada's licence-exempt RSS(s). Operation is subject to the following two conditions:

- (1) This device may not cause interference.
- (2) This device must accept any interference, including interference that may cause undesired operation of the device.

Le présent appareil est conforme aux CNR d'Industrie Canada applicables aux appareils radio exempts de licence. L'exploitation est autorisée aux deux conditions suivantes :

- (1) l'appareil ne doit pas produire de brouillage;
- (2) l'utilisateur de l'appareil doit accepter tout brouillage radioélectrique subi, même si le brouillage est susceptible d'en compromettre le fonctionnement.

•Occupational/Controlled Radio, this radio is designed for and classified as “Occupational/Controlled Use Only”, meaning it must be used only during the course of employment by individuals aware of the hazards, and the ways to minimize such hazards; NOT intended for use in a General population/uncontrolled environment.

•General population/uncontrolled Radio, this radio is designed for and classified as “General population/uncontrolled Use”.

To control your exposure and ensure compliance with the occupational/controlled environment exposure limits, always adhere to the following procedures. When operating in front of the face, worn on the body, always place the radio in a Retevis approved clip, holder, holster, case, or body harness for this product. Using approved body-worn accessories is important because the use of Non-Retevis approved accessories may result in exposure levels, which exceed the IEEE/ICNIRP RF exposure limits.

Transmit no more than the rated duty factor of 50% of the time. To Transmit (Talk), push the Push to Talk (PTT) button. To receive calls (listen), release the PTT button. Transmitting necessary information or less, is important because the radio generates measurable RF energy exposure only when transmitting in terms of measuring for standards compliance.

•DO NOT operate the radio without a proper antenna attached, as this may damage the radio and may also cause you to exceed RF exposure limits. A proper antenna is the antenna supplied with this radio by the manufacturer or an antenna specifically authorized by the manufacturer for use with this radio, and the antenna gain shall not exceed the specified gain by the manufacturer declared.

•DO NOT transmit for more than 50% of total radio use time, more than 50% of the time can cause RF exposure compliance requirements to be exceeded.

•During transmissions, your radio generates RF energy that can possibly cause interference with other devices or systems. To avoid such interference, turn off the radio in areas where signs are posted to do so.

•DO NOT operate the transmitter in areas that are sensitive to electromagnetic radiation such as hospitals, aircraft, and blasting sites.

•Portable Device, this transmitter may operate with the antenna(s) documented in this filing in Push-to-Talk and body-worn configurations. RF exposure compliance is limited to the specific belt-clip and accessory configurations as documented in this filing and the separation distance between head and the device or its antenna shall be at least 2.5 cm.

•Mobile Device, during operation, the separation distance between user and the antenna subjects to actual regulations, this separation distance will ensure that there is sufficient distance from a properly installed externally-mounted antenna to satisfy the RF exposure requirements. Transmit only when people outside the vehicle are at least the recommended minimum lateral distance away from a properly installed according to installation instructions, externally mounted antenna.

### Hand-held Mode(if applicable)

• Hold the radio in a vertical position with the microphone (and other parts of the radio including the antenna) at least 2.5 cm (one inch) away from the nose or lips. The antenna should be kept away from the eyes. Keeping the radio at a proper distance is important as RF exposure decreases with increasing distance from the antenna.



### Phone Mode(if applicable)

•When placing or receiving a phone call, hold your radio product as you would a wireless telephone. Speak directly into the microphone. Do not use the equipment when you are driving

### Electromagnetic Interference/Compatibility

NOTE: Nearly every electronic device is susceptible to electromagnetic interference (EMI) if inadequately shielded, designed, or otherwise configured for electromagnetic compatibility.

### Avoid Choking Hazard



Small Parts. Not for children under 3 years.

### Turn off your radio power in the following conditions:



- Turn off your radio before removing (installing) a battery or accessory or when charging battery.
- Turn off your radio when you are in a potentially hazardous environments: Near electrical blasting caps, in a blasting area, in explosive atmospheres (flammable gas, dust particles, metallic powders, grain powders, etc.).
- Turn off your radio while taking on fuel or while parked at gasoline service stations. To avoid electromagnetic interference and/or compatibility conflicts

- Turn off your radio in any facility where posted notices instruct you to do so, hospitals or health care facilities (Pacemakers, Hearing Aids and Other Medical Devices) may be using equipment that is sensitive to external RF energy.
- Turn off your radio when on board an aircraft. Any use of a radio must be in accordance with applicable regulations per airline crew instructions.

### Protect your hearing:



- Use the lowest volume necessary to do your job.
- Turn up the volume only if you are in noisy surroundings.
- Turn down the volume before adding headset or earpiece.
- Limit the amount of time you use headsets or earpieces at high volume.
- When using the radio without a headset or earpiece, do not place the radio's speaker directly against your ear
- Use careful with the earphone maybe possible excessive sound pressure from earphones and headphones can cause hearing loss

Note: Exposure to loud noises from any source for extended periods of time may temporarily or permanently affect your hearing. The louder the radio's volume, the less time is required before your hearing could be affected. Hearing damage from loud noise is sometimes undetectable at first and can have a cumulative effect.



### Avoid Burns



#### Antennas

• Do not use any portable radio that has a damaged antenna. If a damaged antenna comes into contact with the skin when the radio is in use, a minor burn can result.

#### Batteries (If appropriate)

- When the conductive material such as jewelry, keys or chains touch exposed terminals of the batteries, may complete an electrical circuit (short circuit the battery) and become hot to cause bodily injury such as burns. Exercise care in handling any battery, particularly when placing it inside a pocket, purse or other container with metal objects
- **BATTERY WARNING: KEEP OUT OF REACH OF CHILDREN**
- Store spare batteries securely
- If the battery compartment (if applicable) does not close securely, stop using the product and keep it away from children
- If you think batteries might have been swallowed or placed inside any part of the body, seek immediate medical attention
- Dispose of used batteries immediately and safely
- Long transmission
- When the transceiver is used for long transmissions, the radiator and chassis will become hot.

### Safety Operation



#### Forbid

- Do not use charger outdoors or in moist environments, use only in dry locations/conditions.
- Do not disassemble the charger, that may result in risk of electrical shock or fire.
- Do not operate the charger if it has been broken or damaged in any way.
- Do not place a portable radio in the area over an air bag or in the air bag deployment area. The radio may be propelled with great force and cause serious injury to occupants of the vehicle when the air bag inflates.

#### To reduce risk

- Pull by the plug rather than the cord when disconnecting the charger.
- Unplug the charger from the AC outlet before attempting any maintenance or cleaning.
- Contact Retevis for assistance regarding repairs and service.
- The adapter shall be installed near the equipment and shall be easily accessible

### Approved Accessories



• This radio meets the RF exposure guidelines when used with the Retevis accessories supplied or designated for the product. Use of other accessories may not ensure compliance with the RF exposure guidelines and may violate regulations.

- For a list of Retevis-approved accessories for your radio model, visit the following website: <http://www.Retevis.com>

## Warnung

Bitte lesen Sie dieses Handbuch sorgfältig durch, bevor Sie dieses Radio verwenden.

Laden Sie nicht in brennbaren und explosiven Bereichen auf, in denen Funkkommunikation verboten ist (z. B. Tankstellen, Tankstellen, Flughäfen usw.)

Betreiben Sie dieses Radio nicht in Bereichen, die laut Regierungsgesetz ausdrücklich verboten sind  
Achten Sie darauf, dass dieses Radio vor Sonnenlicht geschützt ist und nicht in der Nähe von Heizgeräten platziert wird.

Wenn das Gerät riecht oder raucht, entfernen Sie den Akku sofort vom Gerät und wenden Sie sich an den nächstgelegenen Händler.

Die Reparaturarbeiten an diesem Radio werden von professionellen Technikern durchgeführt, und es ist verboten, es selbst zu demontieren.

## Hinweise zur Aufladung:

Bitte laden Sie mit der passenden Ladestation oder dem Ladekabel Typ C auf.

Schalten Sie das Radio beim Laden immer aus.

Für eine optimale Batterieleistung laden Sie bitte mindestens 5 Stunden zum ersten Mal auf.

Bitte laden Sie den Akku nicht über einen längeren Zeitraum auf, da sonst die Lebensdauer des Akkus verkürzt wird. Wenn der Akku voll ist, stoppen Sie das Laden rechtzeitig.

Das Ladegerät lädt nur den Akku dieses Radios, bitte laden Sie keine anderen Akkus auf, da sonst das Ladegerät und der Akku beschädigt werden.

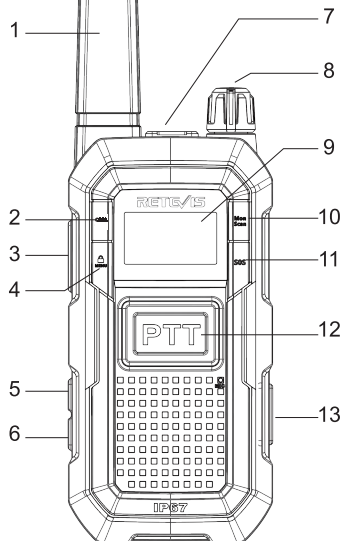
Wenn der Akku voll aufgeladen ist, bitte an einem kühlen und trockenen Ort aufbewahren. Nicht in der Nähe einer Feuerquelle oder der Sonne aussetzen, da sonst ein Sicherheitsrisiko besteht.

Während des Funkladens wird das Senden nicht empfohlen.

Während des Ladevorgangs des Radios erwärmt sich der Akku leicht, was normal ist.

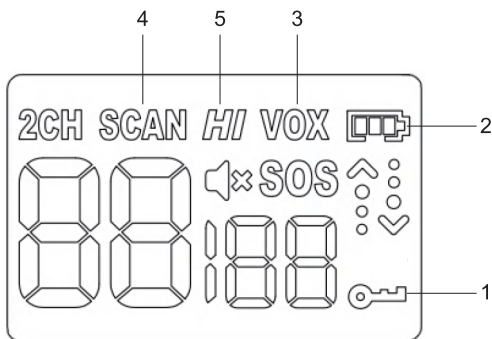
## Einführung ins Radi

1. Antenne
2. Rufion für kurzes Drücken
- (Sie müssen die Art des Rufions auswählen)
3. PTT
4. Kurzer Druck zum Aufrufen der Menüfunktion  
Drücken Sie diese Taste lange, um die Sperr-  
oder Entsperrfunktion zu betätigen
5. Aufwärts
6. Nach unten
7. Hörerbuchse
8. Lautstärke-/Netzschalter
9. LED-Anzeige
10. Kurzes Drücken zum Umschalten der Scanfunktion  
(die Scanfunktion muss in der Software angeklickt  
werden)
- Langer Druck zum Umschalten des Monitors
11. Alarm
12. PTT
13. Typ-c



## LCD Display

1. Sperren
2. Batteriebetrieb
3. VOX
4. Scan
5. Hohe Leistung



# Funktionsoperationen

## 1. On/Off

1.1 Drehen Sie den Netzschalter im Uhrzeigersinn, um das Radio einzuschalten. Das Radio gibt eine Einschaltaufforderung aus und alle Symbole werden im Vollbildmodus angezeigt, wenn das Radio eingeschaltet ist. Nach dem Einschalten des Radios ist der Standardmodus des Radios der Direktanrufmodus, der den aktuell verwendeten Kanal, CTC/DCS usw. anzeigt.

1.2 Wenn das Radio ausgeschaltet ist, drehen Sie den Netzschalter gegen den Uhrzeigersinn, bis ein Klickgeräusch ertönt.

## 2. Anpassung der Lautstärke

Im Standby- oder Empfangszustand wird die Lautstärke im Uhrzeigersinn erhöht, und die Lautstärke wird gegen den Uhrzeigersinn verringert. Die Lautstärke kann zyklisch um 1-9 Stufen eingestellt werden.

Anmerkungen:

Wenn die Lautstärke nicht auf den richtigen Zustand eingestellt ist, stellen Sie den Radiolautsprecher nicht zu nahe an Ihr Ohr, um zu viel Ton zu vermeiden und Ihr Gehör zu beeinträchtigen.

## 3. Senden/Empfangen

3.1 Halten Sie im Standby-Modus die Sendetaste [PTT] gedrückt, um zu sprechen. Wenn das Übertragungssymbol angezeigt wird, wird ein Anruf gesendet. Um zu vermeiden, dass der Inhalt Ihres Anrufs unterbrochen wird, drücken Sie die [PTT]-Taste, um eine kurze Pause einzulegen, und starten Sie den Anruf.

3.2 Lassen Sie die Sendetaste [PTT] los, um ein Signal vom gleichen Kanal zu empfangen, der Lautsprecher gibt einen Rufton aus und beim Empfang wird das Empfangssymbol angezeigt.

Anmerkungen:

1) Wenn das Radio gesendet wird, halten Sie das Radio in vertikaler Position, das Mikrofon ist 3-5 cm vom Mund entfernt und das Radio ist mindestens 3 cm vom Kopf oder Körper entfernt, wenn es gesendet wird.

2) Während des Gebrauchs ist es nicht notwendig, mehrere Erregungs- und Stromausfallaktionen durchzuführen, während die Lautstärke auf die Lautstärke eingestellt wird, die für Ihr Hören geeignet ist.

3) Stellen Sie die Frequenz von Sender und Empfänger auf die gleiche ein, bevor Sie einen Funkanruf verwenden.

4) Bitte stellen Sie die CTC/DCS für Sender und Empfänger des Kanals, von dem Sie sprechen möchten, auf das Gleiche ein.

## 4. Den Kanal einstellen

4.1 Wenn Sie im Standby-Modus im Direktwahlmodus einmal die [MENU] Taste drücken, blinkt der aktuelle Kanal.

4.2 Drücken Sie die Tasten [▲] oder [▼], um den zu setzenden Kanal auszuwählen.

4.3 Drücken Sie die [PTT]-Taste, um die aktuelle Einstellung zu speichern und das Menü zu verlassen, oder drücken Sie die [MENU]-Taste, um zur nächsten Menüeinstellung zu springen.

4.4 Das Radio kann nur kommunizieren, wenn es auf den gleichen Kanal eingestellt ist, und der Klang ist klar und geräuschlos.

## 5. CTC/DCS-Auswahl

Dieses Produkt unterstützt insgesamt 121 Sätze von CTC/DCS und 38 Sätze von analogen Subphonetikcodes. 83 Sätze (N-Phase, I-Phase) von digitalen Subphonetikcodes können über Software (CPS) eingestellt werden.

5.1 Im Standby-Modus des Direktanrufs blinken die aktuellen CTC/DCS-Einstellungen, wenn die Menütaaste zweimal gedrückt wird.

5.2 Drücken Sie die Taste "▲" oder "▼", um den CTC/DCS auszuwählen, den Sie setzen möchten. CTC/DCS wird schnell umgeschaltet, indem die [▲] oder [▼] Tasten gedrückt gehalten werden.

5.3 Drücken Sie die [PTT]-Taste, um die aktuelle Einstellung zu speichern und das Menü zu verlassen, oder drücken Sie die [MENU]-Taste, um zur nächsten Menüeinstellung zu springen.

## 6. TOT Funktion

Wenn Sie die [PTT] Taste länger als 15-600 Sekunden gedrückt halten, gibt das Radio einen kontinuierlichen Warnton aus und das Radio stoppt automatisch die Übertragung.

## 7. Stellen Sie den Anrufton ein

7.1 Wenn Sie im Standby-Modus im Direktwahlmodus die [MENU] -Taste 3-mal drücken, blinkt der Einstellungsbildschirm für den aktuellen Rufton "CA".

7.2 Drücken Sie die Taste "▲" oder "▼", um den zu setzenden Rufton auszuwählen. Die Lautsprecher des Radios geben gleichzeitig den entsprechenden Rufton aus.

7.3 Drücken Sie die [PTT]-Taste, um die aktuelle Einstellung zu speichern und das Menü zu verlassen, oder drücken Sie die [MENU]-Taste, um zur nächsten Menüeinstellung zu springen.

Hinweis: Wenn die Einstellung des Anruftonmenüs auf 0 gesetzt ist, ist die Anruhfunktion durch langes Drücken der [Call]-Taste ungültig.

## 8. Roger Beep

Dieses Produkt unterstützt die Roger-Piep-Funktion, die einen Sound senden kann, um den Empfänger daran zu erinnern, dass die Übertragung beendet wurde.

8.1 Wenn Sie im Standby-Modus im Direktanrufmodus die Taste "MENU" 7 Mal drücken, erscheint "RB" auf dem Bildschirm.

8.2 Drücken Sie die Taste "▲" oder "▼", um zu öffnen und zu schließen

8.3 Speichern der aktuellen Einstellungen durch Drücken der Taste "PTT" und Verlassen des Menüs

8.4 Nachdem die Funktion eingeschaltet ist, wird nach dem Aussenden des Radios ein Promptton angezeigt

## 9. Funktionen der Schaltflächen

9.1 [SOS] Taste: Lange Taste drücken, um die Alarmfunktion einzuschalten, PTT-Taste drücken, um zu stoppen

9.2[CALL] Taste: Drücken Sie diese Taste lange, um zwischen Direktruf und NOAA-Wettermodus zu wechseln; Drücken Sie diese Taste kurz, um einen Anruf zu senden

9.3 [SCAN] Taste: Drücken Sie diese Taste lange, um das Abhören zu starten; Drücken Sie diese Taste kurz, um den Scan zu starten

9.4 [MENU] Taste: Drücken Sie diese Taste lange, um die Sperr- oder Entsperrfunktion zu betätigen; Drücken Sie diese Taste kurz, um das Menü zu betreten oder zu verlassen

9.5[▲]Taste: Kurz drücken up

9.6[▼]Taste: Kurz drücken down

9.7[PTT] Taste: Übertragen oder Speichern von Einstellungen (im Menümodus)

## 10. Schlüsselverriegelung

Die Tastatursperrfunktion soll verhindern, dass Benutzer die Einstellungen des Geräts falsch bedienen, wenn sie die Einstellungen des Geräts nicht ändern möchten.

10.1 Halten Sie die Taste [MENU] gedrückt, bis das Schloss-Symbol erscheint, um in den Zustand Tastatursperre zu gelangen.

10.2 Halten Sie die Taste [MENU] gedrückt, bis das Sperrsymbol verschwindet, um den Sperrzustand der Tastatur

Hinweis: Wenn die Tastatur gesperrt ist, wird bei gedrückter Taste mit Ausnahme der [PTT] -Taste ein Tastenfehlerlaut ausgegeben.

## 11. Channel Scan

11.1 Drücken Sie im Standby-Modus 6 Mal die Taste "Menu" und der Bildschirm zeigt "SC" an.

11.2 Drücken Sie die Taste [▲] oder [▼] , um ON oder OFF auszuwählen.

11.3 Drücken Sie die Taste [PTT] , um die aktuelle Einstellung zu speichern und das Menü zu verlassen.

11.4 Die Scan-Funktion des Funkgeräts scannt die Kanäle mit gültigen Signalen, Sie können einfach alle Kanäle scannen

Hinweis: Wenn die Scan-Menü-Einstellung als OF ausgewählt ist, ist die Scan-Funktion ungültig, wenn die [SCAN]-Taste gedrückt wird.

## 12. Scan starten:

12.1 Drücken Sie die [SCAN]-Taste im Standby-Modus oder im Direktrufmodus, um in den Suchlaufmodus zu gelangen; die Kanalnummer wird in aufsteigender Reihenfolge angezeigt, und das [SCAN]-Symbol erscheint auf der LCD-Anzeige.

12.2 Wenn ein aktiver Kanal erkannt wird, pausiert das Funkgerät automatisch, um Signale auf diesem Kanal zu empfangen, bis das Signal verschwindet. Nachdem das Signal 5 Sekunden lang verschwunden ist, fährt das Funkgerät mit dem Suchlauf fort.

12.3 Drücken Sie während des Suchlaufs die [PTT]-Taste, hält das Funkgerät auf dem Kanal an, auf dem der Suchlauf begann, und sendet. Wenn ein gültiges Signal erkannt wird, stoppt der Suchlauf und empfängt das Signal, drücken Sie die [PTT]-Taste und das Funkgerät sendet auf dem aktuell gescannten Kanal. Nachdem die [PTT]-Taste 5 Sekunden lang losgelassen wurde, setzt das Funkgerät den Suchlauf fort.

12.4 Drücken Sie die [SCAN]-Taste erneut, um den Suchlauf zu beenden und in den Standby-Modus des Funkgeräts zurückzukehren.

## 13. VOX Funktion

Wenn die VOX-Funktion eingeschaltet ist, brauchen Sie die [PTT]-Taste nicht zu drücken, um zu sprechen; wenn Sie direkt in das Mikrofon sprechen, werden die Gespräche automatisch übertragen.

13.1 Drücken Sie im Standby-Modus des Direktrufs viermal die Taste [MENU], VOX wird auf dem Bildschirm angezeigt, und der VOX-Pegel kann eingestellt werden.

13.2 Drücken Sie die Taste [▲] oder [▼] , um die Empfindlichkeitsstufe 1-9 auszuwählen:

9 = Hohe Empfindlichkeitsstufe

5= Mittlere Empfindlichkeitsstufe

1 = niedrige Empfindlichkeitsstufe

0 = AUS

13.3 Drücken Sie die [PTT]-Taste, um die aktuelle Einstellung zu speichern und das Menü zu verlassen oder drücken Sie die [MENU]-Taste, um zur nächsten Menüeinstellung zu gelangen.

Wählen Sie die Empfindlichkeit 0, schalten Sie die VOX-Funktion aus, und das VOX-Symbol wird ausgeblendet.  
13.4 Sprechen Sie direkt in das Mikrofon und der Anruf wird automatisch übertragen. Es gibt eine kurze Verzögerung zwischen dem Beginn des Sprechens und der Funkübertragung.

13.5 Wenn Sie aufhören zu sprechen, kann das Funkgerät in den Empfangszustand übergehen.

#### **14. Batterieladeanzeige und Warnung vor unzureichendem Ladezustand**

Das Batteriesymbol zeigt den Ladezustand an, von voll bis leer (0). Wenn der Ladezustand 0 ist, wird der Benutzer aufgefordert, rechtzeitig aufzuladen, begleitet von einer Erinnerung an einen niedrigen Batteriestand (einmal alle 30 Sekunden). Bei niedrigem Batteriestand wird das Funkgerät ausgeschaltet.

Hinweis: Wenn das Radio über einen längeren Zeitraum nicht benutzt wird, müssen Sie es von Zeit zu Zeit aufladen.

#### **15. Anrufvibration**

15.1 Drücken Sie im Standby-Modus des Direktrufs die Taste [MENU] 8-mal, und auf dem Bildschirm wird "U1" angezeigt.

15.2 Drücken Sie die Taste **【▲】** oder **【▼】**, um ON oder OFF auszuwählen.

15.3 Drücken Sie die Taste **【PTT】**, um die aktuellen Einstellungen zu speichern und das Menü zu verlassen.

15.4 Nach dem Einschalten der Funktion wird der erste eingehende Anruf im Standby-Modus durch ein Vibrationssignal angezeigt.

#### **16. Energiesparende Funktion**

Das Radio verfügt über einzigartige Funktionen, um die Batterielebensdauer zu verlängern. Wenn innerhalb von 10 Sekunden kein eingehender Anruf oder keine Stimme eingeht, wechselt das Radio automatisch in den Energiesparmodus. Das Radio kann in diesem Modus noch empfangen werden.

#### **17. Kopfhörfunktionen**

17.1 Schließen Sie das Headset-Zubehör an das Funkgerät an (Funkgerät A&B).

17.2 Drücken Sie die [PTT]-Taste am Headset des Funkgeräts A und senden Sie einen Anruf an das MIC des Headsets; das Funkgerät B sollte diesen normal empfangen können. Wiederholen Sie den gleichen Vorgang an Funkgerät B.

## **Technische Daten**

ALLGEMEINES	Frequenzbereich	PMR446
	Kanal Kapazität	16
	Kanalschrittweite	12.5KHz
	Betriebsspannung	3.7V
	Batteriekapazität	2000mAh(Li-Ion)
	Betriebstemperatur	-20 C +60 C
	Antennenimpedanz	50Ω
	Abmessungen	180*60*33mm (Mit Antenne)
Der Sender	Ausgangsleistung	0.5 W
	Frequenzstabilität	±2.5ppm
	Leistung des Nachbarkanals	60dBm@12.5KHz
	FM-Modulation	12.5KHz@11K0F3E
	Sendestrom	≤1500mA
Der Empfänger	Analoge Empfangsempfindlichkeit	0.25uV/-119dBm(20dB SINDA)
	Audio Leistung	≥300mW
	Audio-Nennverzerrung	≤3%
	Empfangsstrom	≤410mA




## Default Frequency [PMR446]16CH

CH Nr.	Frequenz (MHz)	Leistung
1	446.00625	0.5W
2	446.01875	0.5W
3	446.03125	0.5W
4	446.04375	0.5W
5	446.05625	0.5W
6	446.06875	0.5W
7	446.08125	0.5W
8	446.09375	0.5W

CH Nr.	Frequenz (MHz)	Leistung
9	446.10625	0.5W
10	446.11875	0.5W
11	446.13125	0.5W
12	446.14375	0.5W
13	446.15625	0.5W
14	446.16875	0.5W
15	446.18125	0.5W
16	446.19375	0.5W

### HF-ENERGIEEXPOSITION UND PRODUKTSICHERHEITSLITFADEN FÜR FUNKGERÄTE

 <b>ATTENTION!</b>	Bevor Sie dieses Funkgerät verwenden, lesen Sie dieses Handbuch, das wichtige Bedienungsanleitungen für die sichere Verwendung und das Bewusstsein und die Kontrolle der HF-Energie zur Einhaltung der geltenden Normen und Vorschriften enthält.
--	---

- Die Bedienungsanleitung sollte dem Gerät beiliegen, wenn es an andere Benutzer übertragen wird.
- Verwenden Sie dieses Gerät nicht, wenn die hier beschriebenen betrieblichen Anforderungen nicht erfüllt sind.

Dieses Zwei-Wege-Funkgerät verwendet elektromagnetische Energie im Hochfrequenzspektrum (RF), um die Kommunikation zwischen zwei oder mehr Benutzern über eine Entfernung zu ermöglichen. HF-Energie, die bei unsachgemäßer Verwendung biologische Schäden verursachen kann.

Alle Retevis Zwei-Wege-Funkgeräte wurden entwickelt, hergestellt und getestet, um sicherzustellen, dass sie die staatlich festgelegten HF-Expositionswerte erfüllen. Darüber hinaus empfehlen die Hersteller den Anwendern von Funkgeräten auch spezifische Bedienungsanleitungen. Diese Anweisungen sind wichtig, da sie die Benutzer über die HF-Energieexposition informieren und einfache Verfahren zur Steuerung bieten.

Weitere Informationen darüber, was HF-Energieexposition ist und wie Sie Ihre Exposition kontrollieren können, um die Einhaltung der festgelegten HF-Expositionsgrenzwerte sicherzustellen, finden Sie auf den folgenden Websites: <http://www.who.int/en/>

Wenn Funkgeräte als Folge der Beschäftigung verwendet werden, verlangen die Vorschriften der lokalen Regierung, dass die Benutzer ihre Exposition vollständig kennen und kontrollieren können, um die beruflichen Anforderungen zu erfüllen. Das Bewusstsein für die Exposition kann durch die Verwendung eines Produktetiketts erleichtert werden, das die Benutzer zu spezifischen Informationen zur Sensibilisierung der Benutzer leitet. Ihr Retevis Funkgerät verfügt über ein RF Exposure Product Label. Außerdem enthält Ihr Retevis-Benutzerhandbuch oder ihre separate Sicherheitsbroschüre Informationen und Bedienungsanleitungen, die zur Kontrolle Ihrer HF-Exposition und zur Erfüllung der Compliance-Anforderungen erforderlich sind.

#### Radiolizenz (gilt nur für lizenziertes Radio)

Regierungen halten die Funkgeräte in der Klassifizierung, Business-Funkgeräte arbeiten auf Funkfrequenzen, die von den lokalen Radiomanagementabteilungen (FCC, ISED, BAKOM, ANFR, BFTK, Bundesnetzagentur...) reguliert werden. Um auf diesen Frequenzen zu senden, benötigen Sie eine von ihnen ausgestellte Lizenz. Für die detaillierte Klassifizierung und die Verwendung Ihrer beiden Funkgeräte wenden Sie sich bitte an die lokalen Radioverwaltungsabteilungen.

Die Verwendung dieses Funkgeräts außerhalb des Landes, in dem es verbreitet werden sollte, unterliegt staatlichen Vorschriften und kann verboten sein. Nicht autorisierte Änderung und Anpassung

Änderungen oder Modifikationen, die nicht ausdrücklich von der für die Einhaltung verantwortlichen Partei genehmigt wurden, können die von den lokalen Funkverwaltungsabteilungen erteilte Befugnis des Benutzers zum Betrieb dieses Funkgeräts aufheben und sollten nicht vorgenommen werden. Um die entsprechenden Anforderungen zu erfüllen, sollten Senderanpassungen nur von oder unter der Aufsicht einer Person vorgenommen werden, die als technisch qualifiziert für die Wartung und Reparatur von Sendern in privaten mobilen und festen Landdiensten zertifiziert ist, die von einer Organisation, die den Nutzer dieser Dienste vertritt, zertifiziert wurde.

Der Austausch von Senderkomponenten (Kristall, Halbleiter usw.), die nicht von den örtlichen Radioverwaltungsabteilungen für die Ausrüstungsgenehmigung für dieses Funkgerät autorisiert wurden, könnte gegen die Regeln verstoßen.

#### **FCC-Anforderungen:**

Dieses Gerät entspricht Teil 15 der FCC-Regeln. Der Betrieb steht unter der Bedingung, dass dieses Gerät keine funktechnischen Störungen verursacht. (Lizenzierte Radios sind anwendbar);

Dieses Gerät entspricht Teil 15 der FCC-Regeln. Der Betrieb unterliegt den folgenden zwei Bedingungen:

(Andere Geräte sind anwendbar)

(1) Dieses Gerät darf keine funktechnischen Störungen verursachen und

(2) Dieses Gerät muss alle empfangenen Störungen akzeptieren, einschließlich Störungen, die einen unerwünschten Betrieb verursachen können.

(Gilt nur für GMRS-Radiosender):

Für den Betrieb einer GMRS-Station ist eine gültige Einzellizenz erforderlich. Um eine Individuelle Lizenz zu erhalten, muss ein Antragsteller berechtigt sein und die geltenden Regeln und Verfahren der FCC befolgen. Der Antragsteller muss die erforderlichen Antrags- und Regulierungsgebühren entrichten. Jede einzelne Lizenz im GMRS hat in der Regel eine Laufzeit von zehn Jahren ab dem Datum der Erteilung oder Erneuerung und kann gemäß den Verfahren der FCC verlängert werden. Um eine GMRS-Betreiberlizenz zu erhalten, benötigen Sie das FCC-Formular 605 & 159, wir empfehlen Ihnen, die FCC-Website unter <https://www.fcc.gov/wireless/sup-port/fcc-form-605> zu besuchen, die die erforderlichen Anweisungen enthält. Weitere Fragen zum Lizenzantrag erhalten Sie bei der FCC unter 1-888-225-5322 oder auf der Website der FCC: <http://www.fcc.gov>.

Gemäß den FCC-Regeln kann jede Person, die eine Einzellizenz besitzt, ihren unmittelbaren Familienmitgliedern erlauben, ihre GMRS-Station oder -Stationen zu betreiben. Unmittelbare Familienmitglieder sind der Ehepartner, Kinder, Enkel, Stiefkinder, Eltern, Großeltern, Stiefeltern, Brüder, Schwestern, Tanten, Onkel, Nichten, Neffen und Schwiegereltern des Lizenznehmers.

• (Gilt nur für industrielle Umgebungen) Dieses Gerät wurde getestet und erfüllt die Grenzwerte für ein digitales Gerät der Klasse A gemäß Teil 15 der FCC-Regeln. Diese Grenzwerte sollen einen angemessenen Schutz vor schädlichen Störungen bieten, wenn das Gerät in einer kommerziellen Umgebung betrieben wird. Dieses Gerät erzeugt, verwendet und kann Hochfrequenzenergie abstrahlen und kann, wenn es nicht in Übereinstimmung mit der Bedienungsanleitung installiert und verwendet wird, schädliche Störungen der Funkkommunikation verursachen. Der Betrieb dieser Geräte in einem Wohngebiet kann zu funktechnischen Störungen führen, in diesem Fall muss der Benutzer die Störung auf eigene Kosten korrigieren.

• (gilt nur für zu Hause) Dieses Gerät wurde getestet und entspricht den Grenzwerten für ein digitales Gerät der Klasse B gemäß Teil 15 der FCC-Regeln. Diese Grenzwerte sollen einen angemessenen Schutz vor schädlichen Störungen in einer Wohnanlage bieten. Dieses Gerät erzeugt, verwendet und kann Hochfrequenzenergie abstrahlen und kann, wenn es nicht gemäß den Anweisungen installiert und verwendet wird, funktechnische Störungen verursachen. Es gibt jedoch keine Garantie dafür, dass in einer bestimmten Installation keine Interferenzen auftreten. Wenn dieses Gerät schädliche Störungen des Radio- oder Fernsehempfangs verursacht, die durch Aus- und Einschalten des Geräts festgestellt werden können, wird der Benutzer aufgefordert, zu versuchen, die Störung durch eine oder mehrere der folgenden Maßnahmen zu beheben:

– Richten Sie die Empfangsantenne neu aus oder verlegen Sie sie.

– Vergrößern Sie den Abstand zwischen Gerät und Empfänger.

– Schließen Sie das Gerät an eine Steckdose an, die sich von dem Stromkreis unterscheidet, an den der Empfänger angeschlossen ist.

– Wenden Sie sich an den Händler oder einen erfahrenen Radio-/TV-Techniker, um Hilfe zu erhalten.

#### **CE-Anforderungen:**

• (Einfache EU-Konformitätserklärung) Shenzhen Retevis Technology Co., Ltd. erklärt, dass der Funkanlagentyp den grundlegenden Anforderungen und anderen relevanten Bestimmungen der RED-Richtlinie 2014/53/EU und der ROHS-Richtlinie 2011/65/EU und der WEEE-Richtlinie 2012/19/EU entspricht; der vollständige Text der EU-Konformitätserklärung ist unter folgender Internetadresse abrufbar: [www.retevis.com](http://www.retevis.com).

•Einschränkungsinformationen

Dieses Produkt kann in EU-Ländern und -Regionen verwendet werden, darunter: Belgien (BE), Bulgarien (BG), Tschechische Republik (CZ), Dänemark (DK), Deutschland (DE), Estland (EE), Irland (IE), Griechenland (EL), Spanien (ES), Frankreich (FR), Kroatien (HR), Italien (IT), Zypern (CY), Lettland (LV), Litauen (LT), Luxemburg (LU), Ungarn (HU), Malta (MT), Niederlande (NL), Österreich (AT), Polen (PL), Portugal (PT), Rumänien (RO), Slowenien (SI), Slowakei (SK), Finnland (FI), Schweden (SE) und Vereinigtes Königreich (UK).

Die Warnhinweise zur Frequenzbeschränkung entnehmen Sie bitte dem Paket.

#### •Entsorgung

Das durchgestrichene Müllersymbol auf Ihrem Produkt, Ihrer Literatur oder Ihrer Verpackung erinnert Sie daran, dass in der Europäischen Union alle elektrischen und elektronischen Produkte, Batterien und Akkumulatoren (Akkus) am Ende ihrer Lebensdauer an bestimmte Sammelstellen gebracht werden müssen. Entsorgen Sie diese Produkte nicht als unsortierten Siedlungsabfall. Entsorgen Sie sie gemäß den Gesetzen in Ihrer Nähe.



### IC-Anforderungen:

Lizenzbefreite Funkgeräte

Dieses Gerät enthält Lizenzfreie Sender/Empfänger, die den lizenzfreien RSS(s) von Innovation, Science and Economic Development Canada entsprechen. Der Betrieb unterliegt den folgenden zwei Bedingungen:

(1) Dieses Gerät darf keine Störungen verursachen.

(2) Dieses Gerät muss alle Störungen akzeptieren, einschließlich Störungen, die einen unerwünschten Betrieb des Geräts verursachen können.

Dieses Gerät entspricht den RSS von Industry Canada, die für lizenzbefreite Funkgeräte gelten. Die Verwertung ist unter den folgenden zwei Bedingungen zulässig:

(1) Das Gerät darf keine Störungen verursachen.

(2) Der Benutzer des Geräts muss jede erlittene Funkstörung akzeptieren, auch wenn die Störung den Betrieb beeinträchtigen könnte. RF Exposure Compliance und Steuerungsrichtlinien und Bedienungsanleitungen

• Occupational/Controlled Radio, dieses Funkgerät ist für "Occupational/Controlled Use Only" konzipiert und klassifiziert, was bedeutet, dass es nur während der Beschäftigung von Personen verwendet werden darf, die sich der Gefahren und der Möglichkeiten zur Minimierung solcher Gefahren bewusst sind; NICHT für die Verwendung in einer allgemeinen Bevölkerung / unkontrollierten Umgebung bestimmt.

• Allgemeine Bevölkerung / unkontrollierter Funk, dieser Funk ist für die "allgemeine Bevölkerung / unkontrollierte Nutzung" konzipiert und klassifiziert.

Um Ihre Exposition zu kontrollieren und die Einhaltung der Expositionsgrenzwerte am Arbeitsplatz/in kontrollierter Umgebung sicherzustellen, halten Sie sich immer an die folgenden Verfahren.

Wenn Sie vor dem Gesicht operieren, am Körper getragen, legen Sie das Radio immer in einen von Retevis zugelassenen Clip, Halter, Holster, Koffer oder Körpergurt für dieses Produkt. Die Verwendung von zugelassenem, am Körper getragenen Zubehör ist wichtig, da die Verwendung von nicht von Retevis zugelassenem Zubehör zu Expositionsniveaus führen kann, die die IEEE/CNIRP RF-Expositionsgrenzwerte überschreiten. Übertragen Sie nicht mehr als den Nennlastfaktor von 50% der Zeit. Drücken Sie zum Übertragen (Sprechen) die Taste Push to Talk (PTT). Um Anrufe zu empfangen (listen), lassen Sie die PTT-Taste los. Die Übertragung der notwendigen Informationen oder weniger ist wichtig, da das Funkgerät nur bei der Übertragung in Bezug auf die Messung der Normenkonformität eine messbare HF-Energieexposition erzeugt.

• Betreiben Sie das Funkgerät NICHT ohne angeschlossene Antenne, da dies das Funkgerät beschädigen und auch dazu führen kann, dass Sie die HF-Expositionsgrenzwerte überschreiten. Eine geeignete Antenne ist die vom Hersteller mit diesem Funkgerät gelieferte Antenne oder eine vom Hersteller speziell für die Verwendung mit diesem Funkgerät zugelassene Antenne, und der Antennengewinn darf die vom Hersteller angegebene Verstärkung nicht überschreiten.

• Senden Sie NICHT für mehr als 50% der gesamten Funknutzungszeit, mehr als 50% der Zeit kann dazu führen, dass die Anforderungen an die Einhaltung der HF-Exposition überschritten werden.

• Während der Übertragung erzeugt Ihr Funkgerät HF-Energie, die möglicherweise Interferenzen mit anderen Geräten oder Systemen verursachen kann. Um solche Störungen zu vermeiden, schalten Sie das Radio in Bereichen aus, in denen Schilder angebracht sind.

• Betreiben Sie den Sender NICHT in Bereichen, die empfindlich auf elektromagnetische Strahlung reagieren, wie Krankenhäuser, Flugzeuge und Sprengstellen.

• Tragbares Gerät, dieser Sender kann mit den in dieser Einreichung dokumentierten Antennen in Push-to-Talk- und am Körper getragenen Konfigurationen betrieben werden. Die HF-Expositionskonformität ist auf die spezifischen Gürtelclip- und Zubehörkonfigurationen beschränkt, wie in dieser Anmeldung dokumentiert, und der Abstand zwischen Kopf und Gerät oder Antenne muss mindestens 2,5 cm betragen.

• Mobiles Gerät, während des Betriebs unterliegt der Trennungsabstand zwischen Benutzer und Antenne den tatsächlichen Vorschriften, dieser Trennungsabstand stellt sicher, dass ein ausreichender Abstand zu einer

ordnungsgemäß installierten extern montierten Antenne besteht, um die HF-Expositionsanforderungen zu erfüllen.

Senden Sie nur, wenn Personen außerhalb des Fahrzeugs mindestens den empfohlenen Mindestlateralabstand von einer ordnungsgemäß installierten, gemäß Einbauanleitung installierten, extern montierten Antenne entfernt sind.



### Handheld-Modus (falls zutreffend)

• Halten Sie das Radio in einer vertikalen Position mit dem Mikrofon (und anderen Teilen des Radios einschließlich der Antenne) mindestens 2,5 cm (ein Zoll) von der Nase oder den Lippen entfernt. Die Antenne sollte von den Augen ferngehalten werden. Es ist wichtig, das Funkgerät in einem angemessenen Abstand zu halten, da die HF-Exposition mit zunehmender Entfernung von der Antenne abnimmt.

Telefonmodus (falls zutreffend)

• Wenn Sie einen Anruf tätigen oder empfangen, halten Sie Ihr Funkprodukt wie ein Drahtloses Telefon. Sprechen Sie direkt in das Mikrofon. Verwenden Sie das Gerät nicht, wenn Sie fahren

Elektromagnetische Störungen/Verträglichkeit

HINWEIS: Fast jedes elektronische Gerät ist anfällig für elektromagnetische Störungen (EMI), wenn es unzureichend abgeschirmt, entworfen oder anderweitig für elektromagnetische Verträglichkeit konfiguriert ist.

### Erstickungsgefahr vermeiden



Kleinteile. Nicht für Kinder unter 3 Jahren.

### Schalten Sie das Funkgerät unter den folgenden Bedingungen aus:



• Schalten Sie Ihr Radio aus, bevor Sie eine Batterie oder ein Zubehör entfernen (installieren) oder wenn Sie den Akku aufladen.

• Schalten Sie Ihr Radio aus, wenn Sie sich in einer potenziell gefährlichen Umgebung befinden: In der Nähe von elektrischen Strahlkappen, in einem Strahlbereich, in explosionsgefährdeten Bereichen (brennbares Gas, Staubpartikel, metallische Pulver, Getreidepulver usw.).

• Schalten Sie Ihr Radio aus, während Sie Kraftstoff aufnehmen oder an Tankstellen parken.

Zur Vermeidung elektromagnetischer Störungen und/oder Kompatibilitätskonflikte

• Schalten Sie Ihr Radio in jeder Einrichtung aus, in der Sie in Benachrichtigungen dazu aufgefordert werden, Krankenhäuser oder Gesundheitseinrichtungen (Herzschrittmacher, Hörgeräte und andere medizinische Geräte) verwenden möglicherweise Geräte, die empfindlich auf externe HF-Energie reagieren.

• Schalten Sie Ihr Radio aus, wenn Sie sich an Bord eines Flugzeugs befinden. Jede Verwendung eines Funkgeräts muss in Übereinstimmung mit den geltenden Vorschriften gemäß den Anweisungen der Flugbesatzung erfolgen.

### Schützen Sie Ihr Gehör:



• Verwenden Sie das niedrigste Volumen, das für Ihre Arbeit erforderlich ist.

• Erhöhen Sie die Lautstärke nur, wenn Sie sich in einer lauten Umgebung befinden.

• Verringern Sie die Lautstärke, bevor Sie ein Headset oder einen Ohrhörer hinzufügen.

• Begrenzen Sie die Zeit, die Sie Headsets oder Ohrhörer mit hoher Lautstärke verwenden.

• Wenn Sie das Radio ohne Headset oder Ohrhörer verwenden, platzieren Sie den Lautsprecher des Radios nicht direkt an Ihrem Ohr

• Verwenden Sie vorsichtig mit dem Kopfhörer möglicherweise übermäßigen Schalldruck von Kopfhörern und Kopfhörern kann Hörverlust verursachen

Hinweis: Die Exposition gegenüber lauten Geräuschen aus einer beliebigen Quelle über einen längeren Zeitraum kann Ihr Gehör vorübergehend oder dauerhaft beeinträchtigen. Je lauter die Lautstärke des Radios ist, desto weniger Zeit wird benötigt, bevor Ihr Gehör beeinträchtigt werden kann. Hörschäden durch laute Geräusche sind manchmal zunächst nicht nachweisbar und können kumulativ wirken.

### Verbrennungen vermeiden



Antennen

• Verwenden Sie keine tragbaren Funkgeräte mit einer beschädigten Antenne. Kommt eine beschädigte Antenne bei der Benutzung des Funkgeräts mit der Haut in Berührung, kann es zu einer leichten Verbrennung kommen.

Batterien (falls zutreffend)

- Wenn das leitfähige Material wie Schmuck, Schlüssel oder Ketten freiliegende Anschlüsse der Batterien berührt, einen Stromkreis vervollständigen (Kurzschluss der Batterie) und heiß werden kann, um Körperverletzungen wie Verbrennungen zu verursachen. Seien Sie vorsichtig im Umgang mit einer Batterie, insbesondere wenn Sie sie in eine Tasche, Handtasche oder einen anderen Behälter mit Metallgegenständen legen
  - **BATTERIEWARNUNG: AUßERHALB DER REICHWEITE VON KINDERN AUFBEWAHREN**
  - Lagern Sie Ersatzbatterien sicher
  - Wenn das Batteriefach (falls zutreffend) nicht sicher schließt, beenden Sie die Verwendung des Produkts und halten Sie es von Kindern fern.
  - Wenn Sie der Meinung sind, dass Batterien verschluckt oder in einem Körperteil platziert wurden, suchen Sie sofort einen Arzt auf.
  - Altbatterien sofort und sicher entsorgen
- Lange Übertragung
- Wenn der Transceiver für lange Übertragungen verwendet wird, werden der Kühler und das Gehäuse heiß.

### Sicherer Betrieb



Verboten

- Verwenden Sie das Ladegerät nicht im Freien oder in feuchten Umgebungen, sondern nur an trockenen Orten/Bedingungen.
- Zerlegen Sie das Ladegerät nicht, da dies zu einem elektrischen Schlag oder Feuer führen kann.
- Betätigen Sie das Ladegerät nicht, wenn es kaputt oder in irgendeiner Weise beschädigt wurde.
- Platzieren Sie kein tragbares Funkgerät im Bereich über einem Airbag oder im Airbag-Auslösbereich. Das Funkgerät kann mit großer Kraft angetrieben werden und schwere Verletzungen der Fahrzeuginsassen verursachen, wenn sich der Airbag aufbläst.

Um das Risiko zu reduzieren

- Ziehen Sie beim Trennen des Ladegeräts am Stecker und nicht am Kabel.
- Ziehen Sie das Ladegerät von der Steckdose ab, bevor Sie eine Wartung oder Reinigung durchführen.
- Wenden Sie sich an Retevis, um Unterstützung bei Reparaturen und Service zu erhalten.
- Der Adapter muss in der Nähe des Geräts angebracht und leicht zugänglich sein.

### Zugelassenes Zubehör



• Dieses Funkgerät erfüllt die HF-Belichtungsrichtlinien, wenn es mit dem mitgelieferten oder für das Produkt vorgesehenen Retevis-Zubehör verwendet wird. Die Verwendung von anderem Zubehör gewährleistet möglicherweise nicht die Einhaltung der HF-Expositionsrichtlinien und verstößt möglicherweise gegen Vorschriften.

- Eine Liste des von Retevis zugelassenen Zubehörs für Ihr Radiomodell finden Sie auf der folgenden Website: <http://www.Retevis.com>



**CE FC RoHS**



**Shenzhen Retevis Technology Co.,Ltd.**

7/F, 13-C, Zhonghaixin Science&Technology Park, No.12 Ganli  
6th Road, Jihua Street, Longgang District, Shenzhen, China

Web:[www.retevis.com](http://www.retevis.com)

E-mail:[kam@retevis.com](mailto:kam@retevis.com)

Facebook:[facebook.com/retevis](https://facebook.com/retevis)



MADE IN CHINA