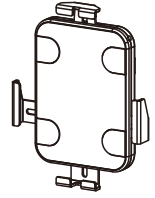


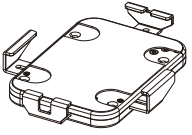

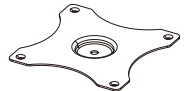








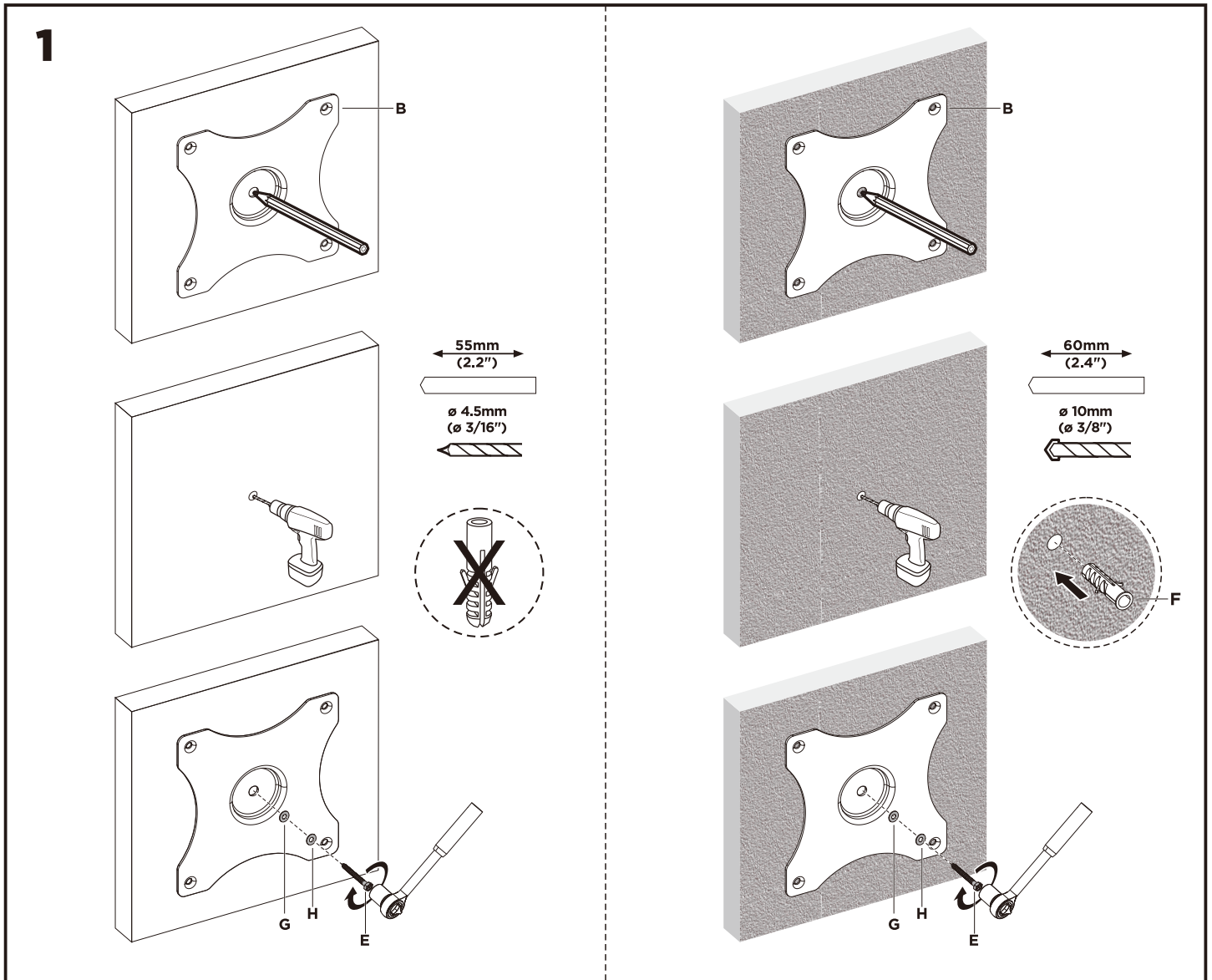
MACLEAN BRACKETS

MC-469W

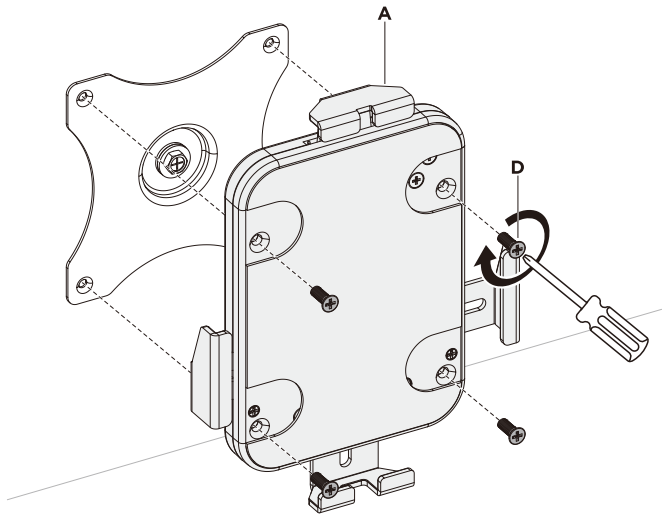


EN	Universal Anti-Theft Tablet Wall Mount
PL	Uchwyt do tabletu ścienny z blokadą
DE	Universelle Anti-Diebstahl-Tablet-Wandhalterung
FR	Support mural universel antivol pour tablette
ES	Soporte de pared universal antirrobo para tabletas
IT	Supporto da parete universale antifurto per tablet

ITEM	DESCRIPTION	QUANTITY	ITEM	DESCRIPTION	QUANTITY
A	 anti-theft box	1	E	 ST6.3x55	1
B	 mounting plate	1	F	 expansion anchor	1
C	 2mm silicone pad	4	G	 plastic D6 washer	1
D	 M5x20 socket screw	4	H	 metallic D6 washer	1
			I	 Ø4mm anti-theft wrench	1



2



3

