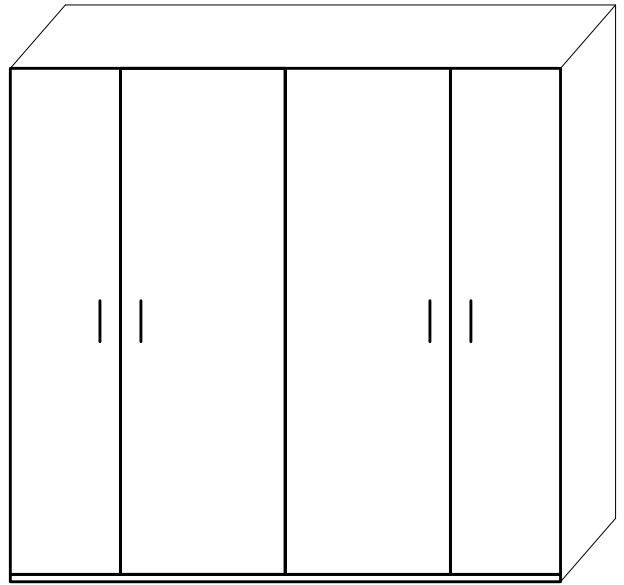
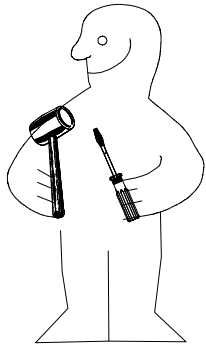
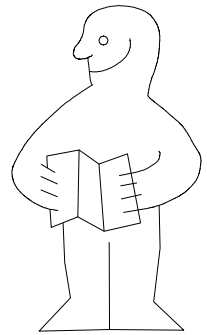
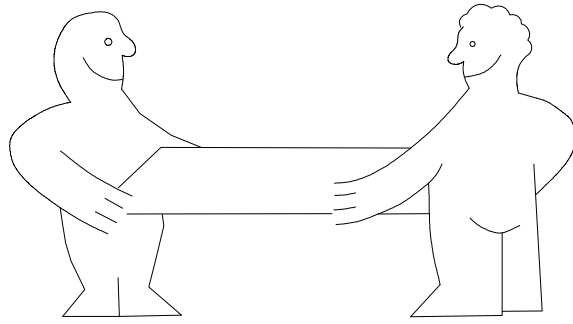
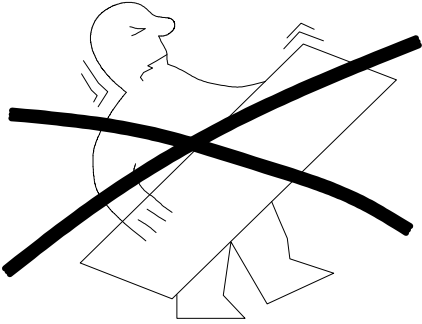


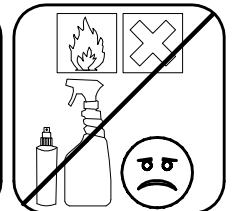
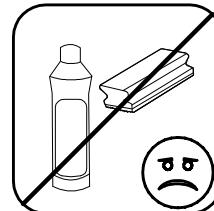
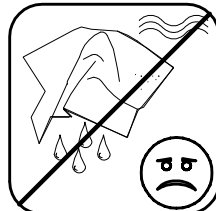
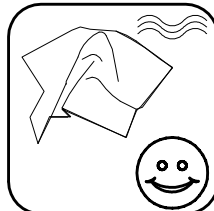
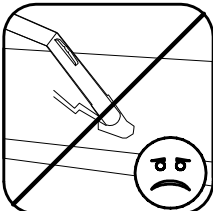
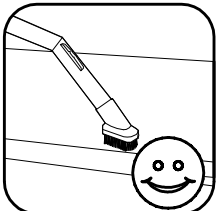
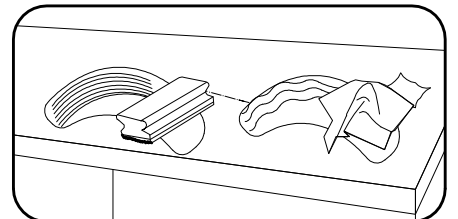
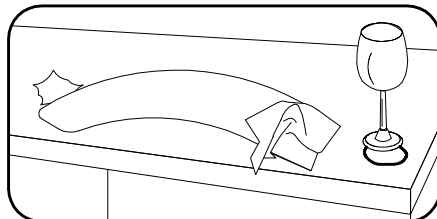
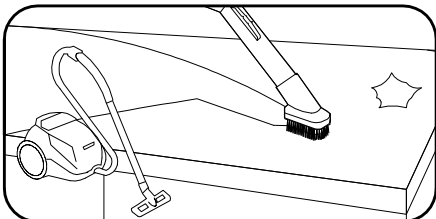
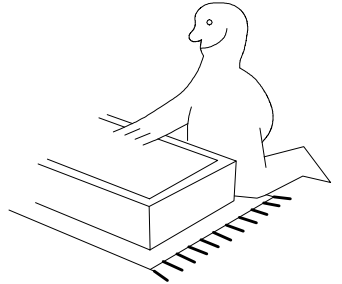
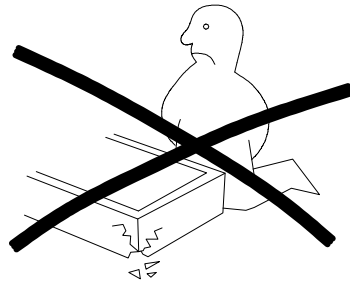
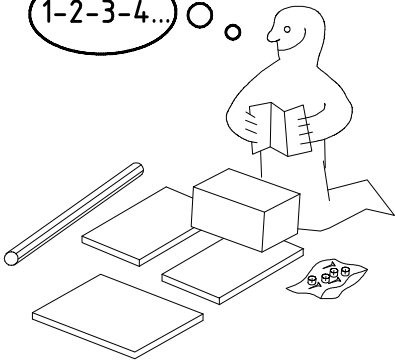
980750



225 NSP 1MS 4EB



1-2-3-4...


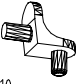
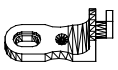



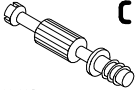
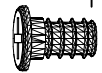
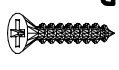

980750


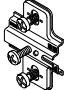

11.11.09 / 22.04.16

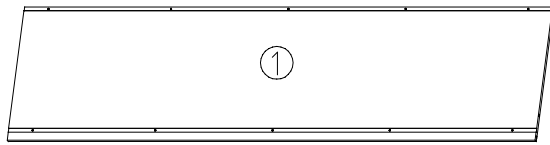
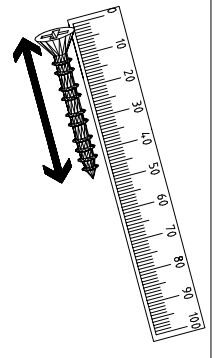
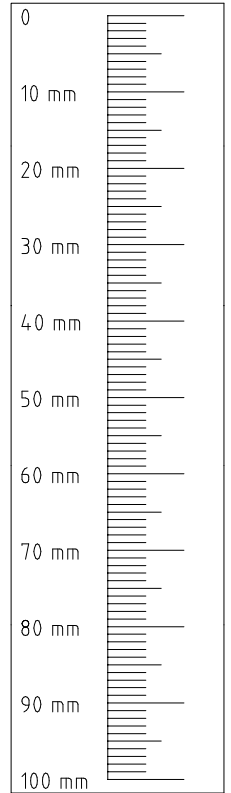
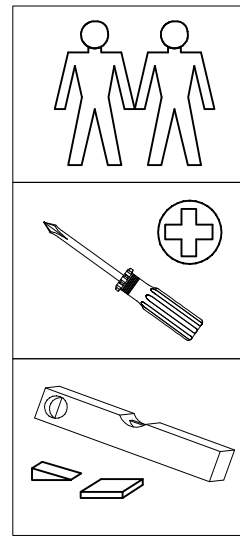
04 16

1/8

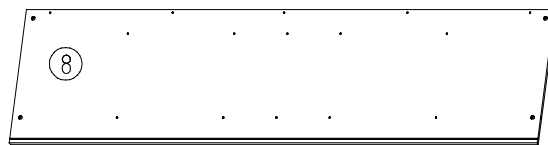
 111 102	A 12x
 111 610	L7 16x
 111 174	J1 4x
 117 001	K1 2x

 111 103	C 12x
 121 181 M6 x 11 mm	T6 4x
 121 375 3,5 x 35 mm	G14 10x
 121 370 3,5 x 15 mm	G1 6x

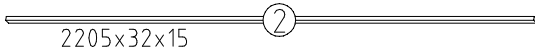
 1088mm	K22 1x
 112 404	M 12x
 112 267	N 12x



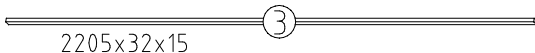
2205x560x15



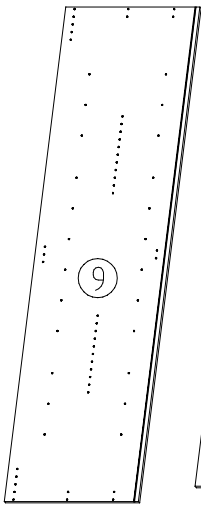
2205x560x15



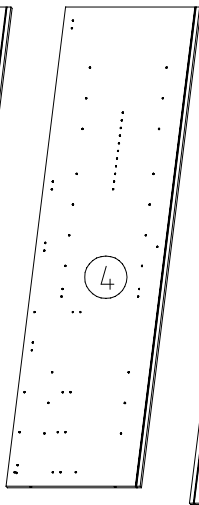
2205x32x15



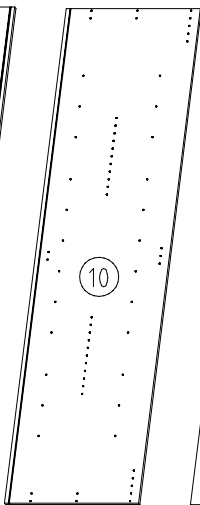
2205x32x15



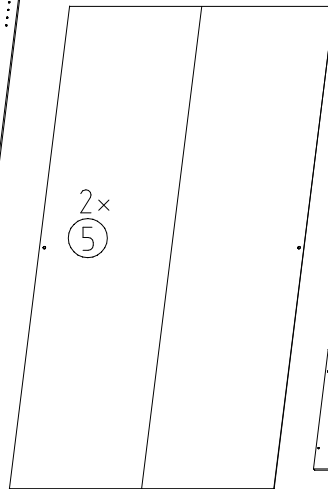
2064x560x15



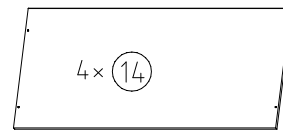
2001x560x15



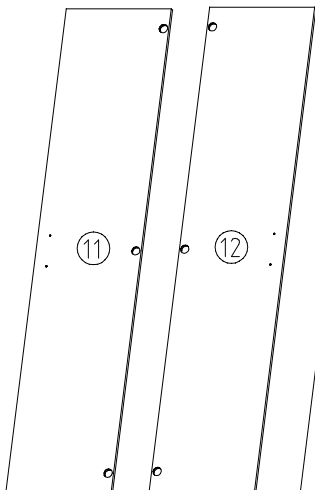
2064x560x15



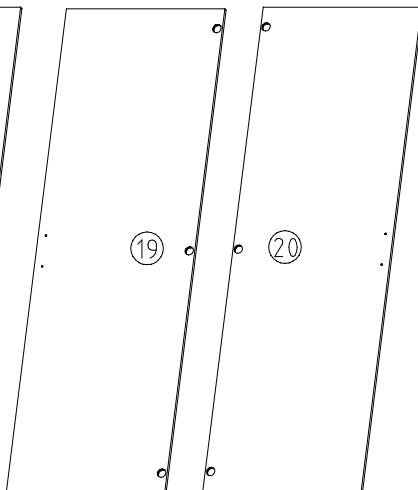
2015x1104x2,5



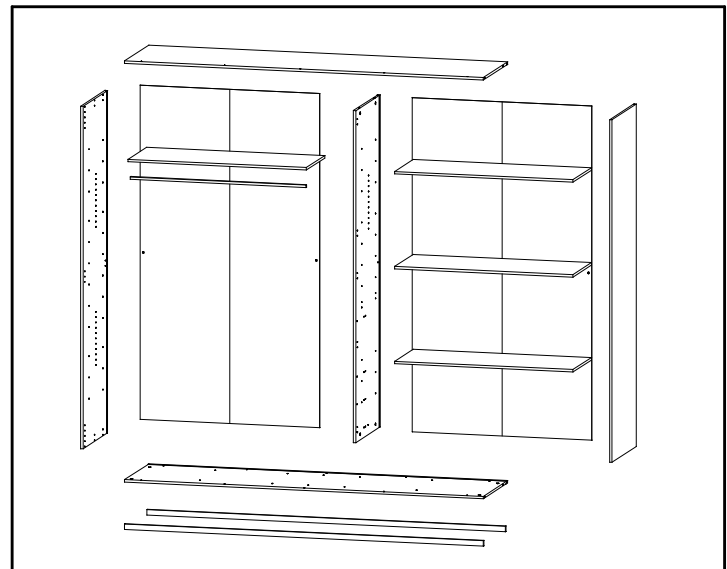
1095x500x18



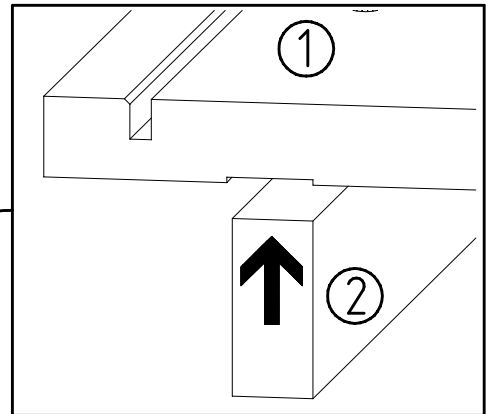
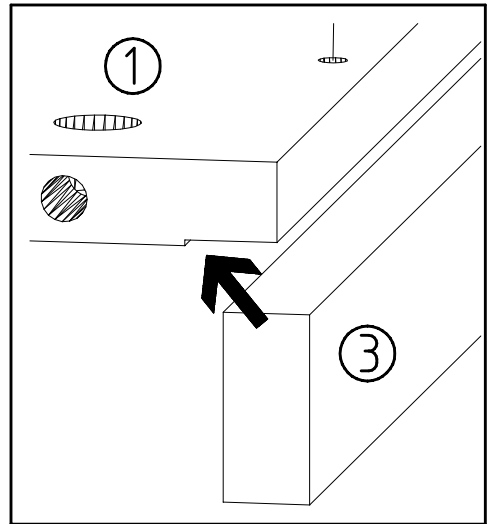
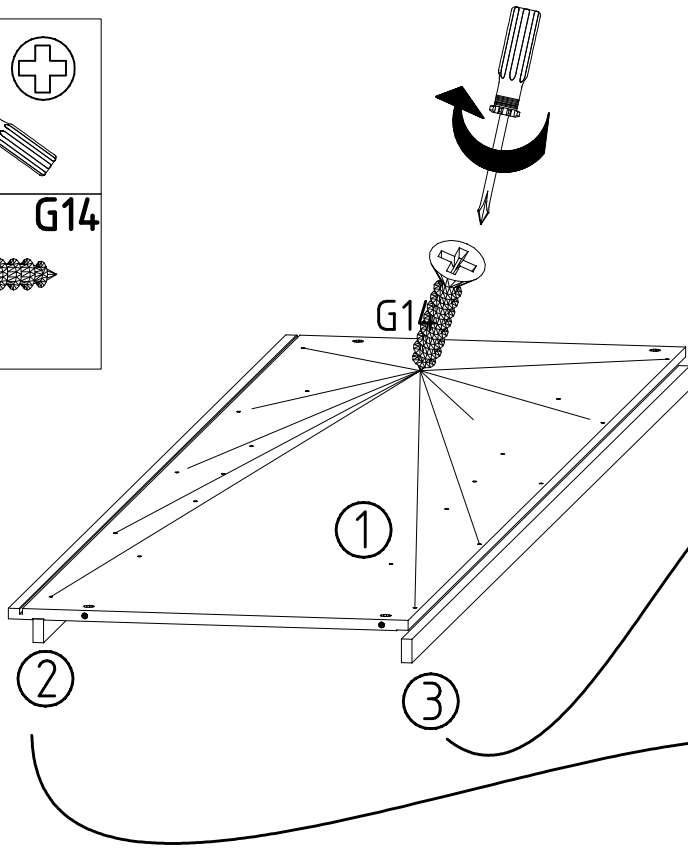
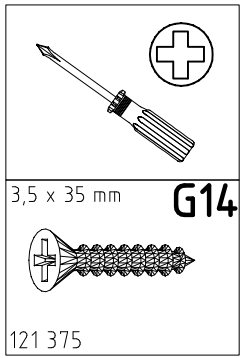
2021x439x15 2021x439x15



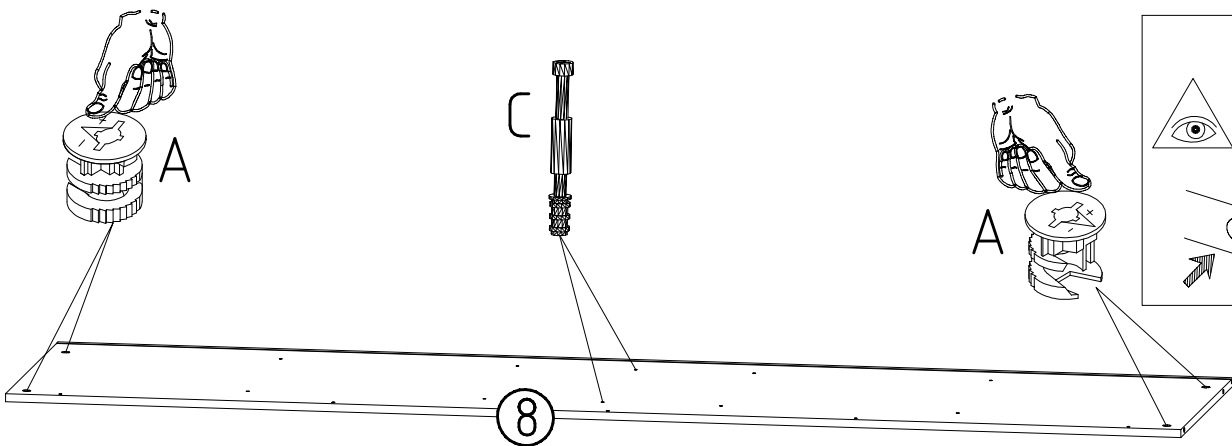
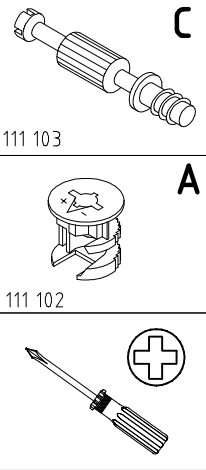
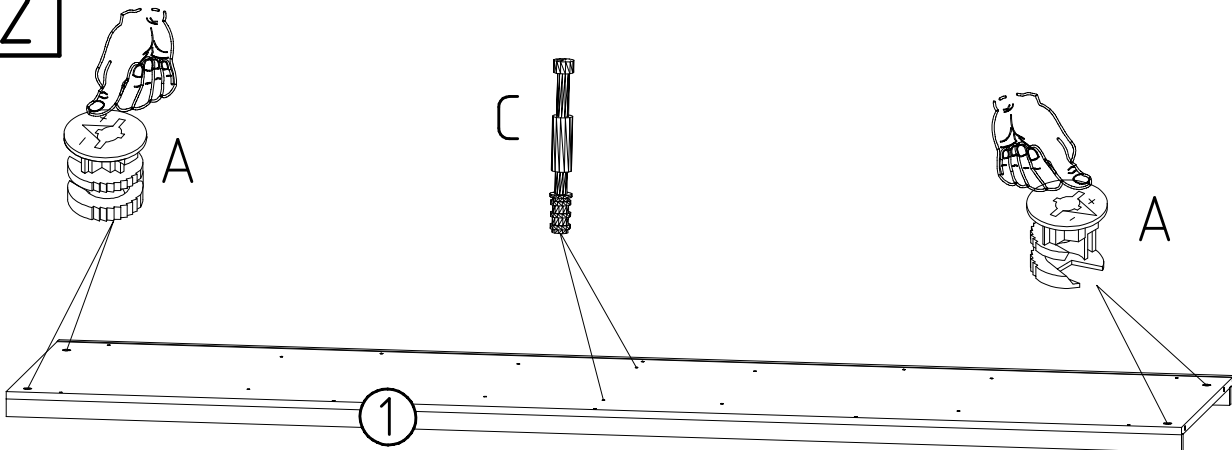
2021x661x15 2021x661x15



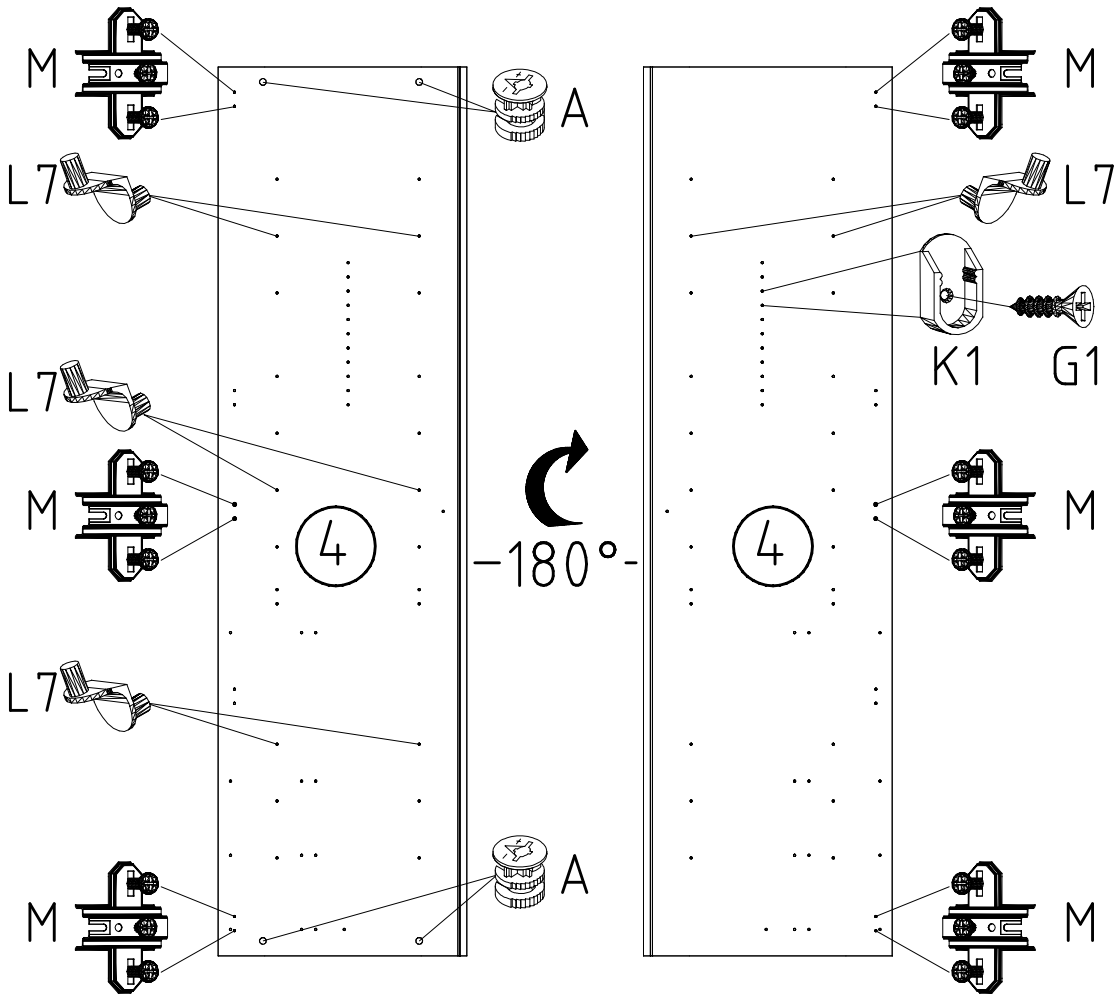
1

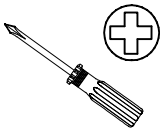

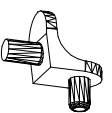
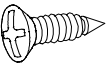

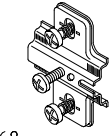
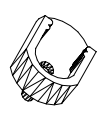



2

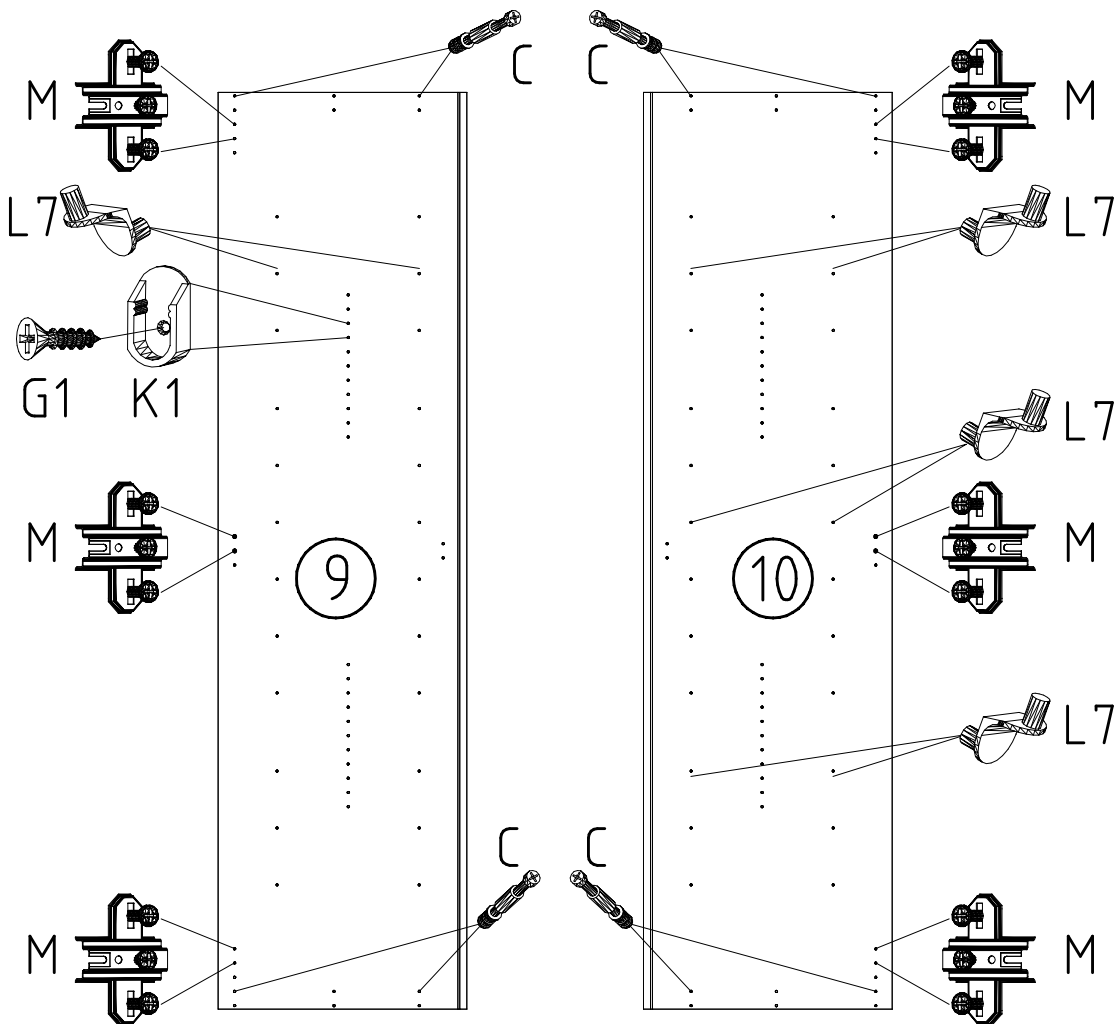


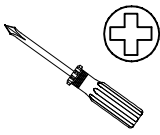

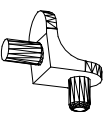
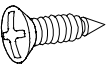
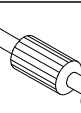
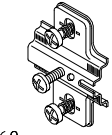
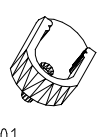
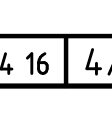
3



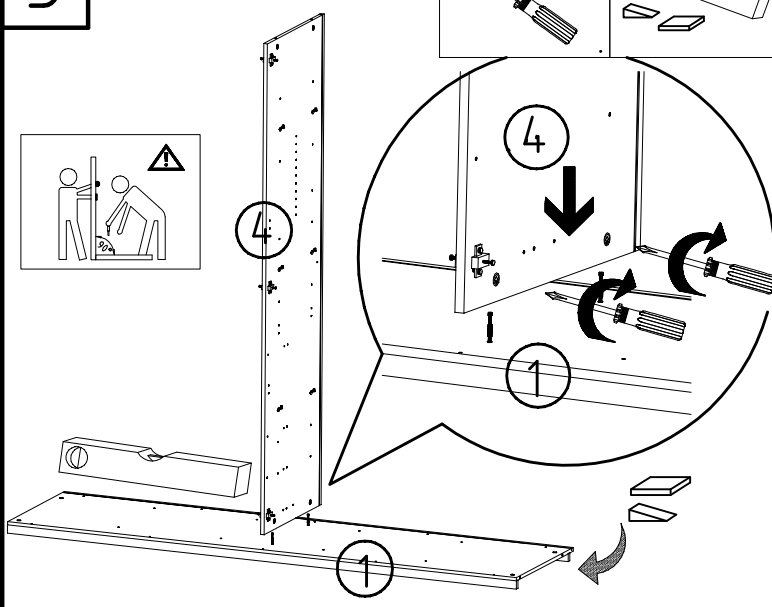
-  
-  L7
- 111 610
3,5 x 15 mm  G1
- 121 370  A
- 111 102  M
- 112 268  K1
- 117 001 

4

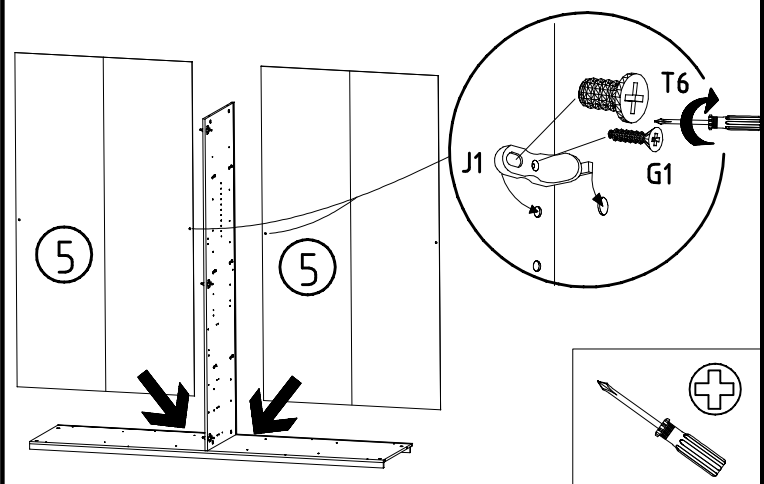
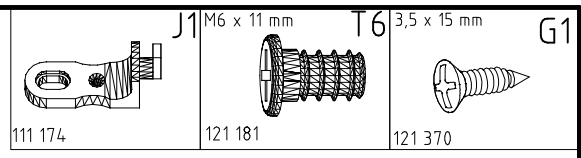


-  
-  L7
- 111 610
3,5 x 15 mm  G1
- 121 370  C
- 111 103  M
- 112 268  K1
- 117 001 

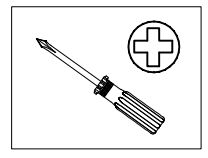
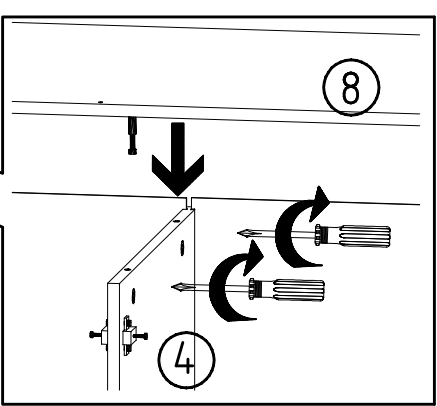
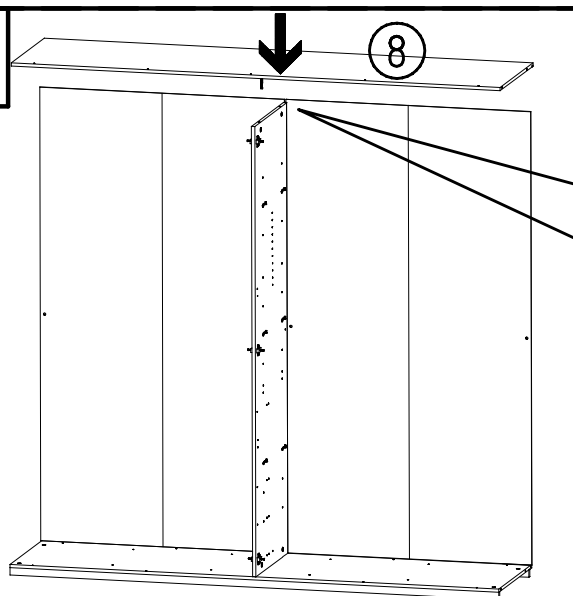
5



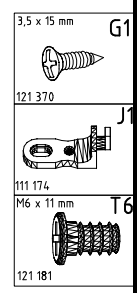
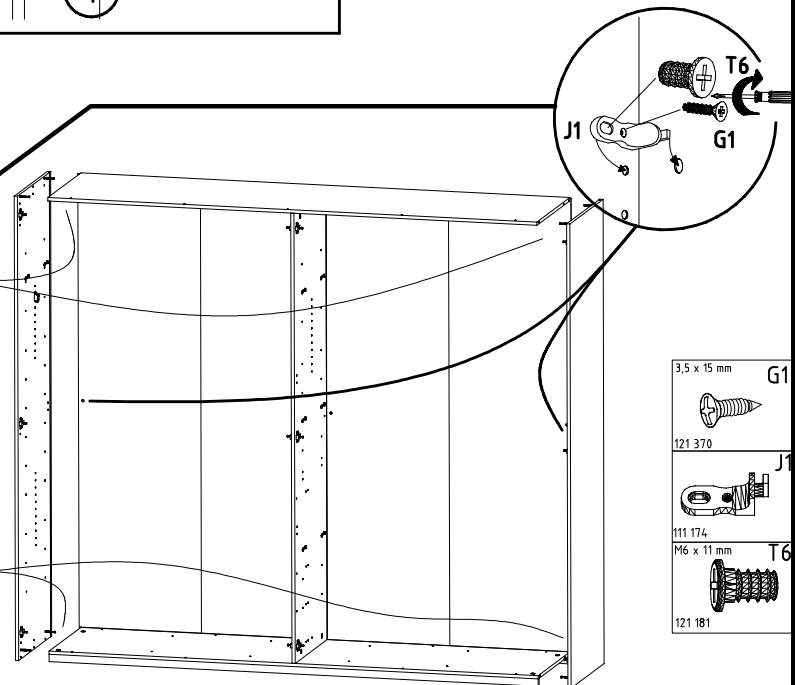
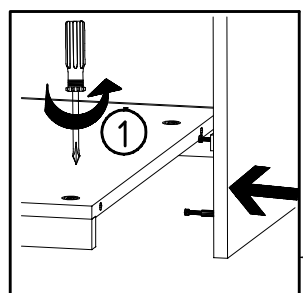
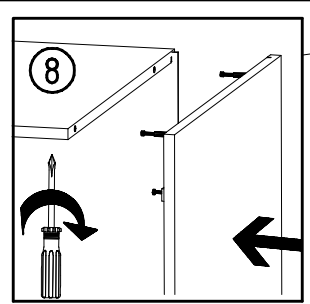
6



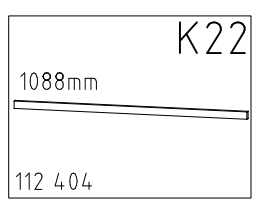
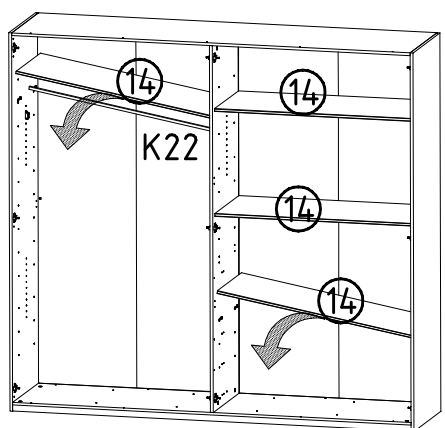
7



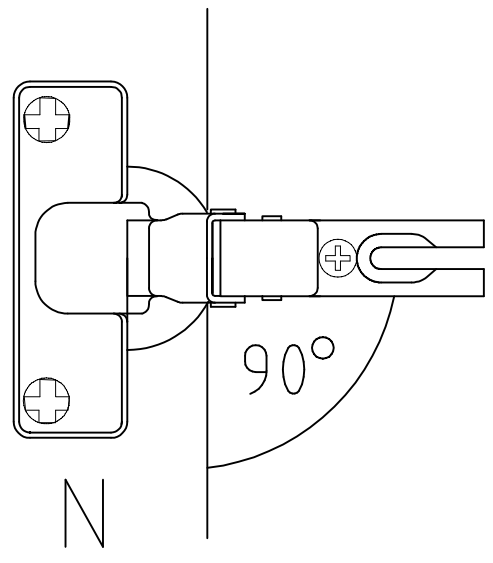
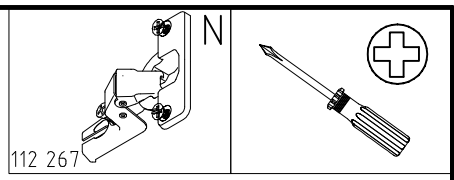
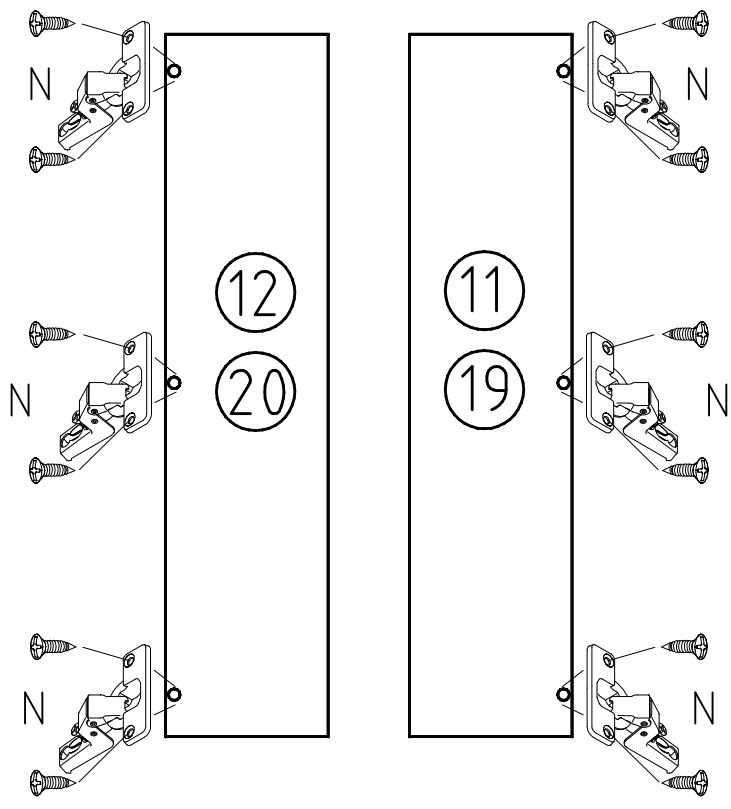
8



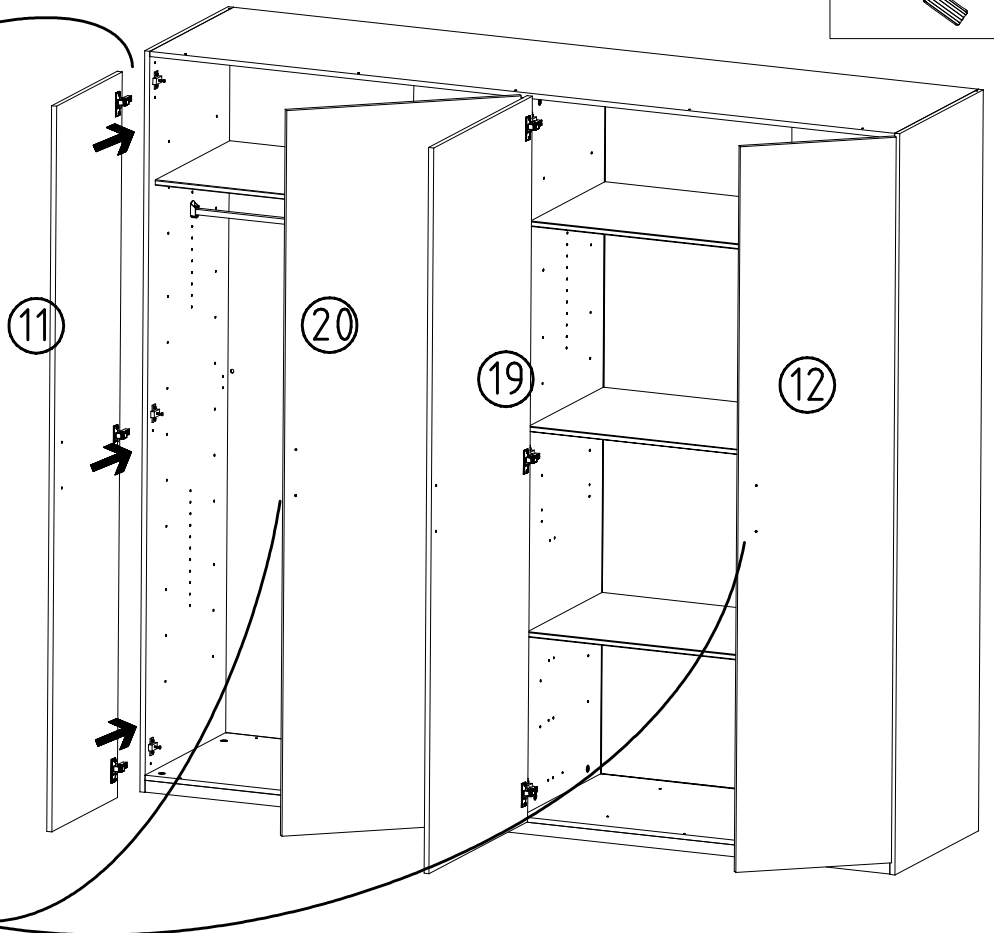
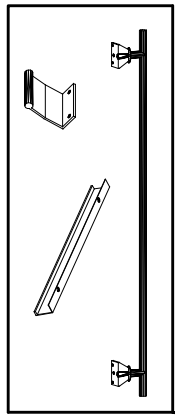
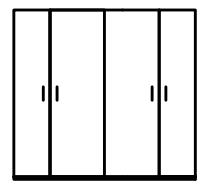
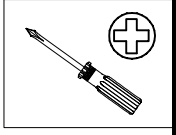
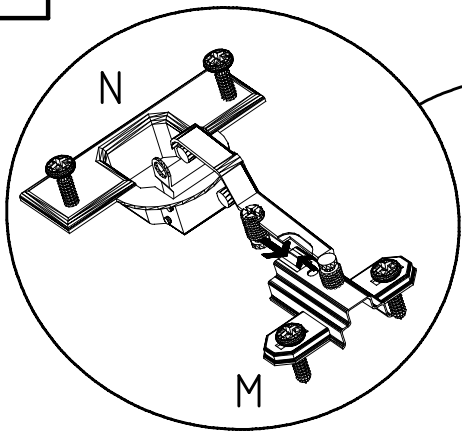
9

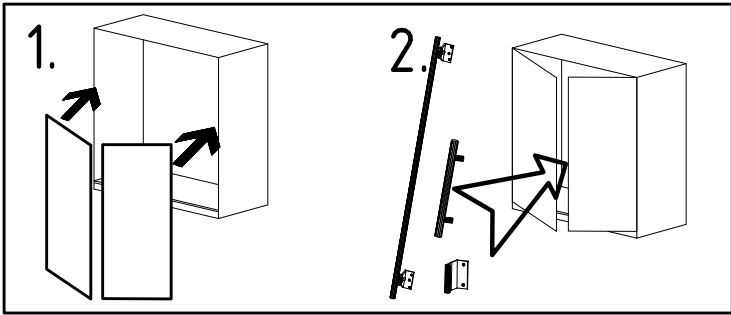
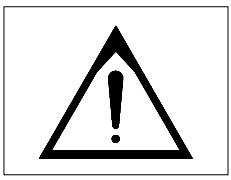


10

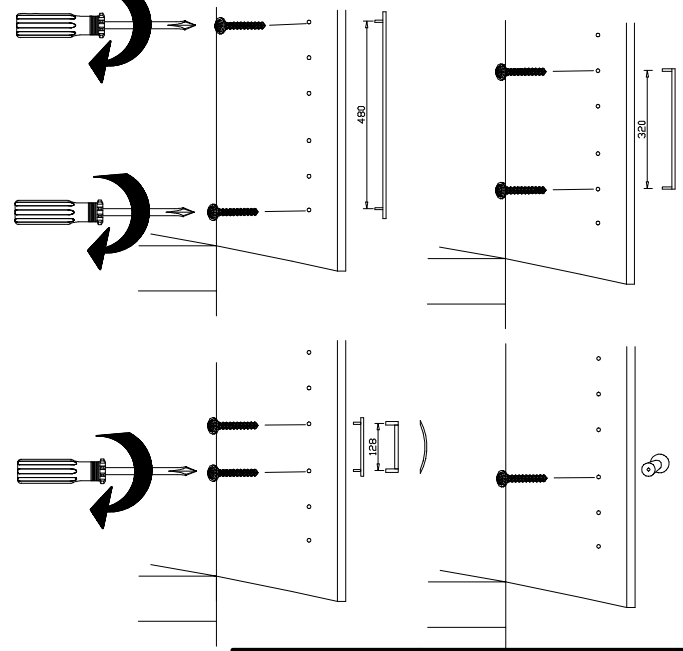
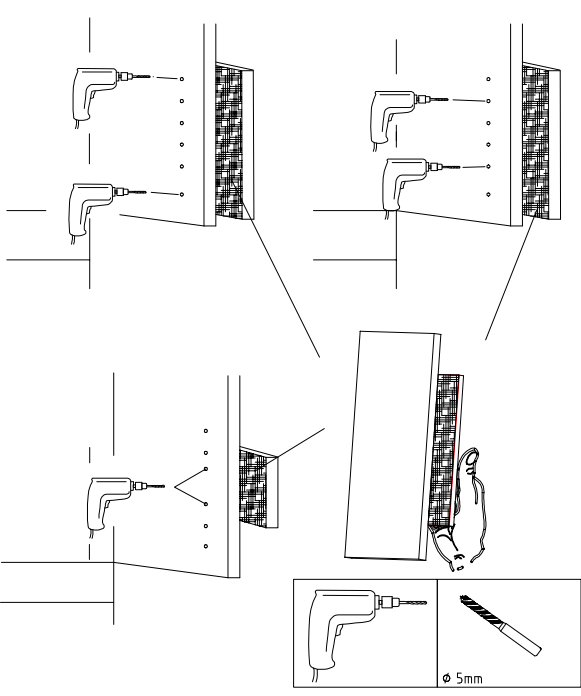
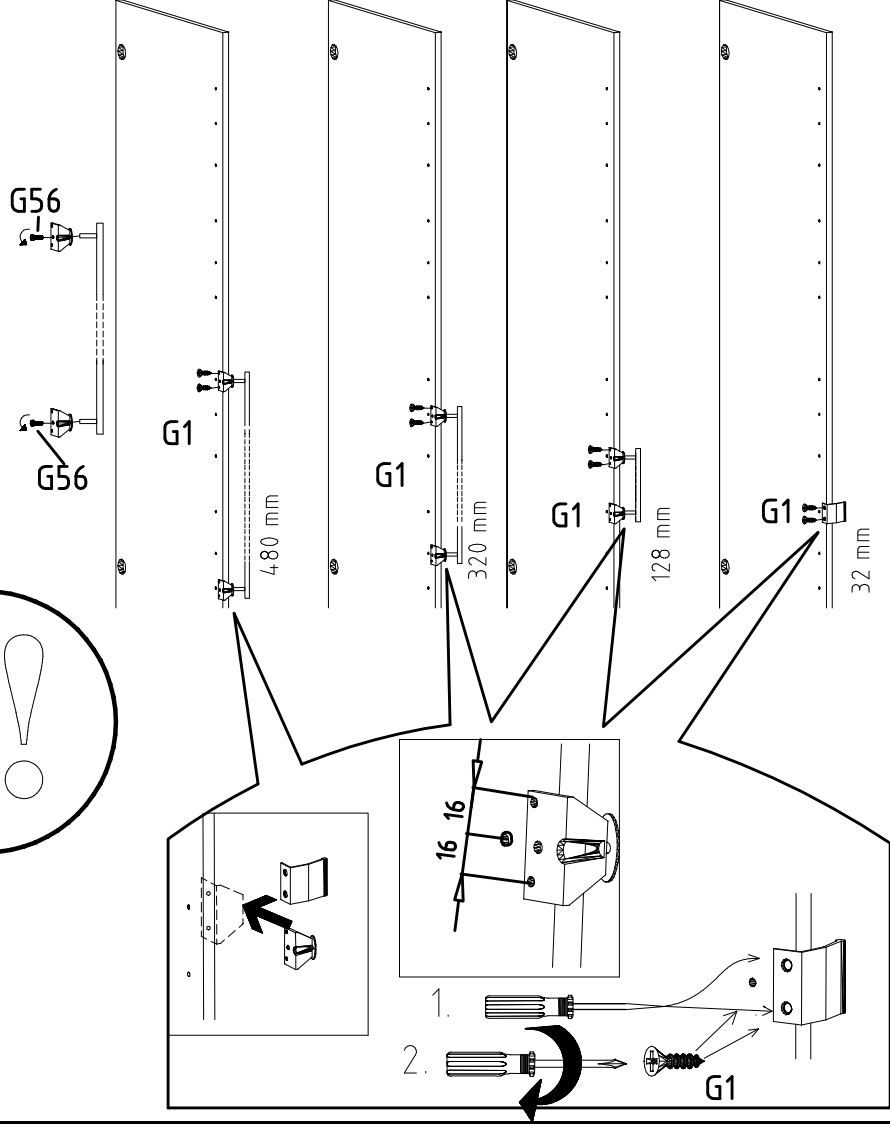
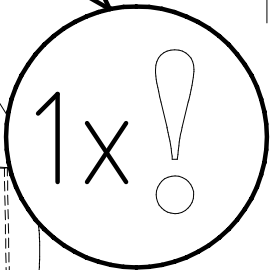
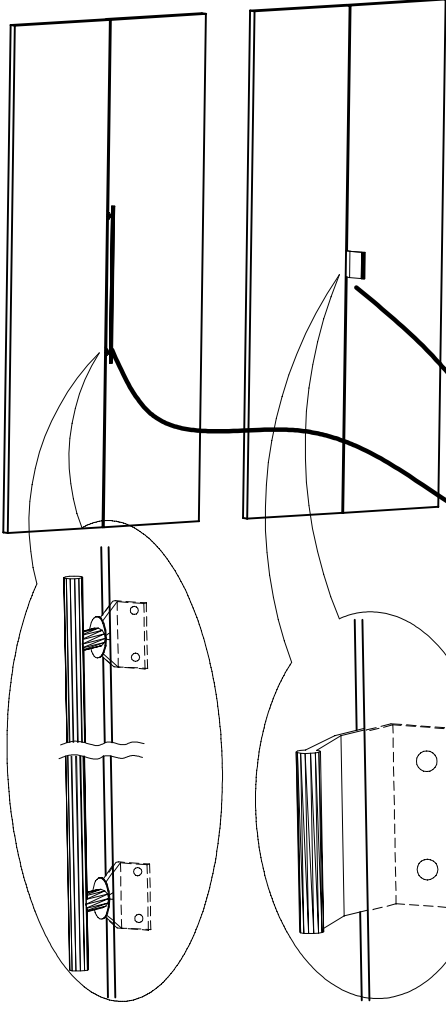


11





3,5 x 15 mm 121 370	G1	4,0 x 12 mm 122 625	G56
------------------------	----	------------------------	-----



SP27
4 X 27mm
122620
4,0x22
G49
122 609

