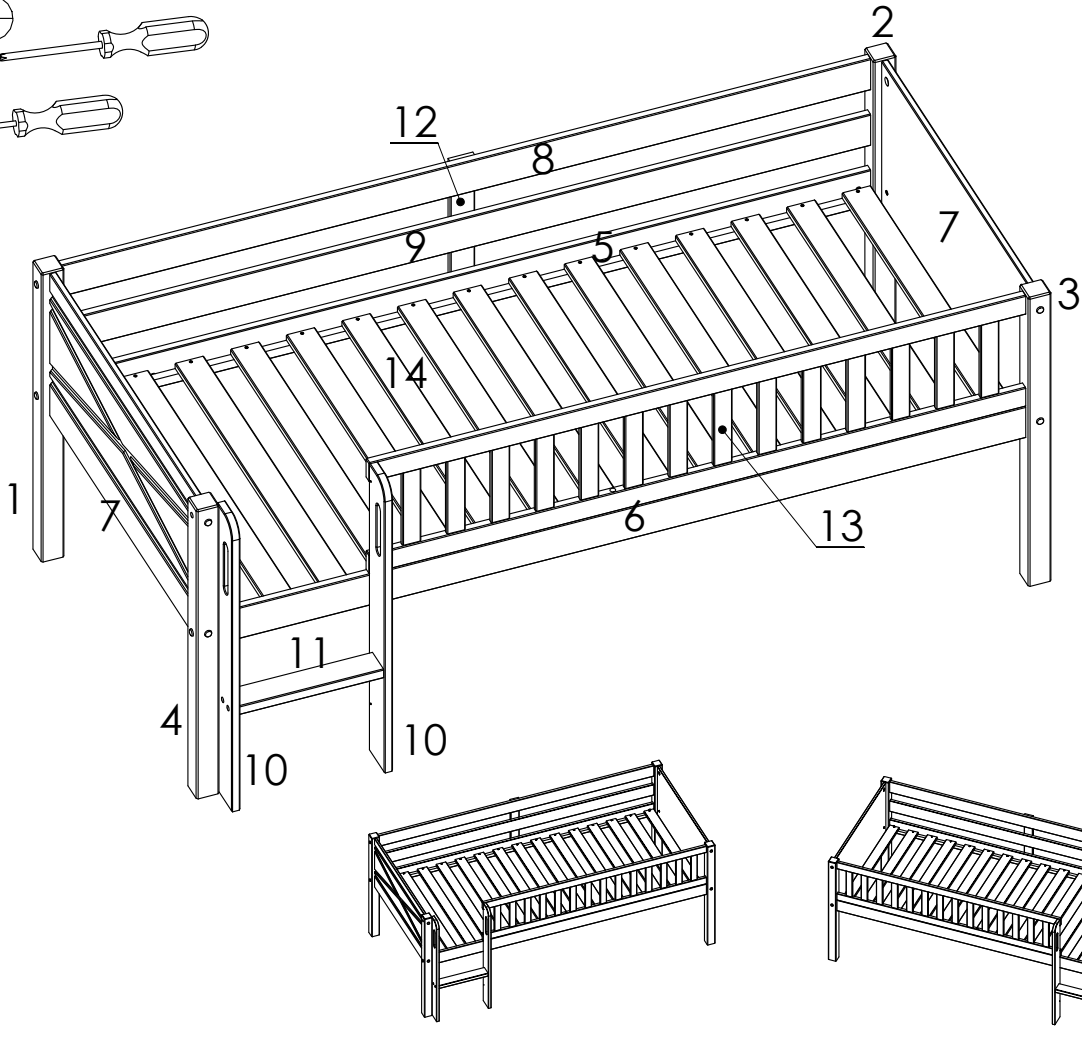
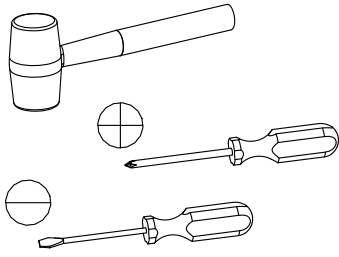


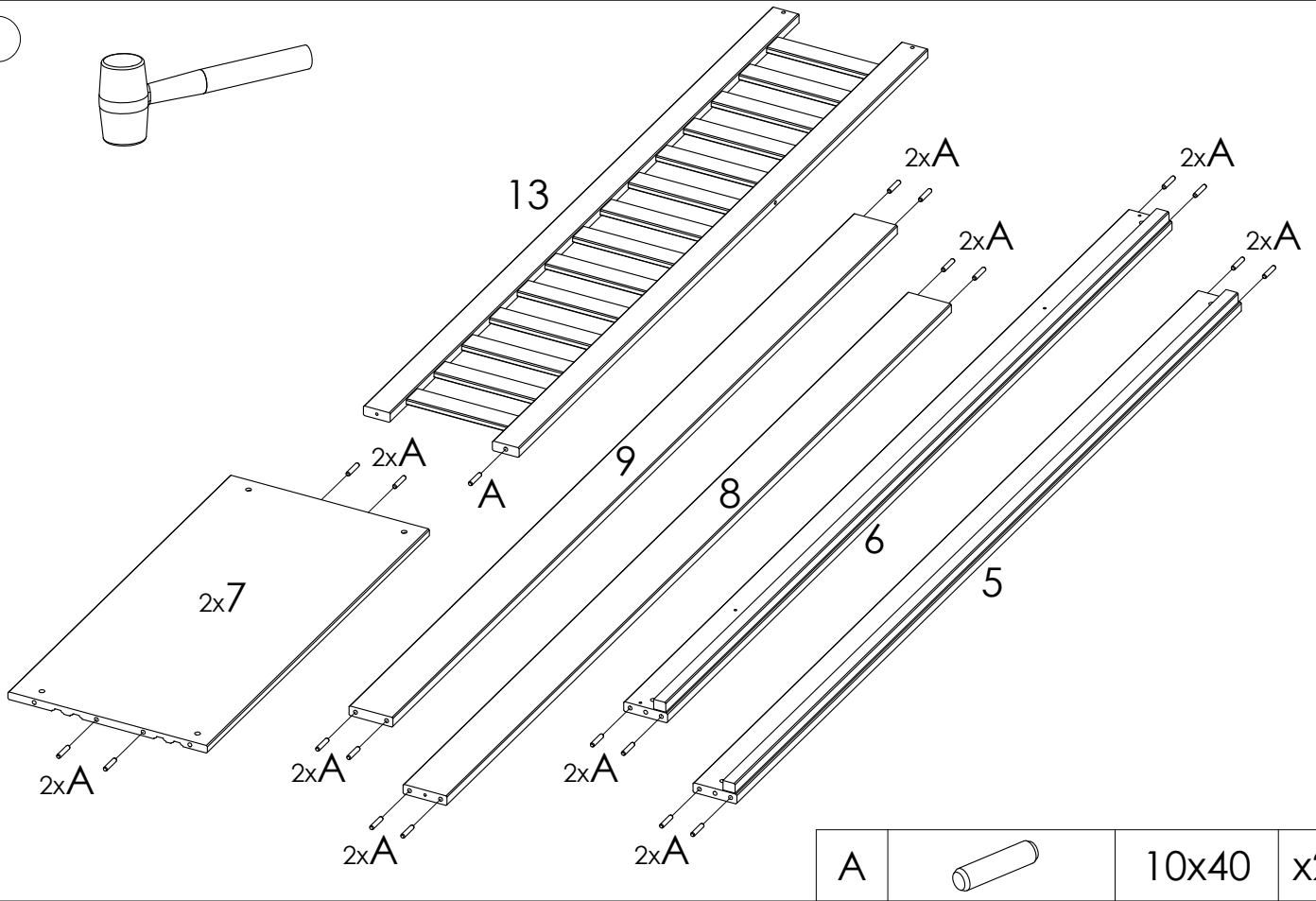
45 min

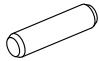


A		8x40	x25
B		6,3x90	x3
C		M6x90	x12
D		M6x10x13	x12
E		7x90	x1
F		7x50	x4
G		57/12,5x5,5	x4
H		3,5x40	x30
J		4,2x35	x2
K		5x30	x6

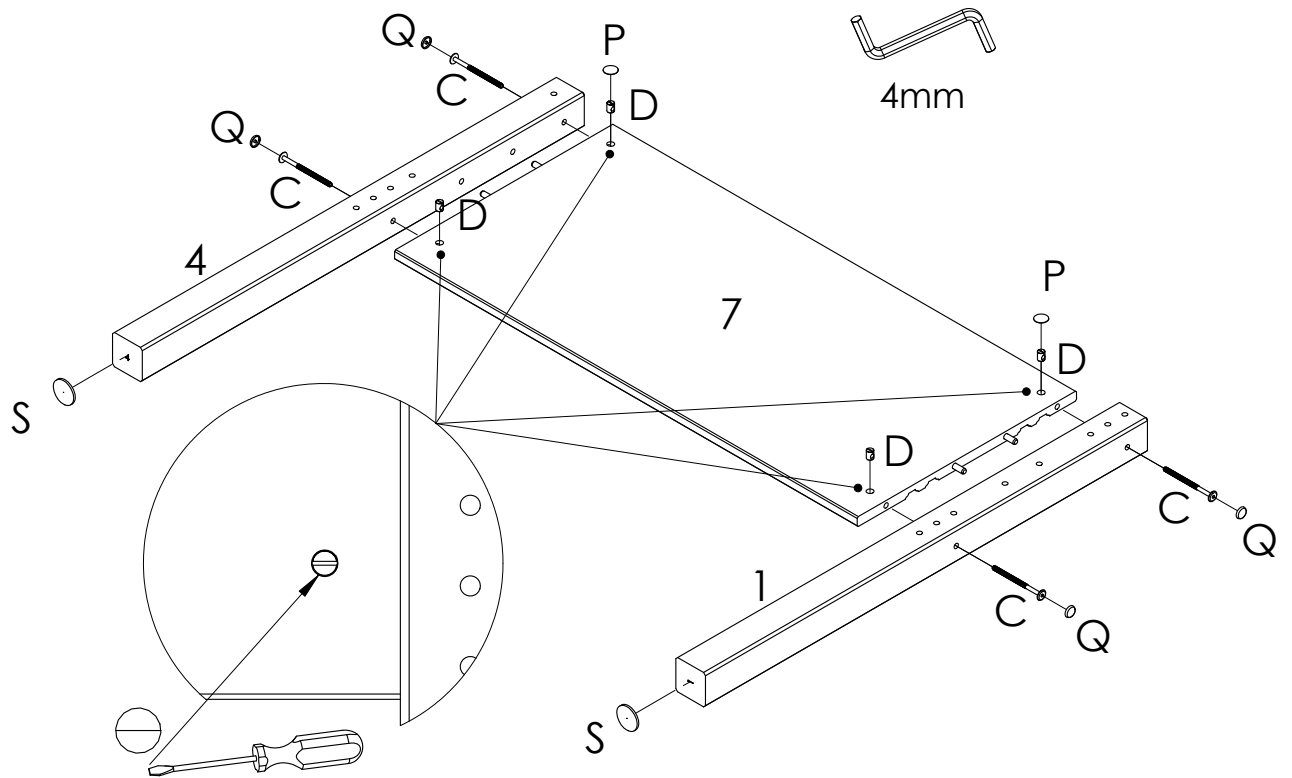
N		D4x13	x5
P		D20	x4
Q		D15x18	x15
R		D8x13	x2
S		38x3mm	x4
T		17x3mm	x4
U		65x47x3	x2
V		4mm	x1



①






A		10x40	x25
---	--	-------	-----

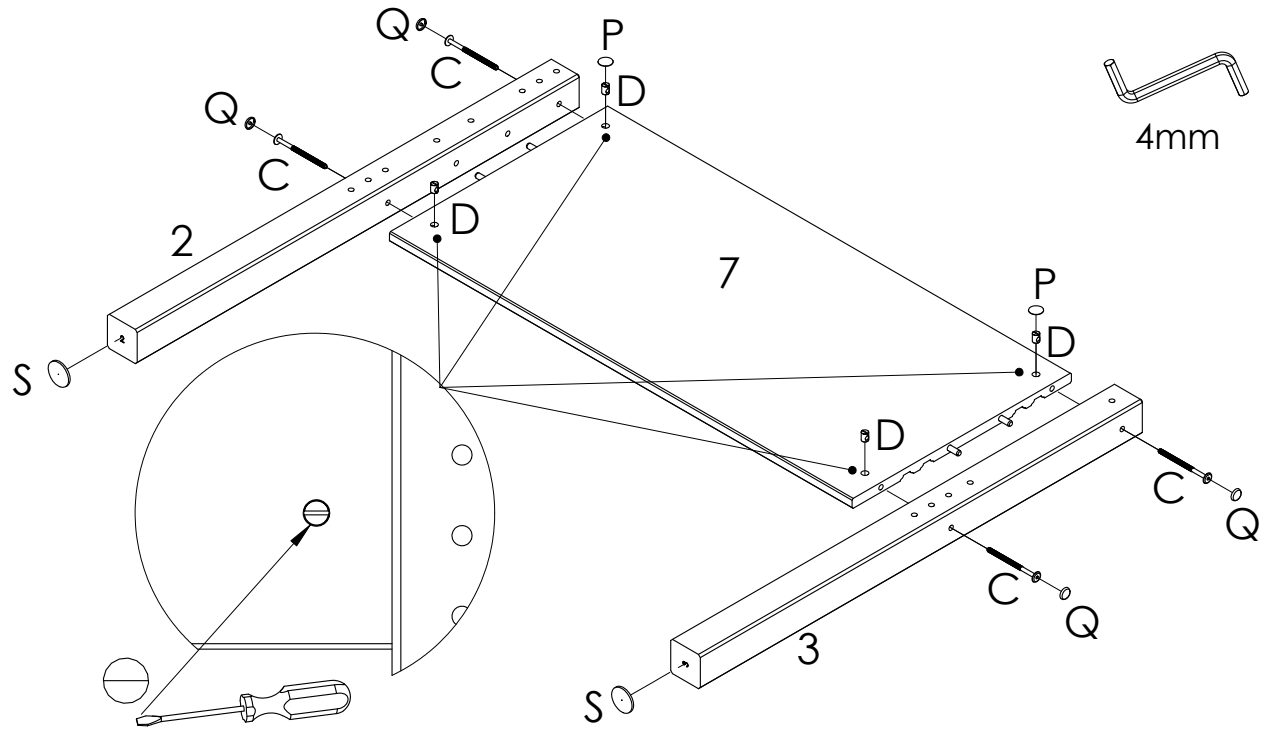
②








C		M6x90	x4
D		M6x10x13	x4

P		D20	x2
Q		D15x18	x4
S		38x3mm	x2

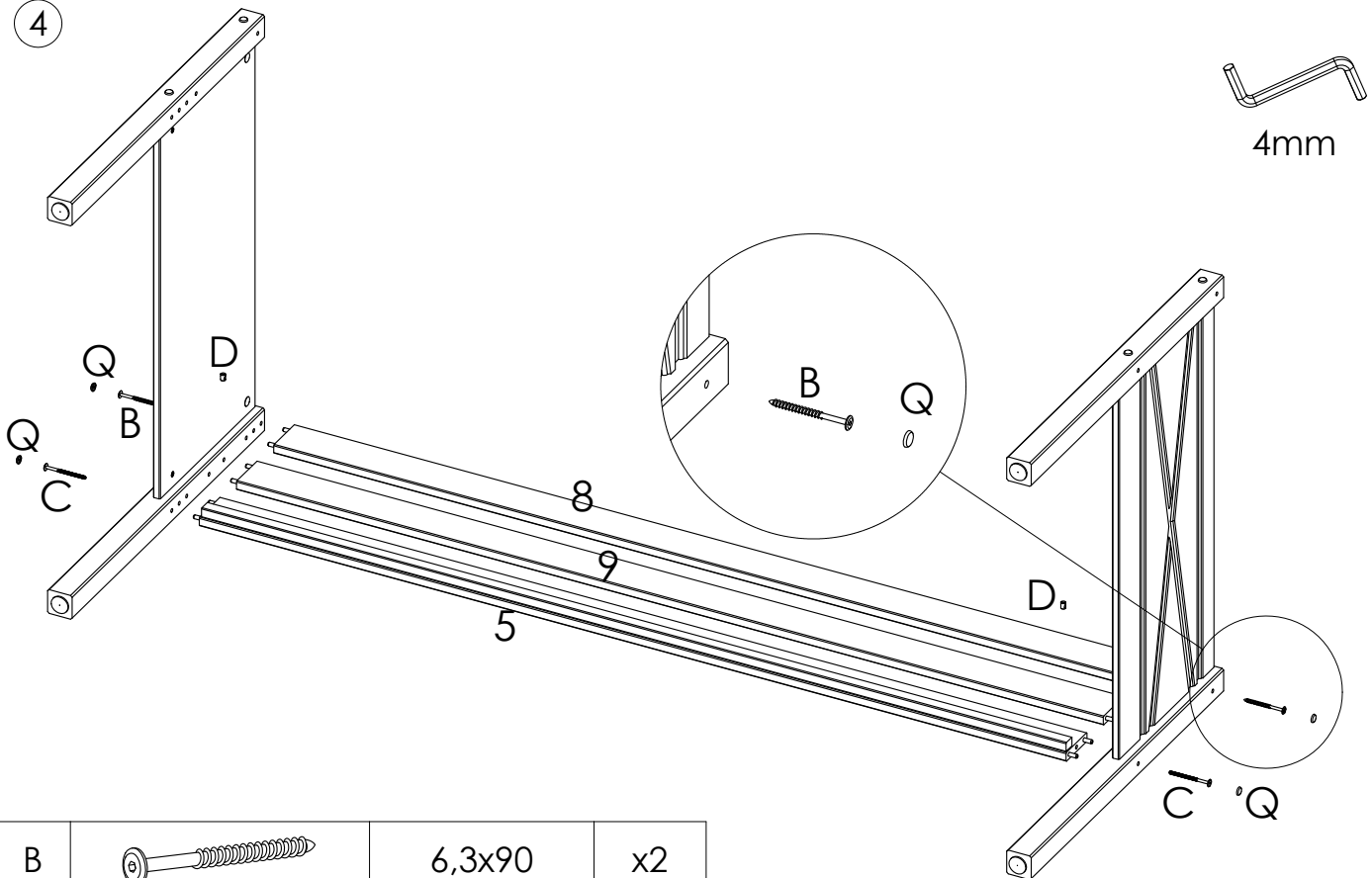
3

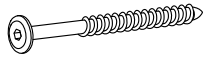




C		M6x90	x4
D		M6x10x13	x4

P		D20	x2
Q		D15x18	x2
S		38x3mm	x2

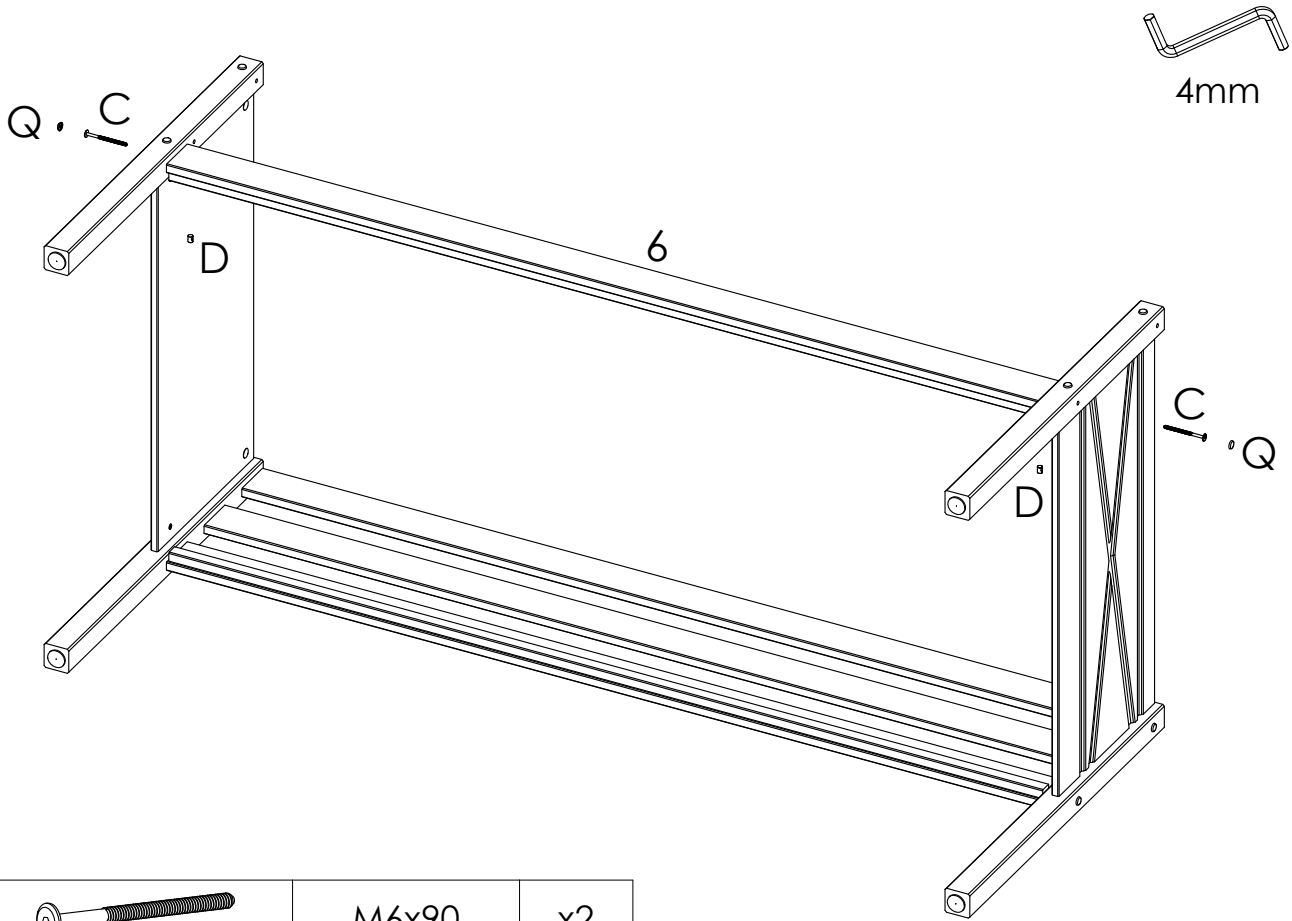
4






B		6,3x90	x2
C		M6x90	x2
D		M6x10x13	x2

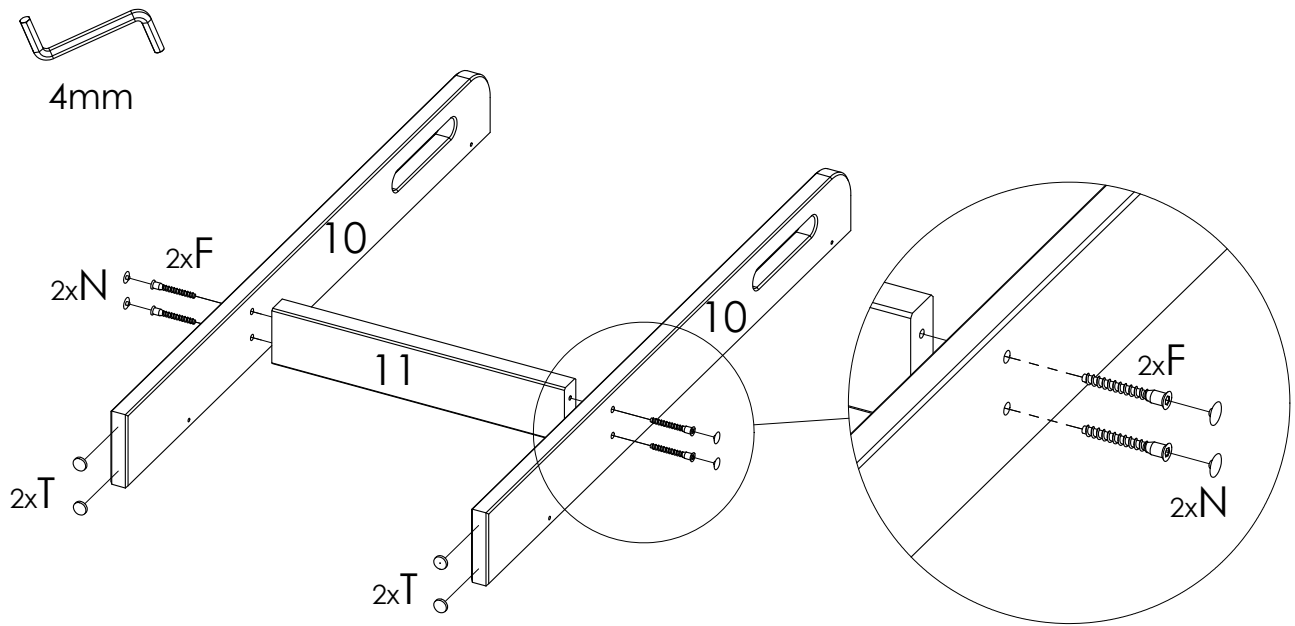
Q		D15x18	x4
---	---	--------	----




5



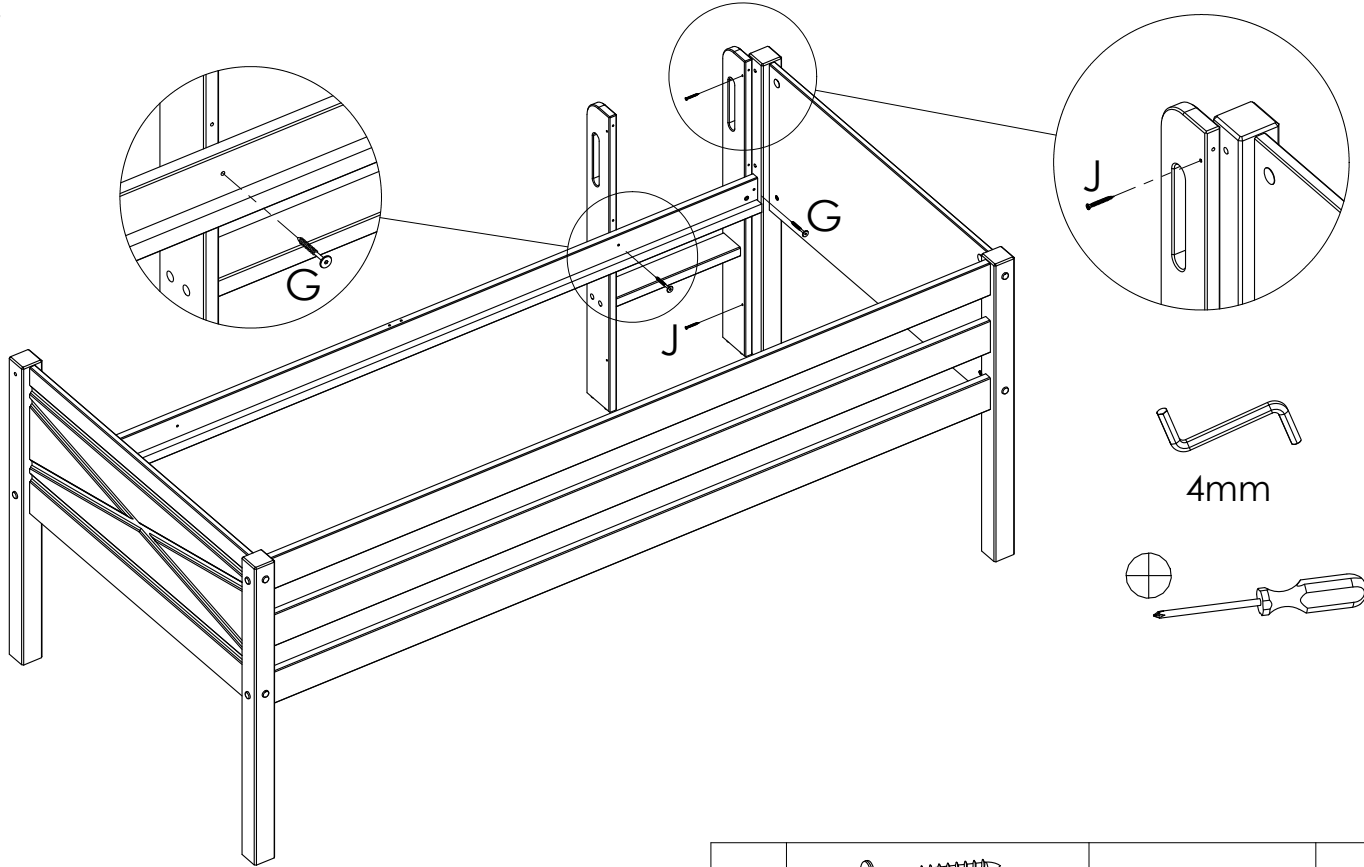
C		M6x90	x2				
D		M6x10x13	x2	Q		D15x18	x2

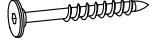

6



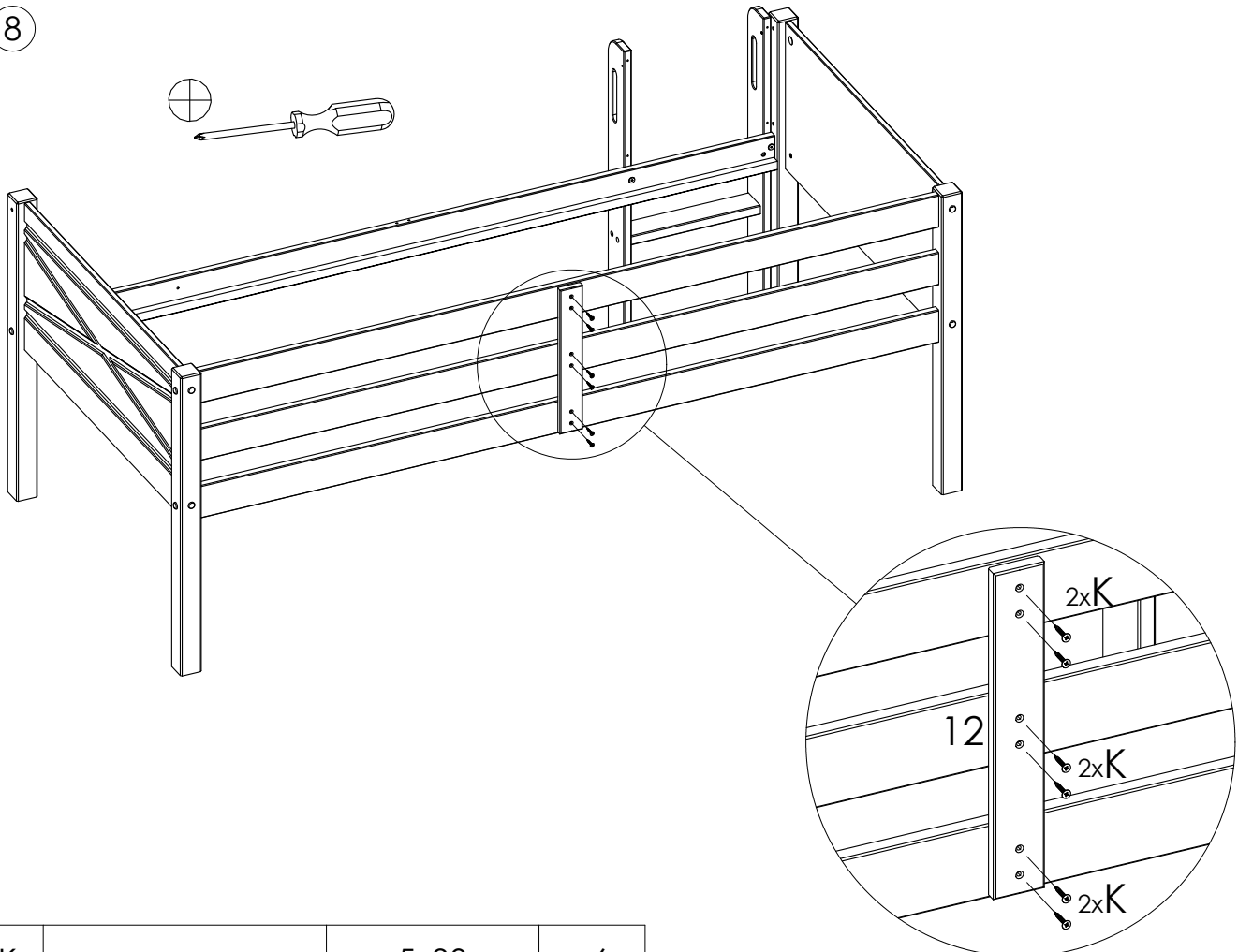
F		7x50	x4	N		D4x13	x4
				T		17x3mm	x4

7



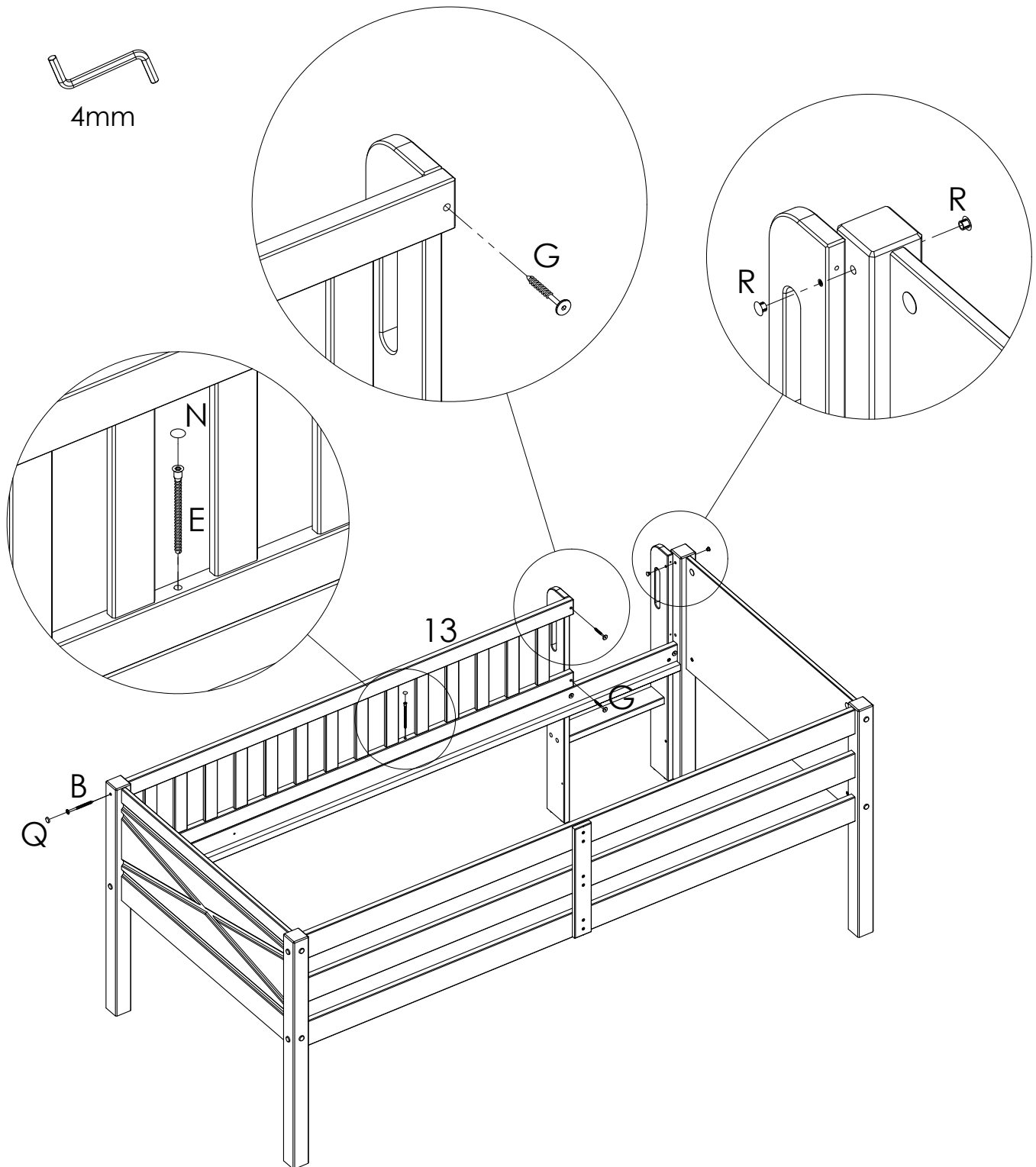
G		57/12,5x5,5	x2
J		4,2x35	x2




8


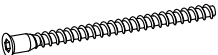
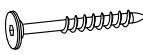


K		5x30	x6
---	---	------	----

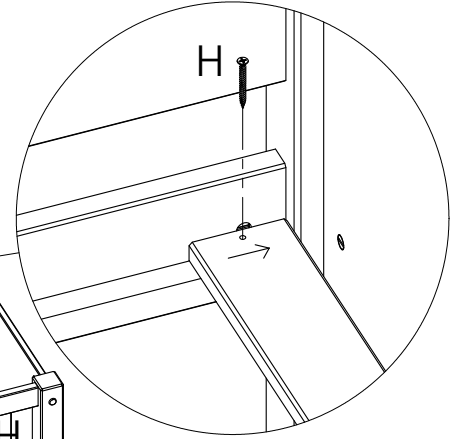
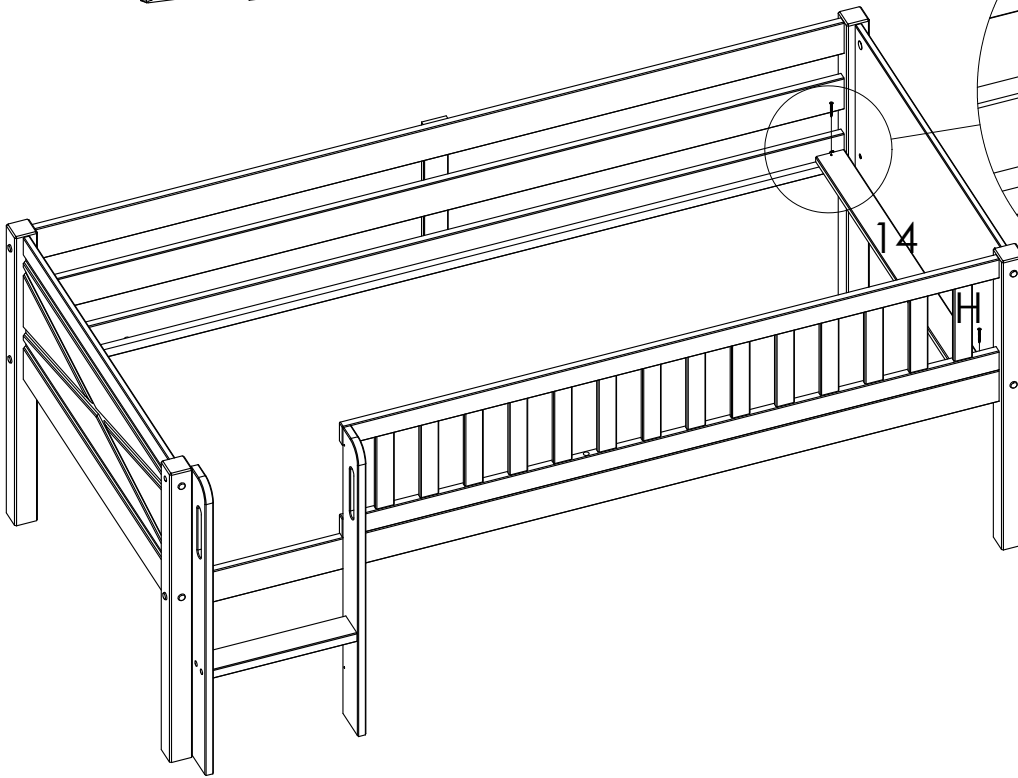
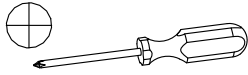
9



N		D4x13	x1
Q		D15x18	x1
R		D8x13	x2

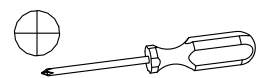
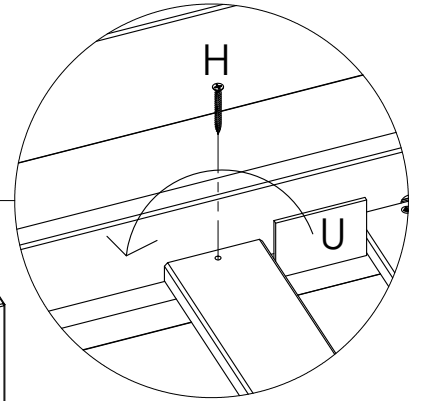
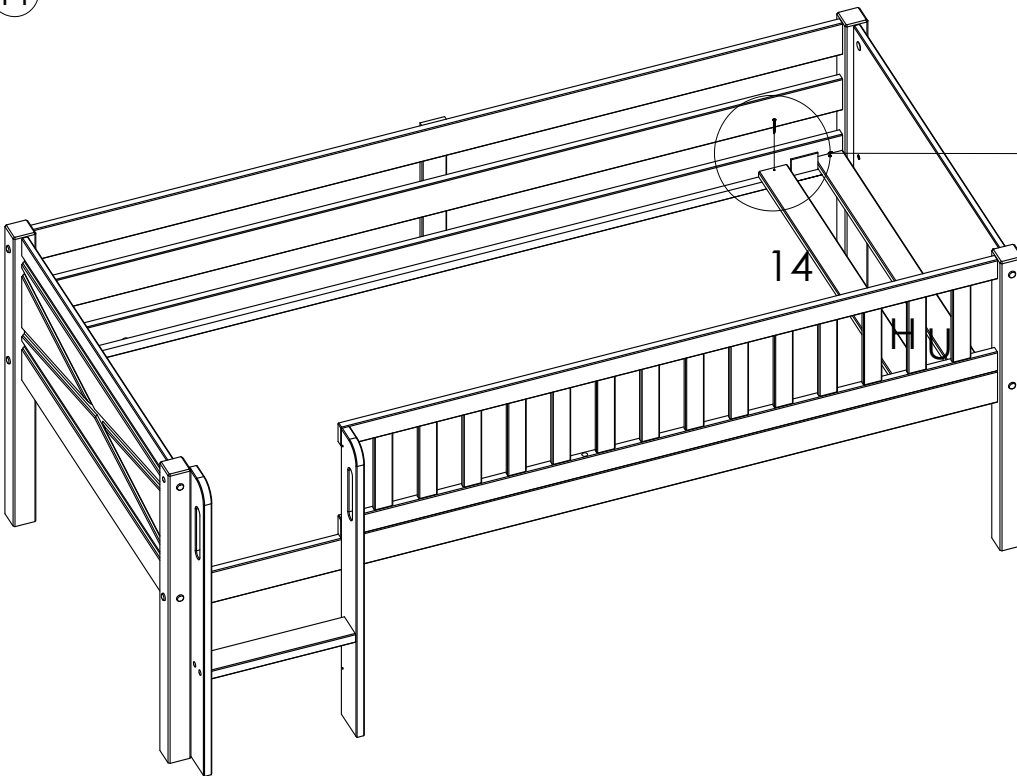
B		6,3x90	x1
E		7x90	x1
G		57/12,5x5,5	x2

10



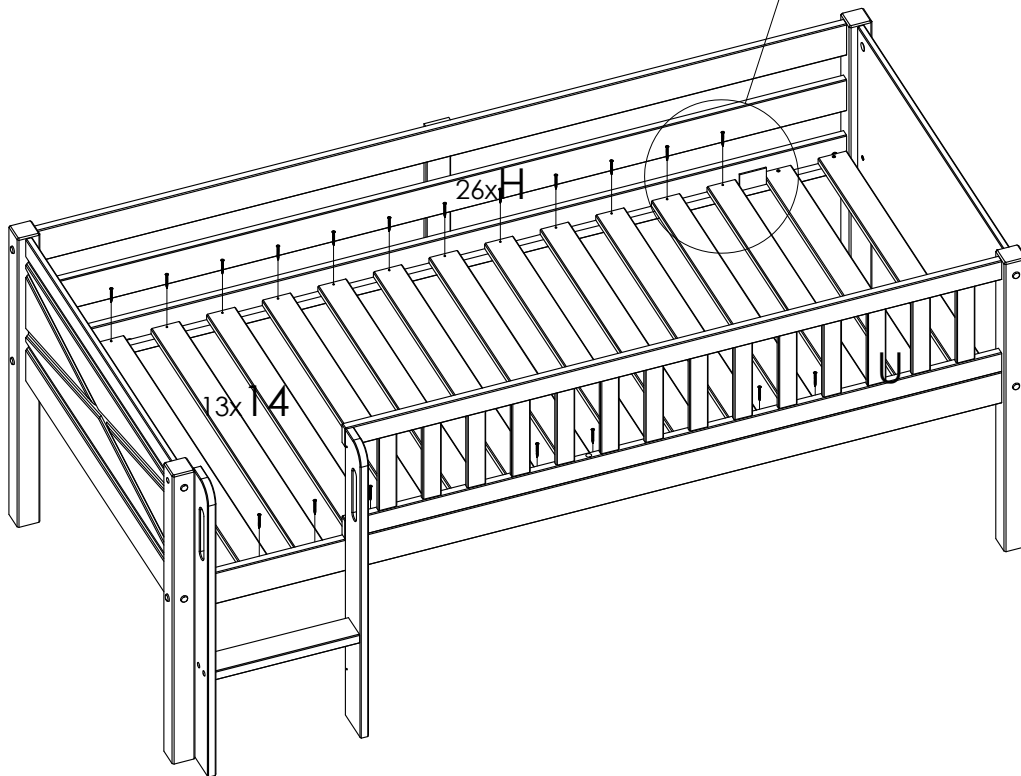
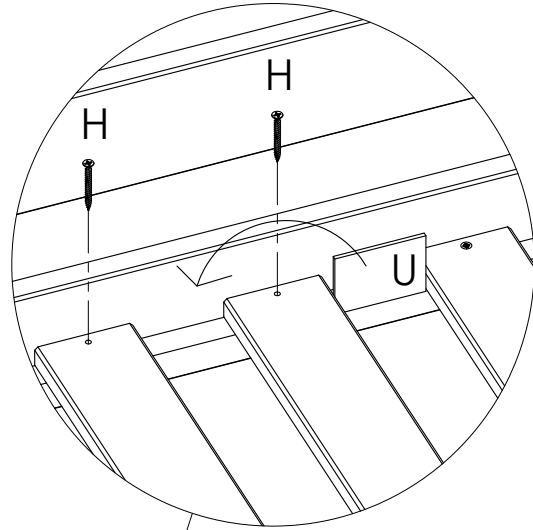
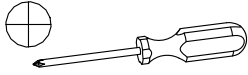
H		3,5x40	x2
---	--	--------	----

11



H		3,5x40	x2	U		65x47x3	x2
---	---	--------	----	---	--	---------	----

12



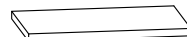
H



3,5x40

x26

U



65x47x3

x2