
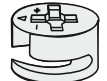
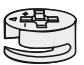
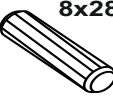

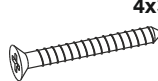
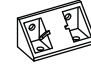



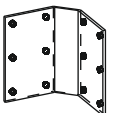
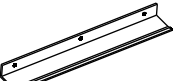


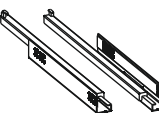
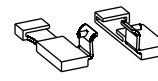



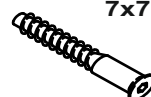

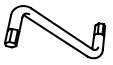
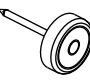

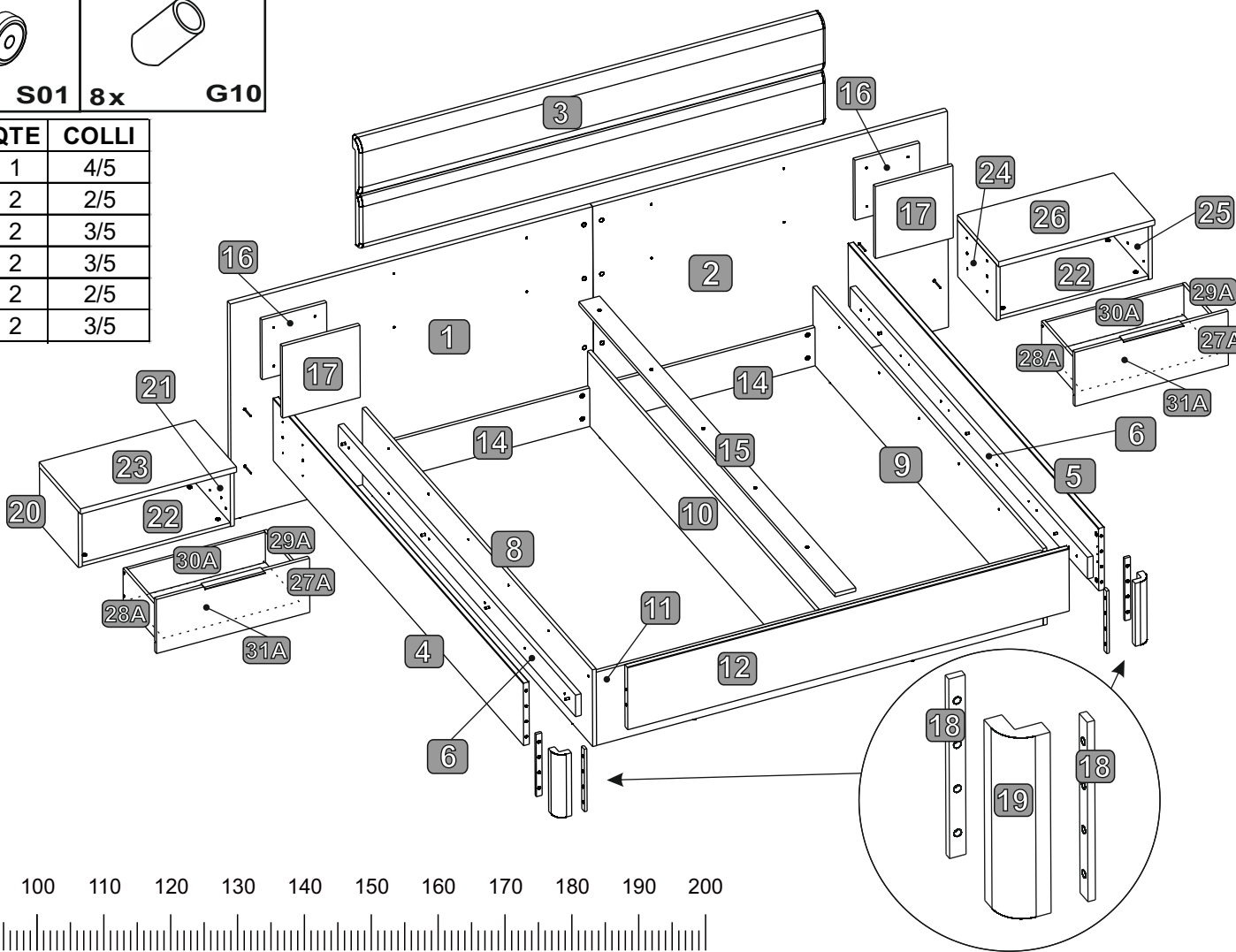
 46x T01	 4x T03	 15x12 46x T02	 12x9,5 8x T12	 8x28 78x D01	 4x35 16x W15	 4x35 32x W22	 1x L02	 3,5x15 4x W01	 2x LED
 6,3x40 8x D02	 2x K80	 2x U29	 3x13 6x W03	 3x20 12x W24	 2x L+P P05A	 2x L+P B12	 6x8 8x W10	 4x45 8x W23	 1x O51
 7x70 8x W70	 7x50 15x W04	 1x K01	 12x S01	 8x G10					

NR	DIM	QTE	COLLI	NR	DIM	QTE	COLLI
1	1400x900x22	1	1/5	26	603x330x22	1	4/5
2	1370x900x22	1	1/5	27A	596x225x15	2	2/5
3	1800x450x60	1	5/5	28A	300x140x12	2	3/5
4	2004x260x22	1	2/5	29A	300x140x12	2	3/5
5	2004x260x22	1	2/5	30A	532x140x12	2	2/5
6	1900x90x22	2	2/5	31A	543x300x2	2	3/5

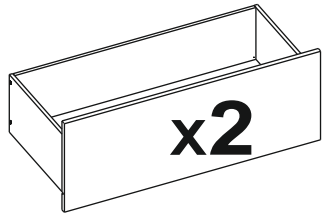
8	1842x320x15	1	3/5
9	1842x320x15	1	3/5
10	1826x305x15	1	3/5
11	1725x305x15	1	4/5
12	1705x260x22	1	4/5
14	855x160x15	2	4/5
15	2051x80x15	1	2/5
16	250x250x15	2	3/5
17	300x300x15	2	3/5
18	260x22x10	4	2/5
19	262x60x24/24	2	2/5
20	235x310x15	1	2/5
21	235x310x15	1	2/5
22	572x309x15	2	4/5
23	603x330x22	1	4/5
24	235x310x15	1	2/5
25	235x310x15	1	2/5



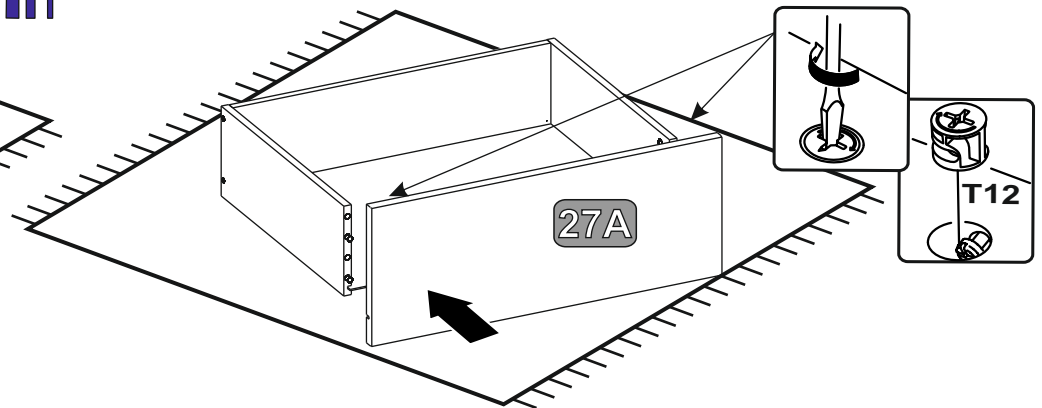
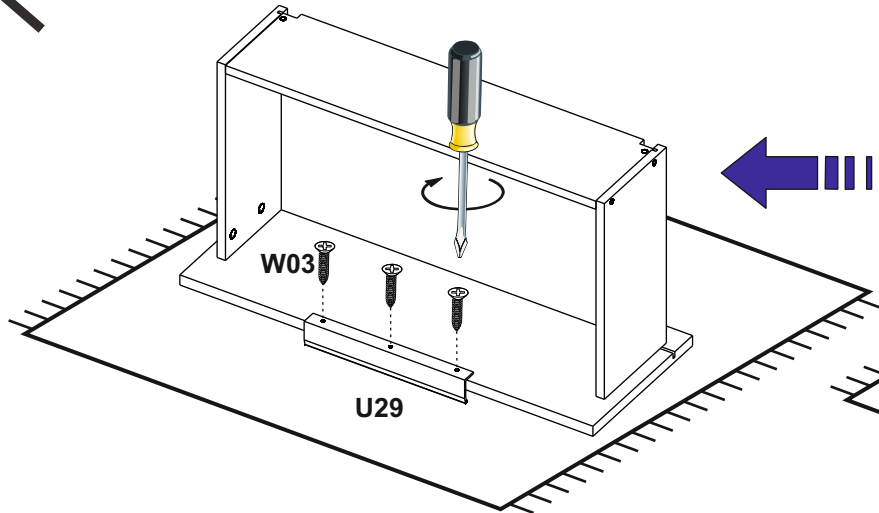
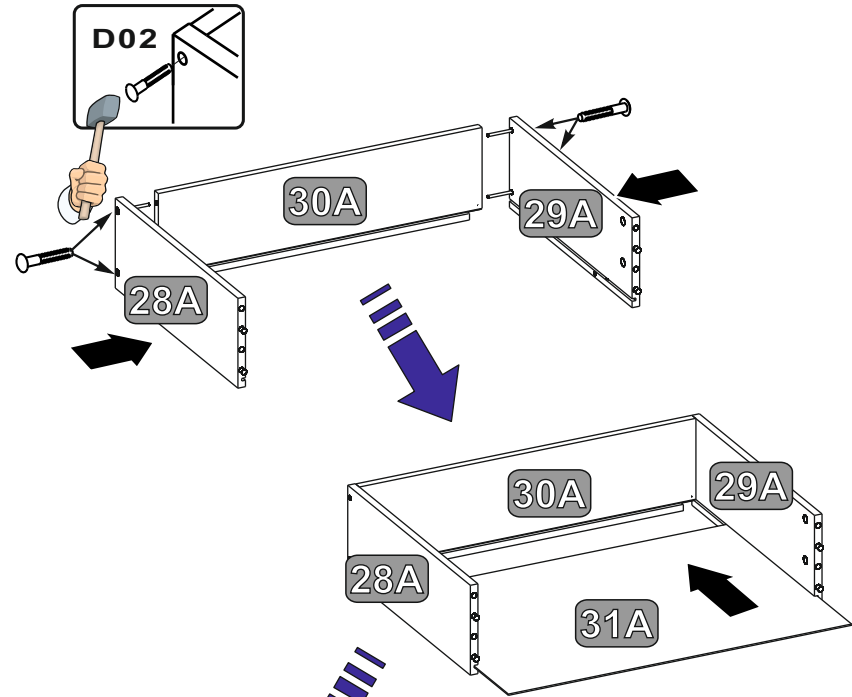
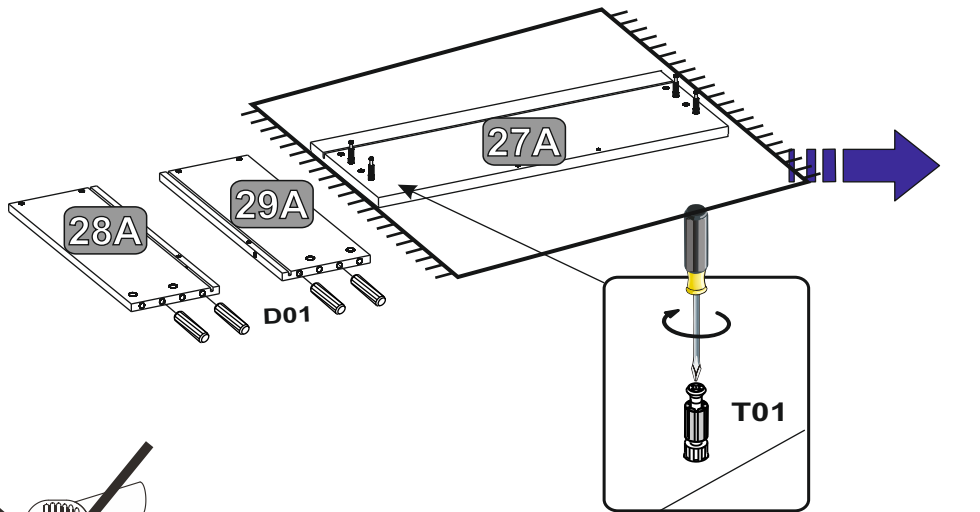
0 10 20 30 40 50 60 70 80 90 100 110 120 130 140 150 160 170 180 190 200



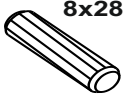
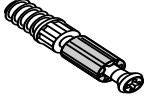
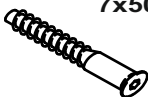


1

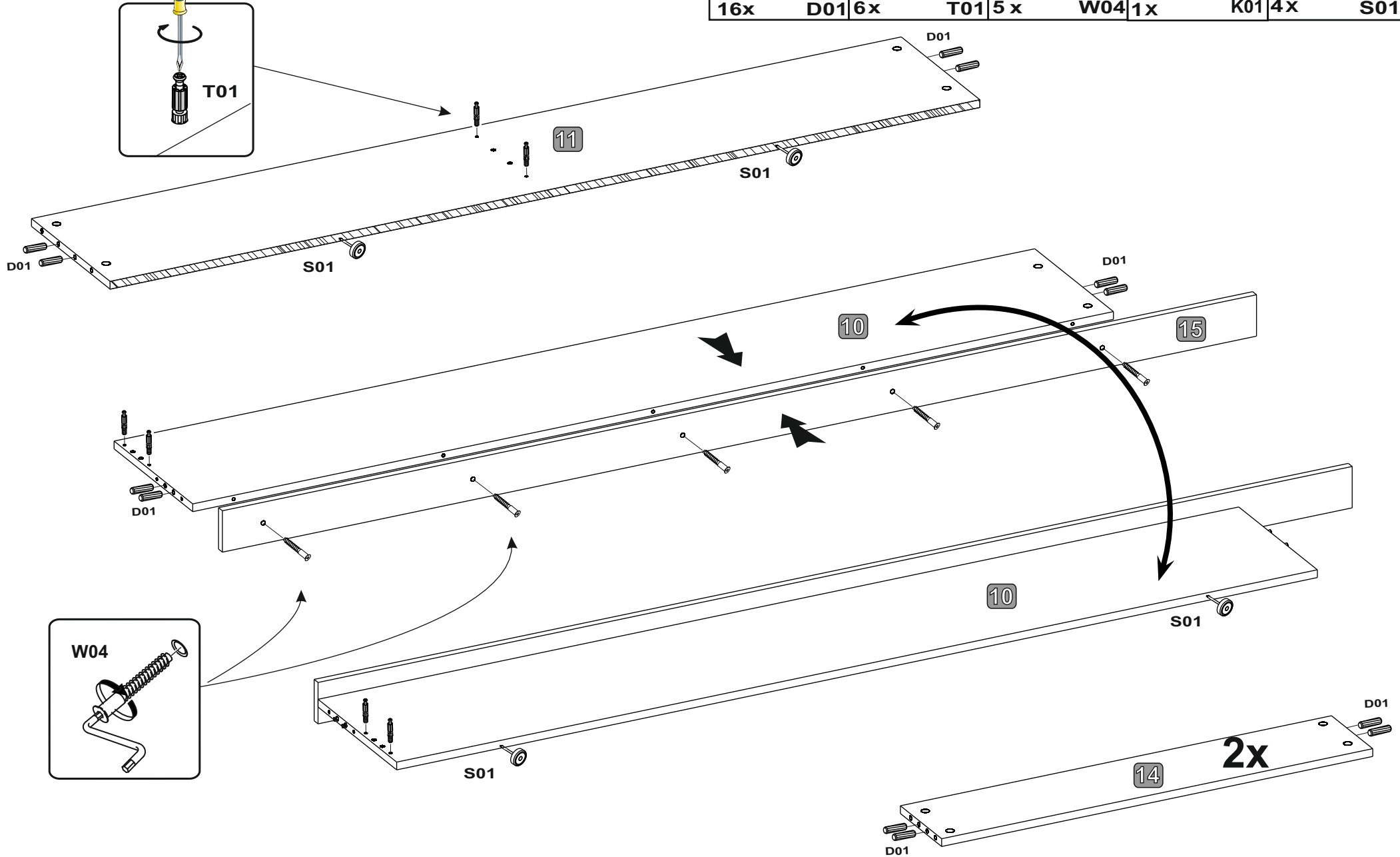


 2x U29	 6x W03	 8x T01	 8x T12	 8x D01	 8x D02
------------	------------	------------	------------	------------	------------

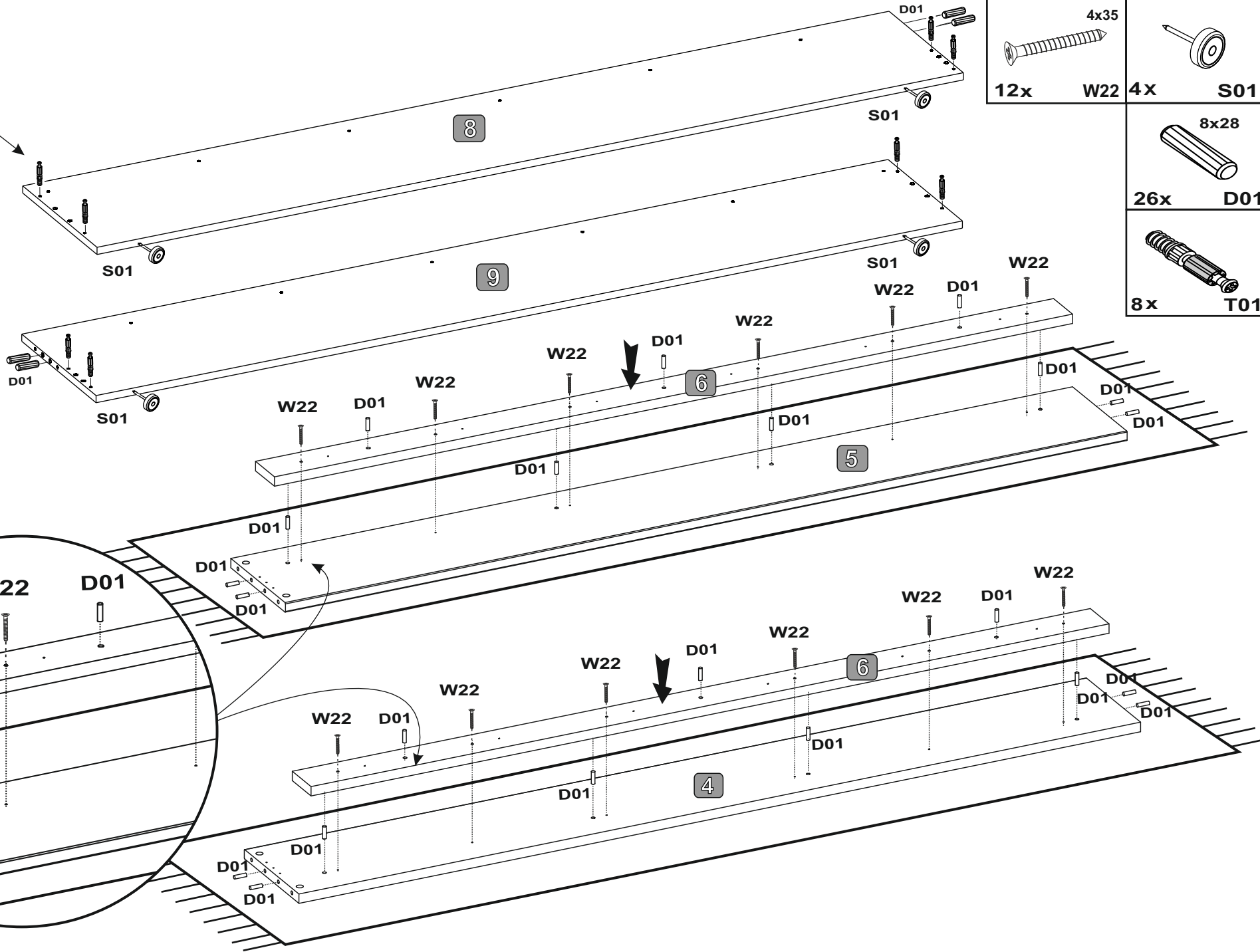
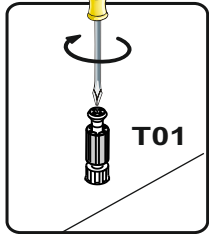


2

 8x28 16x D01	 T01 6x T01	 7x50 5x W04	 K01 1x K01	 S01 4x S01
--	--	---	--	--



3



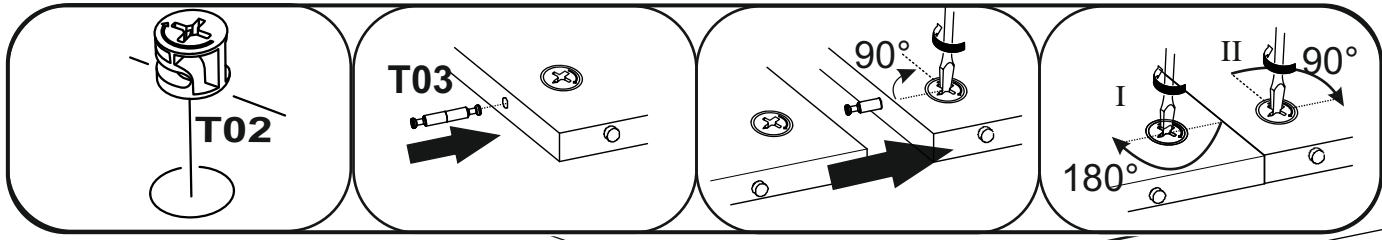
4x35
12x W22

4x S01

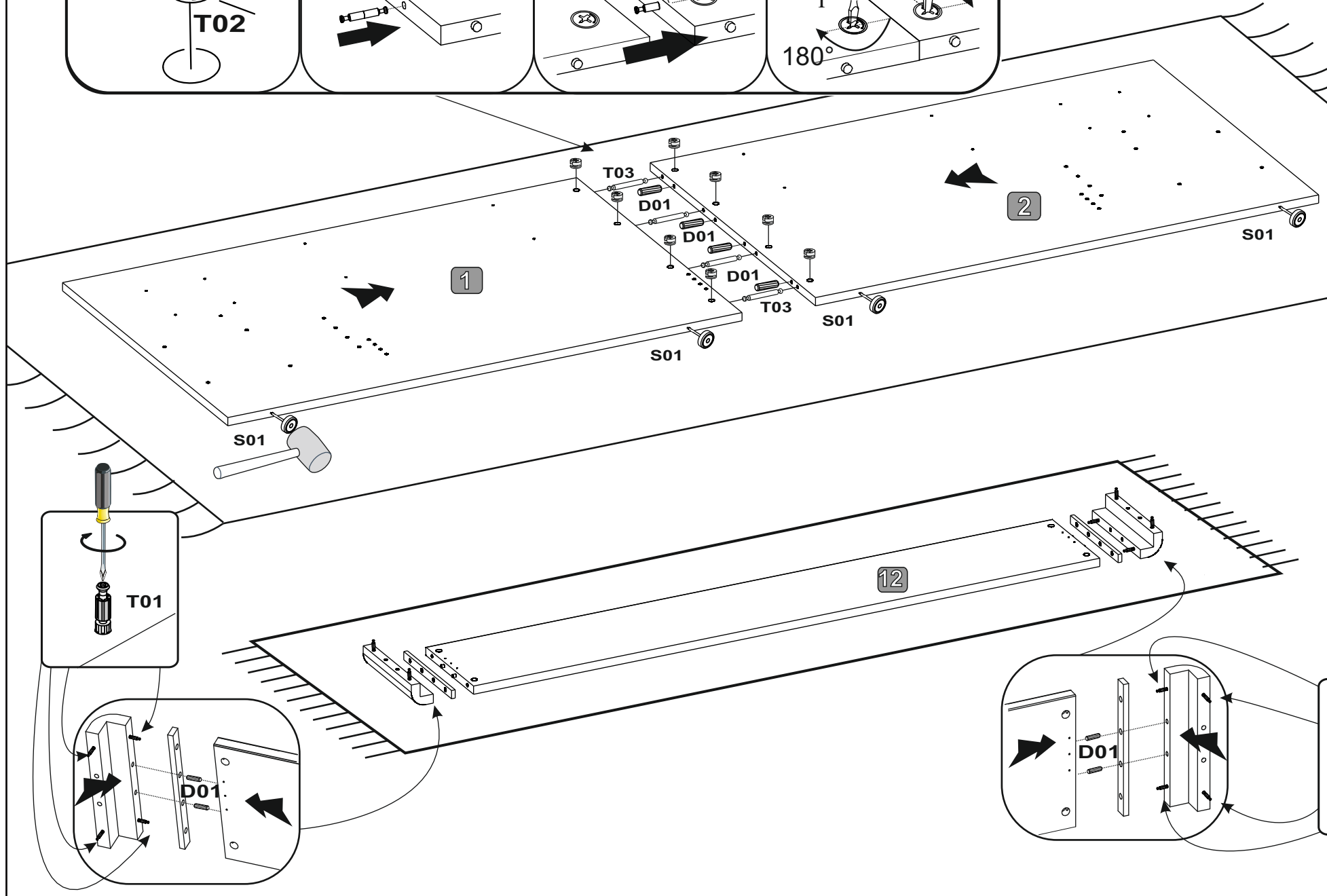
8x28
26x D01

8x T01

4



- 4x S01
- 15x12
- 12x T02
- 8x T01
- 4x T03
- 8x 8x28
- 8x D01



1

2

12

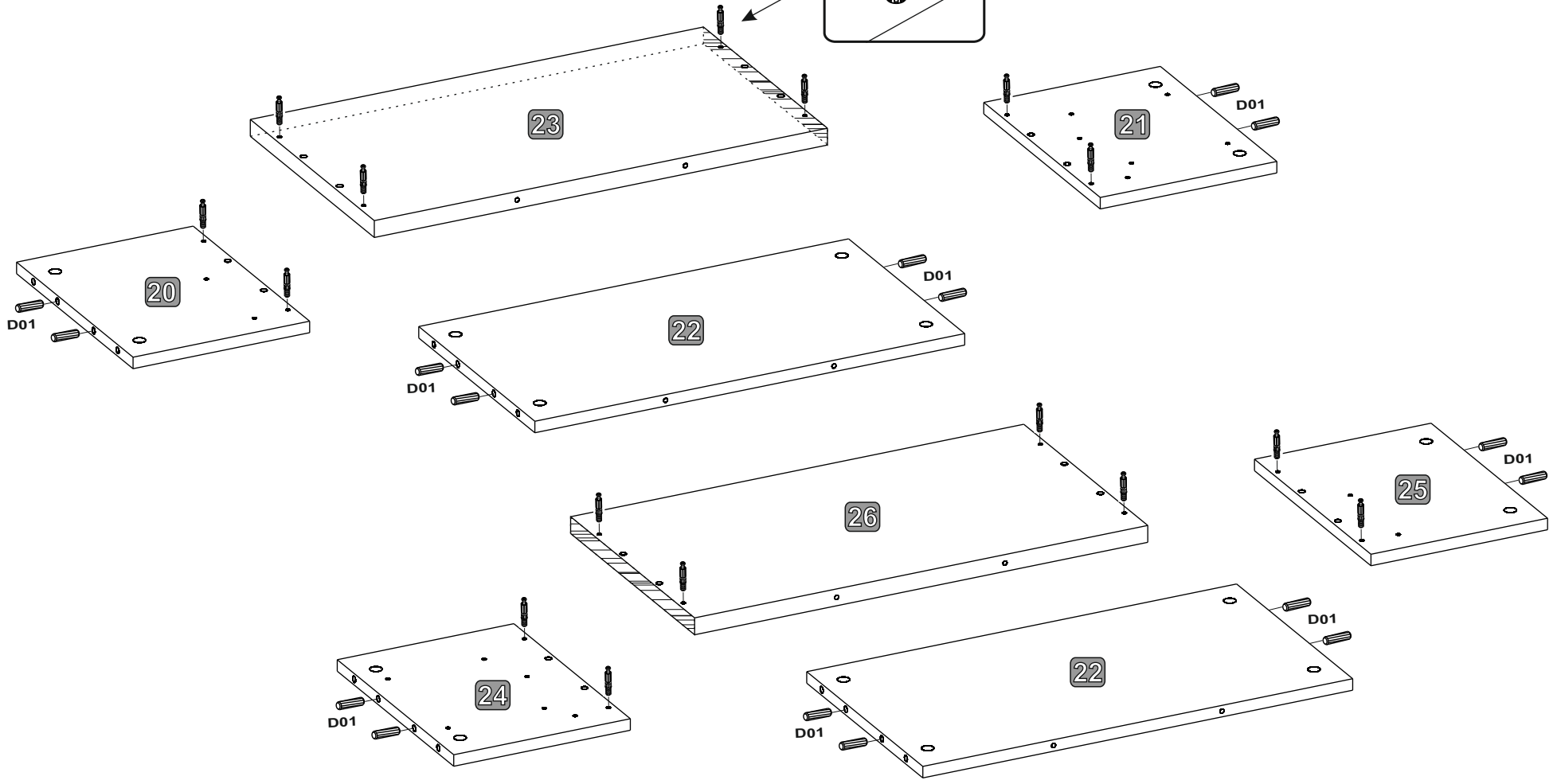
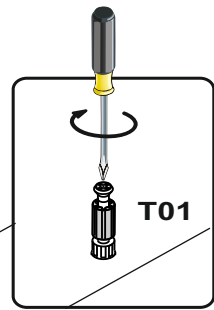
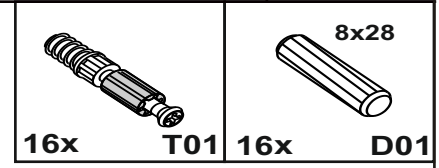
T01

T01

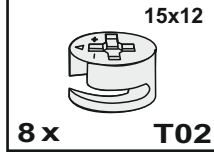
D01

D01

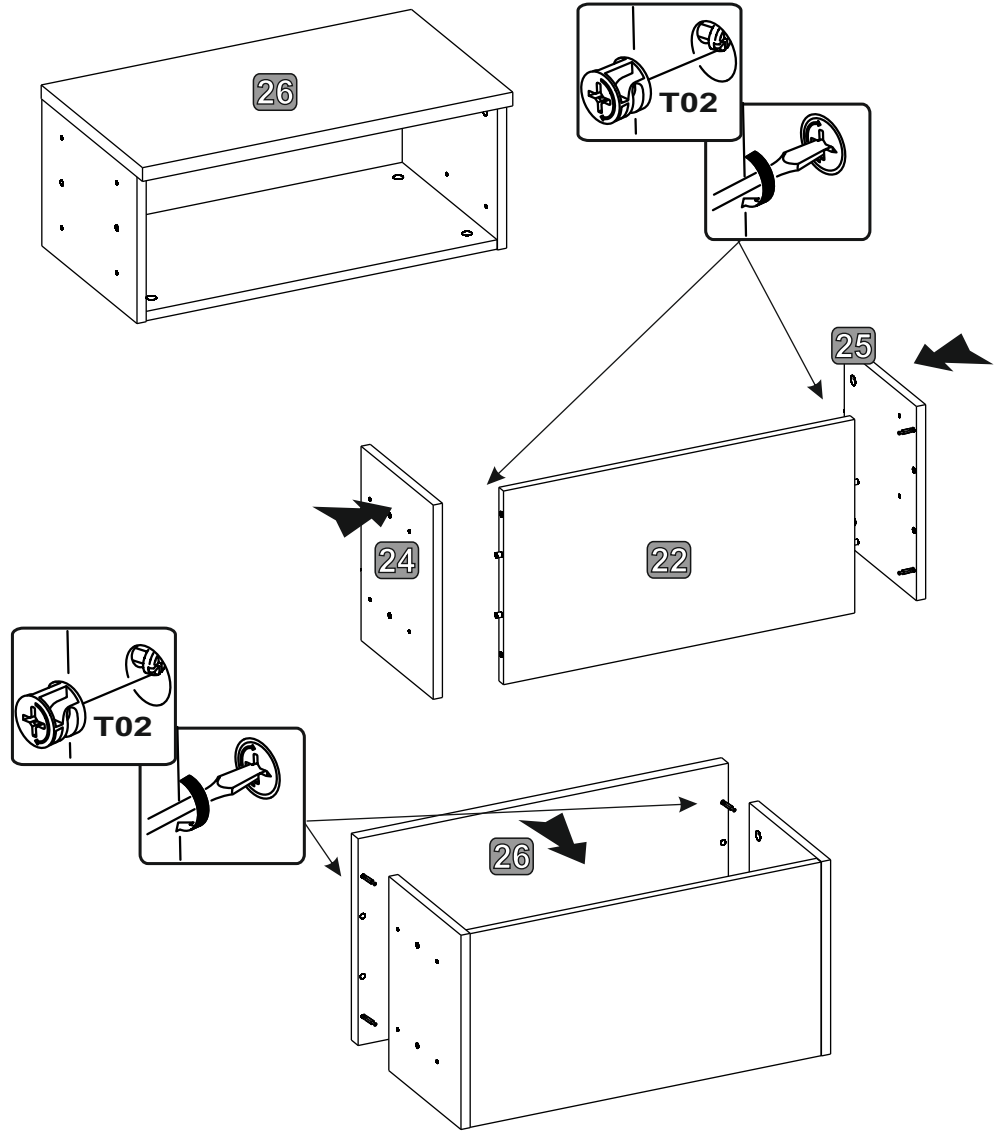
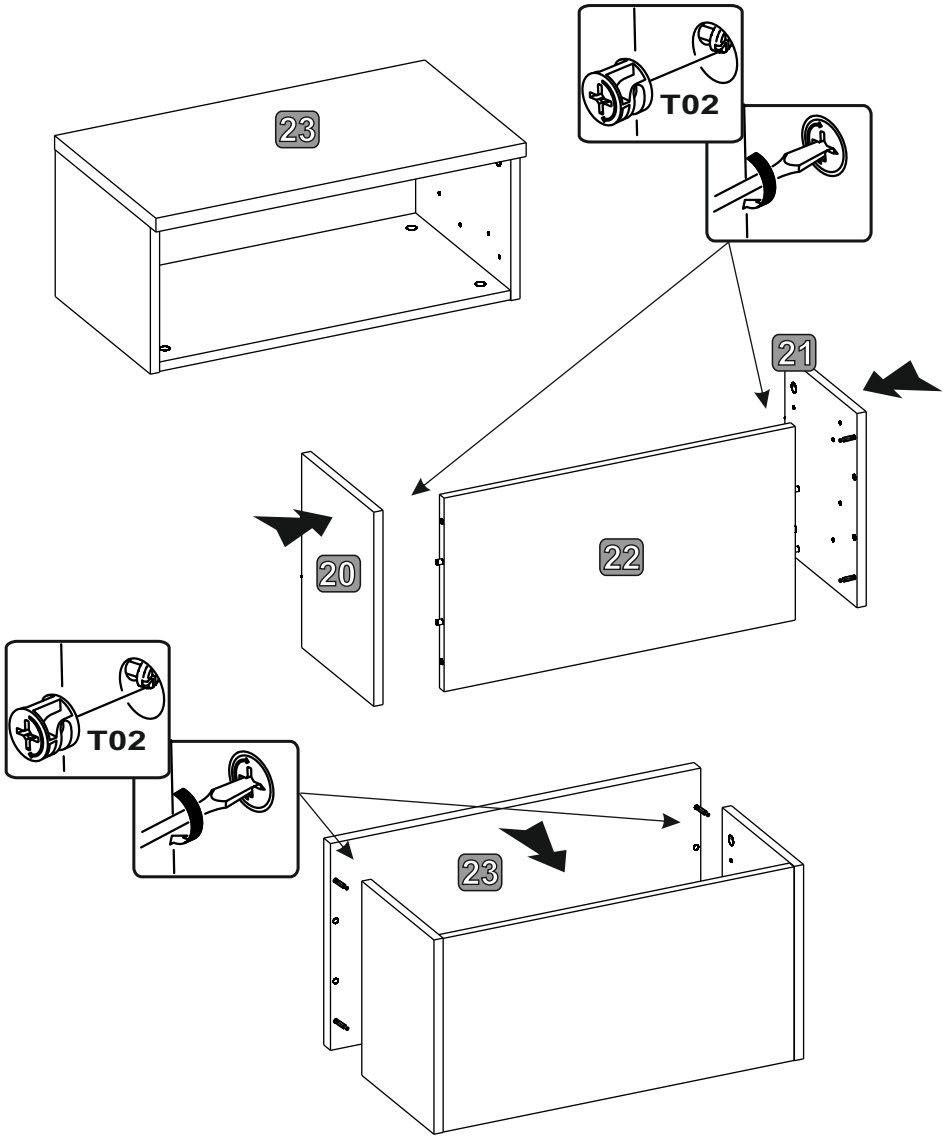
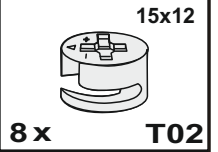
5



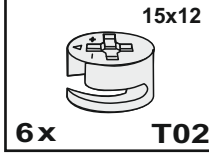
6



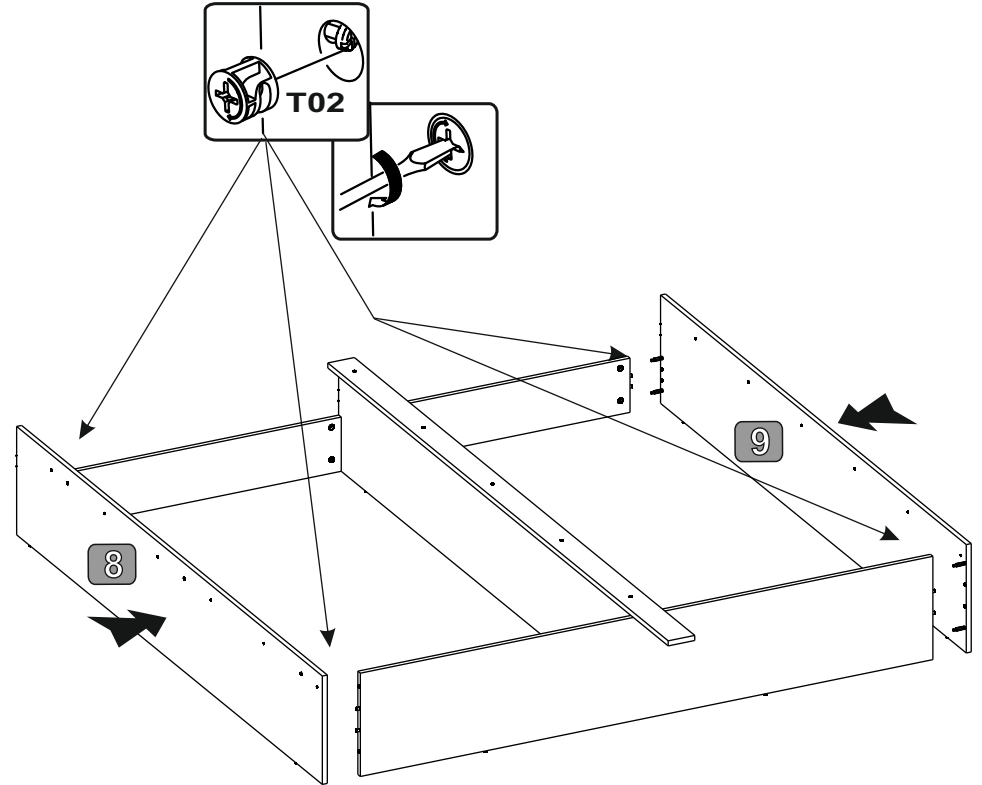
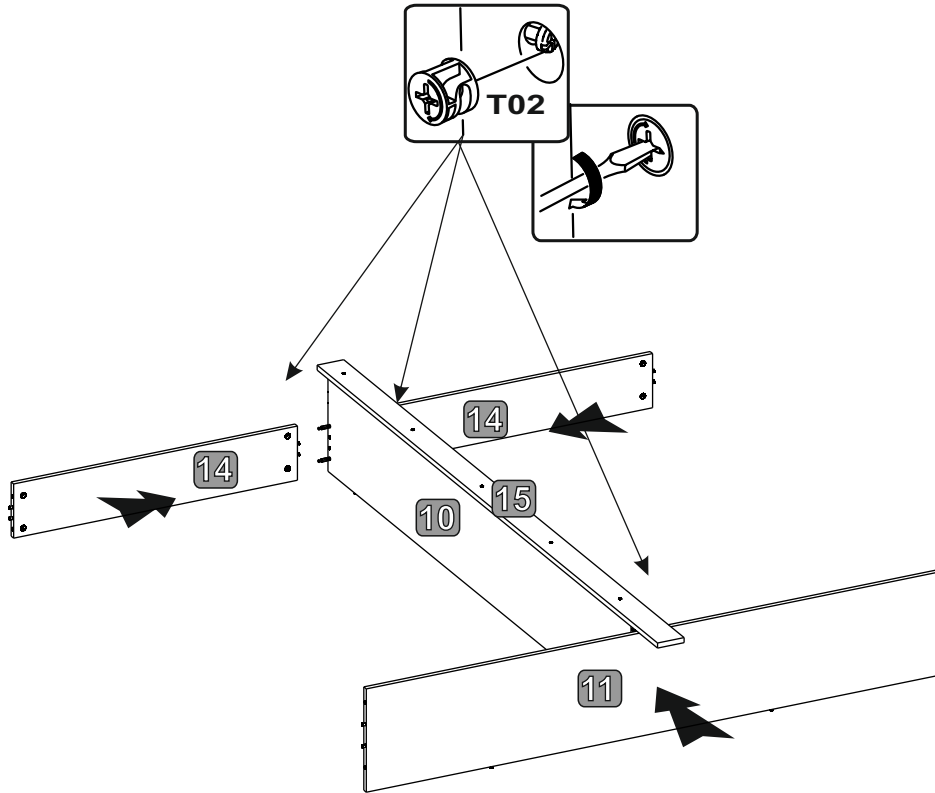
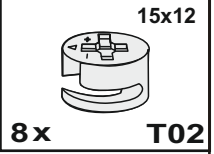
7



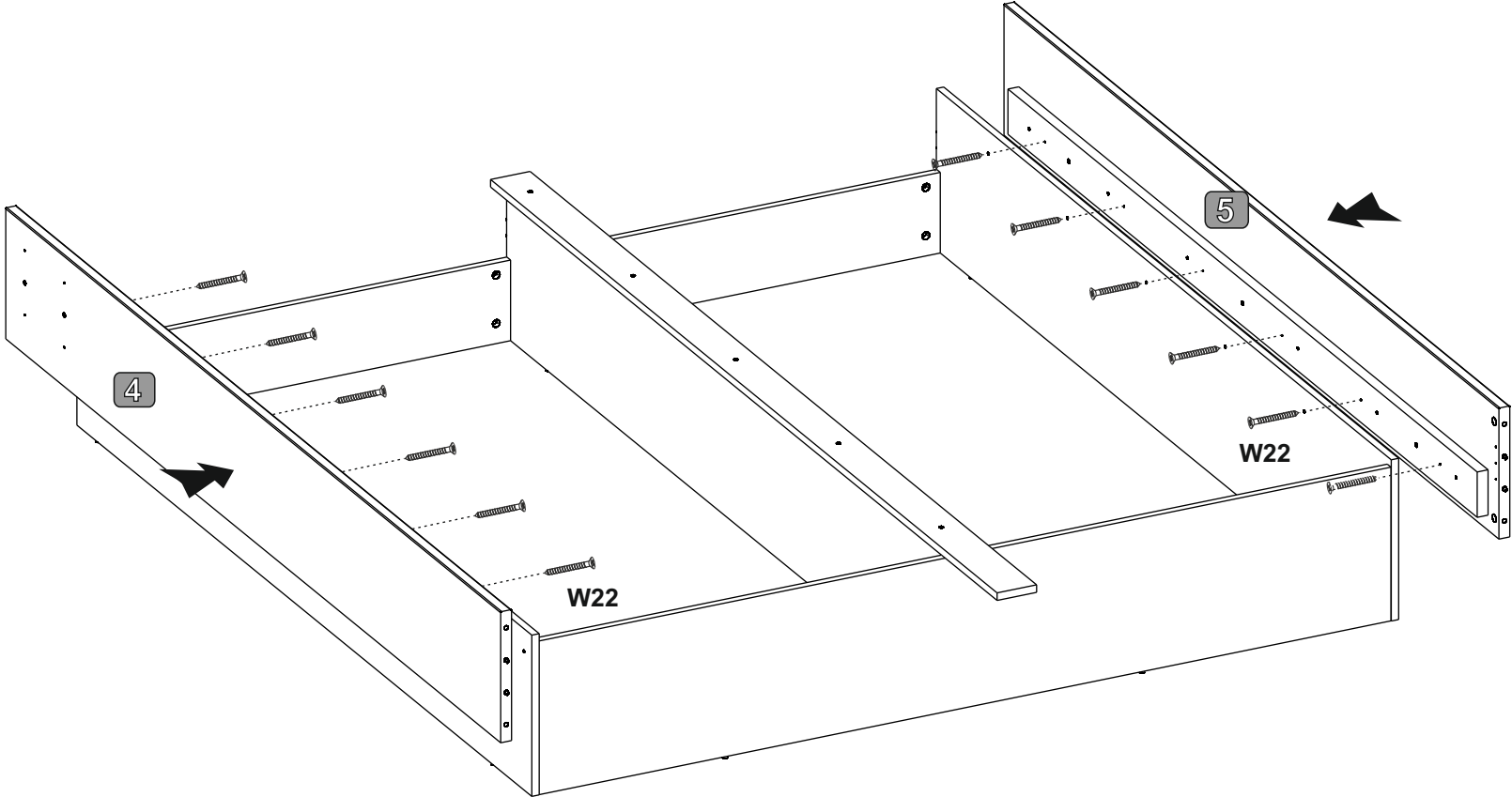
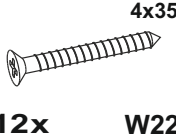
8



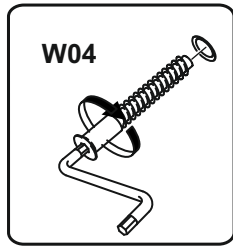
9



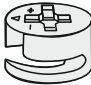


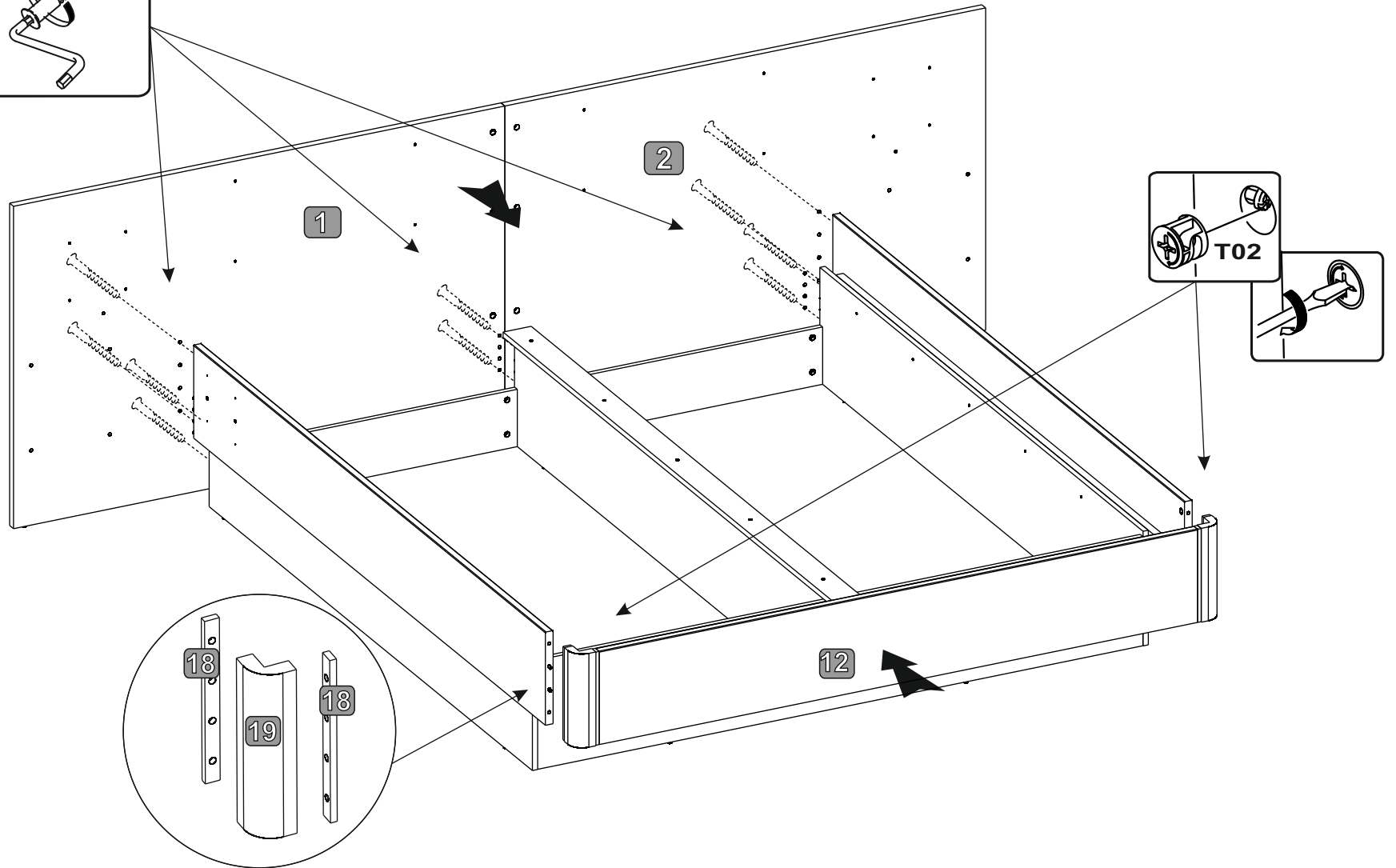
10



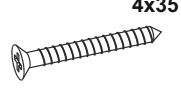
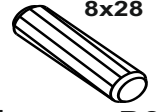


11

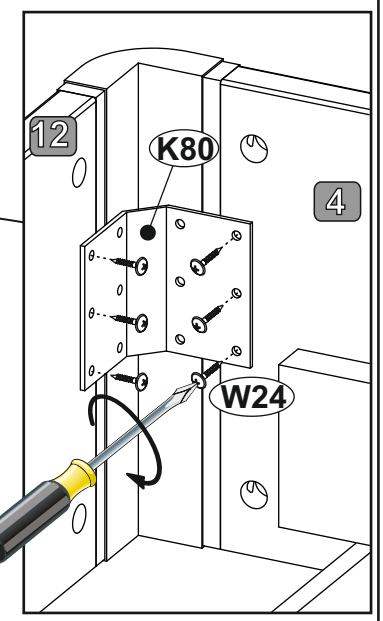
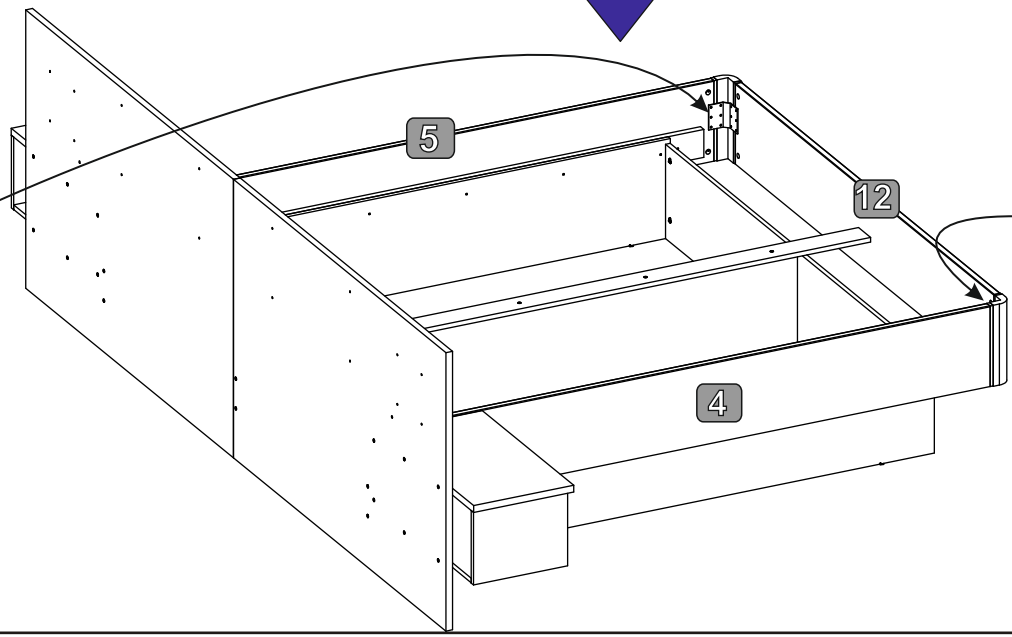
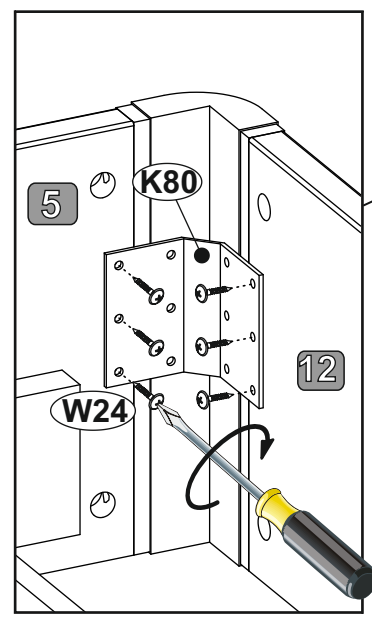
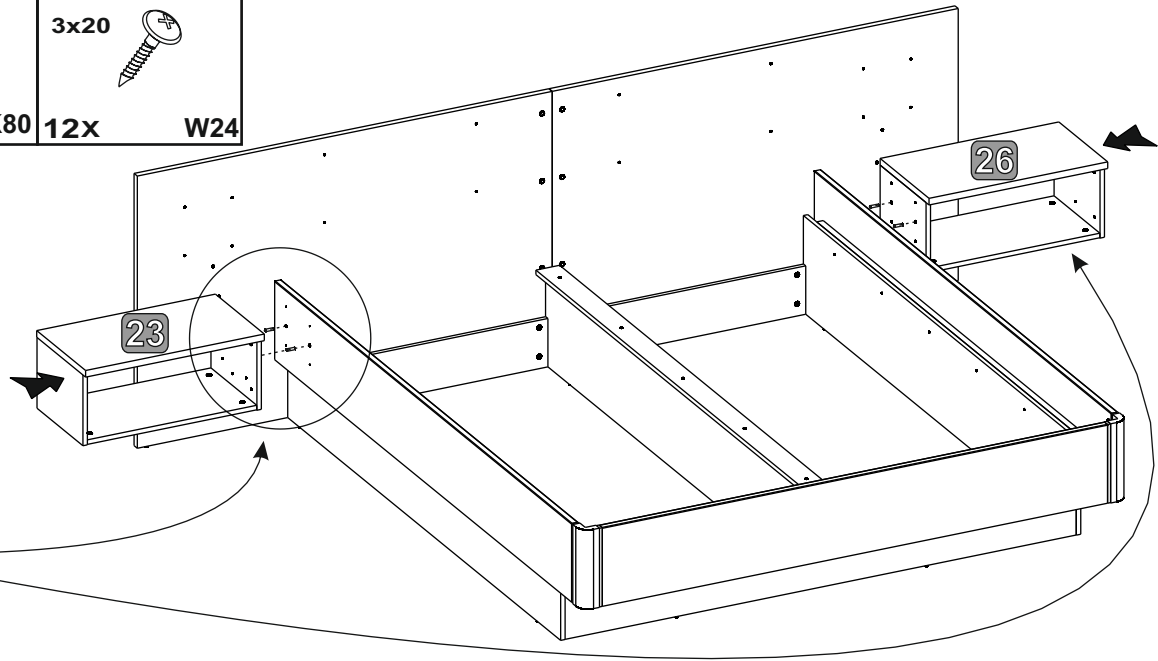
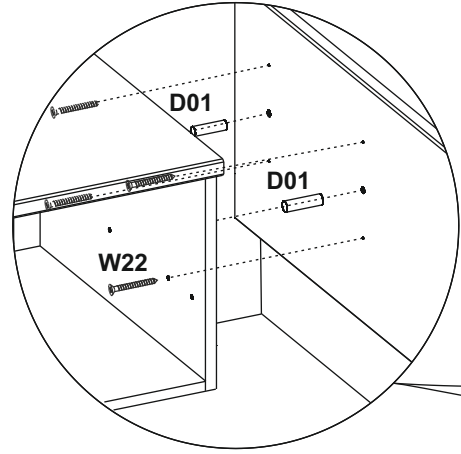


 1x	 10x	 4x
K01	W04	T02

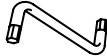
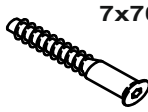
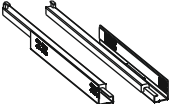



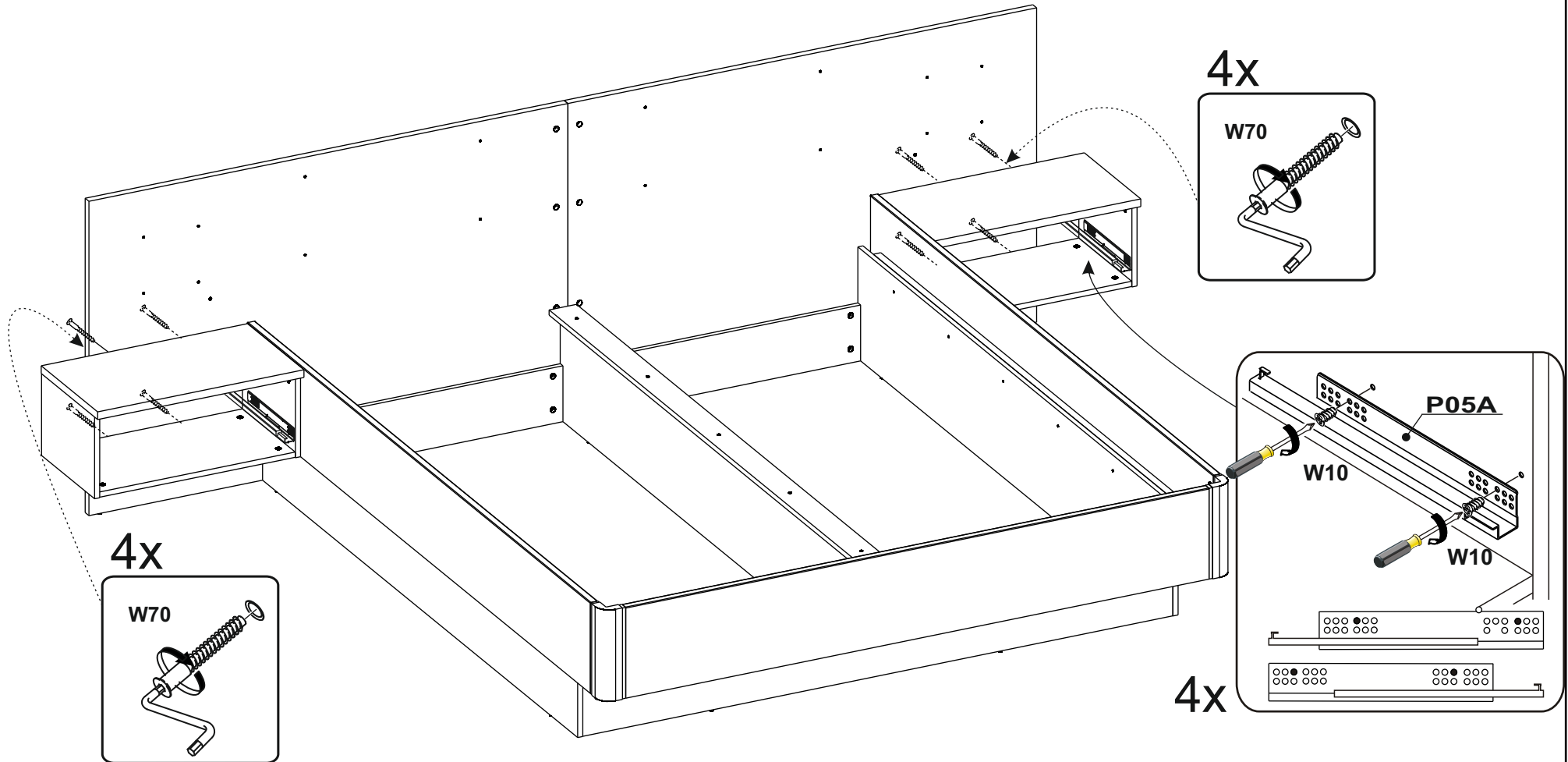
12

 4x35	 8x28	 K80	 3x20
8x	W22	4x	D01
12x		2x	
			12x
			W24






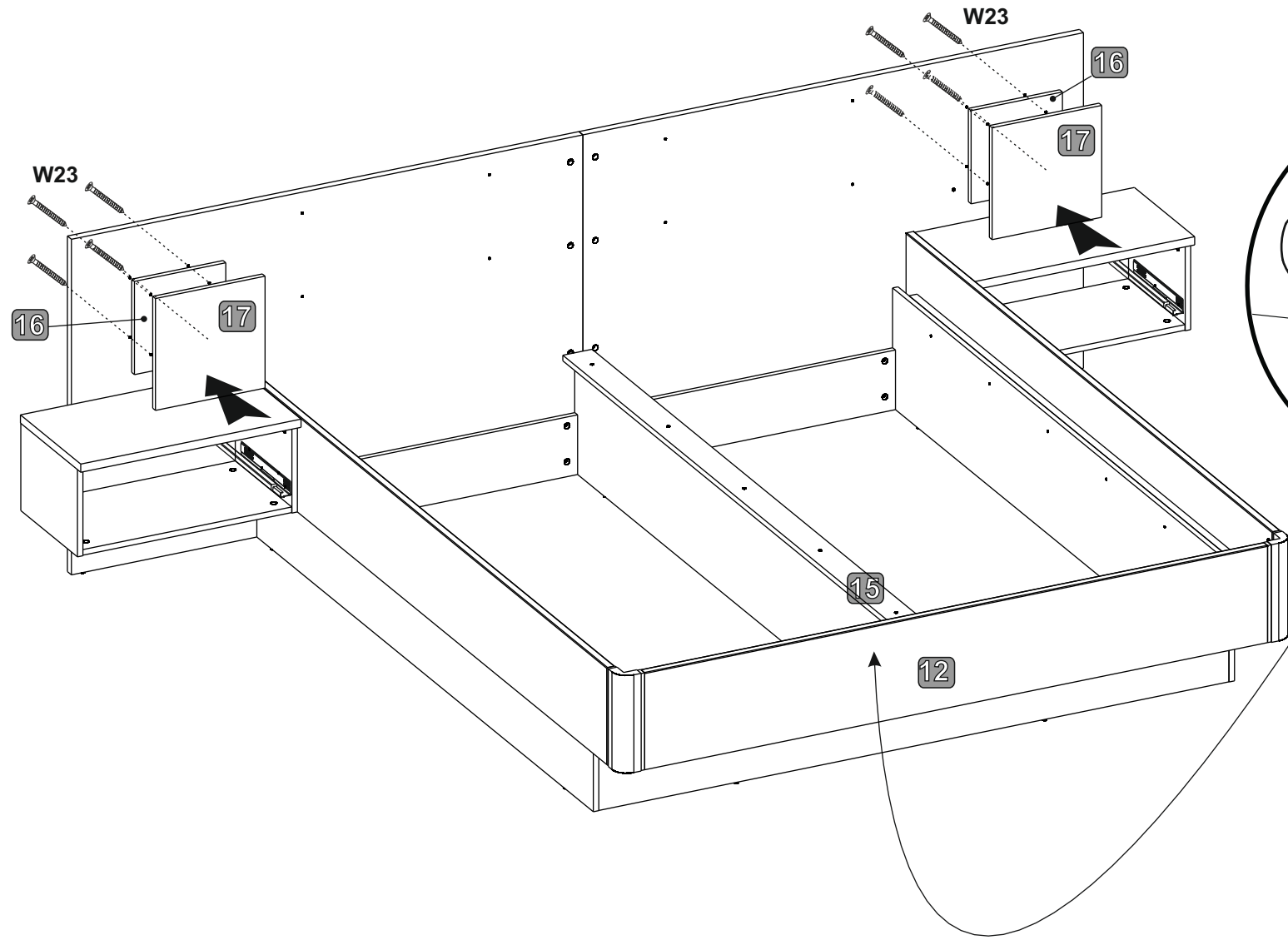
13

 1x K01	 8x W70	 2x L+P P05A	 8x W10
---	---	--	---

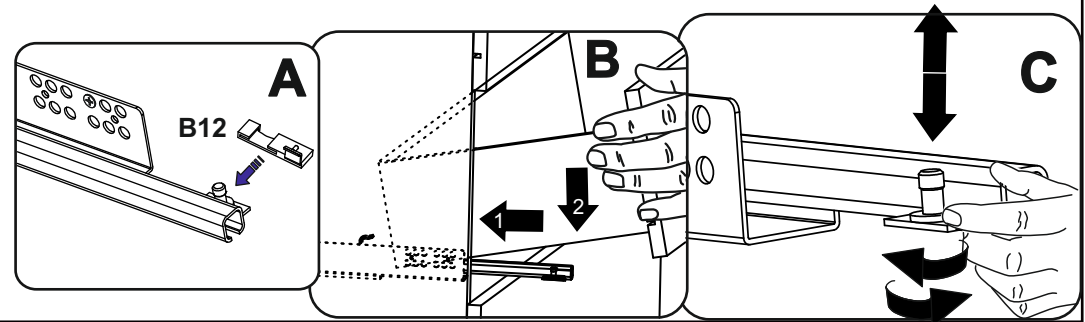
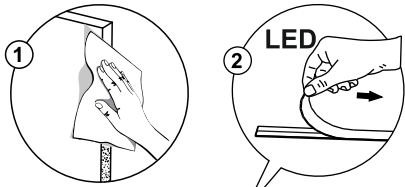
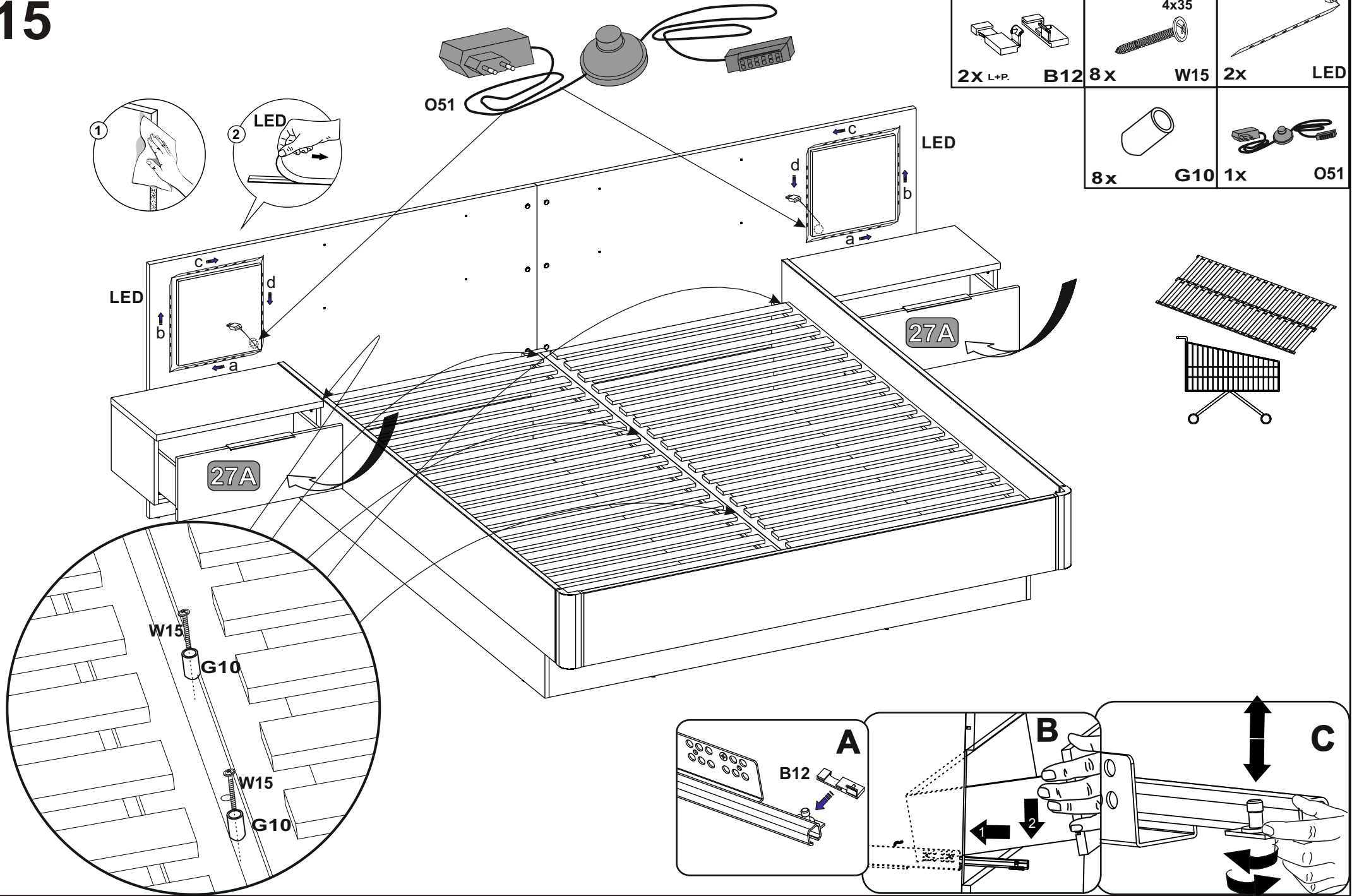


14

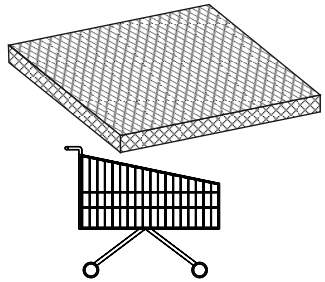
		
1x L02	4x W01	8x W23



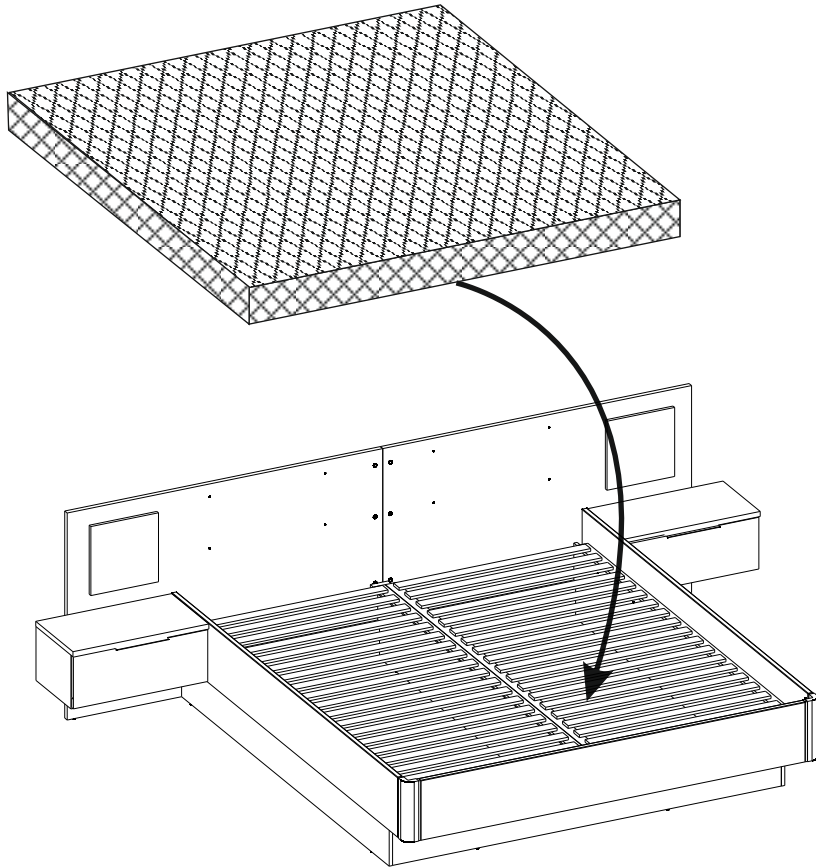
15



16



A



B

