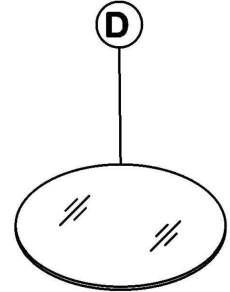
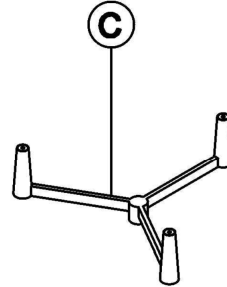
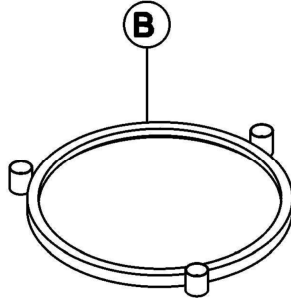
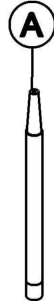


MARILYN END TABLE ASSEMBLY INSTRUCTIONS



PARTS PACKING CONFIGURATIONS

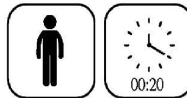
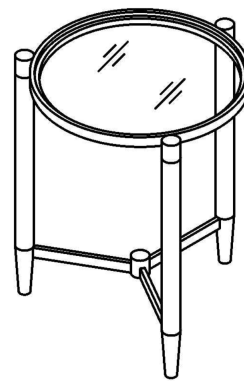
- A: LEG 3PCS
- B: TOP FRAME 1PC
- C: BOTTOM FRAME 1PC
- D: GLASS TOP 1PC



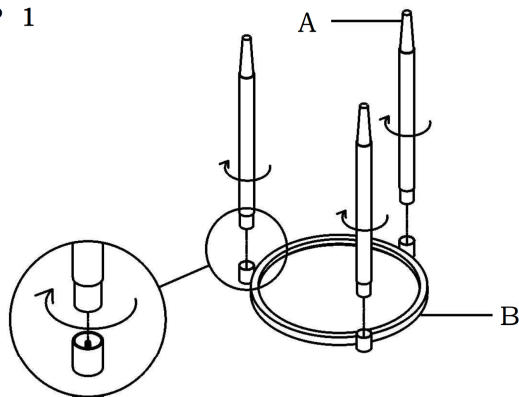
HARDWARE PACKED IN BOX

NO	DESCRIPTION	IMAGE	QUANTITY
1	LEG LEVELER		3 PCS

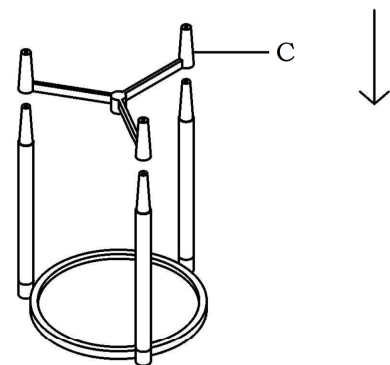
END TABLE FULLY ASSEMBLED



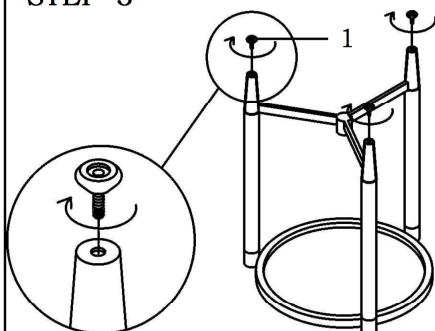
STEP 1



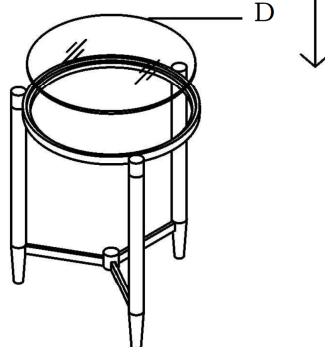
STEP 2



STEP 3



STEP 4



FULLY ASSEMBLED

