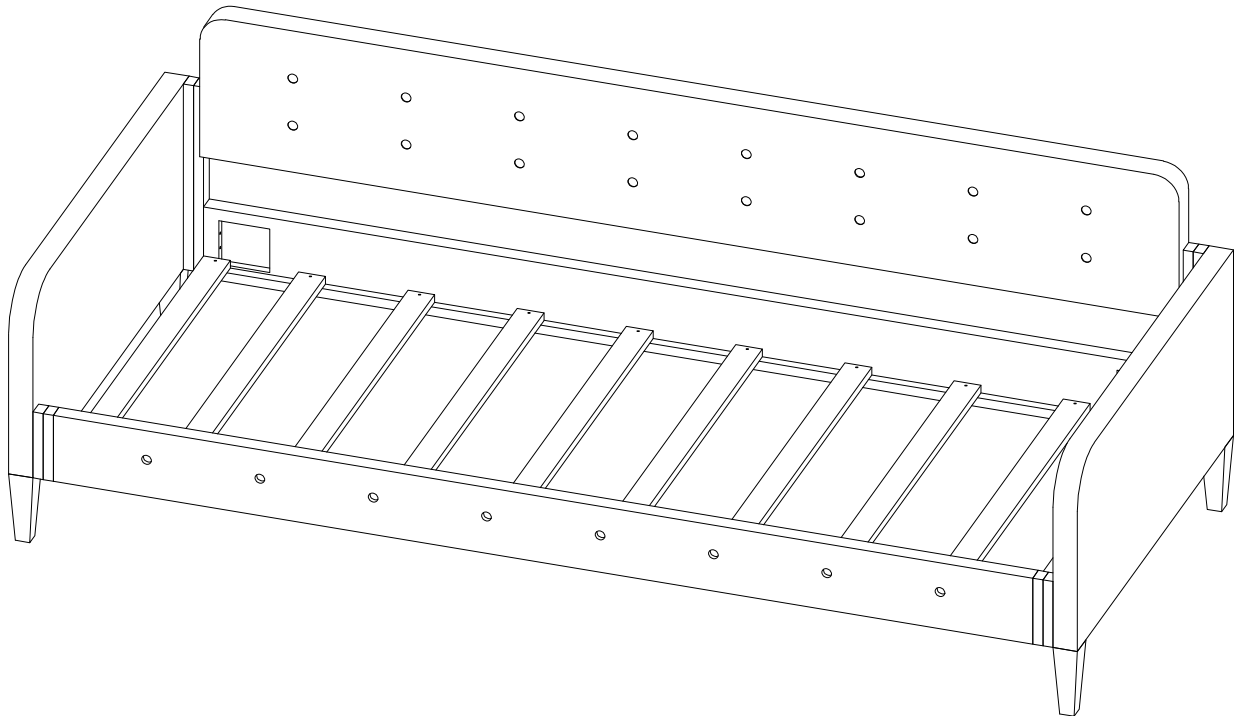
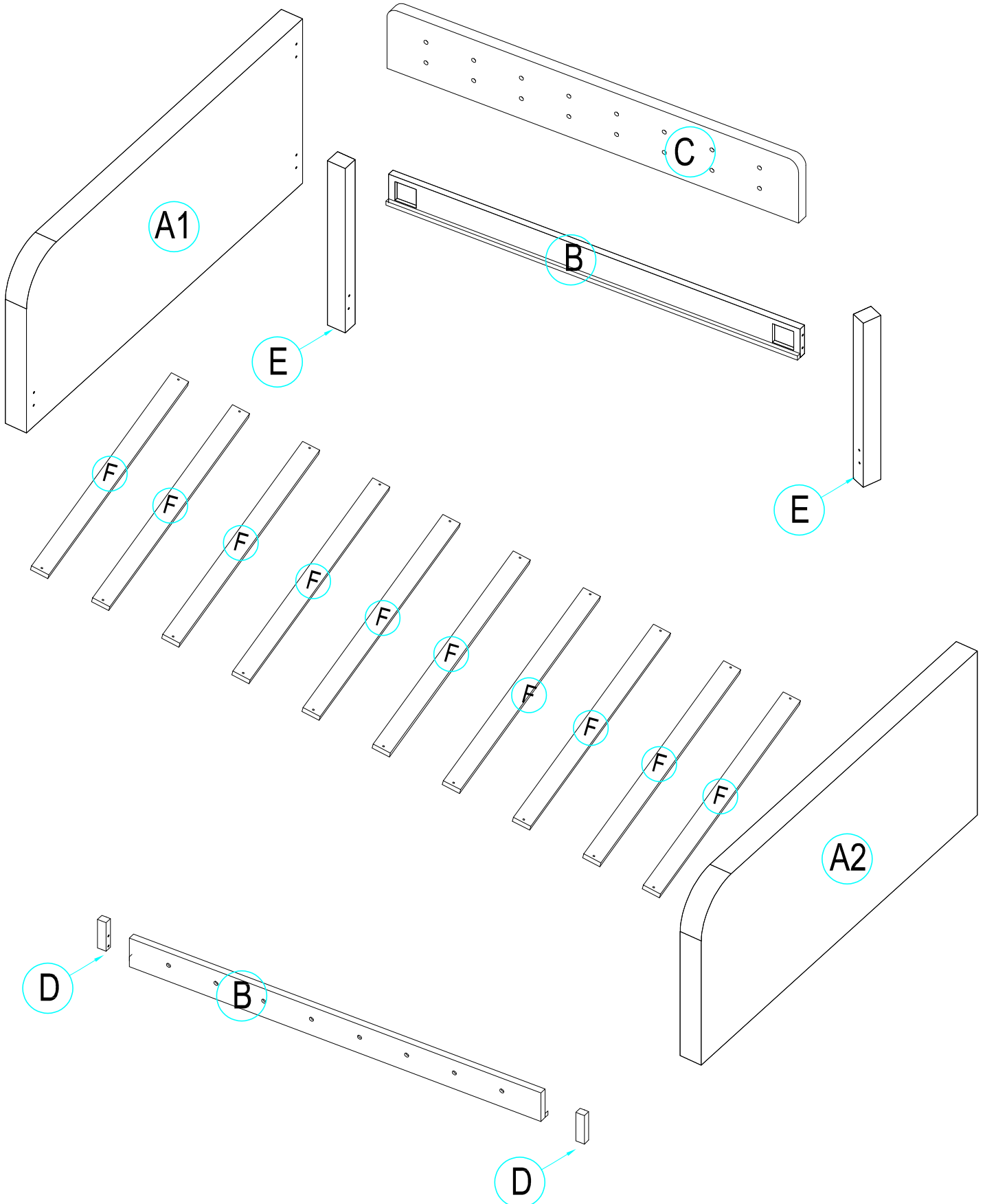


ASSEMBLY INSTRUCTION

SKU CODE: (WF325745/WF325746)

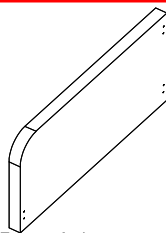


ASSEMBLY INSTRUCTION



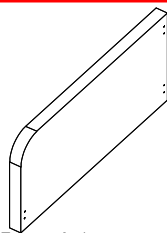
Part List(WF325745)

A1



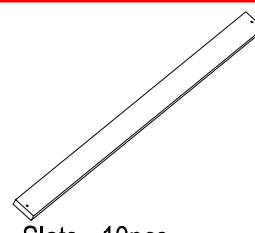
HeadBoard-1pcs

A2



HeadBoard-1pcs

F

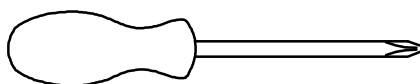


Slats -10pcs

3



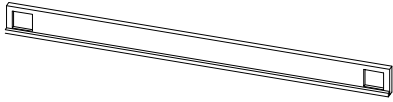
Wood Feet(150x50)
4pcs



Assembly Tools Required (Not Included)

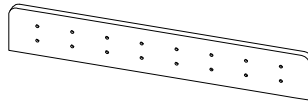
Part List(WF325746)

B



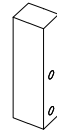
Side Rails-2pcs

C



Back Panels-1pcs

D



Support Bars-2pcs

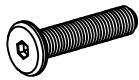
E



Support Bars-2pcs

Hardware List(WF325746)

1



Ø1/4" x 90mm
Hex-Head bolts 12pcs

2

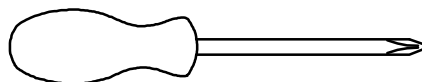


M4 x 30 mm
Wood Screws 20pcs

4



Allen Key 1pcs



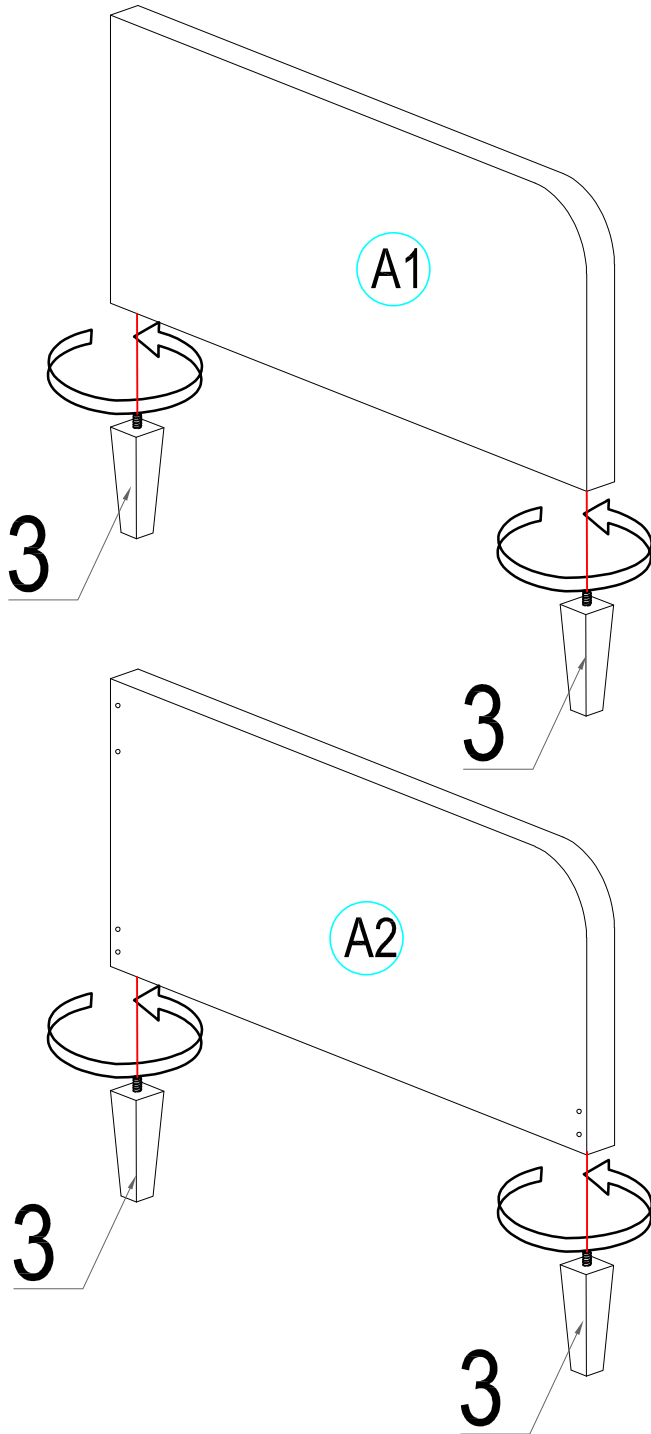
Assembly Tools Required (Not Included)

STEP 1: Following below illustration Assembly Wood Feet(#1) With Headboard and Footboard use HW #3

3



Wood Feet(150x50)
4pcs

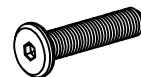


STEP 2:

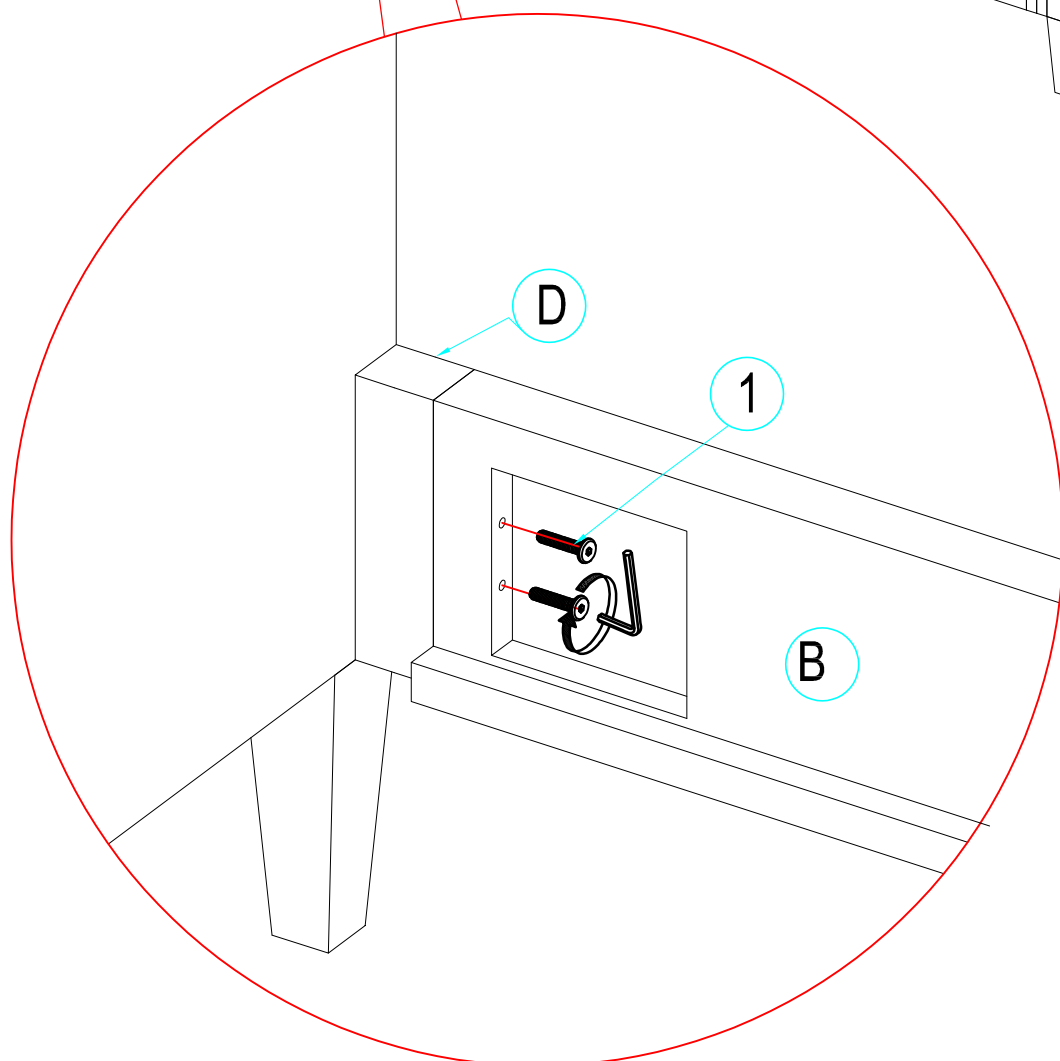
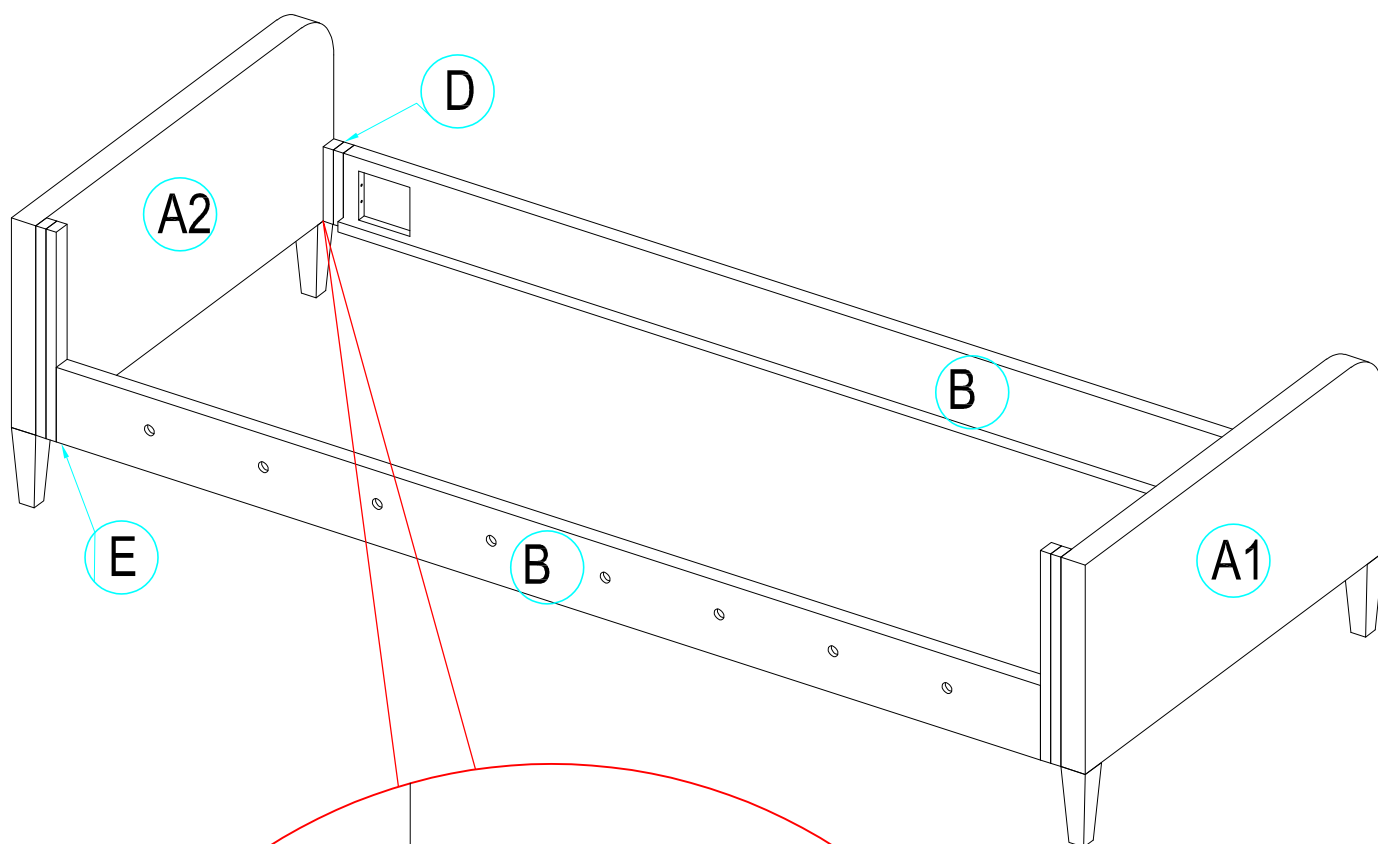
According to the illustration below Use hardware #1 to assemble the wooden slats

B(x2), Look at the detail view for more details

1



Ø1/4" x 90mm
Hex-Head bolts 8pcs



STEP 3:

Following below illustration:

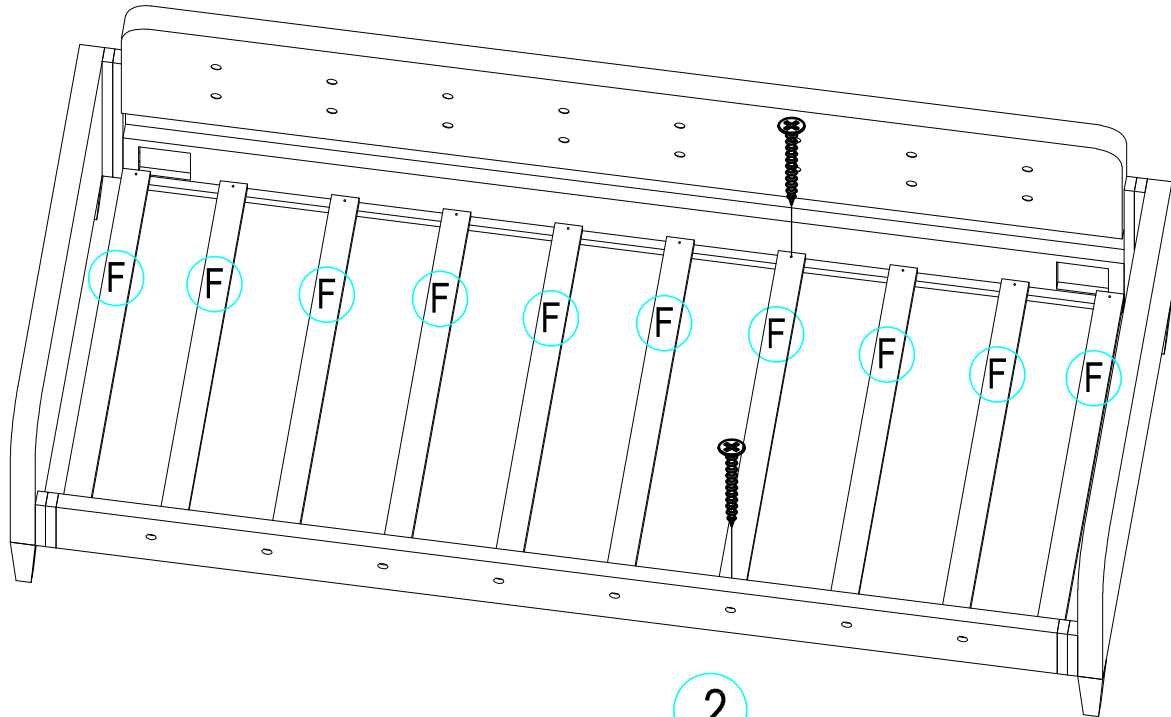
-Screw 10 slats H with slats 2 B by using hardware #2.

-Look at detail view for more detail

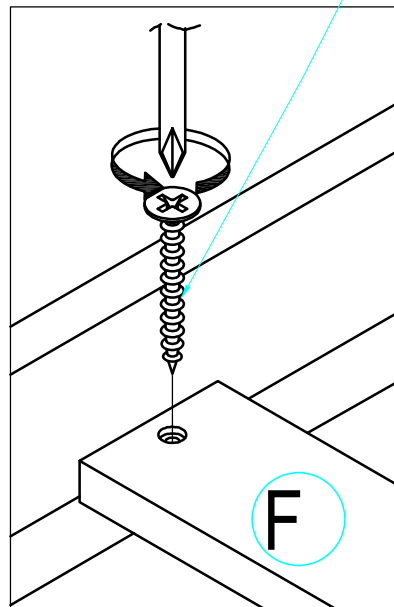
2



M4 x 30 mm
Wood Screws 20pcs



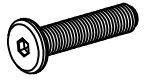
2



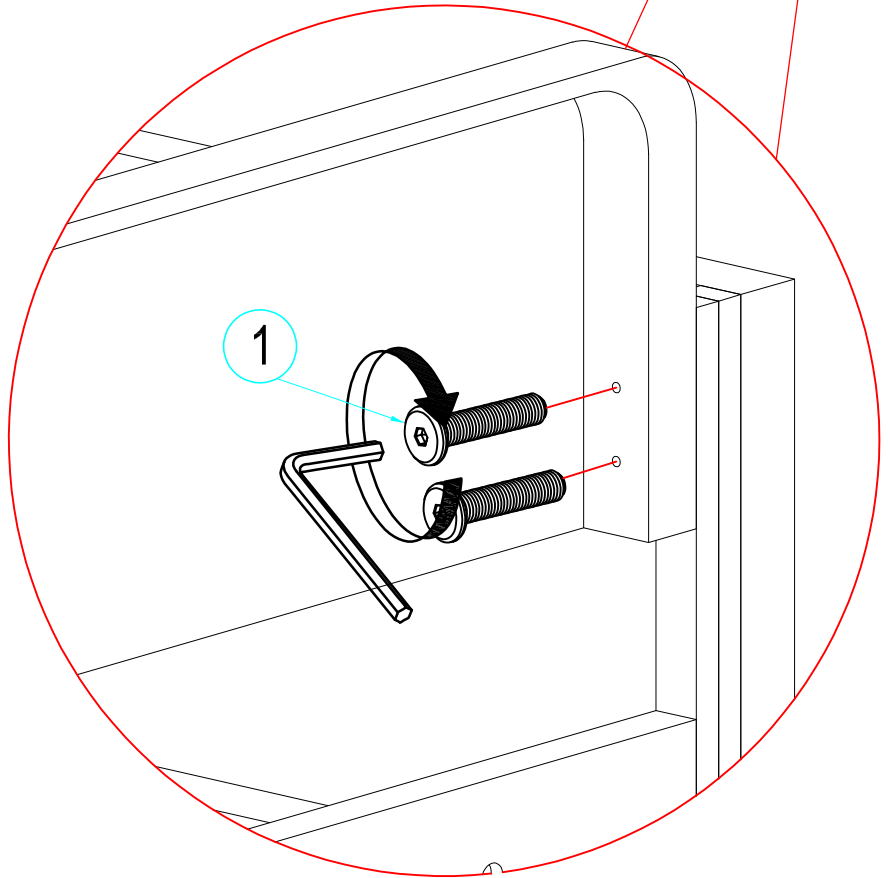
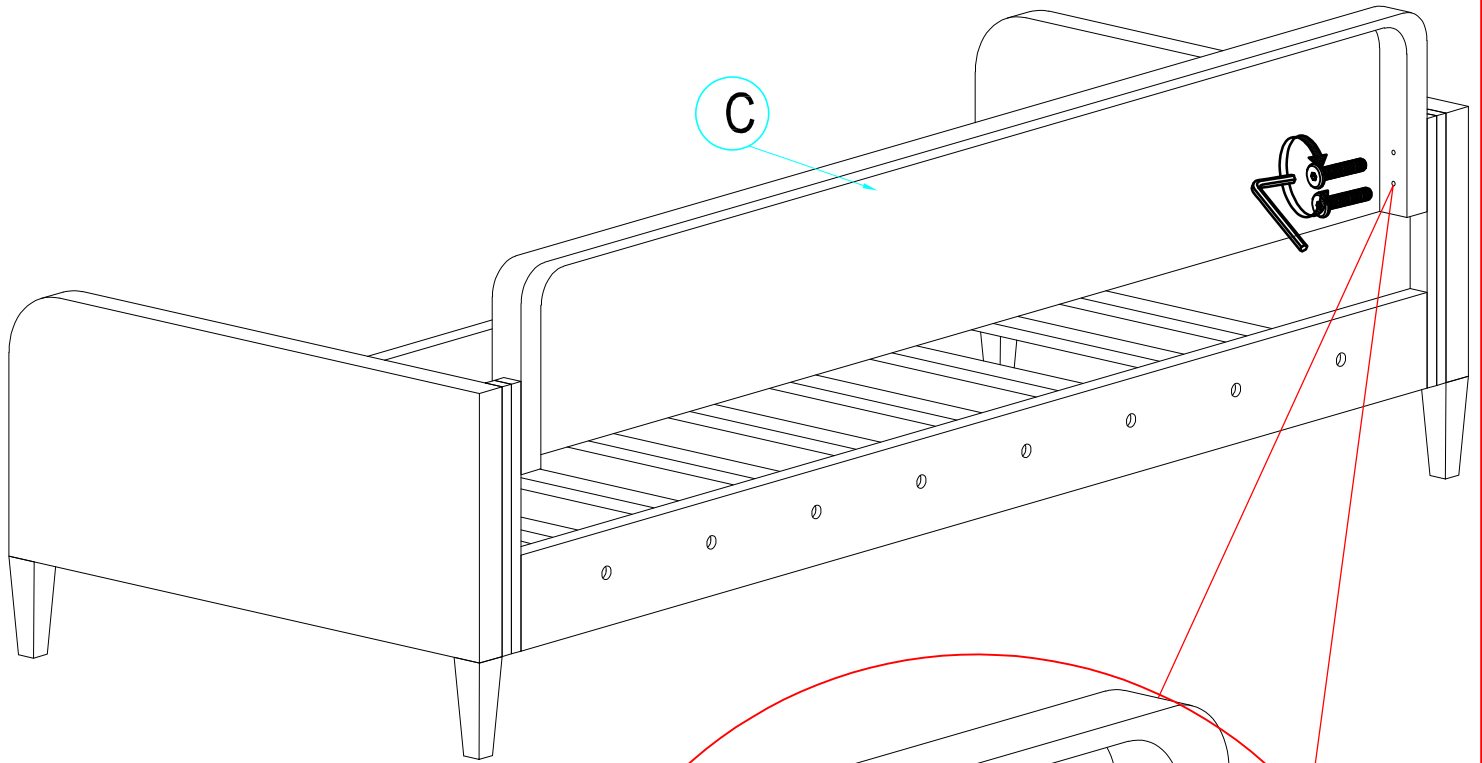
STEP 4: Following below illustration

-Using hardware #1 to Assembly Frame with Back Frame C

1



Ø1/4" x 90mm
Hex-Head bolts 4pcs



FINISH

