

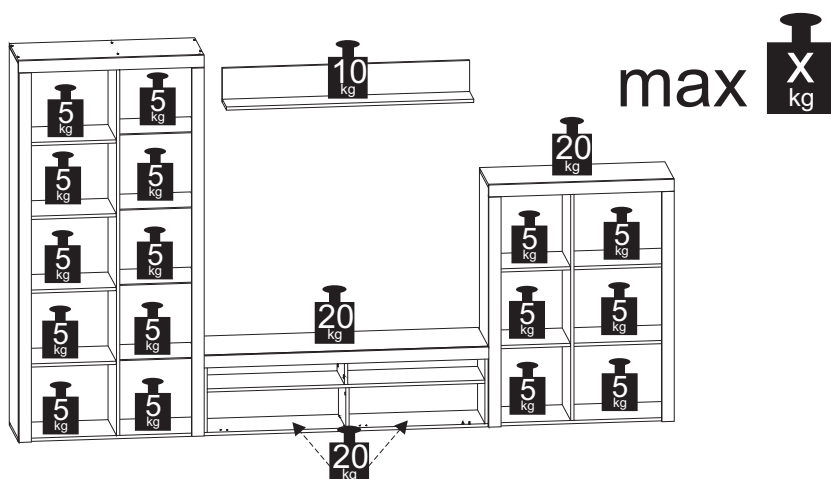
	B	H	T	
14	382	296	5	x4
18	900	334	16	x1
19	900	334	16	x1
26	383	306	16	x2
27	468	306	16	x2

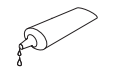

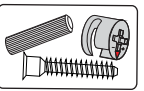
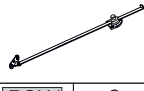

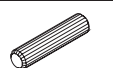
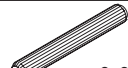




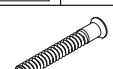
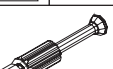

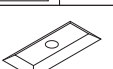


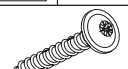






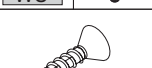


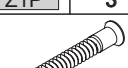
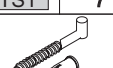



	B	H	T	
10	901	60	16	x1
15	1168	334	16	x1
16	1168	334	16	x1
17	1168	316	16	x1
20	1184	399	3	x1
21	1184	484	3	x1
22	1134	429	16	x1
23	1141	60	16	x1
24	901	60	16	x1
25	1141	60	16	x1

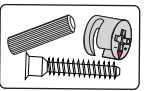
	B	H	T	
1	1860	334	16	x1
2	1860	334	16	x1
3	1860	316	16	x1
4	900	334	16	x1
5	900	334	16	x1

	B	H	T	
6	1876	484	3	x1
7	1876	399	3	x1
8	1832	60	16	x1
9	1826	60	16	x1
11	1826	429	16	x1
12	1810	361	4	x1
13	468	306	16	x4

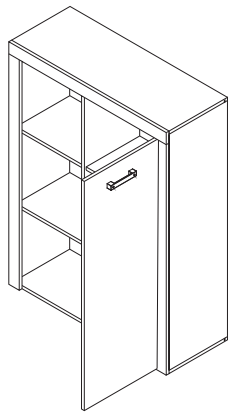
	B	H	T	
28	375	368	16	x1
29	375	368	16	x1
30	1347	334	16	x1
31	1380	375	16	x1
32	1380	375	16	x1
33	275	152	16	x1
34	275	200	16	x1
35	1363	222	3	x1
36	1381	60	16	x1
37	1375	228	16	x1
38	1200	170	16	x1
39	1200	154	16	x1



													
KSK1	1	ZMP1	4						RSH1	2			
													
KK1	1	KD1	40	KD2	8	ZDR1	7	W4	28	S1	20	KS1	4
													
K1	24	ZM1B	36	ZM1A	40	PL1	26	W1	40	ZMR1	2	WU	8
													
ZM1	40	PP	50	Z1P	3	TS1	7	W12	7	W6	15	W11	20
													
OS1	4	KRW2	1	K2	7	KRL1	2	W16	4	TPP3	2	KRW1	4

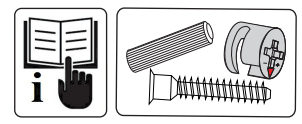
	
SS3	15
U1	5
PK3	1
ZKL1	1

01



1/5

18	900	334	16	x1
19	900	334	16	x1
26	383	306	16	x2
27	468	306	16	x2

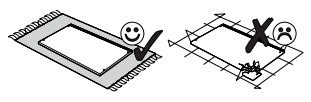


2/5

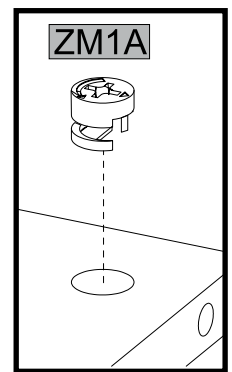
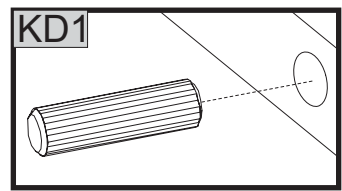
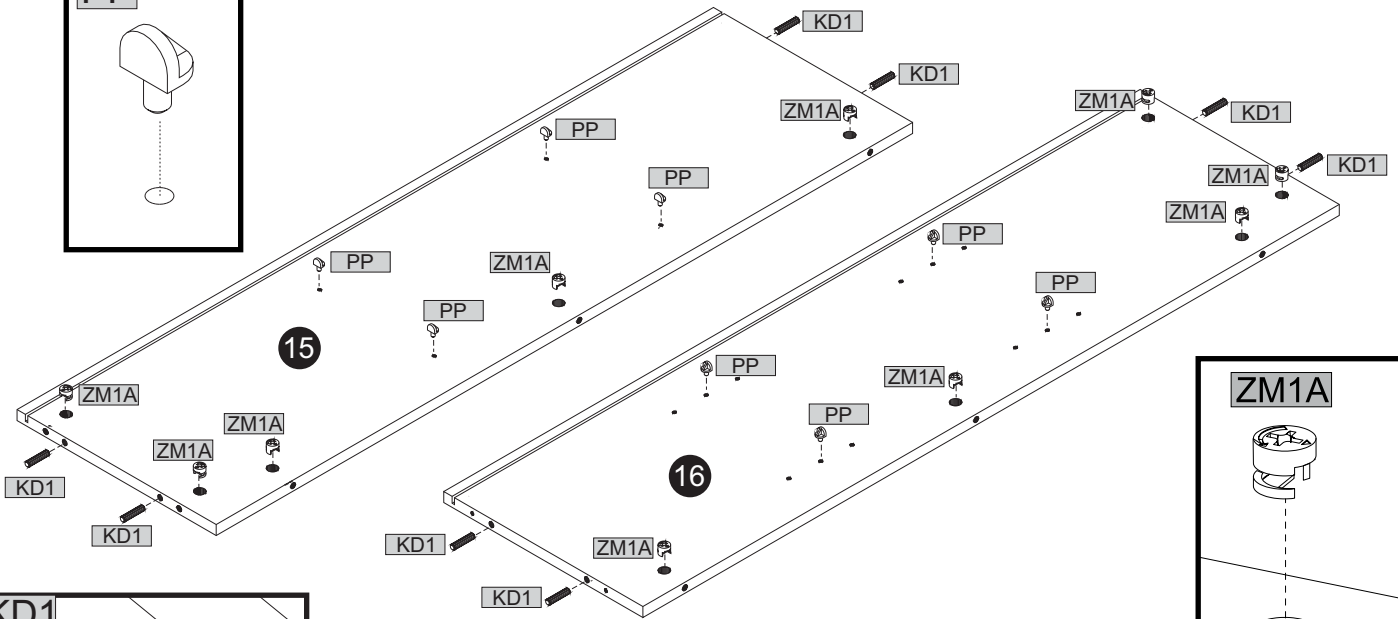
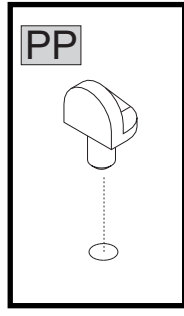
15	1168	334	16	x1
16	1168	334	16	x1
17	1168	316	16	x1
20	1184	399	3	x1
21	1184	484	3	x1

22	1134	429	16	x1
23	1141	60	16	x1
24	901	60	16	x1
25	1141	60	16	x1

02



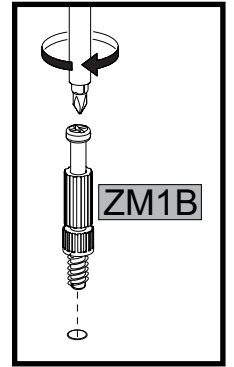
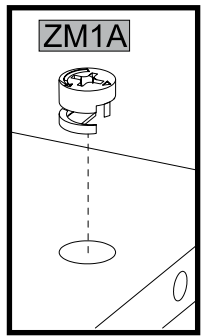
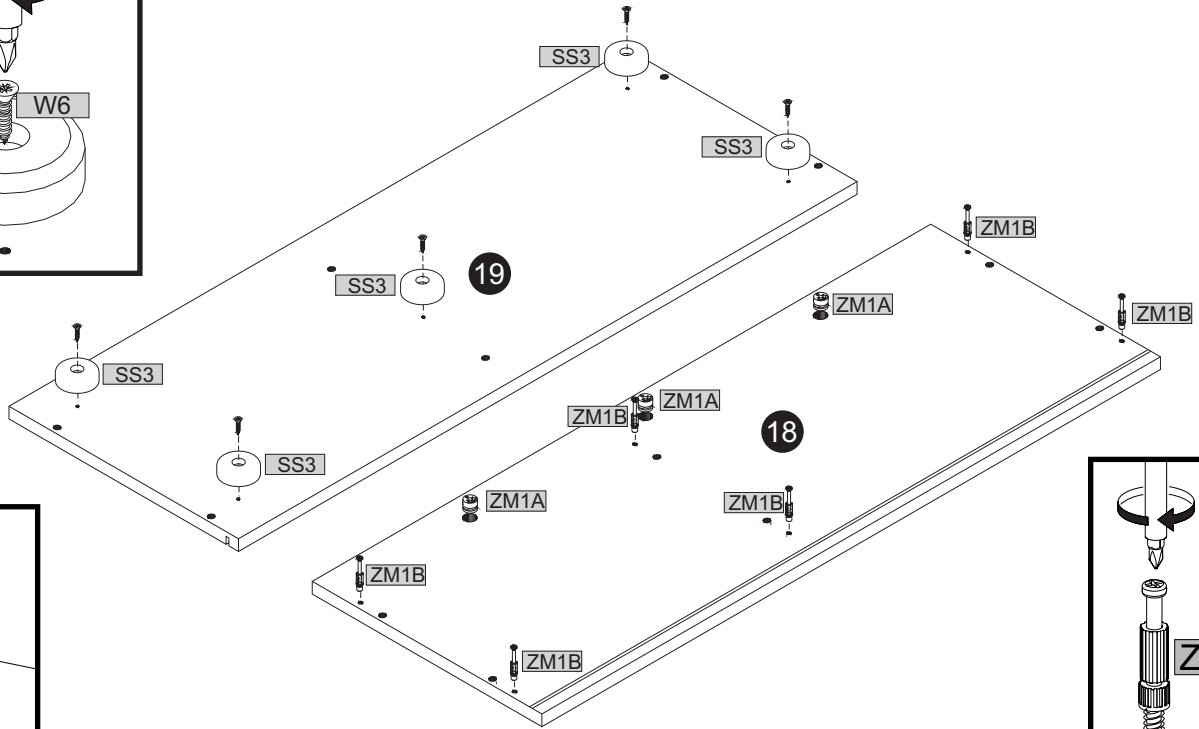
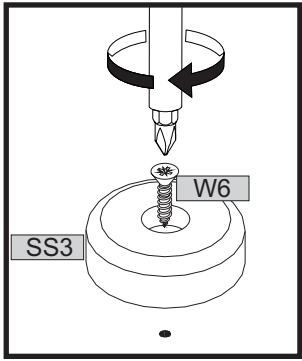
	10		8		8
ZM1A	10	PP	8	KD1	8



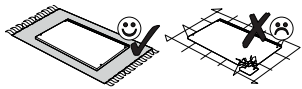
03



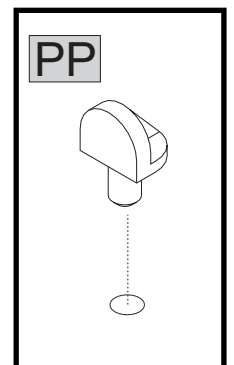
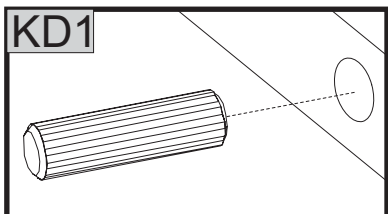
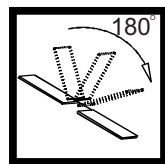
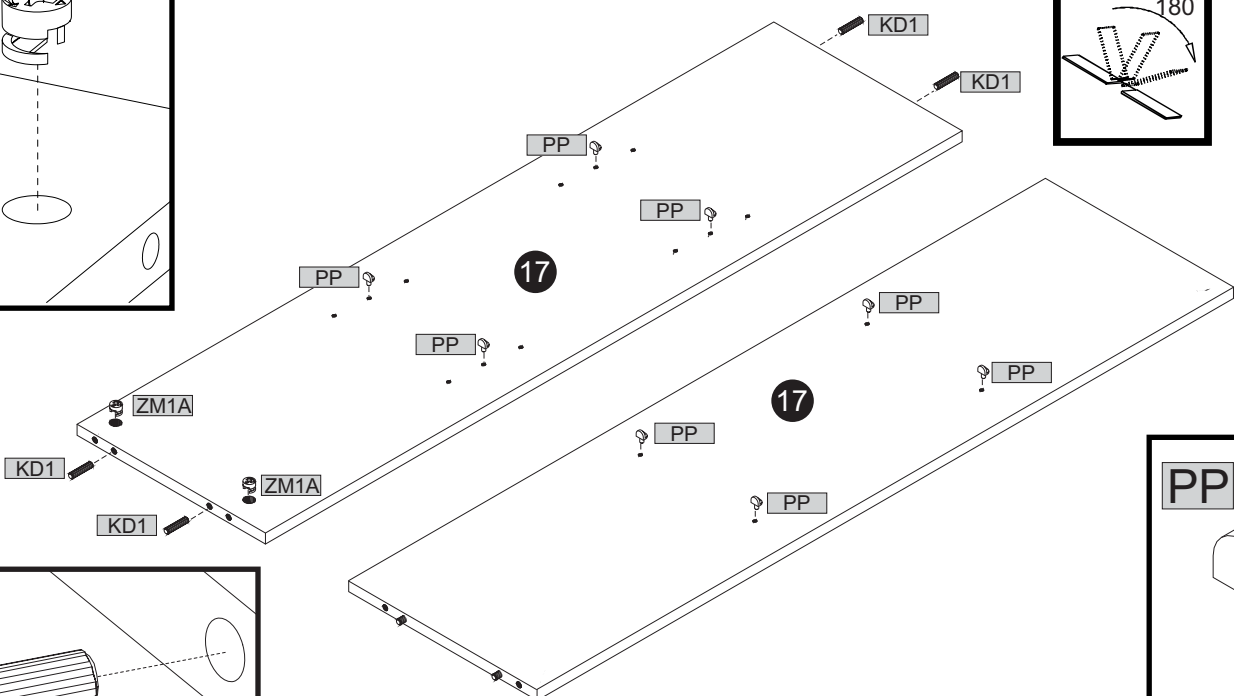
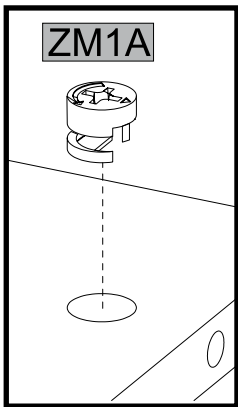
	ZM1A	3		ZM1B	6		SS3	5		W6	5
--	-------------	----------	--	-------------	----------	--	------------	----------	--	-----------	----------



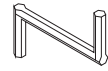
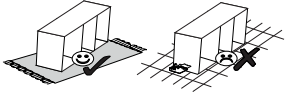
04



	KD1	4		PP	8		ZM1A	6
--	------------	----------	--	-----------	----------	--	-------------	----------



05

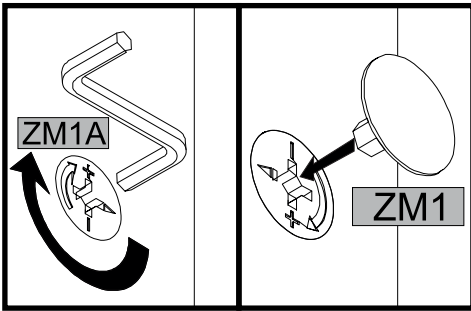
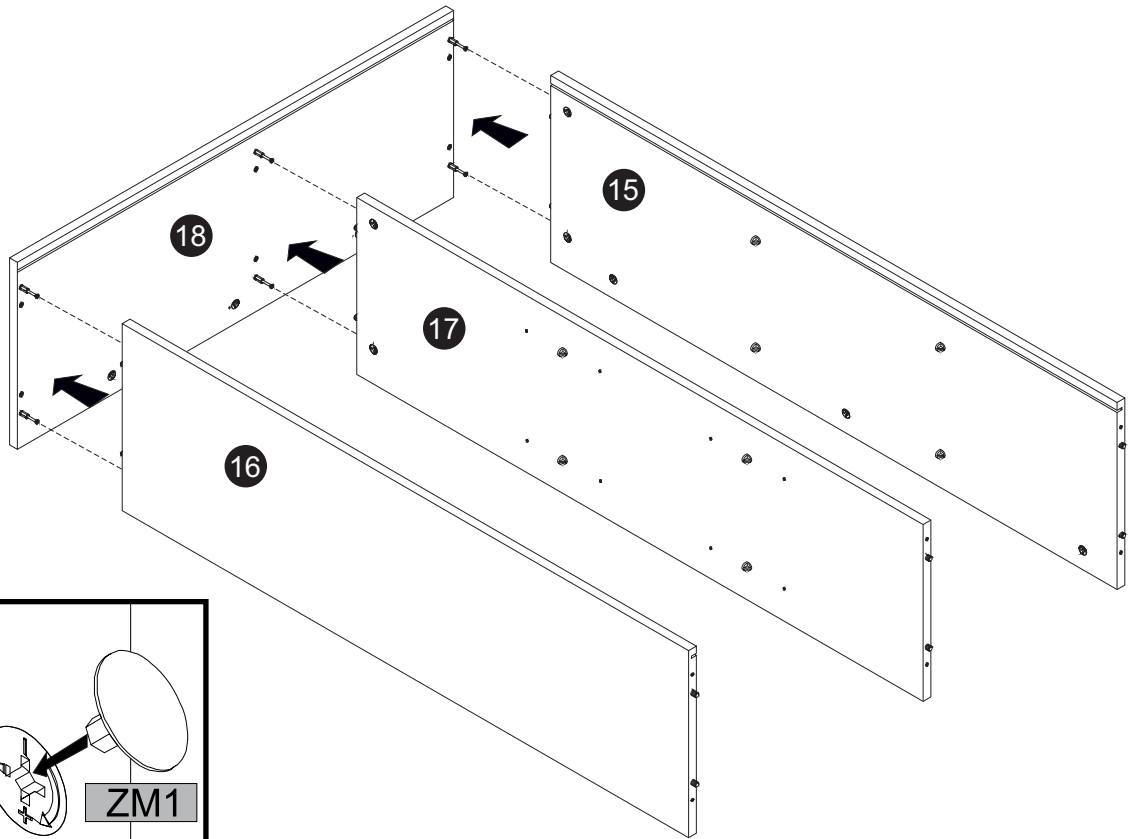


KK1

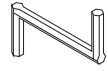
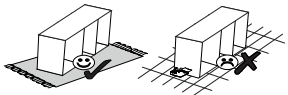
1

ZM1

6



06

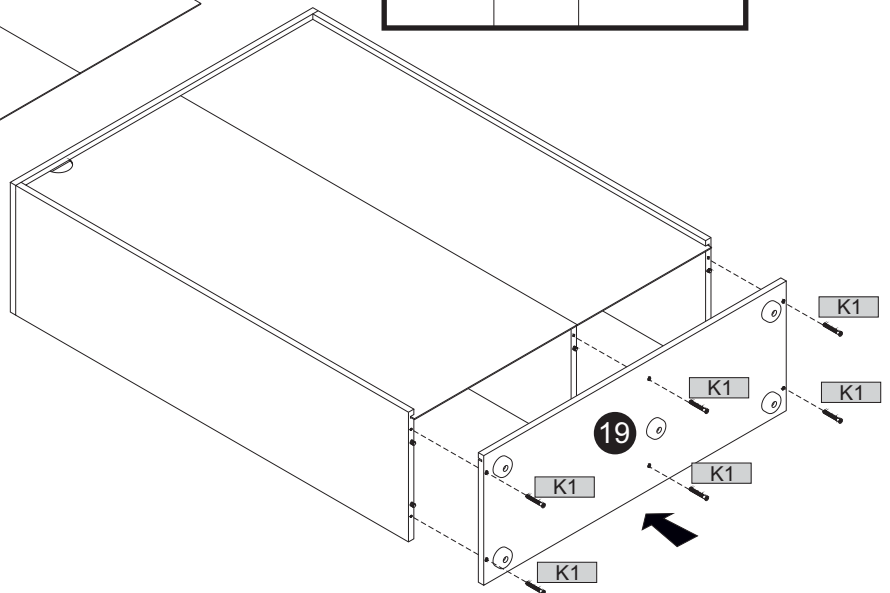
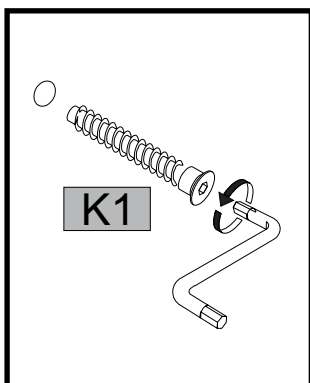
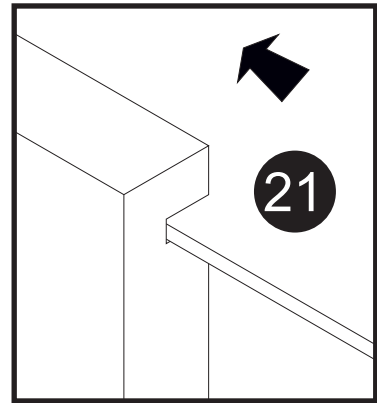
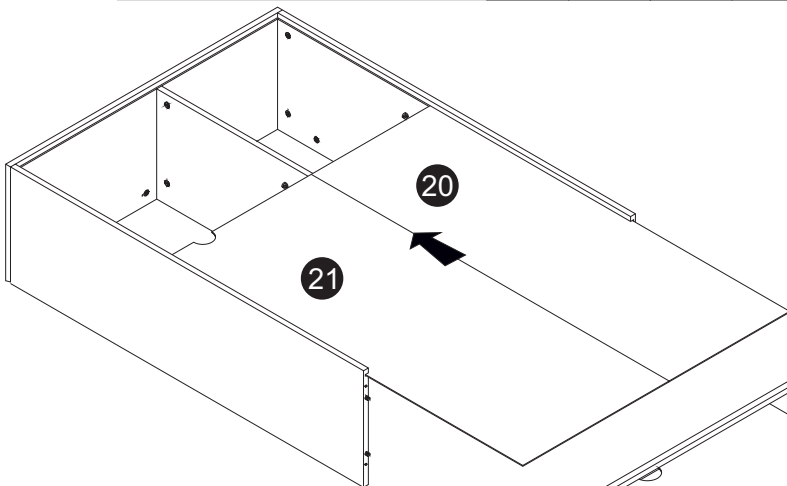


KK1

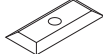
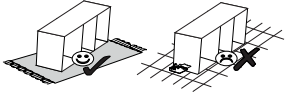
1

K1

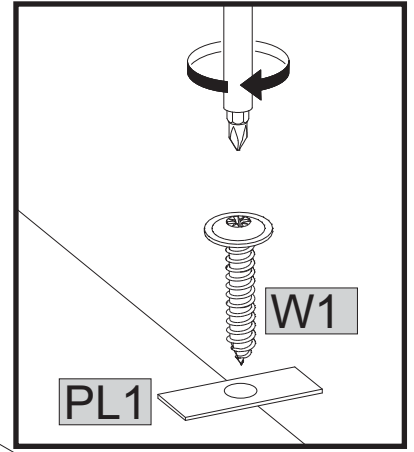
6



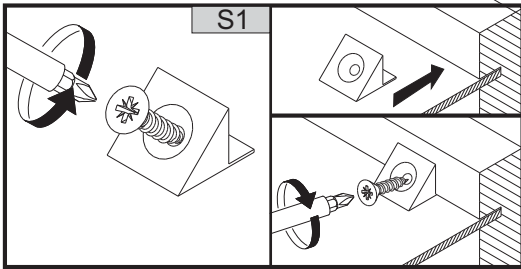
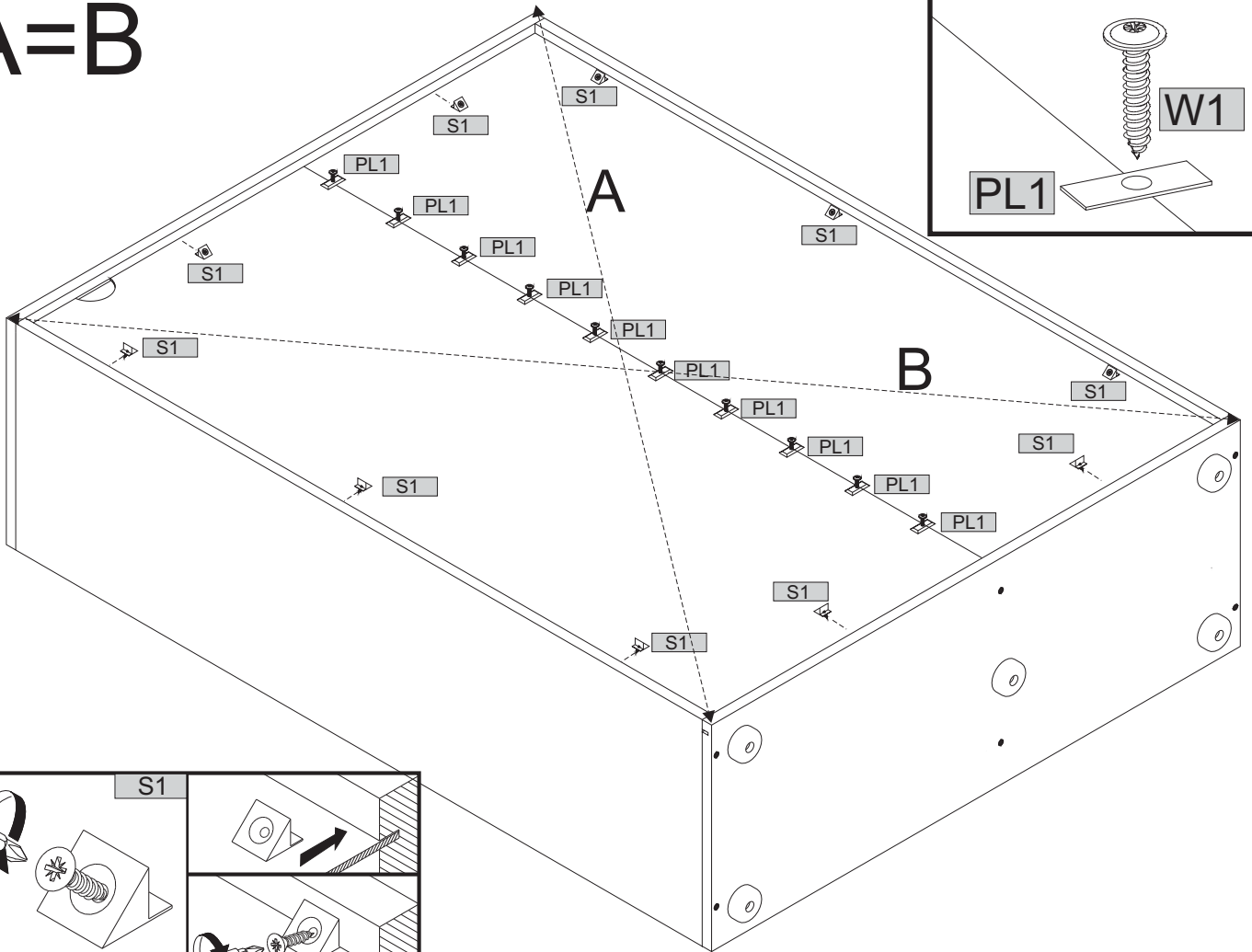
07



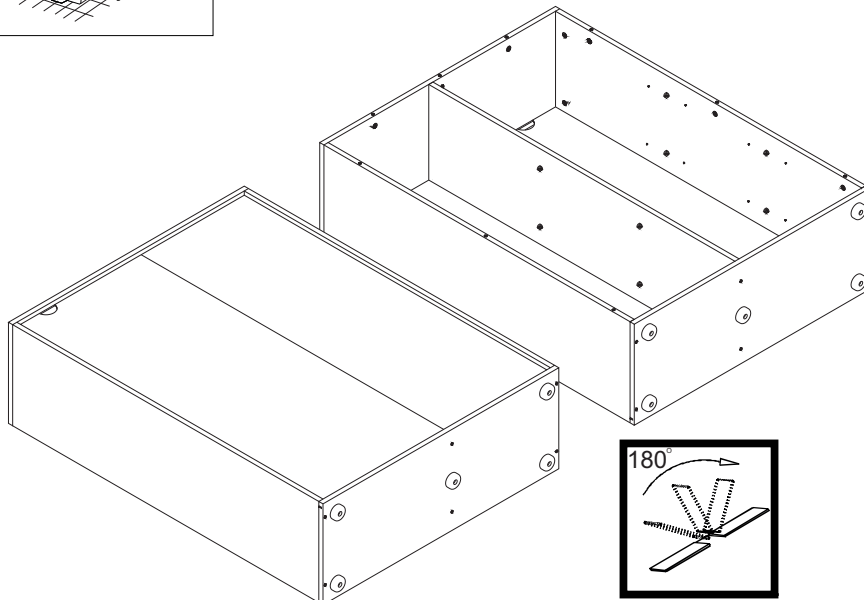
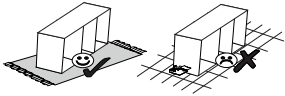
S1	10	PL1	10	W1	10
----	----	-----	----	----	----



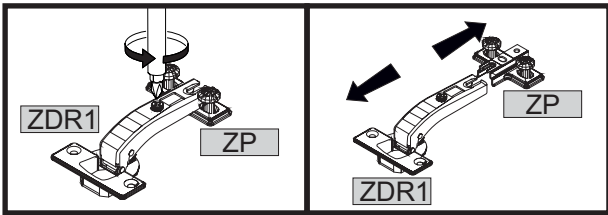
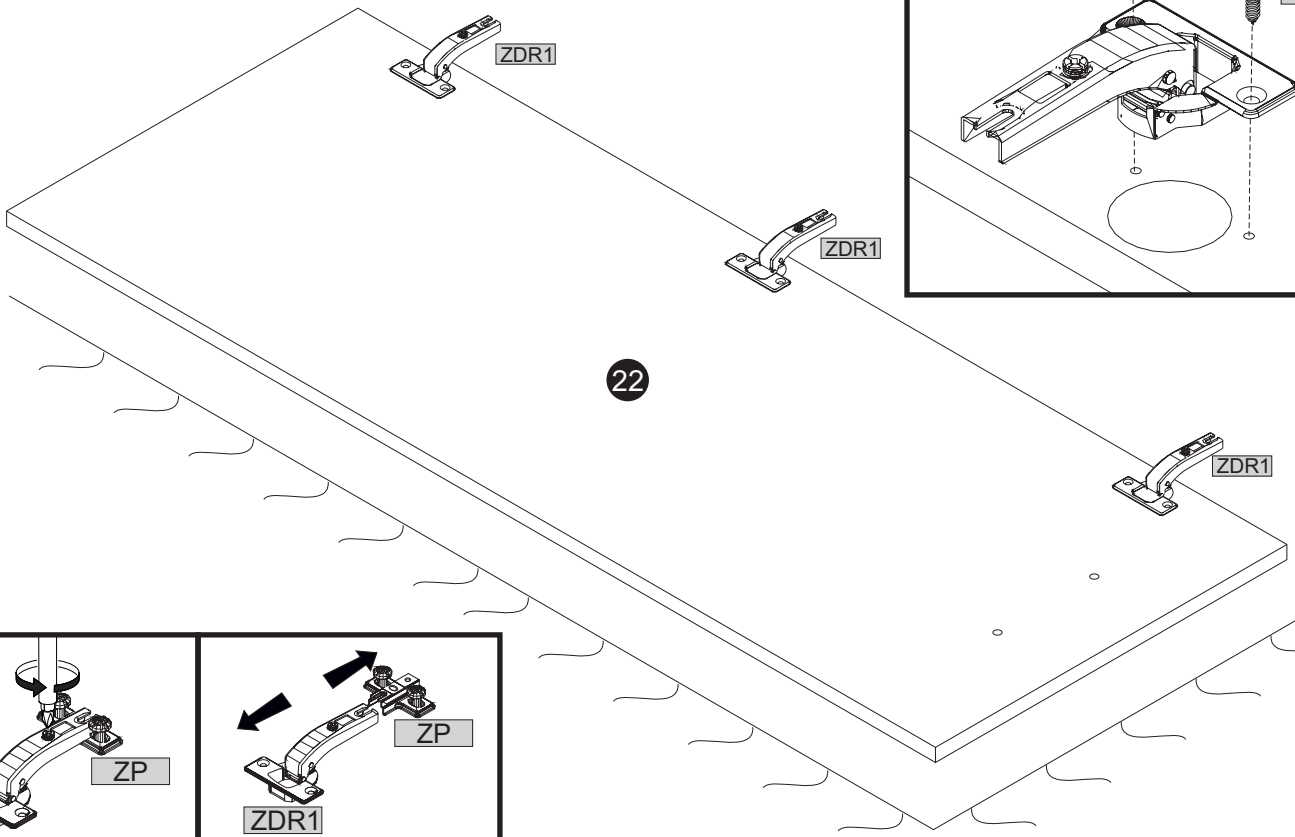
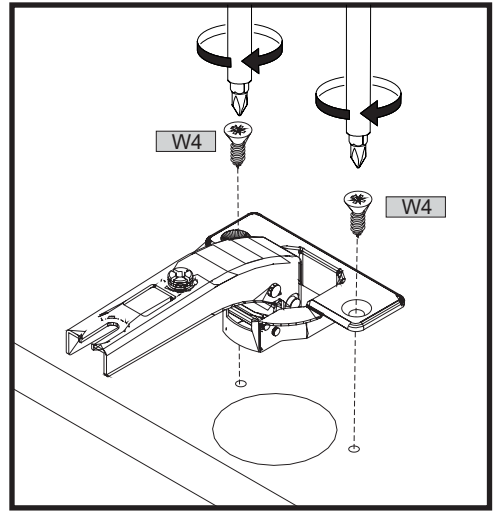
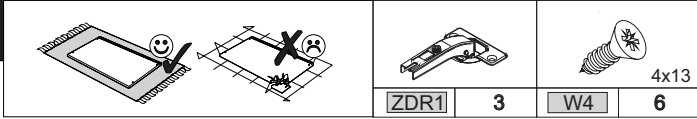

A=B



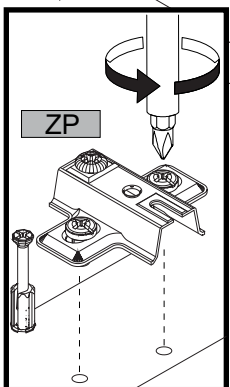
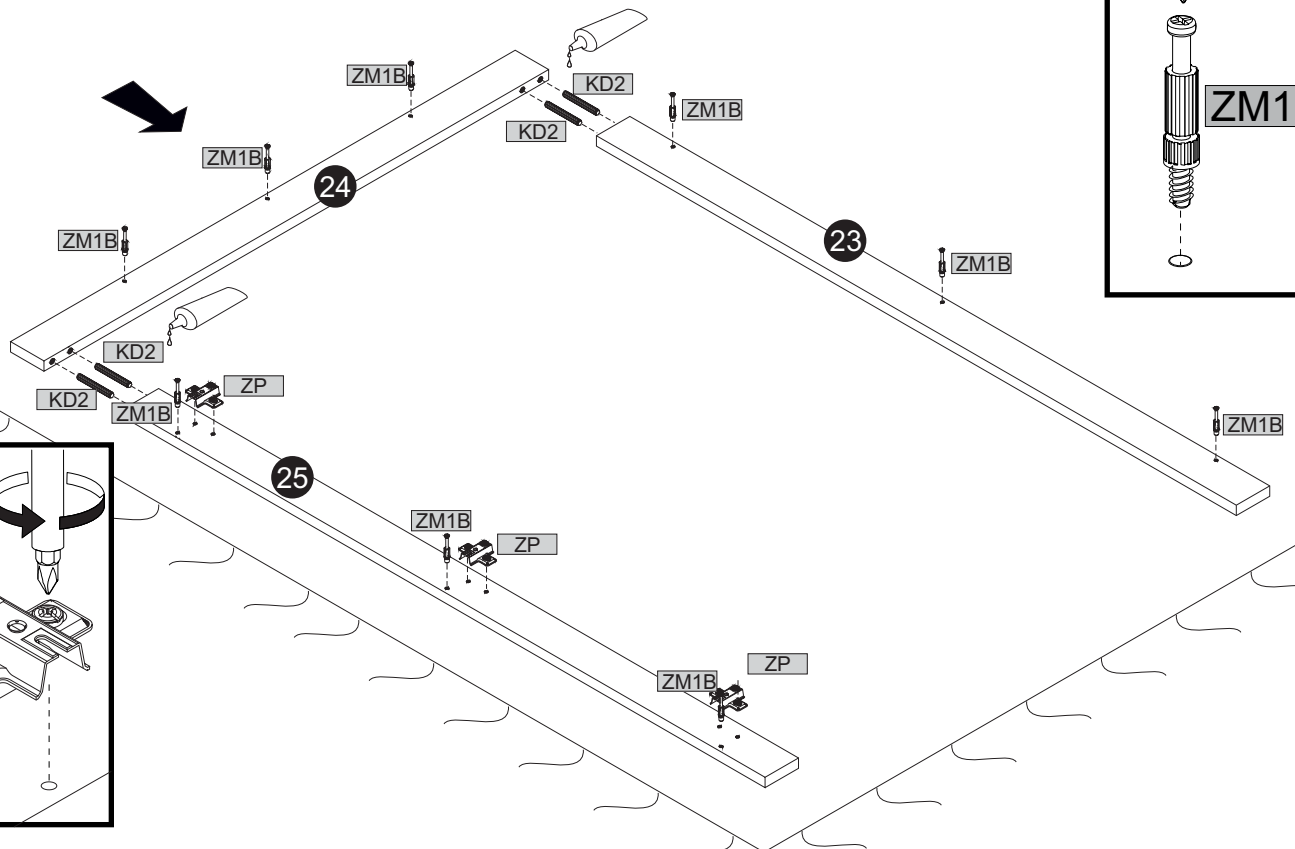
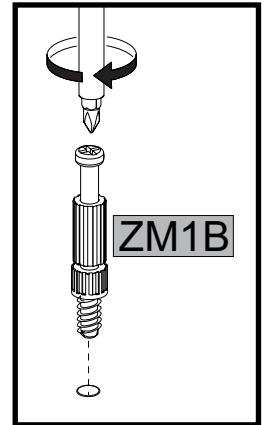
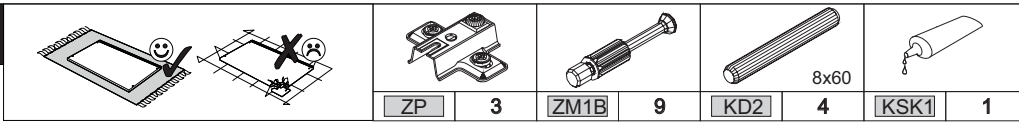
08



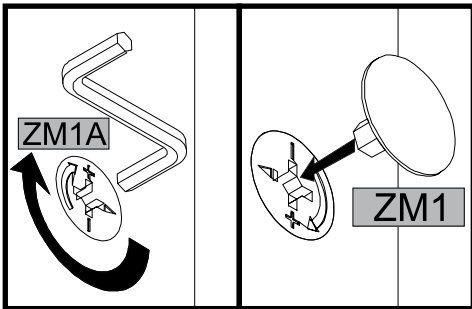
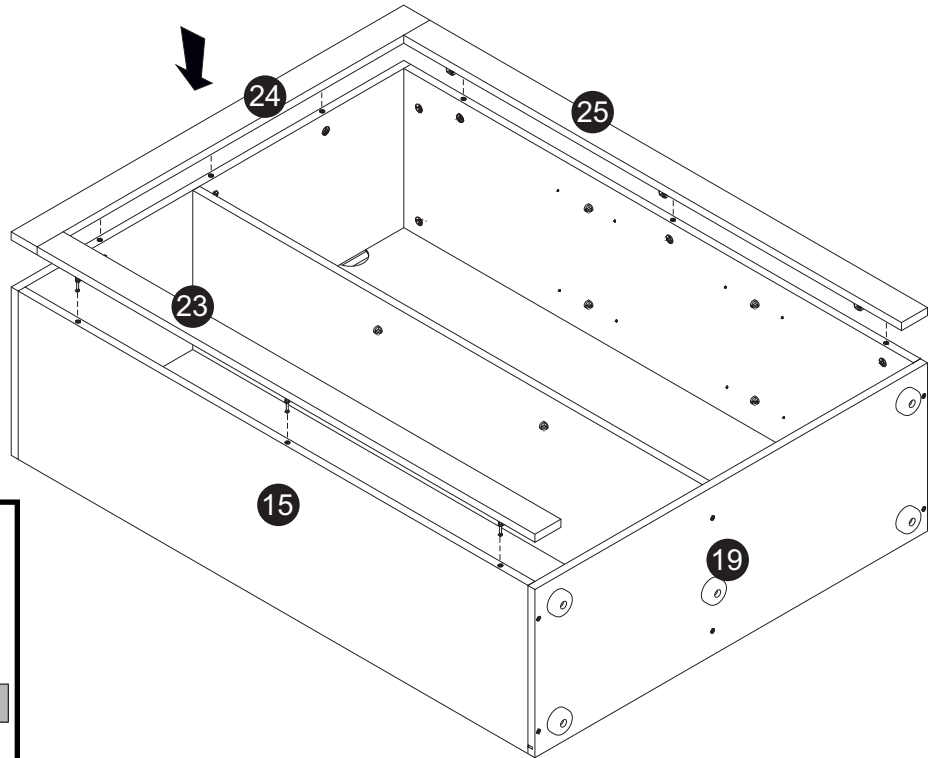
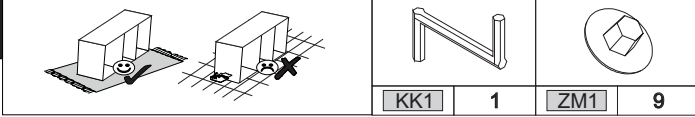
09



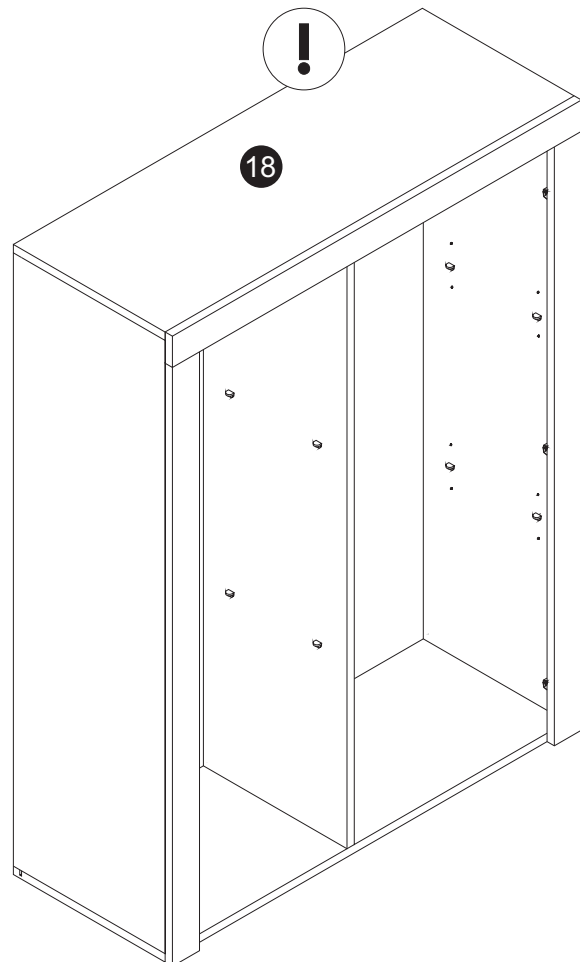
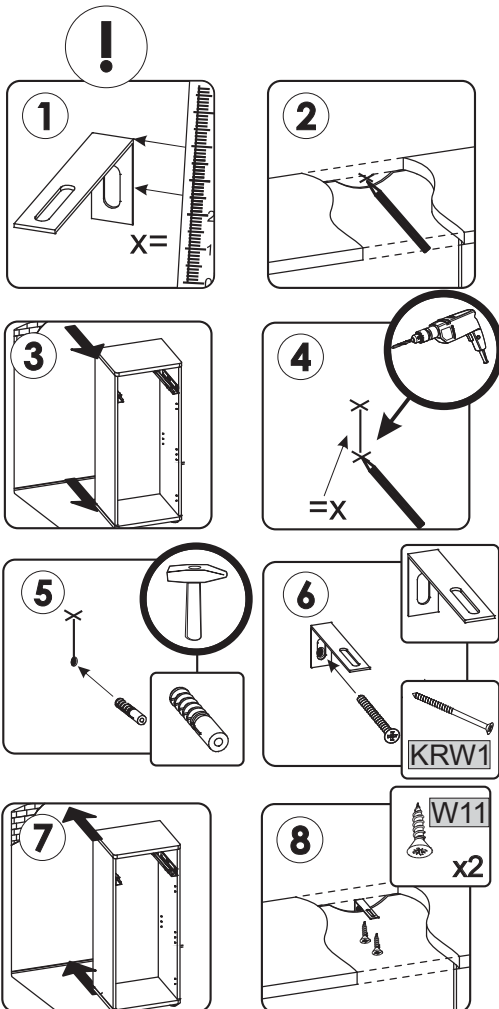
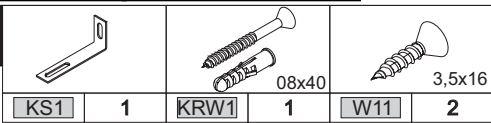
10



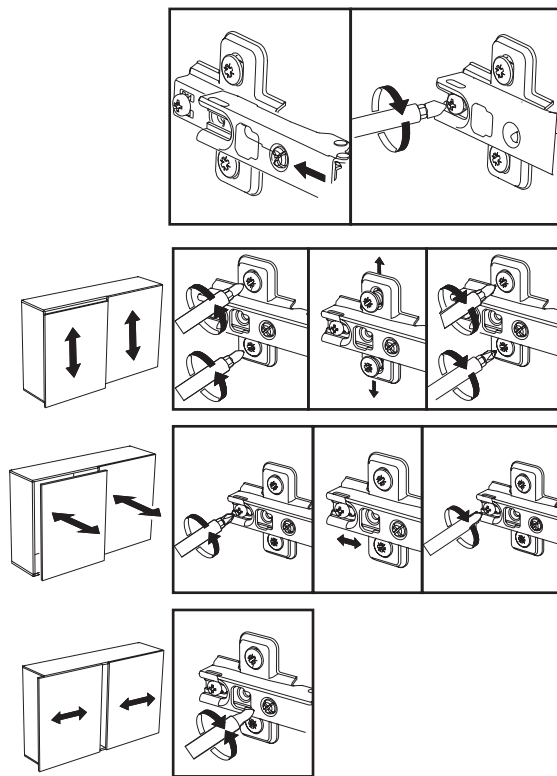
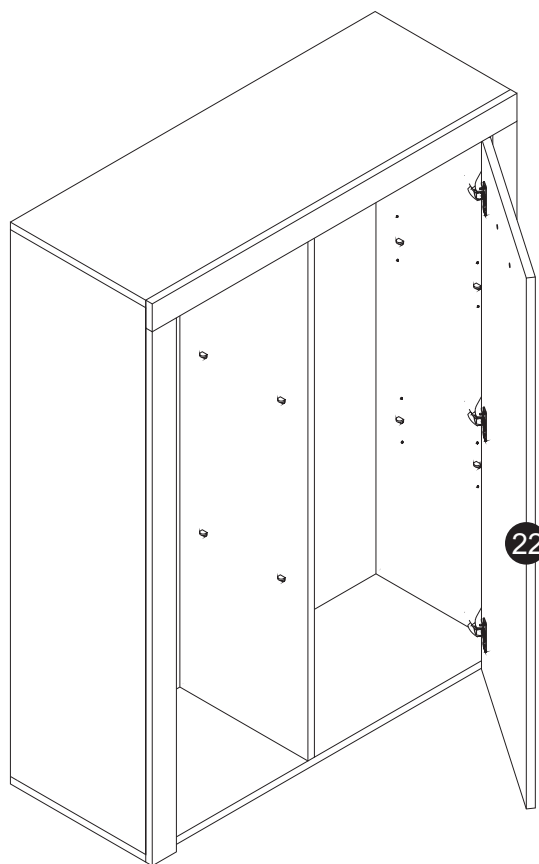
11



12

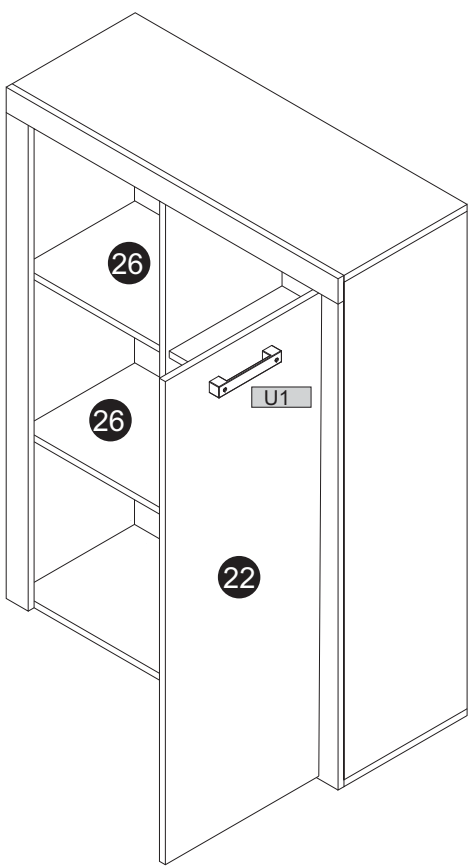
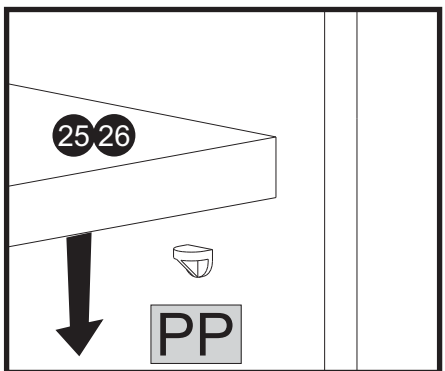
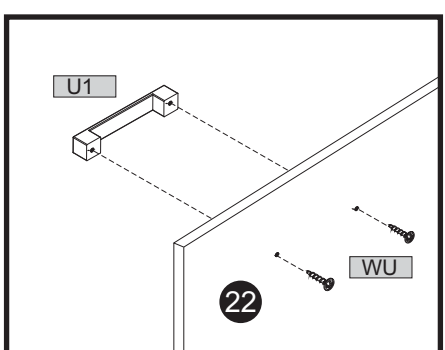


13



14

U1	1	WU	2



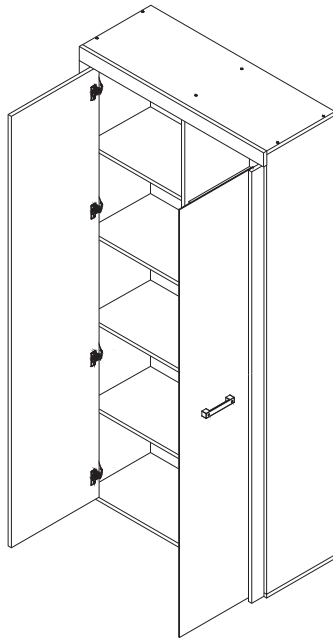
15

1/5	
B	H
382	296
5	x4

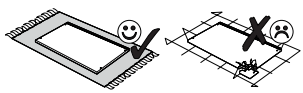
2/5	
B	H
901	60
16	x1

3/5	
B	H
1860	334
16	x1
1860	334
16	x1
1860	316
16	x1
900	334
16	x1
900	334
16	x1

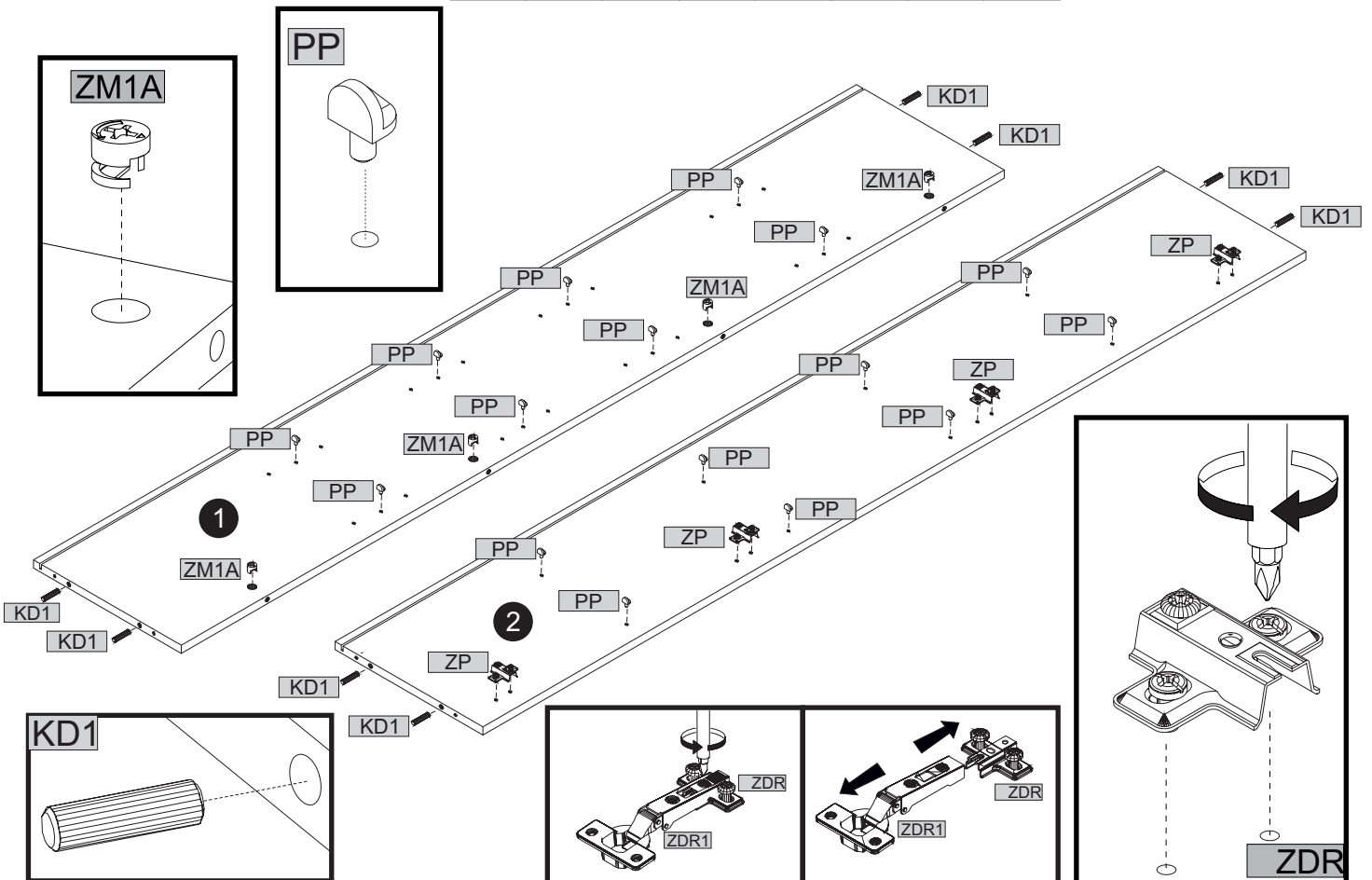
4/5	
B	H
1876	484
3	x1
1876	399
3	x1
1832	60
16	x1
1826	60
16	x1
1826	429
16	x1
1810	361
4	x1
468	306
16	x4



16

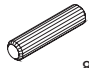



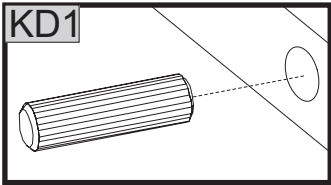
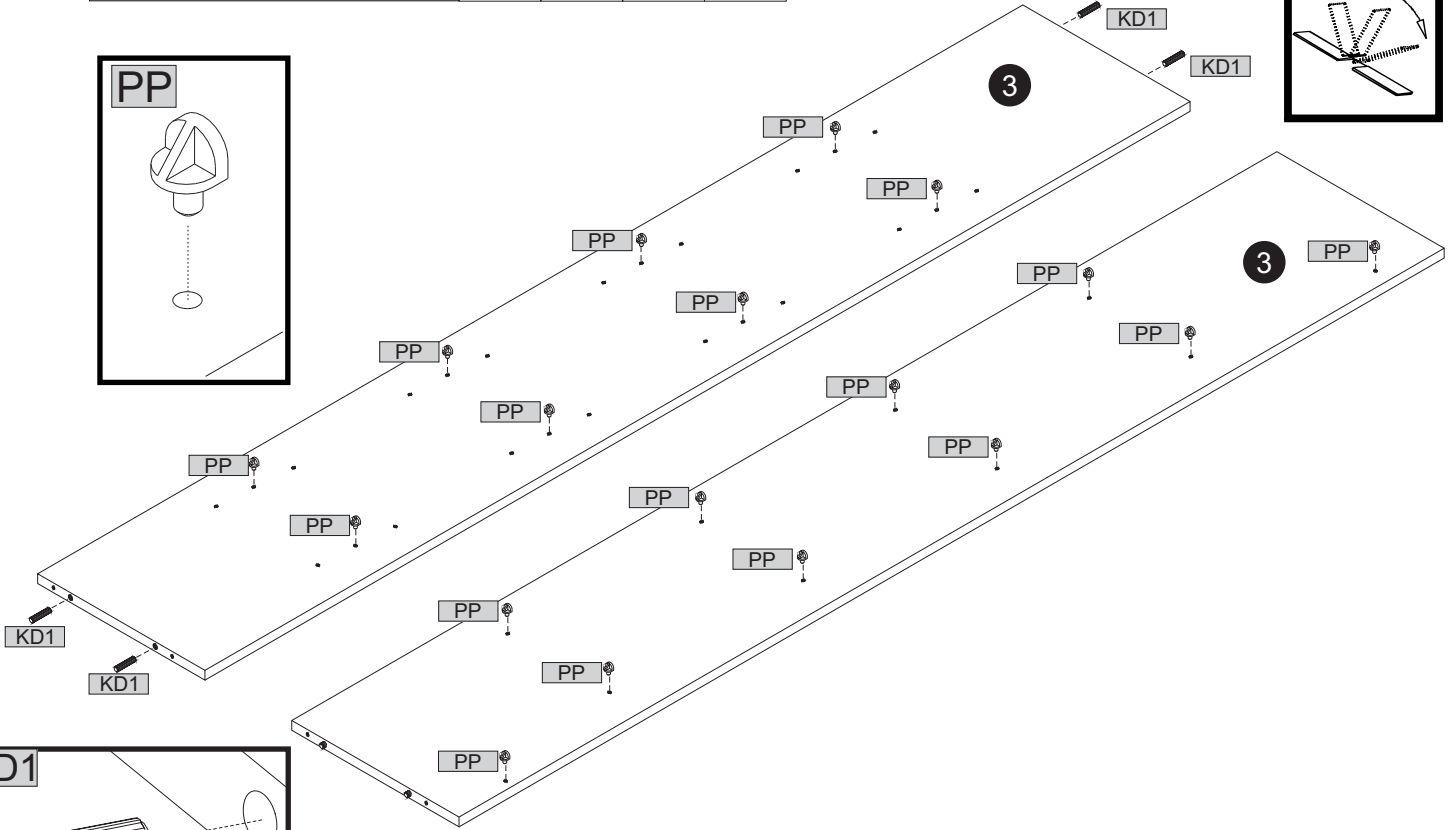
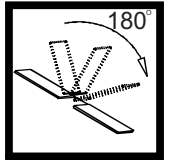
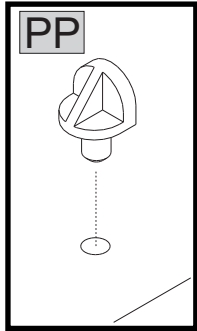
	8x35		4		16		4
KD1	8	ZM1A	4	PP	16	ZDR	4



17






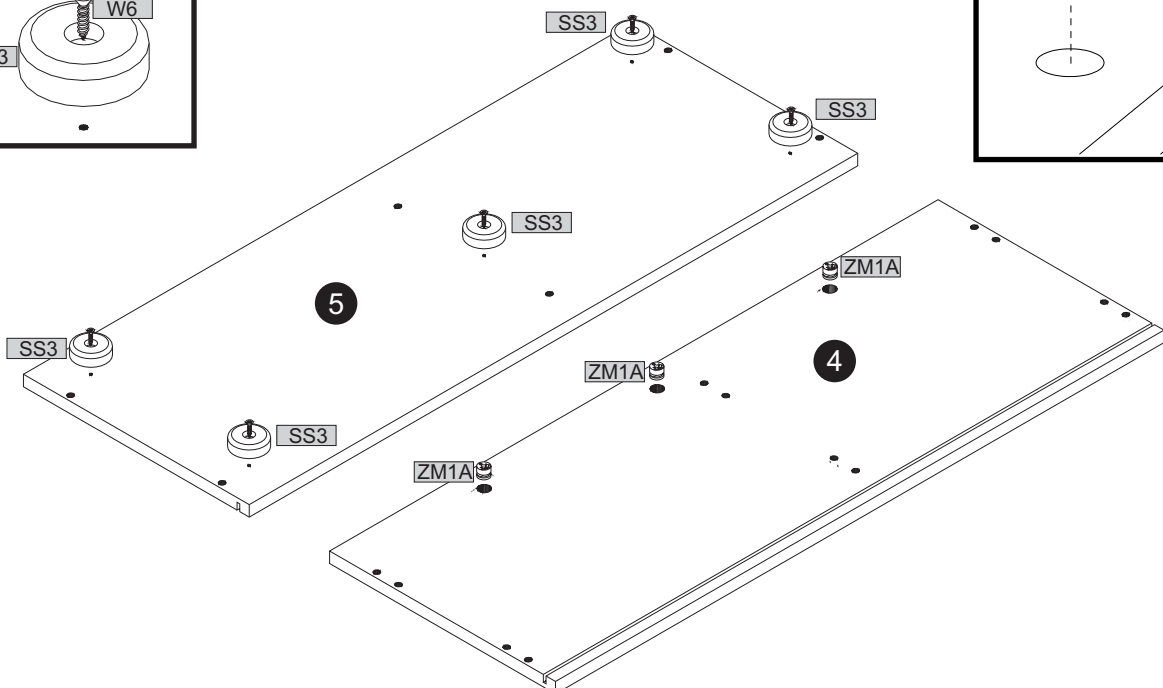
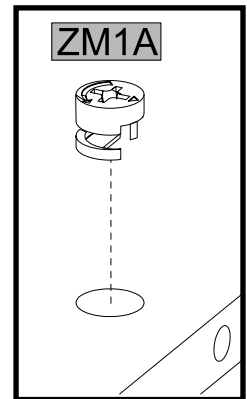
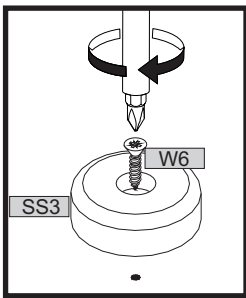
		
	8x35	
KD1	4	PP 18



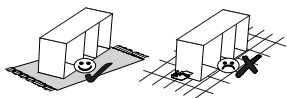
18



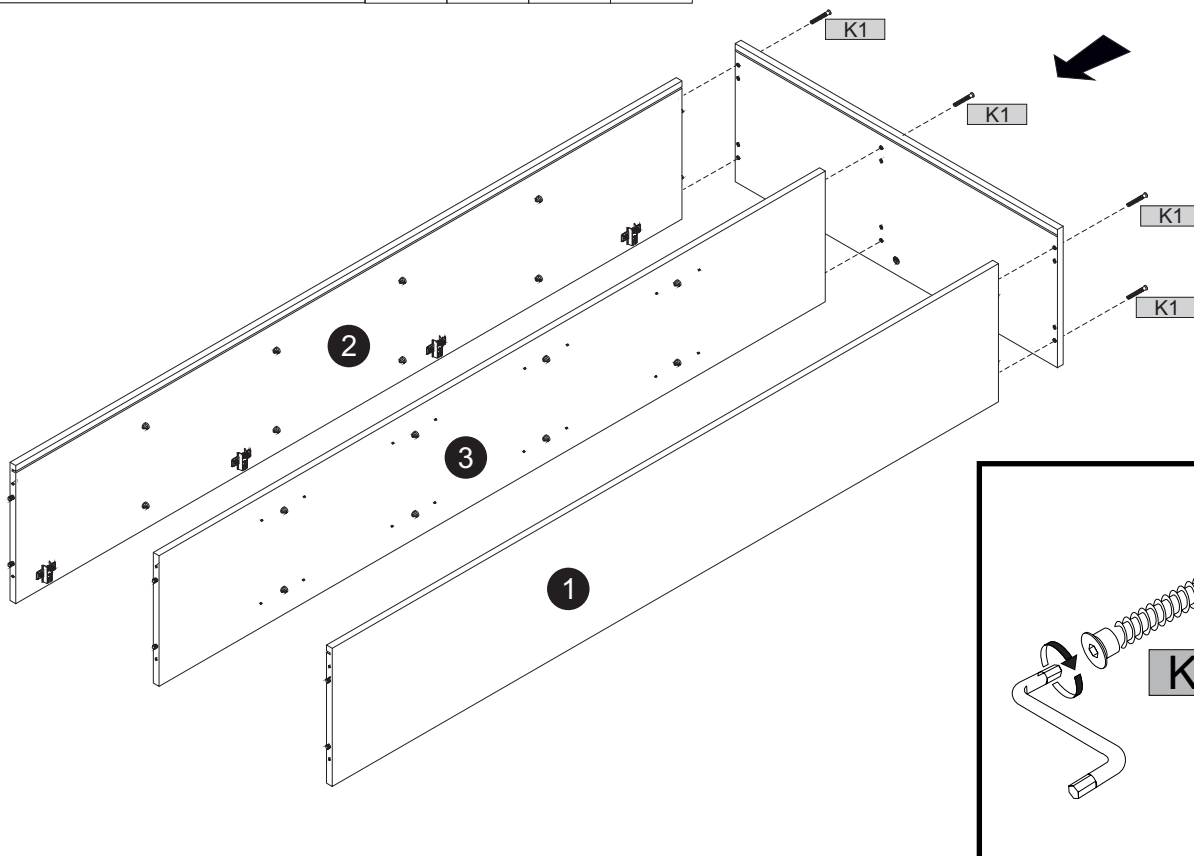
			
	ZM1A	SS3	W6 4x20
	3	5	5



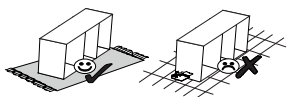
19



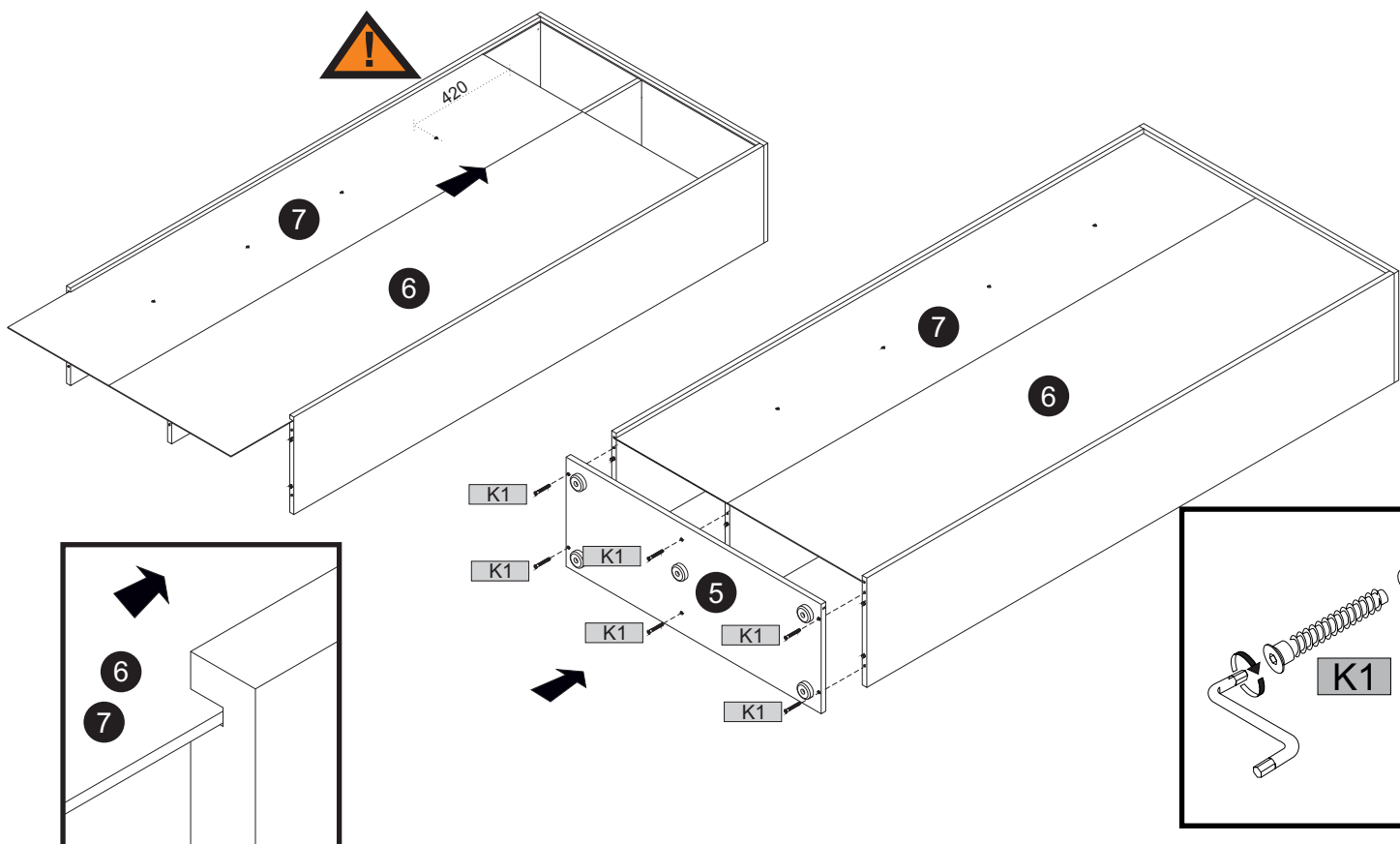
	1		7x50
KK1		K1	6



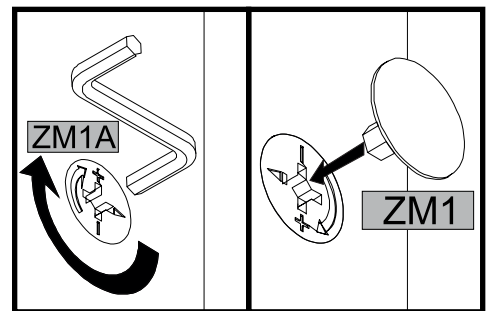
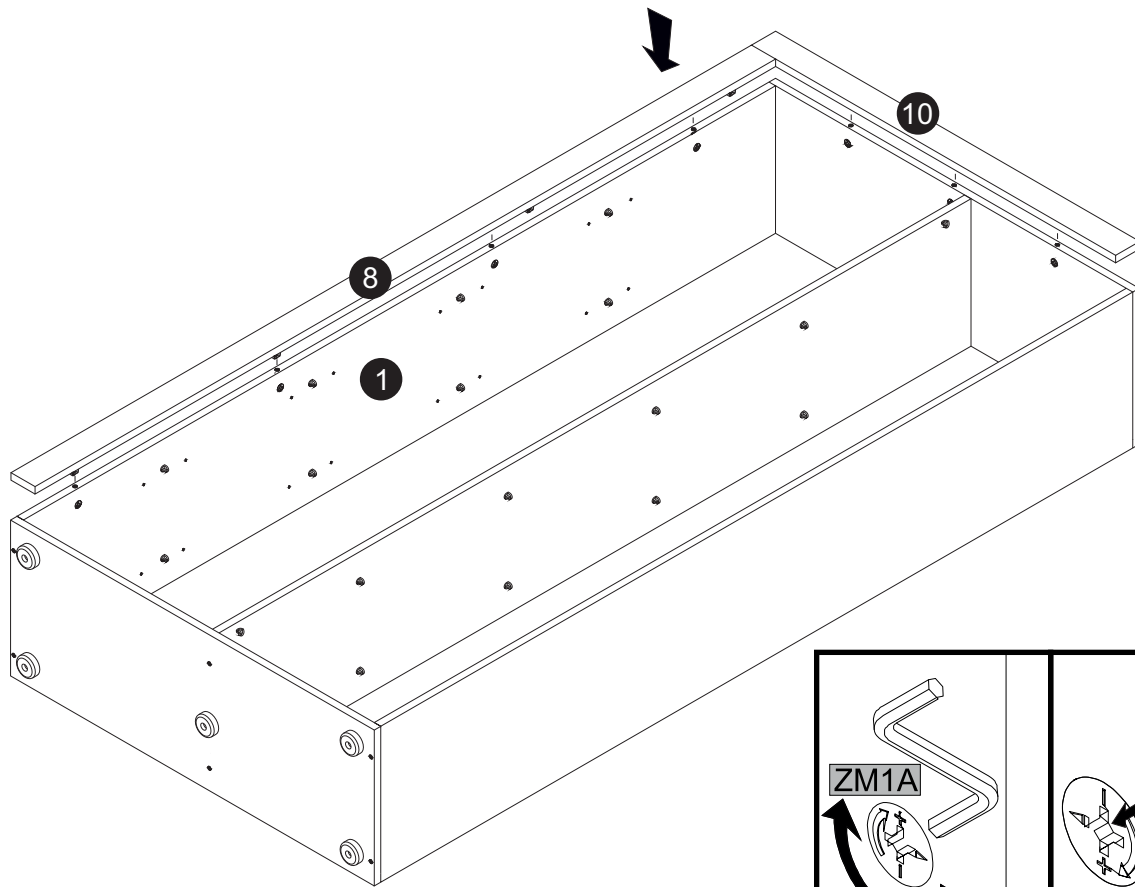
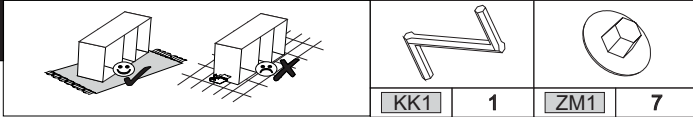
20



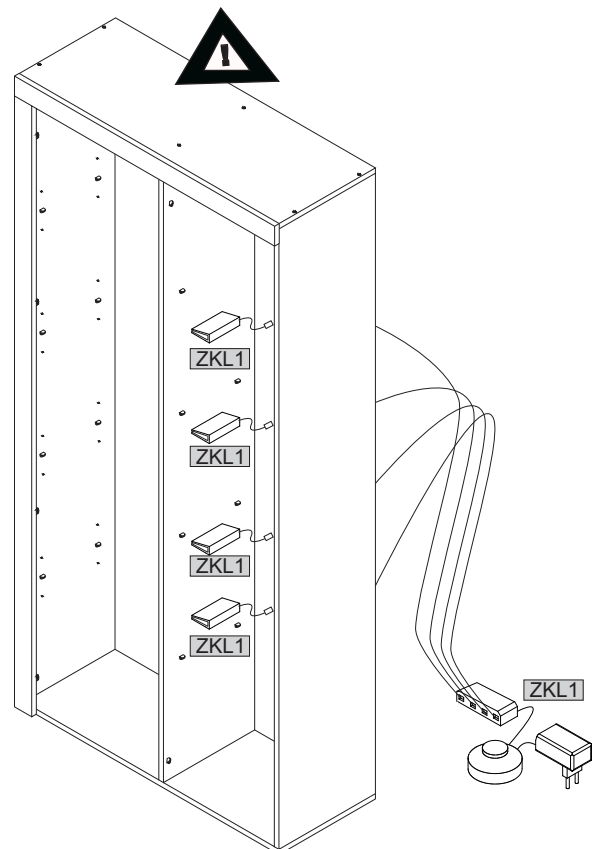
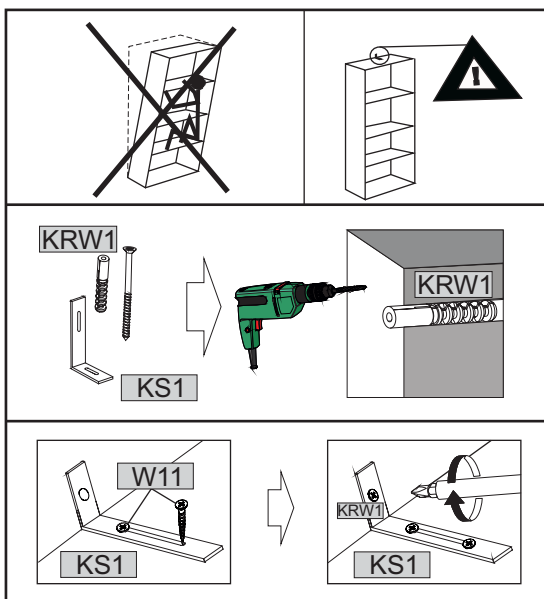
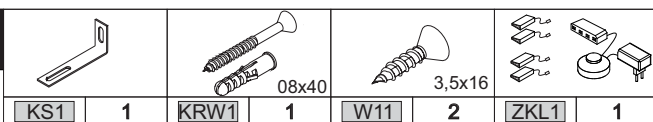
	1		7x50
KK1		K1	6



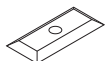
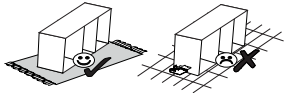
23



24



21



3x16

S1

16

PL1

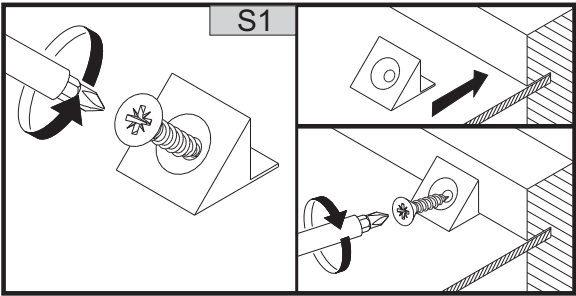
16

W1

16



A=B



S1

S1

S1

S1

S1

S1

S1

S1

S1

S1

S1

S1

S1

S1

S1

S1

S1

S1

S1

S1

S1

S1

S1

S1

S1

S1

S1

S1

S1

S1

S1

S1

S1

S1

S1

A

B

S1

S1

S1

S1

S1

S1

S1

S1

S1

S1

S1

S1

S1

S1

S1

S1

S1

S1

S1

S1

S1

S1

S1

S1

S1

S1

S1

S1

S1

PL1

PL1

PL1

PL1

PL1

PL1

PL1

PL1

PL1

PL1

PL1

PL1

PL1

PL1

PL1

PL1

PL1

PL1

PL1

PL1

PL1

PL1

PL1

PL1

PL1

PL1

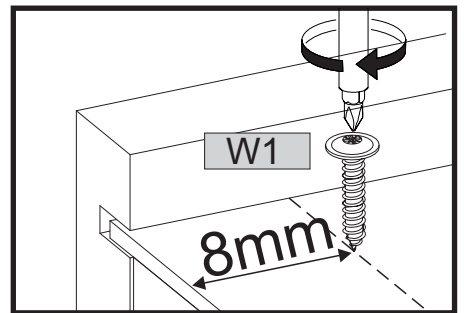
PL1

PL1

PL1

PL1

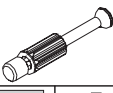
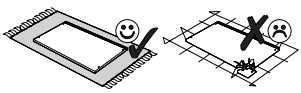
PL1



W1

8mm

22



8x60

ZM1B

7

ZMP

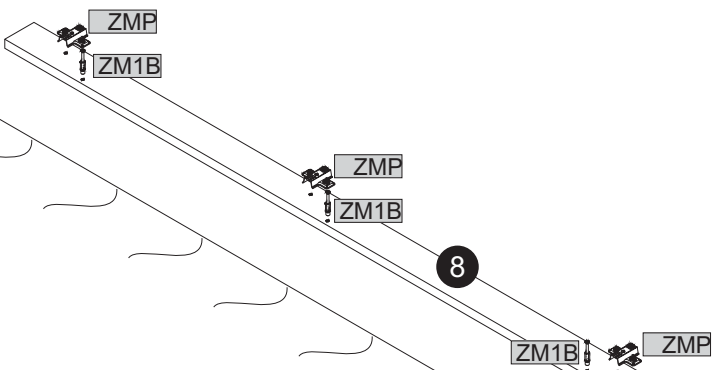
4

KD2

2

KSK1

1



ZMP

ZM1B

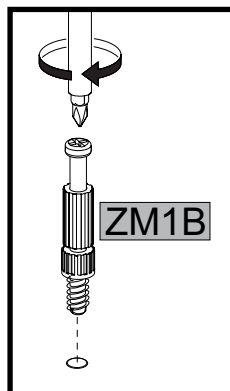
ZMP

ZM1B

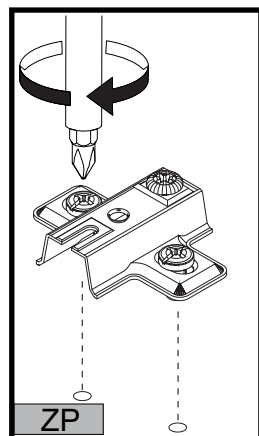
8

ZM1B

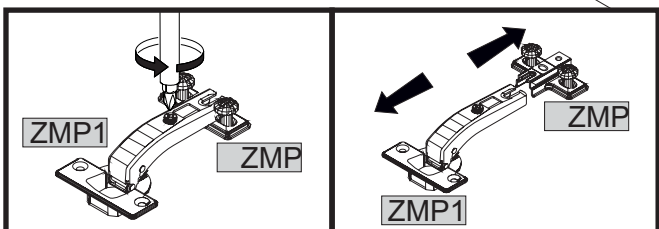
ZMP



ZM1B



ZP



ZMP1

ZMP

ZMP1

ZMP1

ZM1B

ZMP

KSK1

ZM1B

10

KD2

25

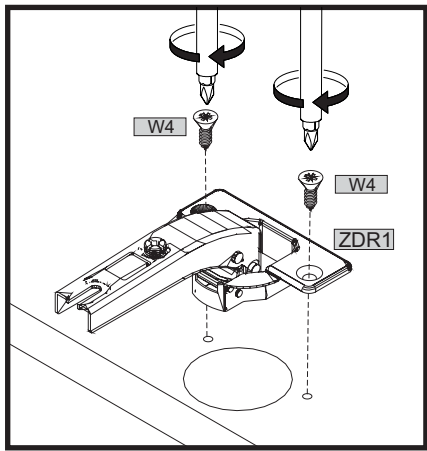
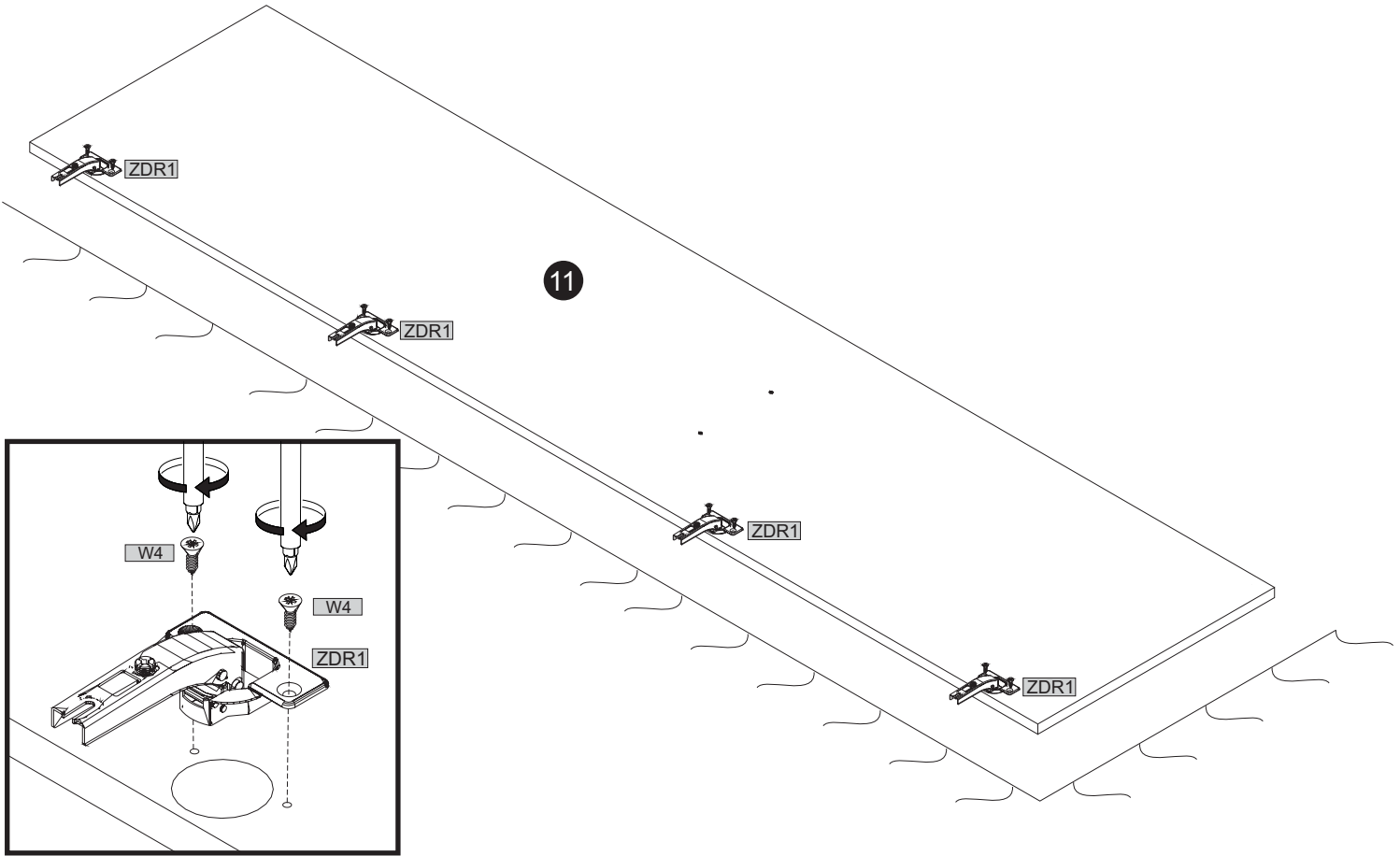


ZDR1 4

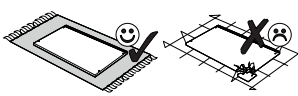


W4 8

4x13



26



ZMP1 4



W4 8

4x13

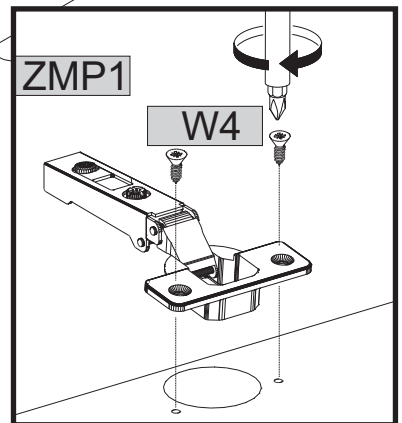
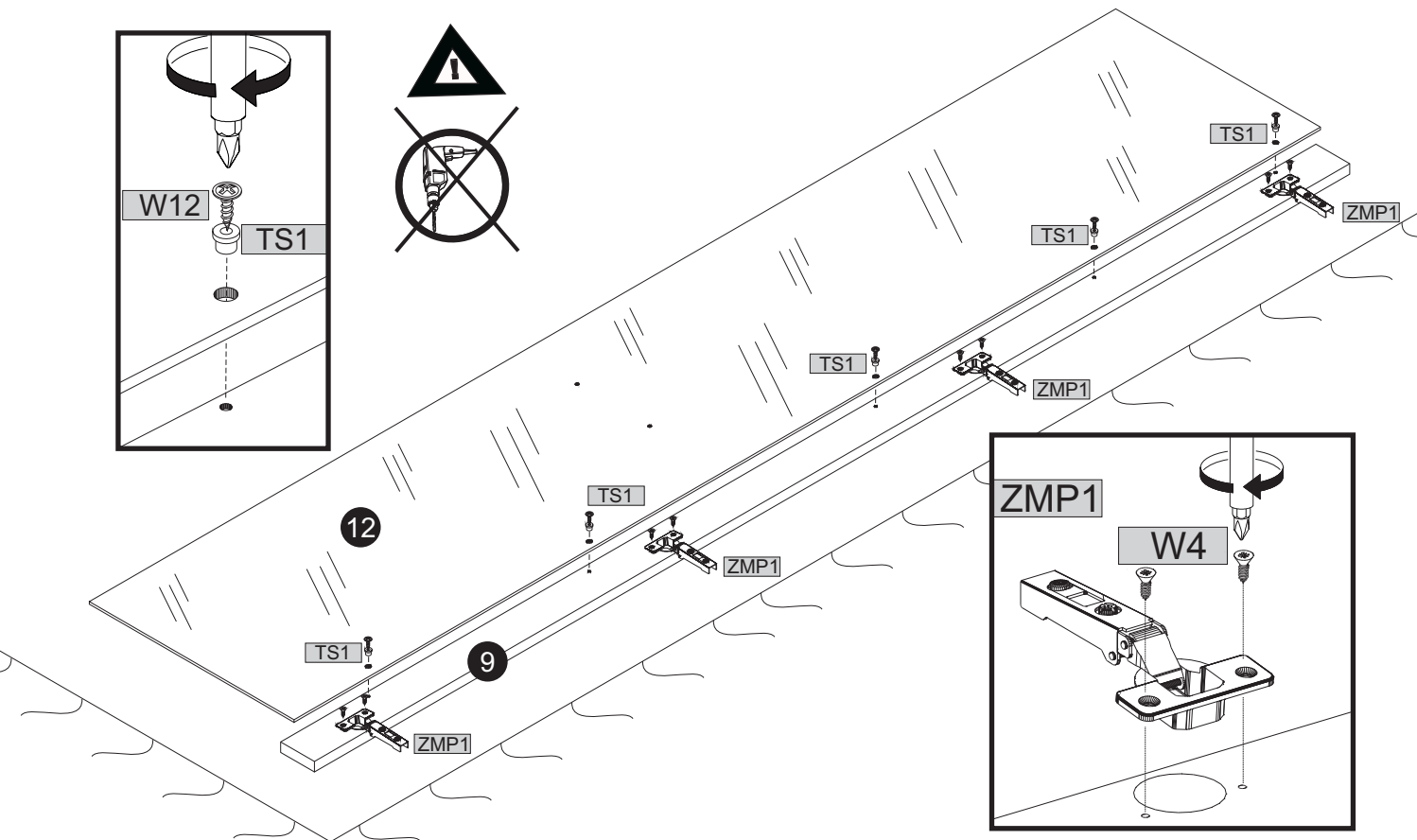
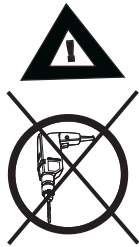
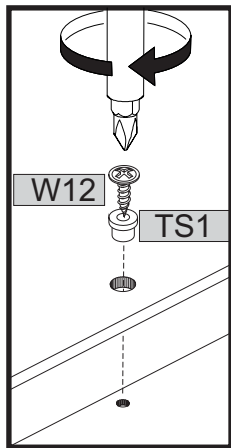


TS1 5

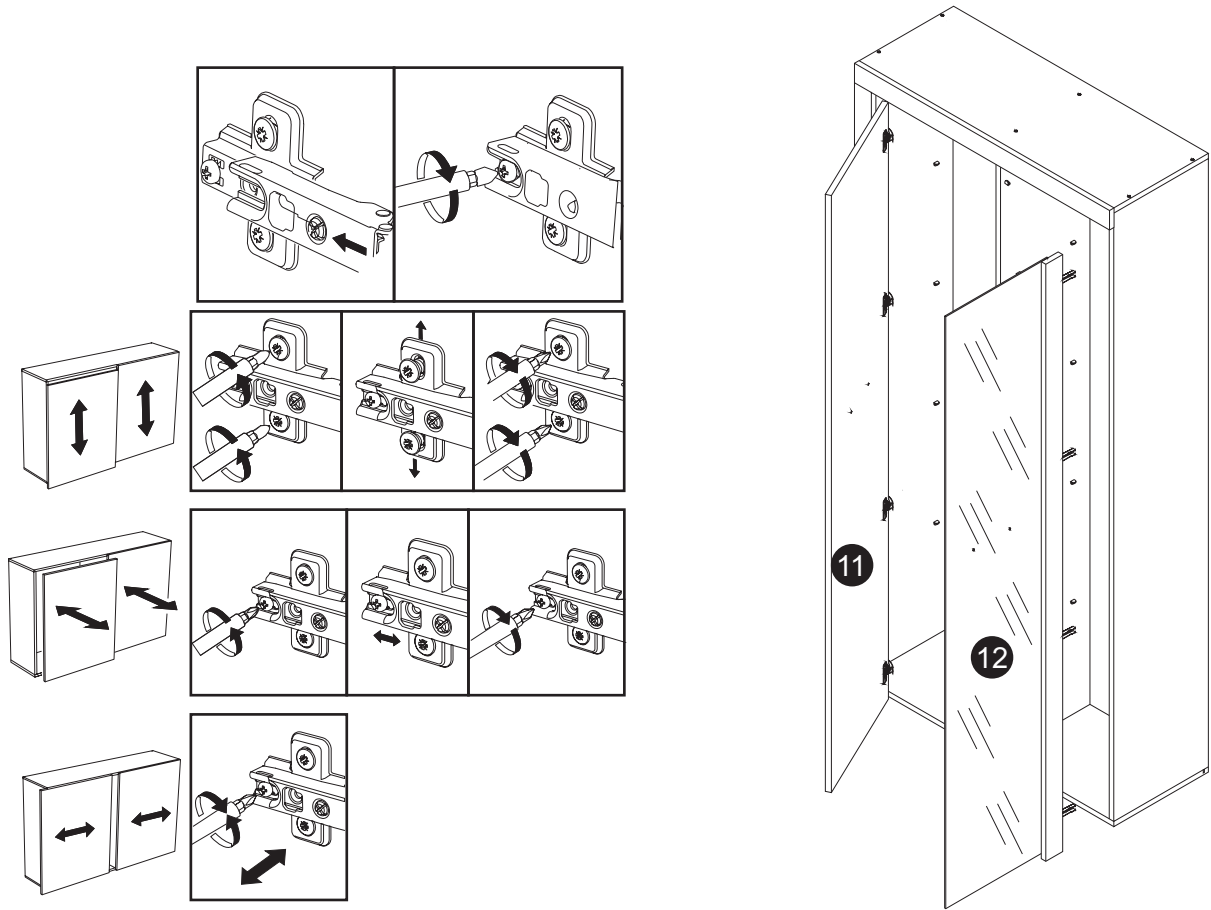


W12 5

4x16

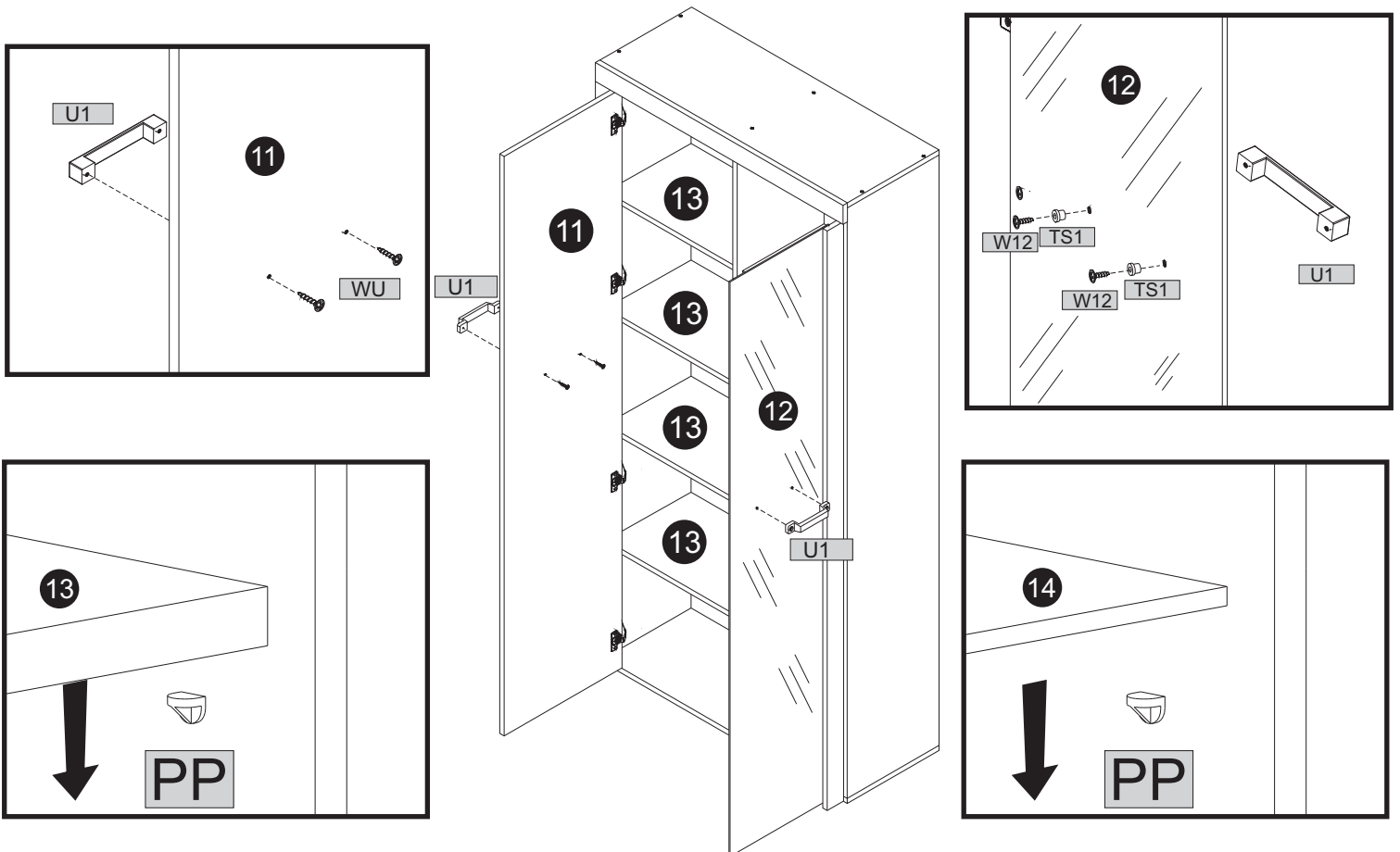


27

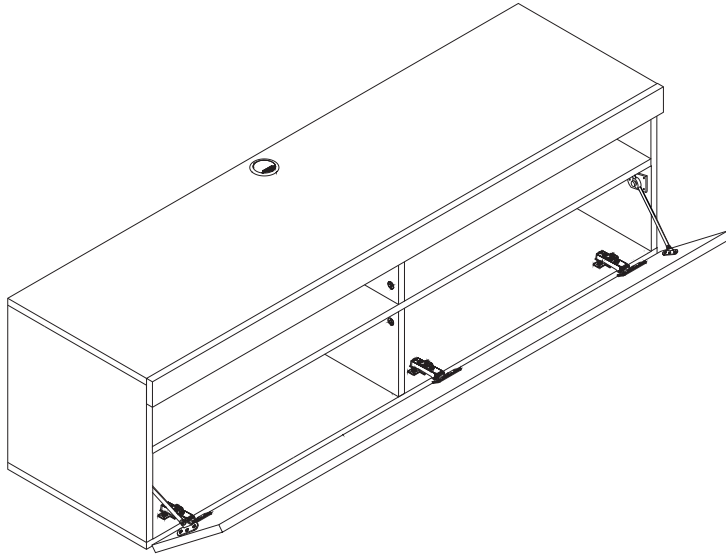


28

U1	2	WU	2
		TS1	2
			W12
			2

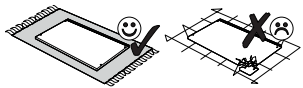


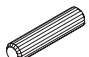
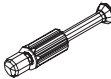

29

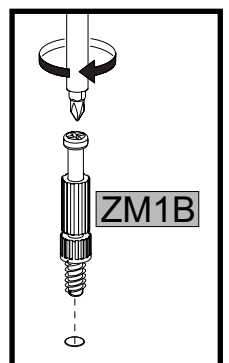
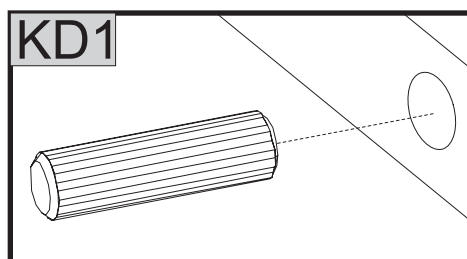
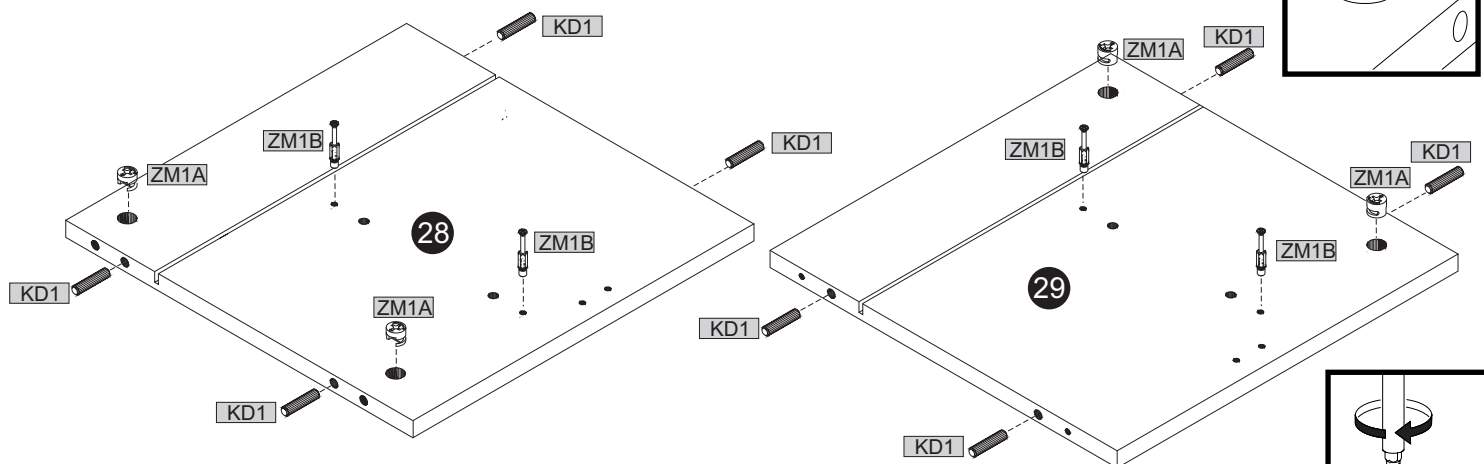
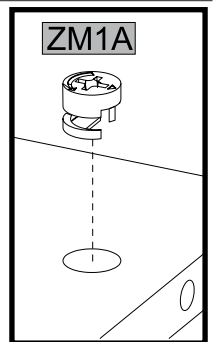


5/5				
	B	H	T	
28	375	368	16	x1
29	375	368	16	x1
30	1347	334	16	x1
31	1380	375	16	x1
32	1380	375	16	x1
33	275	152	16	x1
34	275	200	16	x1
35	1363	222	3	x1
36	1381	60	16	x1
37	1375	228	16	x1

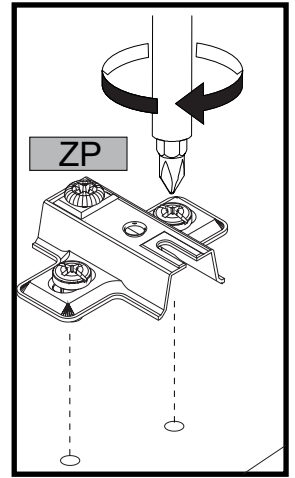
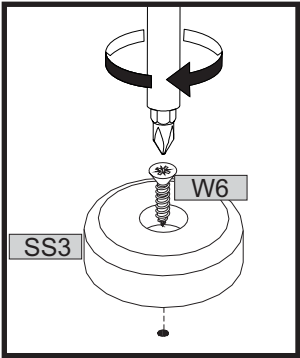
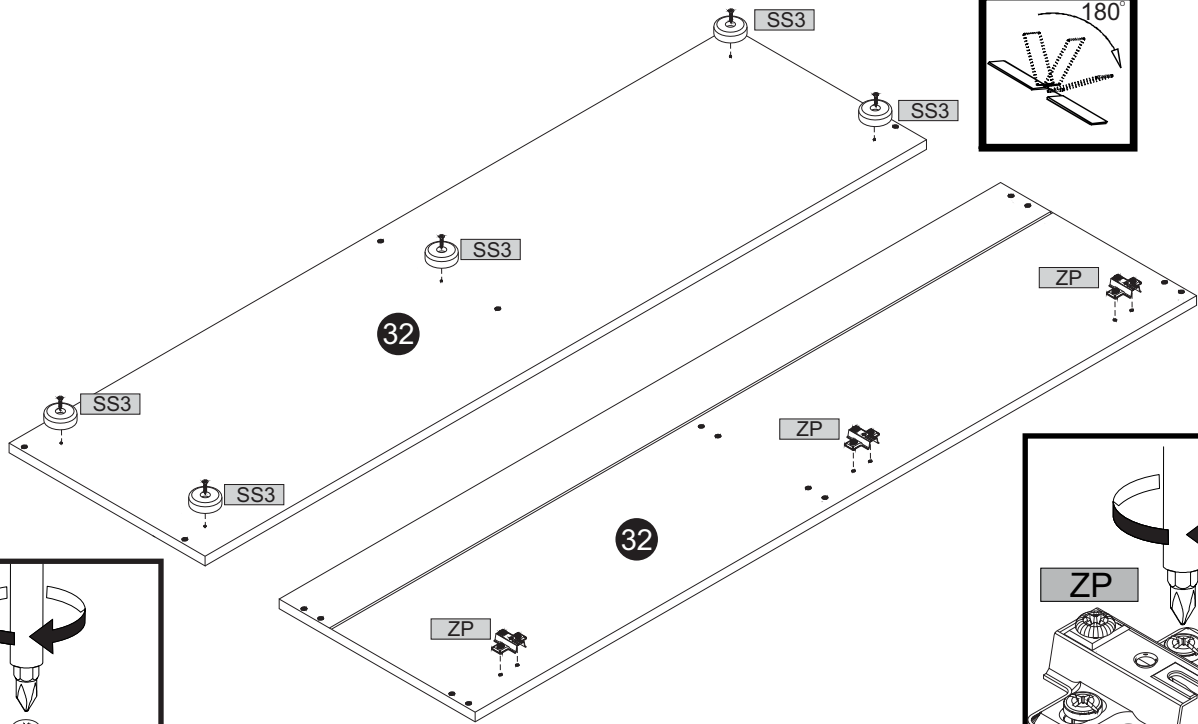
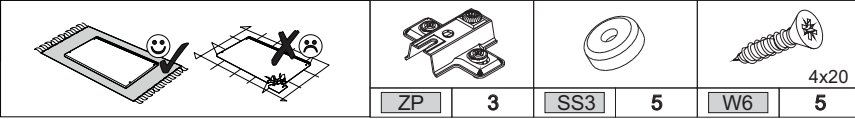
30



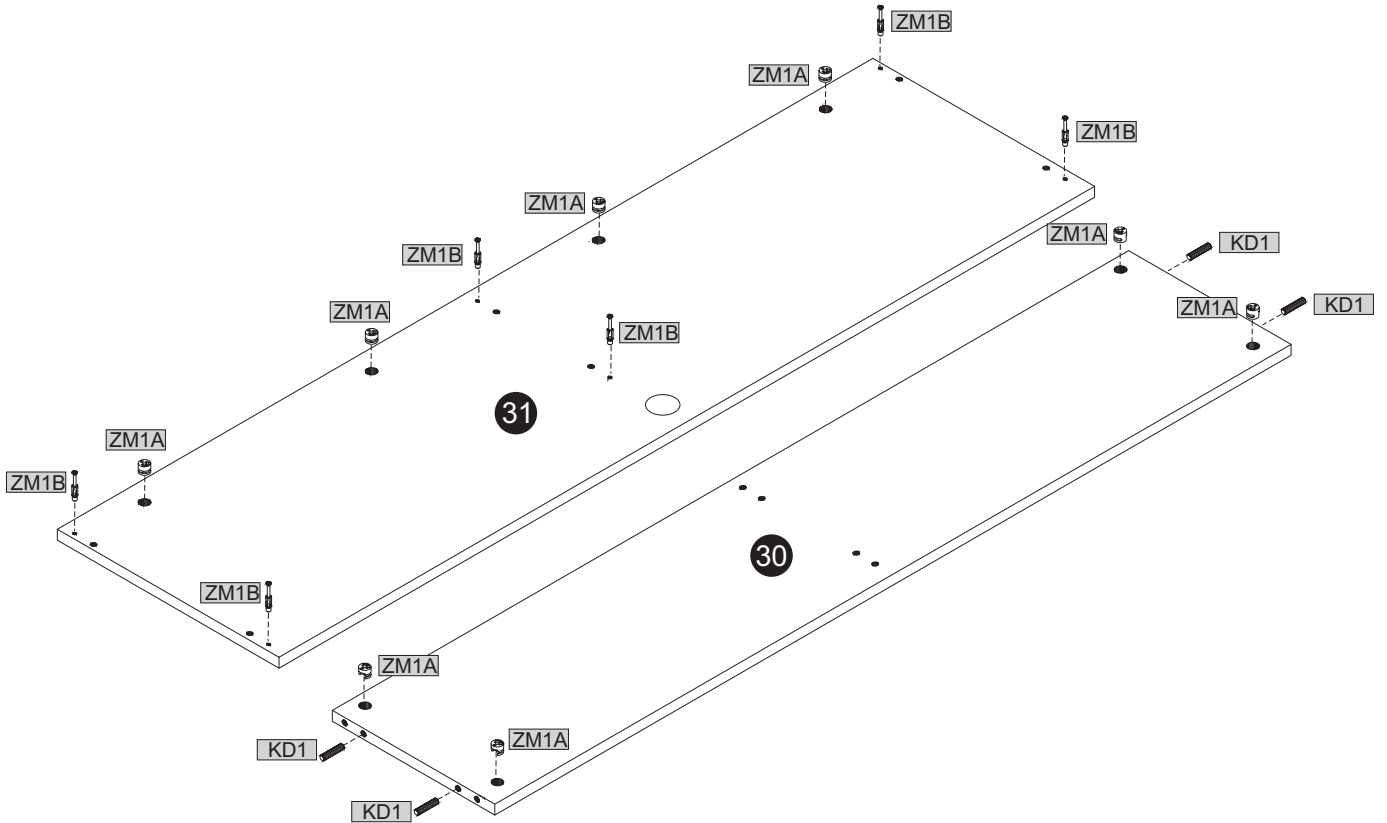
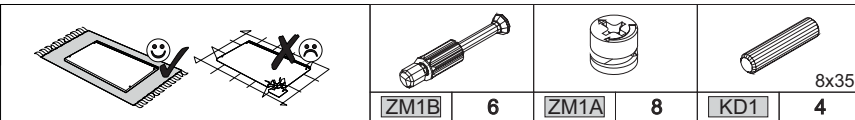
	8x35		4		4
KD1	8	ZM1B	4	ZM1A	4



31



32



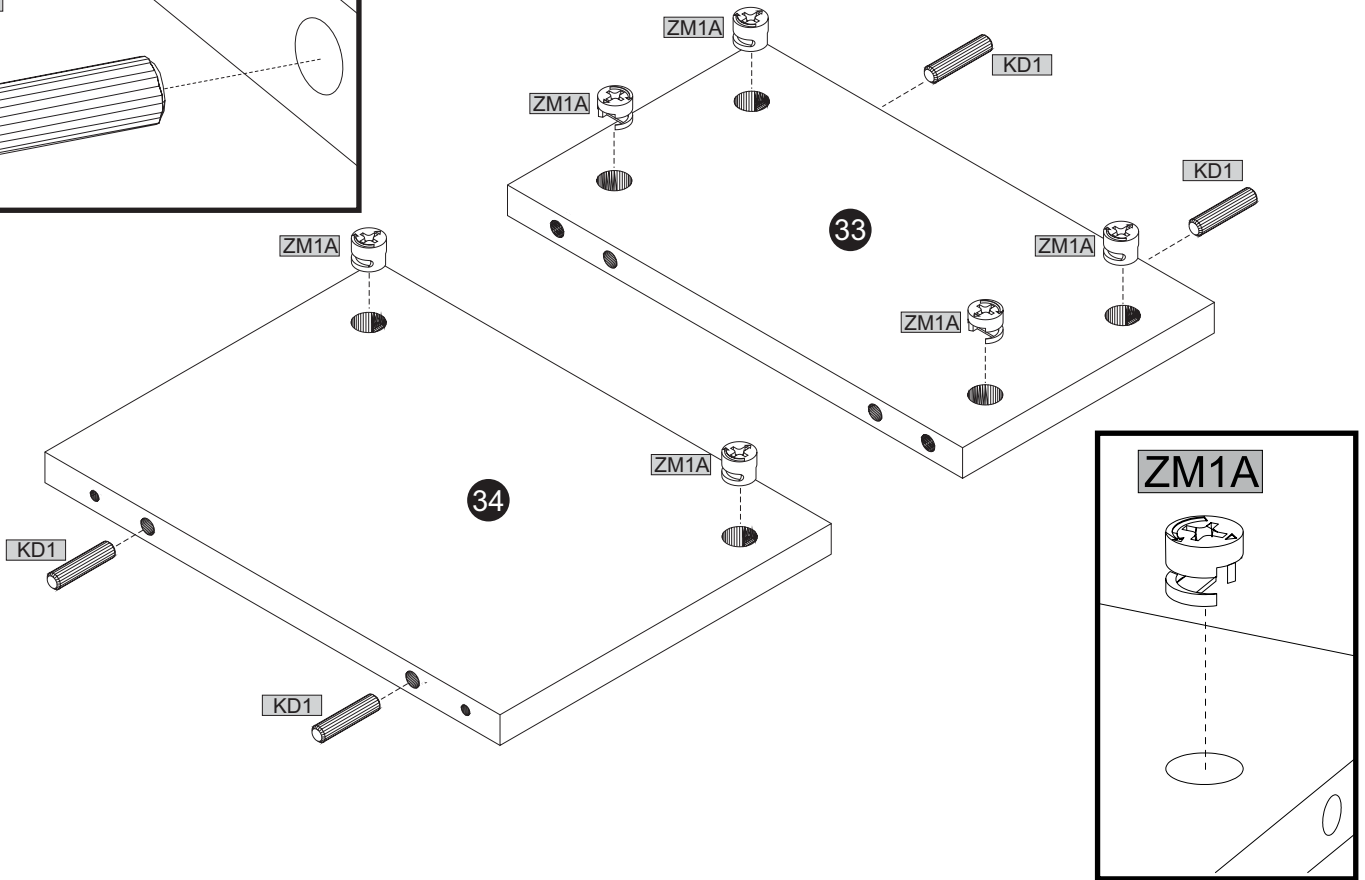
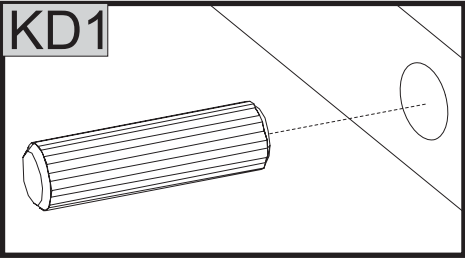
33



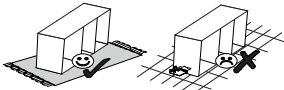
ZM1A	6
KD1	4

8x35

KD1



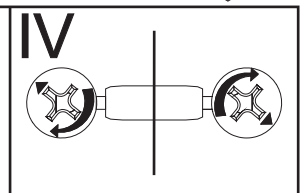
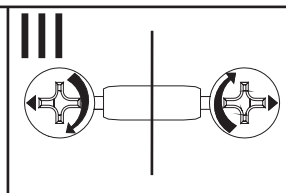
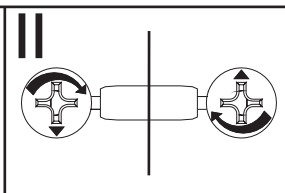
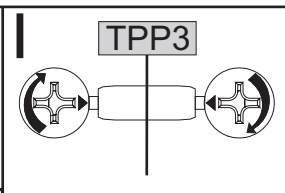
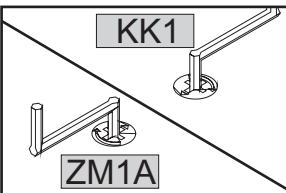
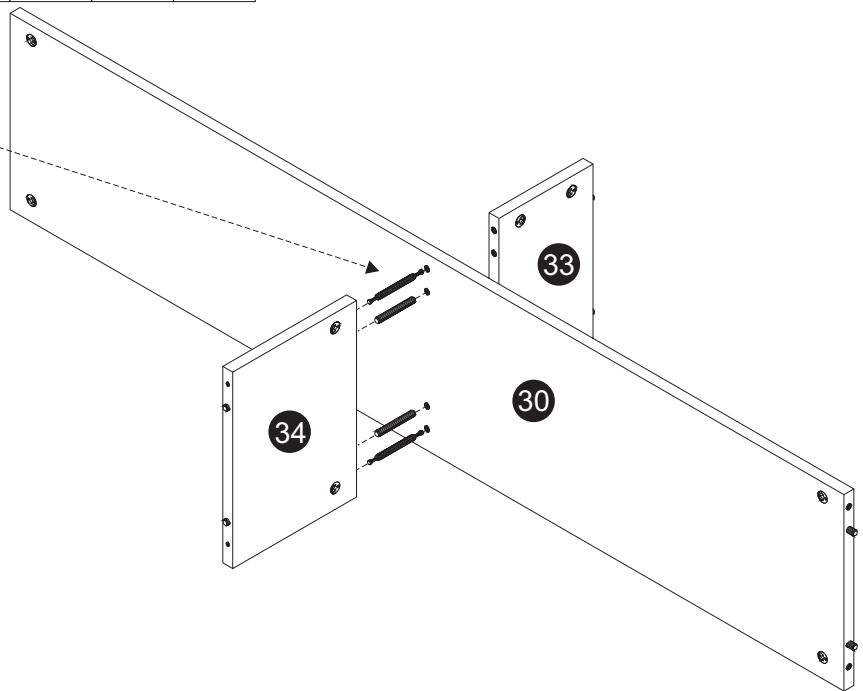
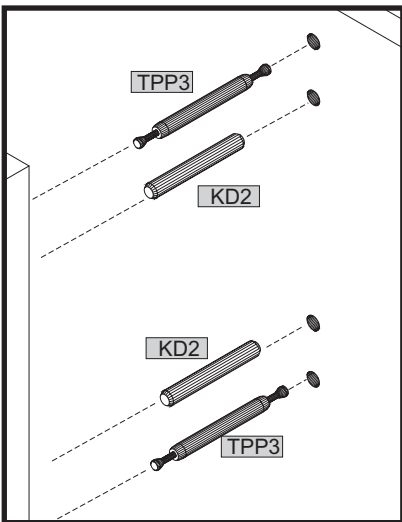
34



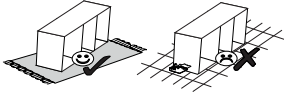
TPP3	2
KD2	2

L=86

8x60



37



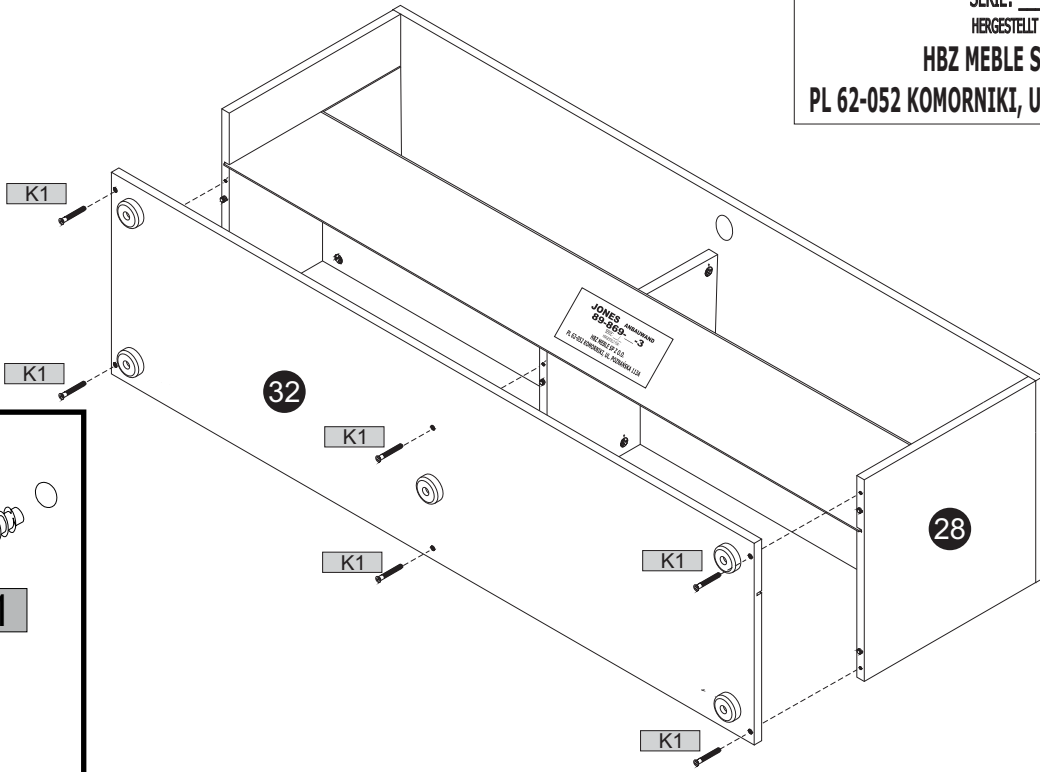
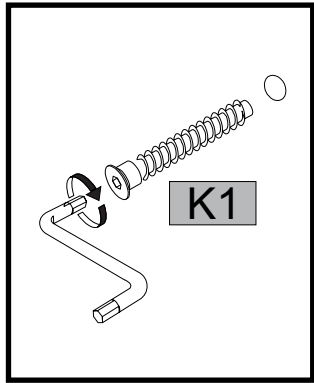
	1		6
KK1		K1	

JONES ANBAUWAND
89-869-__-3

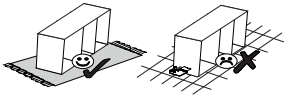
SERIE:
 HERGESTELLT FÜR:

HBZ MEBLE SP Z O.O.

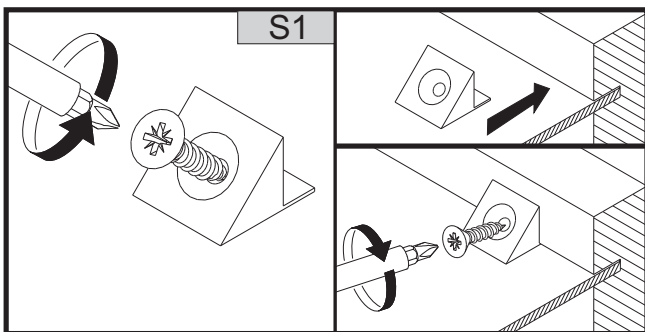
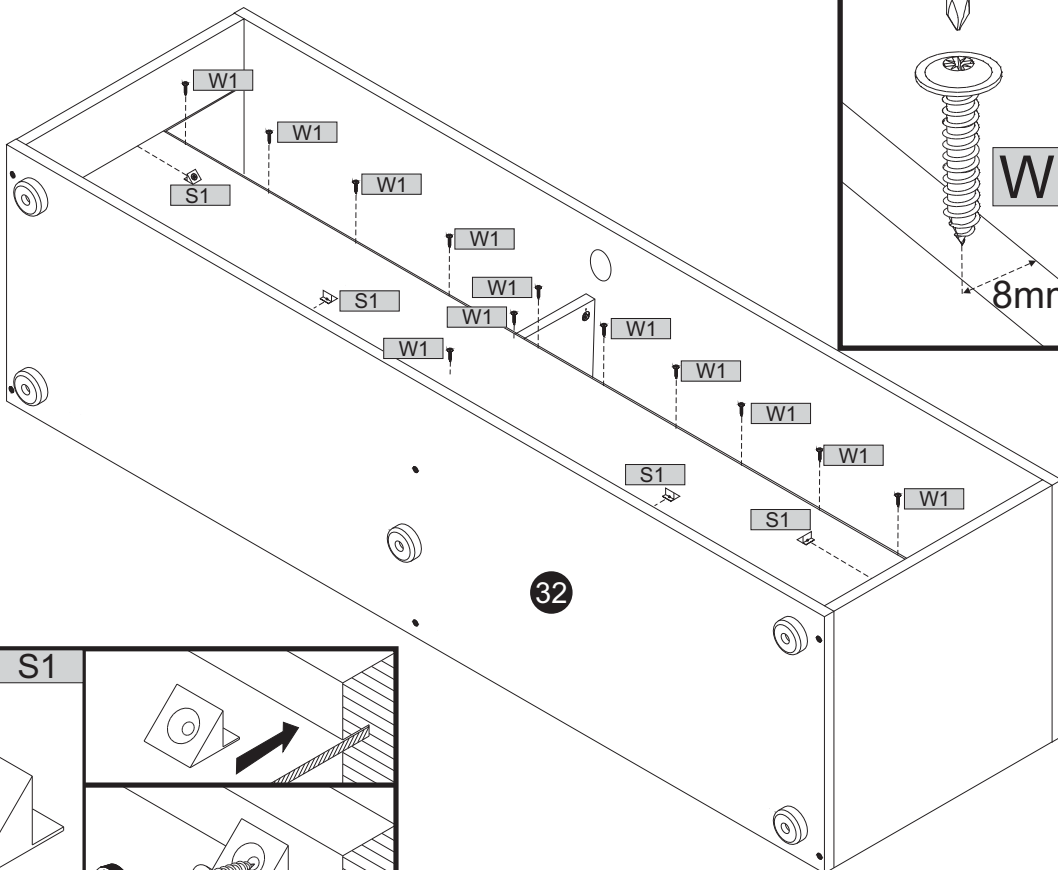
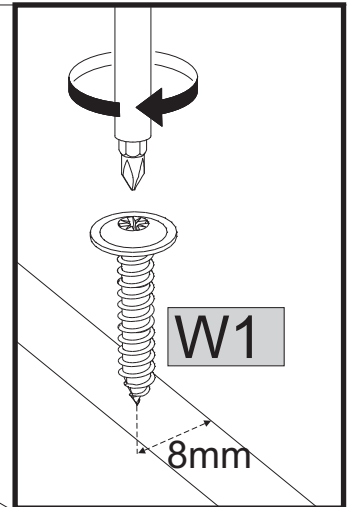
PL 62-052 KOMORNIKI, UL. POZNAŃSKA 113A



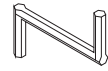
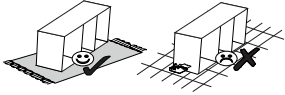
38



	4		12
S1		W1	



35

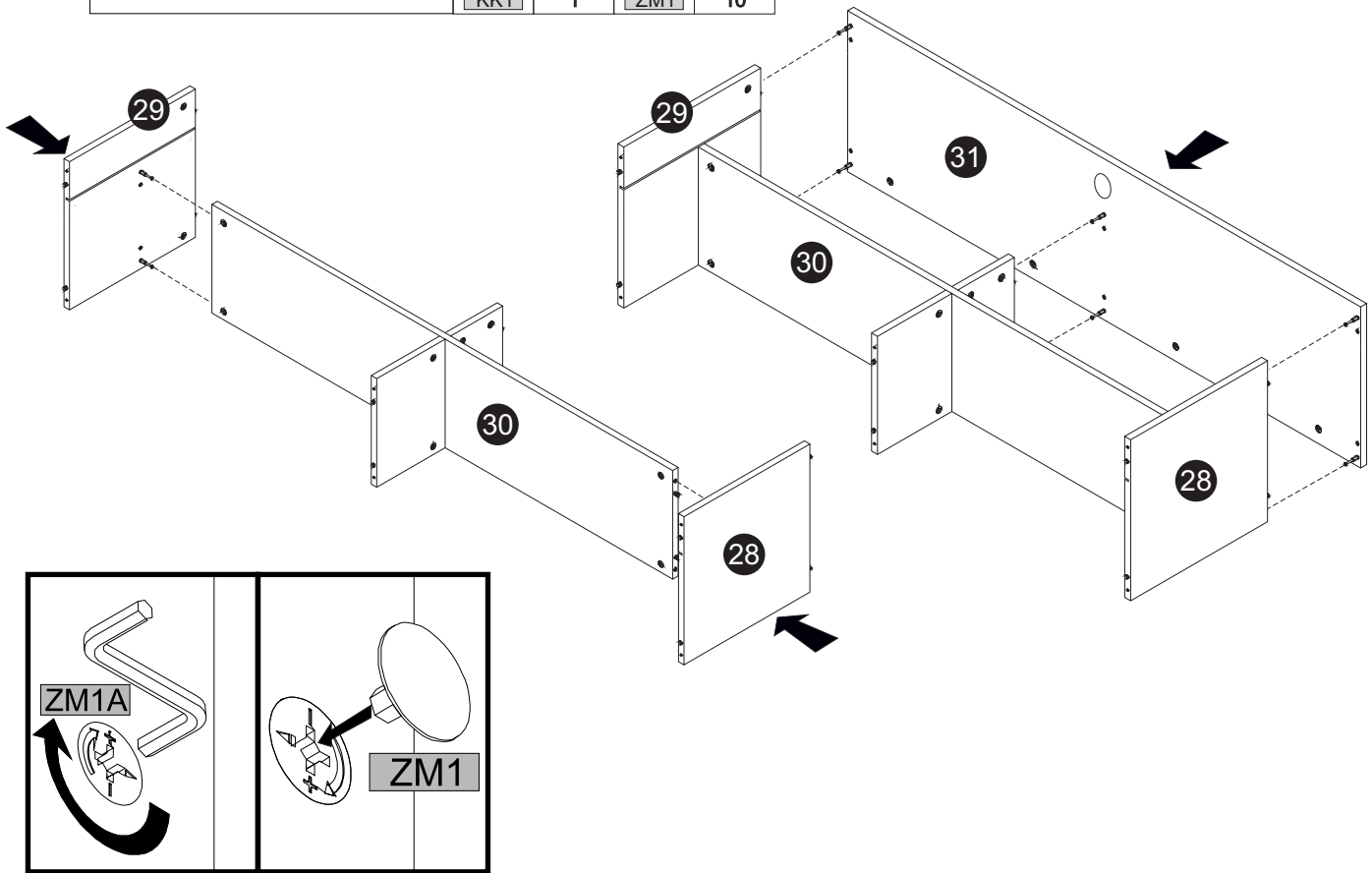


KK1

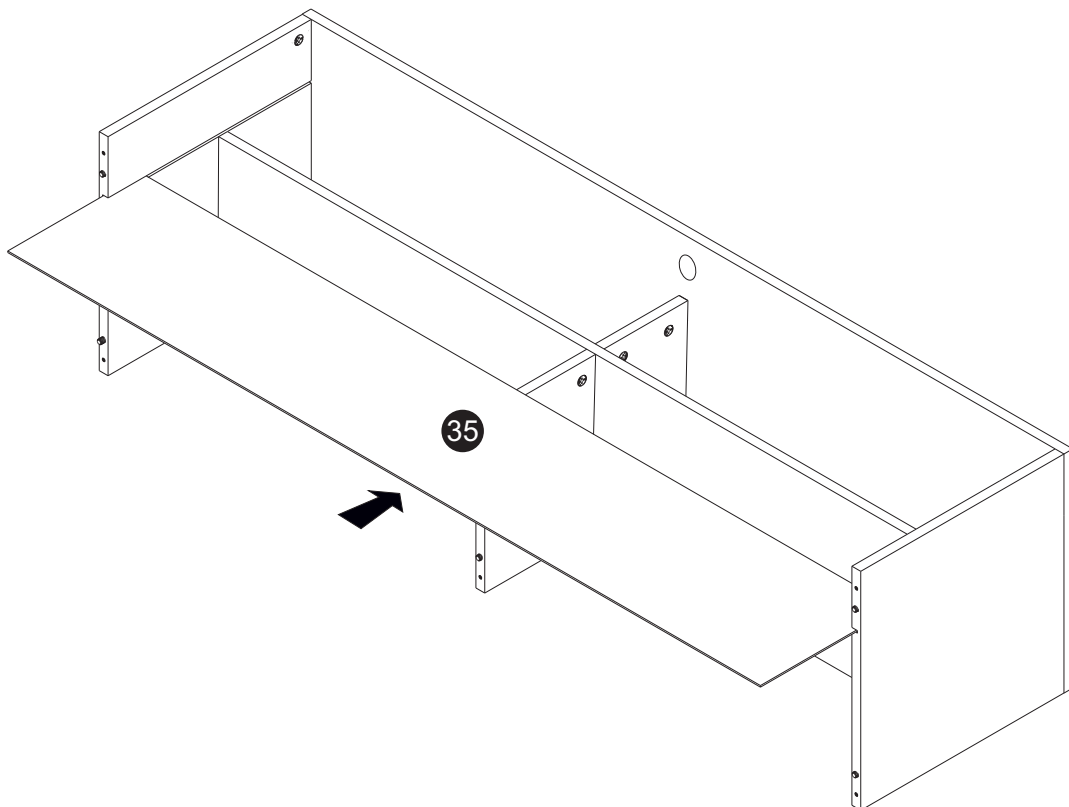
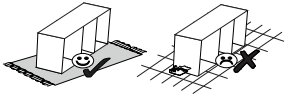
1

ZM1

10

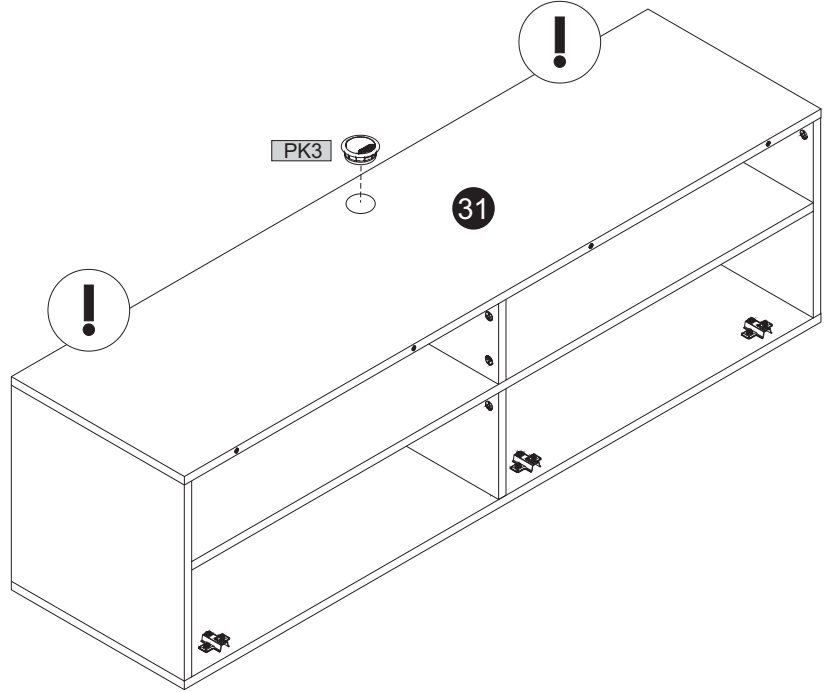
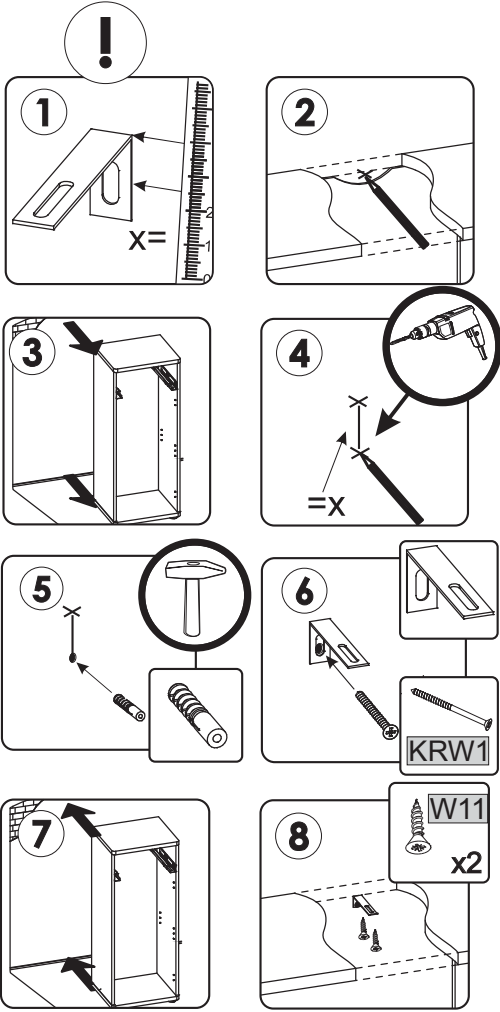


36

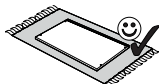
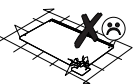
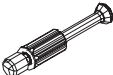
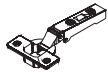



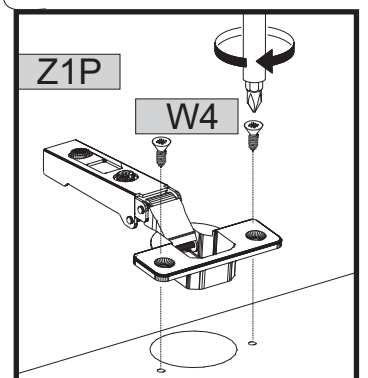
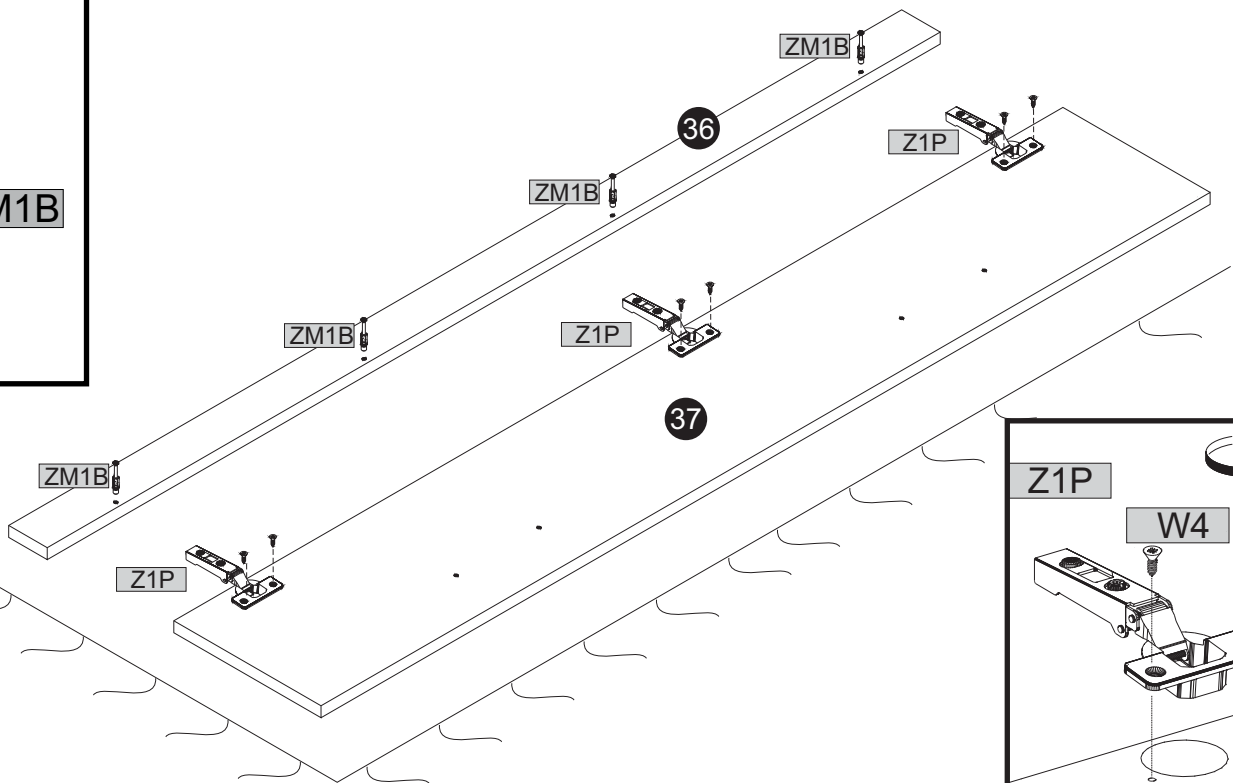
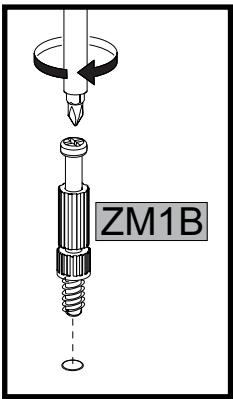
39

	2		08x40	2		3,5x16	4		1
---	---	---	-------	---	---	--------	---	---	---

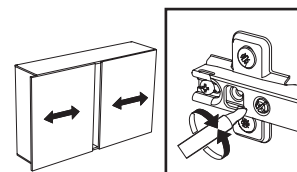
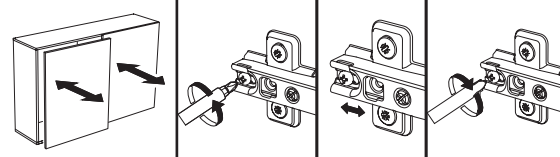
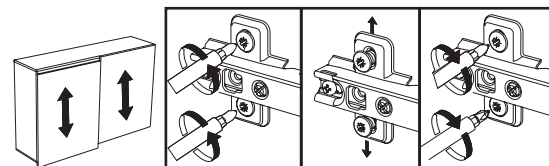
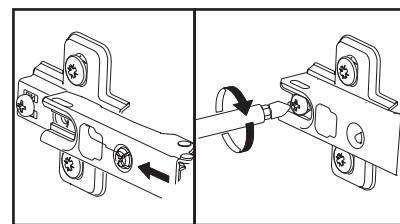
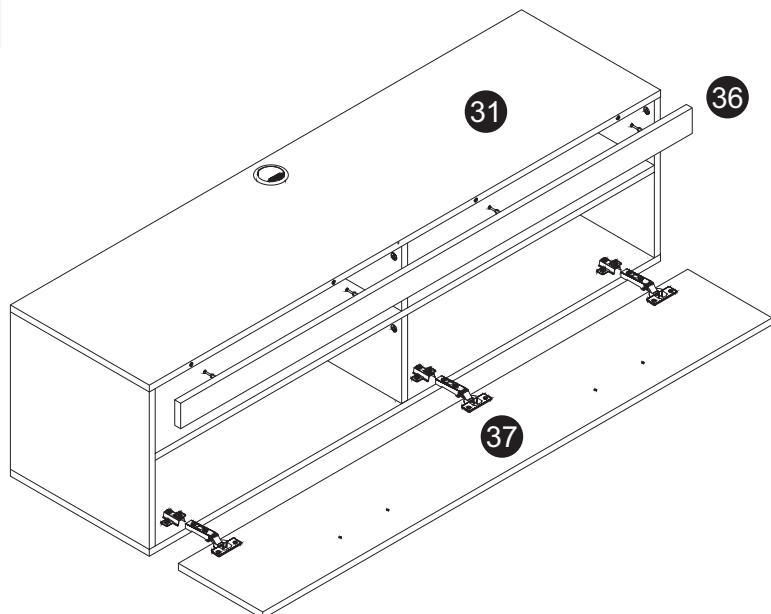


40

			4		3		4x13	6
---	---	---	---	---	---	---	------	---

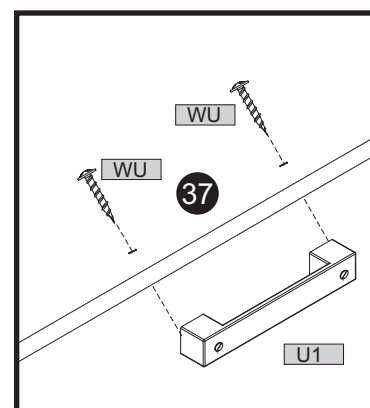
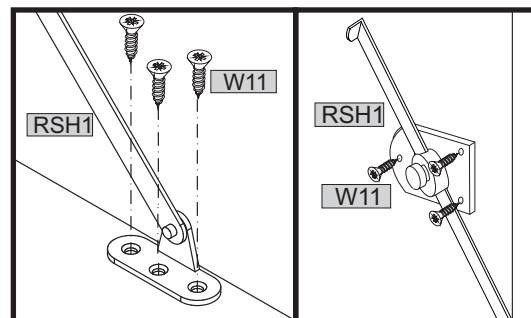
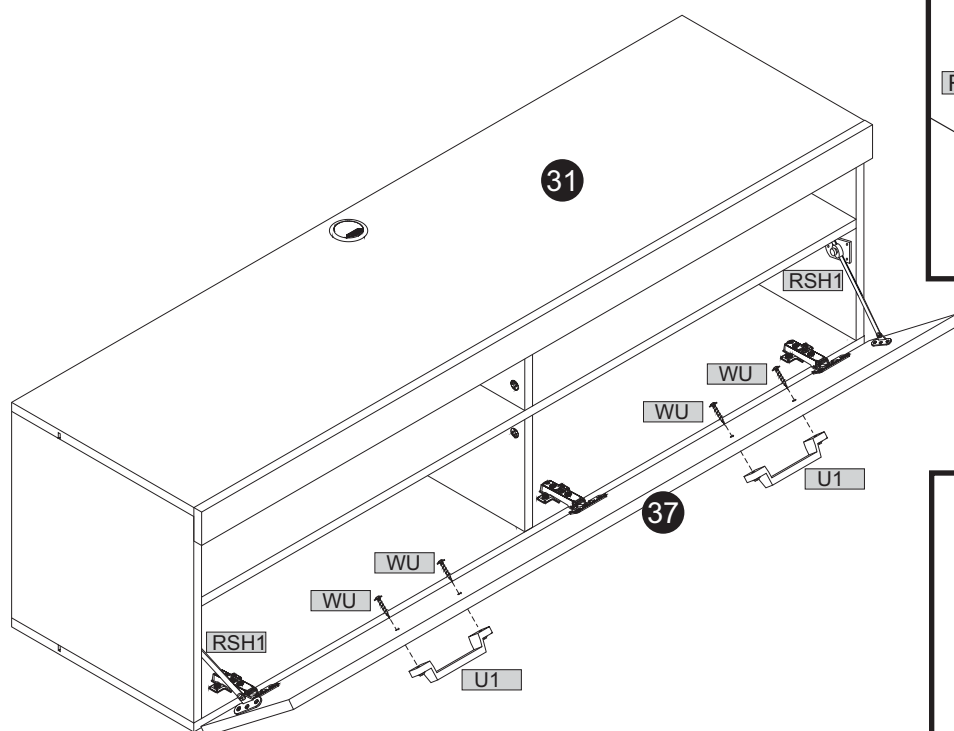


41

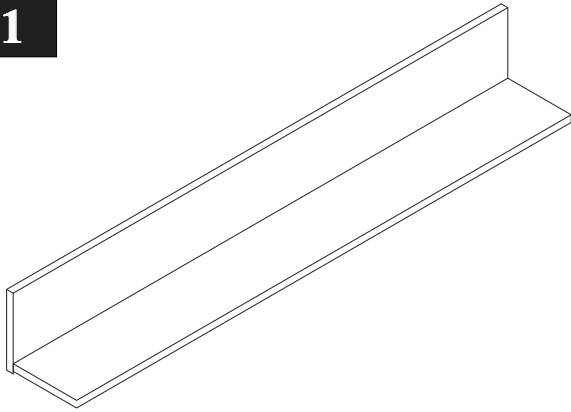


42

	2		4		2
U1		WU		RSH1	

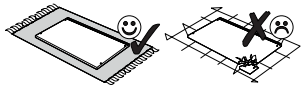


41

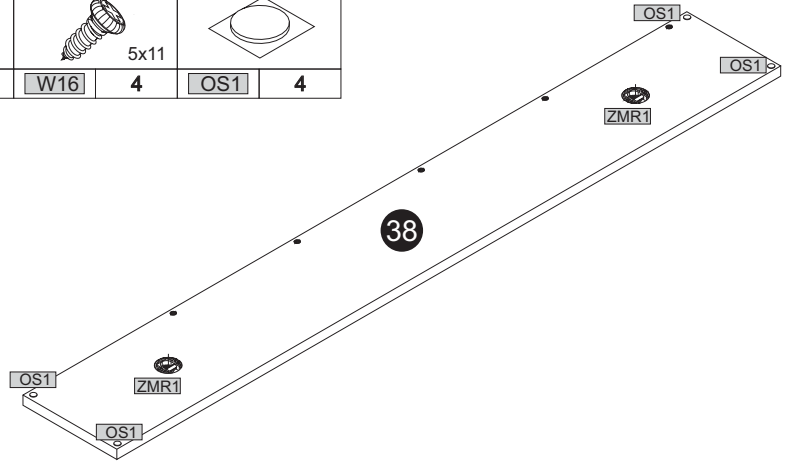
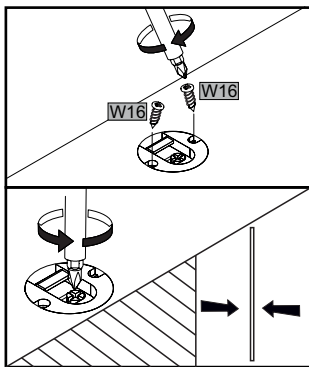
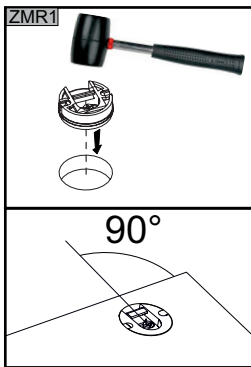


5/5				
	B	H	T	
38	1200	170	16	x1
39	1200	154	16	x1

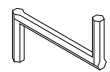
42



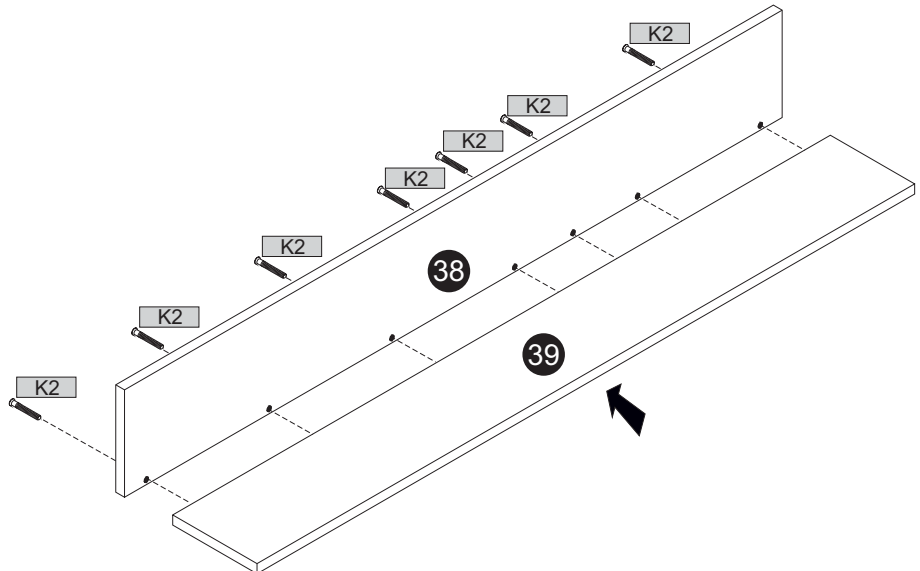
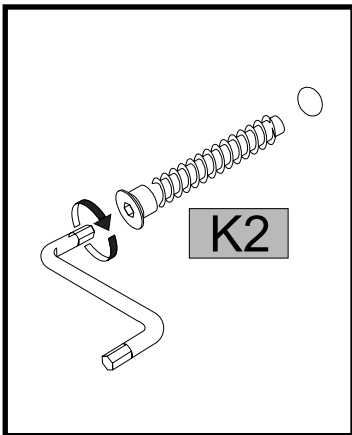
ZMR1	2	W16	4	OS1	4
------	---	-----	---	-----	---



43



KK1	1	K2	7
-----	---	----	---



44



KRW2	1	KRL1	2
------	---	------	---



100cm

