

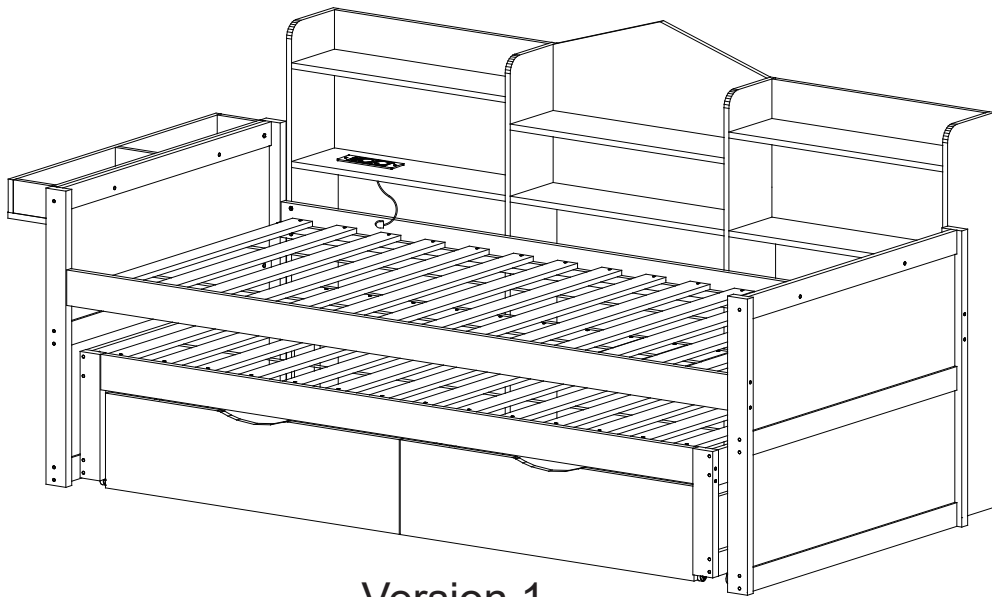
# MONTAGEINSTRUKTIONEN

## Schlafsofa aus Holz

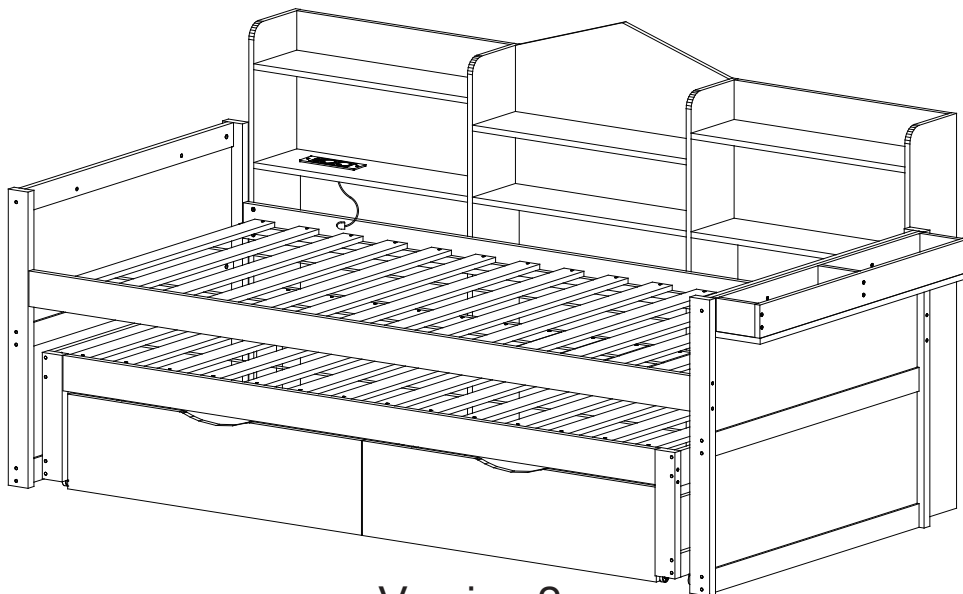
N623P178234

N623P178236

N623P178240

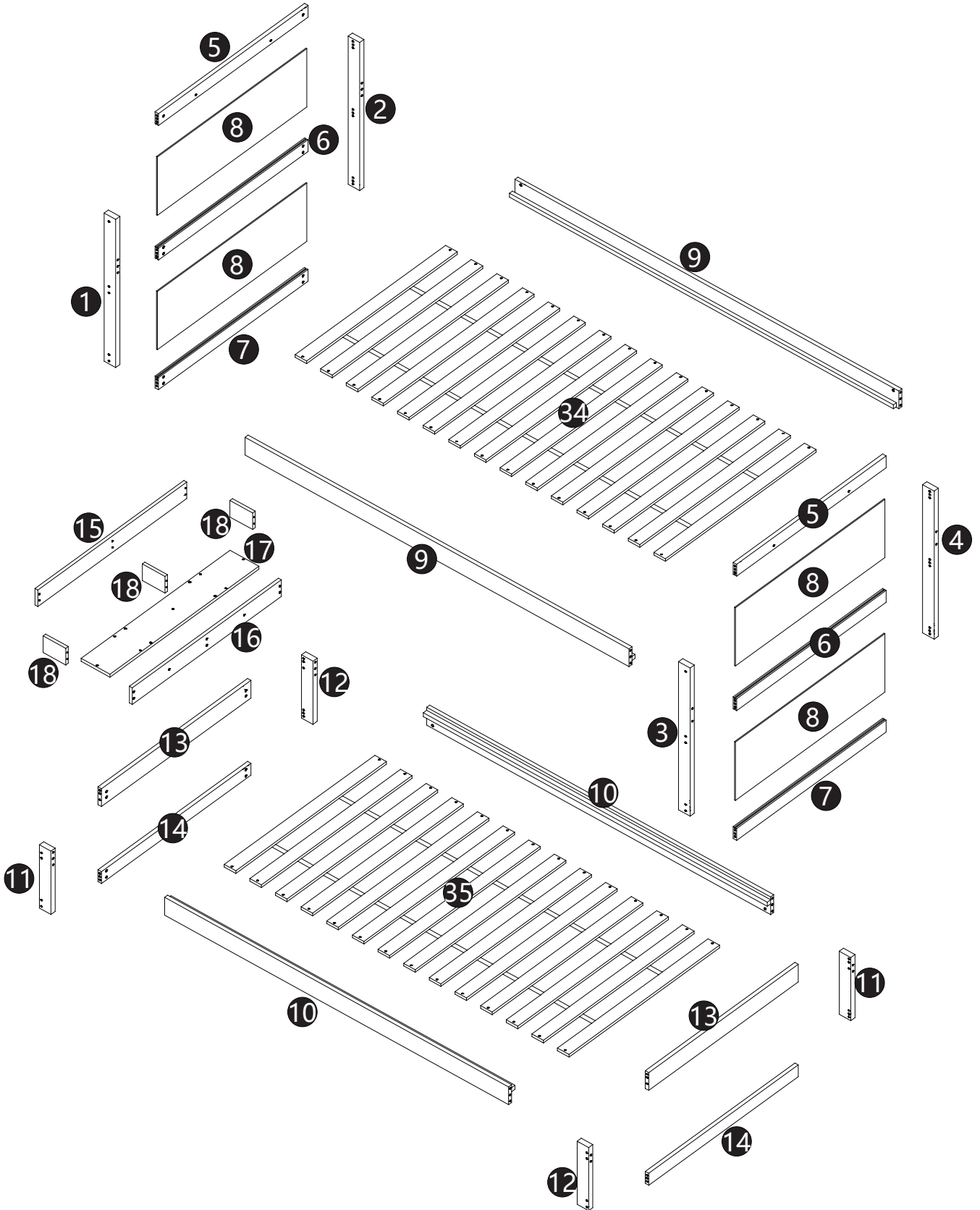


Version 1

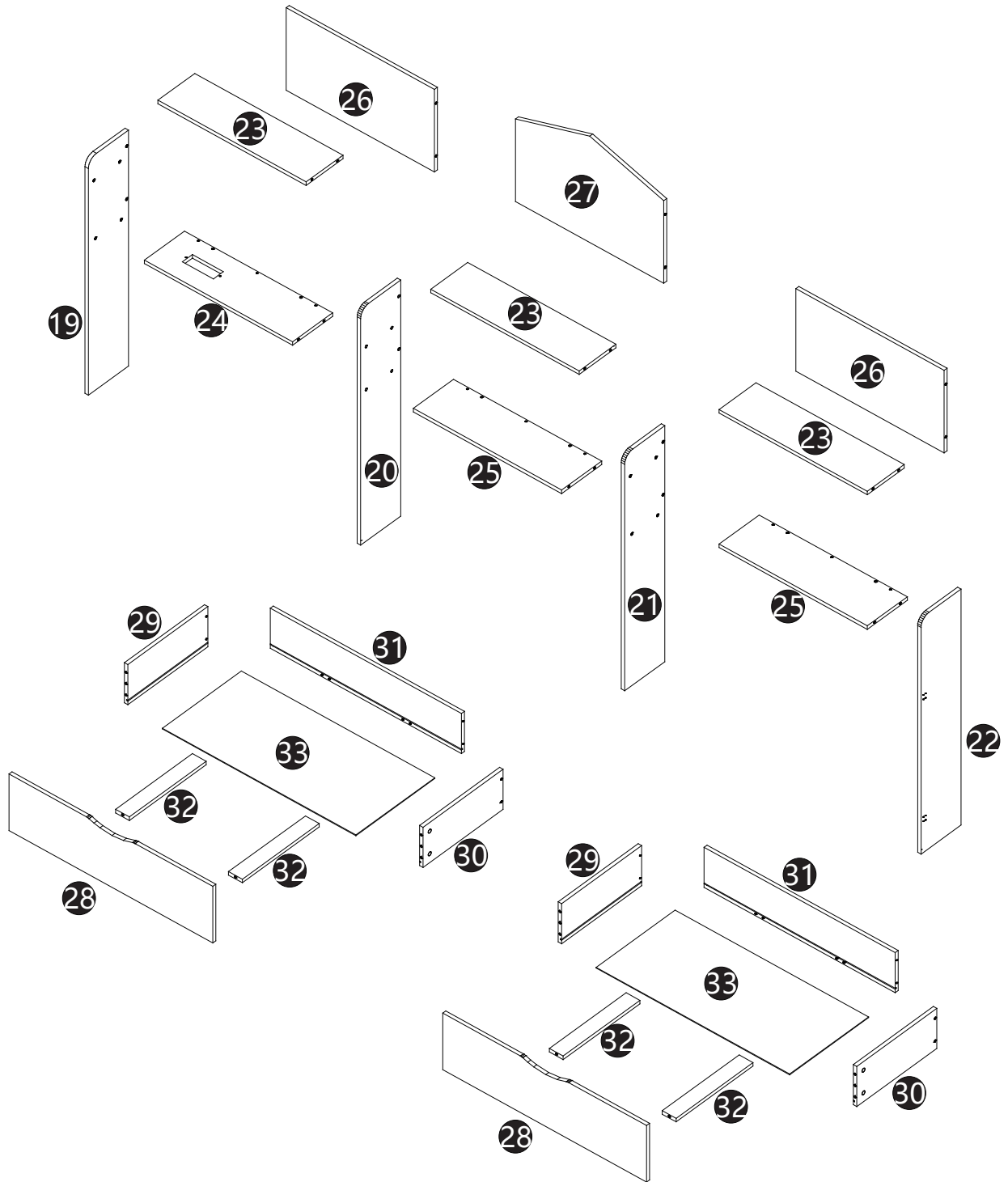


Version 2

# Detailansicht

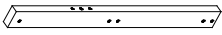


# Detailansicht

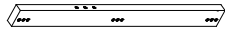


# N623P178234

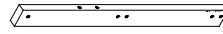
① x 1



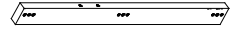
② x 1



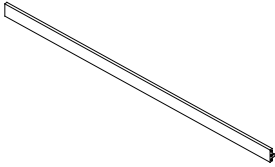
③ x 1



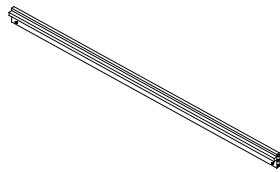
④ x 1



⑨ x 2



⑩ x 2



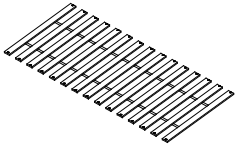
⑪ x 2



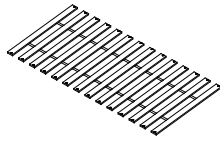
⑫ x 2



③④ x 1

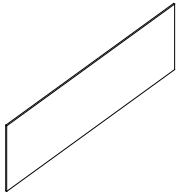


③⑤ x 1

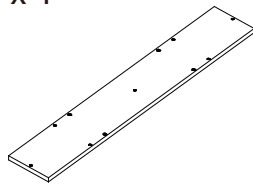


# N623P178236

⑧ x 4



⑬ x 1



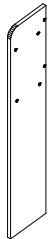
⑬ x 1



⑭ x 1



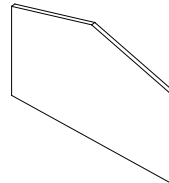
⑮ x 1



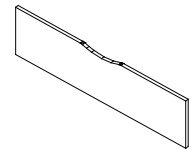
⑮ x 1



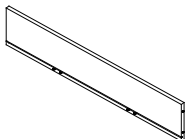
⑮ x 1



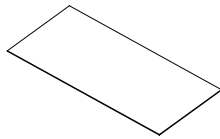
⑮ x 2



⑮ x 2

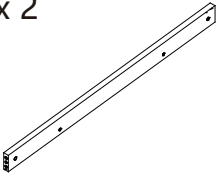


⑮ x 2

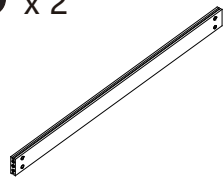


# N623P178240

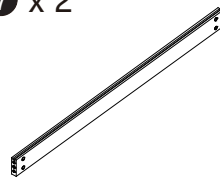
5 x 2



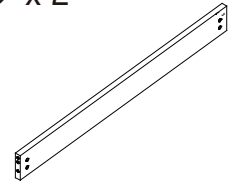
6 x 2



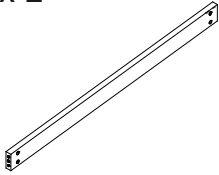
7 x 2



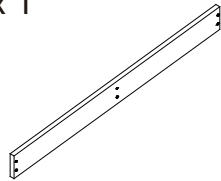
13 x 2



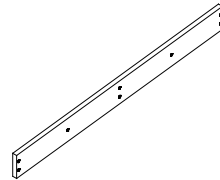
14 x 2



15 x 1



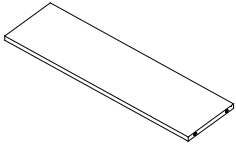
16 x 1



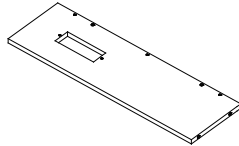
18 x 3



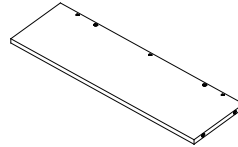
23 x 3



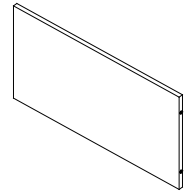
24 x 1



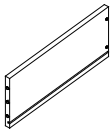
25 x 2



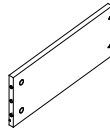
26 x 2



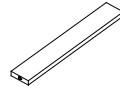
29 x 2







30 x 2



32 x 4



# N623P178240

<b>A</b> 	<b>B</b> 	<b>C</b> 
M6*60mm (36pcs)	M6*100mm(16pcs)	$\Phi$ 10*10.5mm(52pcs)
<b>D</b> 	<b>E</b> 	<b>F</b> 
$\Phi$ 8*40mm (42pcs)	$\Phi$ 3.5*30mm(66pcs)	M4 (2pcs)
<b>G</b> 	<b>H</b> 	<b>J</b> 
(1pc)	(48pcs)	(48pcs)
<b>K</b> 	<b>L</b> 	<b>M</b> 
M6*12mm(2pcs)	M6*25mm (2pcs)	(12pcs)
<b>N</b> 	<b>P</b> 	<b>Q</b> 
$\Phi$ 3.5*14mm(58pcs)	$\Phi$ 5*40mm(36pcs)	M3 (1pc)
<b>R</b> 	<b>S</b> 	
(4pcs)	(1pc)	





VERWENDEN SIE KEINE POWER TOOLS, um dieses Produkt zusammenzubauen!  
Do not use power tools to assemble this product!

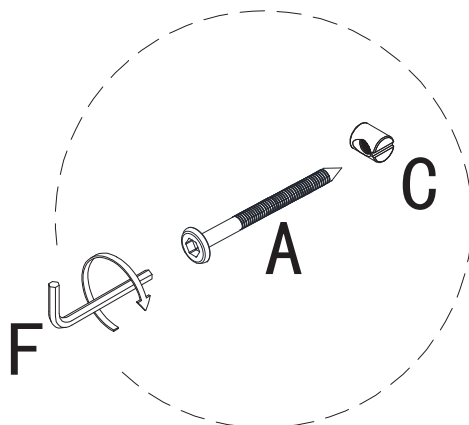
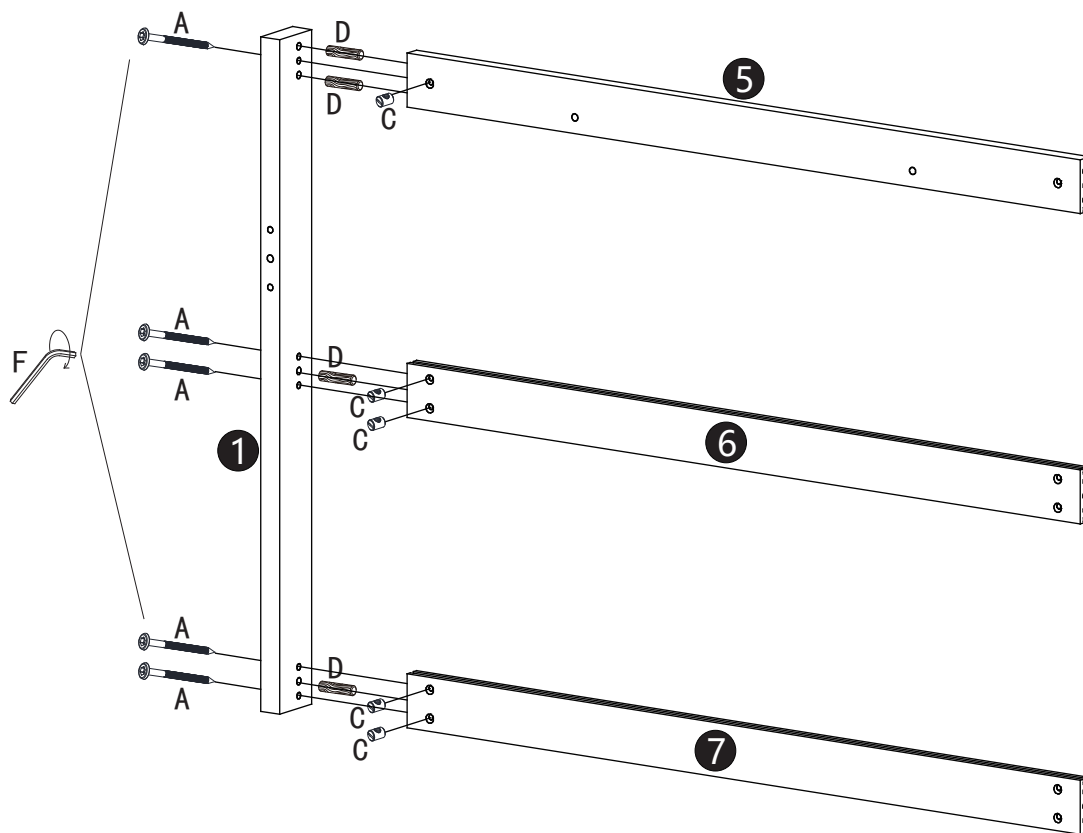
Anmerkung:  
Wir empfehlen Ihnen, Ihr Bett im flachen Boden zusammenzubauen

Note:





We recommend you to assemble your bed in flat floor

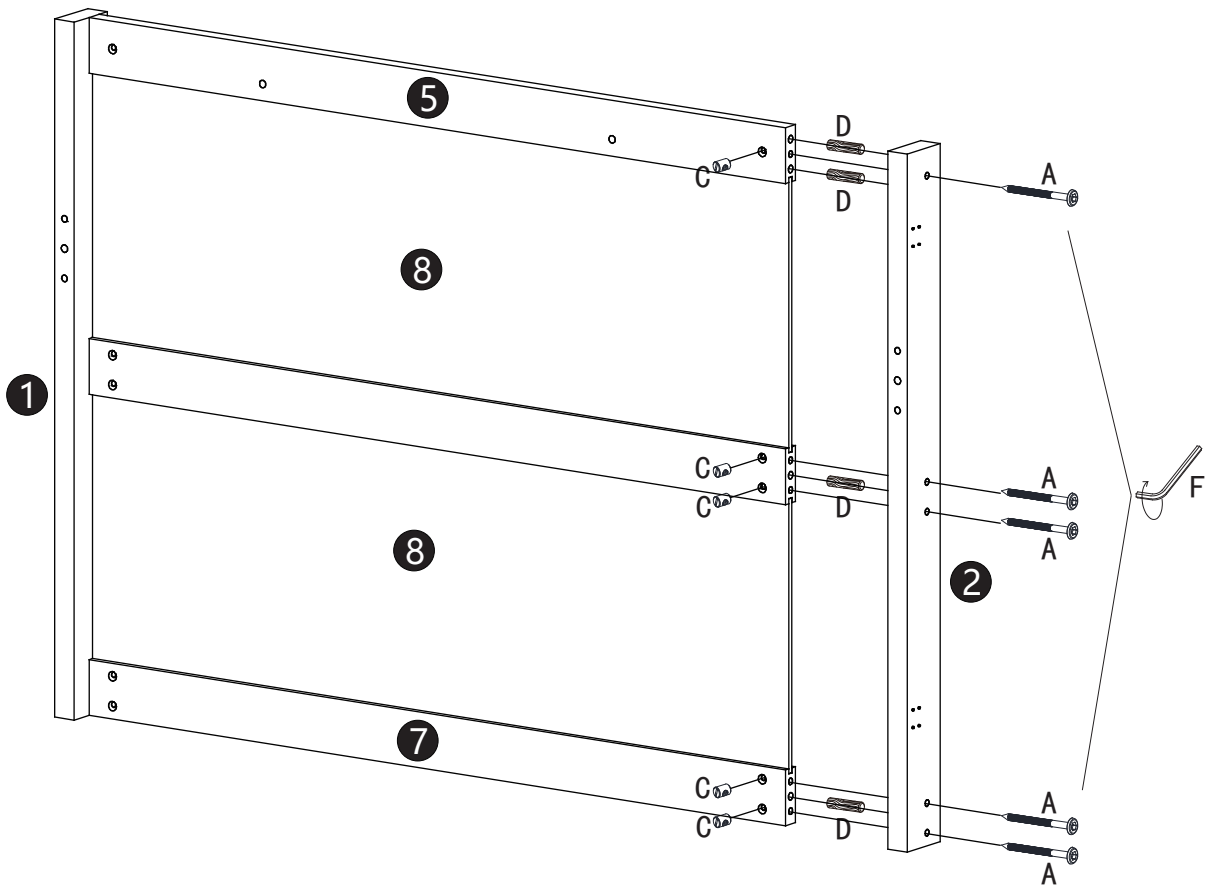
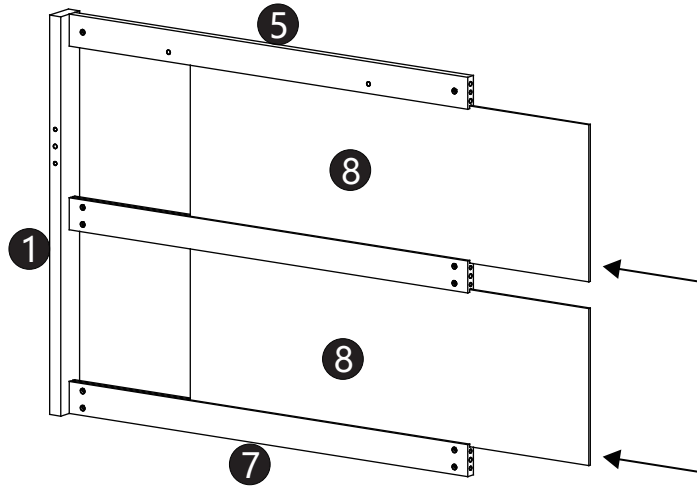
## SCHRITT 1:

<b>A</b>		<b>C</b>		<b>D</b>		<b>F</b>	
<b>5PCS</b>		<b>5PCS</b>		<b>4PCS</b>		<b>1PC</b>	







# SCHRITT 2:

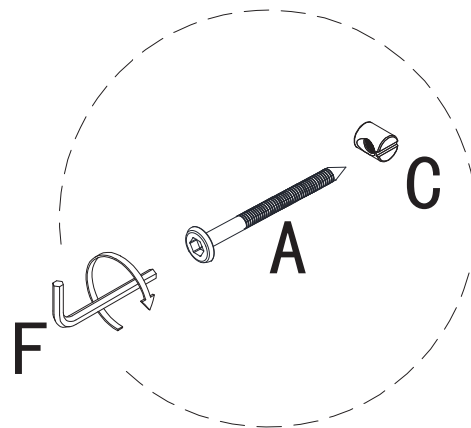
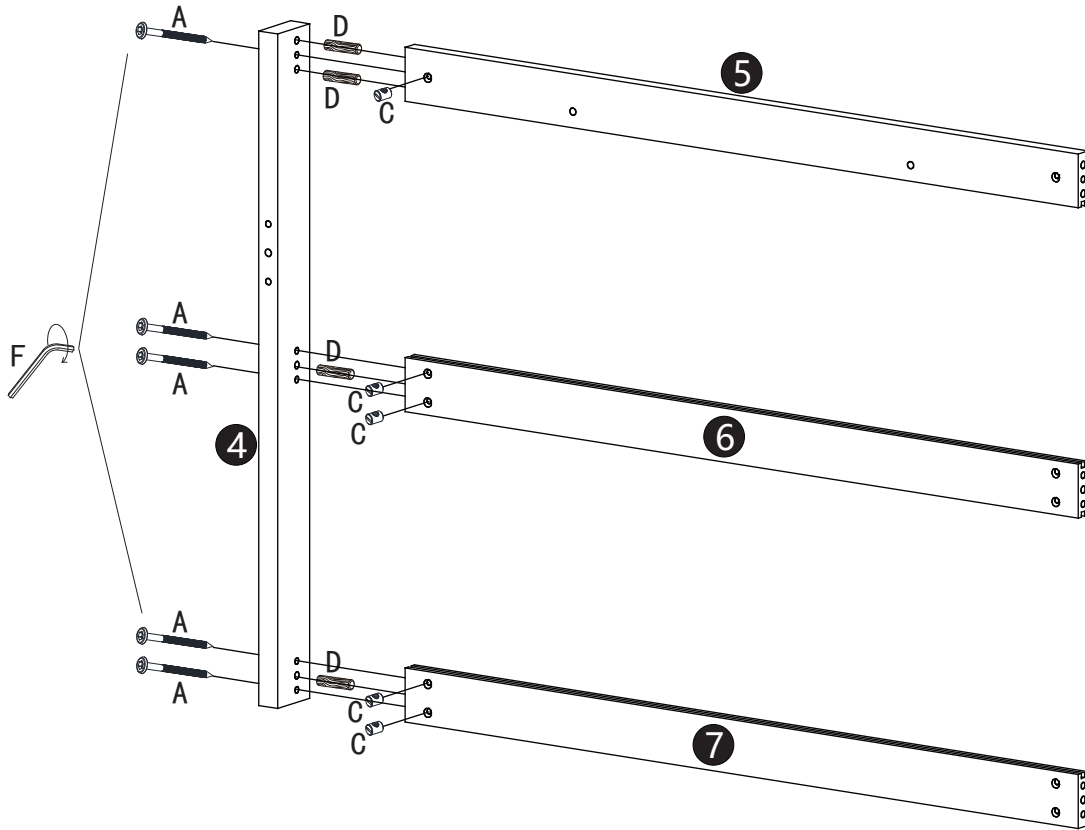
A		C		D		F	
5PCS		5PCS		4PCS		1PC	









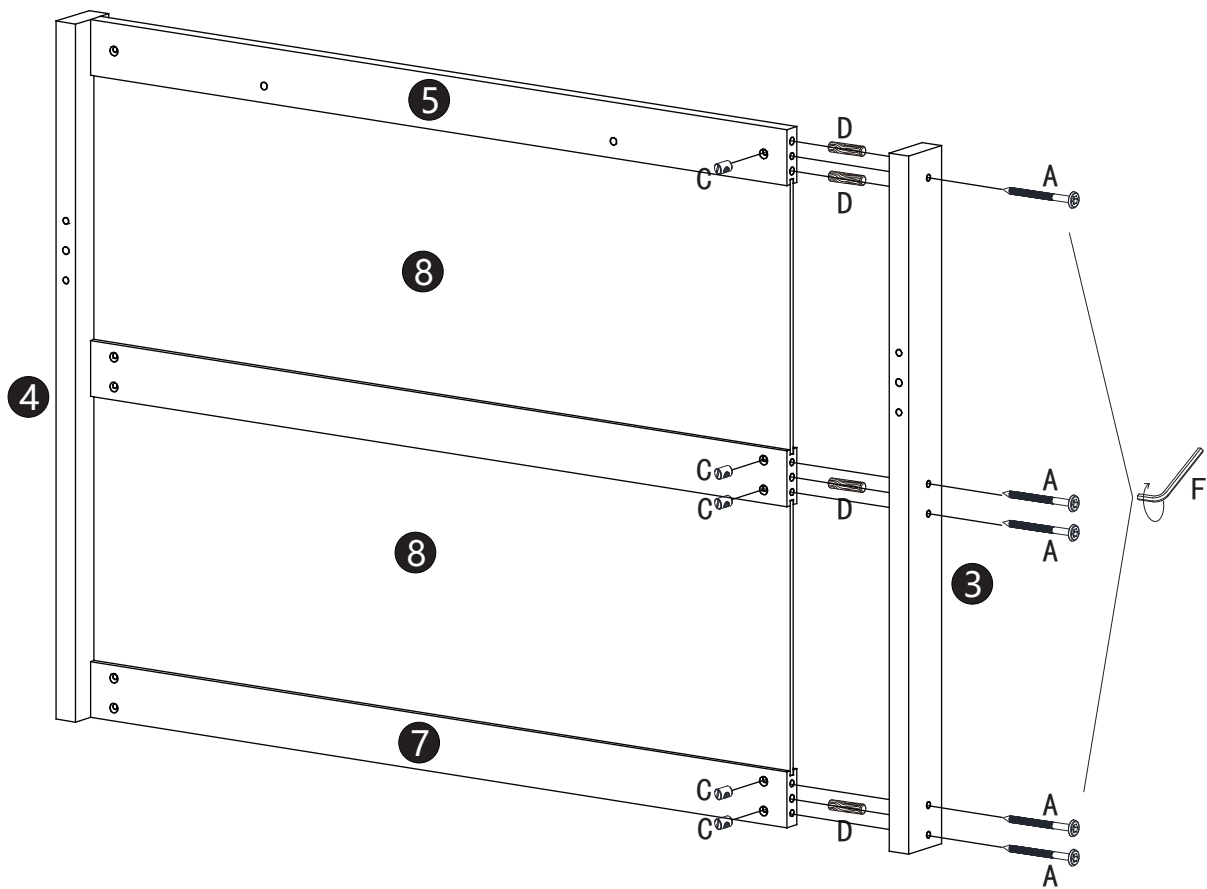
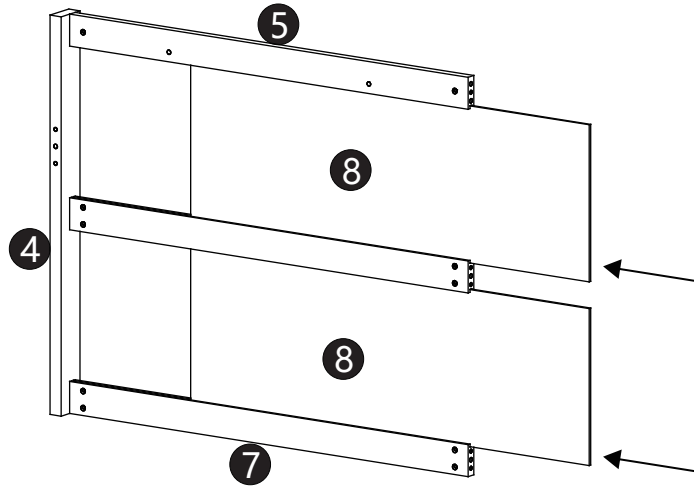
# SCHRITT 3:

A		C		D		F	
5PCS		5PCS		4PCS		1PC	







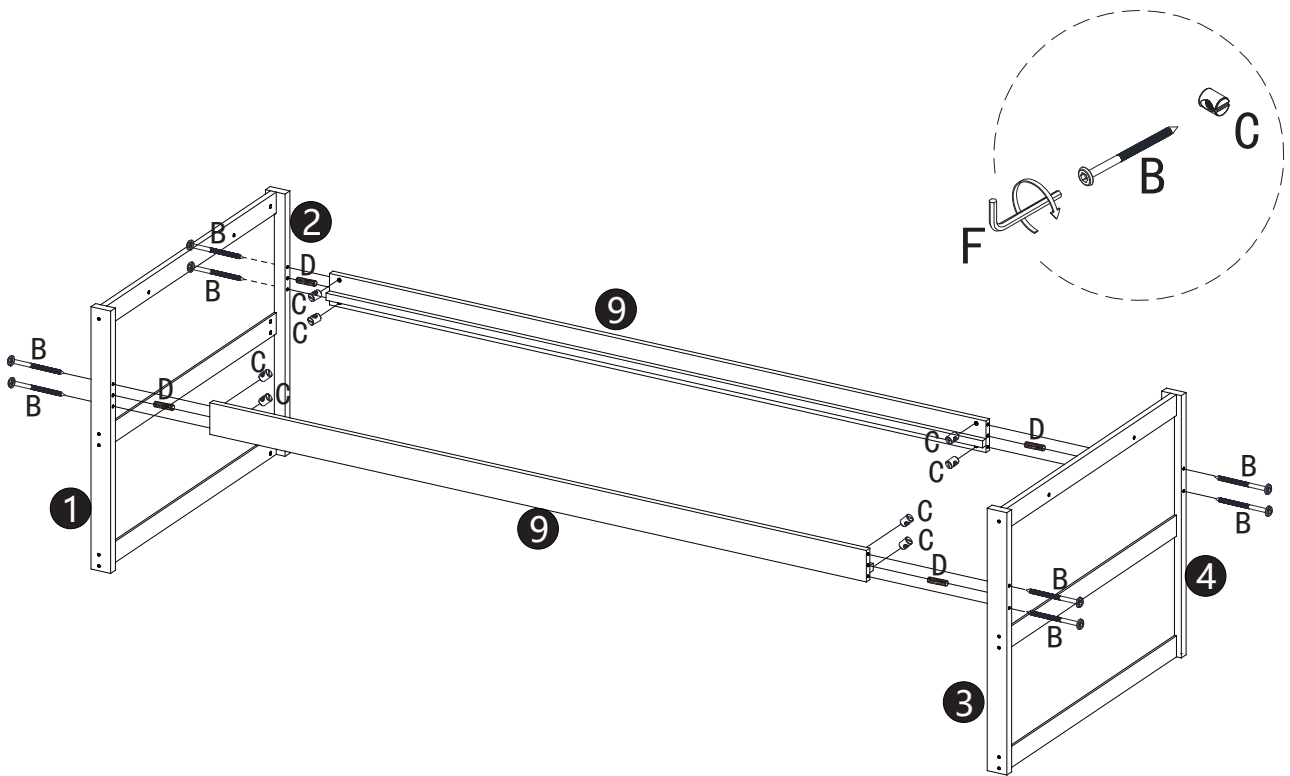
# SCHRITT 4:

<b>A</b>		<b>C</b>		<b>D</b>		<b>F</b>	
<b>5PCS</b>		<b>5PCS</b>		<b>4PCS</b>		<b>1PC</b>	





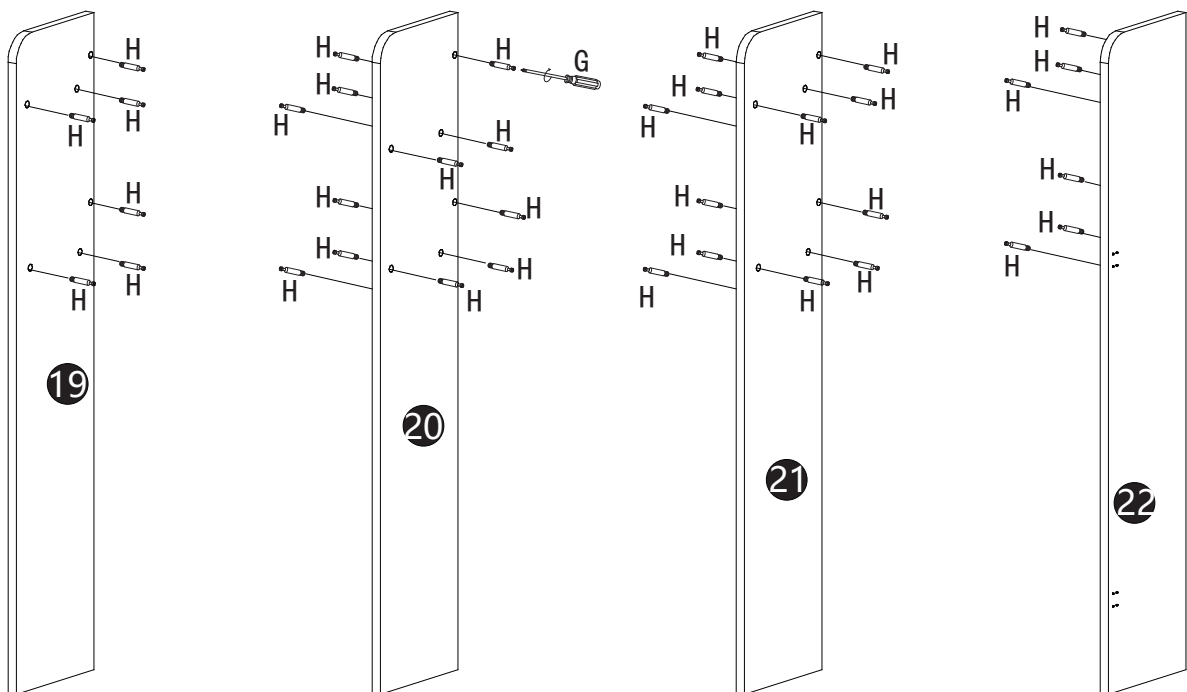
# SCHRITT 5:

<b>B</b>		<b>C</b>		<b>D</b>		<b>F</b>	
<b>8PCS</b>		<b>8PCS</b>		<b>4PCS</b>		<b>1PC</b>	






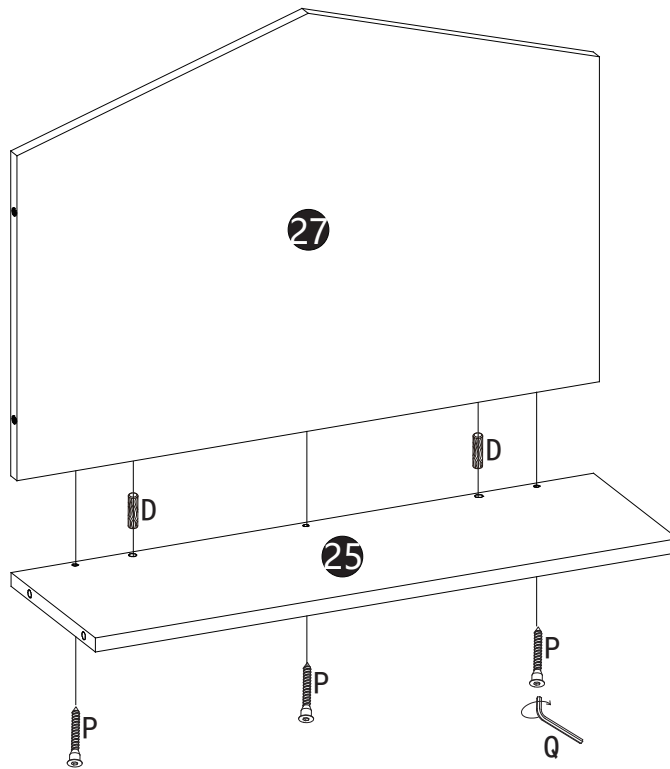
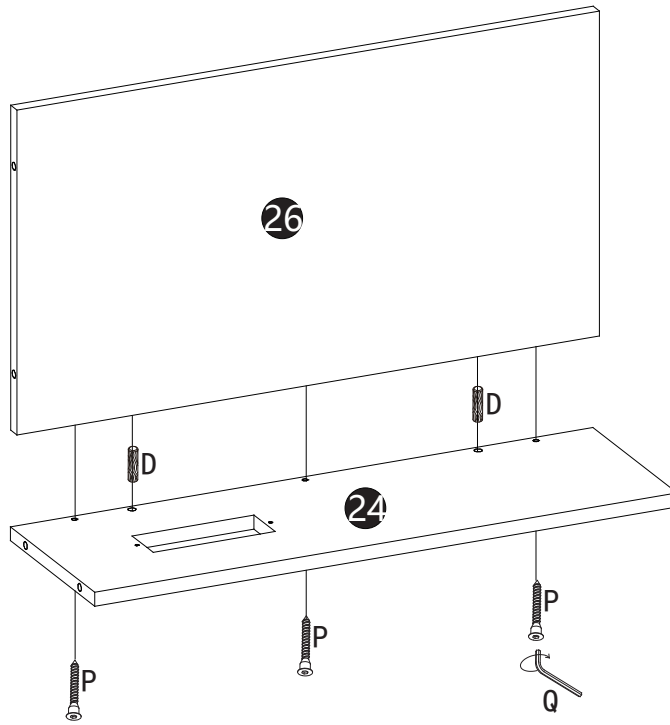
# SCHRITT 6:

<b>G</b>		<b>H</b>	
<b>1PC</b>		<b>36PCS</b>	





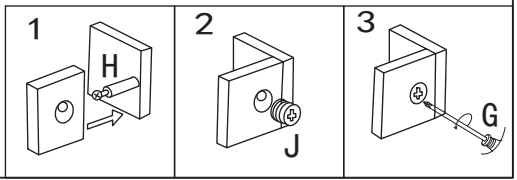
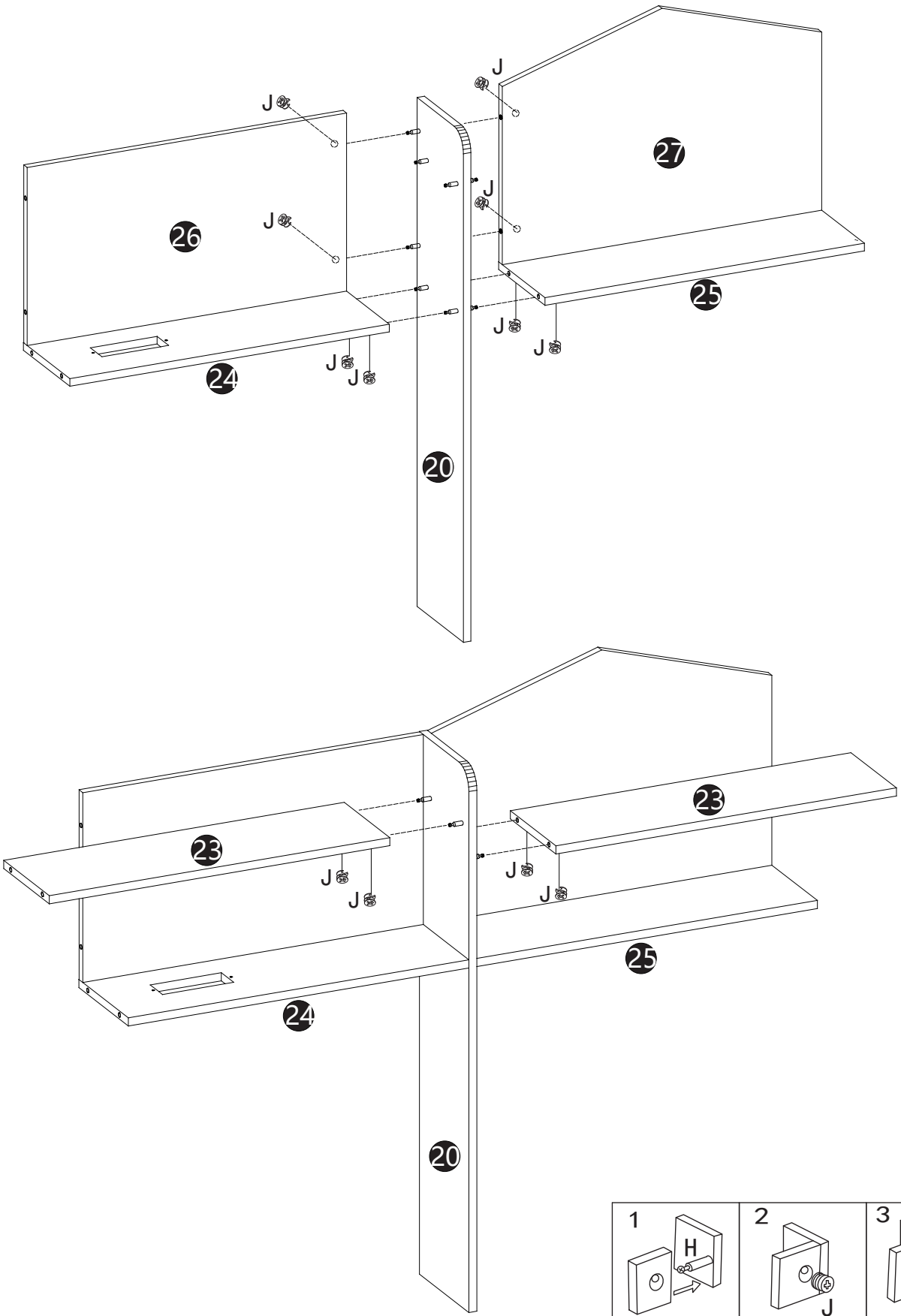
# SCHRITT 7:

D		P		Q	
4PCS		6PCS		1PC	








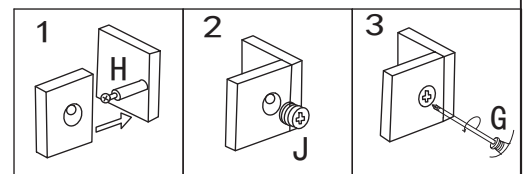
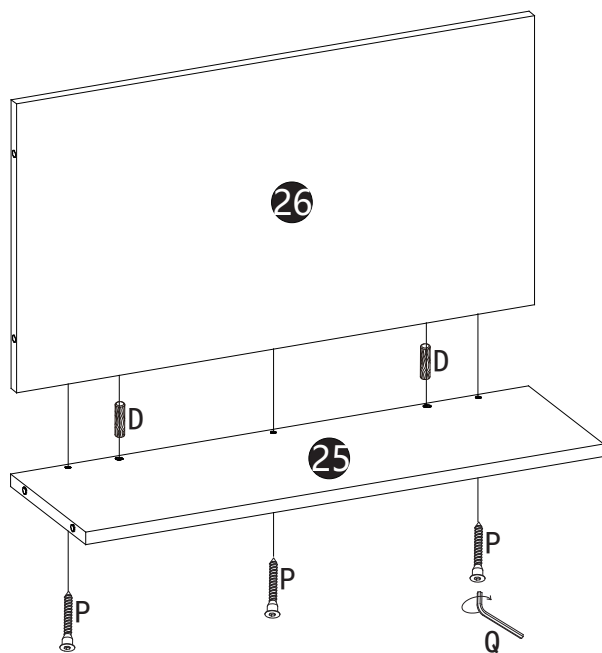
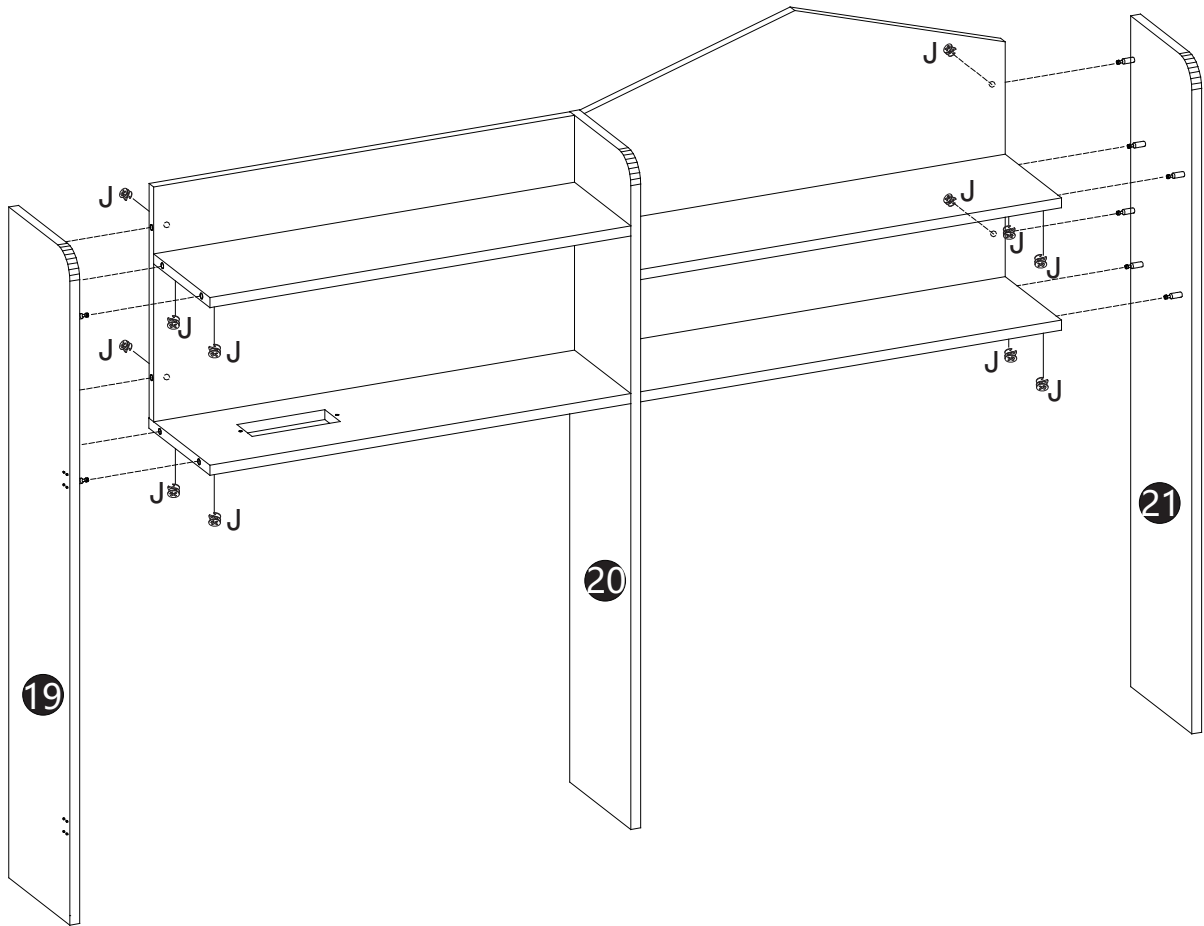
# SCHRITT 8:

<b>G</b>		<b>J</b>	
<b>1PC</b>		<b>12PCS</b>	



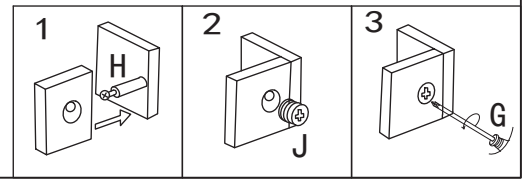
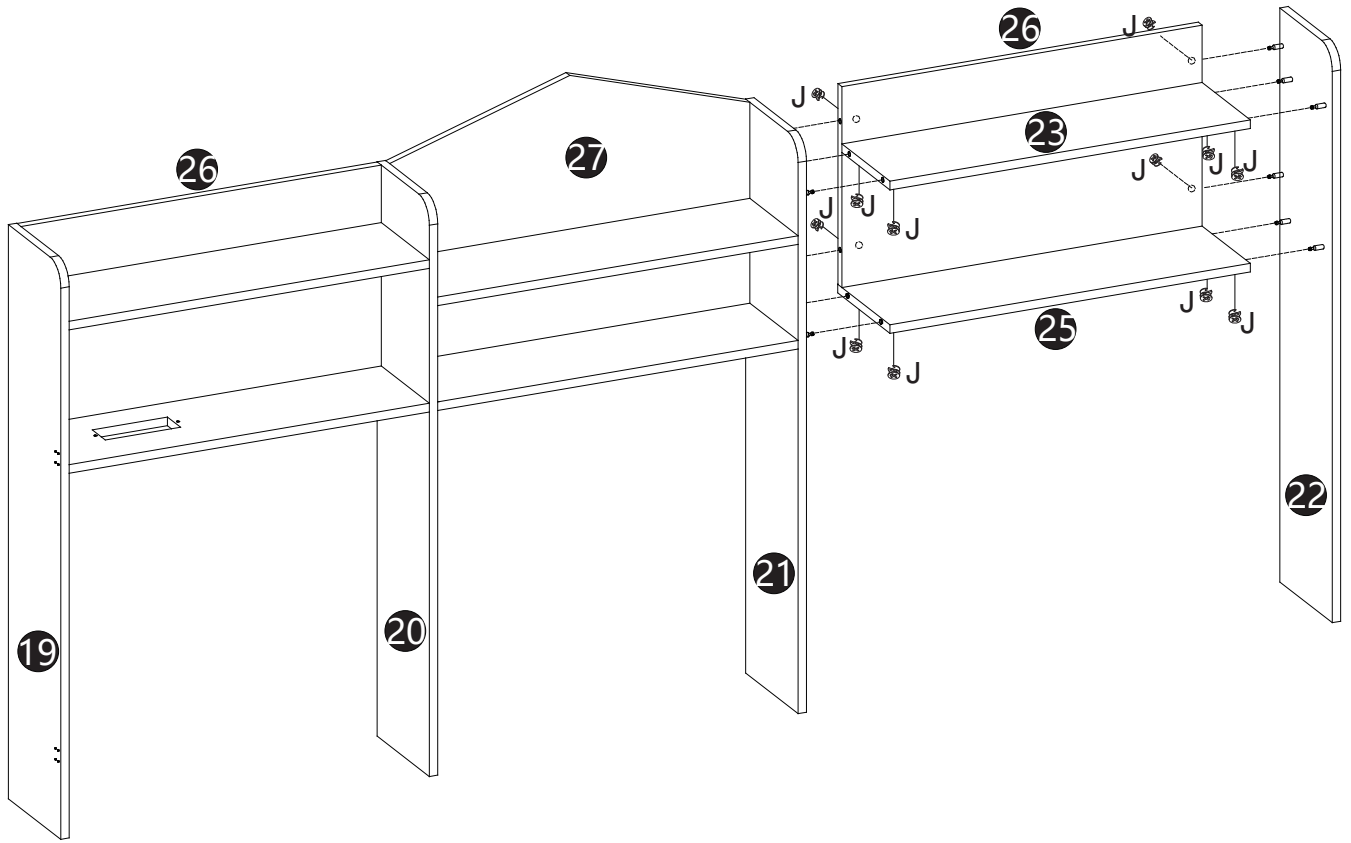
# SCHRITT 9:

<b>D</b>		<b>G</b>		<b>J</b>		<b>P</b>		<b>Q</b>	
<b>2PCS</b>		<b>1PC</b>		<b>12PCS</b>		<b>3PCS</b>		<b>1PC</b>	



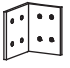


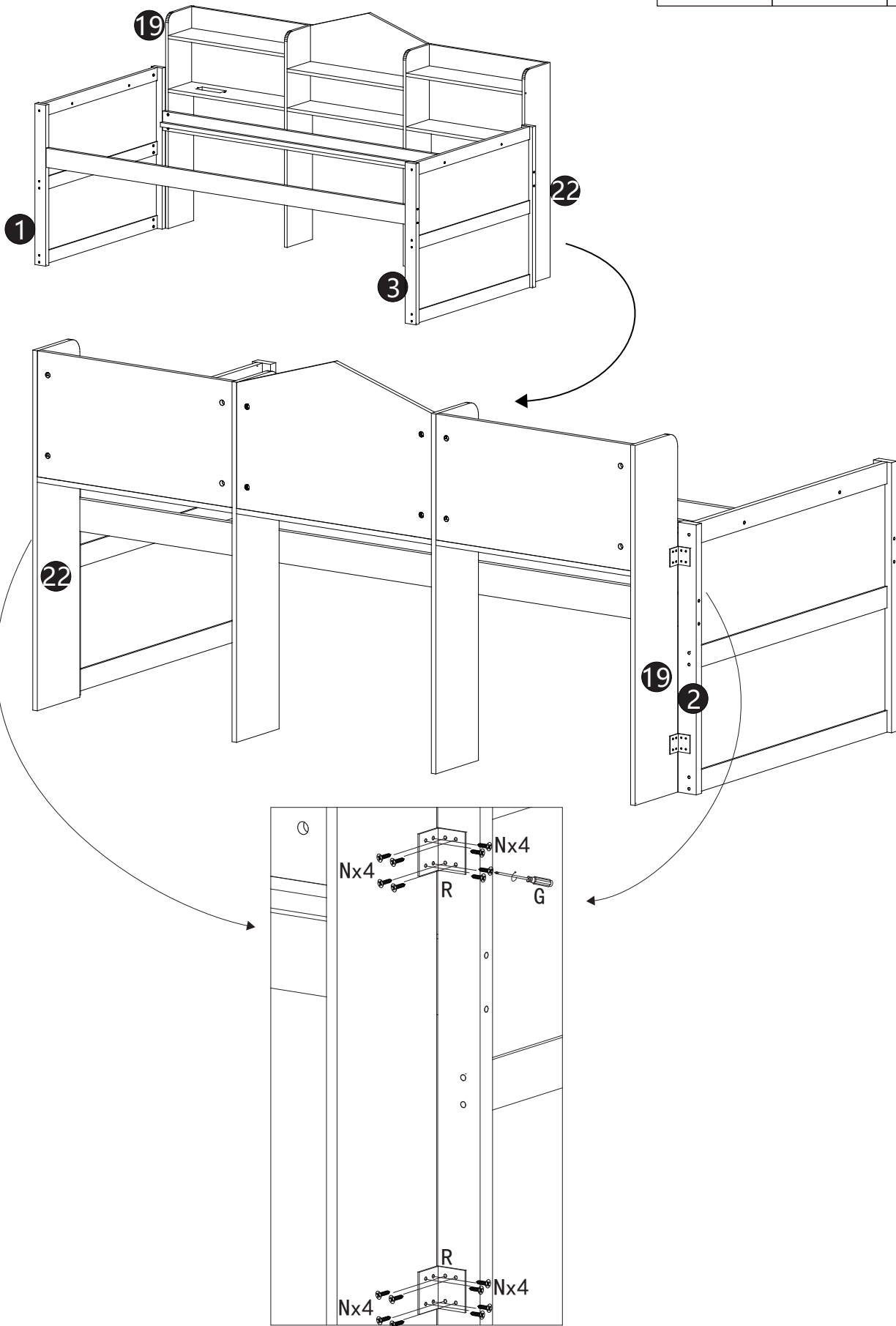
# SCHRITT 10:

G	J
1 PC	12 PCS







# SCHRITT 11:

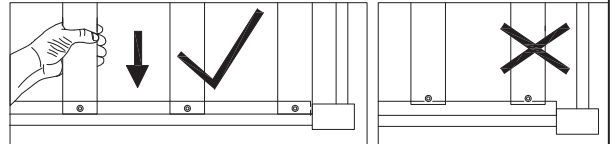
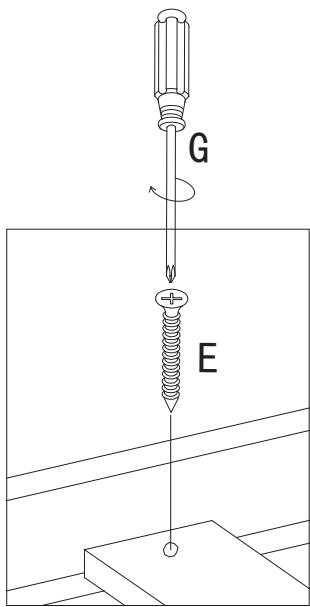
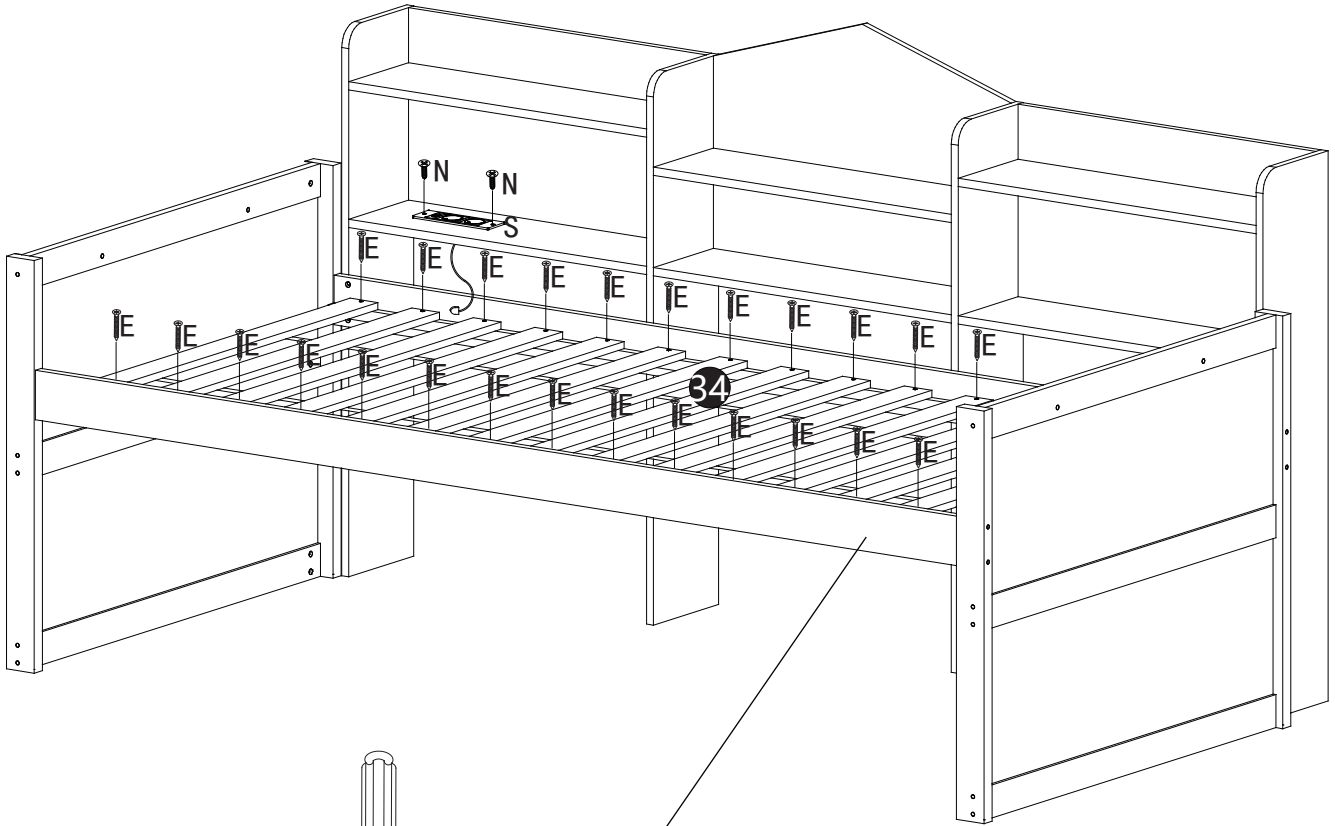
<b>G</b>		<b>N</b>		<b>R</b>	
<b>1PC</b>		<b>32PCS</b>		<b>4PCS</b>	












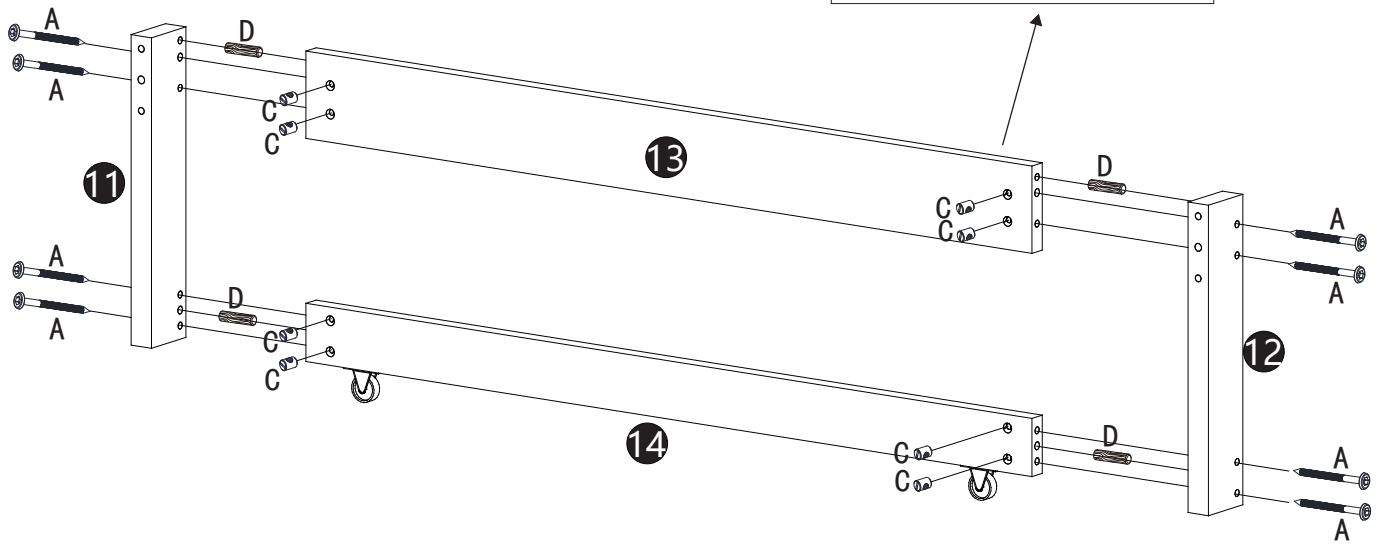
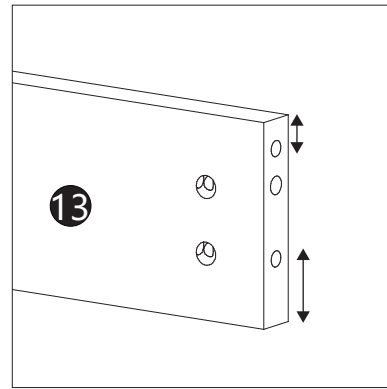
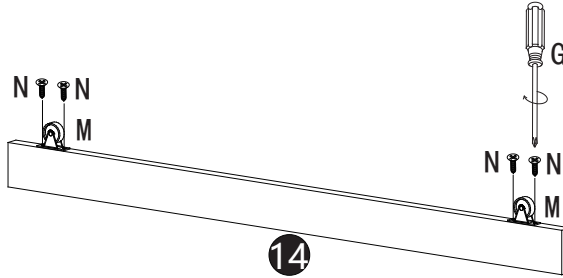
# SCHRITT 12:

<b>E</b>		<b>G</b>		<b>N</b>		<b>S</b>	
<b>30PCS</b>		<b>1PC</b>		<b>2PCS</b>		<b>1PC</b>	









# SCHRITT 13:

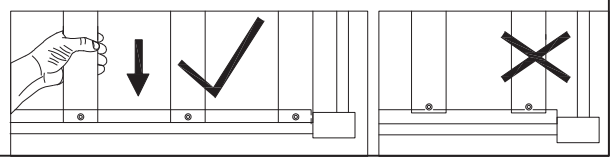
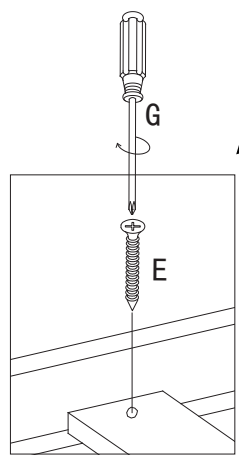
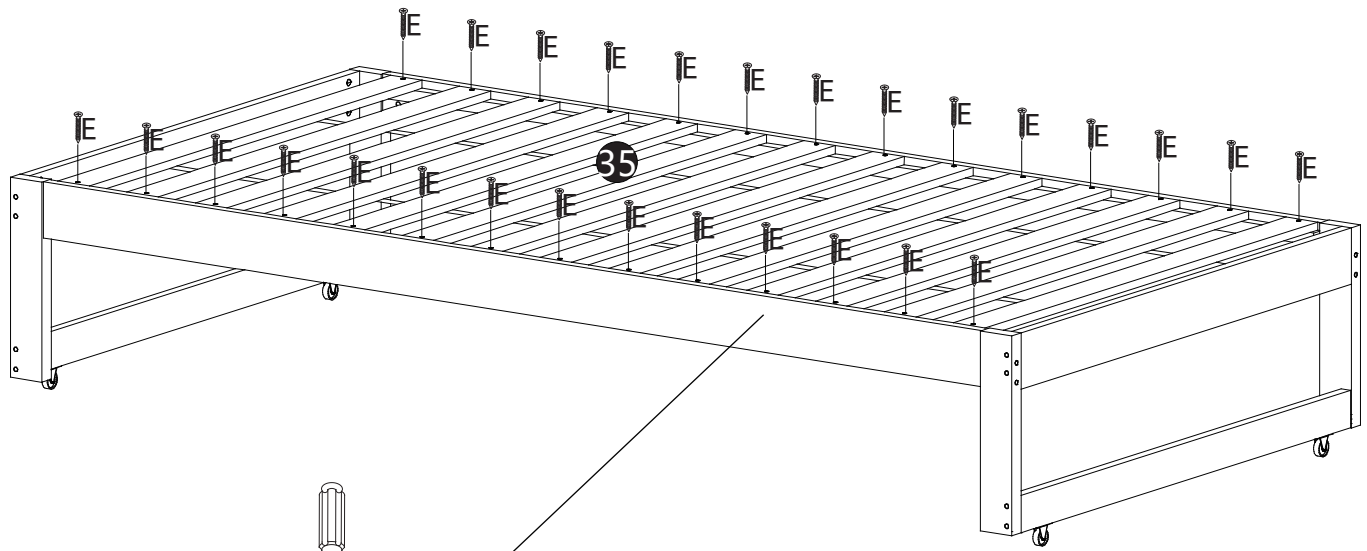
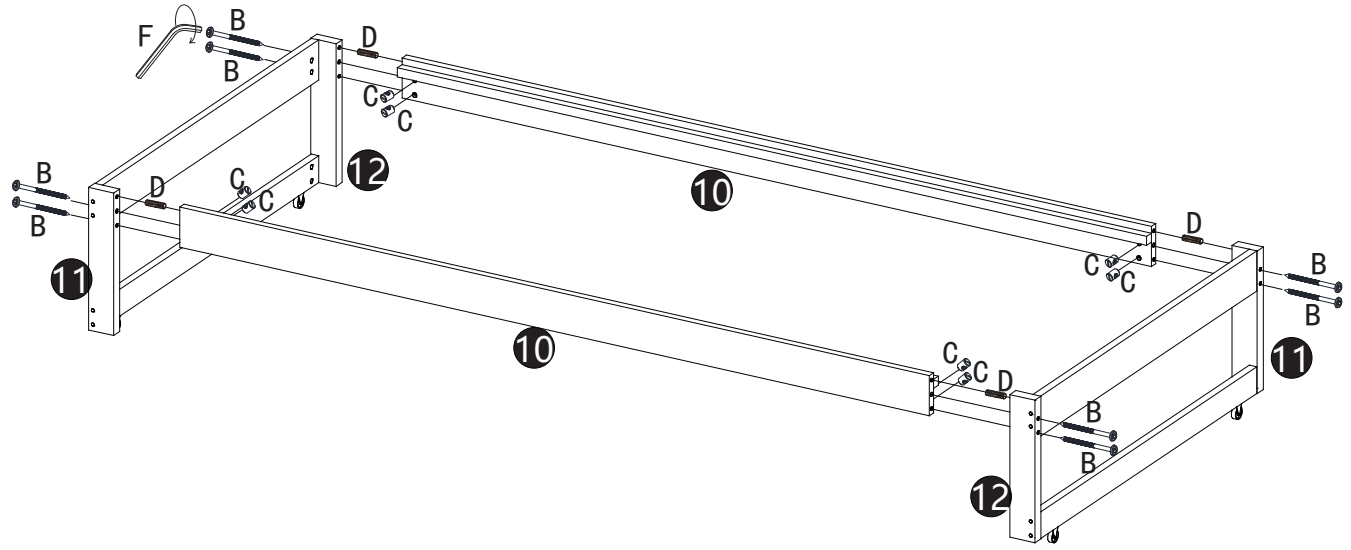
<b>A</b> 	<b>C</b> 	<b>D</b> 	<b>F</b> 	<b>M</b> 	<b>N</b> 
16PCS	16PCS	8PCS	1PC	4PCS	8PCS
					<b>G</b> 
					1PC











**x2**

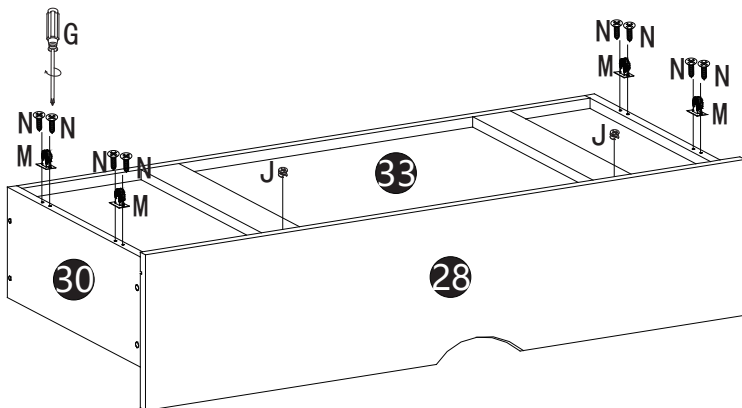
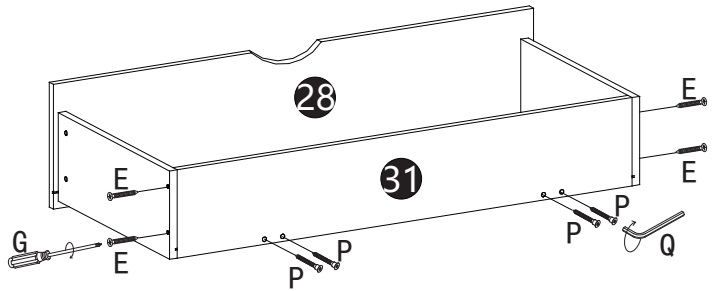
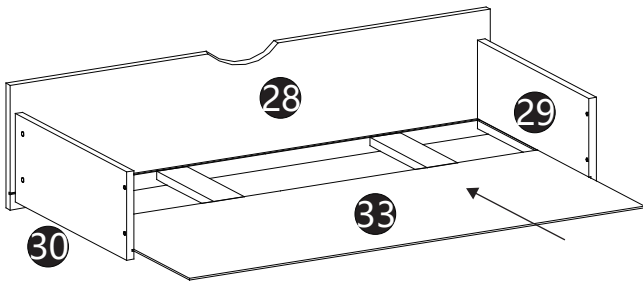
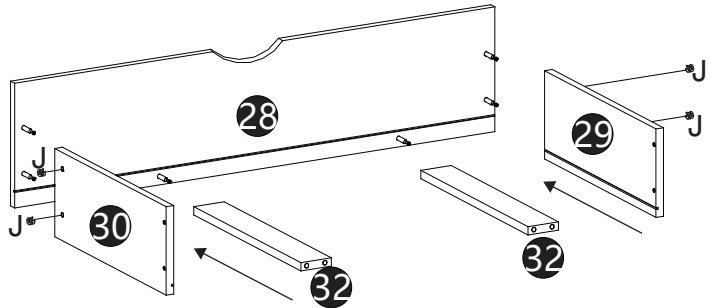
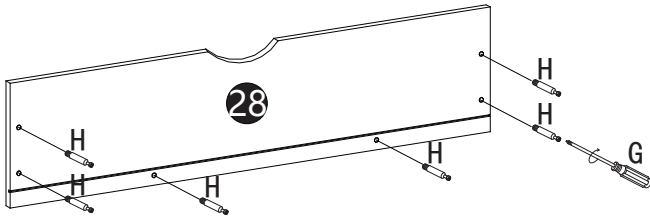
# SCHRITT 14:

<b>B</b>		<b>C</b>		<b>D</b>		<b>E</b>		<b>F</b>		<b>G</b>	
8PCS		8PCS		4PCS		28PCS		1PC		1PC	

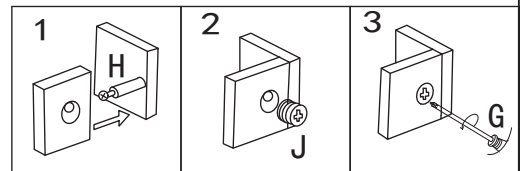


# SCHRITT 15:

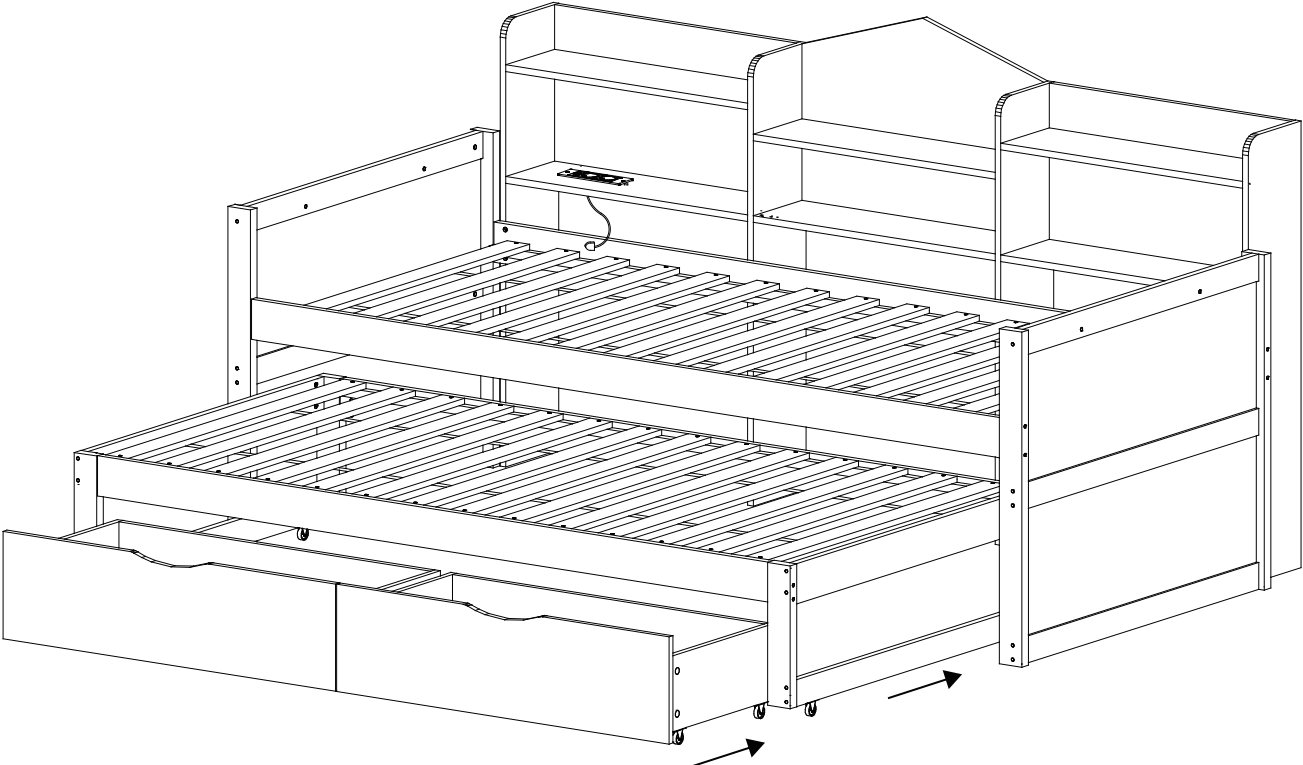
<b>E</b> 	<b>G</b> 	<b>H</b> 	<b>J</b> 	<b>M</b> 	<b>N</b> 
<b>8PCS</b>	<b>1PC</b>	<b>12PCS</b>	<b>12PCS</b>	<b>8PCS</b>	<b>16PCS</b>
				<b>P</b> 	<b>Q</b> 
				<b>8PCS</b>	<b>1PC</b>






# x2

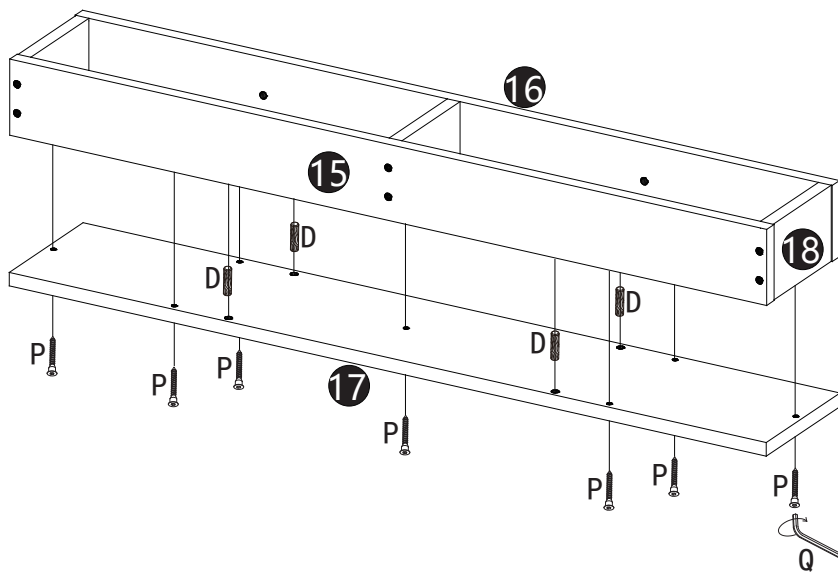
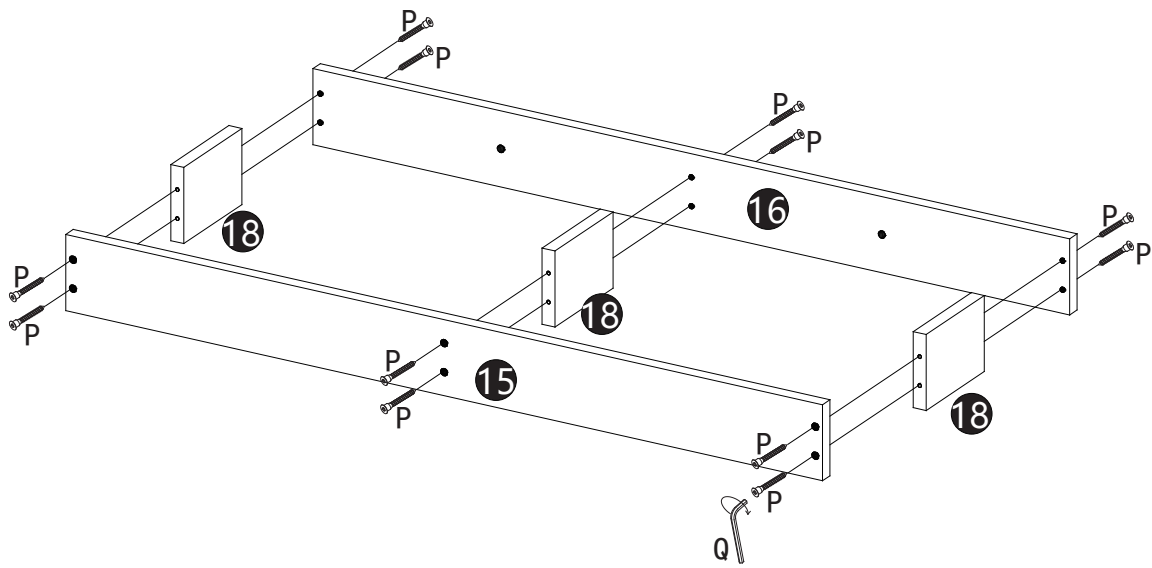


SCHRITT 16:






# SCHRITT 17:

D		P		Q	
4PCS		19PCS		1PC	



# SCHRITT 18:

<b>F</b> 	<b>K</b> 	<b>L</b> 
<b>2PCS</b>	<b>2PCS</b>	<b>2PCS</b>

