


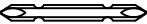




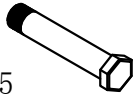






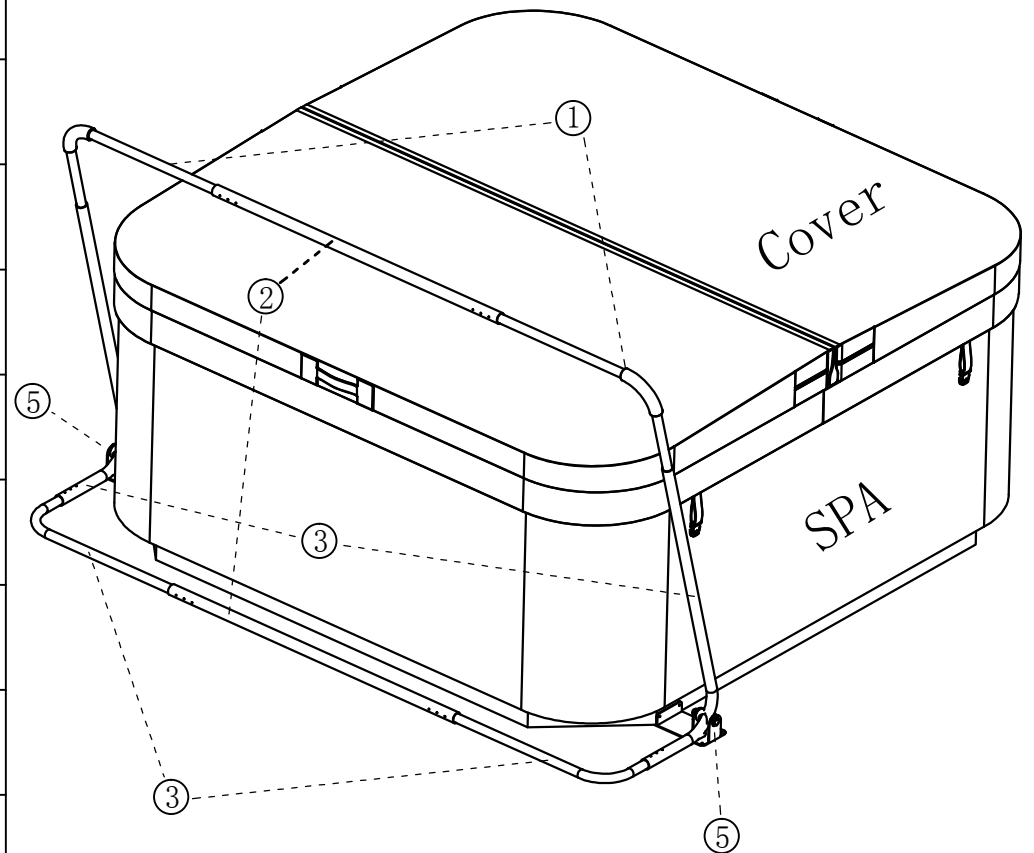
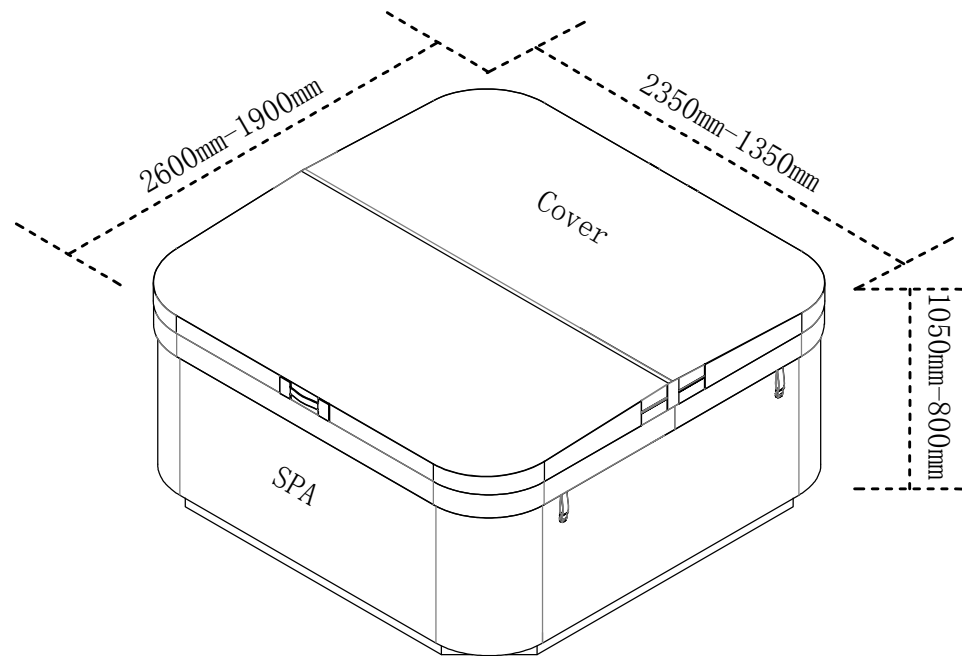


Bill of materials :

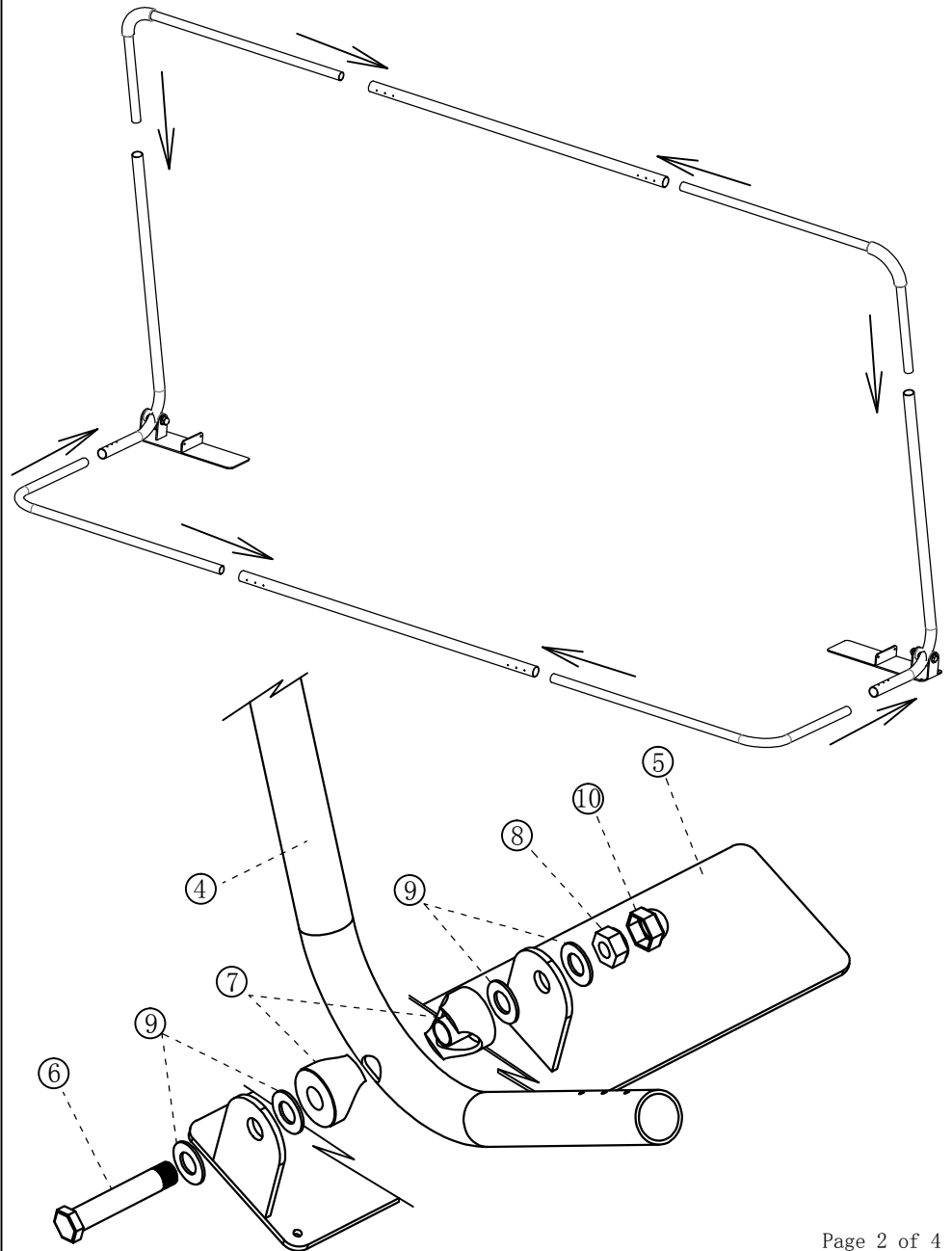
N0	QTY	Shape / name	N0	QTY	Shape / name
①	2		⑬	6	5X30 
②	2		⑭	1	
③	2		⑮	1	$\phi 3.2$ 
④	2				
⑤	2				
⑥	2	12X55 			
⑦	4				
⑧	2	$\phi 12$ 			
⑨	8	$\phi 27$ 			
⑩	2	$\phi 12$ 			
⑪	28	4X19 			
⑫	30				



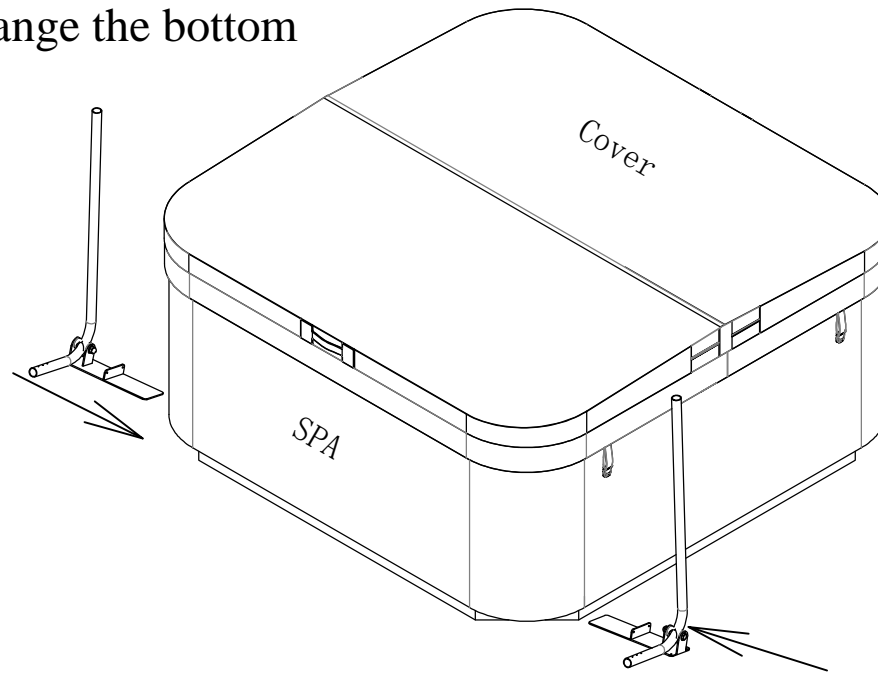
Available dimension :



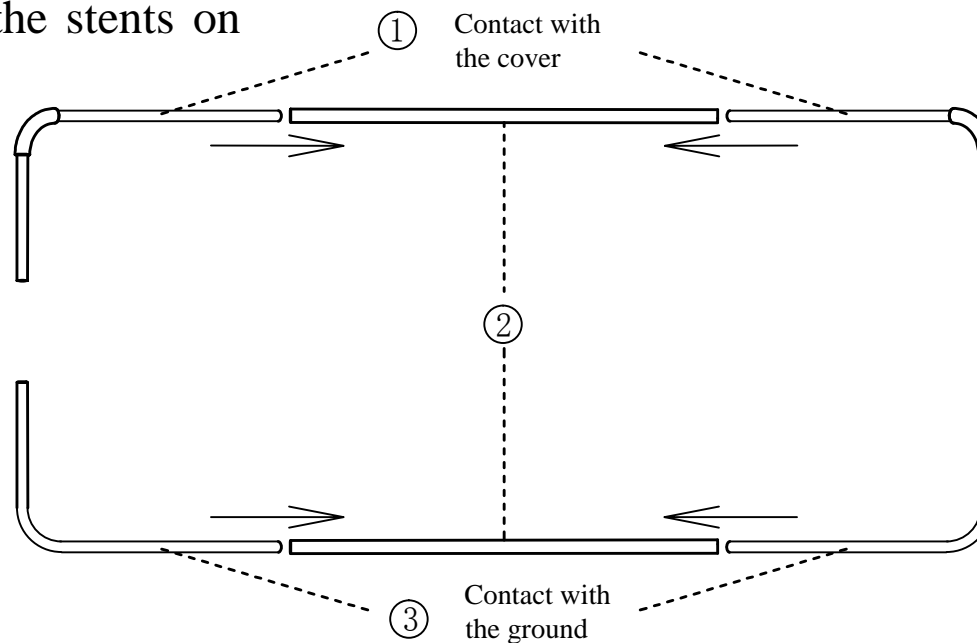
Assembly drawing :



Installation steps One : Arrange the bottom position

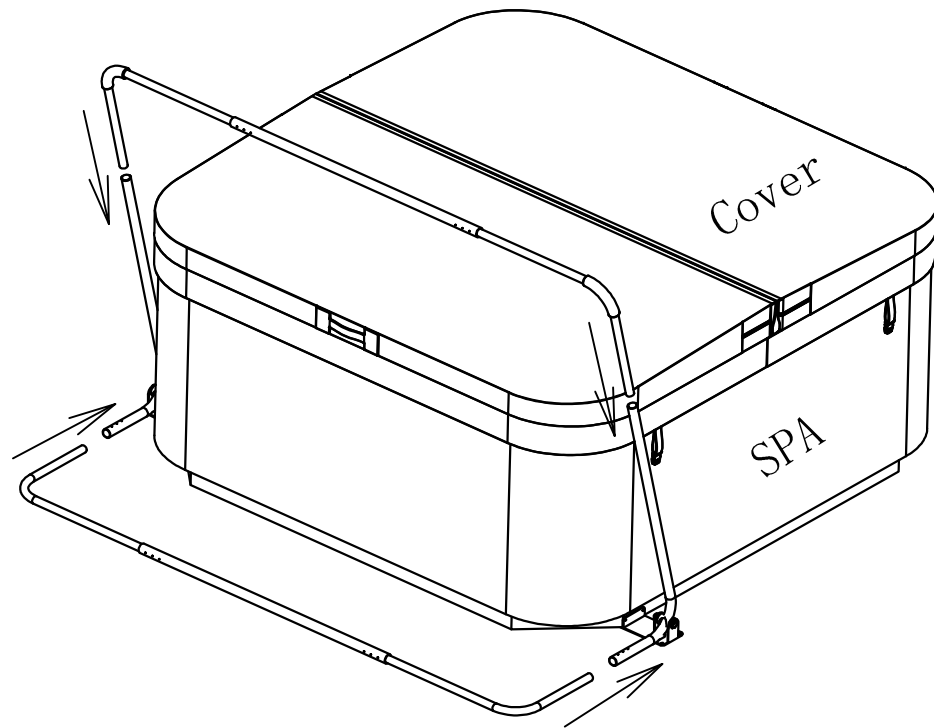


Installation steps Two: Install the stents on both sides respectively



A distinction placed ① & ③

Installation steps three: lock the stents onto the spa



Installation steps five: Locate the lifter, and lock screws

