

FlexiSpot

Item No. XC3-G

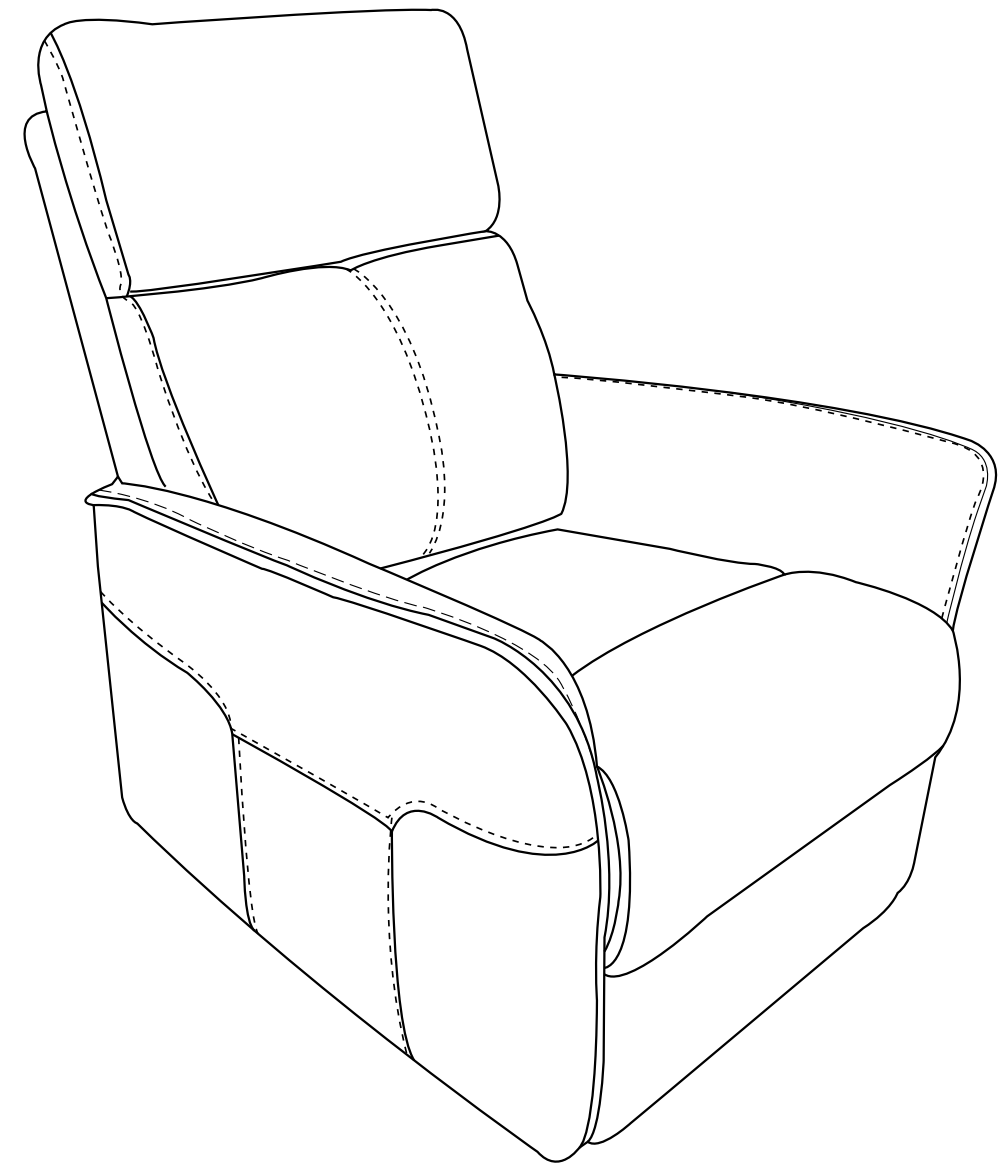
User Manual



Warranty



Precaution



+49 211 368 74223
info@flexispot.de

CONTENTS

English-----01

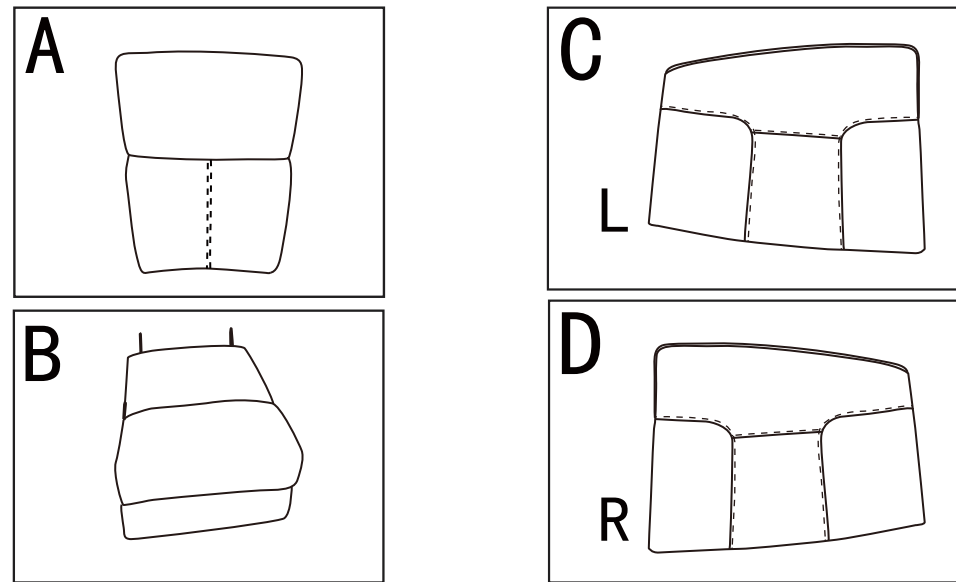
German-----03

French-----05

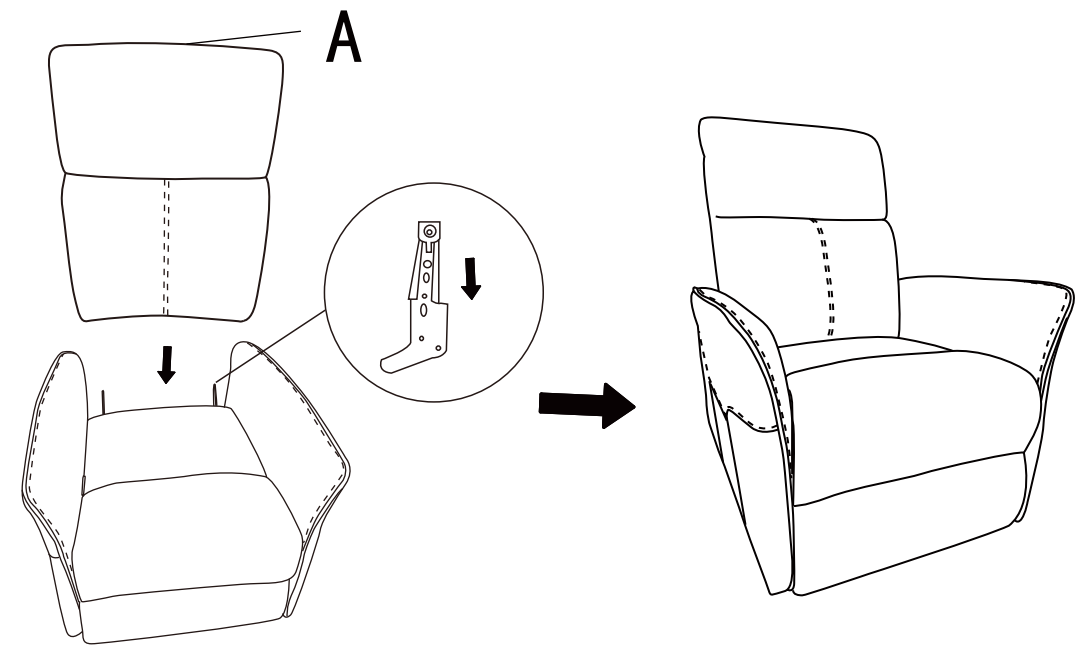
Italian-----07

Spanish-----09

Component list

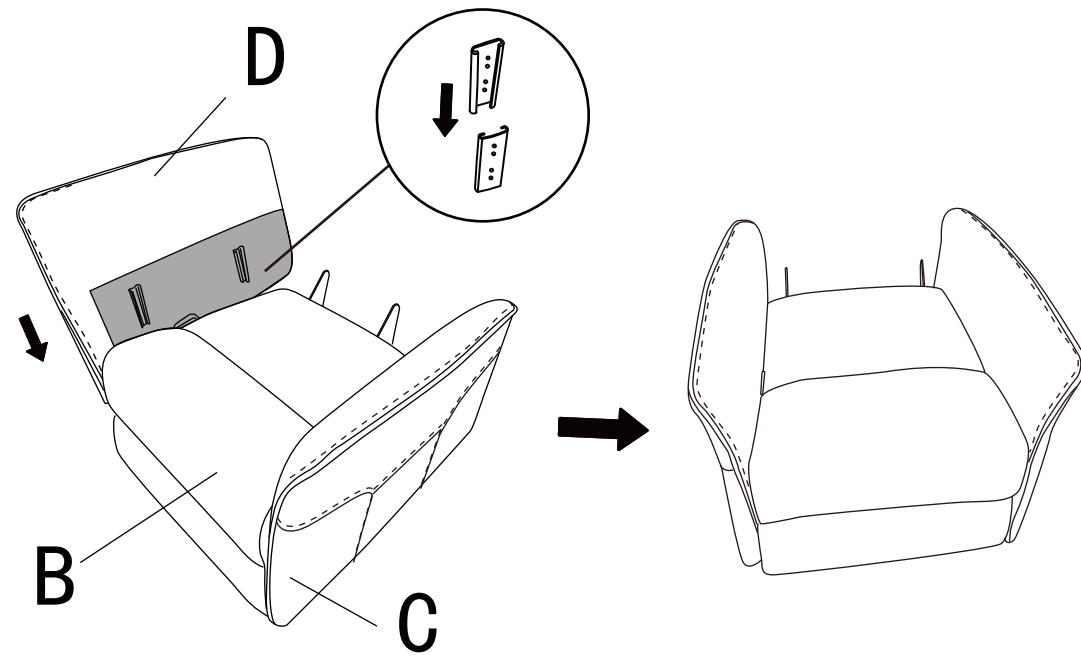


2

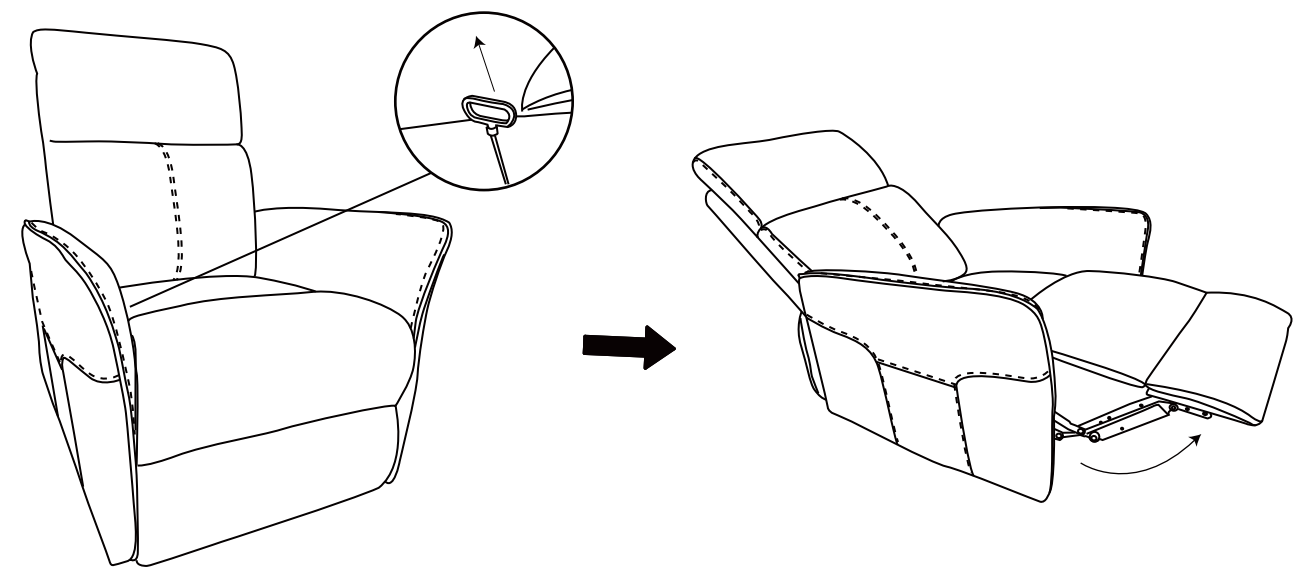


Assembly Instructions

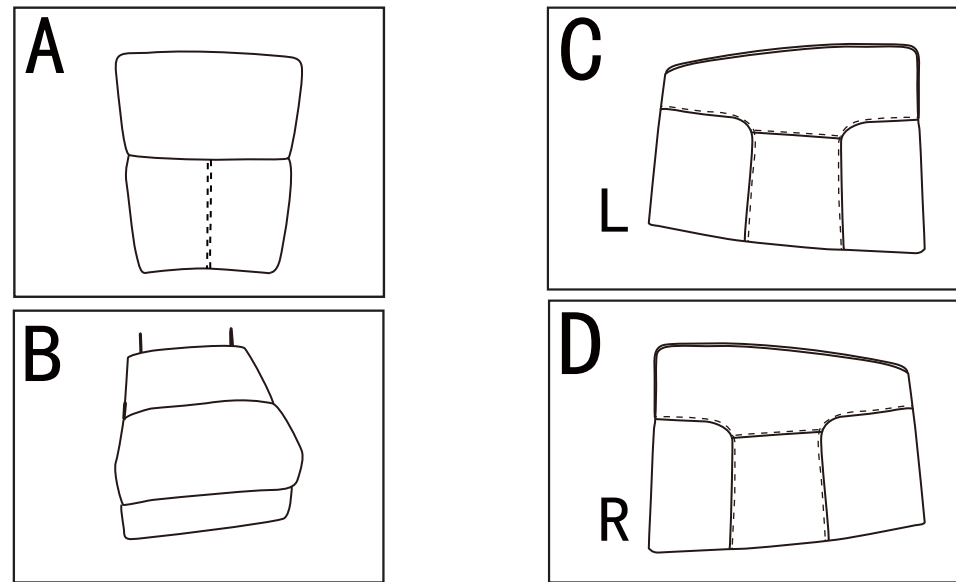
1



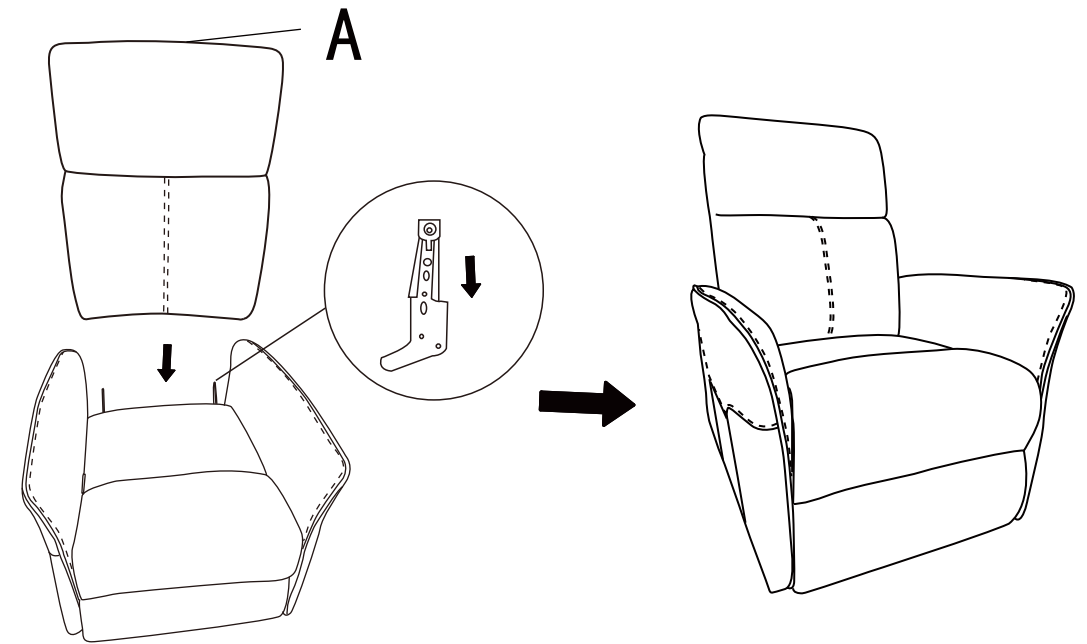
3



Komponentenliste

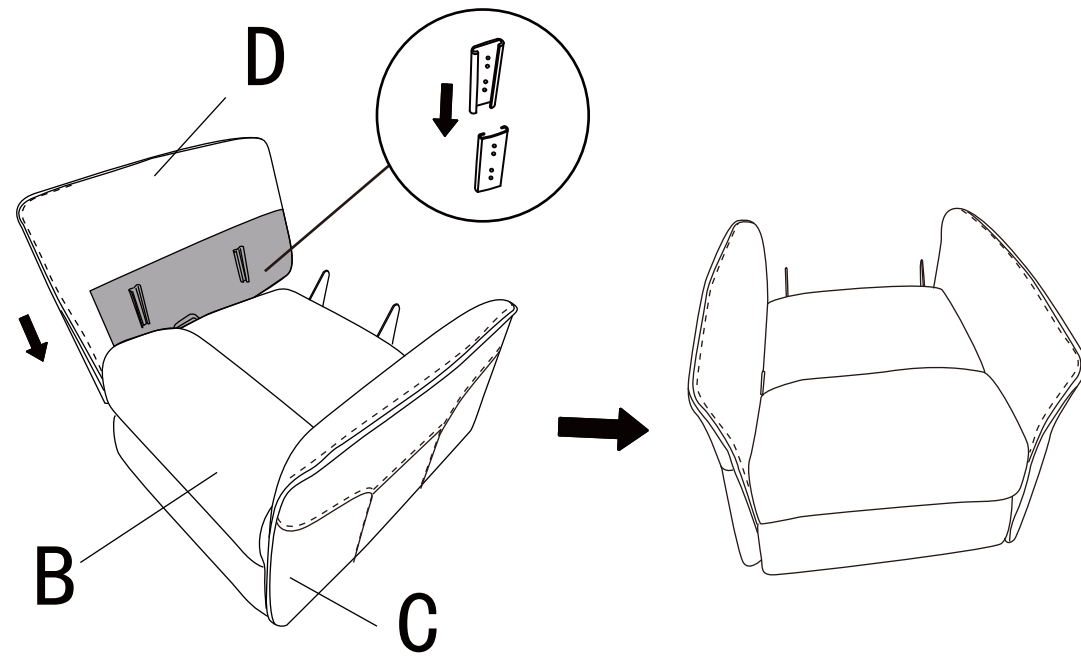


2

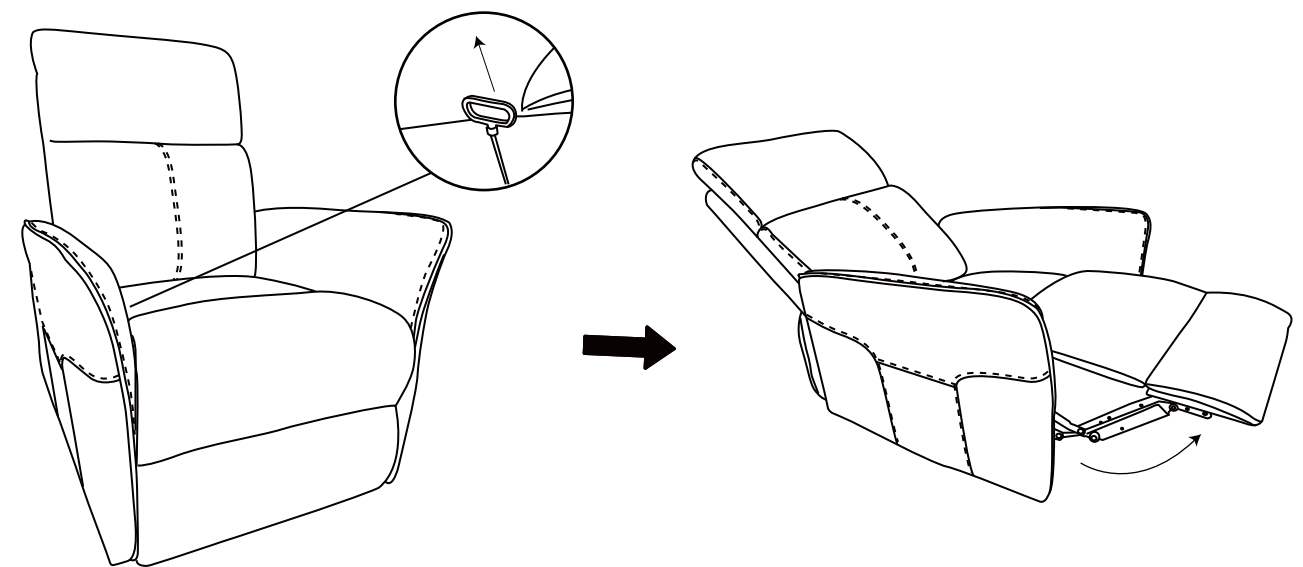


Installationsanleitung

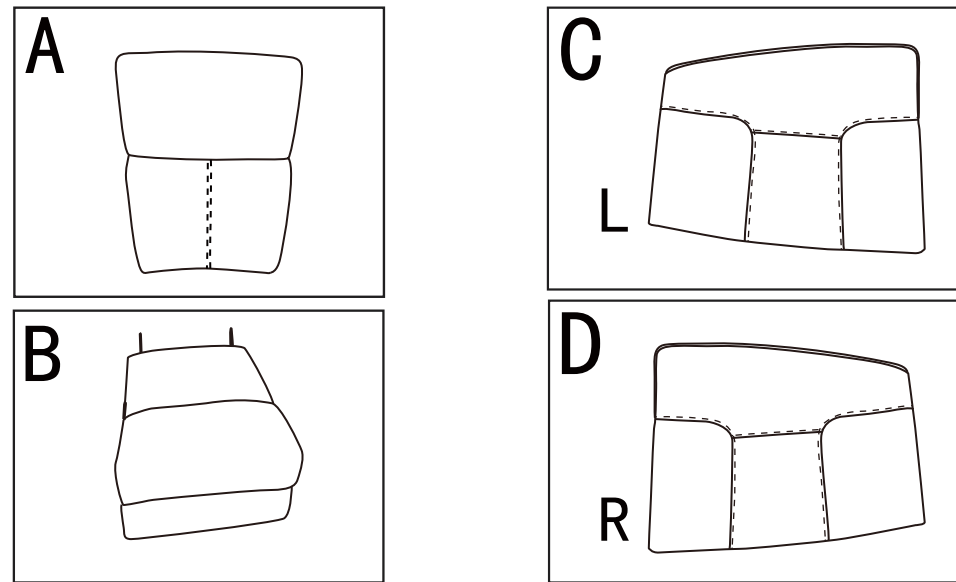
1



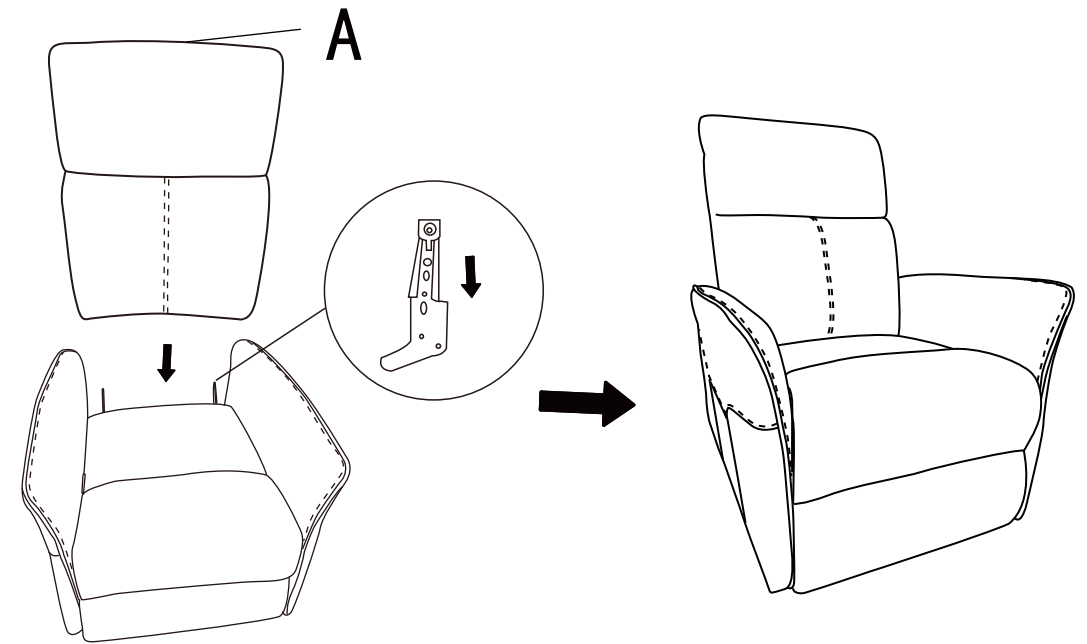
3



Liste des composants

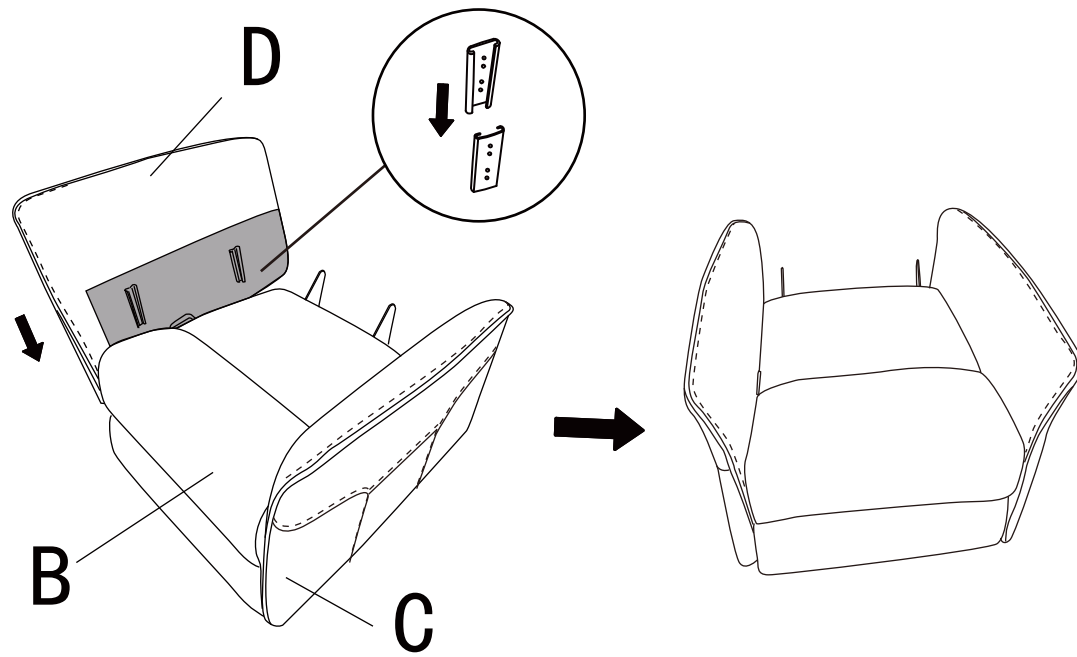


2

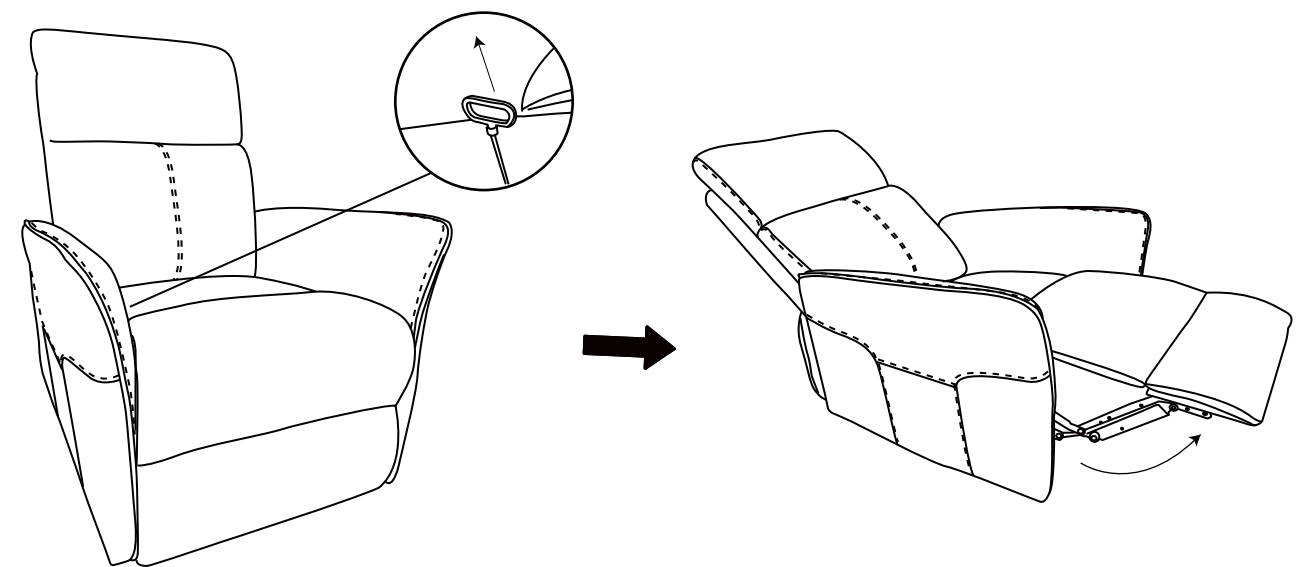


Guide d'installation

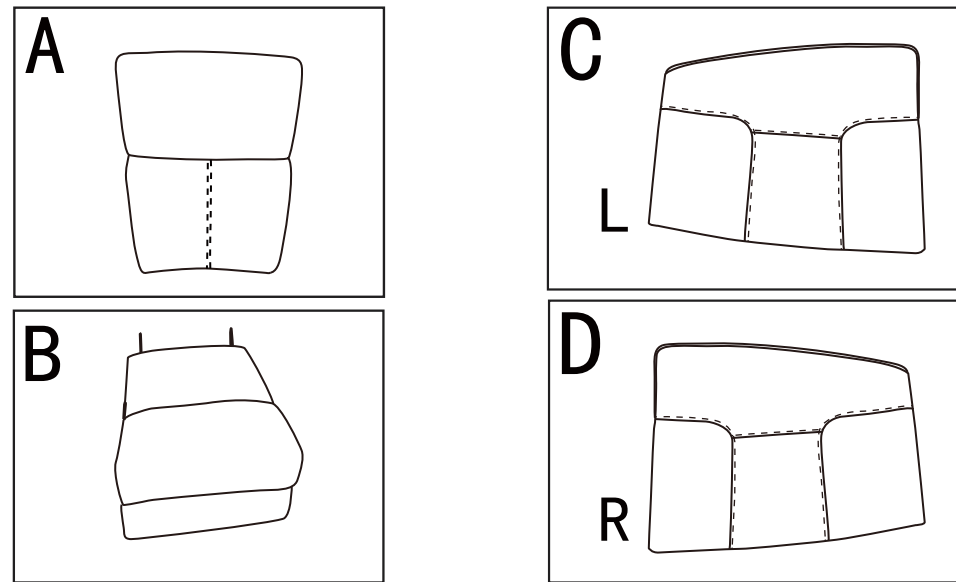
1



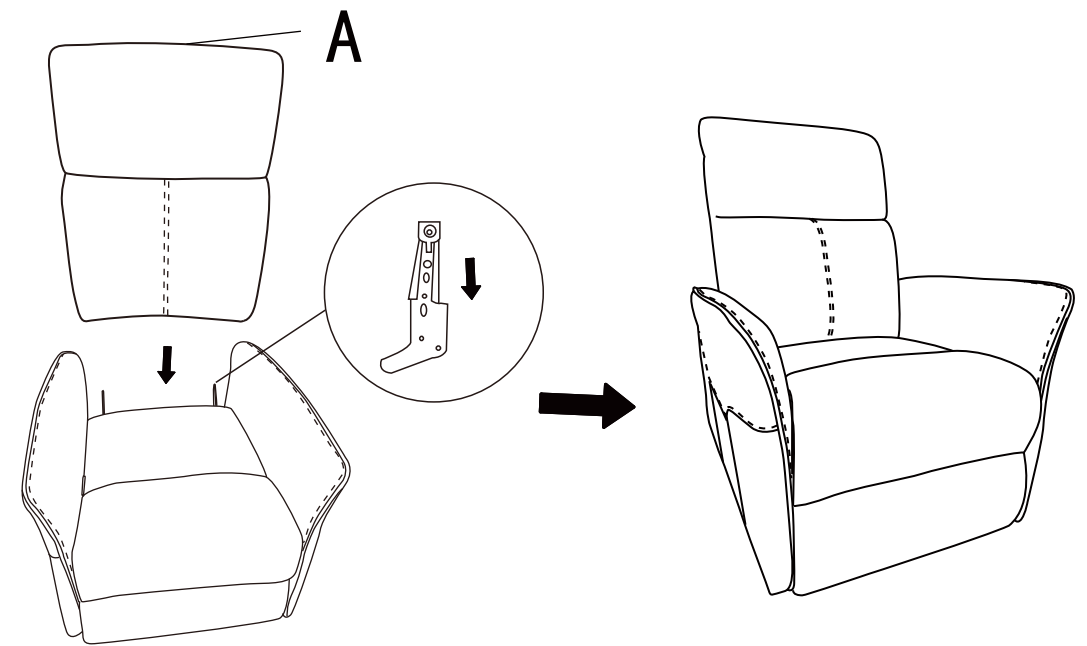
3



Lista dei componenti

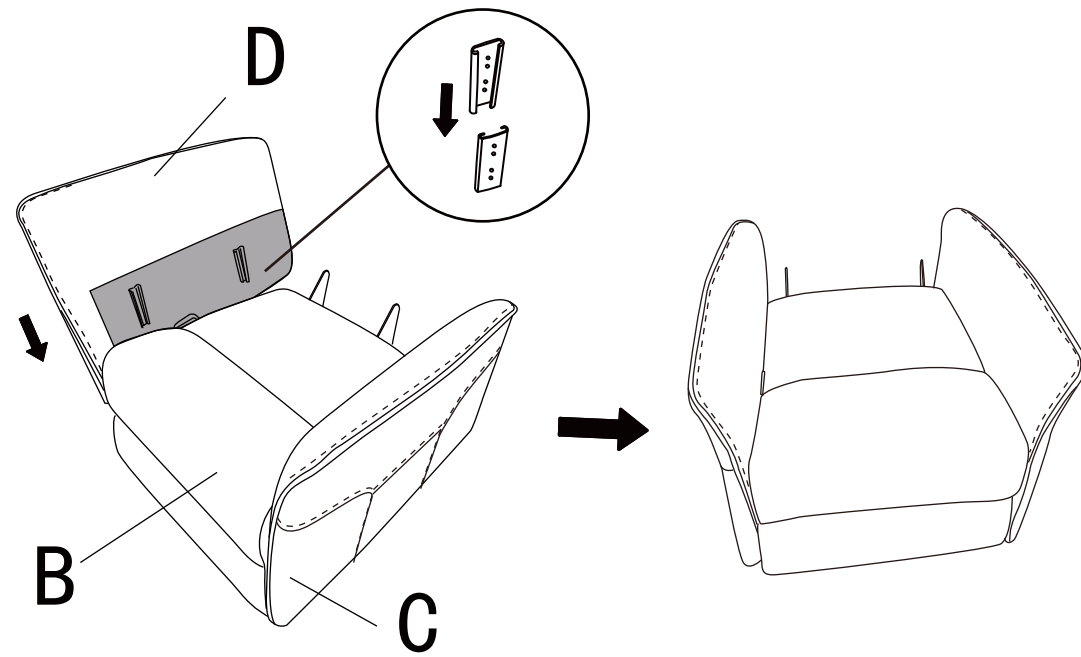


2

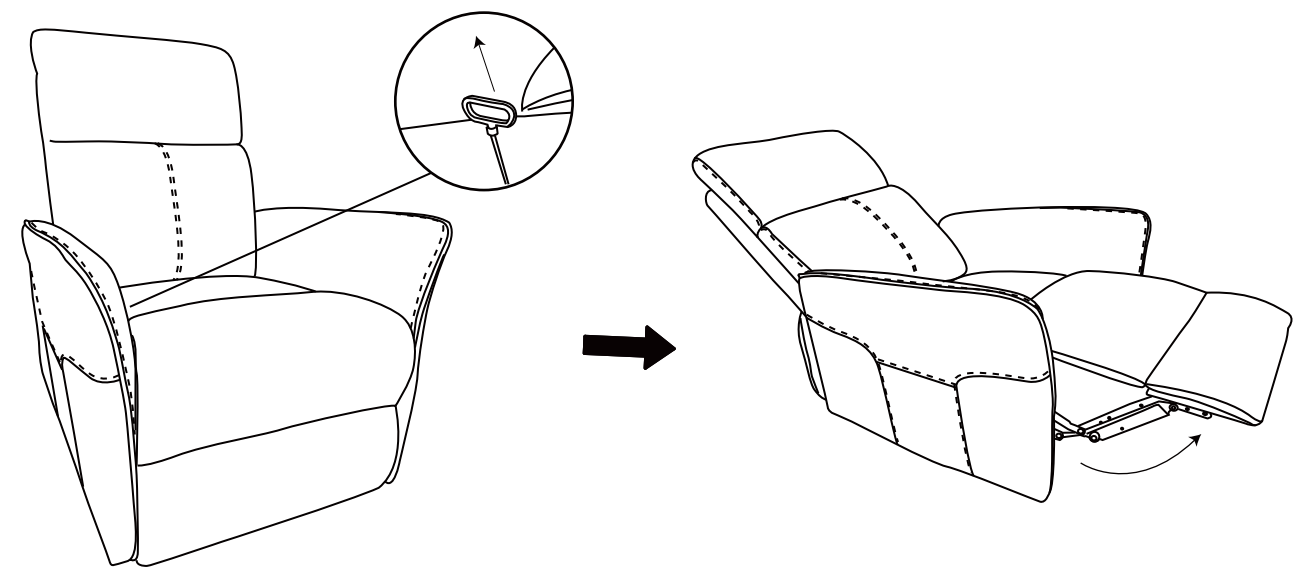


Guida all'Installazione

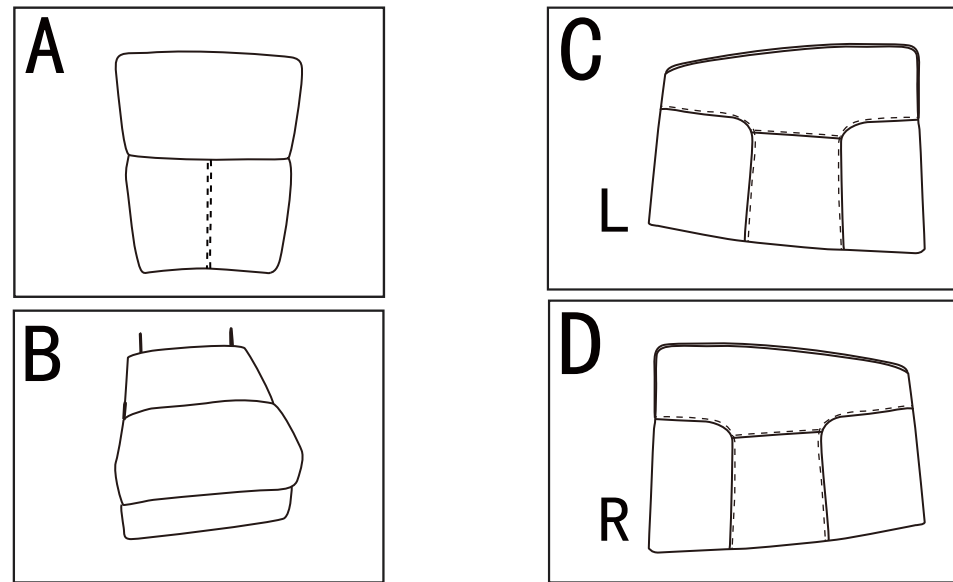
1



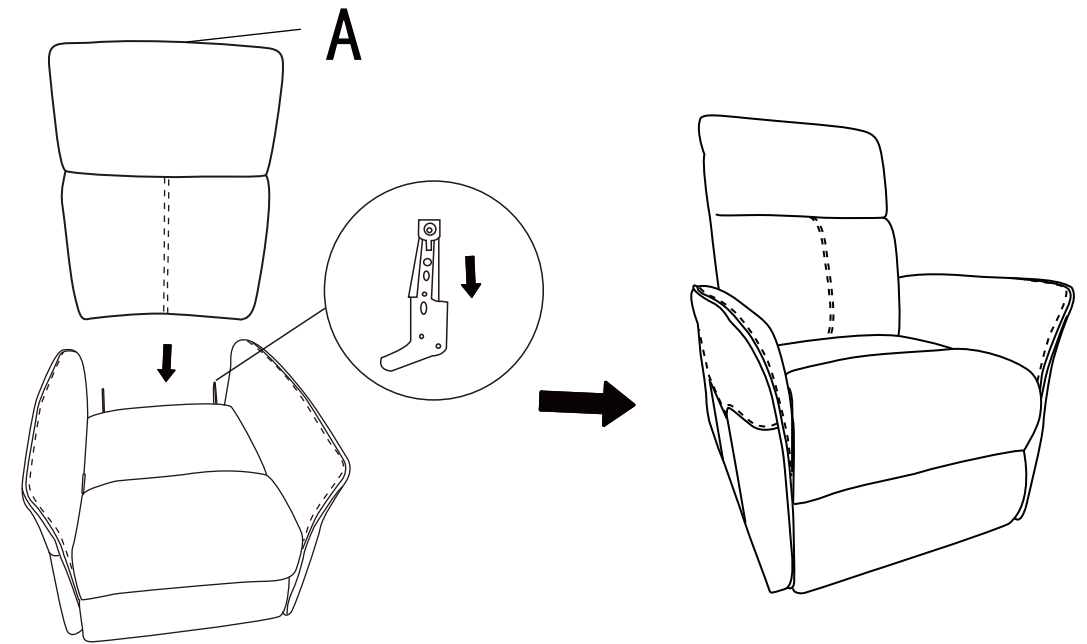
3



Lista de componentes

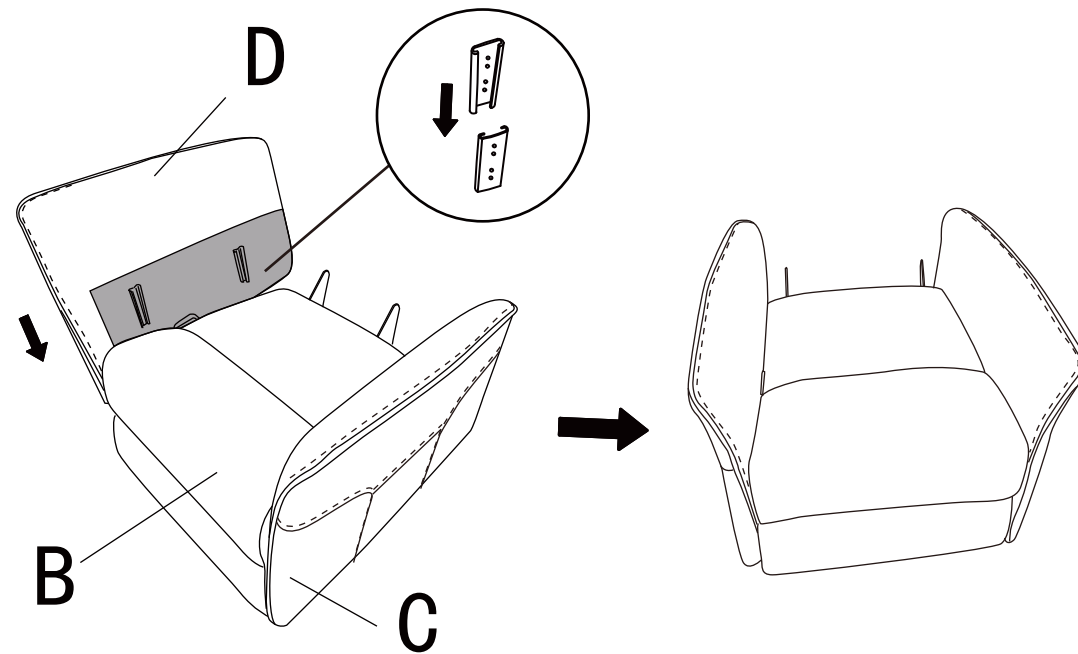


2

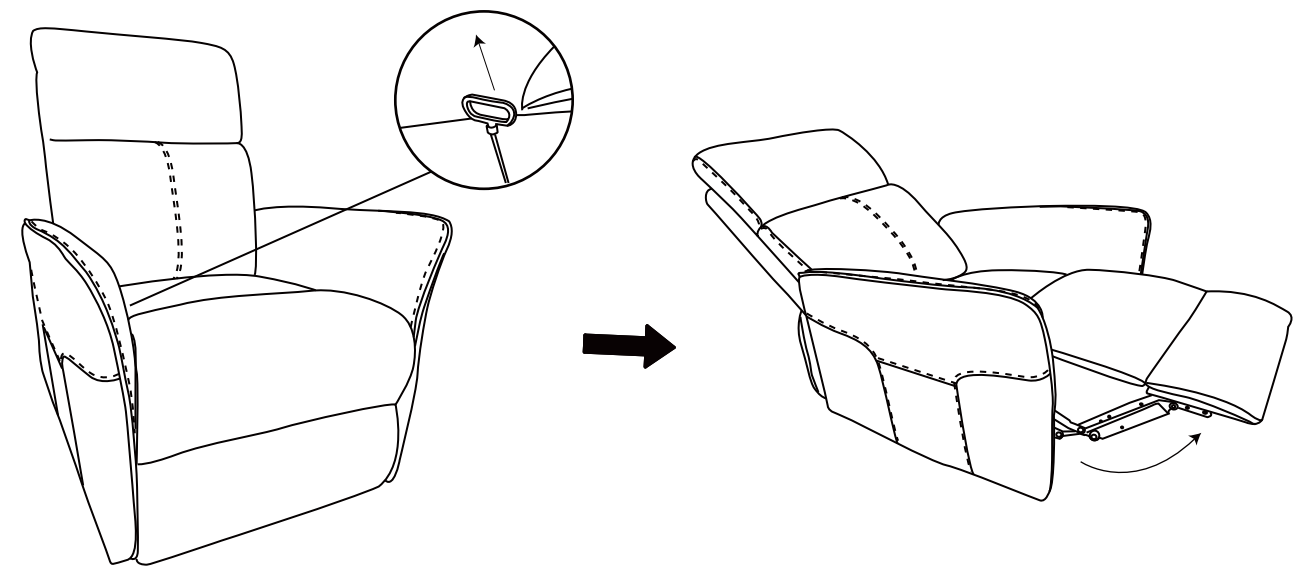


Guía de instalación

1



3



Manufacturer: Loctek Ergonomic Technology Corp.
Address: 588 Qihang South Road Binhai Industrial Zone, Yinzhou District Ningbo, Zhejiang 315145 P.R. China

Importer: Flexispot GmbH, Franz-Greiß-Straße 7, 50735 Köln, Deutschland