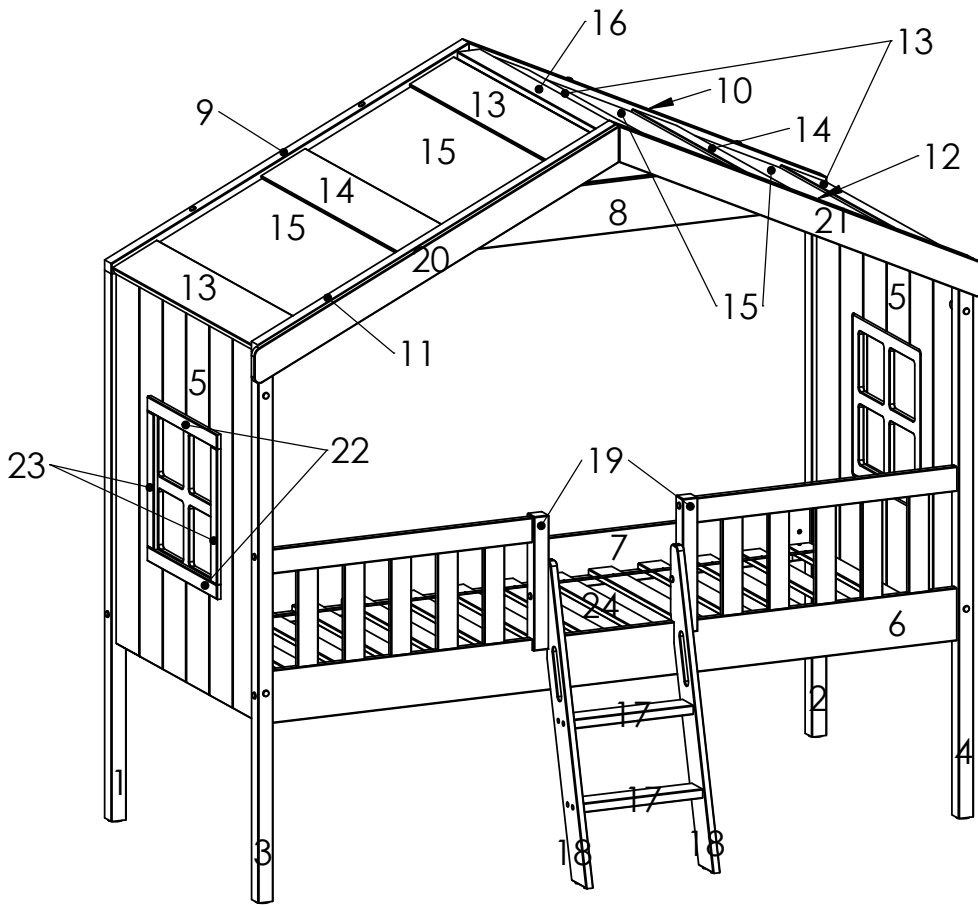
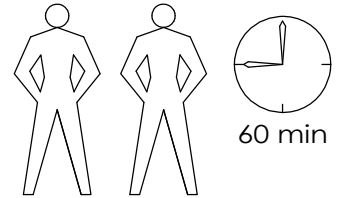
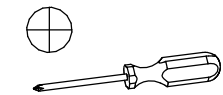
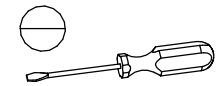
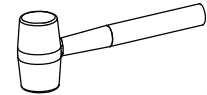




NS0328-0911



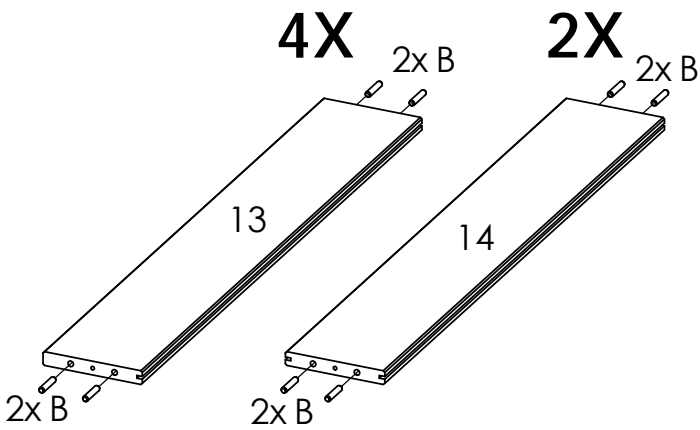
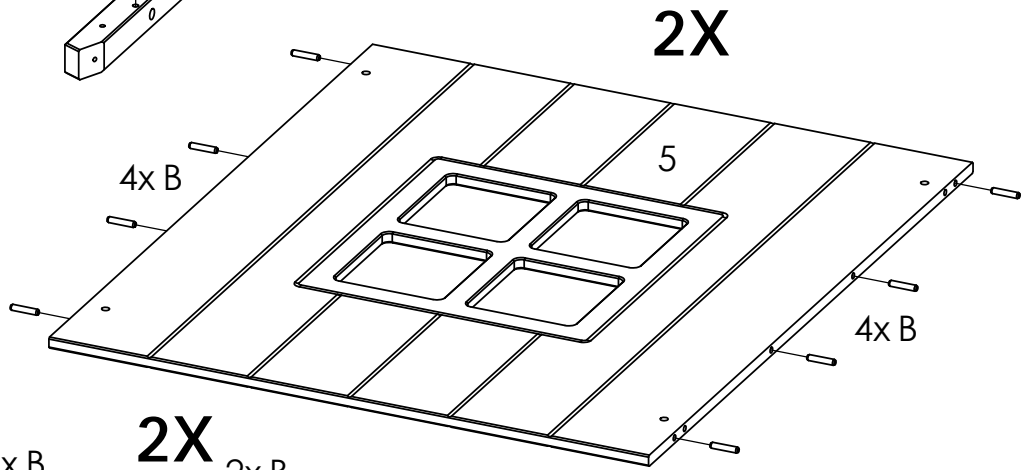
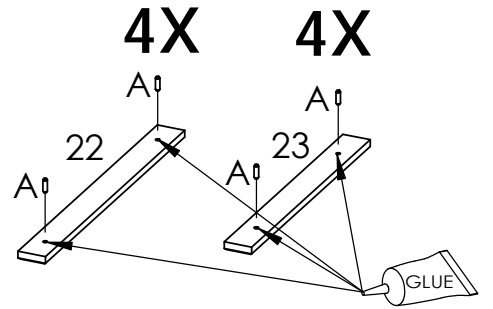
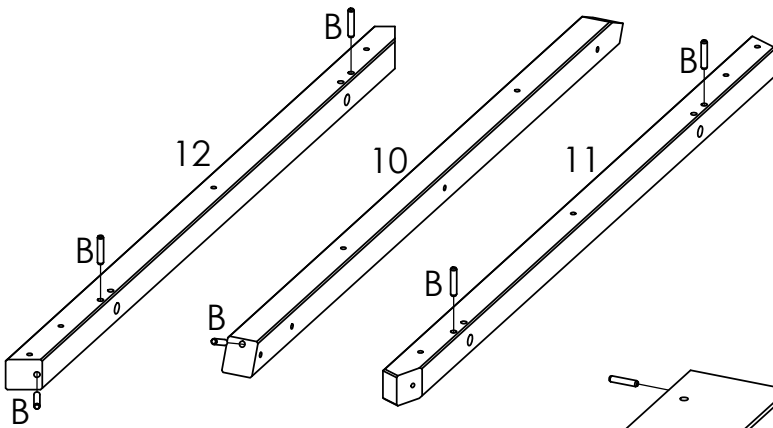
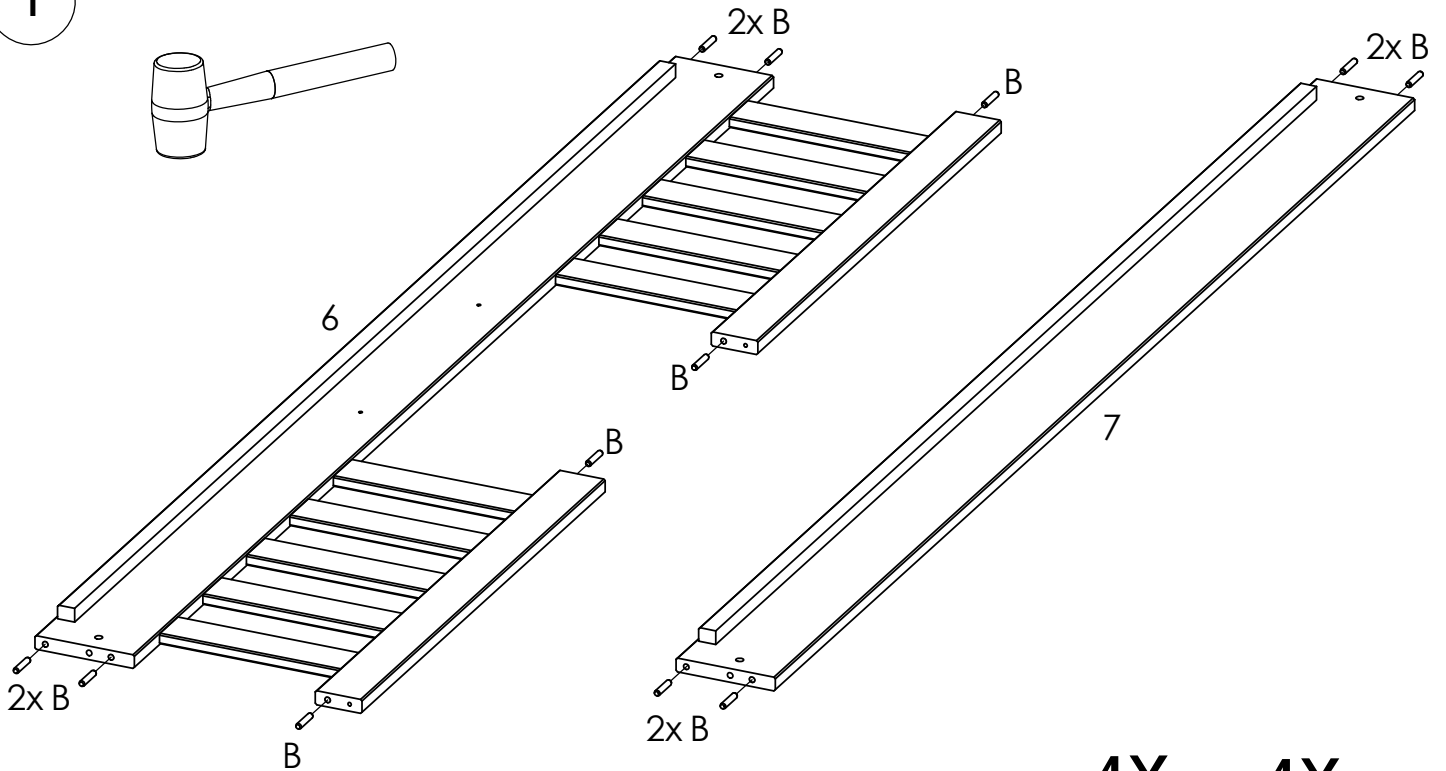
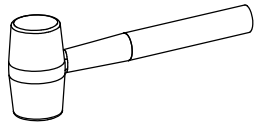
Tools needed (not supplied)

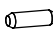
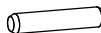


A		6X20	16
B		8X40	59
C		7X50	8
D		7X70	16
E		57x12,5x5,5	2
F		6,3X80	4
G		M6X8X15X15	2
H		M6X55	2
J		M6X80	16
K		M6X10X13	16
L		M10X12	4
M		D15x19	4
N		D9,8X37X60	4

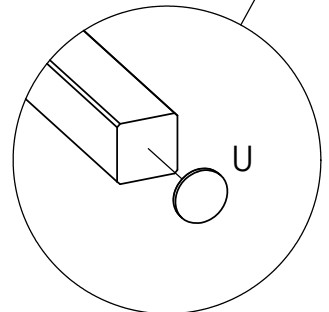
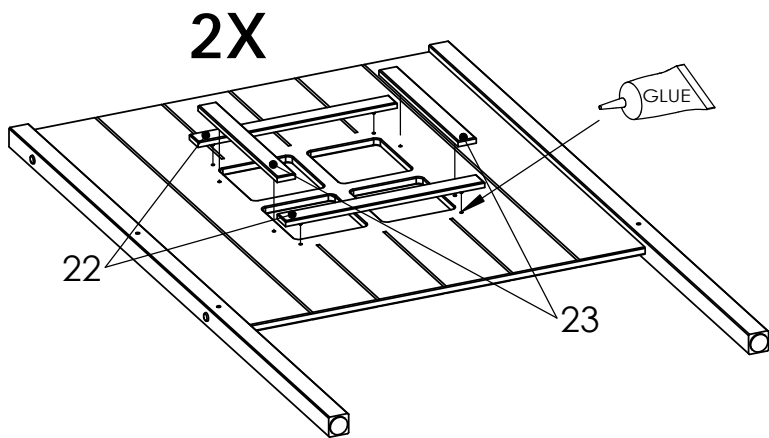
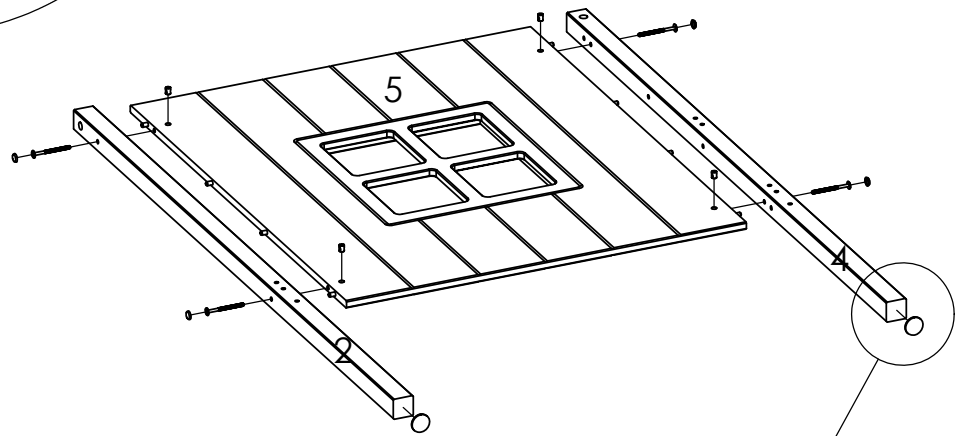
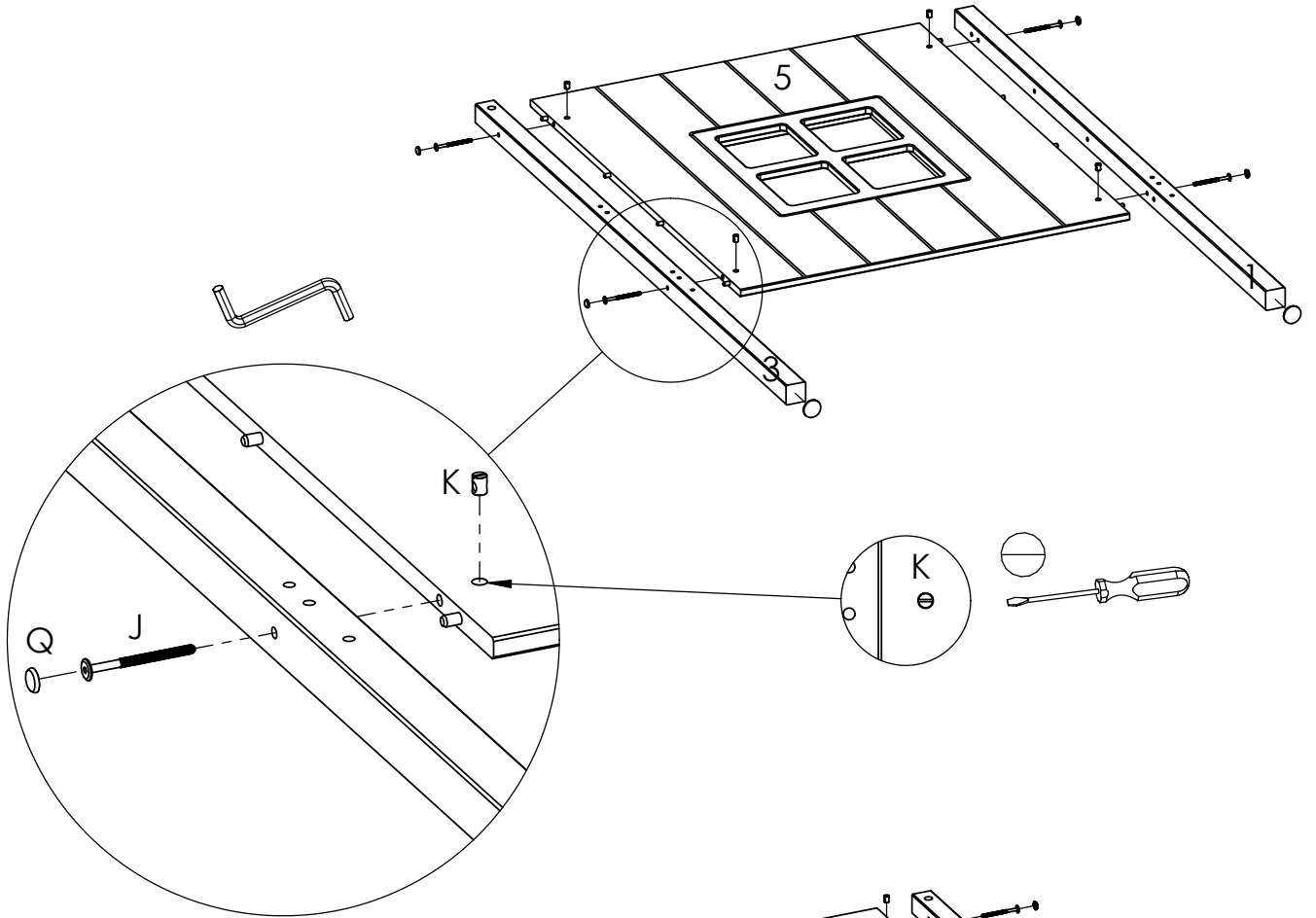
P		3,5X40	6
Q		D15X18	24
R		D4X13	16
S		D20	18
T		D17X3	4
U		D38X3	4
V		4mm	2
W		6,1X24X35	4
Y		15X12	4
Z		7x60	1
Aa		D14x13,5	2
Ba		M8x8	2
		Glue	1



1





A		6X20	16
B		8X40	58

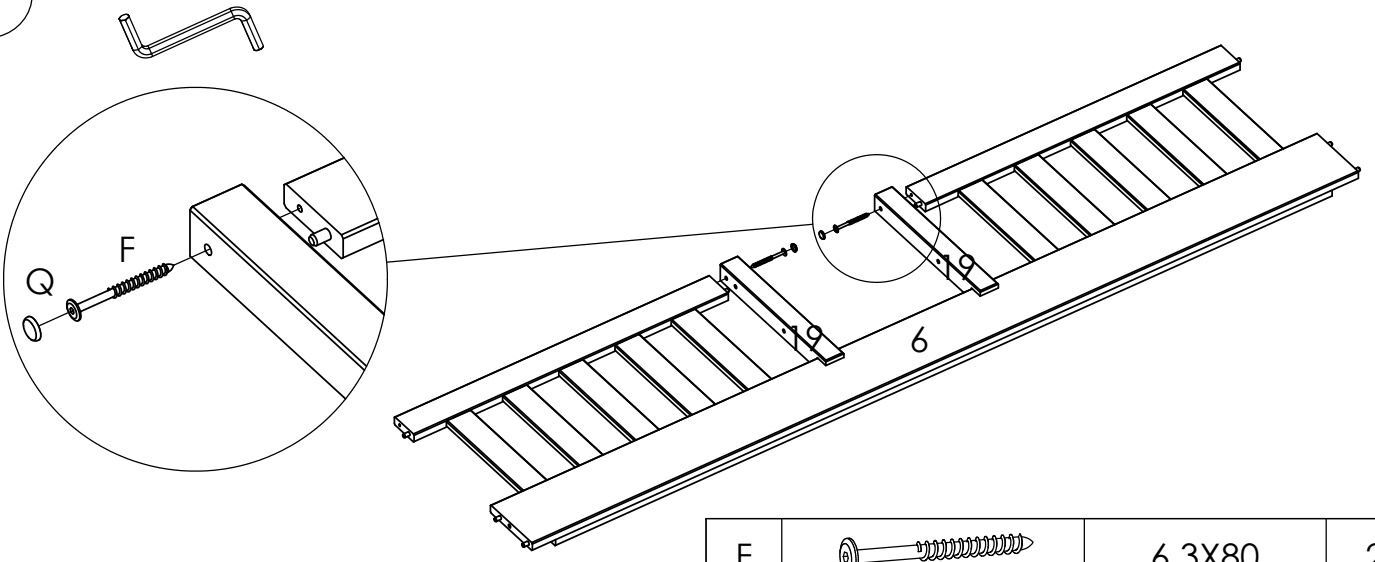
2

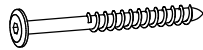



J		M6X80	8
K		M6X10X13	8

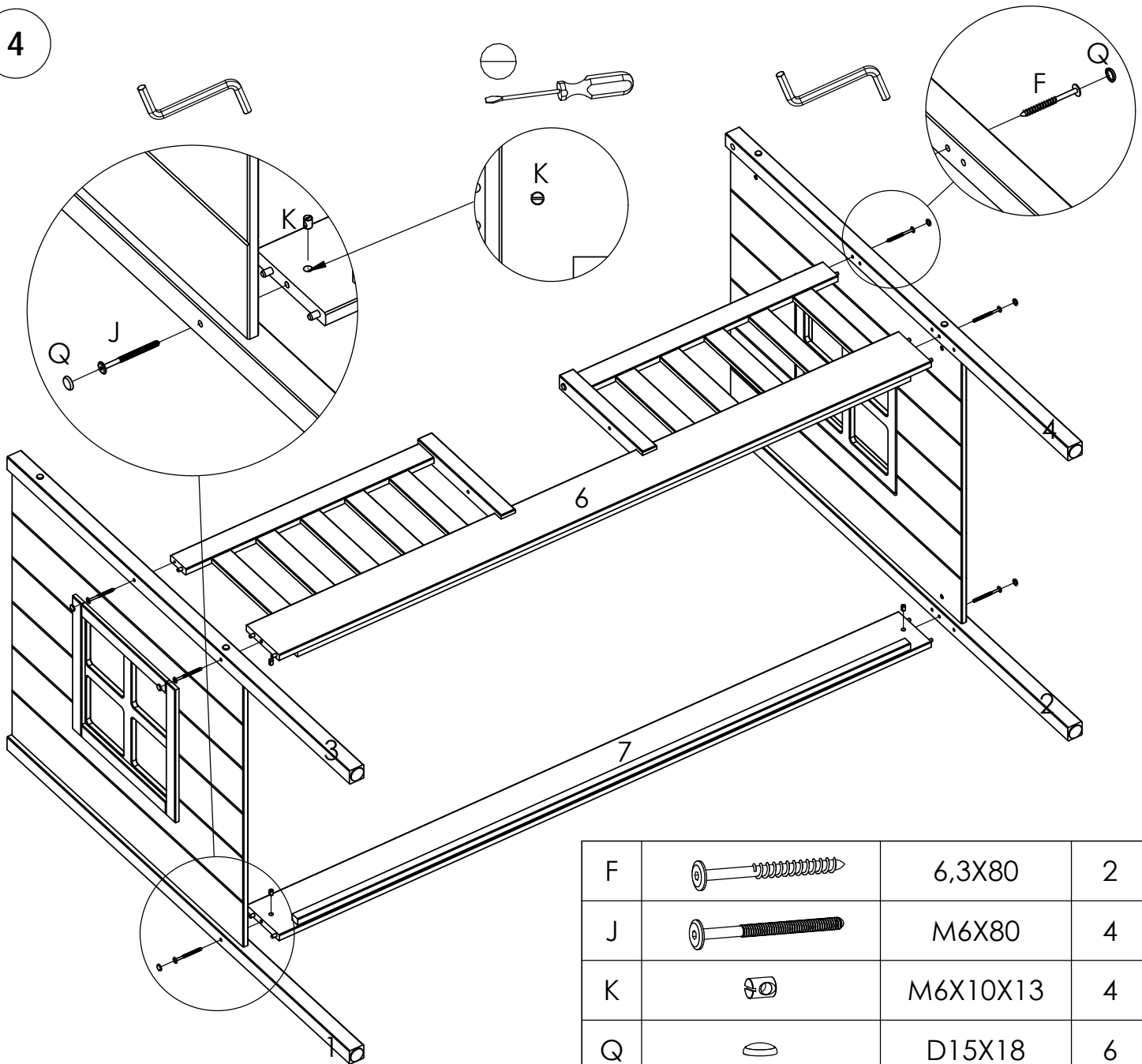
Q		D15X18	8
U		D38X3	4





3



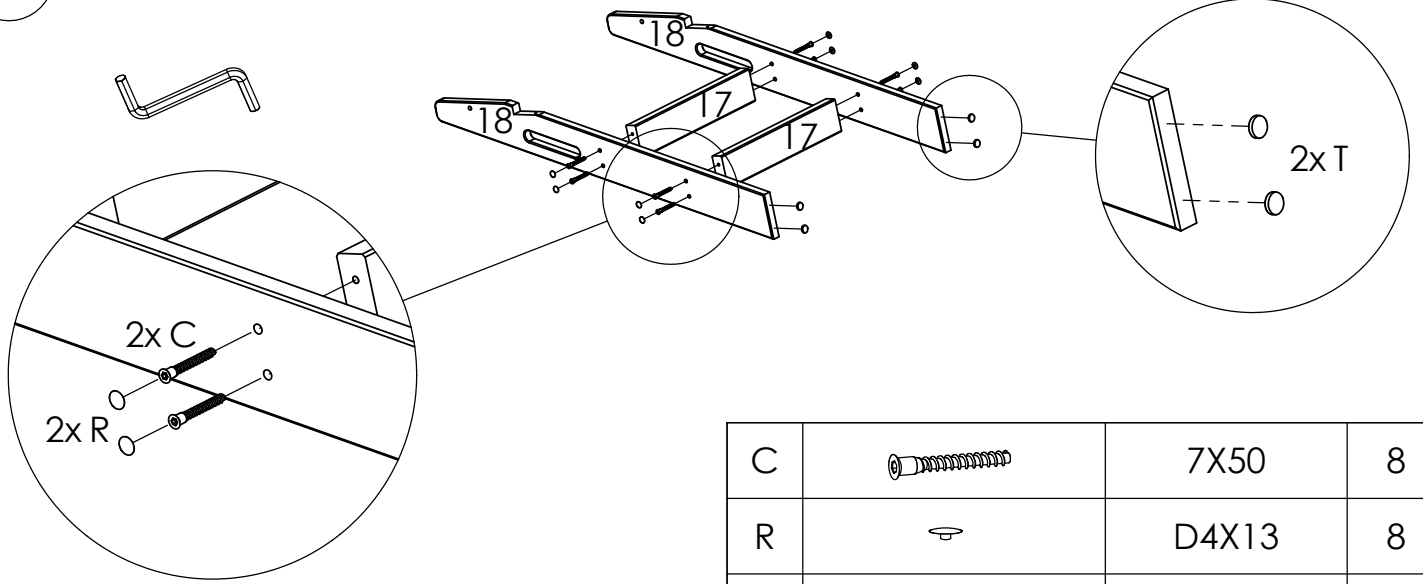
F		6,3X80	2
Q		D15X18	2

4



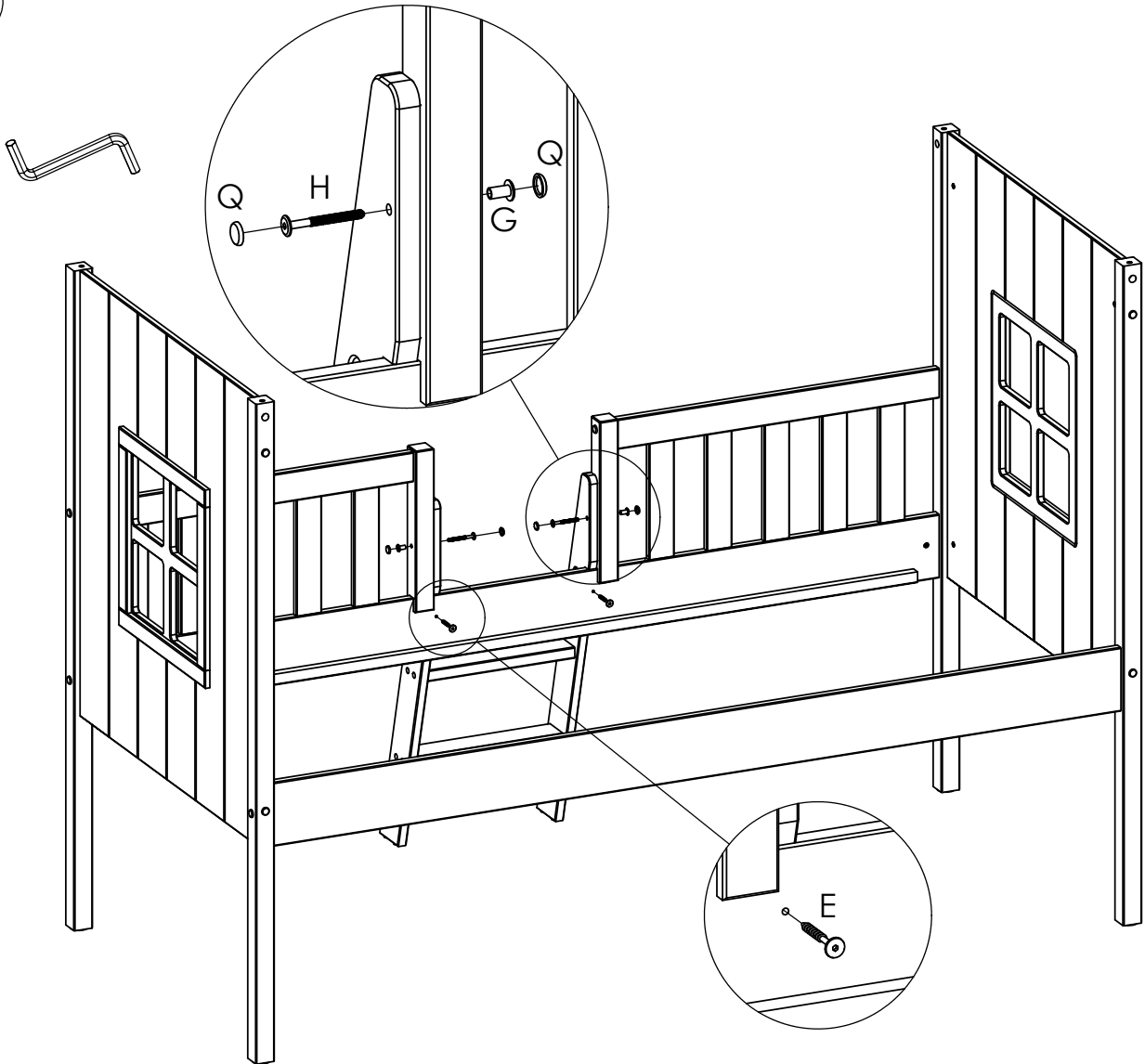
F		6,3X80	2
J		M6X80	4
K		M6X10X13	4
Q		D15X18	6

5



C		7X50	8
R		D4X13	8
T		D17X3	4

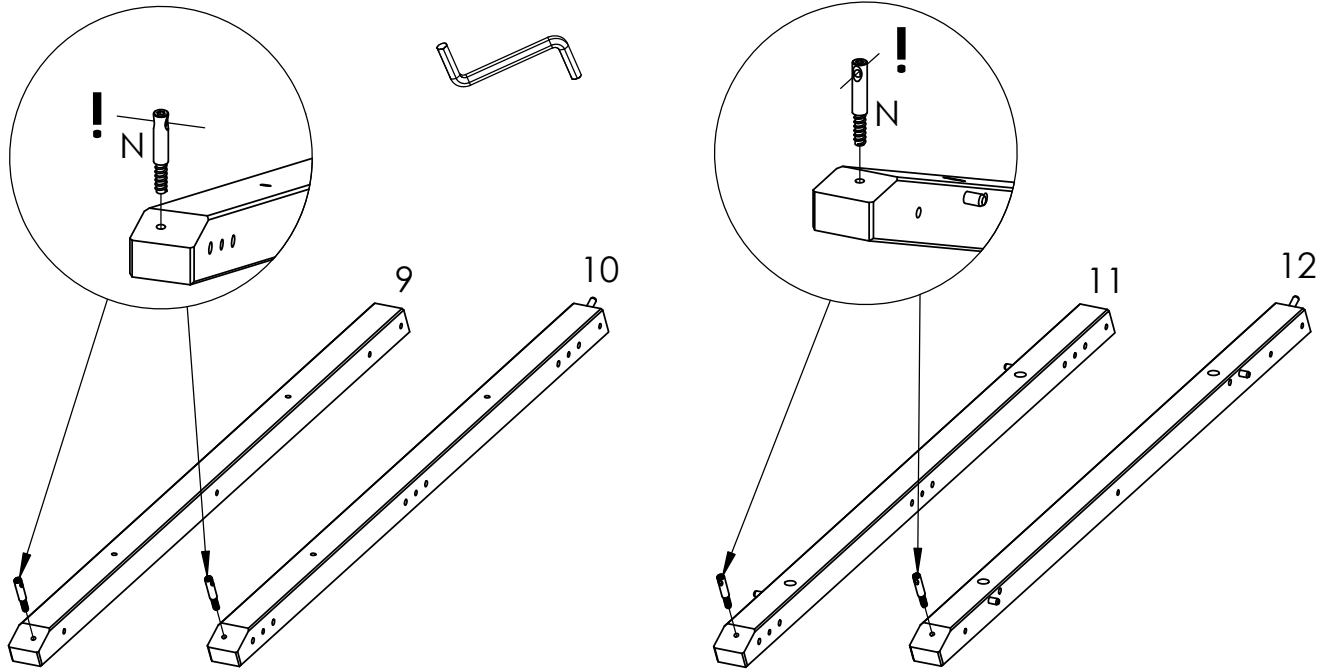
6




E		57x12,5x5,5	2
G		M6X8X15X15	2

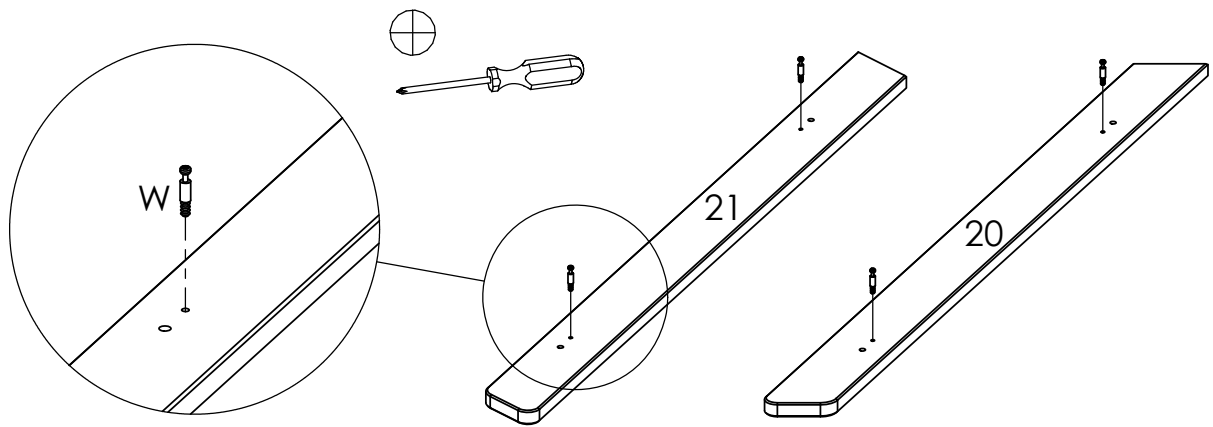
H		M6X55	2
Q		D15X18	4

7

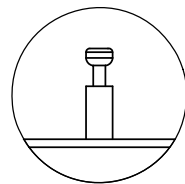
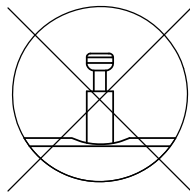
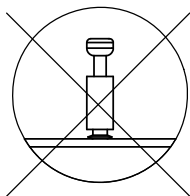


N		D9,8X37X60	4
---	---	------------	---

8

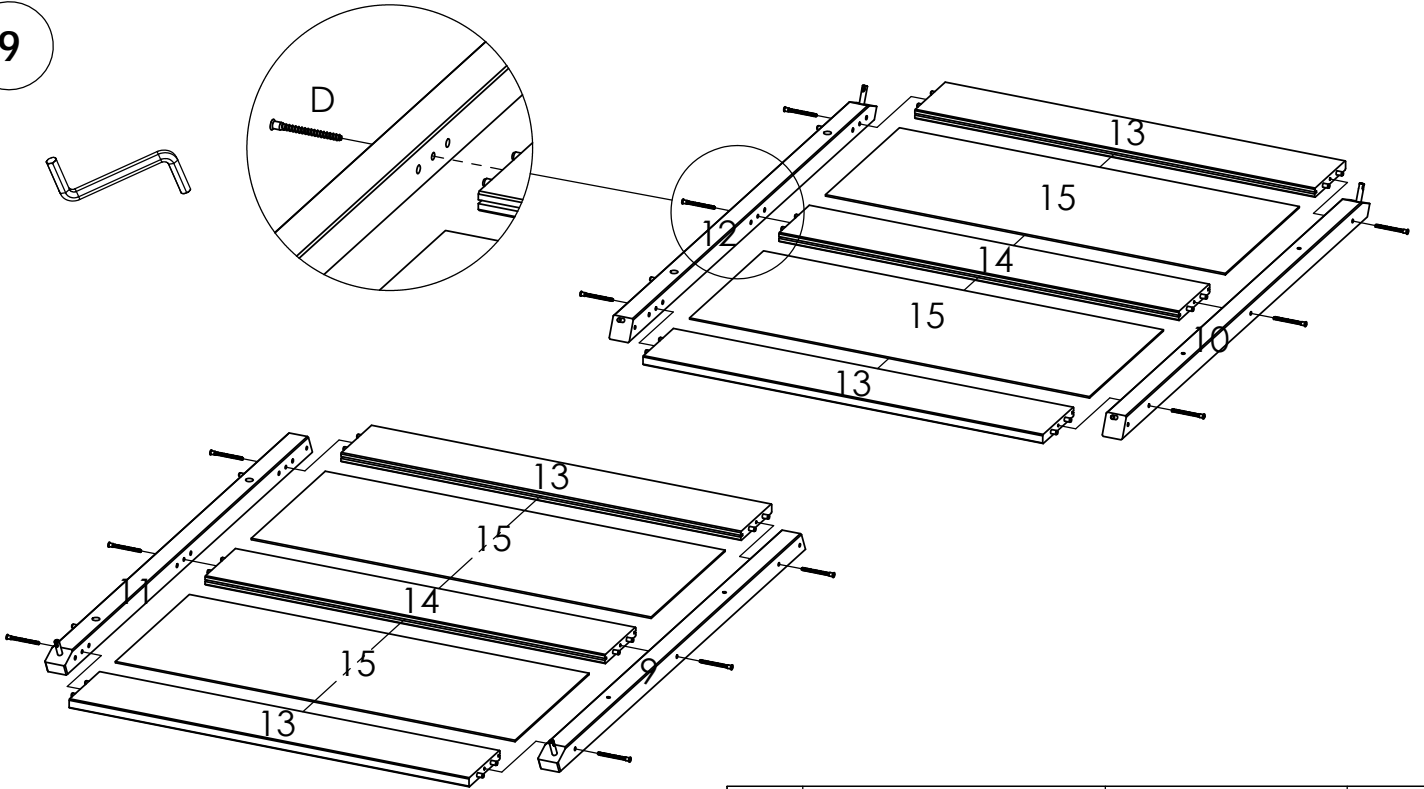



OK!



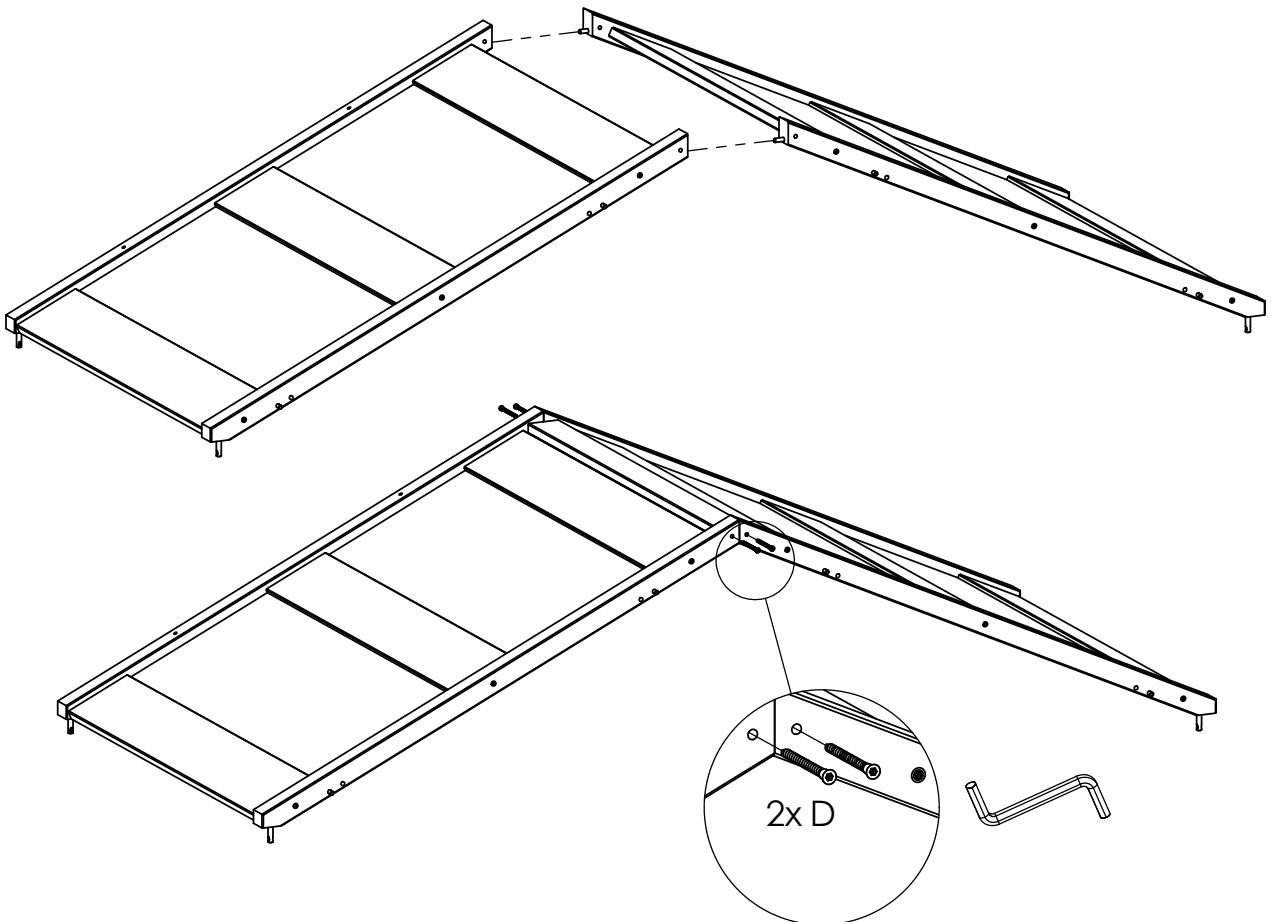
W		6,1X24X35	4
---	---	-----------	---


9



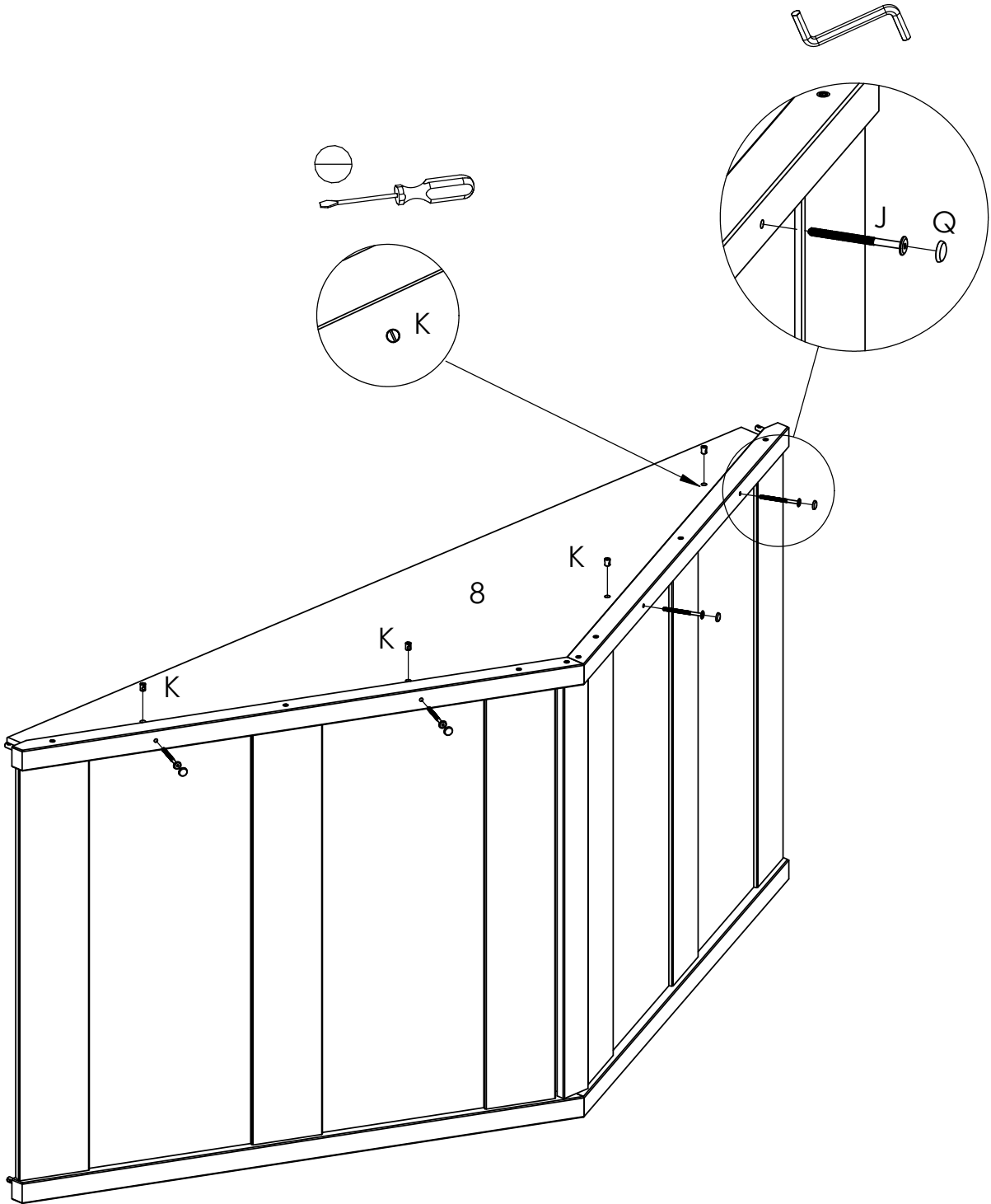
D		7X70	12
---	--	------	----

10



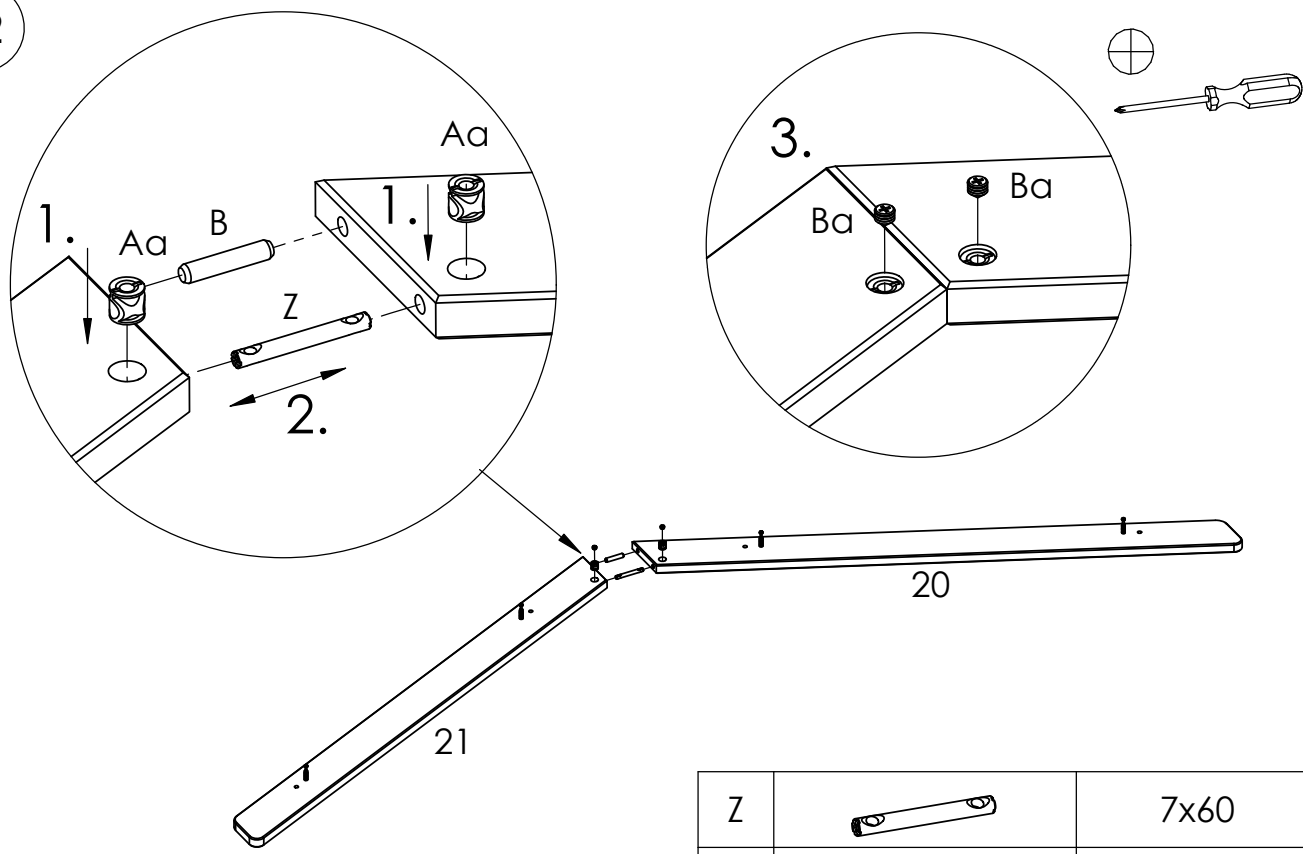
D		7X70	4
---	--	------	---




11



J		M6X80	4
K		M6X10X13	4
Q		D15X18	4

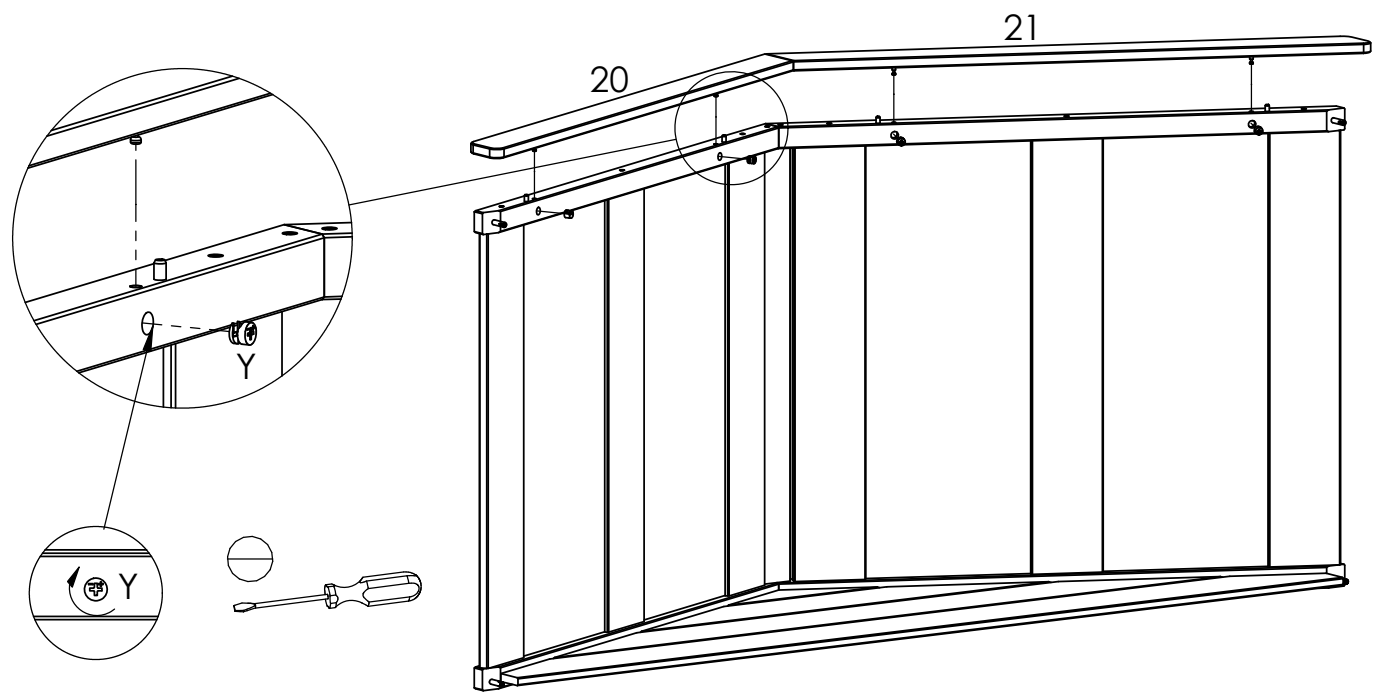
12




Z		7x60	1
Aa		D14x13,5	2
Ba		M8x8	2

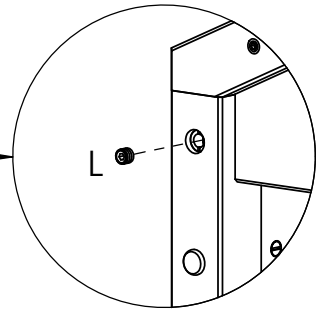
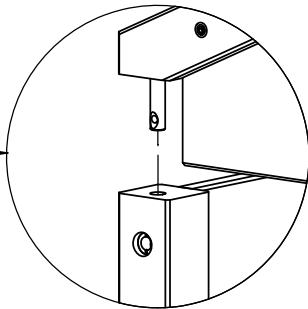
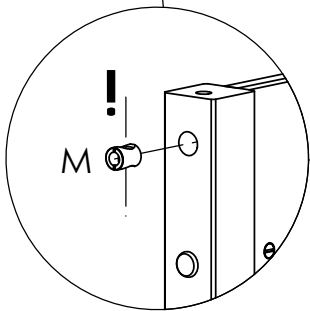
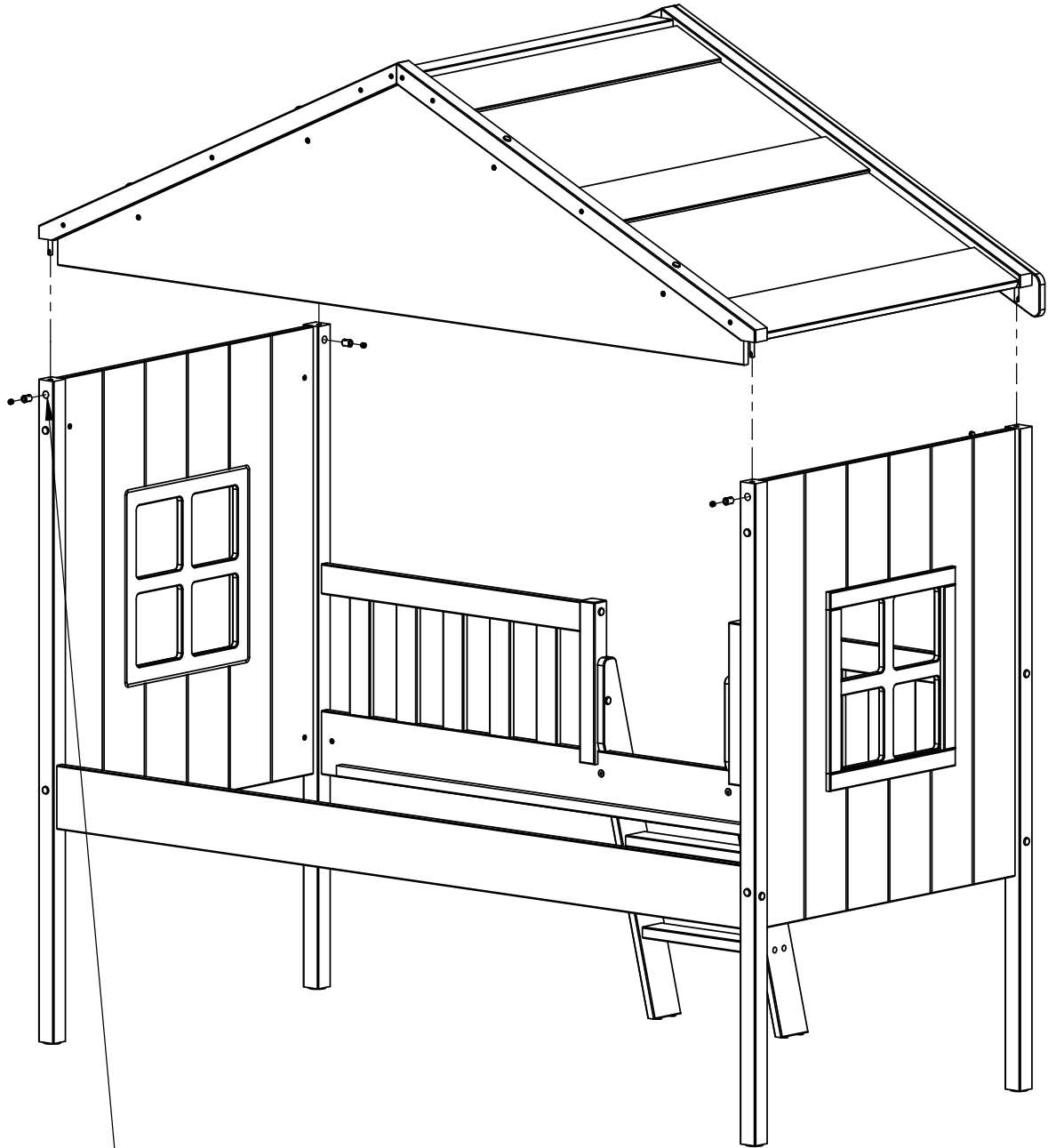
B		8x40	1
---	---	------	---



13



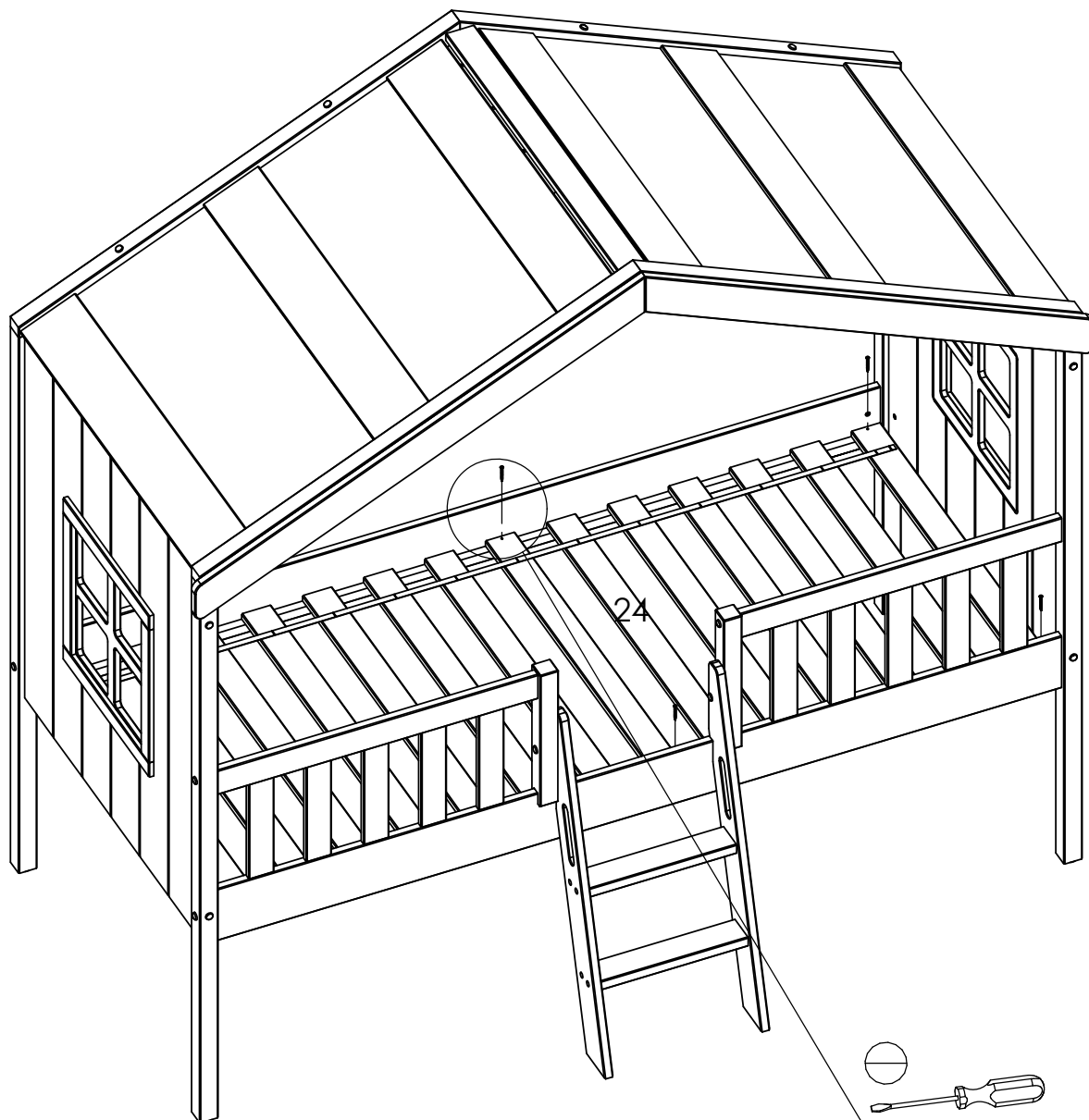
Y		15x12	4
---	---	-------	---

14



L		M10X12	4
M		D15x19	4

15



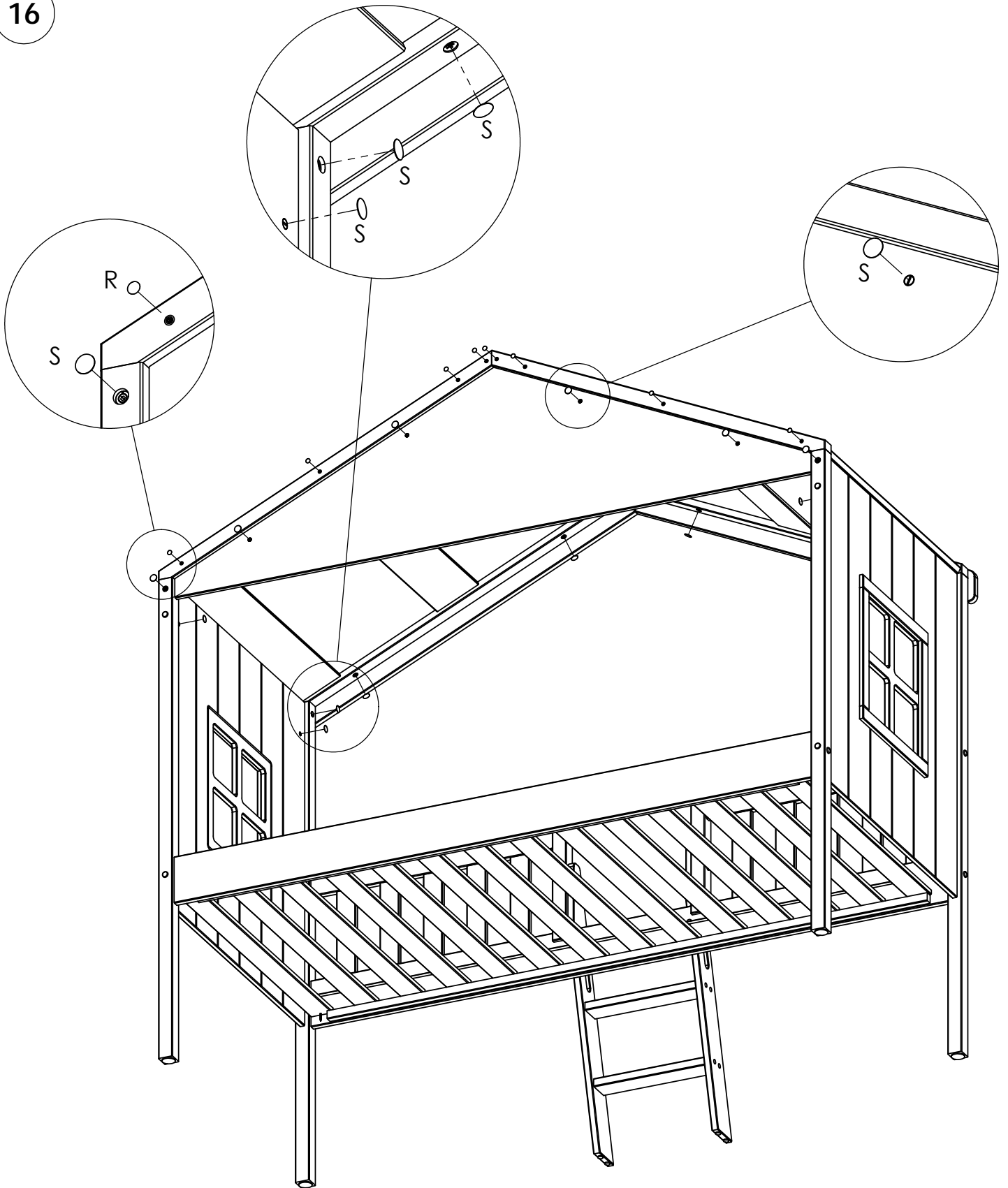
P



3,5X40

6

16



R		D4X13	8
S		D20	18