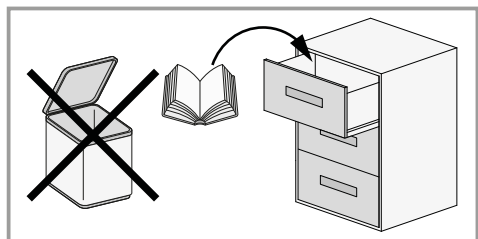
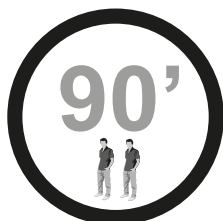
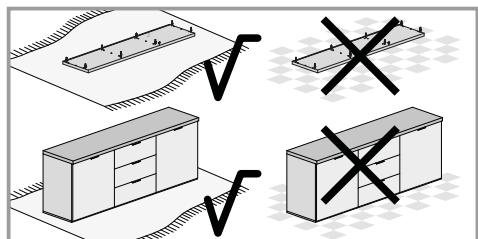
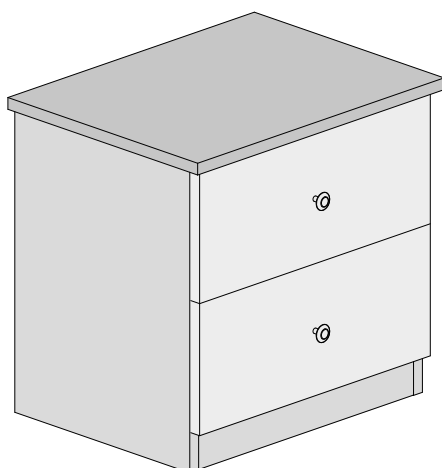


Nachttisch



Alice
Elena
Greta



ALICE SCHWARZ

Nr. 1x1 (XP_CTDGXFI4-308) 467x355x18
Nr. 2x1 (XP_CTDGXFI3-308) 467x355x18
Nr. 3x1 (XP_CTDGXZD2-308) 436x61x18
Nr. 4x1 (XP_CTDGXBD1-OFK) 436x355x18
Nr. 5x1 (XP_CODGAKD1-308) 500x385x18
Nr. 6x1 (XP_SCDGX02-FAG) 404x452x3
Nr. 7x2 (XP_SNP11534-FAG) 411x300x115
Nr. 8x2 (XP_FNDGX01-FAG) 398x301x3
Nr.9Ax1 (XP_CFDGACD1-NGL) 468x199x18
Nr.9Bx1 (XP_CFDGACD2-NGL) 468x199x18

ELENA BEIGE

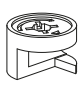
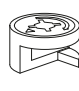

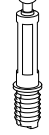
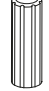

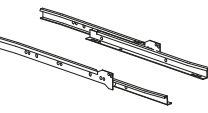


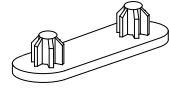
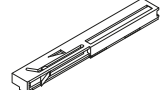

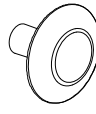
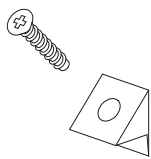
Nr. 1x1 (XP_CTDGXFI4-XP7) 467x355x18
Nr. 2x1 (XP_CTDGXFI3-XP7) 467x355x18
Nr. 3x1 (XP_CTDGXZD2-XP7) 436x61x18
Nr. 4x1 (XP_CTDGXBD1-OFK) 436x355x18
Nr. 5x1 (XP_CODGEKD1-XP7) 500x385x18
Nr. 6x1 (XP_SCDGX02-FAG) 404x452x3
Nr. 7x2 (XP_SNP11534-FAG) 411x300x115
Nr. 8x2 (XP_FNDGX01-FAG) 398x301x3
Nr.9Ax1 (XP_CODGECD1-XP7) 468x199x18
Nr.9Bx1 (XP_CODGECD2-XP7) 468x199x18

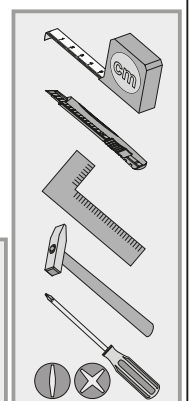
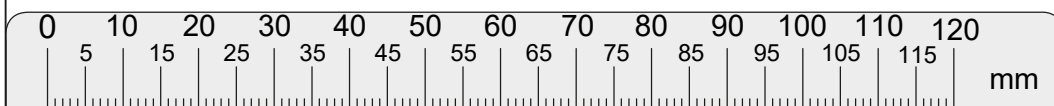
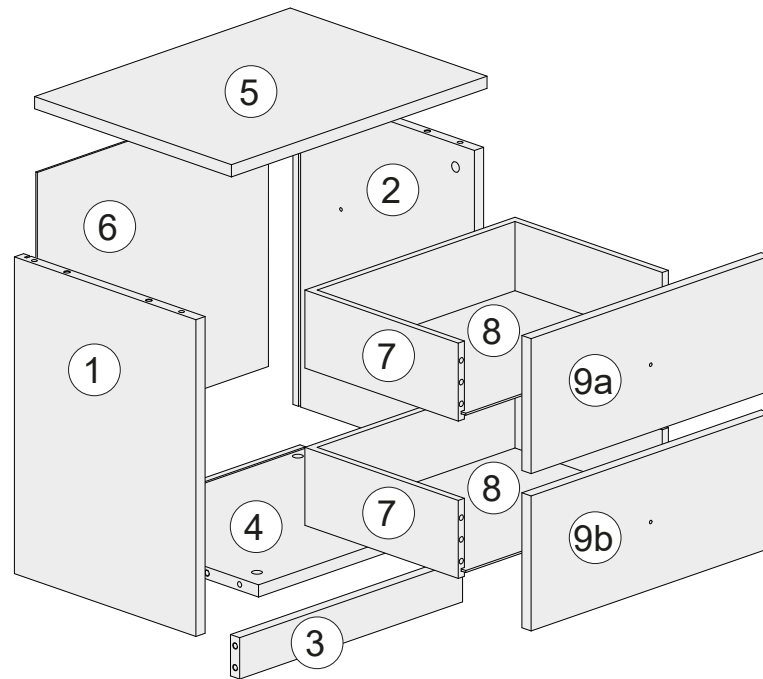
ELENA NUSSBAUM

Nr. 1x1 (XP_CTDGXFI4-XF7) 467x355x18
Nr. 2x1 (XP_CTDGXFI3-XF7) 467x355x18
Nr. 3x1 (XP_CTDGXZD2-XF7) 436x61x18
Nr. 4x1 (XP_CTDGXBD1-OFK) 436x355x18
Nr. 5x1 (XP_CODGEKD1-XF7) 500x385x18
Nr. 6x1 (XP_SCDGX02-FAG) 404x452x3
Nr. 7x2 (XP_SNP11534-FAG) 411x300x115
Nr. 8x2 (XP_FNDGX01-FAG) 398x301x3
Nr. 9Ax1 (XP_CODGECD1-XF7) 468x199x18
Nr. 9Bx1 (XP_CODGECD2-XF7) 468x199x18

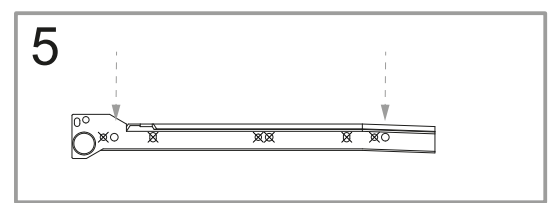
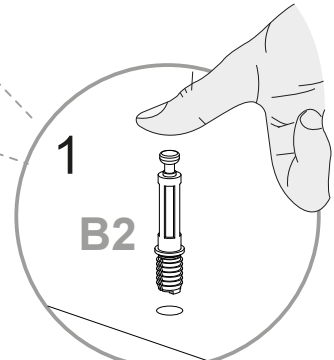
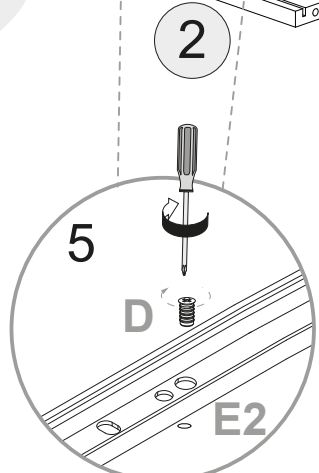
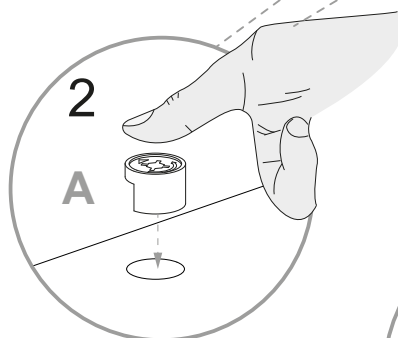
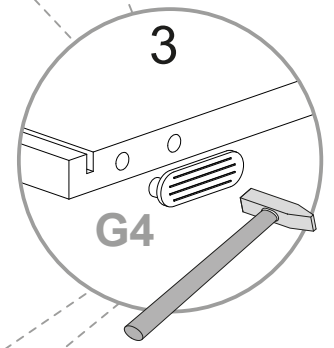
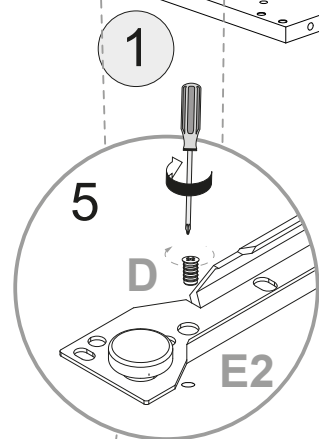
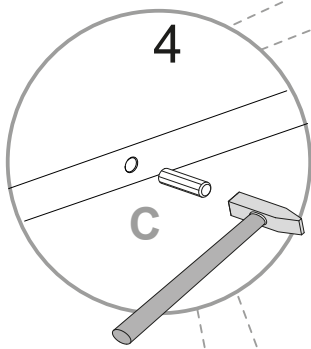
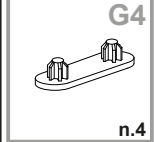
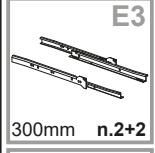
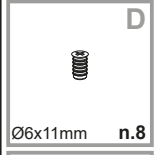
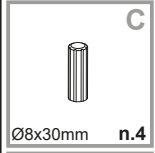
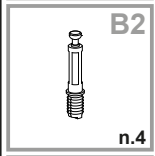
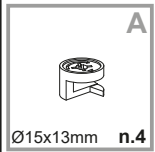
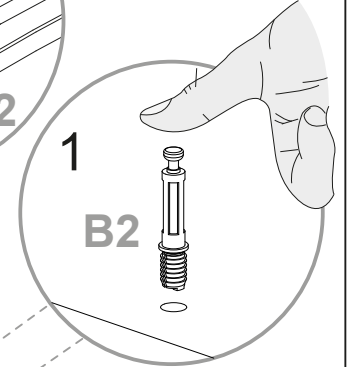
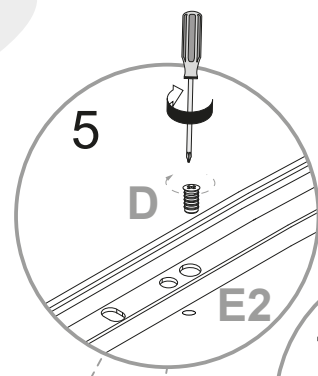
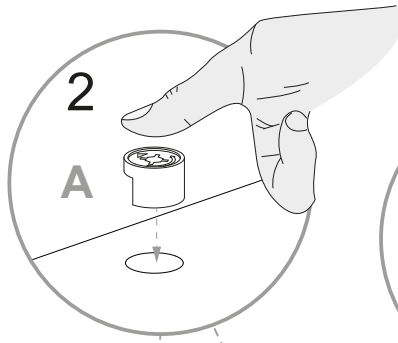
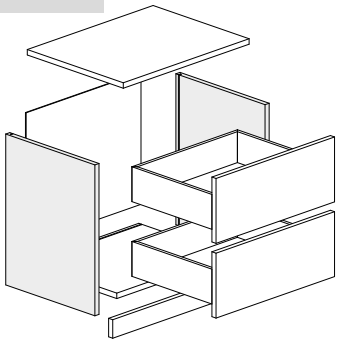
GRETA WEISS

Nr. 1x1 (XP_CTDGXFI4-235) 467x355x18
Nr. 2x1 (XP_CTDGXFI3-235) 467x355x18
Nr. 3x1 (XP_CTDGXZD1-CRO) 436x61x18
Nr. 4x1 (XP_CTDGXBD1-OFK) 436x355x18
Nr. 5x1 (XP_CODGRKD1-235) 500x385x18
Nr. 6x1 (XP_SCDGX02-FAG) 404x452x3
Nr. 7x2 (XP_SNP11534-FAG) 411x300x115
Nr. 8x2 (XP_FNDGX01-FAG) 398x301x3
Nr. 9Ax1 (XP_CFDGRCD1-235) 468x199x18
Nr. 9Bx1 (XP_CFDGRCD2-235) 468x199x18

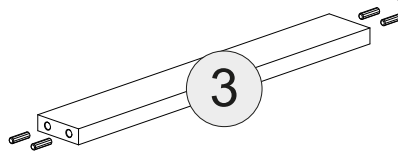
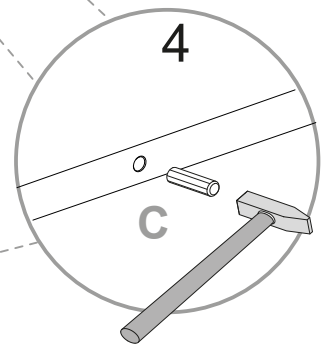
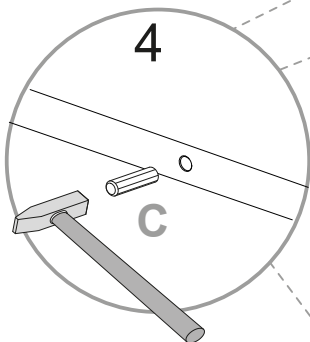
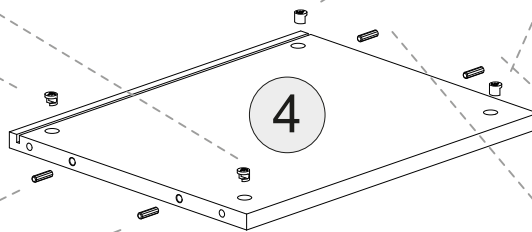
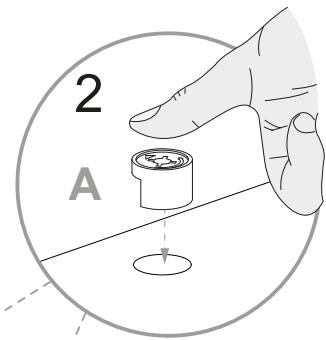
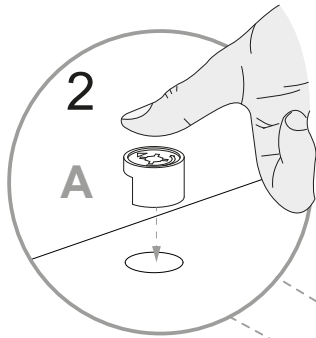
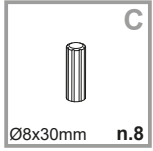
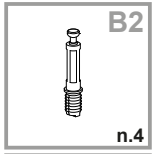
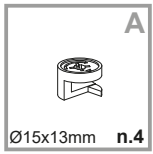
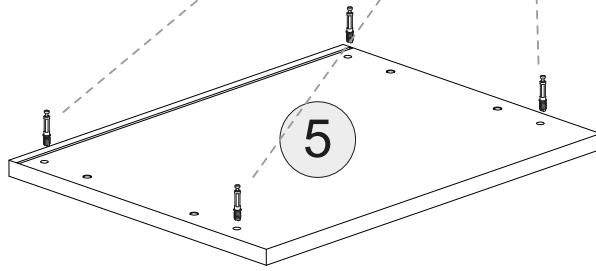
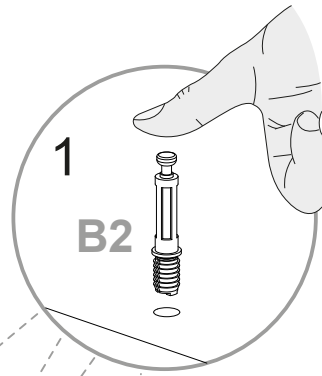
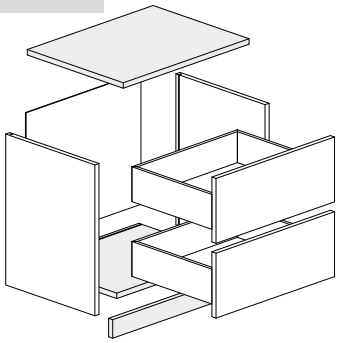
<p>A</p>  <p>Ø15x13mm n.8</p>	<p>A2</p>  <p>Ø15x10mm n.4</p>	<p>B</p>  <p>n.4</p>	<p>B2</p>  <p>n.8</p>	<p>C</p>  <p>Ø8x30mm n.12</p>	<p>D</p>  <p>Ø6x11mm n.8</p>
<p>E3</p>  <p>300mm n.2+2</p>	<p>F17</p>  <p>M4x22,5mm n.2</p>	<p>F19</p>  <p>Ø3x16mm n.8</p>	<p>G4</p>  <p>n.4</p>	<p>G7</p>  <p>n.2</p>	<p>L2</p>  <p>Ø20 n.4</p>
<p>L6</p>  <p>n.2</p>	<p>M</p>  <p>n.8</p>				



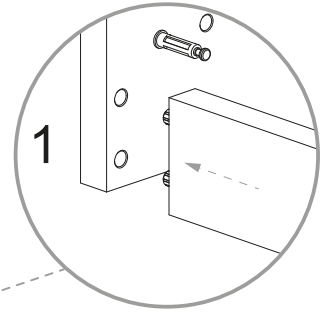
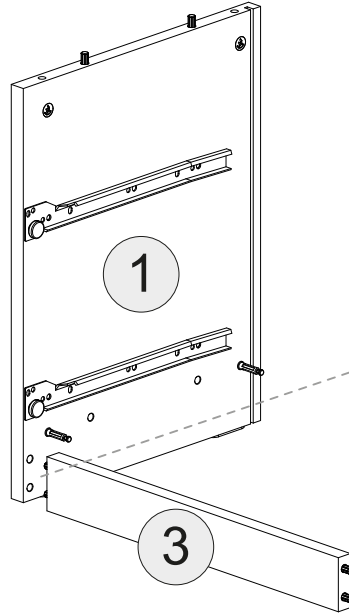
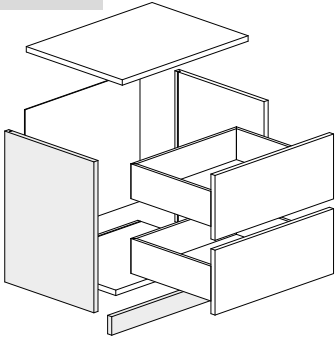
1



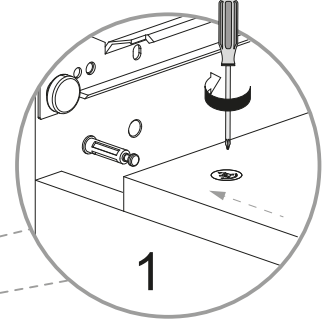
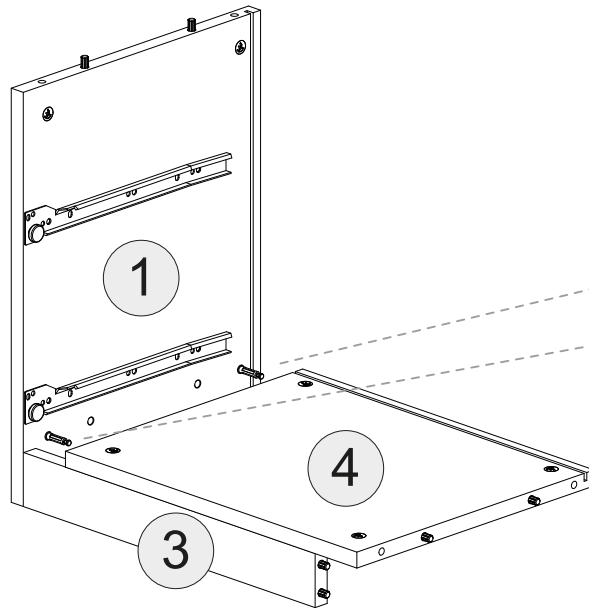
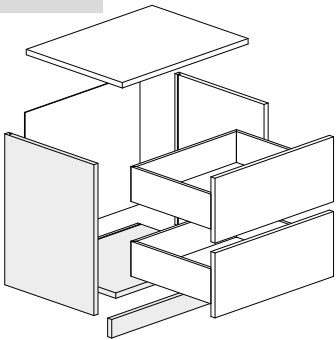
2



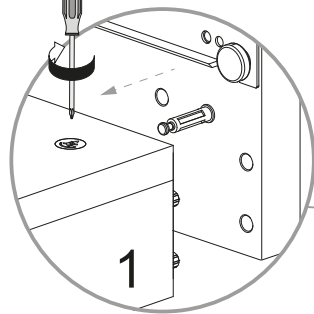
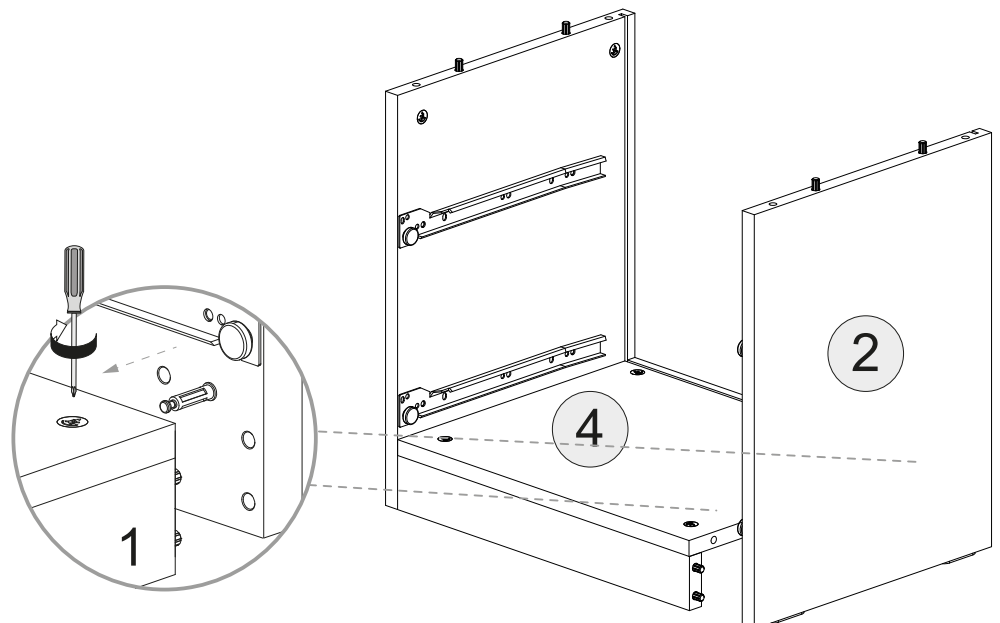
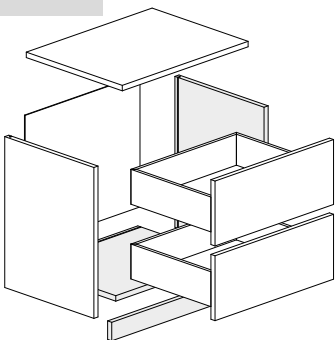
3



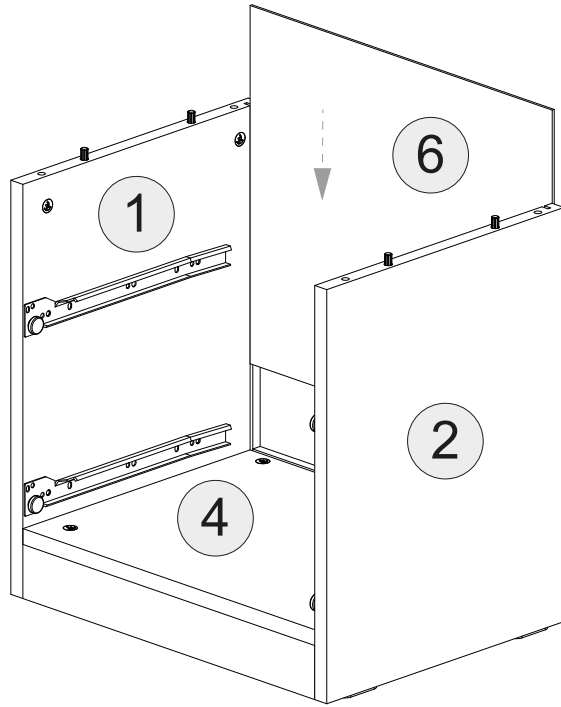
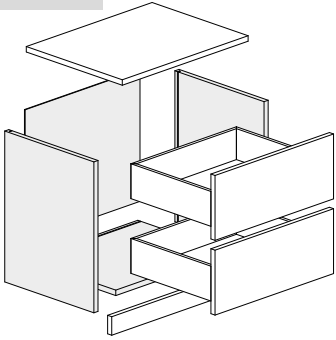
4



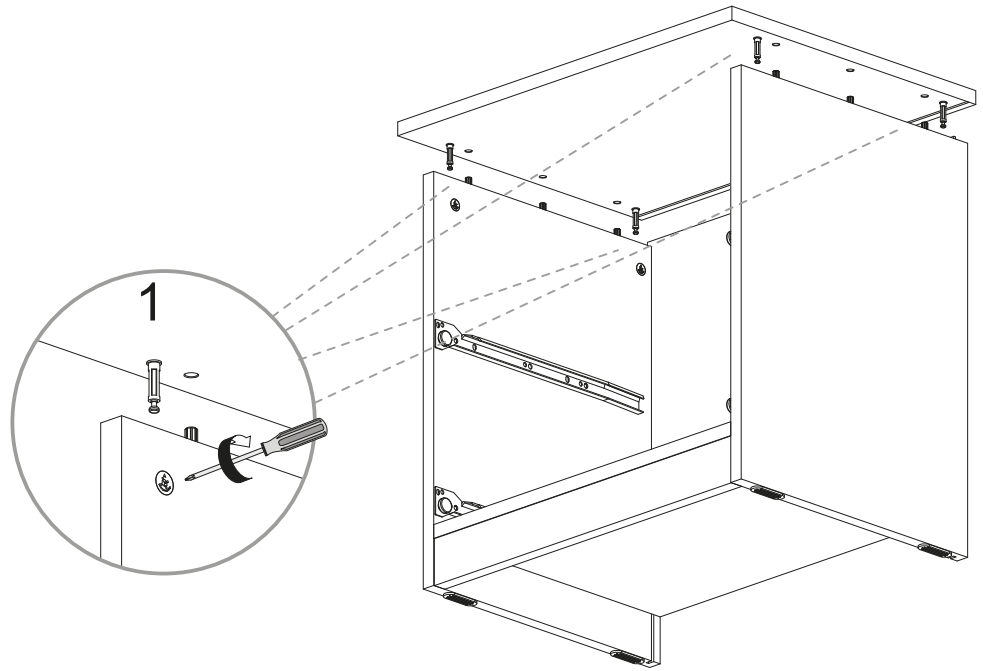
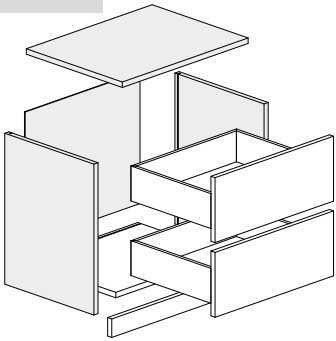
5



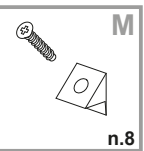
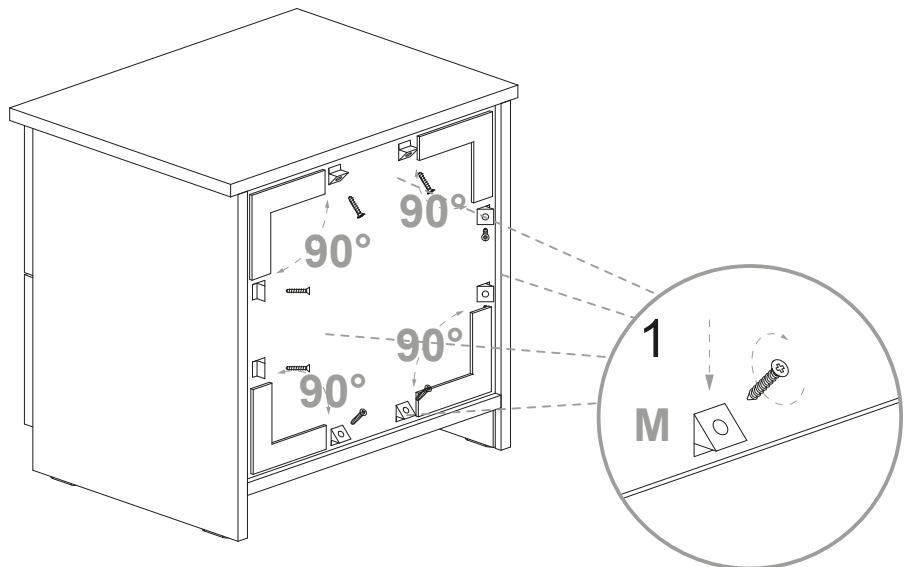
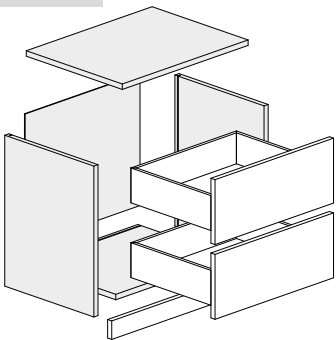
6



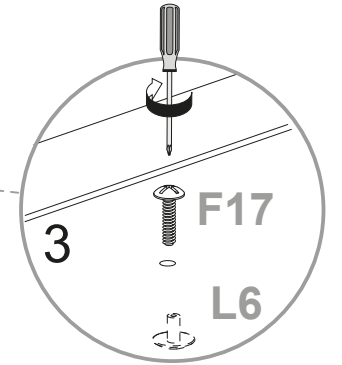
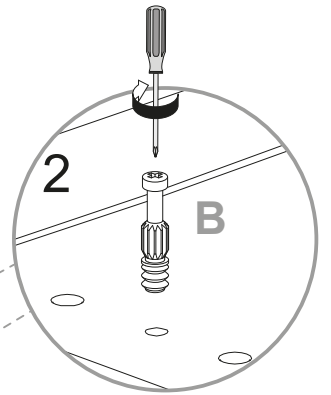
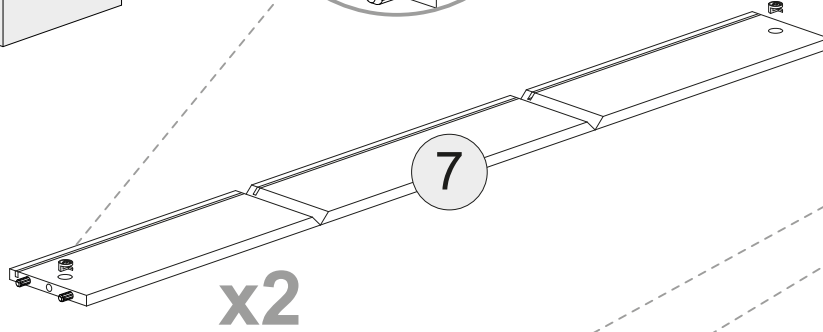
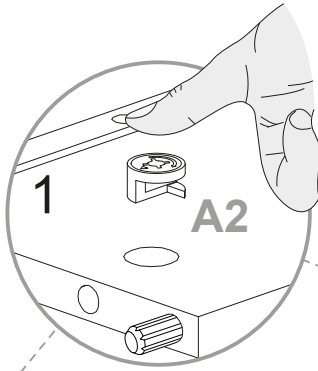
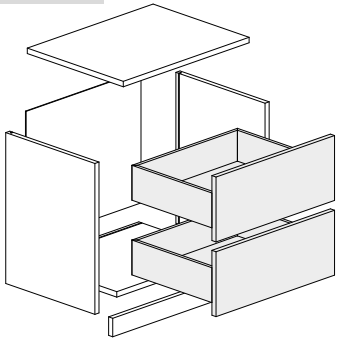
7







8



9

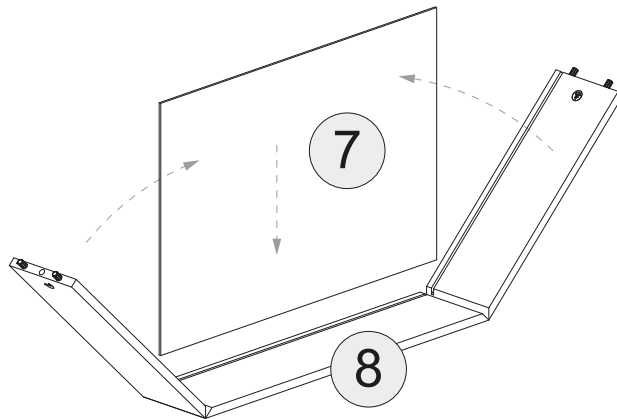
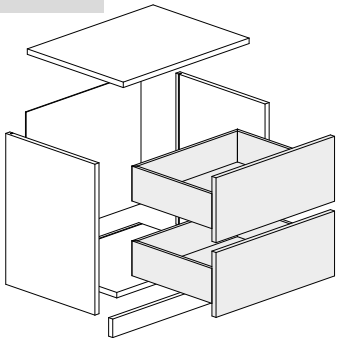


- A2**

Ø15x10mm n.4
- B**

n.4
- F17**

M4x22,5mm n.2
- L6**

n.2

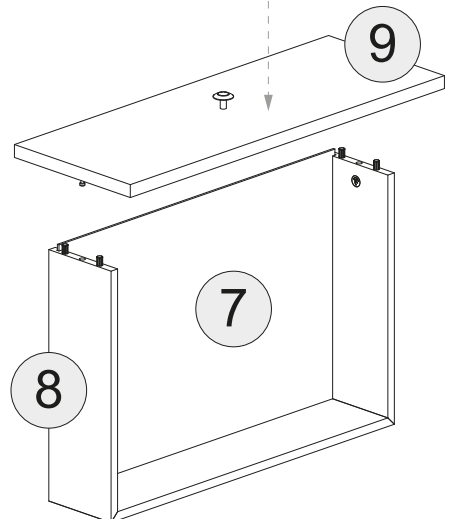
x2

x2

10

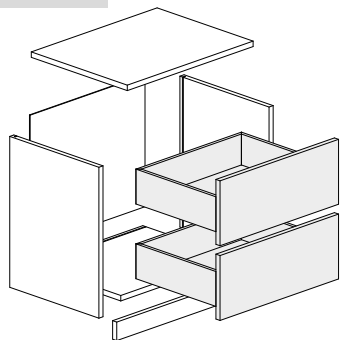


x2

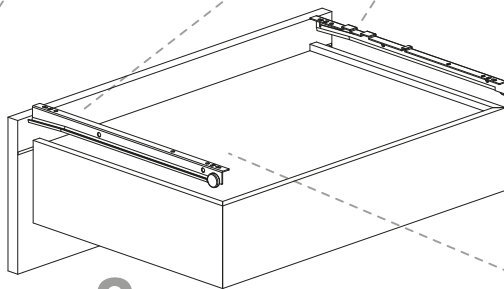
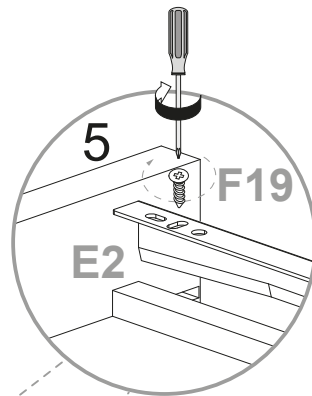
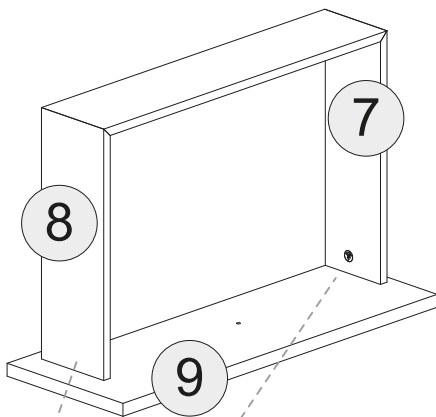


x2

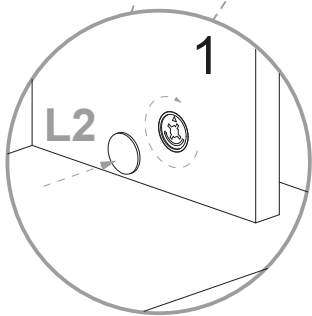
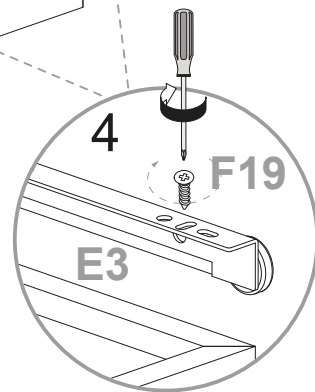
11







x2

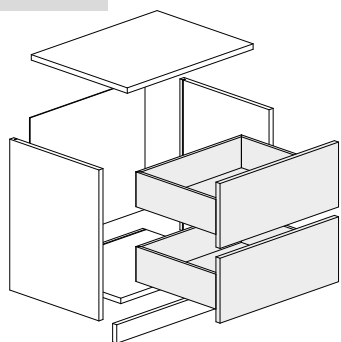


x2

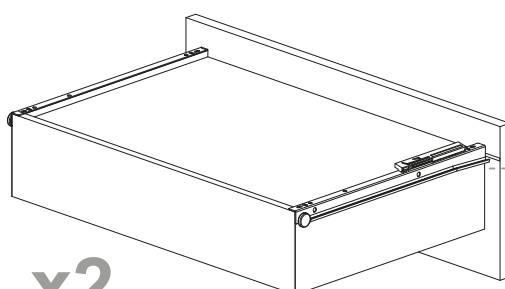
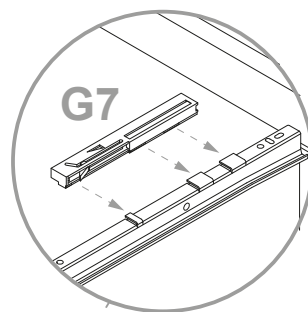
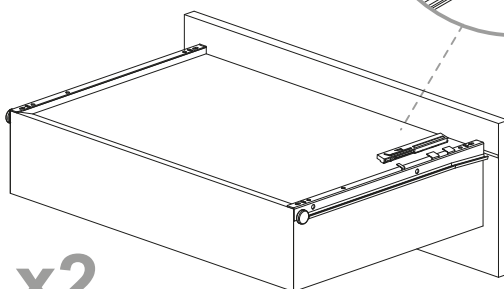


- F3**

Ø3x12mm n.9
- F19**

Ø3x16mm n.8
- E3**

300mm n.2+2
- L2**

Ø20 n.4

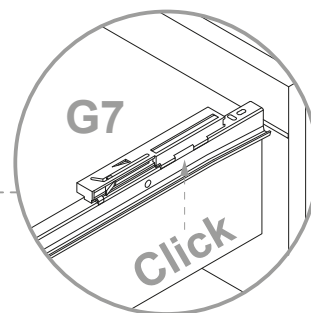
11



x2



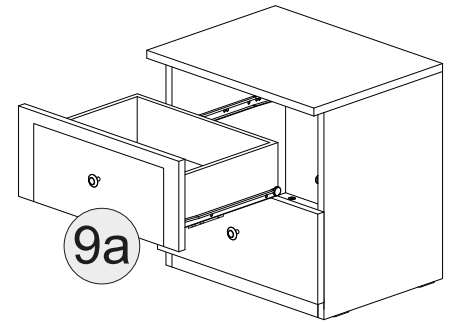
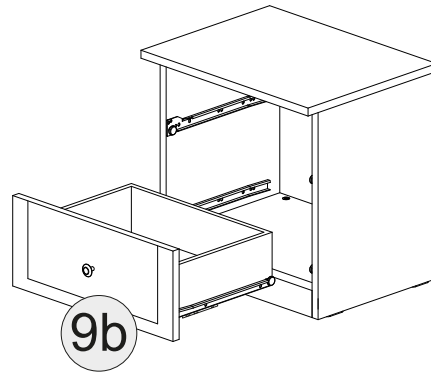
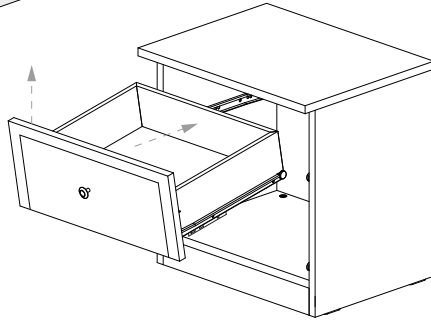
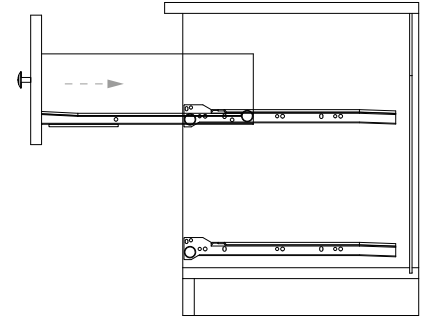
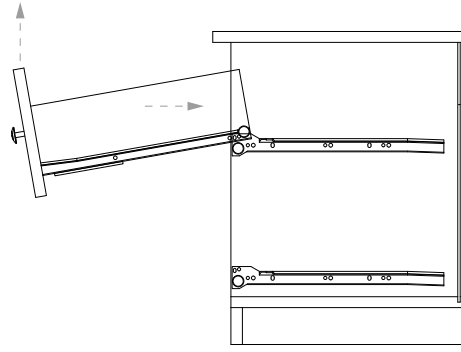
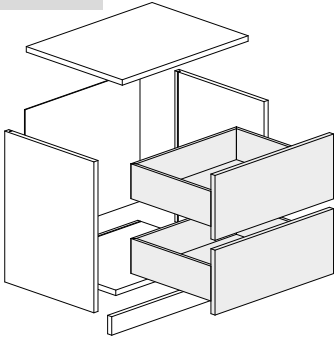
x2



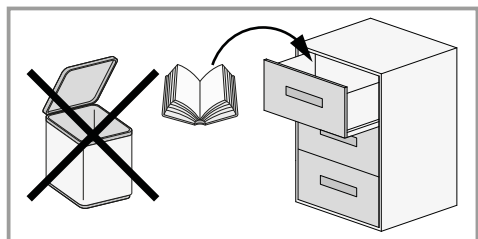
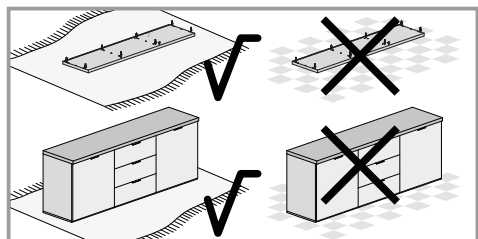
- G7**

n.3

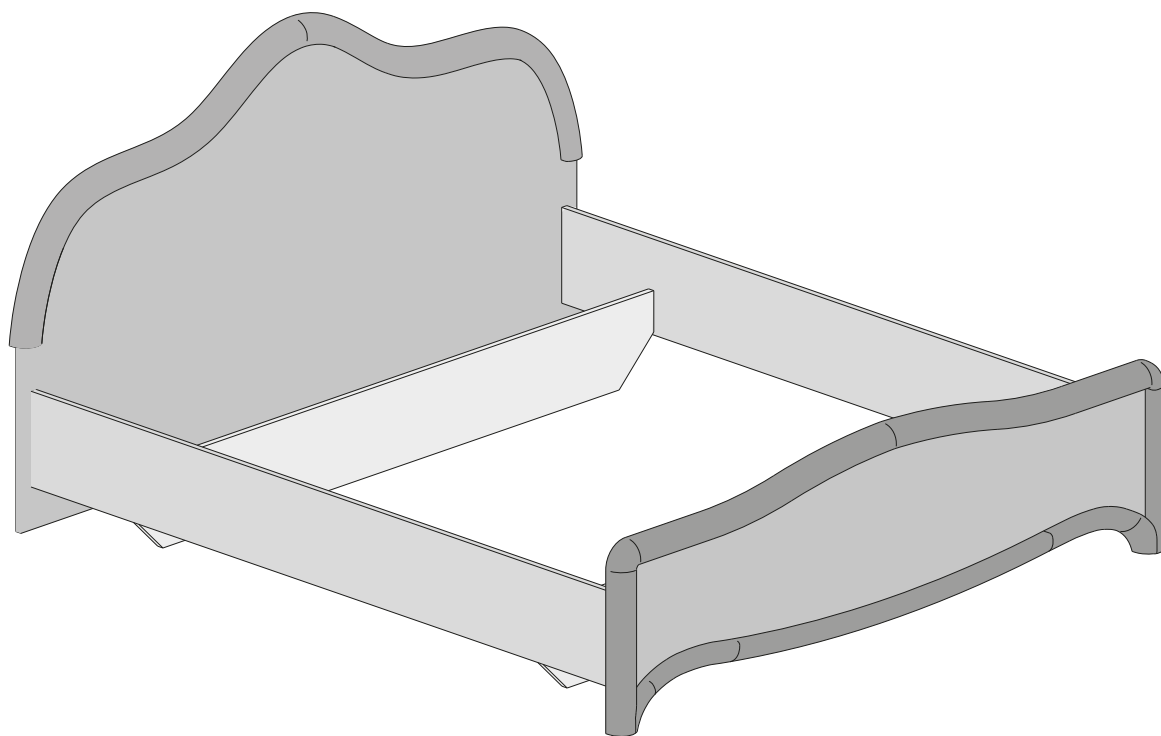
13



Bett 180



Alice
Elena
Greta



ALICE SCHWARZ

Nr. 1x1 (XP_CFDGAPT2-NGL) 1925x1215x60
Nr. 2ax1 (XP_CTDGXFL1-308) 2020x250x18
Nr. 2bx1 (XP_CTDGXFL1-308) 2020x250x18
Nr. 3x2 (XP_CTDGXSR1-OFK) 1820x228x18
Nr. 4x1 (XP_CFDGAPP2-NGL) 1940x535x60

ELENA BEIGE

Nr. 1x1 (XP_CODGAPT2-XP7) 2000x1340x80
Nr. 2ax1 (XP_CTDGXFL1-XP7) 2020x250x18
Nr. 2bx1 (XP_CTDGXFL1-XP7) 2020x250x18
Nr. 3x2 (XP_CTDGXSR1-OFK) 1820x228x18
Nr. 4x1 (XP_CODGAPP2-XP7) 1955x575x80

ELENA NUSSBAUM





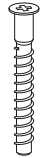




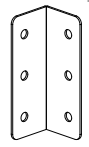

Nr. 1x1 (XP_CODGAPT2-XF7) 2000x1340x80
Nr. 2ax1 (XP_CTDGXFL1-XF7) 2020x250x18
Nr. 2bx1 (XP_CTDGXFL1-XF7) 2020x250x18
Nr. 3x2 (XP_CTDGXSR1-OFK) 1820x228x18
Nr. 4x1 (XP_CODGAPP2-XF7) 1955x575x80

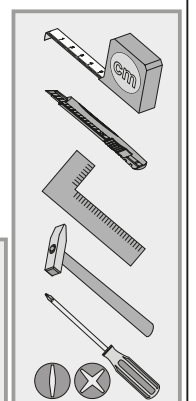
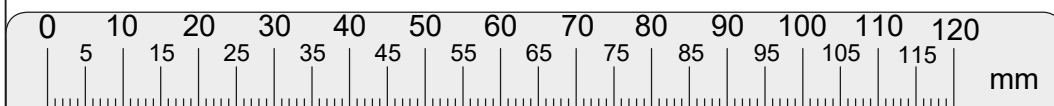
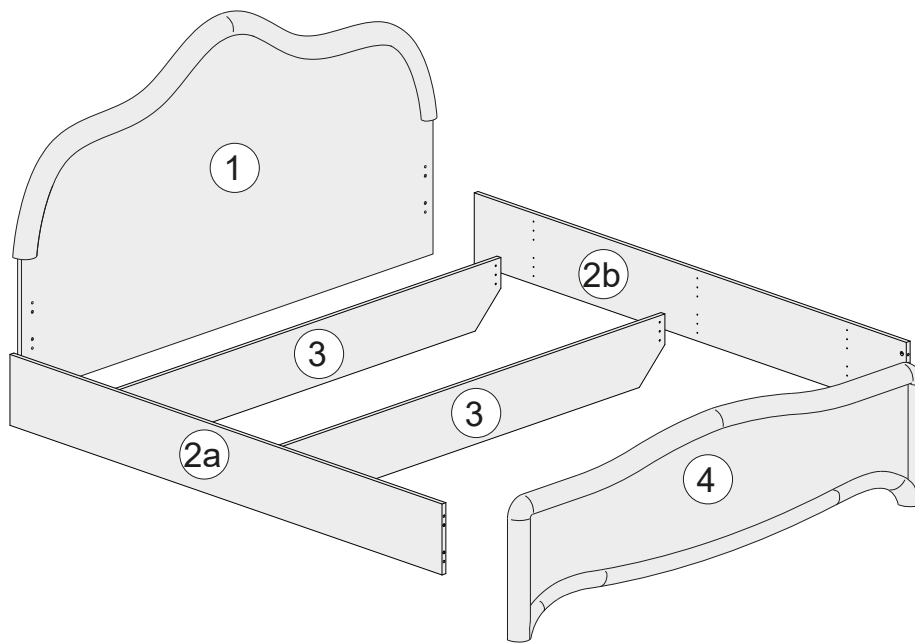
GRETA WEISS

Nr. 1x1 (XP_CFDGRPT2-BIA) 2035x1315x115
Nr. 2ax1 (XP_CTDGXFL1-235) 2020x250x18
Nr. 2bx1 (XP_CTDGXFL1235) 2020x250x18
Nr. 3x2 (XP_CTDGXSR1-OFK) 1820x228x18
Nr. 4x1 (XP_CFDGAPP2-BIA) 2030x585x70

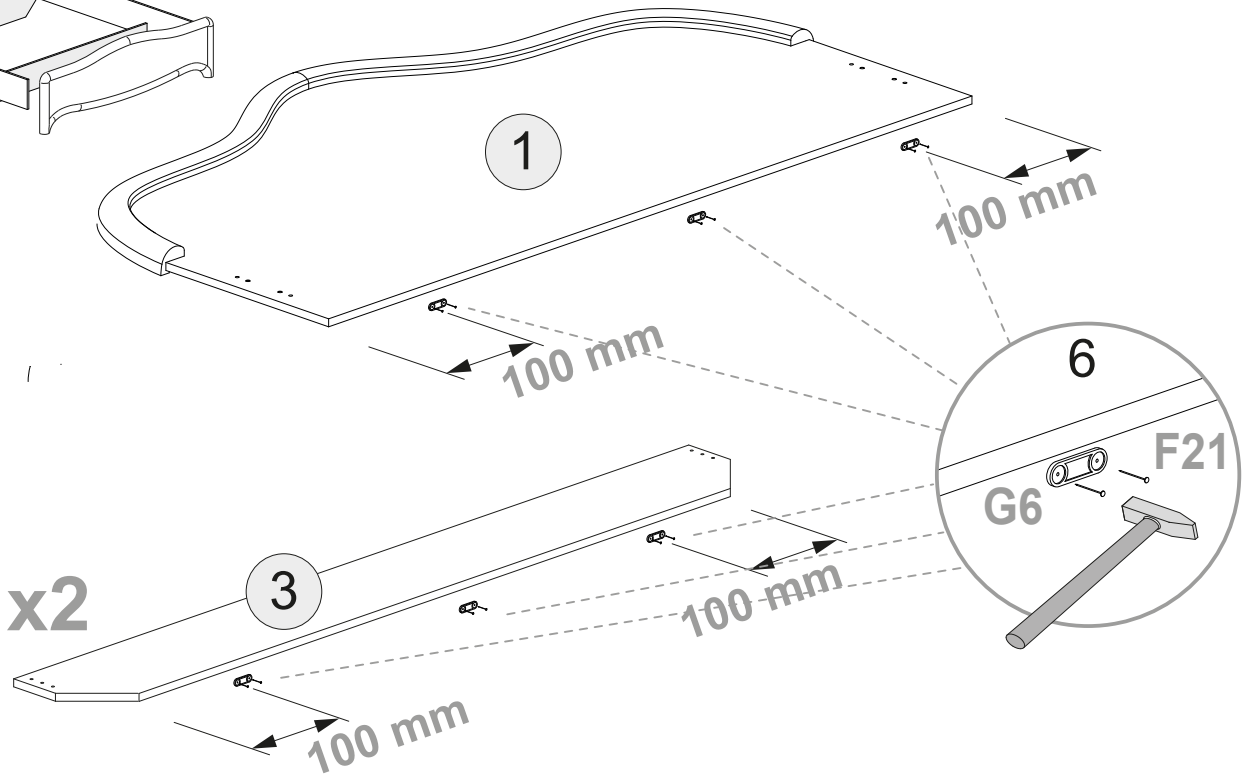
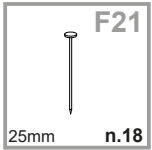
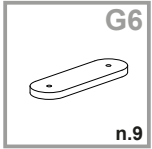
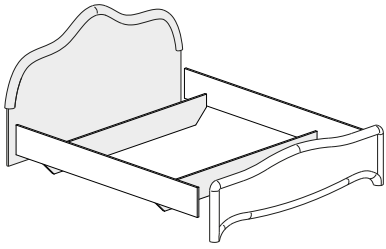
ALICE CAPITONNE' SCHWARZ

Nr. 1x1 (XP_CODGAPT4-308) 1925x1215x80
Nr. 2ax1 (XP_CTDGXFL1-308) 2020x250x18
Nr. 2bx1 (XP_CTDGXFL1-308) 2020x250x18
Nr. 3x2 (XP_CTDGXSR1-OFK) 1820x228x18
Nr. 4x1 (XP_CFDGAPP2-NGL) 1940x535x60

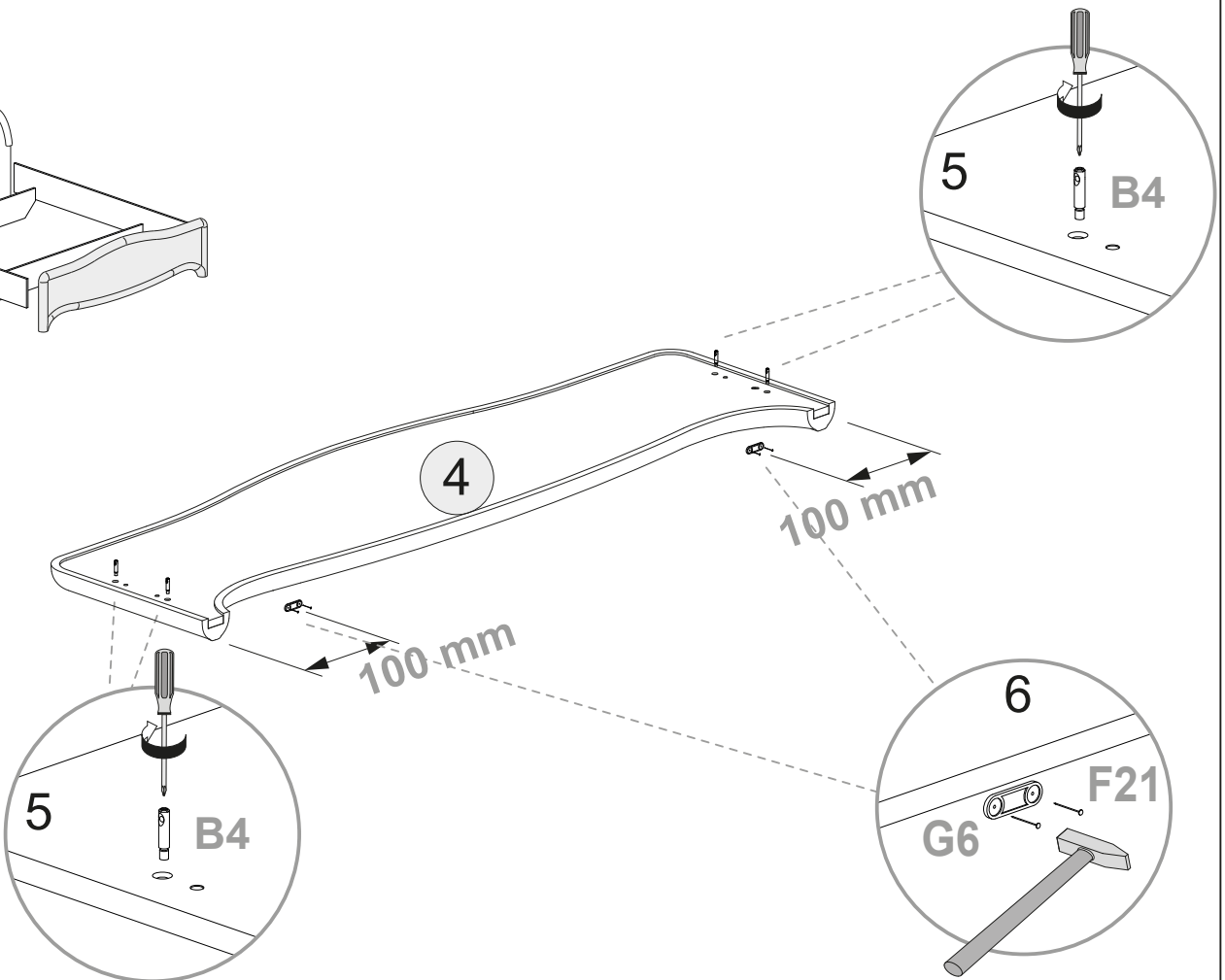
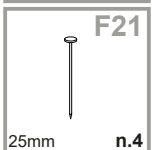
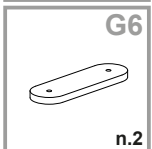
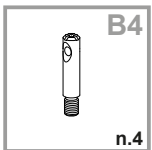
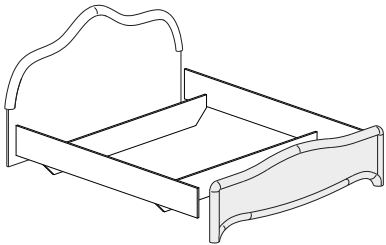
<p>A3</p>  <p>n.4</p>	<p>B4</p>  <p>n.4</p>	<p>C</p>  <p>$\varnothing 8 \times 30 \text{mm}$ n.8</p>	<p>D5</p>  <p>n.4</p>	<p>F8</p>  <p>$\varnothing 7 \times 50 \text{mm}$ n.4</p>	<p>F5</p>  <p>$\varnothing 3,5 \times 16 \text{mm}$ n.12</p>
<p>F21</p>  <p>25mm n.22</p>	<p>F22</p>  <p>25mm n.12</p>	<p>F23</p>  <p>M4x10mm n.12</p>	<p>M8</p>  <p>n.4</p>	<p>G6</p>  <p>n.11</p>	



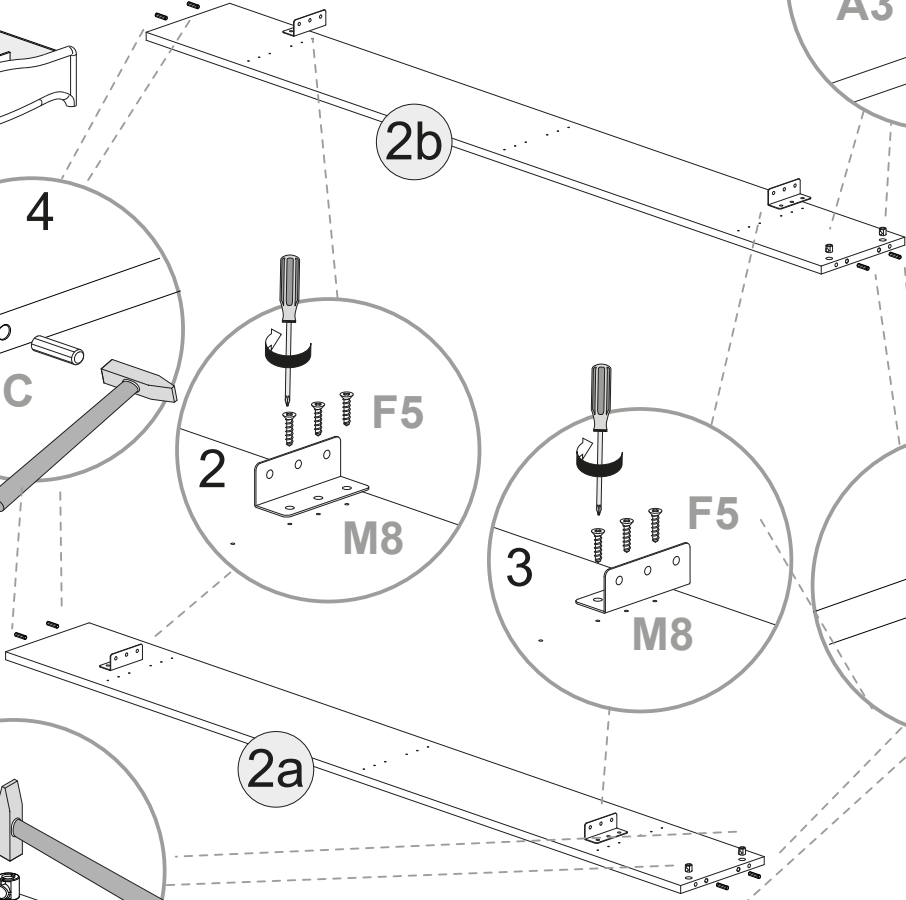
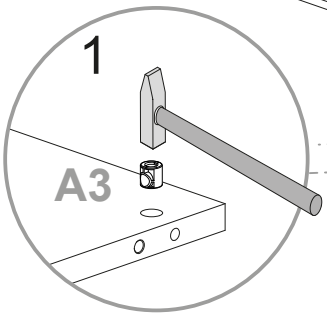
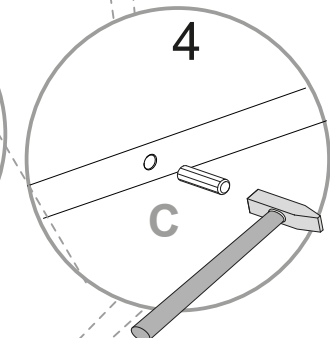
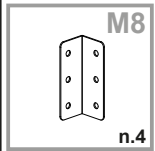
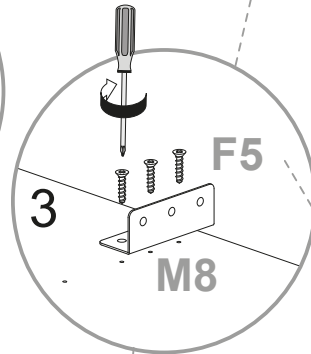
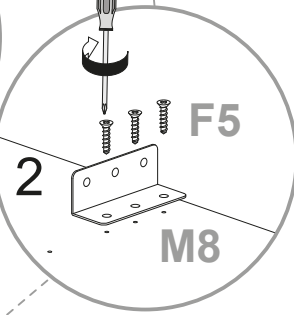
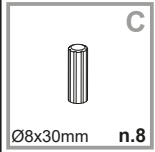
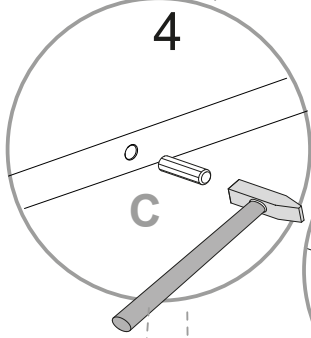
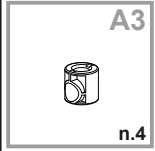
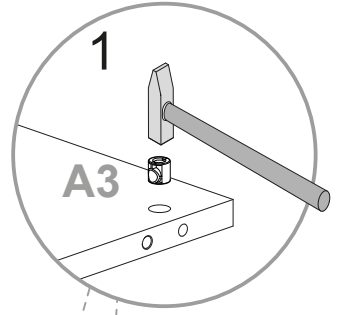
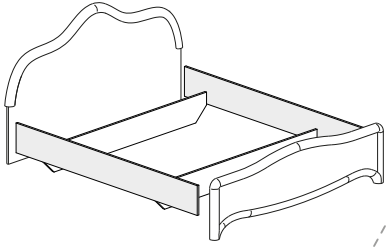
1



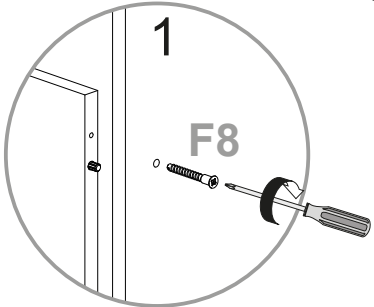
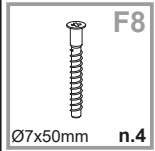
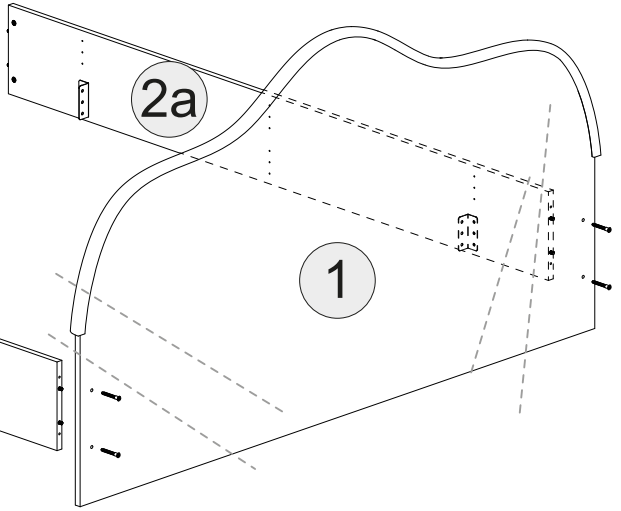
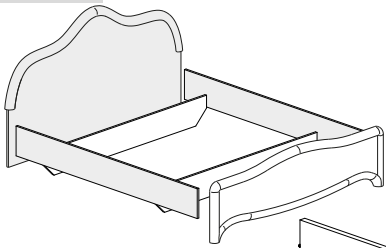
2



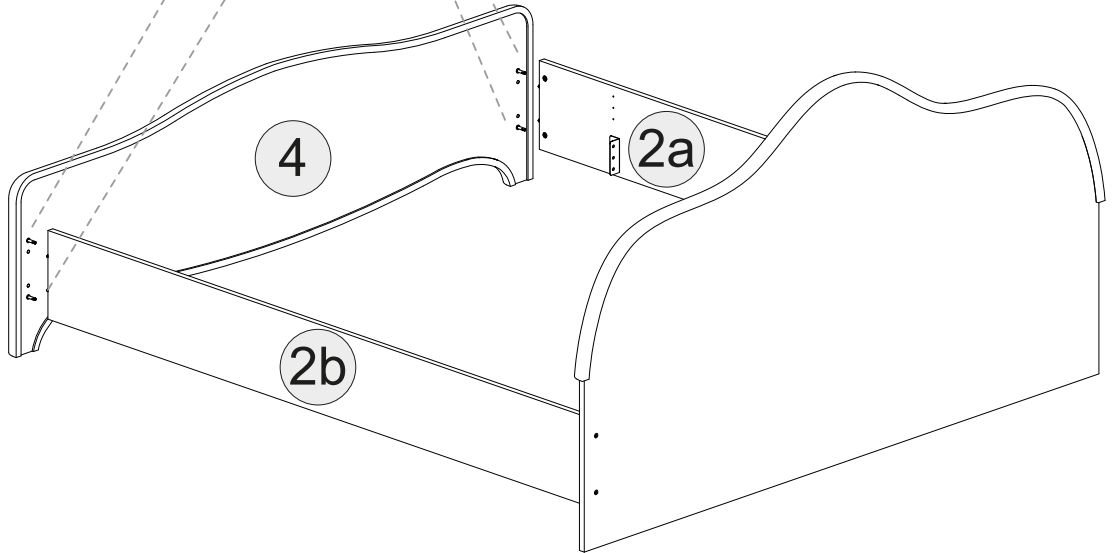
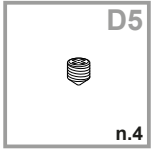
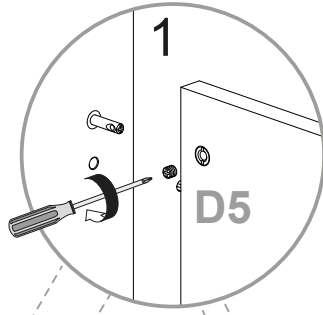
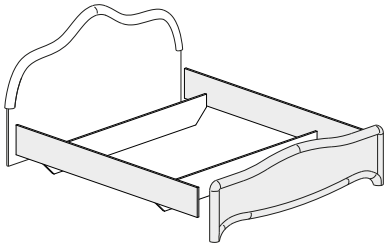
3



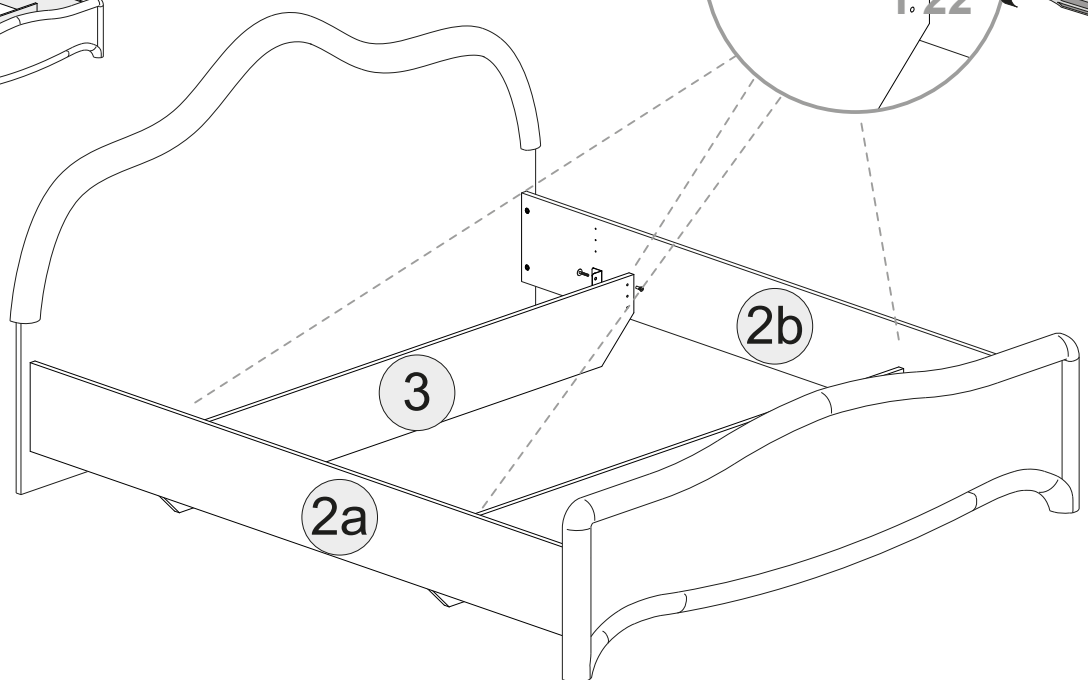
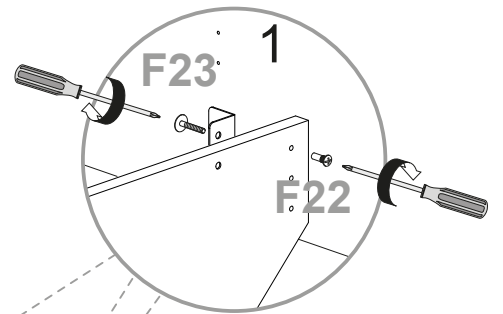
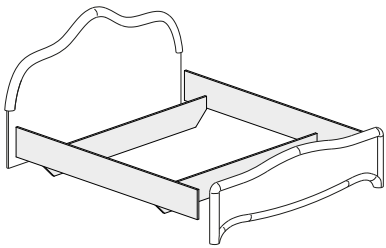
4



5

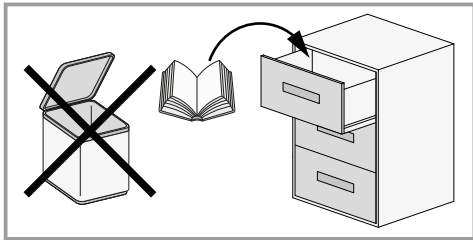
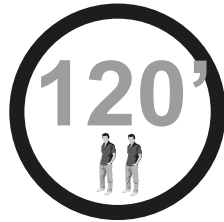
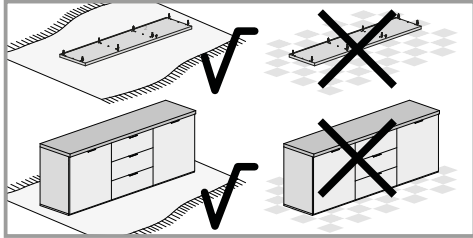


6

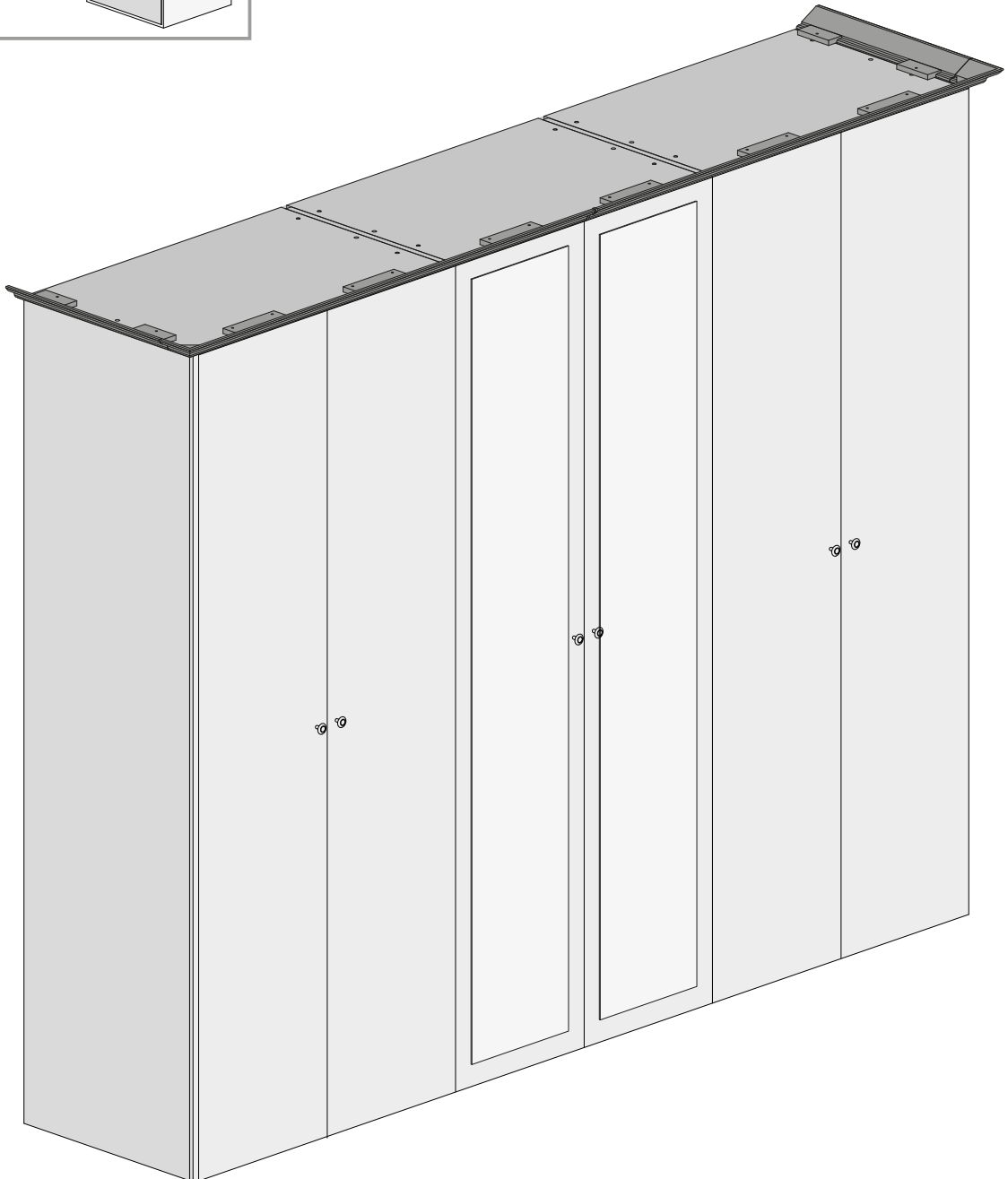


Kleiderschrank

6 türig



Alice
Elena
Greta



ALICE SCHWARZ

Nr. 1x1 (XP_CTDGXFI1-308) 2015x535x18
Nr. 2x1 (XP_CTDGXFI1-308) 2015x535x18
Nr. 3x2 (XP_CTDGXTR1-OFK) 2015x520x18
Nr. 4x3 (XP_CTDGXBA1-OFK) 812x535x18
Nr. 5x3 (XP_CTDGXKP1-OFK) 812x535x18
Nr. 6x3 (XP_CTDGXRP1-OFK) 812x520x18
Nr. 7x3 (XP_CSDGXSC1-FAG) 1995x828x3
Nr. 8x2 (XP_CTDGXRP1-OFK) 812x520x18
Nr. 9x1 (XP_CTDGXRP1-OFK) 812x520x18
Nr. 10x1 (XP_CTDGXRP1-OFK) 812x520x18
Nr. 11x2 (XP_CFDGAAA1-NGL) 2012x412x18
Nr. 12x2 (XP_CFDGAAA2-NGL) 2012x412x18
Nr. 13x1 (XP_CODGAAA1-308) 2012x412x18
Nr. 14x1 (XP_CODGAAA1-308) 2012x412x18

ELENA BEIGE

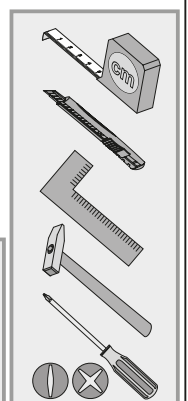
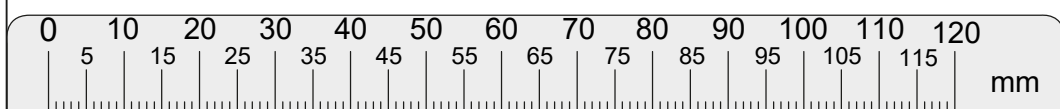
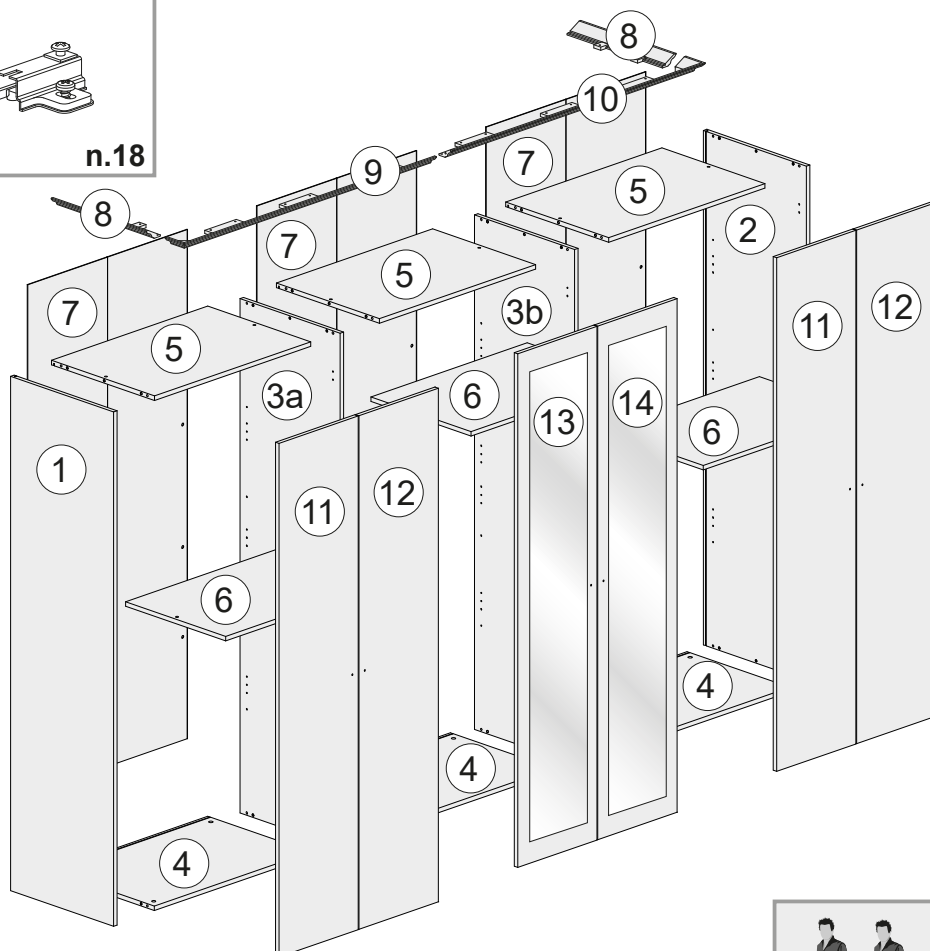
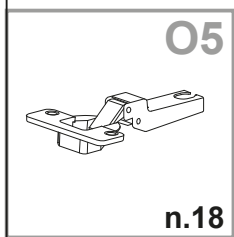
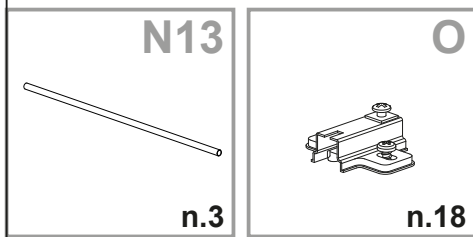
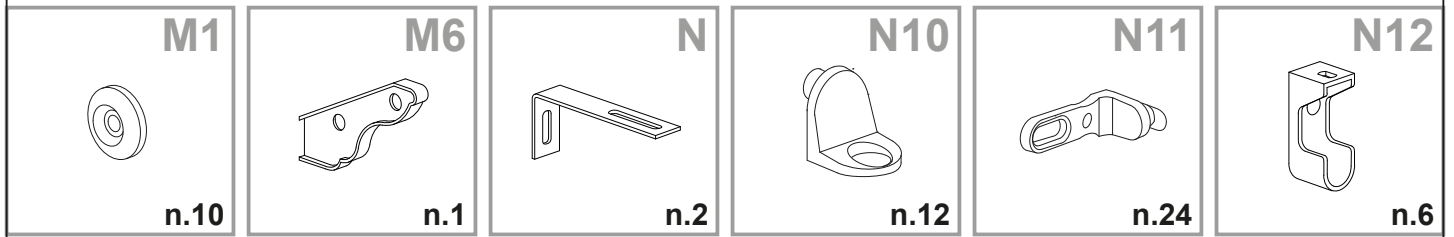
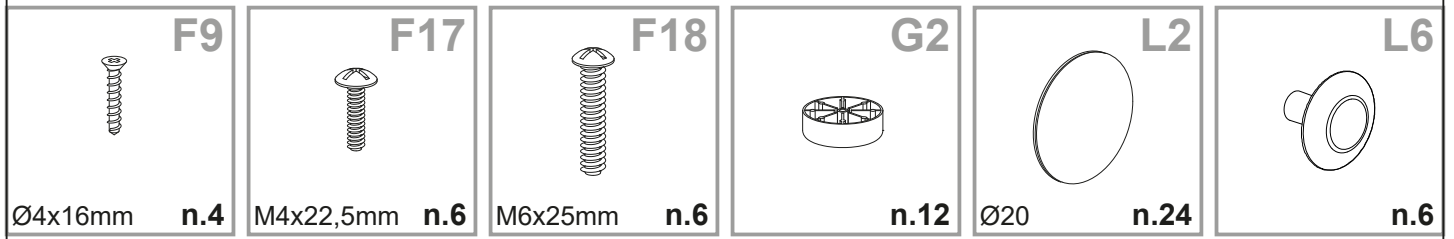
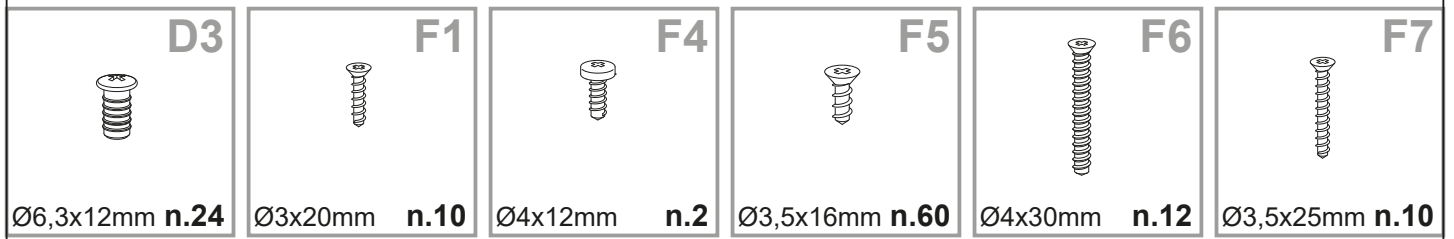
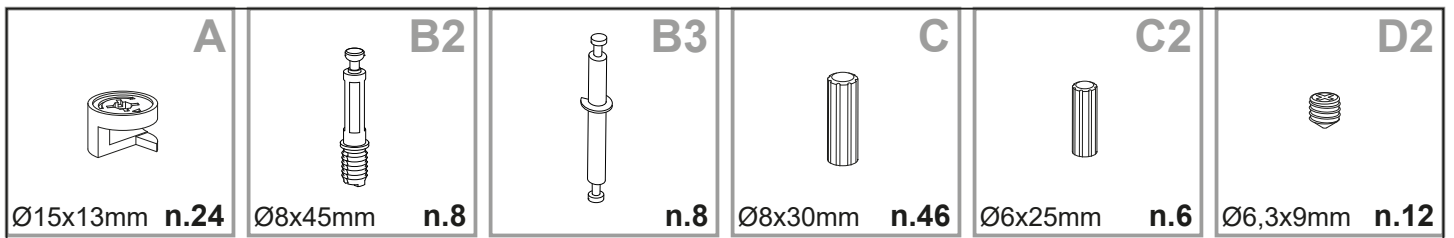
Nr. 1x1 (XP_CTDGXFI1-XP7) 2015x535x18
Nr. 2x1 (XP_CTDGXFI1-XP7) 2015x535x18
Nr. 3x2 (XP_CTDGXTR1-OFK) 2015x520x18
Nr. 4x3 (XP_CTDGXBA1-OFK) 812x535x18
Nr. 5x3 (XP_CTDGXKP1-OFK) 812x535x18
Nr. 6x3 (XP_CTDGXRP1-OFK) 812x520x18
Nr. 7x3 (XP_CSDGXSC1-FAG) 1995x828x3
Nr. 8x2 (XP_CTDGXRP1-OFK) 812x520x18
Nr. 9x1 (XP_CTDGXRP1-OFK) 812x520x18
Nr. 10x1 (XP_CTDGXRP1-OFK) 812x520x18
Nr. 11x2 (XP_CODGEAA1-XP7) 2012x412x18
Nr. 12x2 (XP_CODGEAA1-XP7) 2012x412x18
Nr. 13x1 (XP_CODGEAA1-XP7) 2012x412x18
Nr. 14x1 (XP_CODGEAA1-XP7) 2012x412x18

ELENA NUSSBAUM

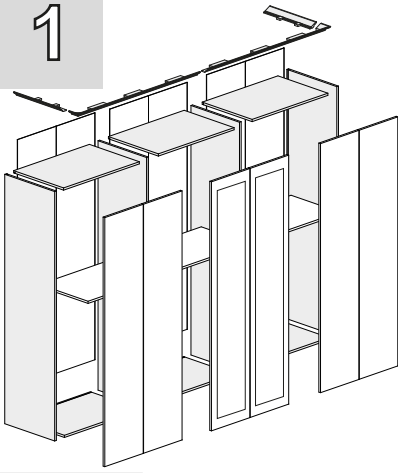
Nr. 1x1 (XP_CTDGXFI1-XF7) 2015x535x18
Nr. 2x1 (XP_CTDGXFI1-XF7) 2015x535x18
Nr. 3x2 (XP_CTDGXTR1-OFK) 2015x520x18
Nr. 4x3 (XP_CTDGXBA1-OFK) 812x535x18
Nr. 5x3 (XP_CTDGXKP1-OFK) 812x535x18
Nr. 6x3 (XP_CTDGXRP1-OFK) 812x520x18
Nr. 7x3 (XP_CSDGXSC1-FAG) 1995x828x3
Nr. 8x2 (XP_CTDGXRP1-OFK) 812x520x18
Nr. 9x1 (XP_CTDGXRP1-OFK) 812x520x18
Nr. 10x1 (XP_CTDGXRP1-OFK) 812x520x18
Nr. 11x2 (XP_CODGEAA1-XF7) 2012x412x18
Nr. 12x2 (XP_CODGEAA1-XF7) 2012x412x18
Nr. 13x1 (XP_CODGEAA1-XF7) 2012x412x18
Nr. 14x1 (XP_CODGEAA1-XF7) 2012x412x18

GRETA WEISS

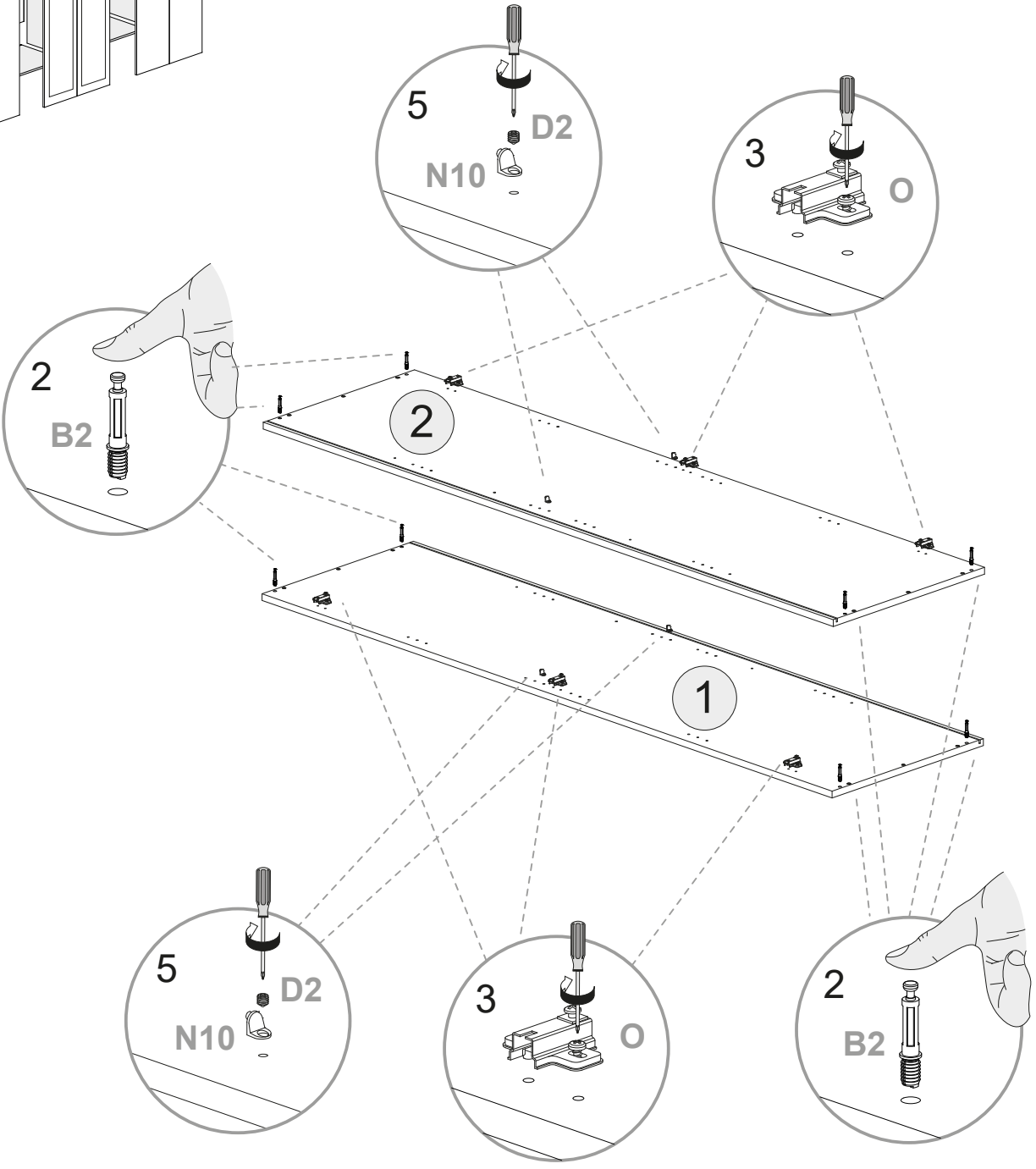
Nr. 1x1 (XP_CTDGXFI1-235) 2015x535x18
Nr. 2x1 (XP_CTDGXFI1-235) 2015x535x18
Nr. 3x2 (XP_CTDGXTR1-OFK) 2015x520x18
Nr. 4x3 (XP_CTDGXBA1-OFK) 812x535x18
Nr. 5x3 (XP_CTDGXKP1-OFK) 812x535x18
Nr. 6x3 (XP_CTDGXRP1-OFK) 812x520x18
Nr. 7x3 (XP_CSDGXSC1-FAG) 1995x828x3
Nr. 8x2 (XP_CTDGXRP1-OFK) 812x520x18
Nr. 9x1 (XP_CTDGXRP1-OFK) 812x520x18
Nr. 10x1 (XP_CTDGXRP1-OFK) 812x520x18
Nr. 11x2 (XP_CFDGRAA1-BIA) 2012x412x18
Nr. 12x2 (XP_CFDGRAA1-BIA) 2012x412x18
Nr. 13x1 (XP_CODGRAA1-BIA) 2012x412x18
Nr. 14x1 (XP_CODGRAA1-BIA) 2012x412x18



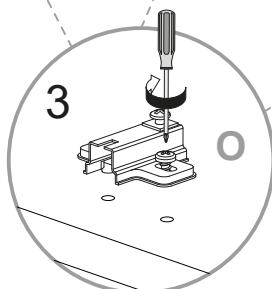
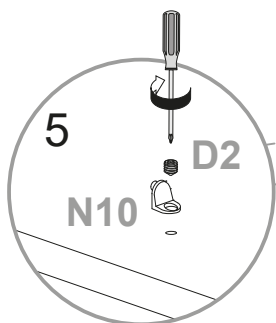
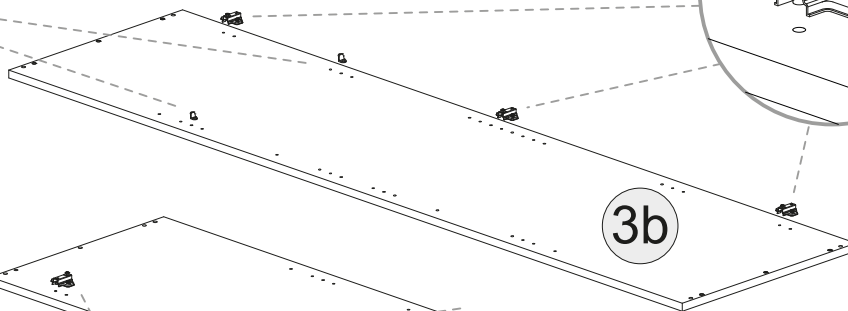
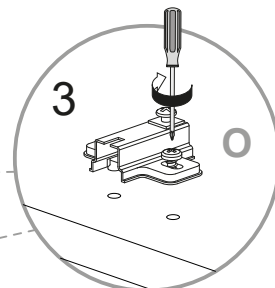
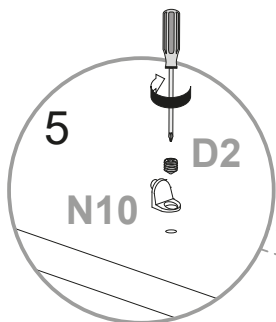
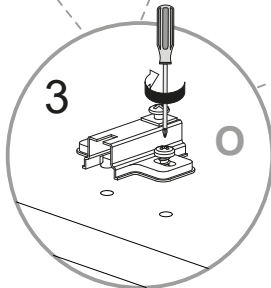
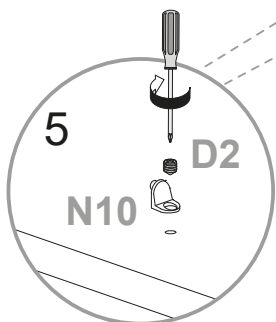
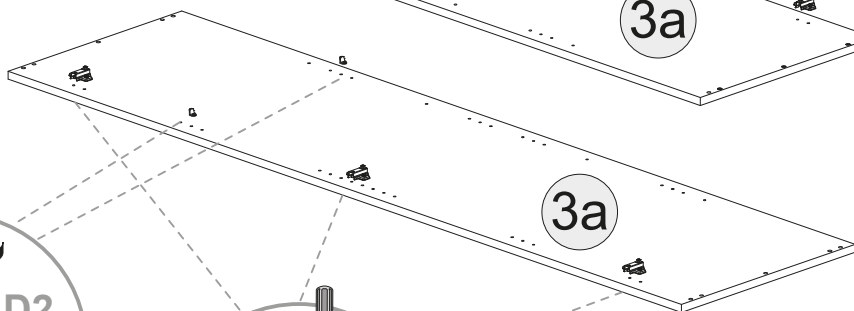
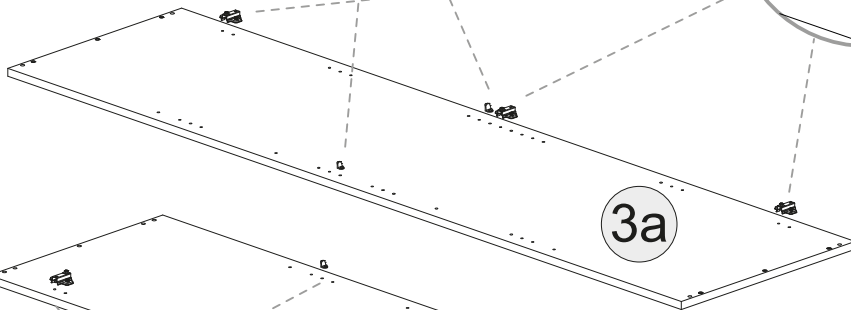
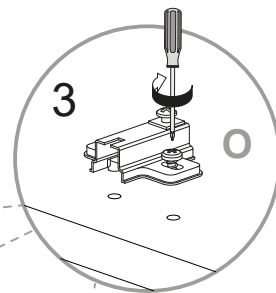
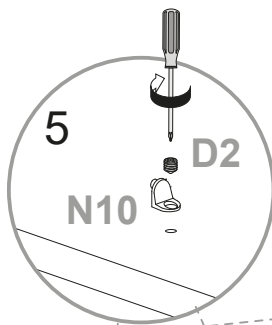
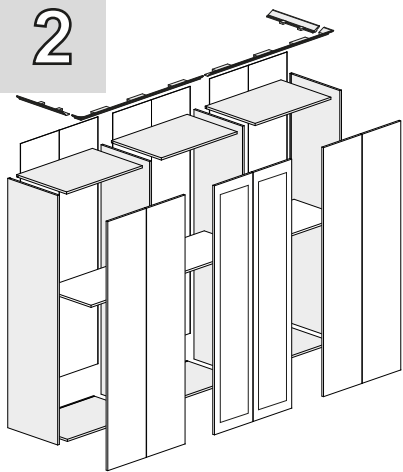
1



- B2**
Ø8x45mm n.8
- D2**
Ø8x8,5mm n.4
- N10**
n.4
- O**
n.6



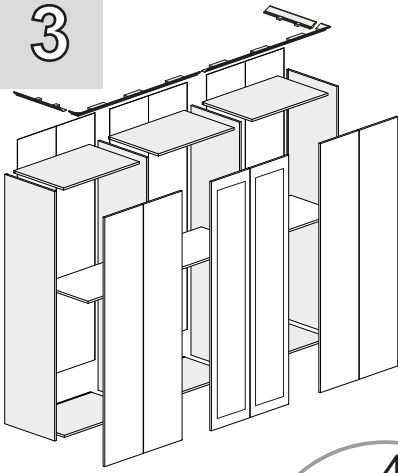
2



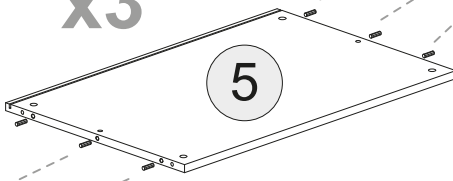
3b

3b

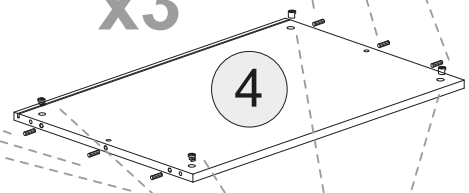
3



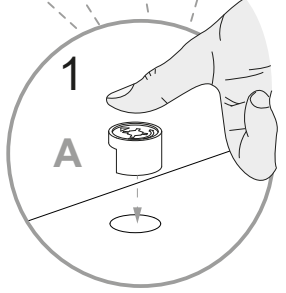
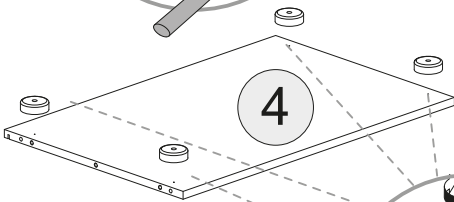
x3







x3

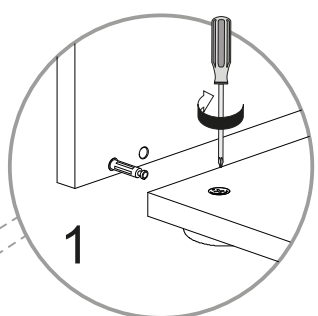
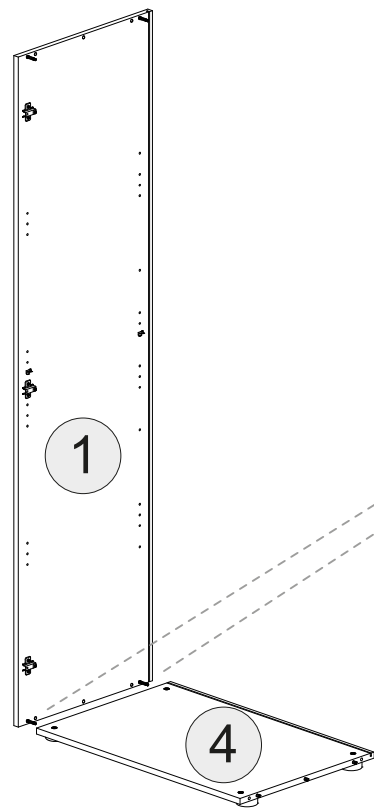
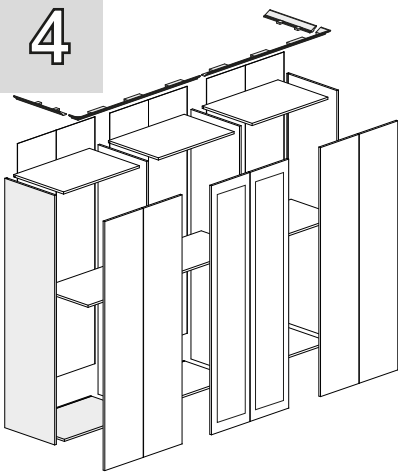


x3

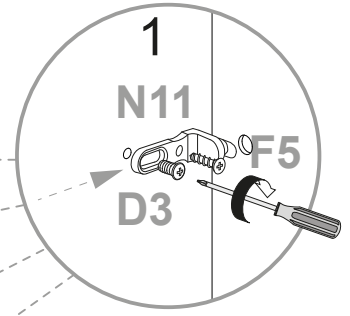
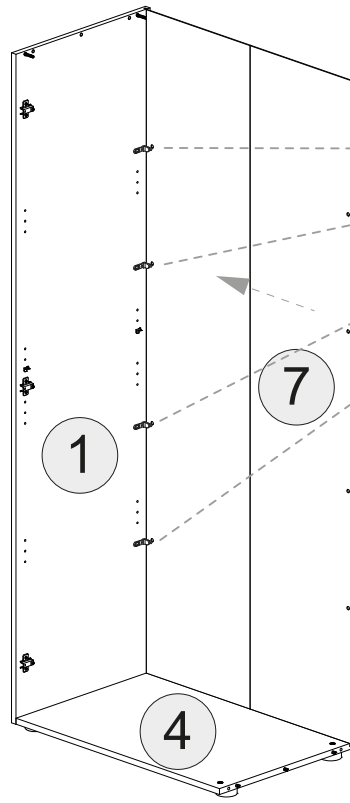
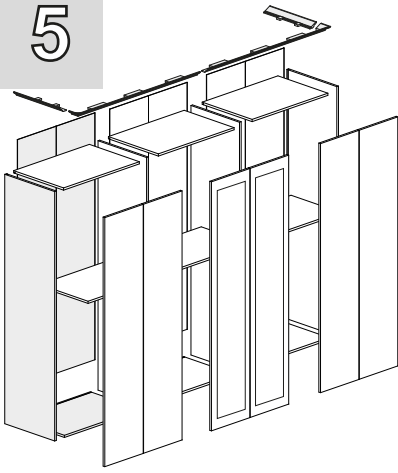


- A**

Ø15x13mm n.24
- C**

Ø8x30mm n.36
- F6**

Ø4x30mm n.12
- G2**

n.6

4



5



N11



n.4

D3



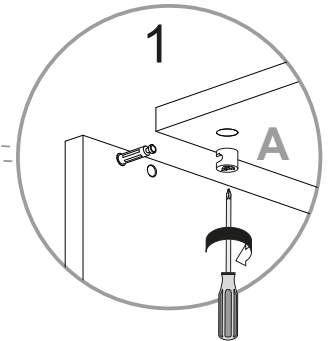
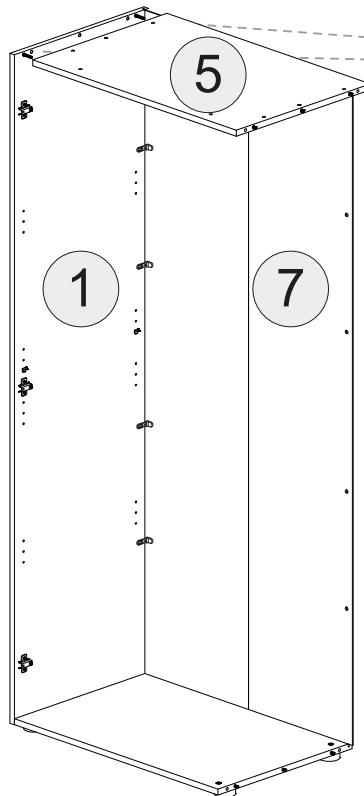
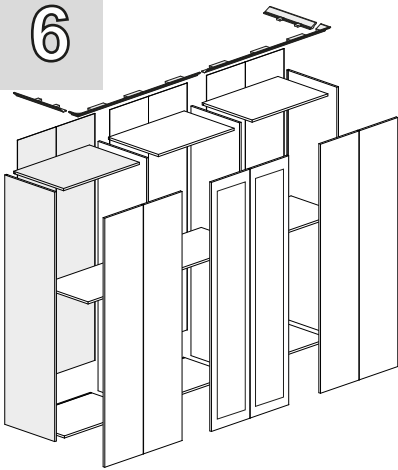
Ø6,3x12mm n.4

F5



Ø3,5x16mm n.4

6

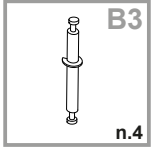
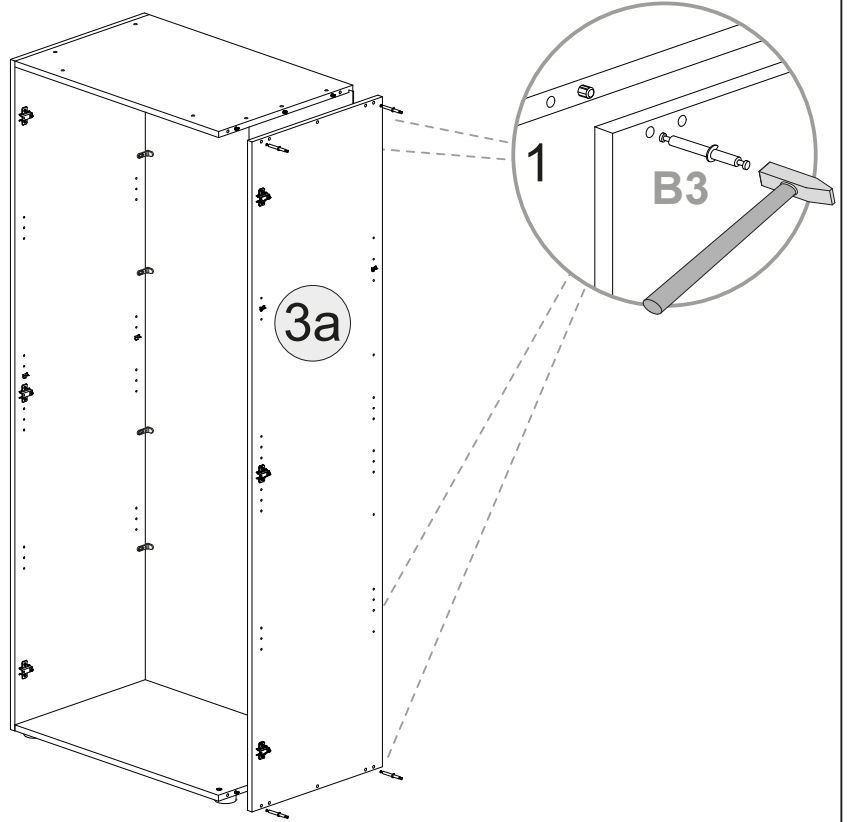
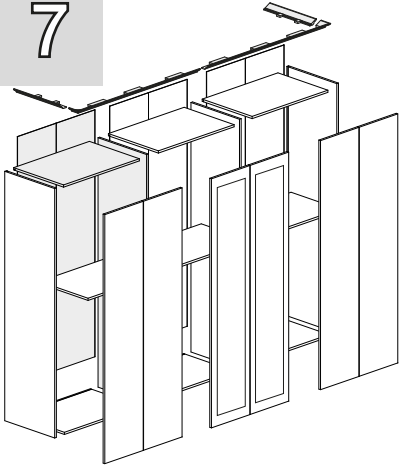


A

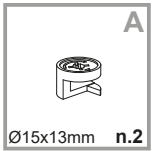
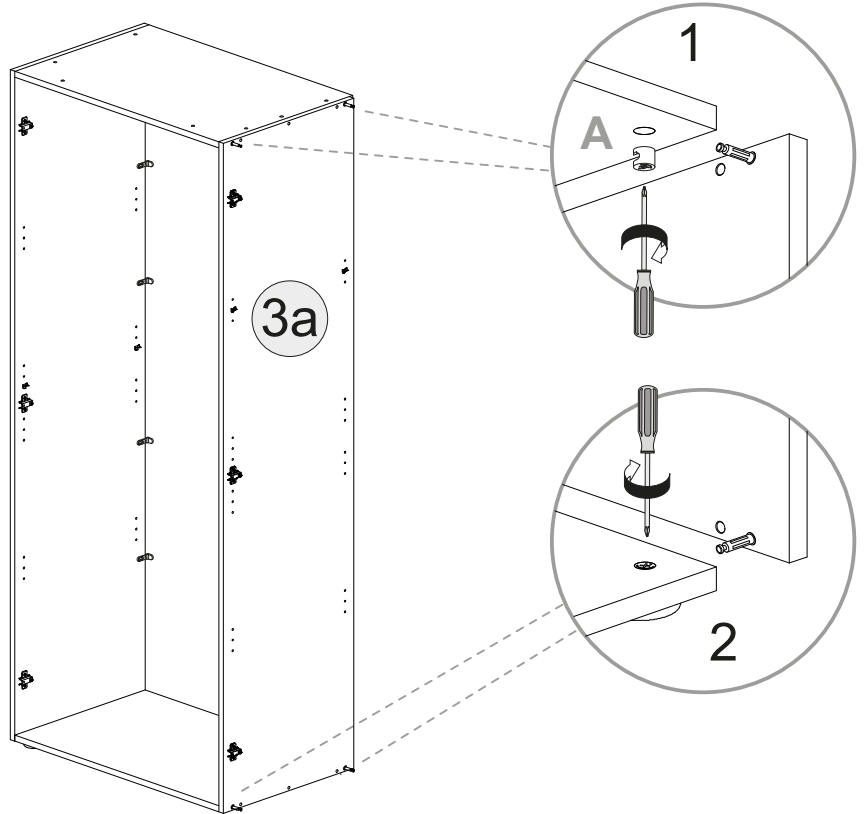
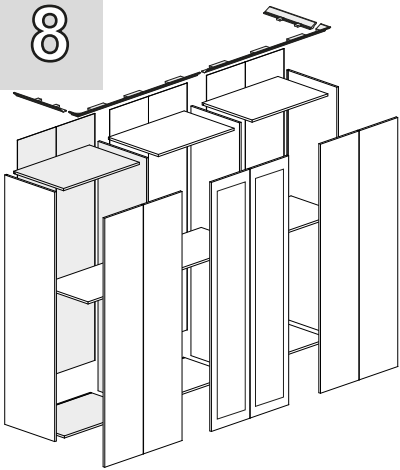


Ø15x13mm n.2

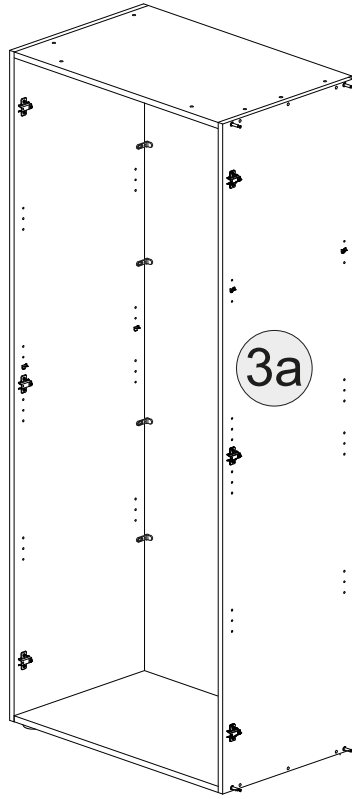
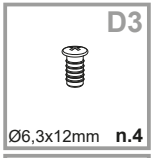
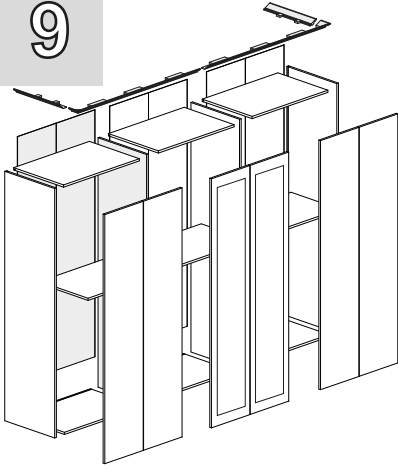
7



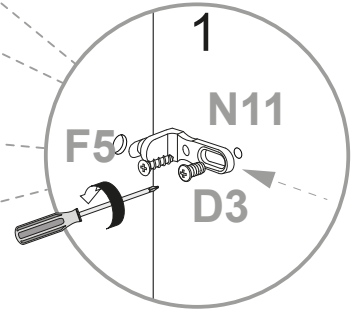
8



9



3a



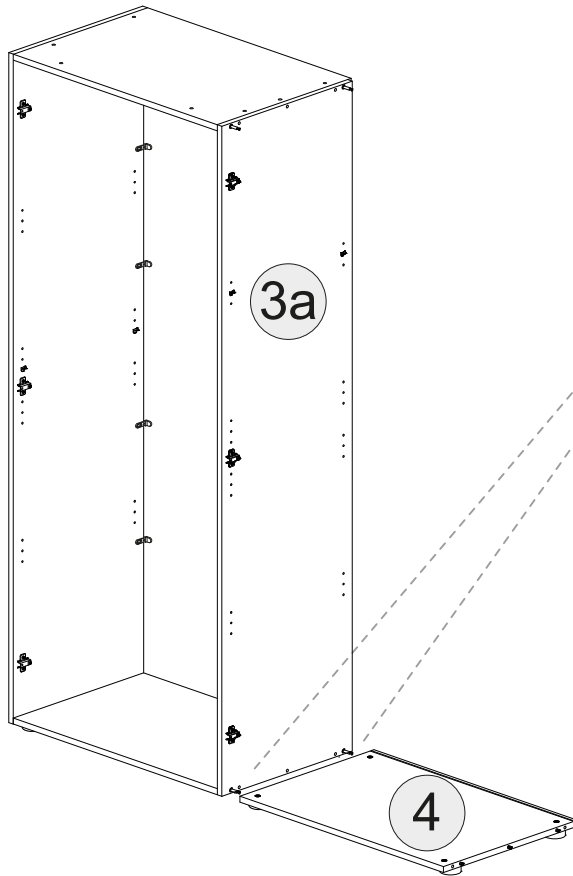
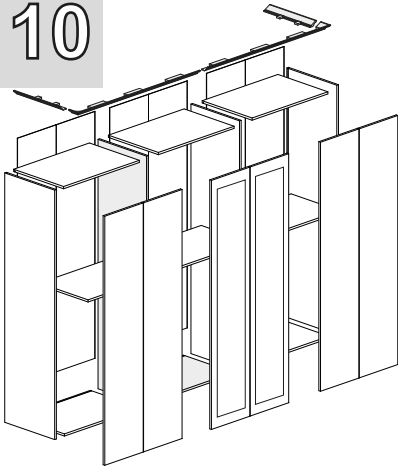
1

N11

F5

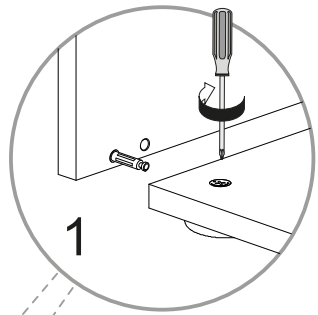
D3

10



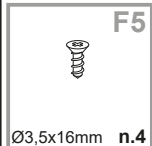
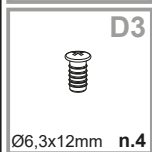
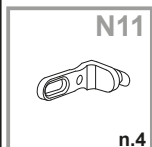
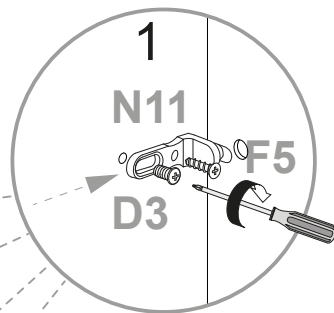
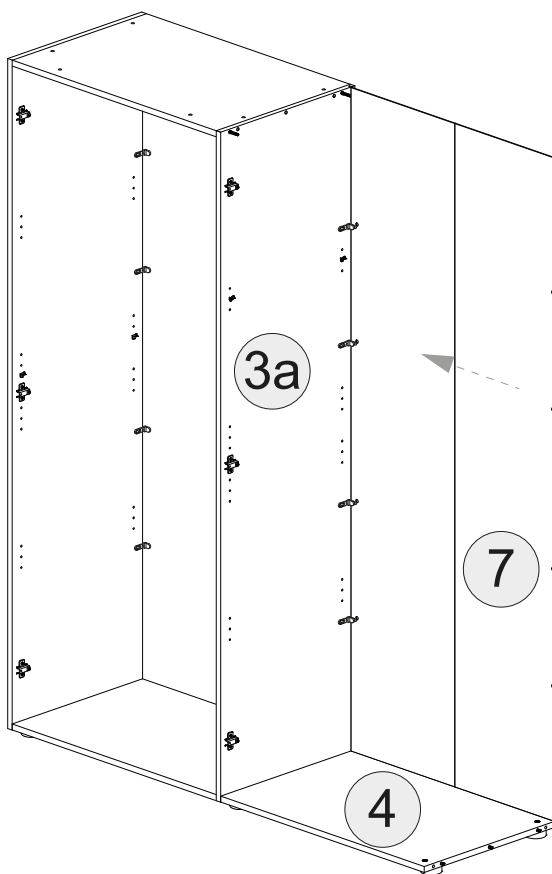
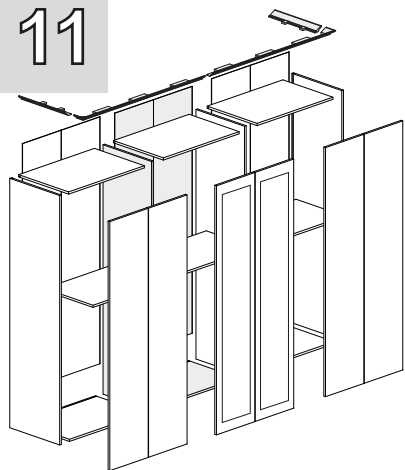
3a

4

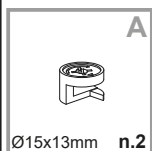
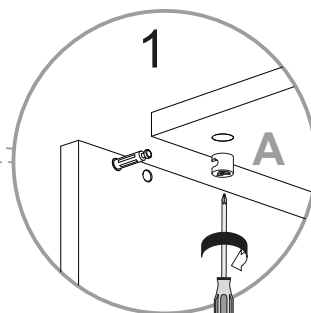
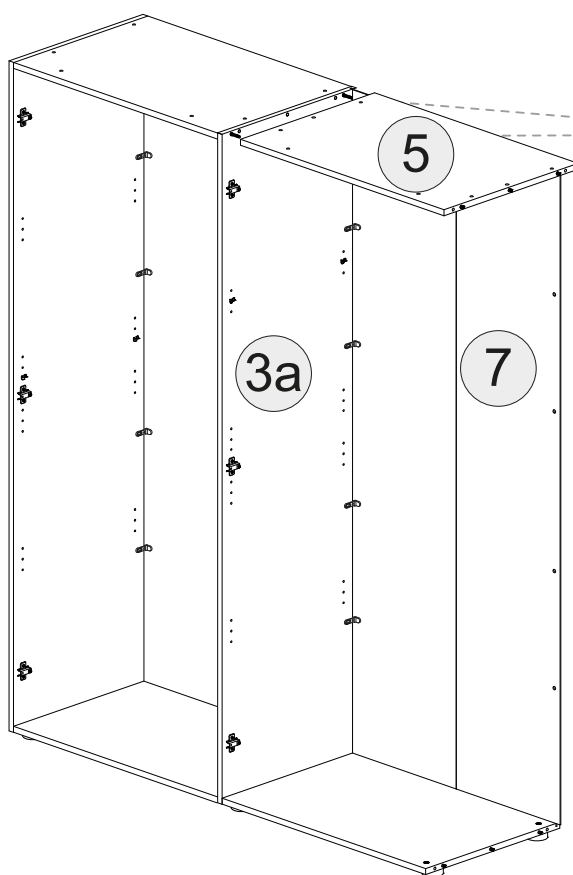
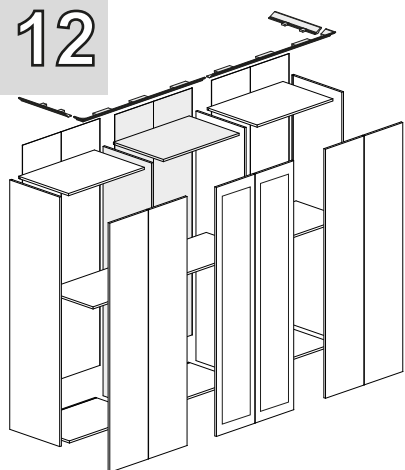


1

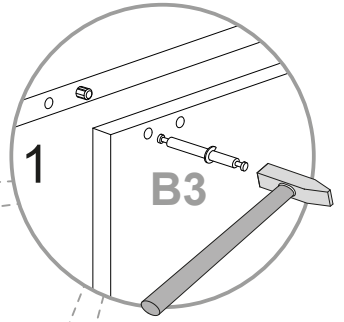
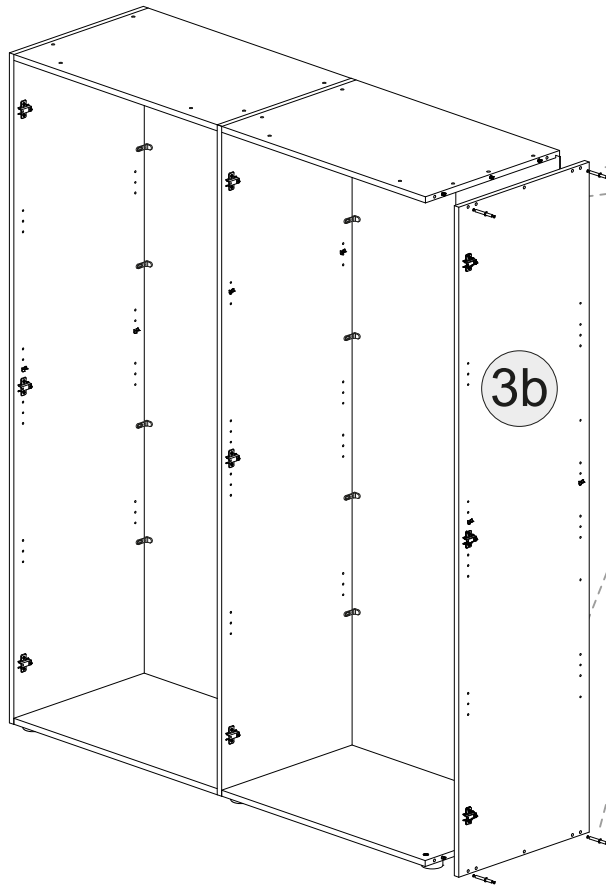
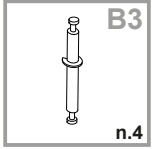
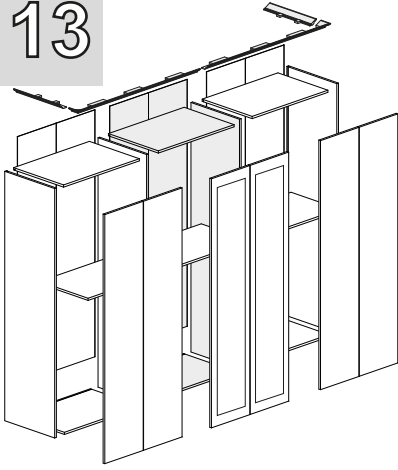
11



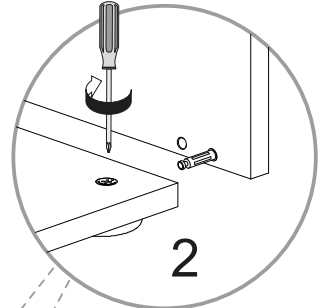
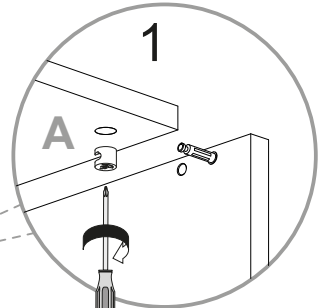
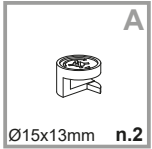
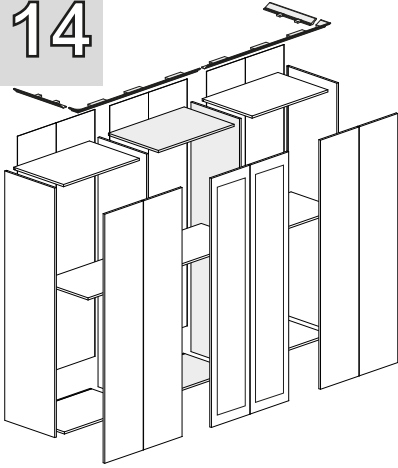
12



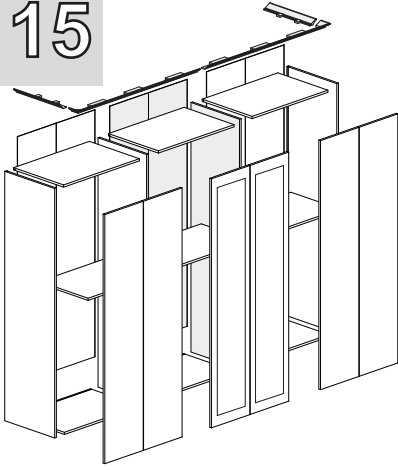
13



14



15



N11



n.4

D3

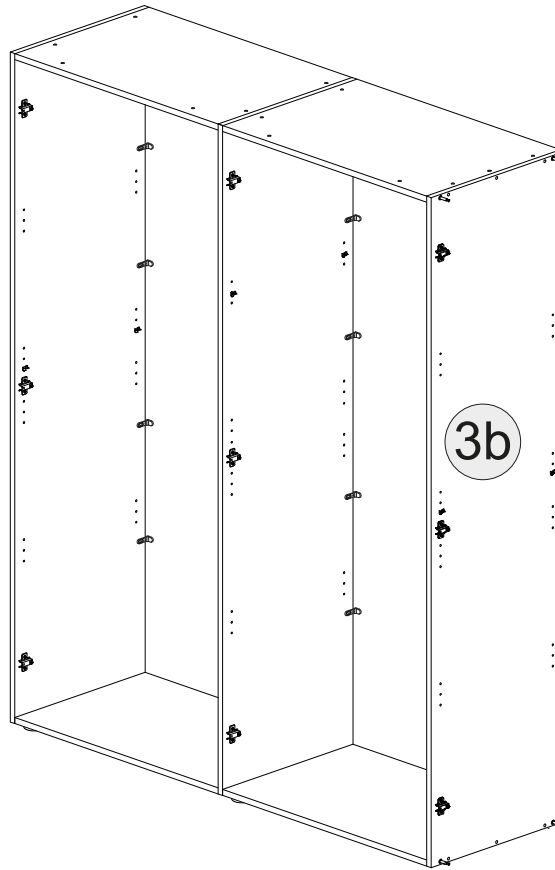


Ø6,3x12mm n.4

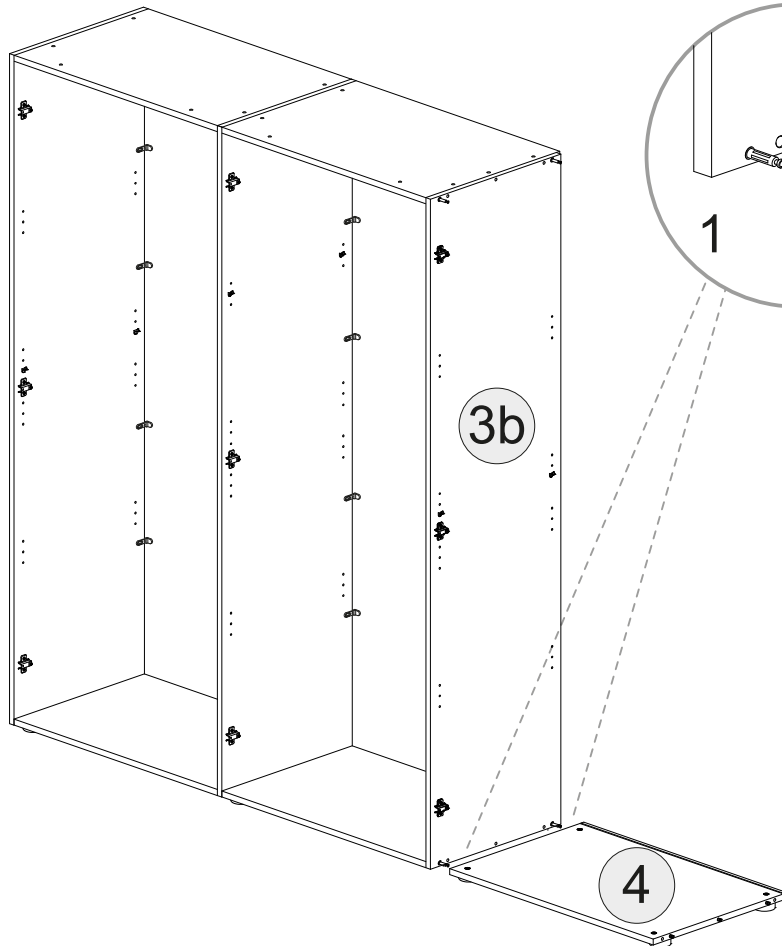
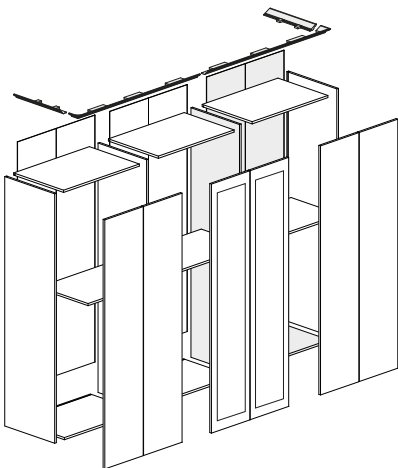
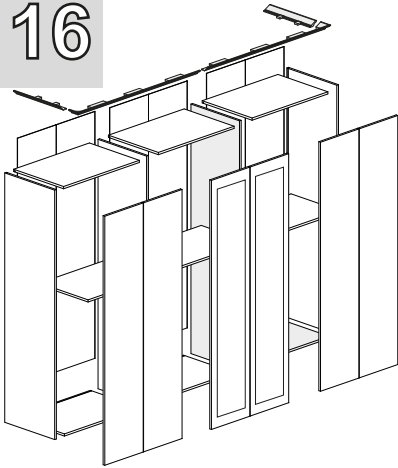
F5



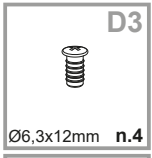
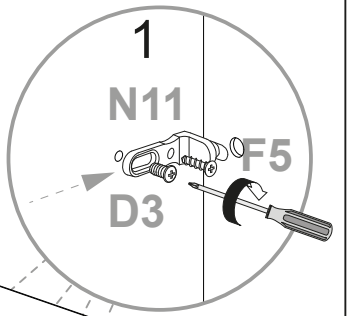
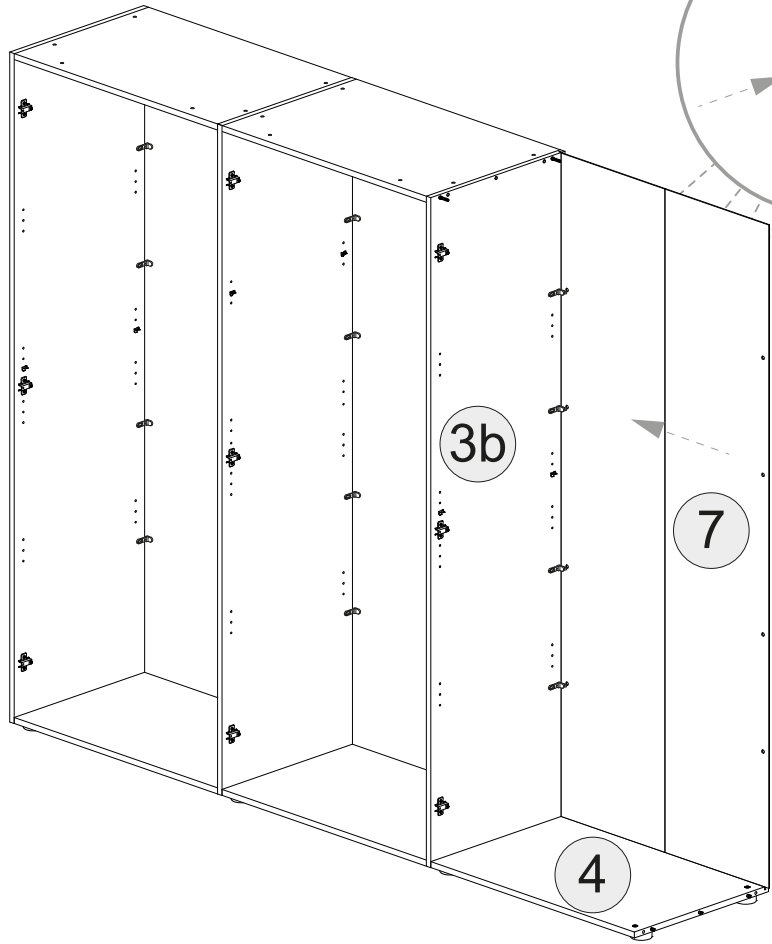
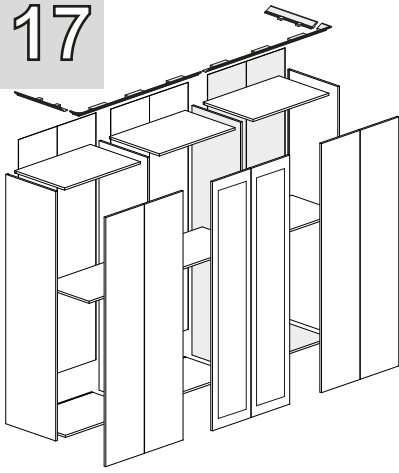
Ø3,5x16mm n.4



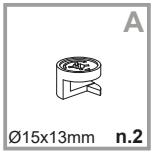
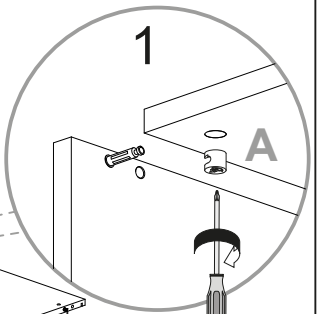
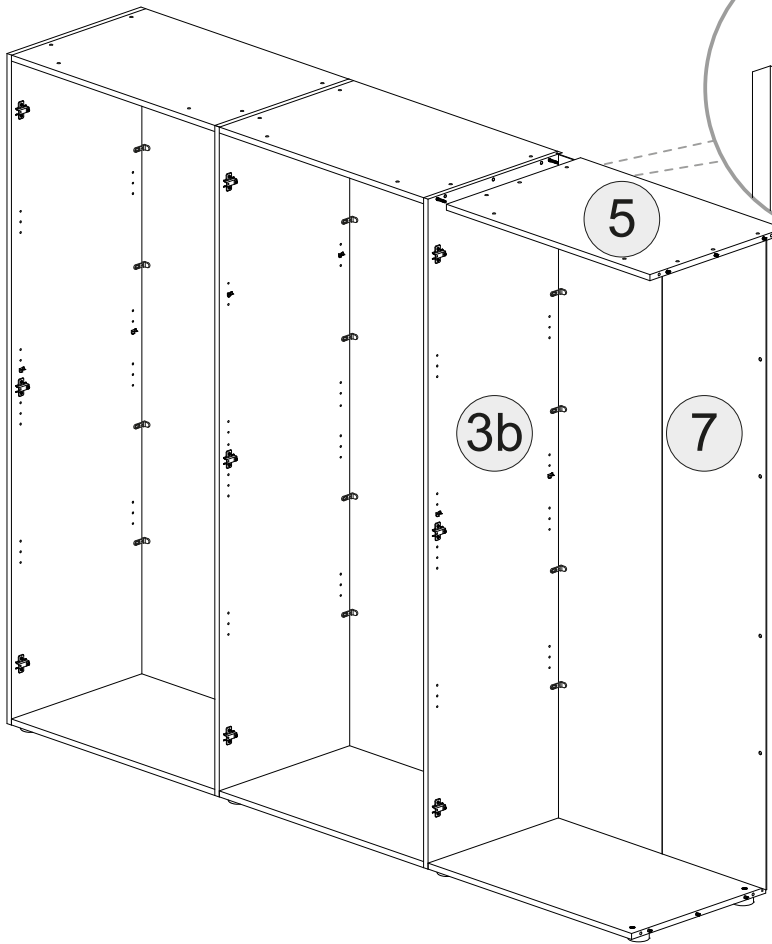
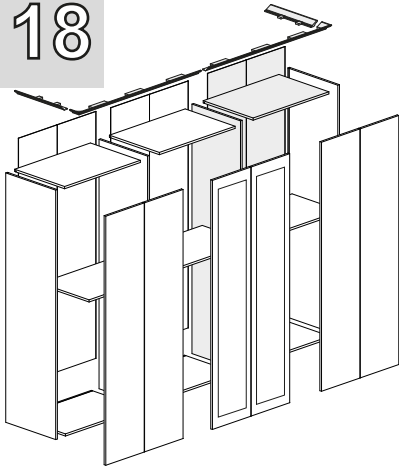
16



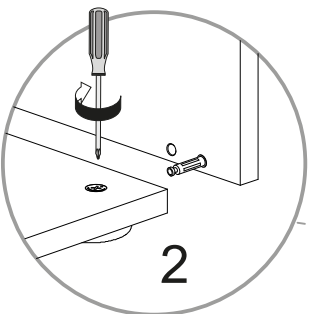
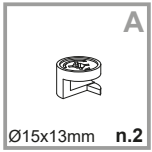
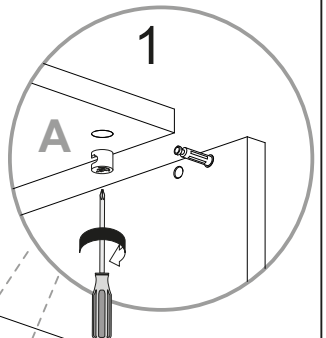
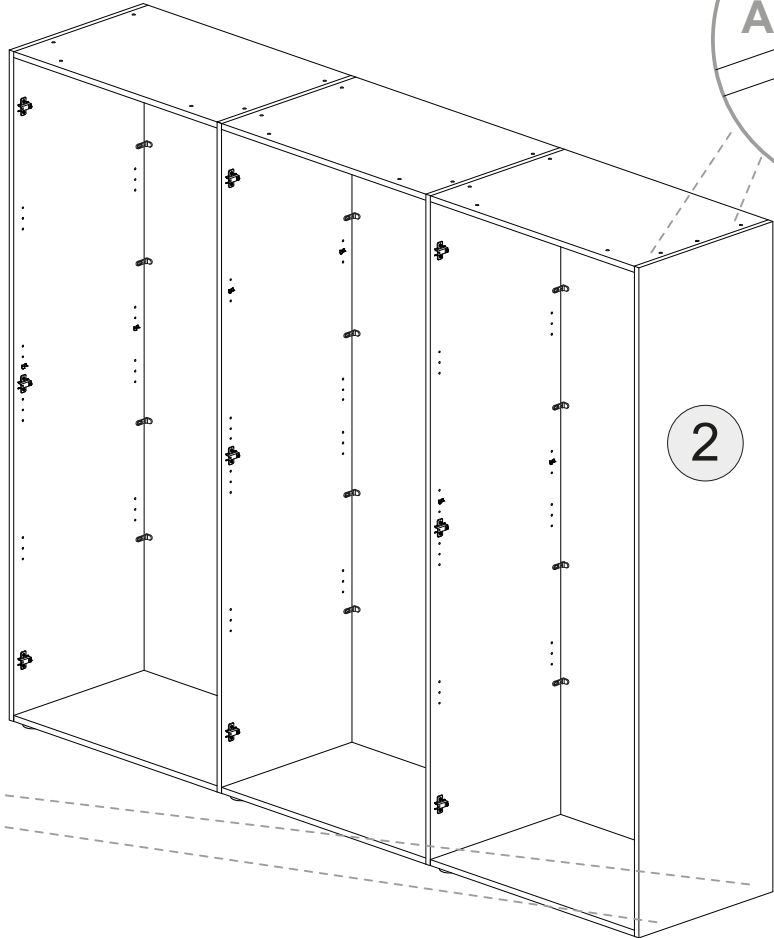
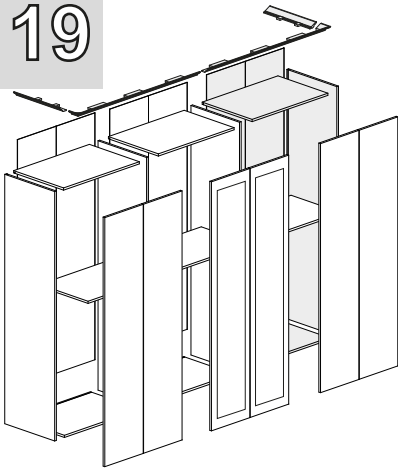
17



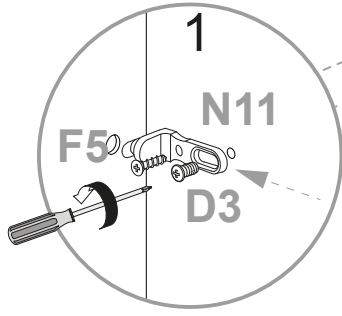
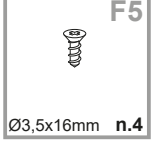
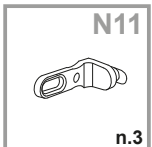
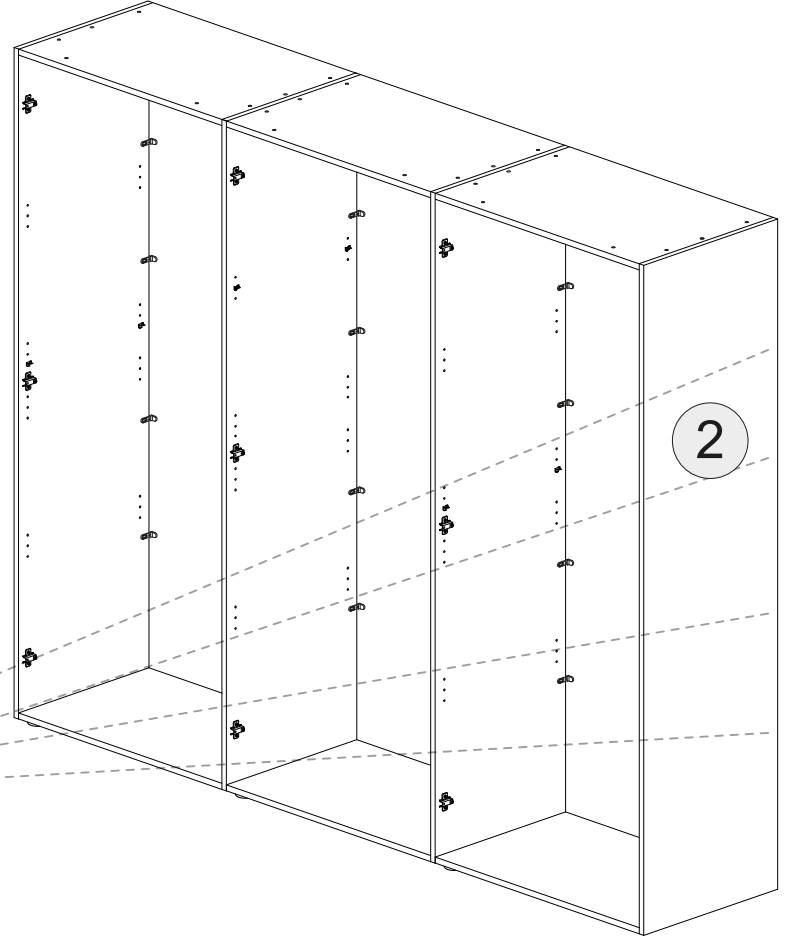
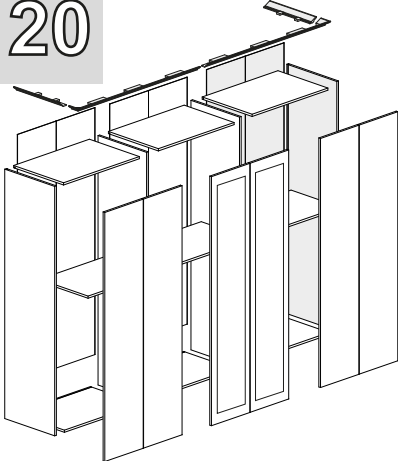
18



19

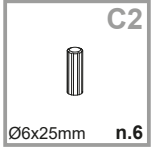
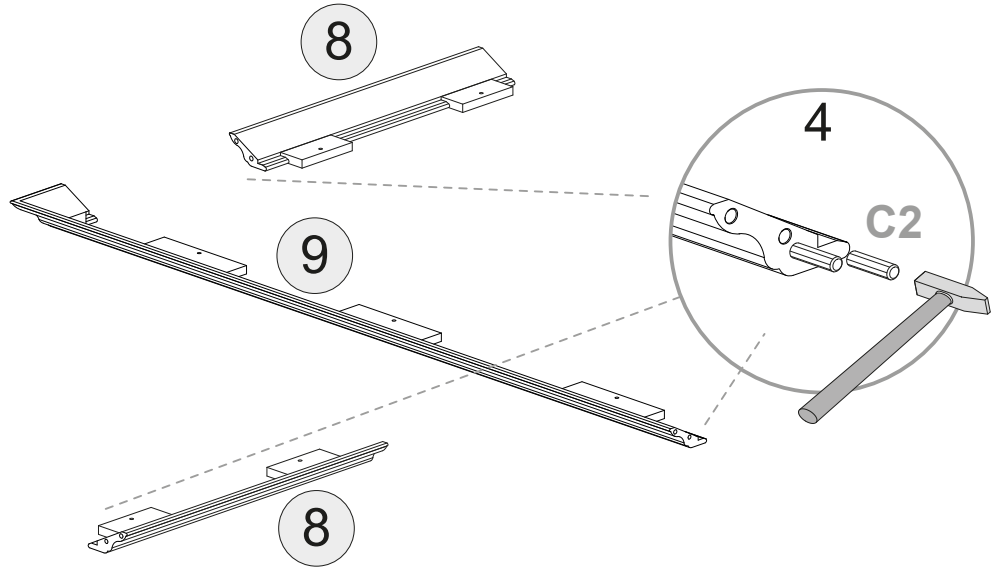
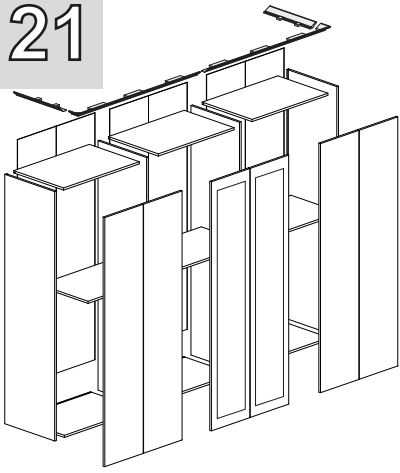


20

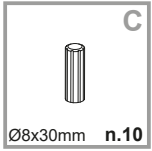
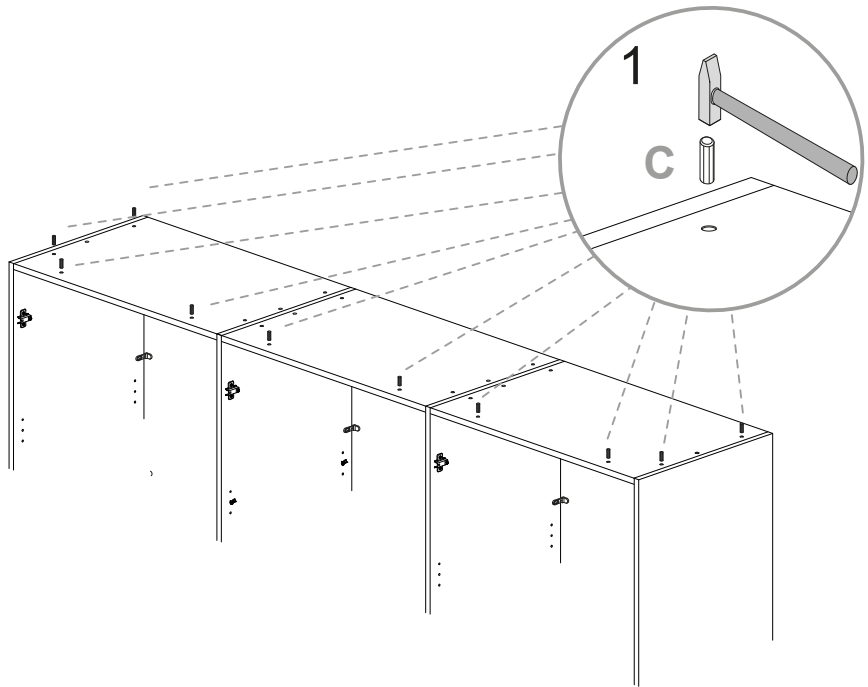
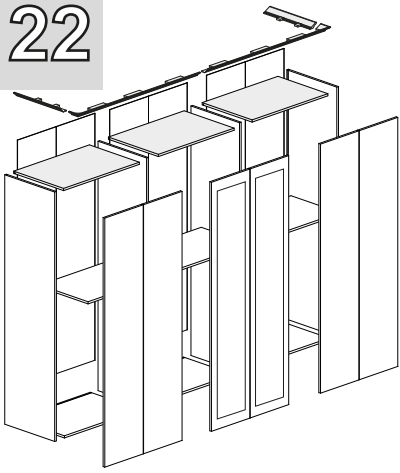


1

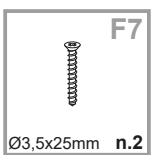
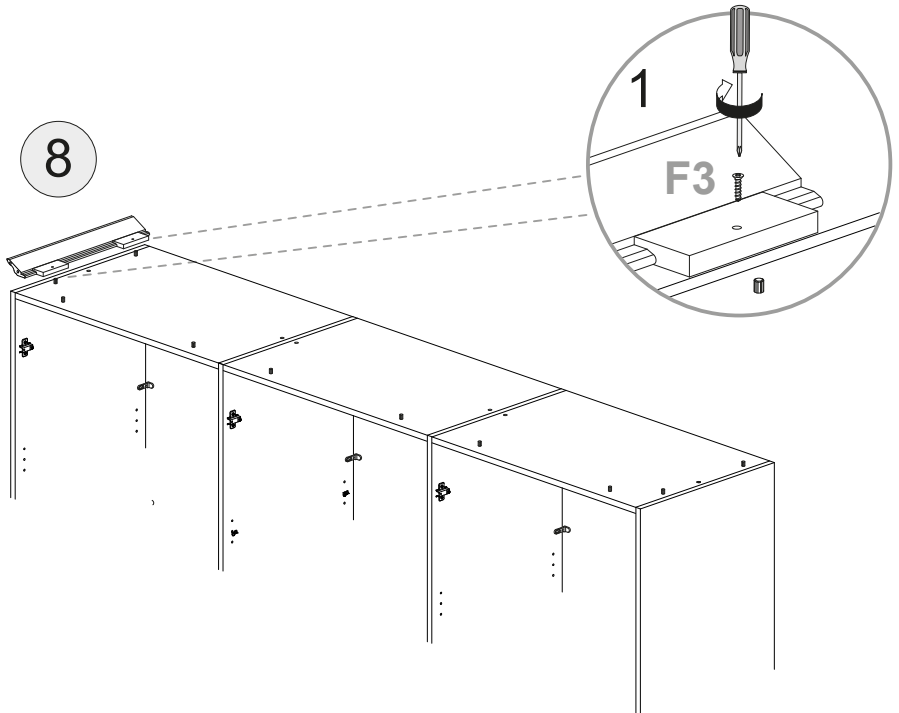
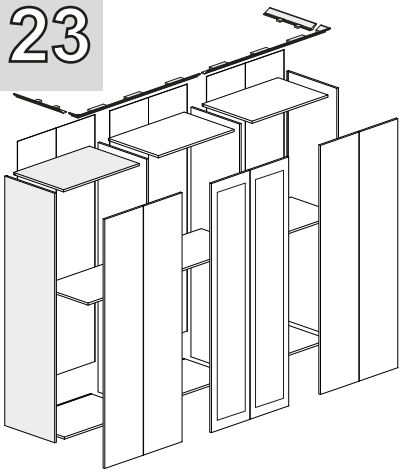
21



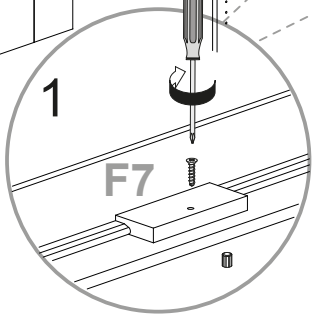
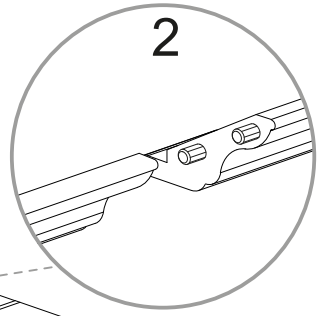
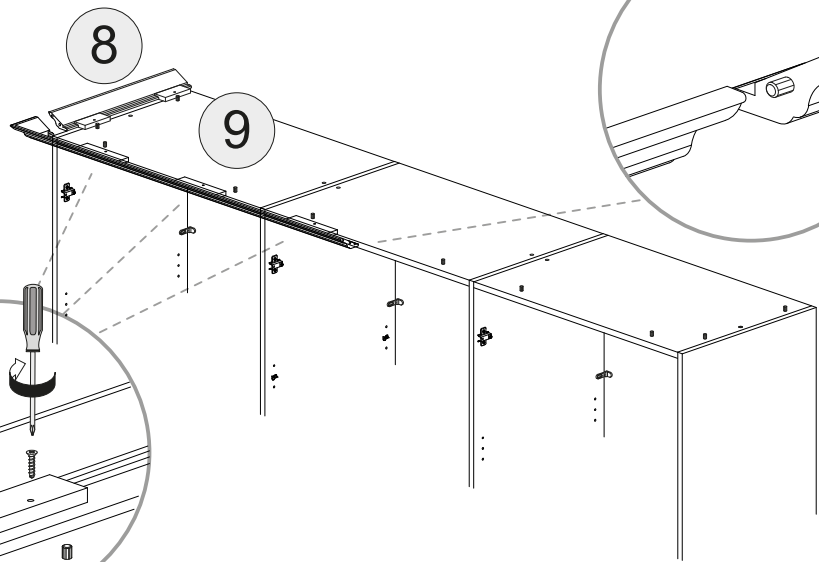
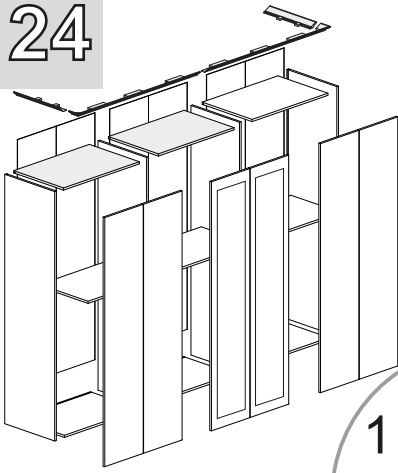
22



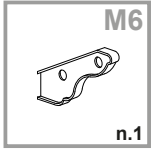
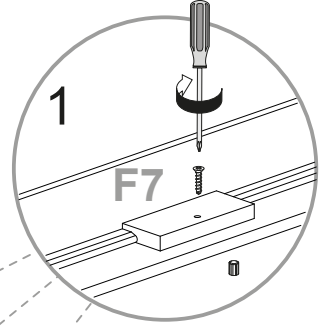
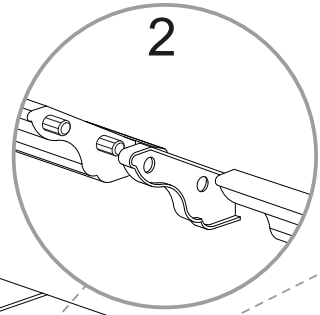
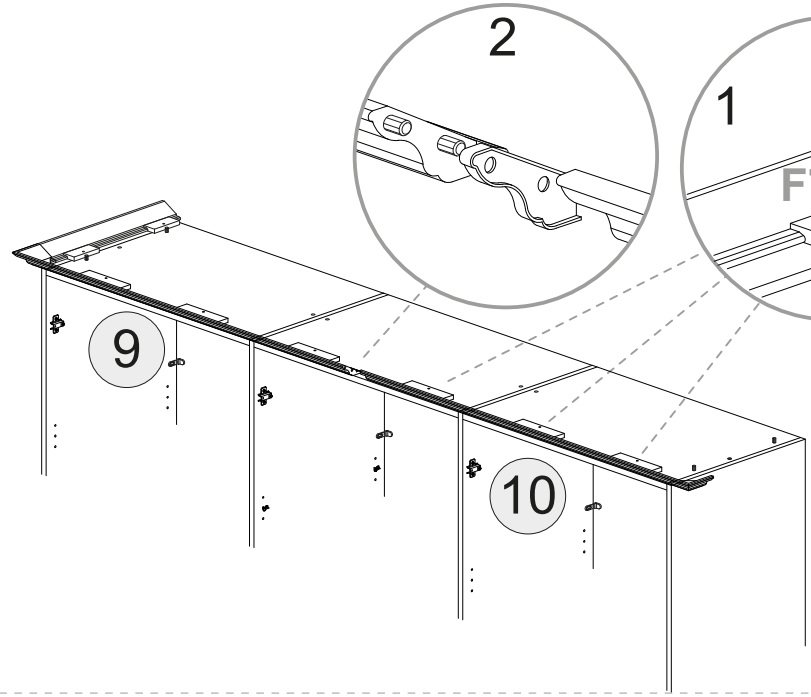
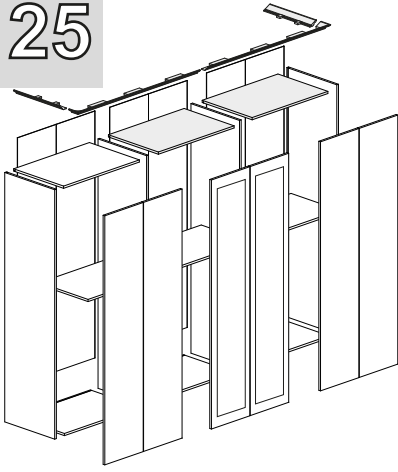
23



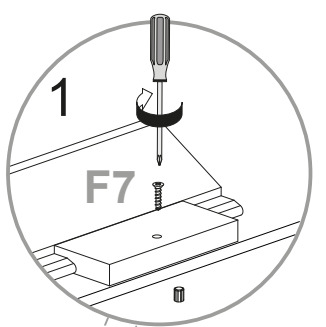
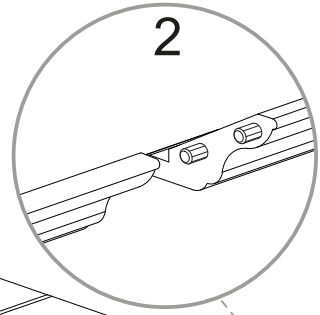
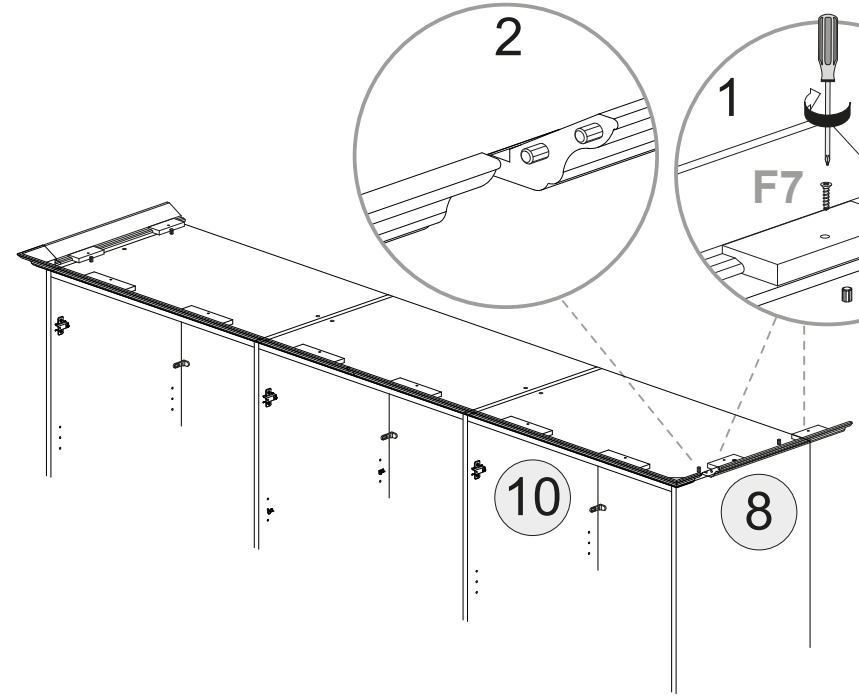
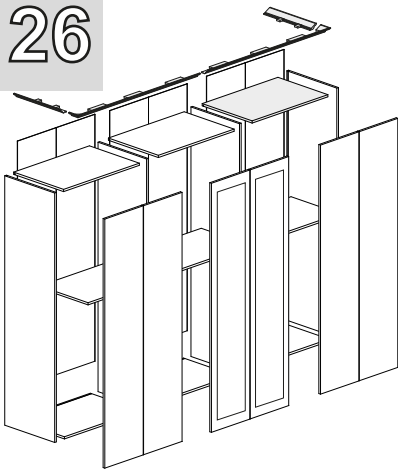
24



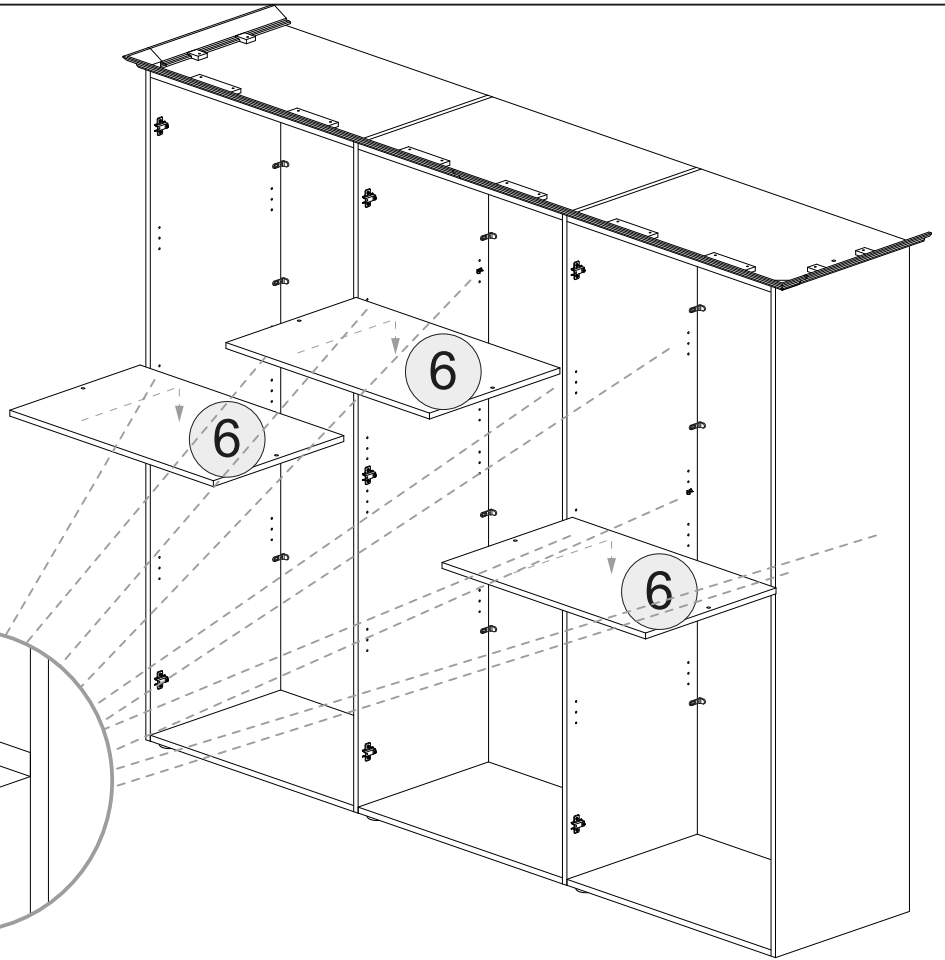
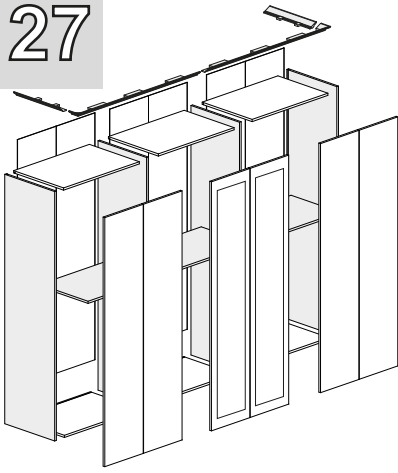
25



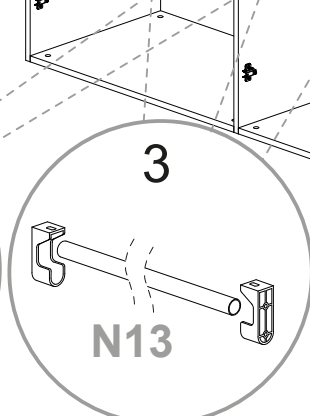
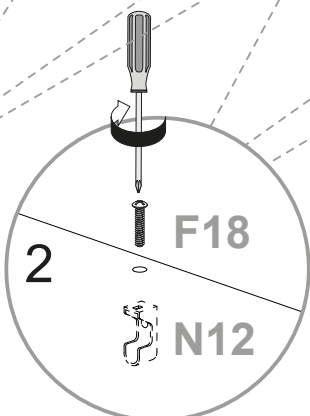
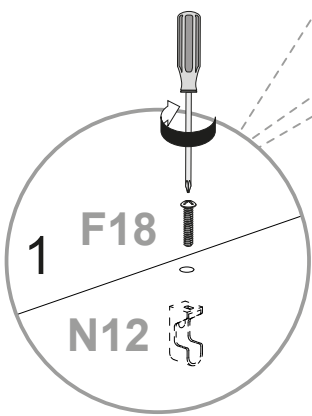
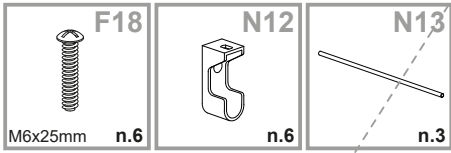
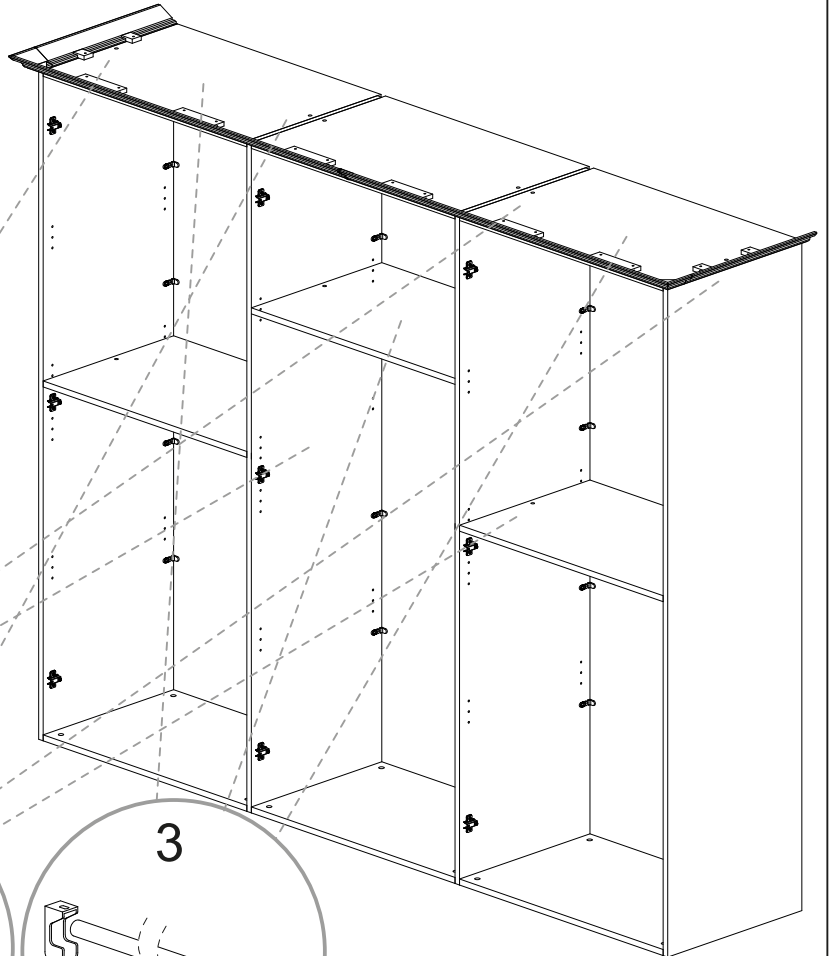
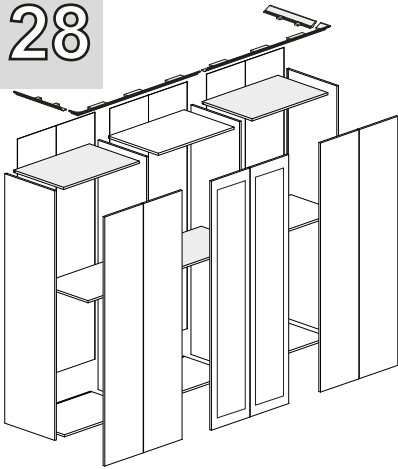
26



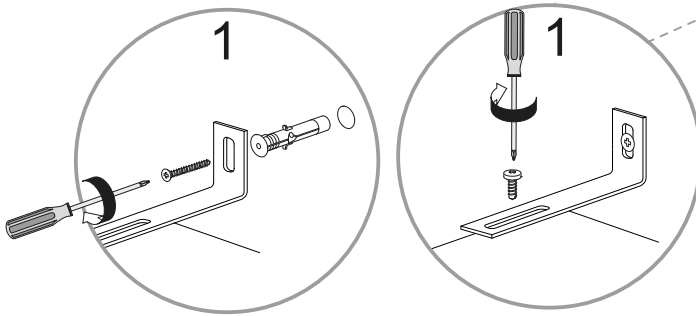
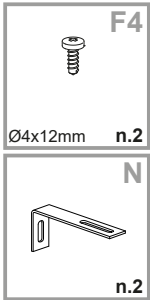
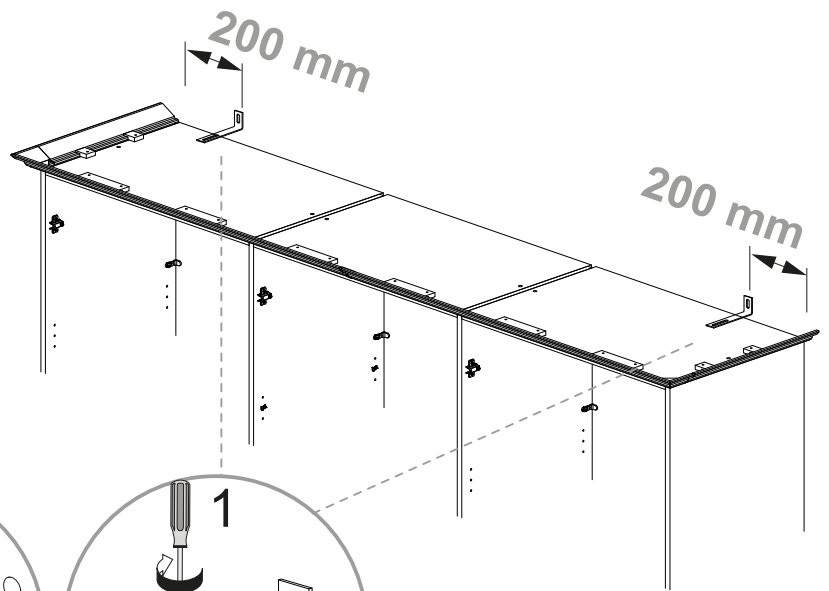
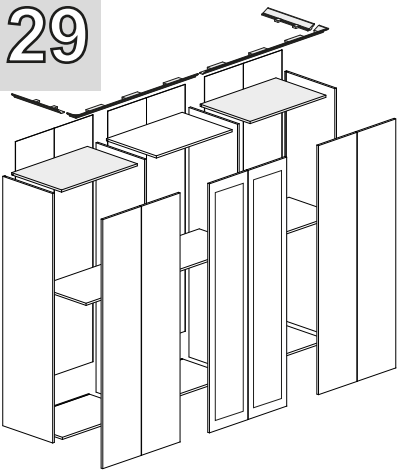
27



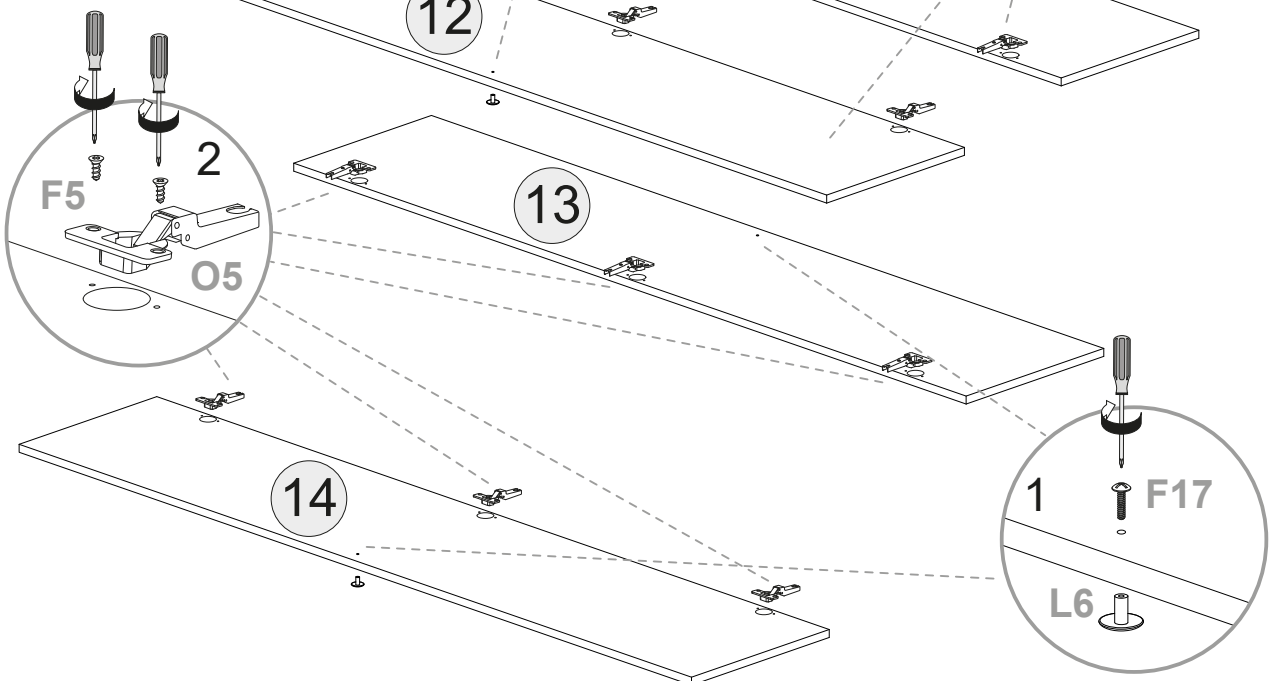
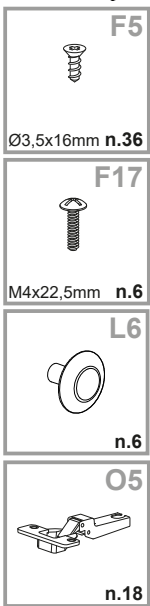
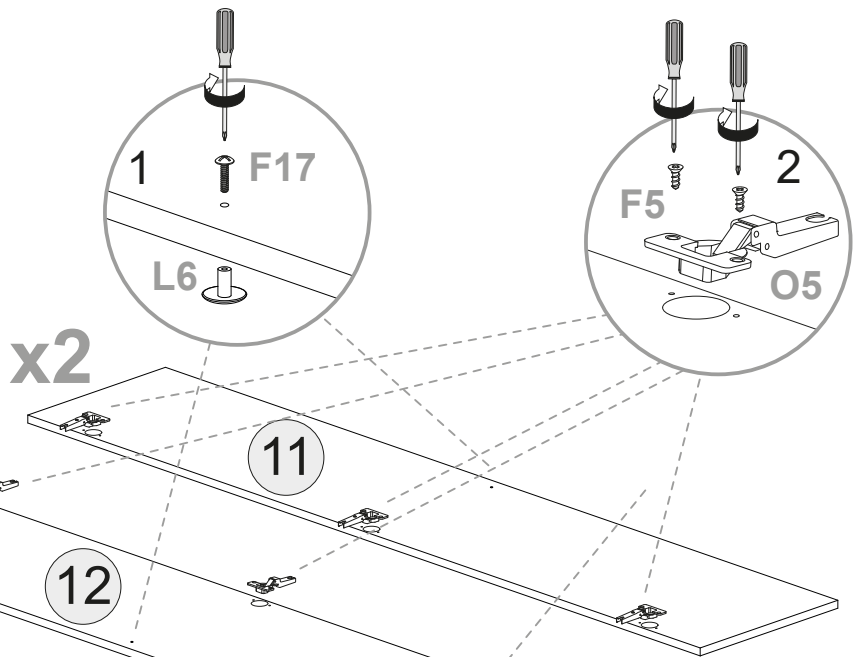
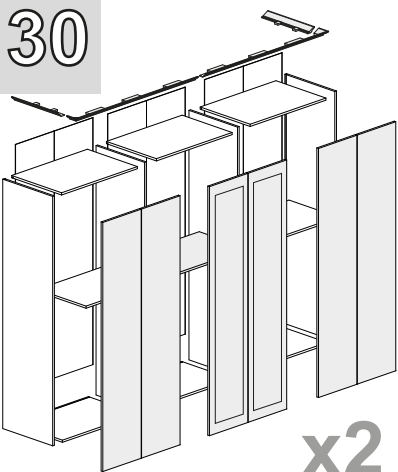
28



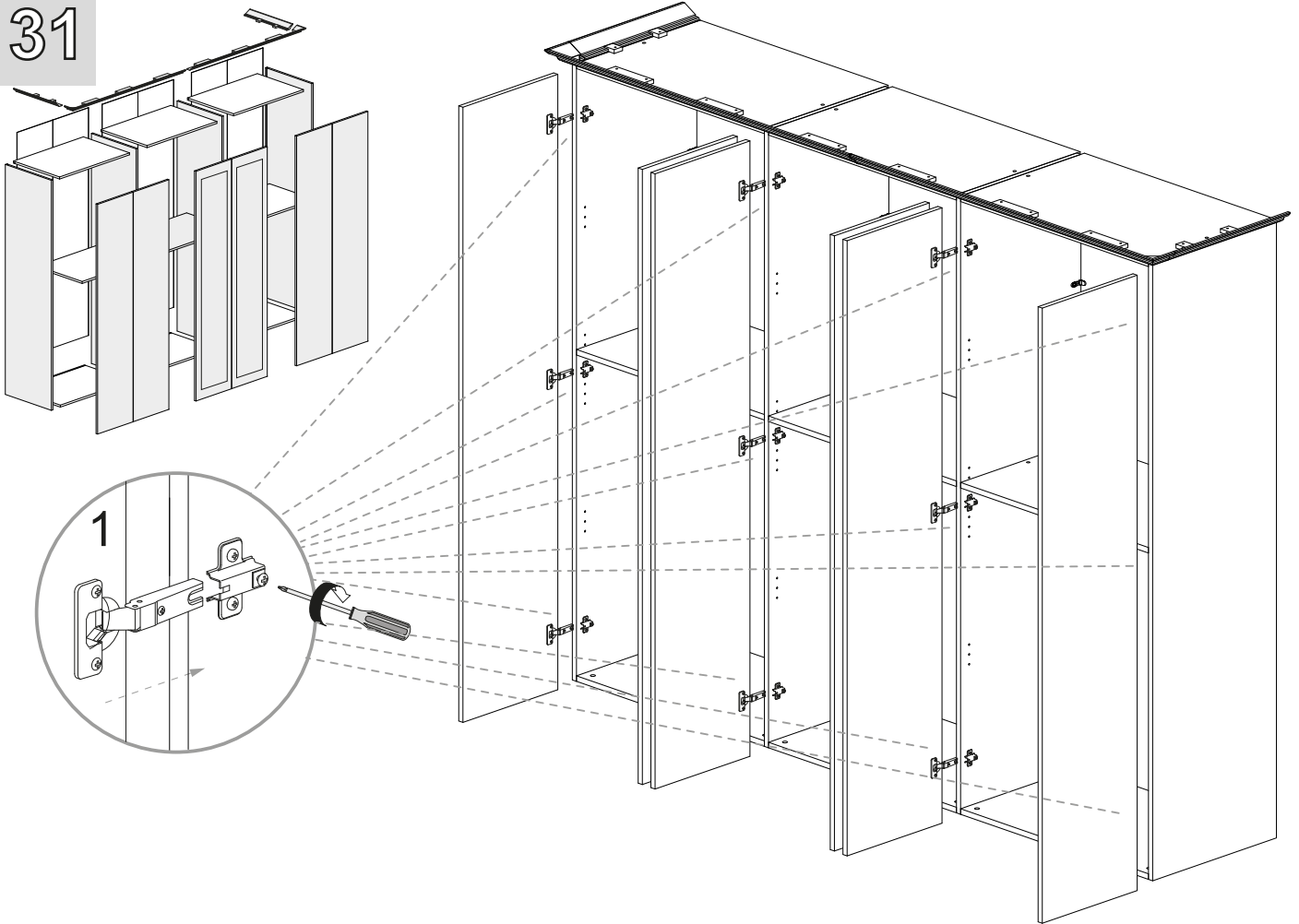
29



30



31



32

