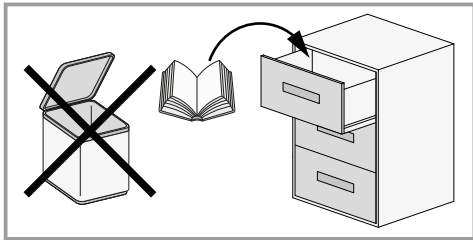
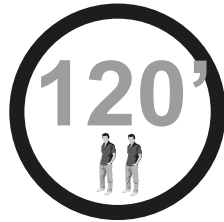
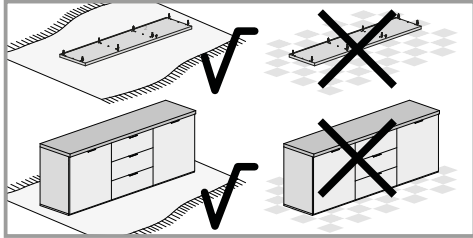
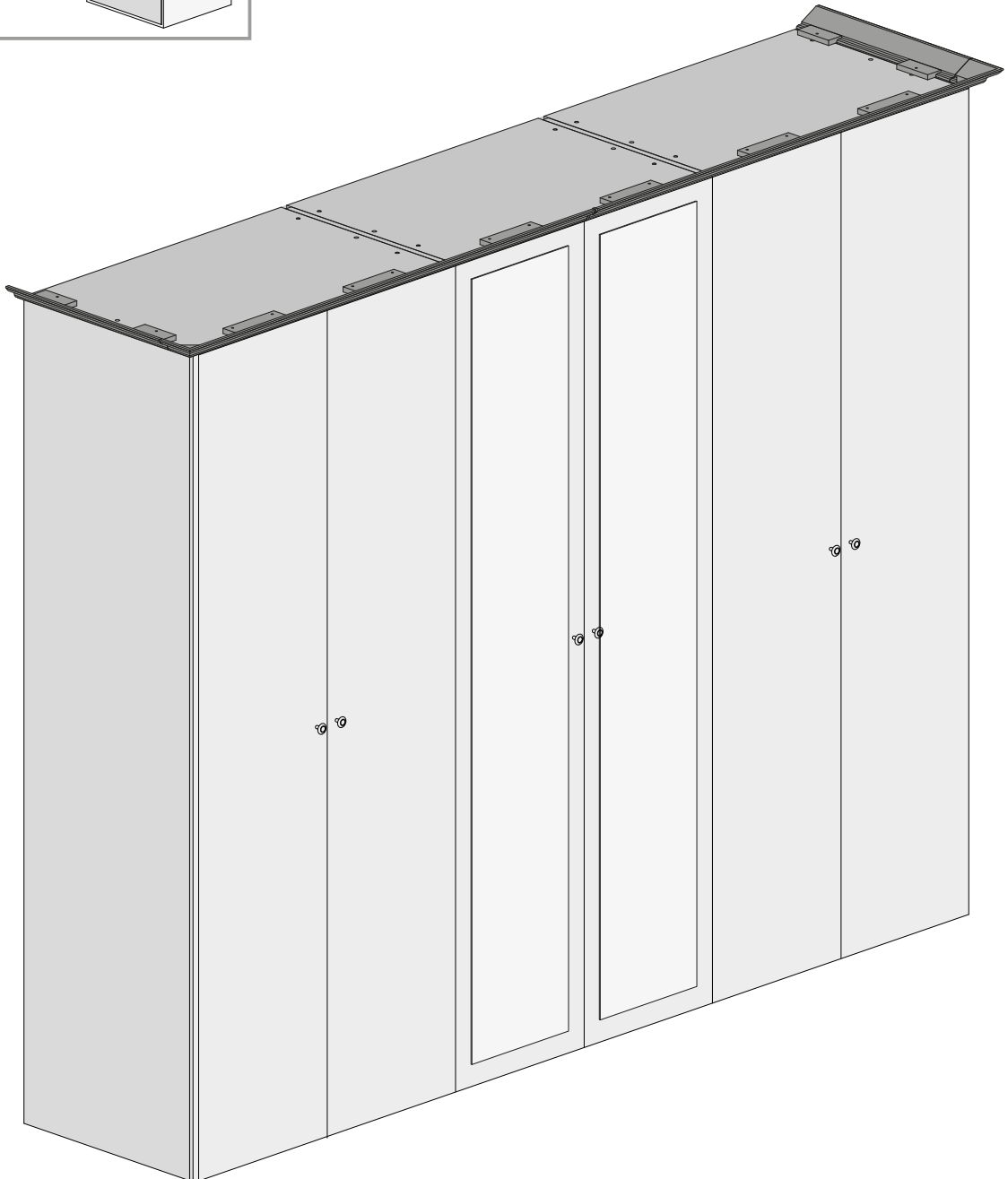


# Kleiderschrank

## 6 türig



Alice  
Elena  
Greta



## ALICE SCHWARZ

Nr. 1x1 (XP\_CTDGXFI1-308) 2015x535x18  
Nr. 2x1 (XP\_CTDGXFI1-308) 2015x535x18  
Nr. 3x2 (XP\_CTDGXTR1-OFK) 2015x520x18  
Nr. 4x3 (XP\_CTDGXBA1-OFK) 812x535x18  
Nr. 5x3 (XP\_CTDGXKP1-OFK) 812x535x18  
Nr. 6x3 (XP\_CTDGXRP1-OFK) 812x520x18  
Nr. 7x3 (XP\_CSDGXSC1-FAG) 1995x828x3  
Nr. 8x2 (XP\_CTDGXRQ5-308) 495x74x39  
Nr. 9x1 (XP\_CTDGXRQ4-308) 1313x100x39  
Nr.10x1 (XP\_CTDGXRQ3-308) 1313x100x39  
Nr.11x2 (XP\_CFDGAAA1-NGL) 2012x412x18  
Nr.12x2 (XP\_CFDGAAA2-NGL) 2012x412x18  
Nr.13x1 (XP\_CODGAAA1-308) 2012x412x18  
Nr.14x1 (XP\_CODGAAA1-308) 2012x412x18

## ELENA BEIGE

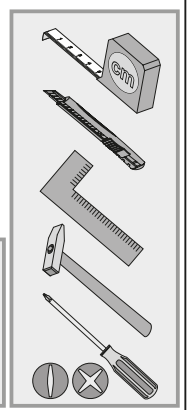
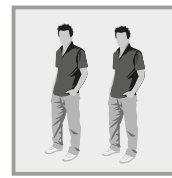
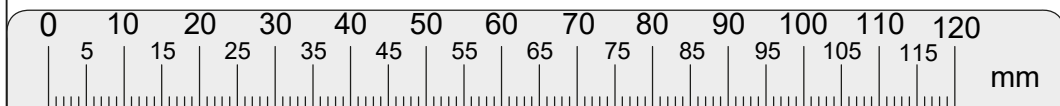
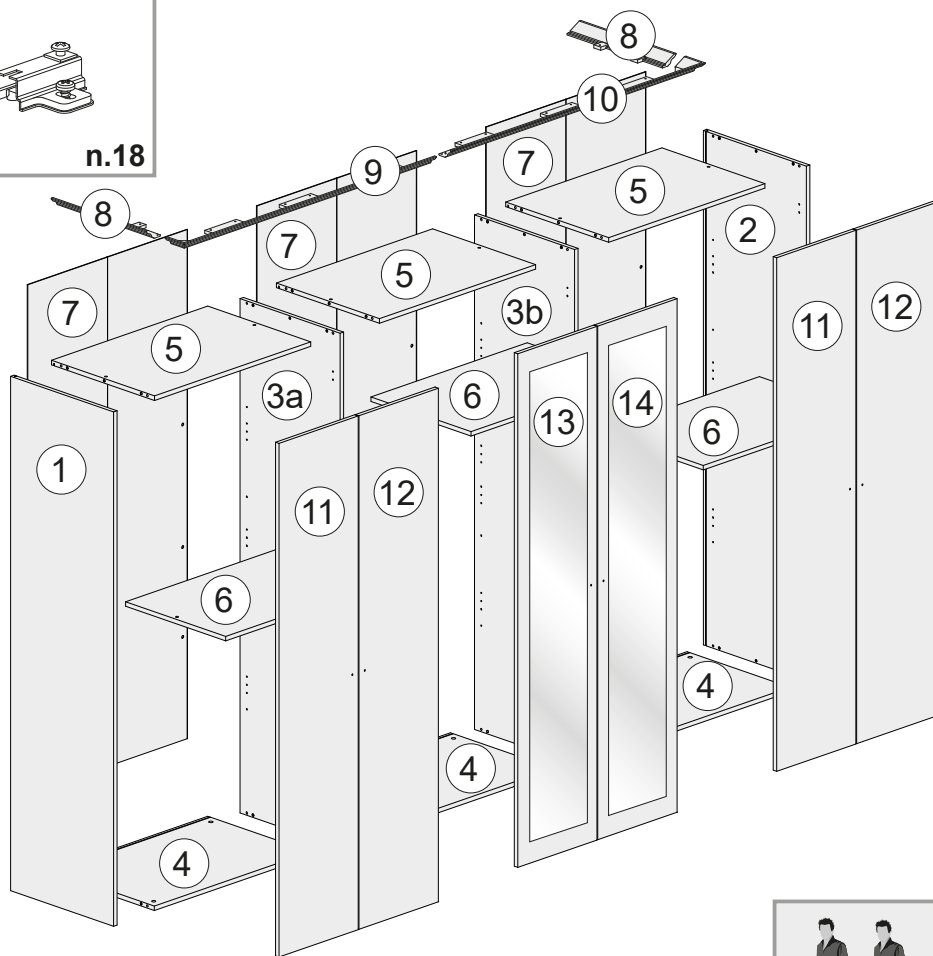
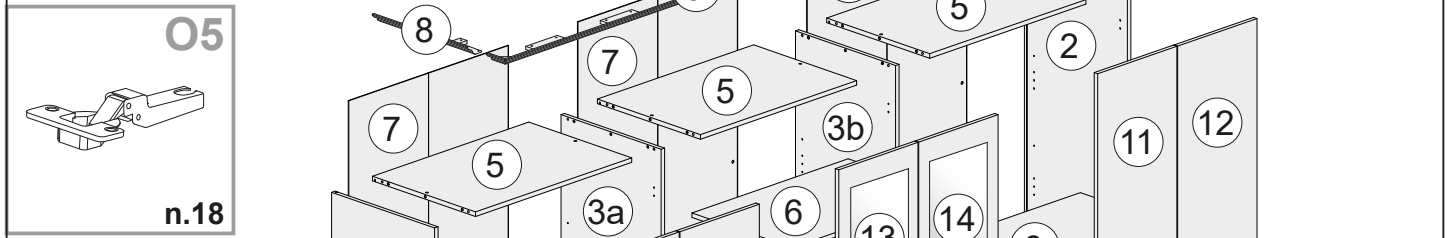
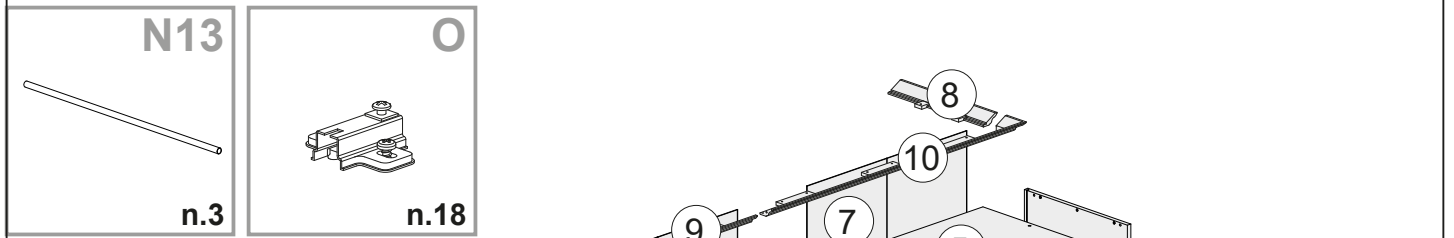
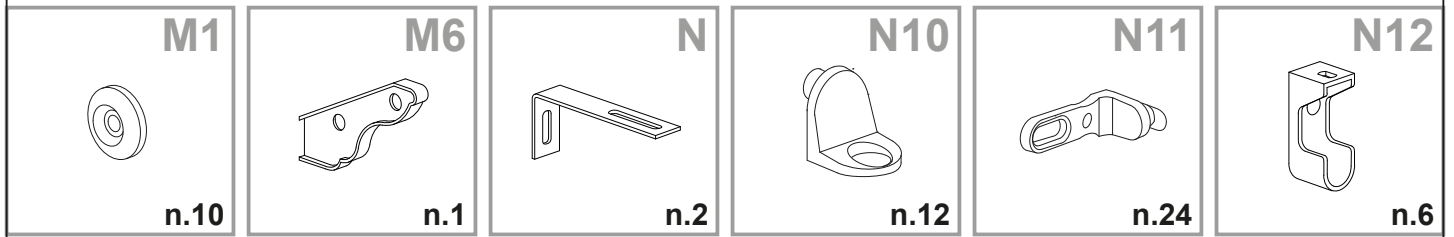
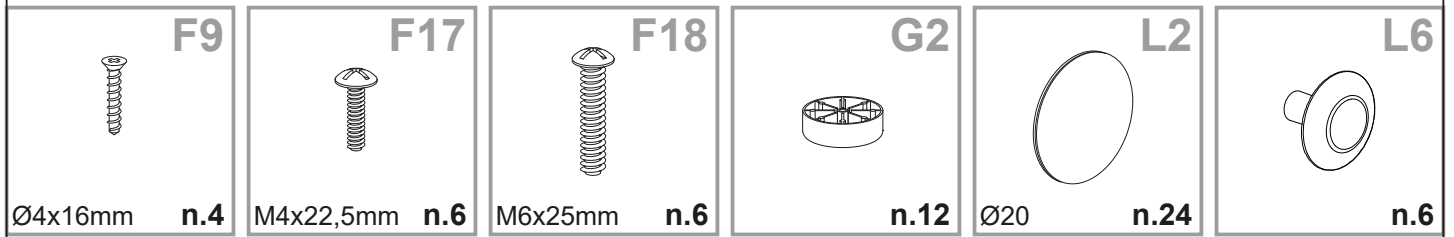
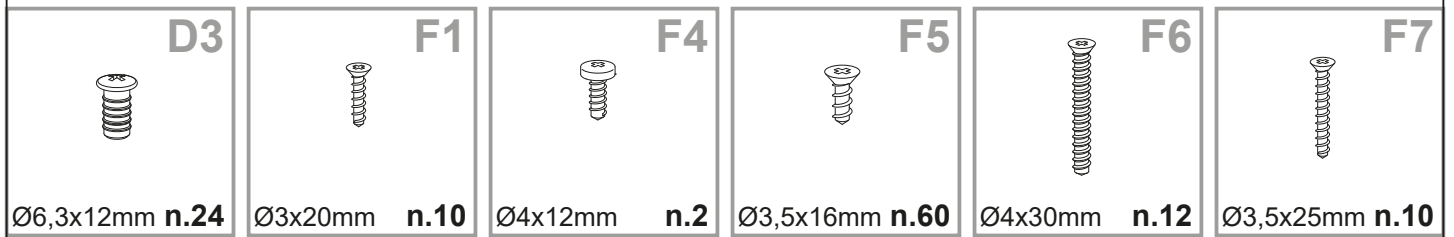
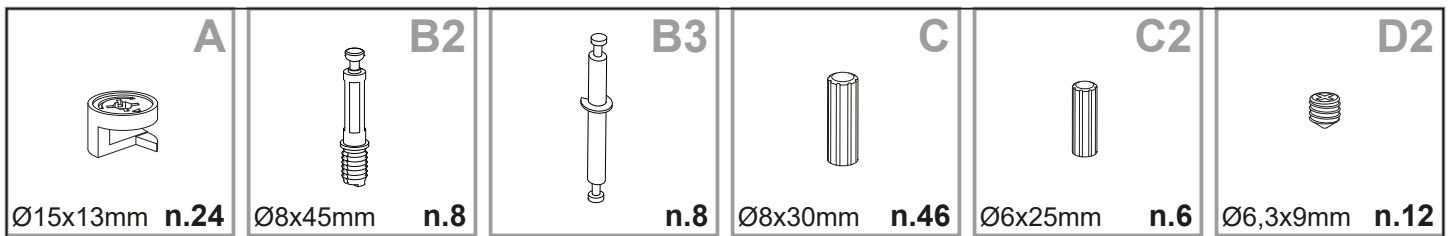
Nr. 1x1 (XP\_CTDGXFI1-XP7) 2015x535x18  
Nr. 2x1 (XP\_CTDGXFI1-XP7) 2015x535x18  
Nr. 3x2 (XP\_CTDGXTR1-OFK) 2015x520x18  
Nr. 4x3 (XP\_CTDGXBA1-OFK) 812x535x18  
Nr. 5x3 (XP\_CTDGXKP1-OFK) 812x535x18  
Nr. 6x3 (XP\_CTDGXRP1-OFK) 812x520x18  
Nr. 7x3 (XP\_CSDGXSC1-FAG) 1995x828x3  
Nr. 8x2 (XP\_CTDGXRQ5-XP7) 495x74x39  
Nr. 9x1 (XP\_CTDGXRQ4-XP7) 1313x100x39  
Nr. 10x1 (XP\_CTDGXRQ3-XP7) 1313x100x39  
Nr.11x2 (XP\_CODGEAA1-XP7) 2012x412x18  
Nr.12x2 (XP\_CODGEAA1-XP7) 2012x412x18  
Nr.13x1 (XP\_CODGEAA1-XP7) 2012x412x18  
Nr.14x1 (XP\_CODGEAA1-XP7) 2012x412x18

## ELENA NUSSBAUM

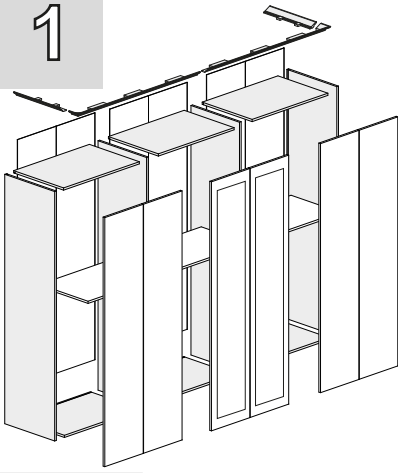
Nr. 1x1 (XP\_CTDGXFI1-XF7) 2015x535x18  
Nr. 2x1 (XP\_CTDGXFI1-XF7) 2015x535x18  
Nr. 3x2 (XP\_CTDGXTR1-OFK) 2015x520x18  
Nr. 4x3 (XP\_CTDGXBA1-OFK) 812x535x18  
Nr. 5x3 (XP\_CTDGXKP1-OFK) 812x535x18  
Nr. 6x3 (XP\_CTDGXRP1-OFK) 812x520x18  
Nr. 7x3 (XP\_CSDGXSC1-FAG) 1995x828x3  
Nr. 8x2 (XP\_CTDGXRQ5-XF7) 495x74x39  
Nr. 9x1 (XP\_CTDGXRQ4-XF7) 1313x100x39  
Nr. 10x1 (XP\_CTDGXRQ3-XF7) 1313x100x39  
Nr.11x2 (XP\_CODGEAA1-XF7) 2012x412x18  
Nr.12x2 (XP\_CODGEAA1-XF7) 2012x412x18  
Nr.13x1 (XP\_CODGEAA1-XF7) 2012x412x18  
Nr.14x1 (XP\_CODGEAA1-XF7) 2012x412x18

## GRETA WEISS

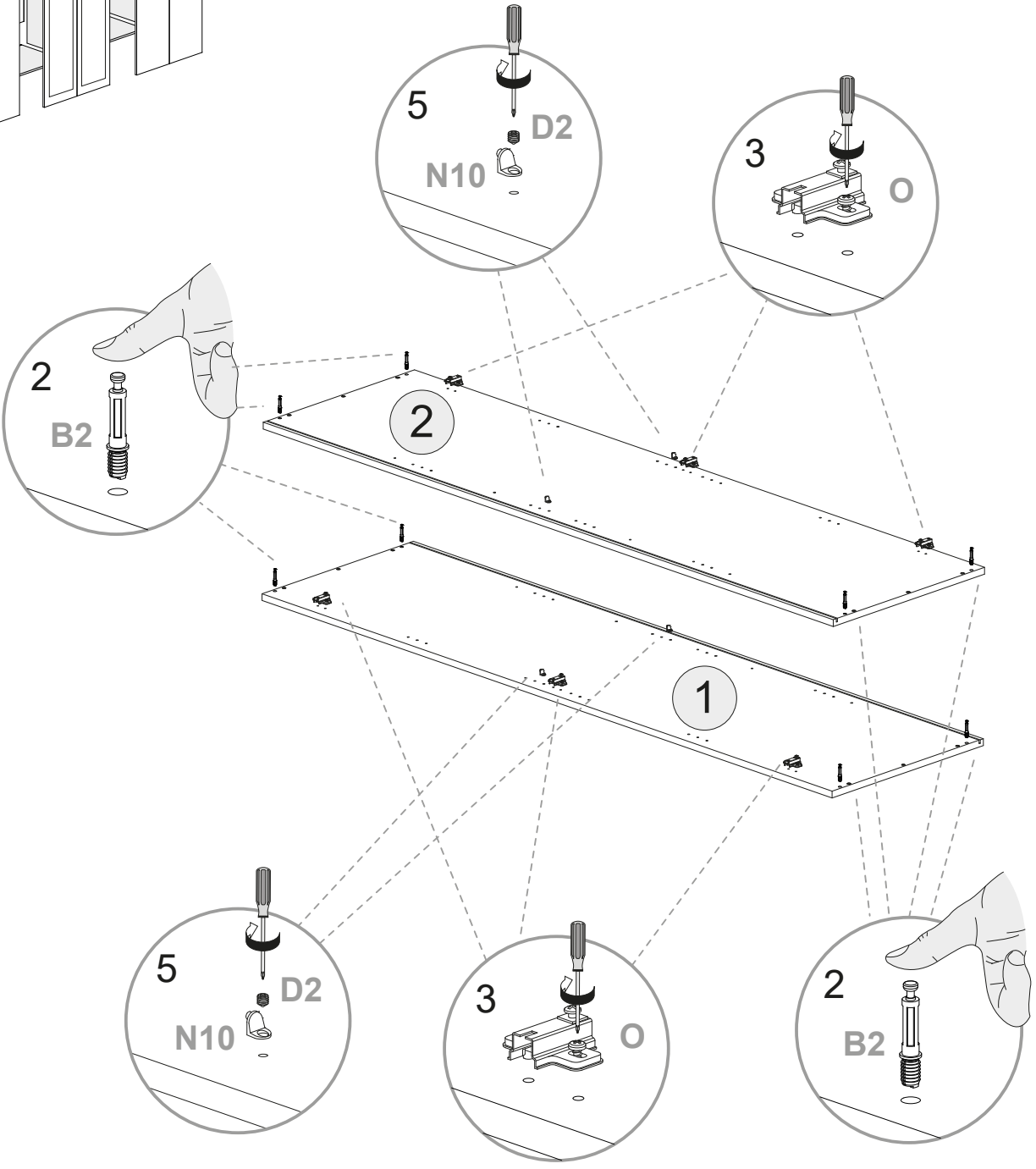
Nr. 1x1 (XP\_CTDGXFI1-235) 2015x535x18  
Nr. 2x1 (XP\_CTDGXFI1-235) 2015x535x18  
Nr. 3x2 (XP\_CTDGXTR1-OFK) 2015x520x18  
Nr. 4x3 (XP\_CTDGXBA1-OFK) 812x535x18  
Nr. 5x3 (XP\_CTDGXKP1-OFK) 812x535x18  
Nr. 6x3 (XP\_CTDGXRP1-OFK) 812x520x18  
Nr. 7x3 (XP\_CSDGXSC1-FAG) 1995x828x3  
Nr. 8x2 (XP\_CTDGXRQ5-235) 495x74x39  
Nr. 9x1 (XP\_CTDGXRQ4-235) 1313x100x39  
Nr. 10x1 (XP\_CTDGXRQ3-235) 1313x100x39  
Nr.11x2 (XP\_CFDGRAA1-BIA) 2012x412x18  
Nr.12x2 (XP\_CFDGRAA1-BIA) 2012x412x18  
Nr.13x1 (XP\_CODGRAA1-BIA) 2012x412x18  
Nr.14x1 (XP\_CODGRAA1-BIA) 2012x412x18



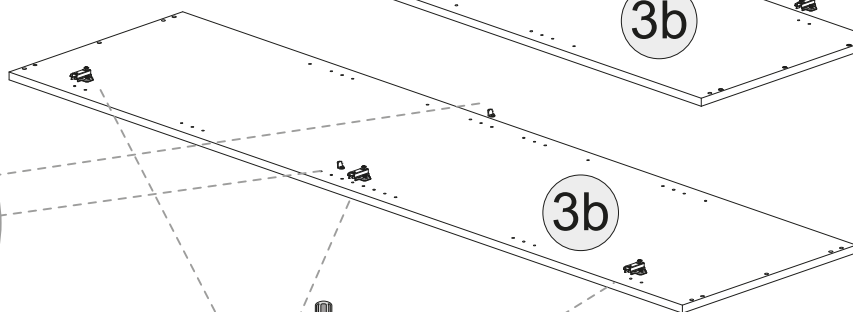
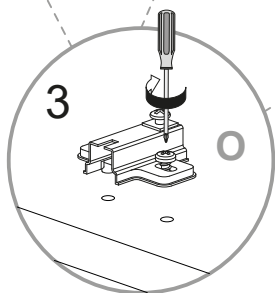
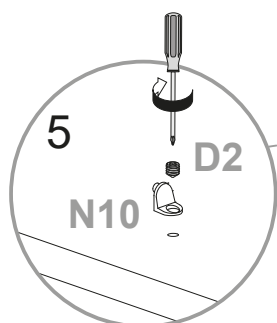
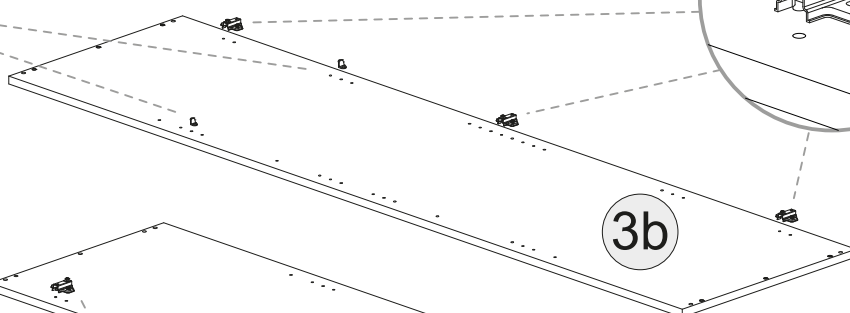
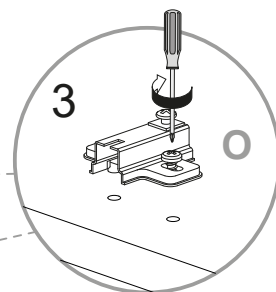
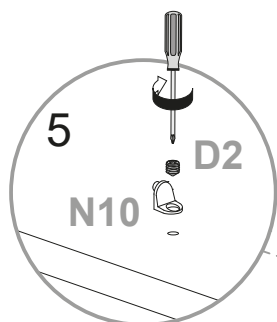
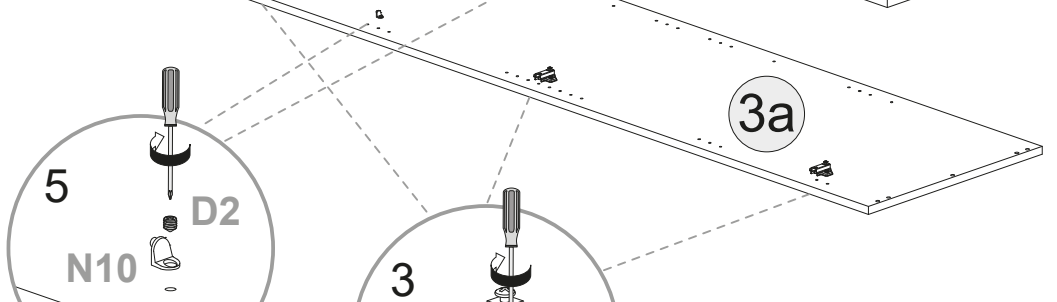
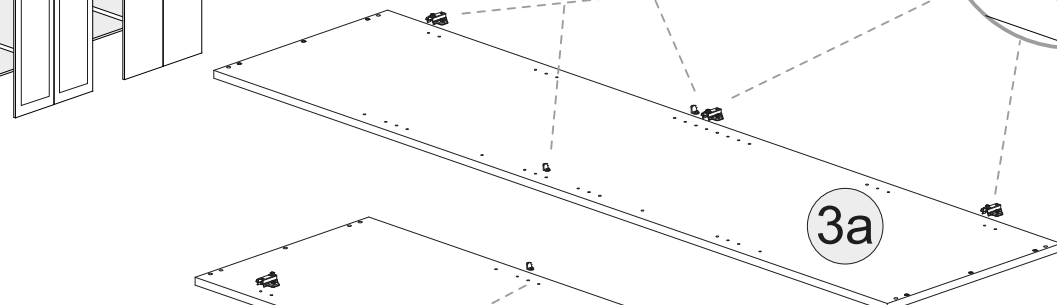
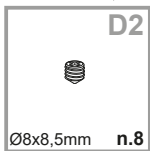
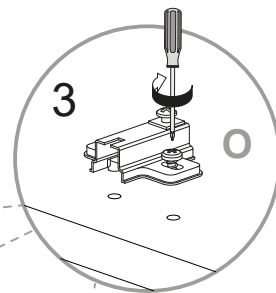
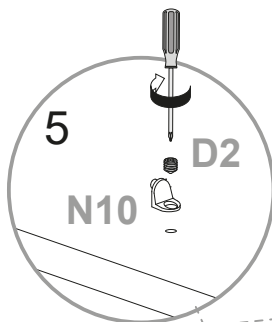
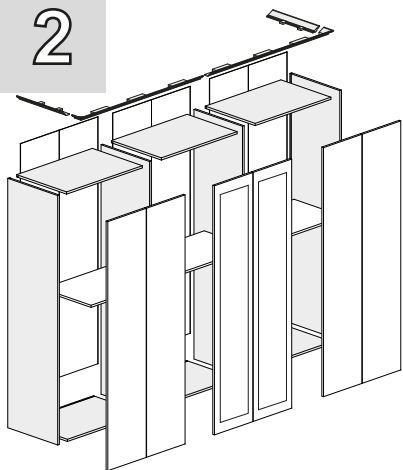
1



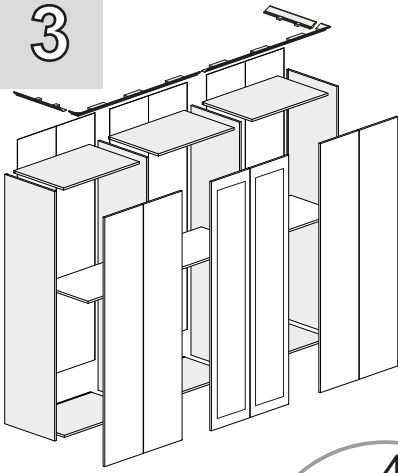
- B2**  
Ø8x45mm n.8
- D2**  
Ø8x8,5mm n.4
- N10**  
n.4
- O**  
n.6



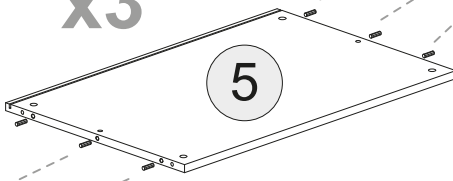
2



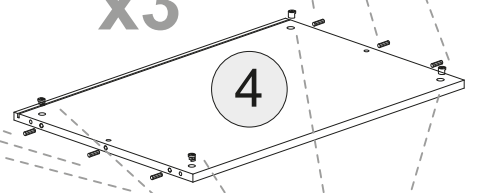
3



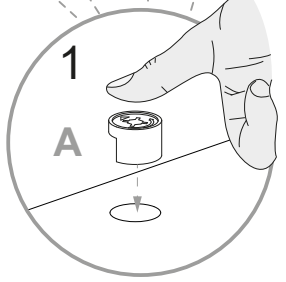
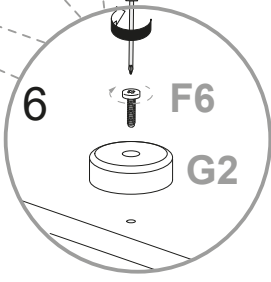
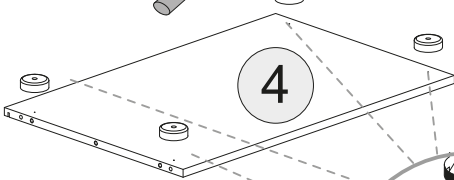
x3







x3

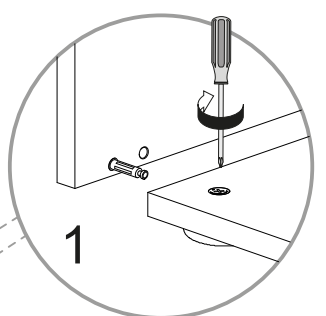
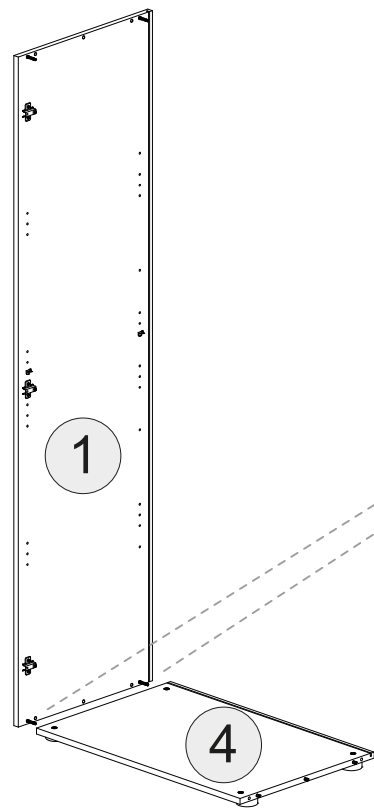
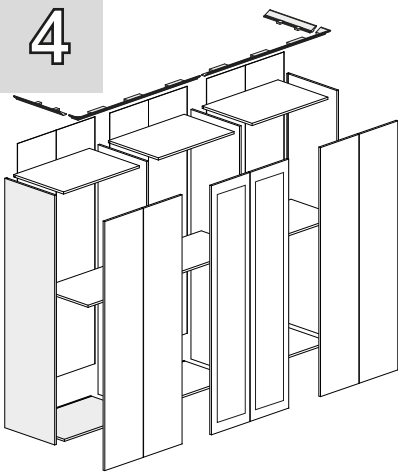


x3

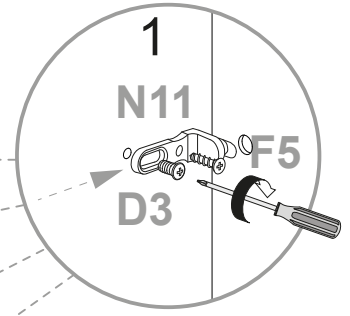
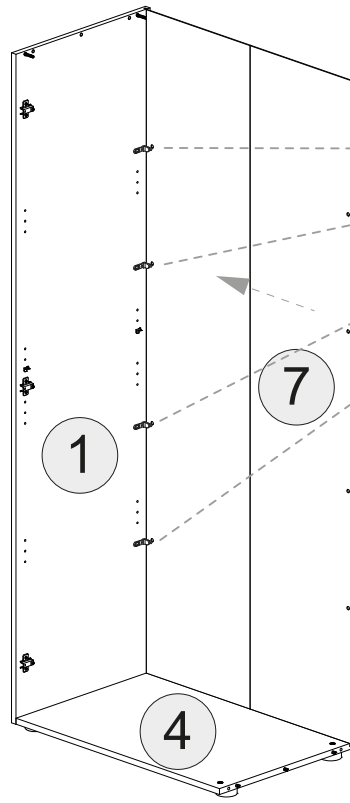
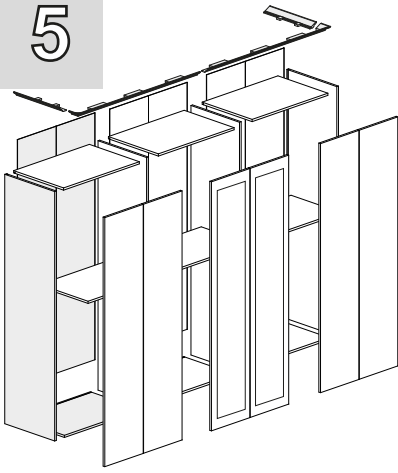


- A**  
  
Ø15x13mm n.24
- C**  
  
Ø8x30mm n.36
- F6**  
  
Ø4x30mm n.12
- G2**  
  
n.6

4



5



N11



n.4

D3



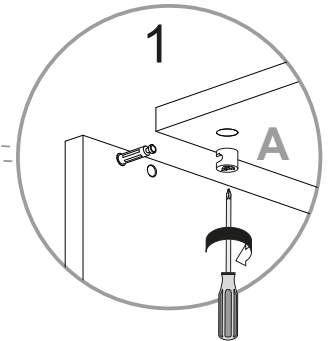
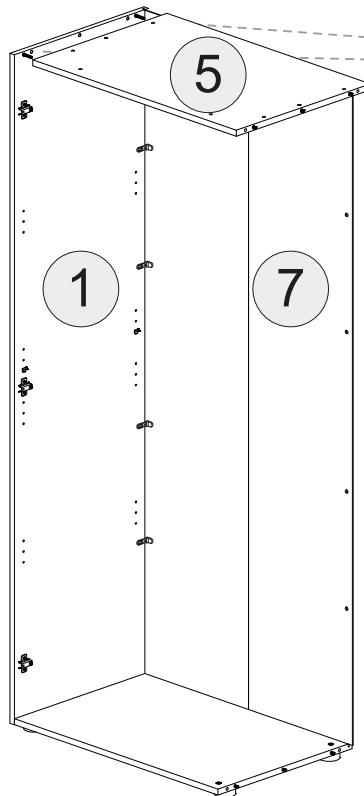
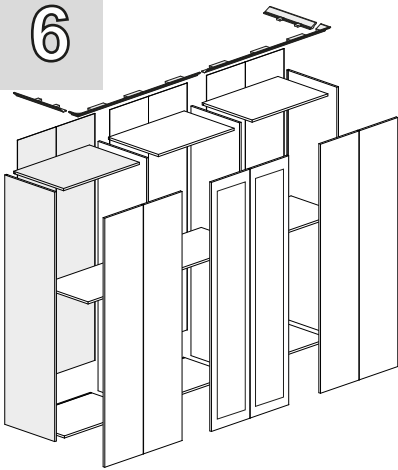
Ø6,3x12mm n.4

F5



Ø3,5x16mm n.4

6

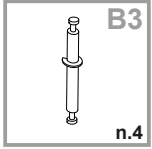
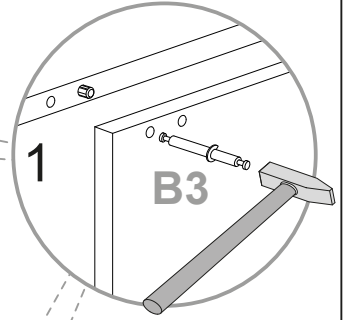
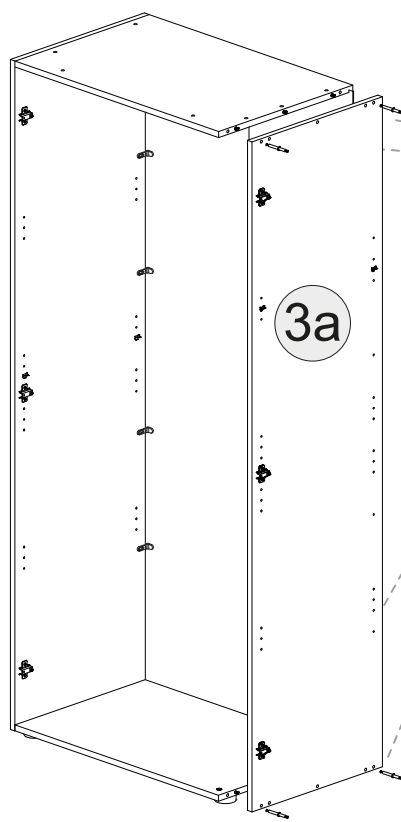
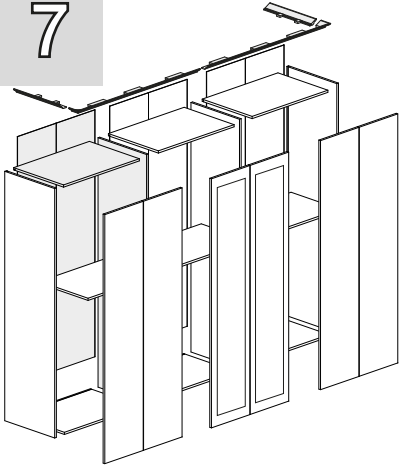


A



Ø15x13mm n.2

7

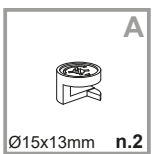
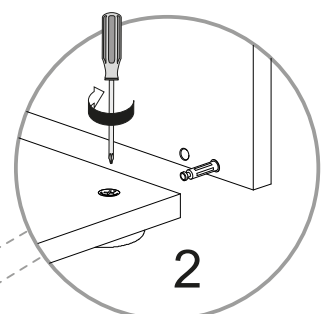
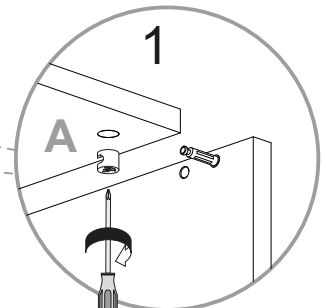
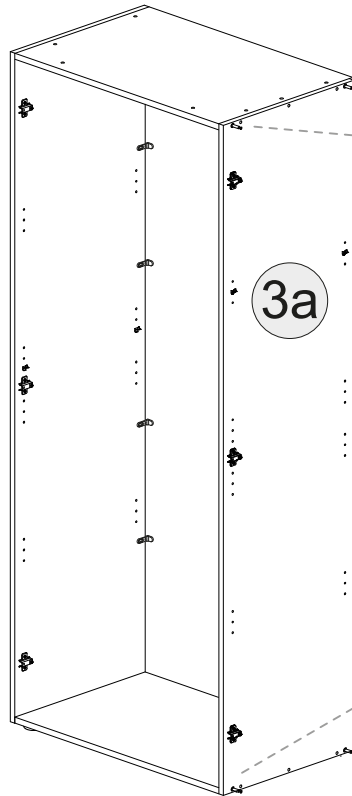
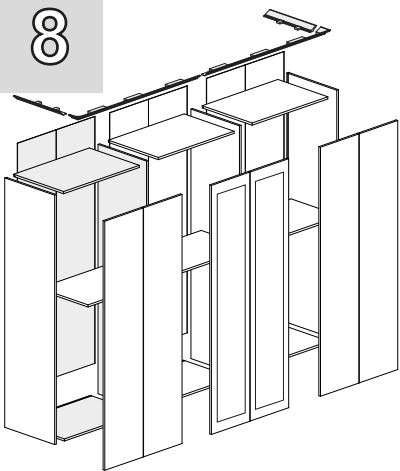


3a

1

B3

8



3a

1

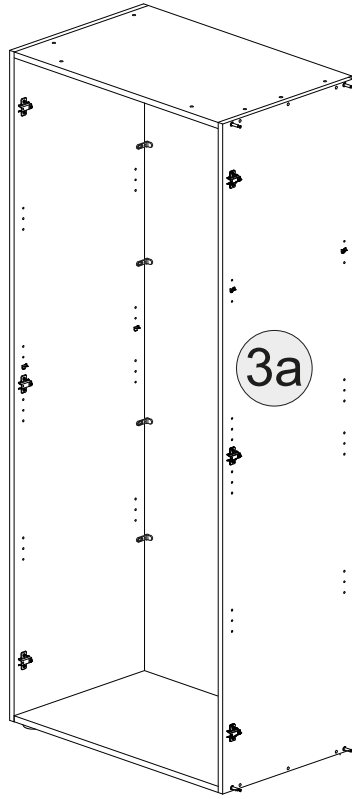
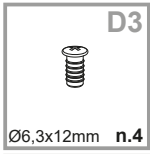
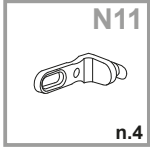
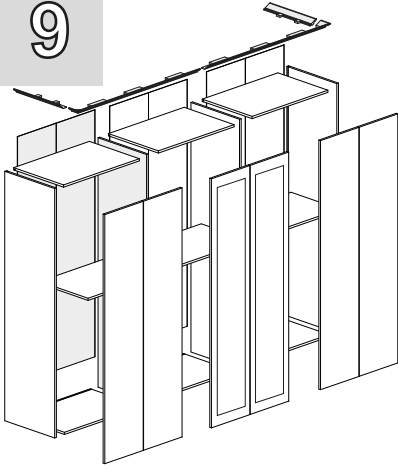
A

2

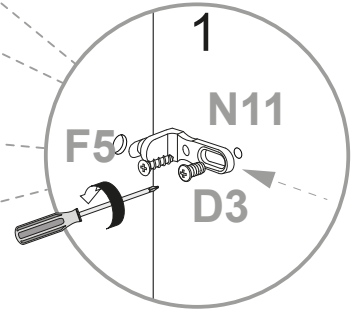
Ø15x13mm n.2



9



3a



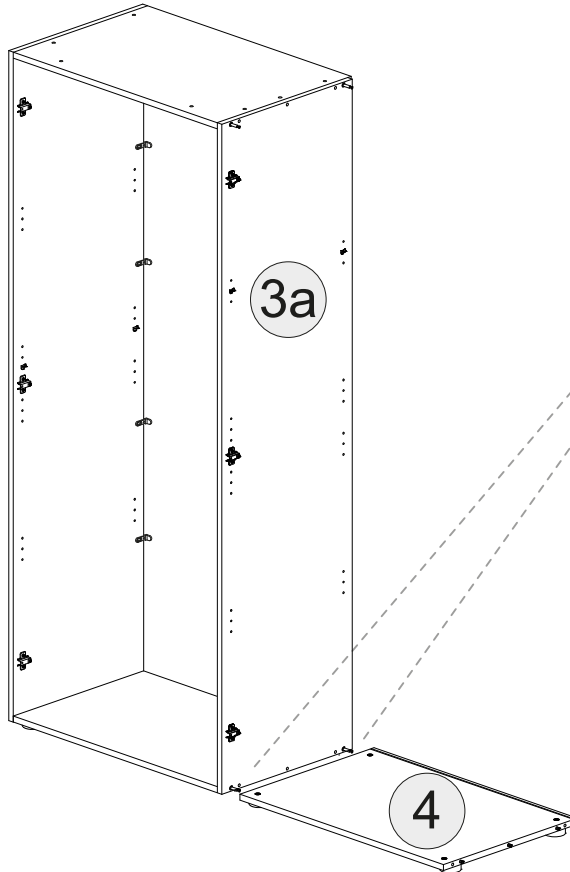
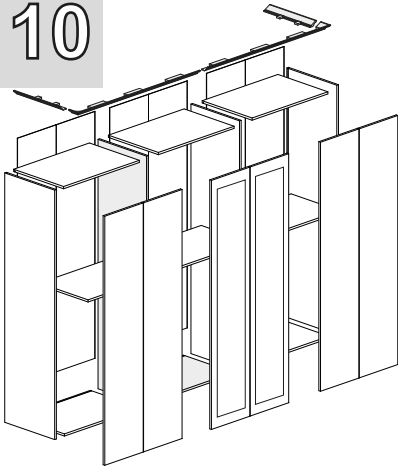
1

N11

F5

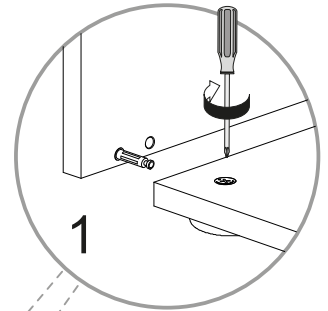
D3

10



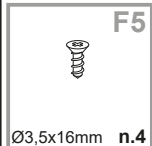
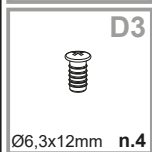
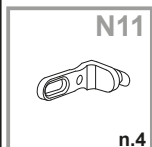
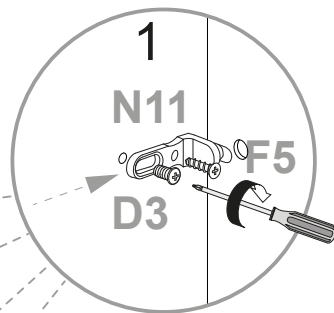
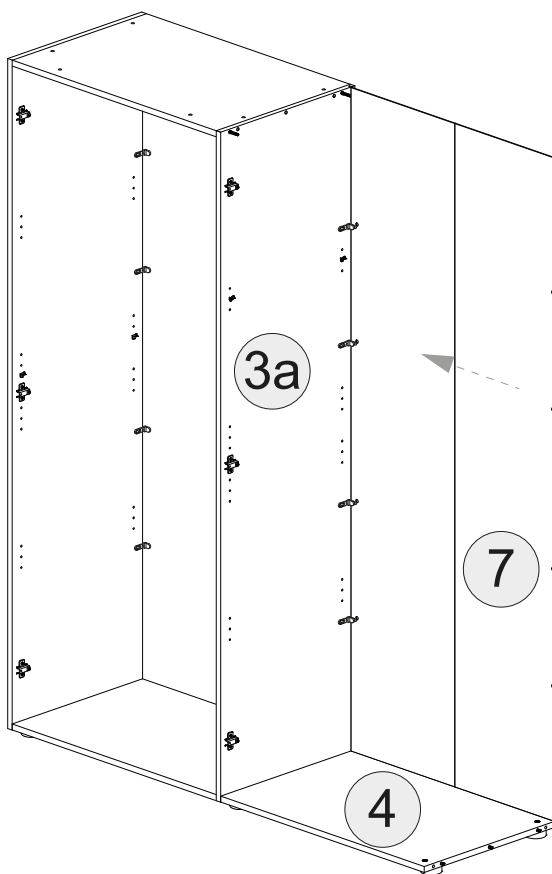
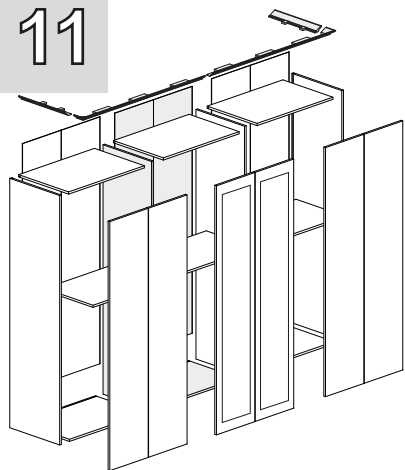
3a

4

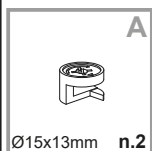
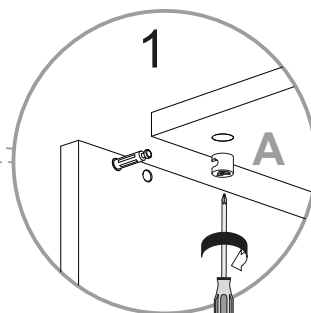
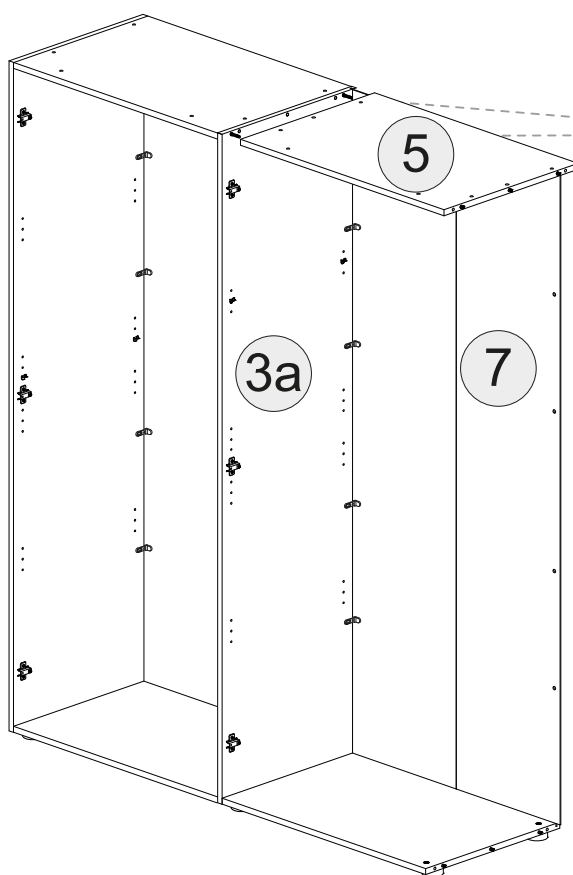
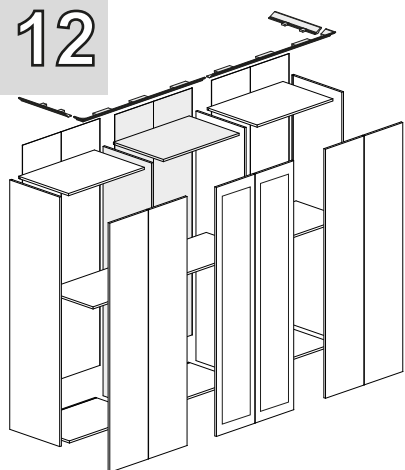


1

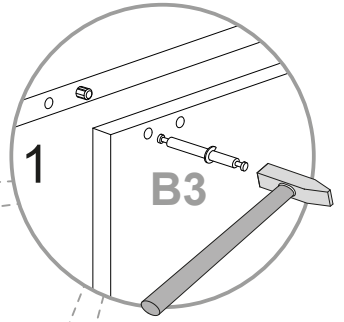
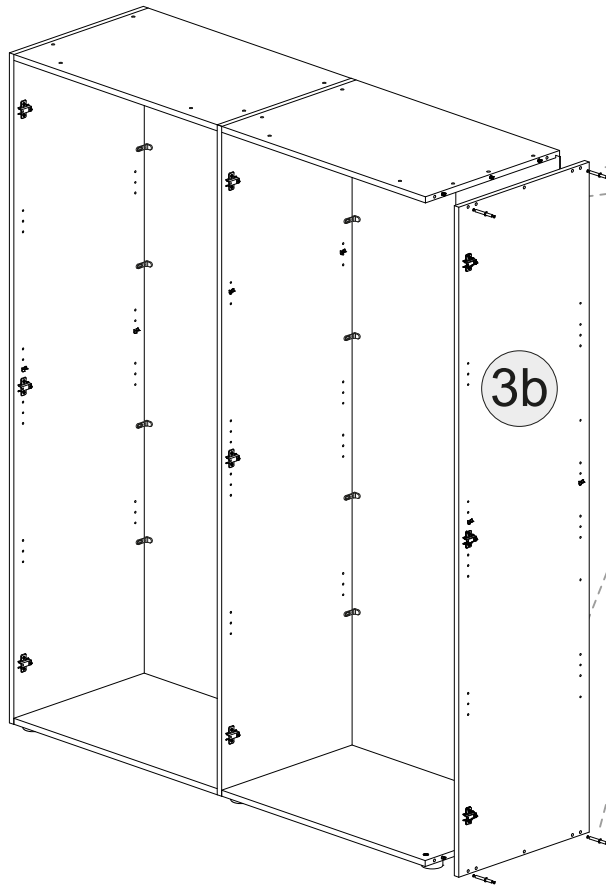
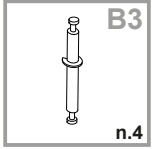
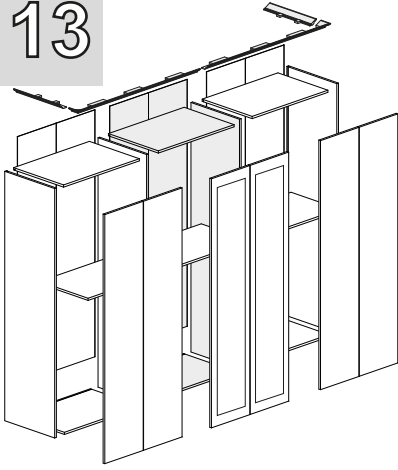
11



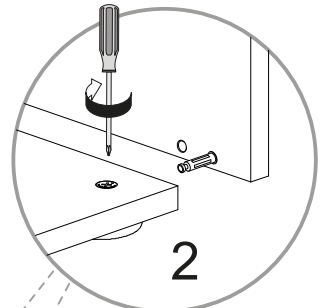
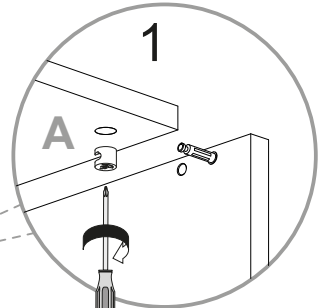
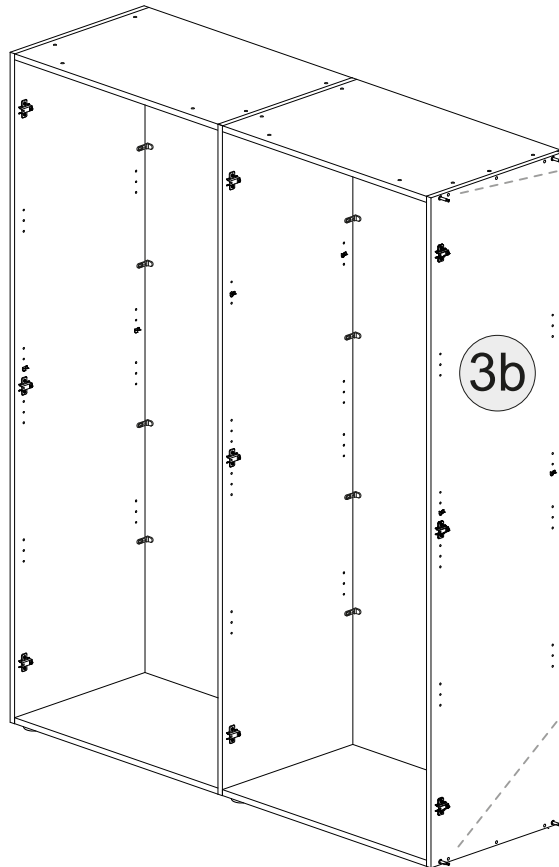
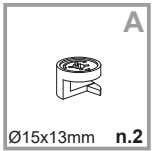
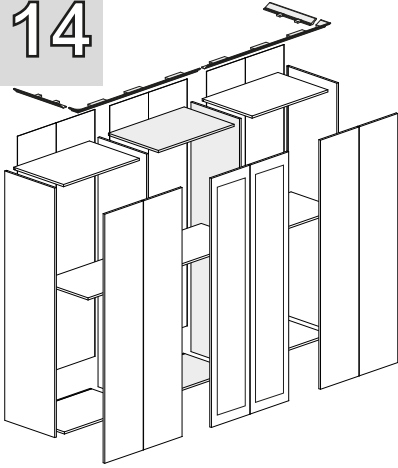
12



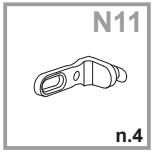
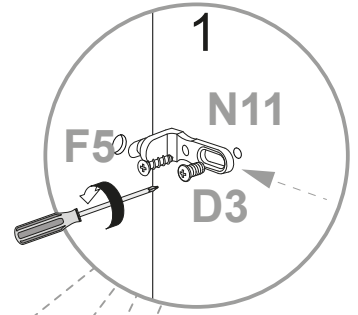
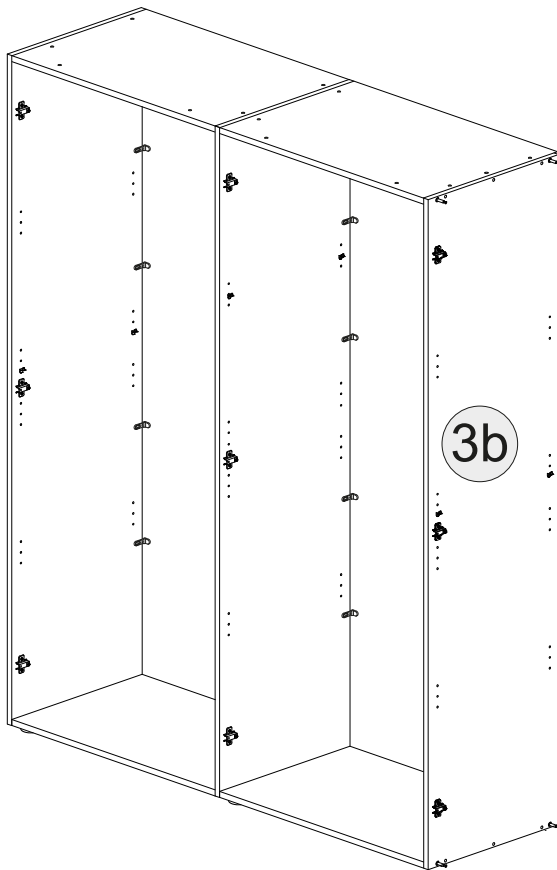
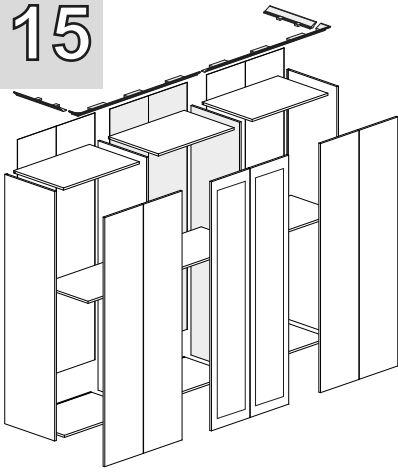
13



14

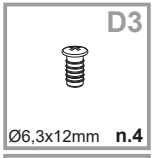


15



N11

n.4



D3

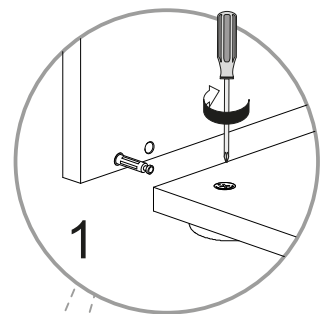
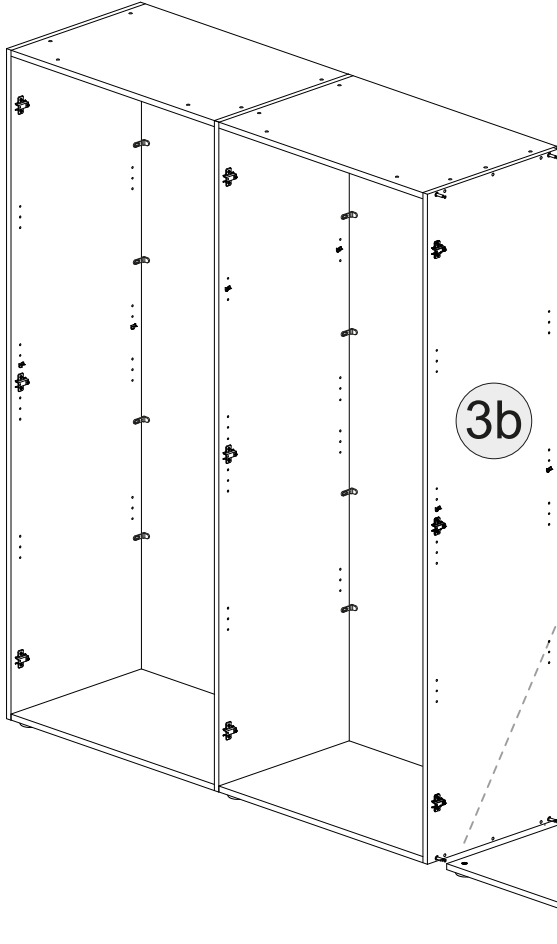
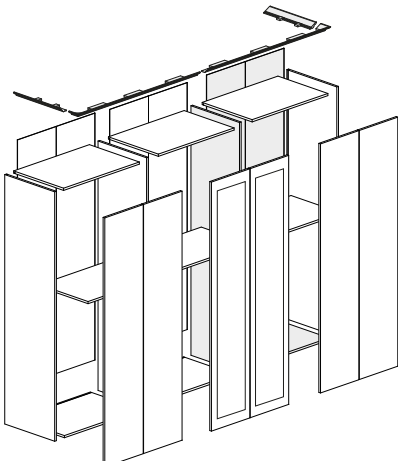
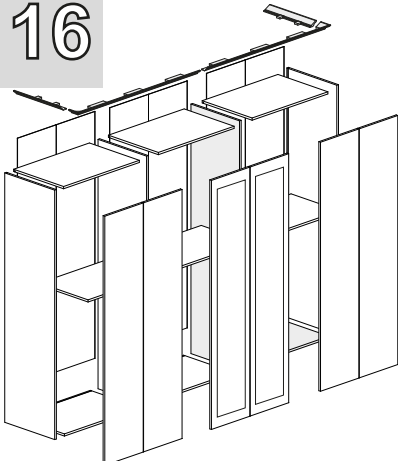
Ø6,3x12mm n.4



F5

Ø3,5x16mm n.4

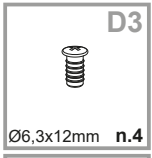
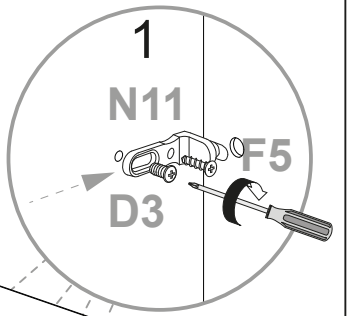
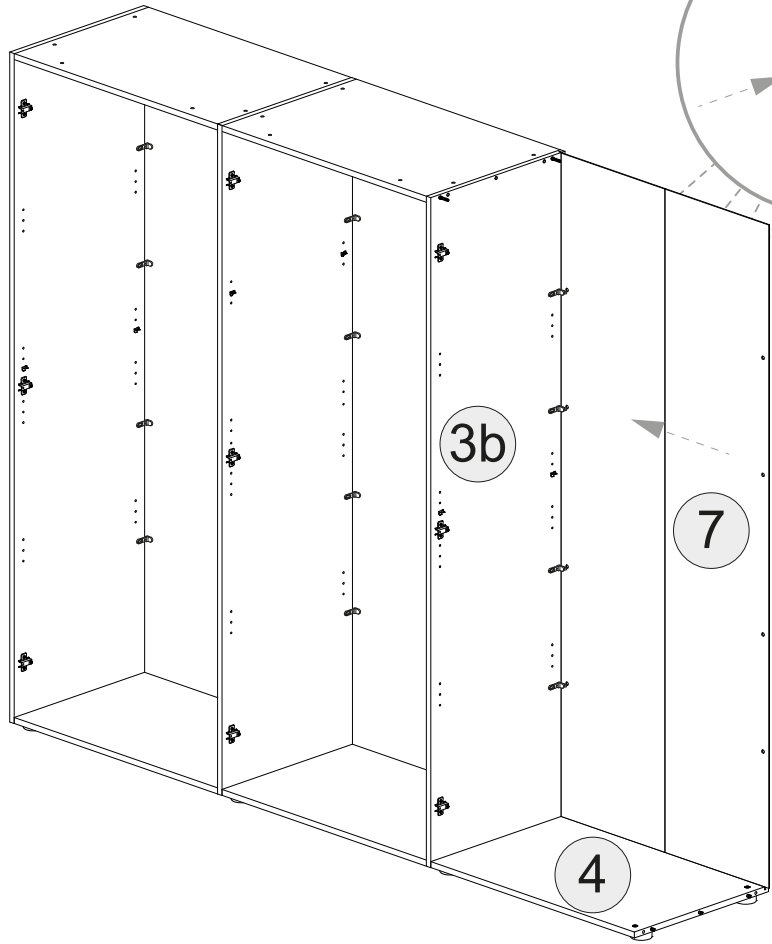
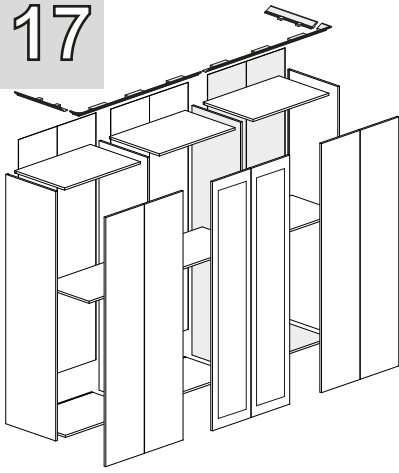
16



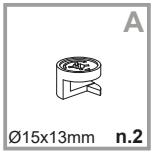
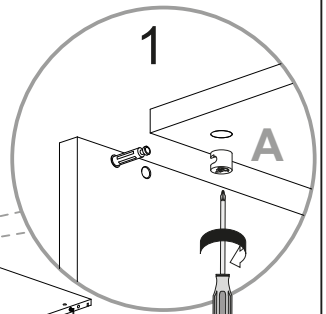
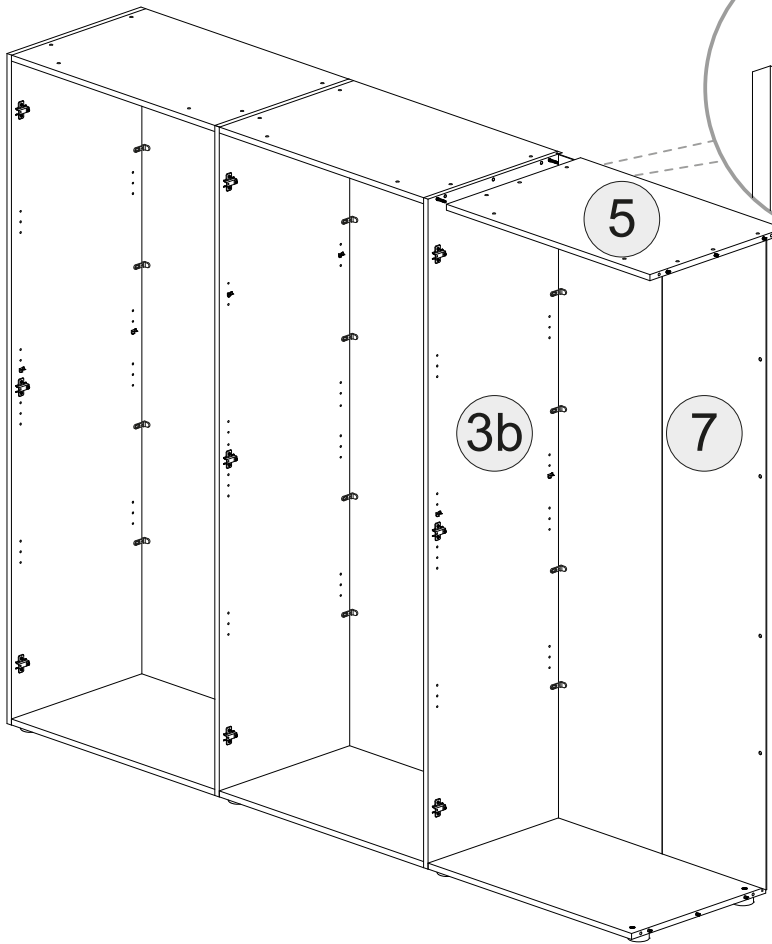
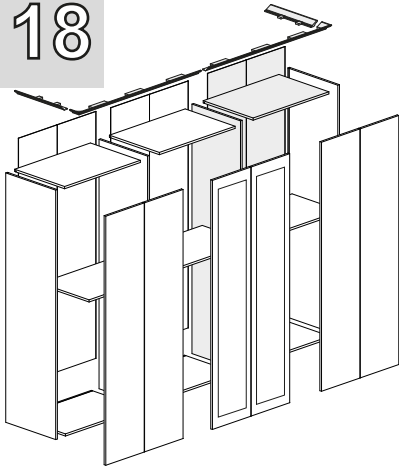
1

4

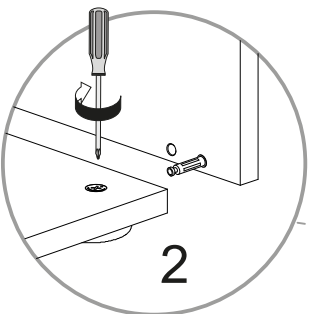
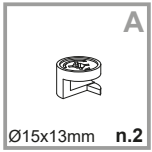
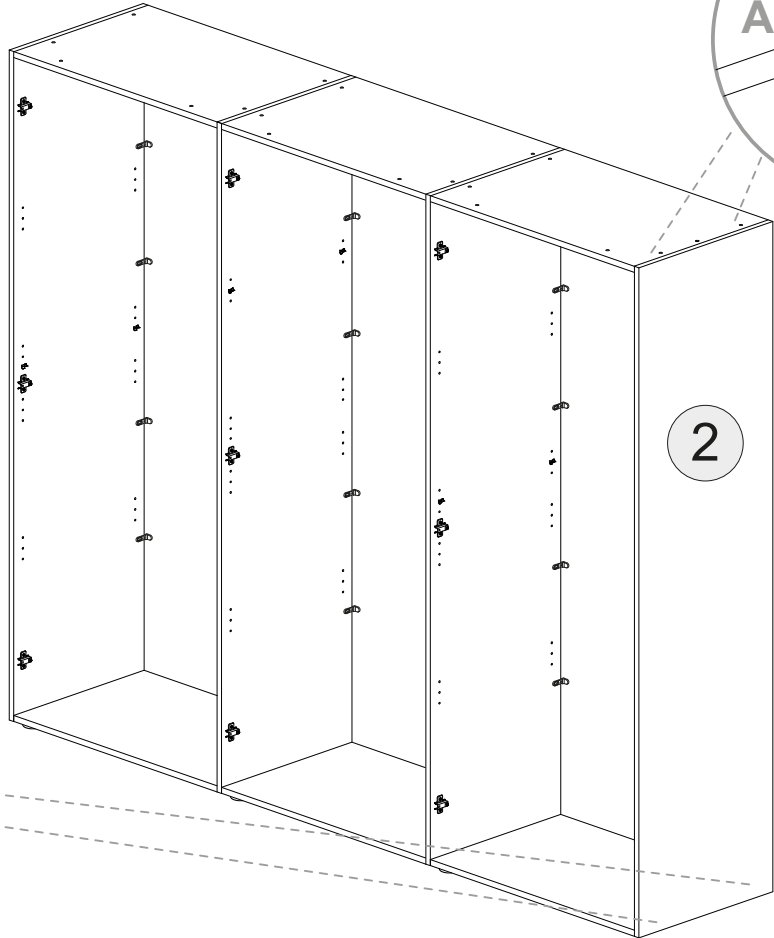
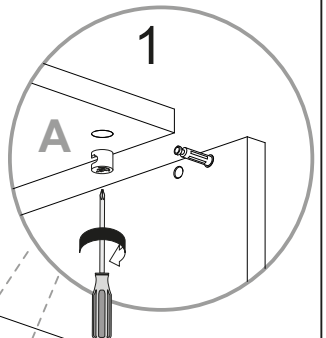
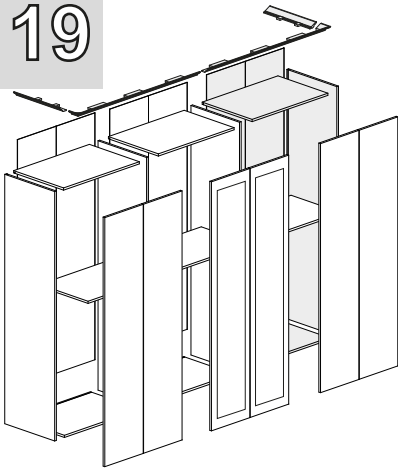
17



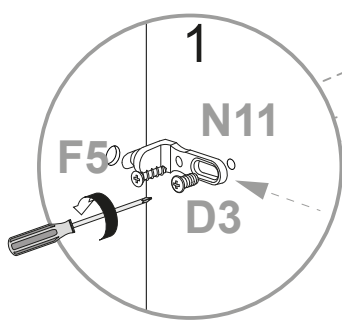
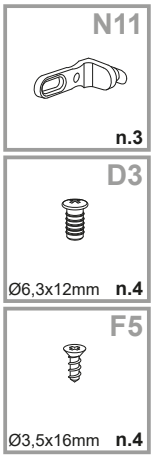
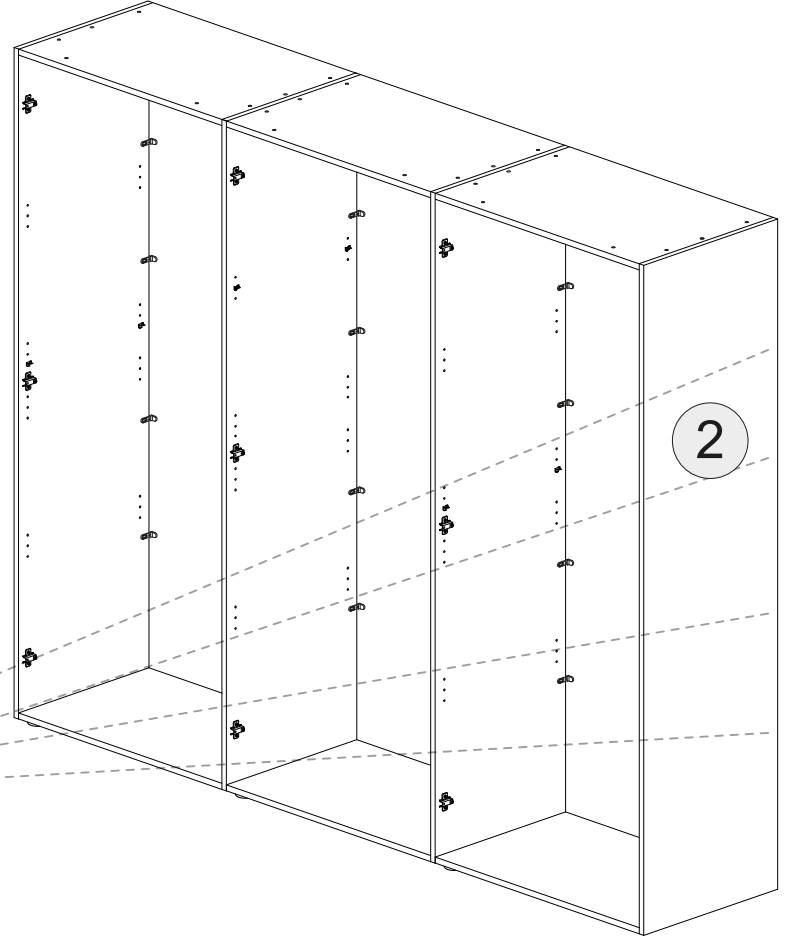
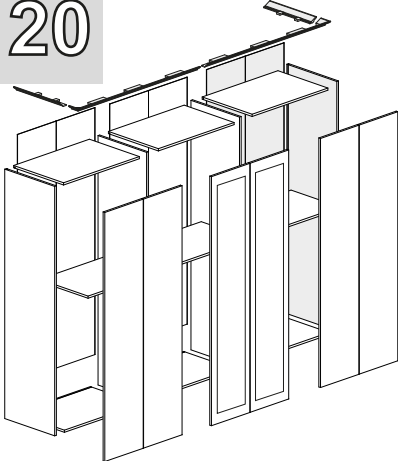
18



19

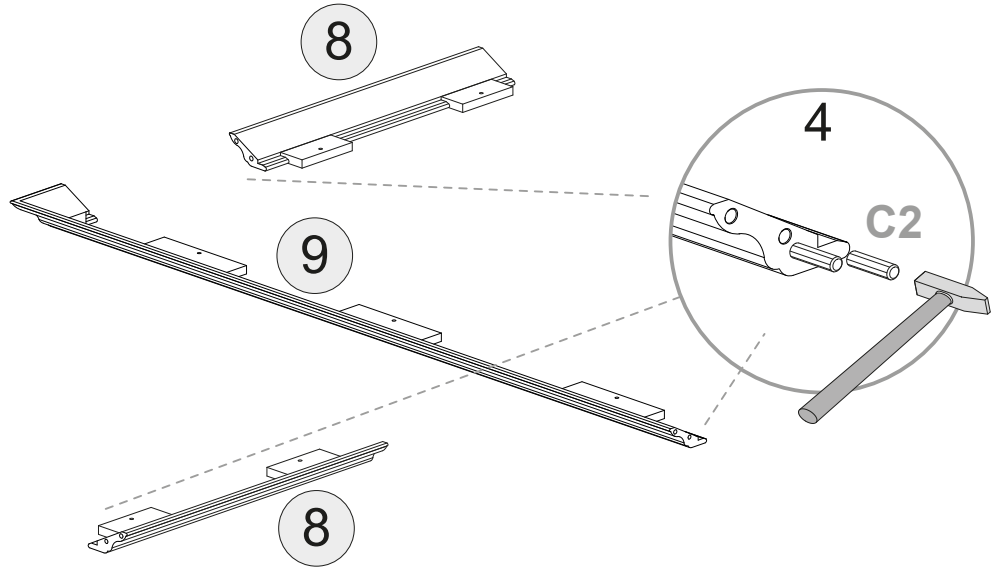
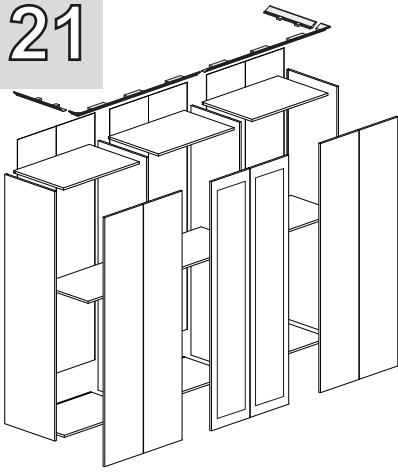


20



1

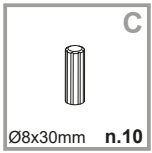
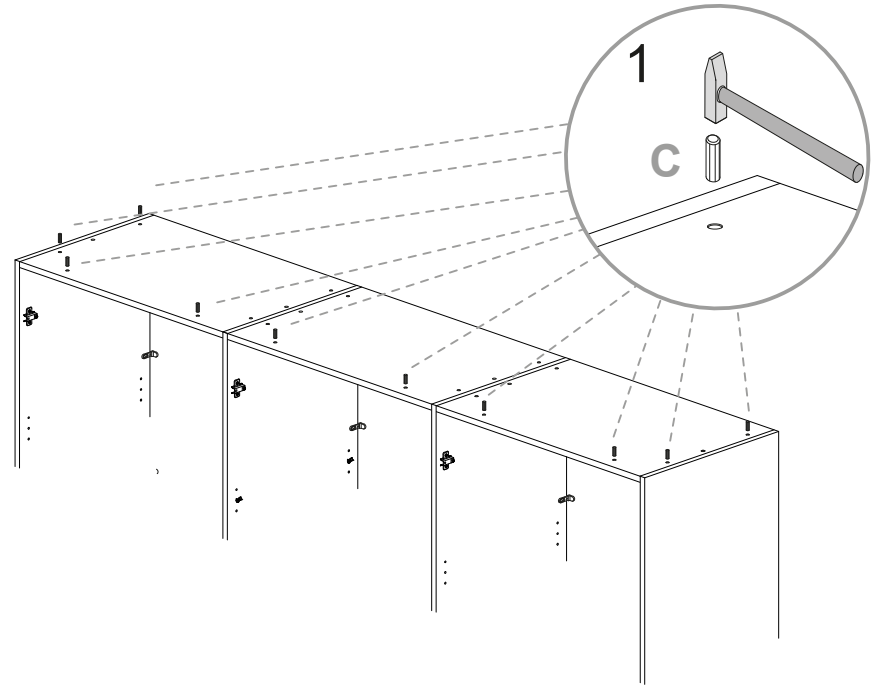
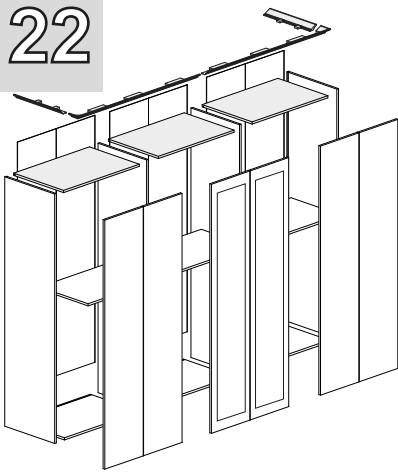
21



C2

Ø6x25mm n.6

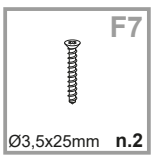
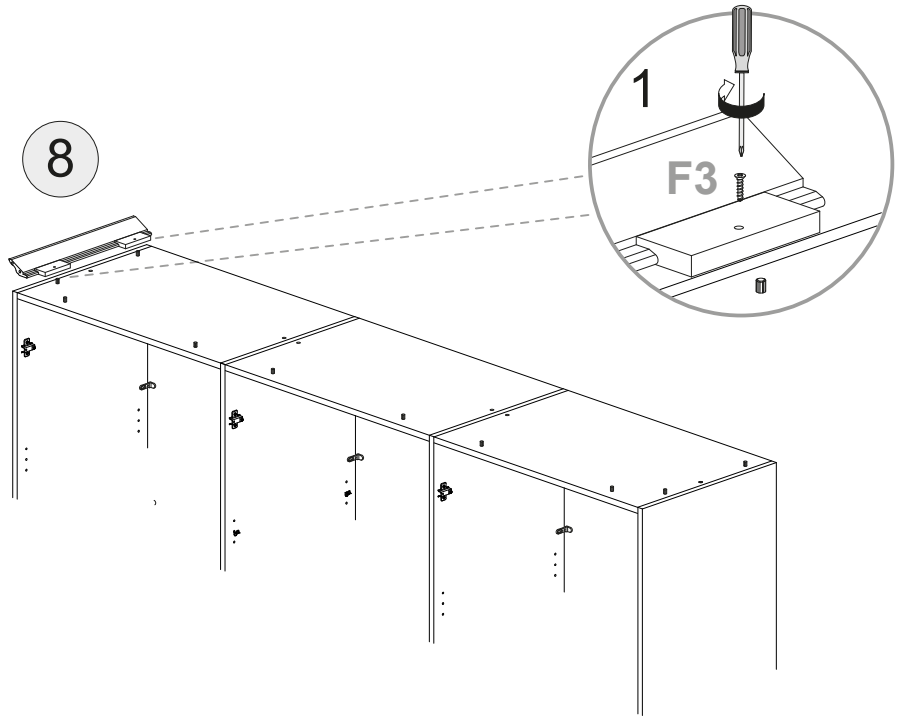
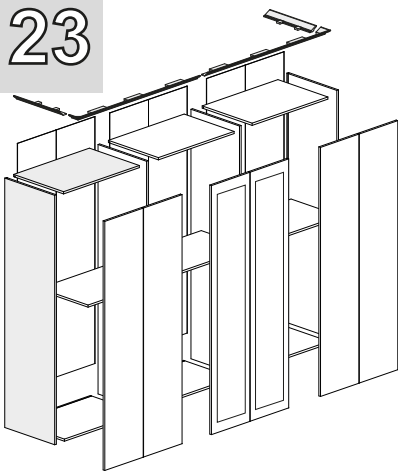
22



C

Ø8x30mm n.10

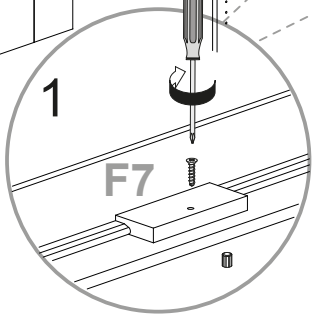
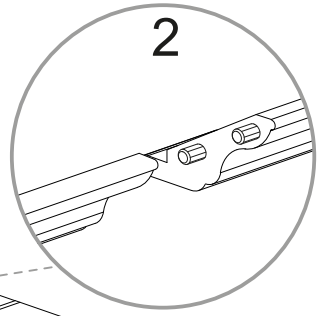
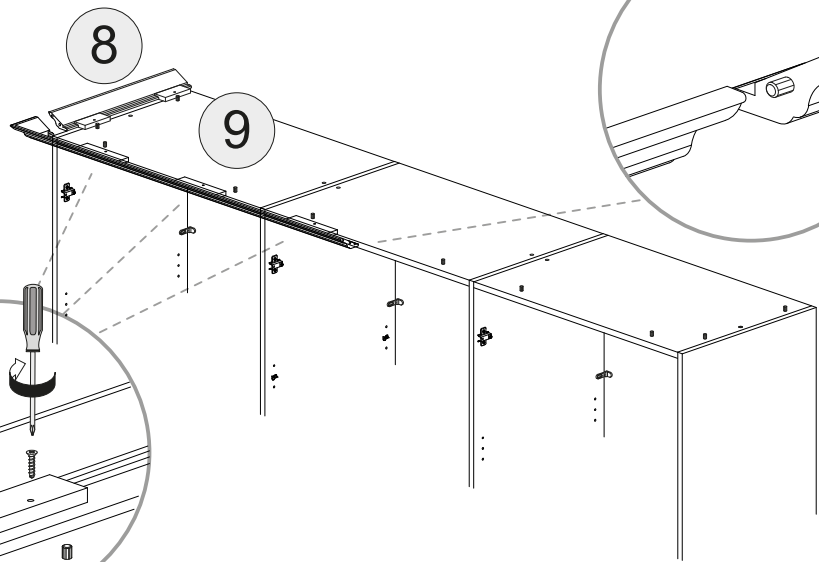
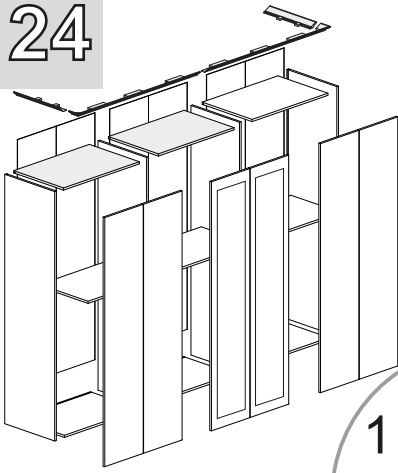
23



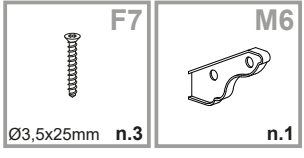
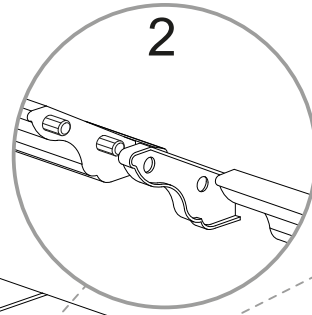
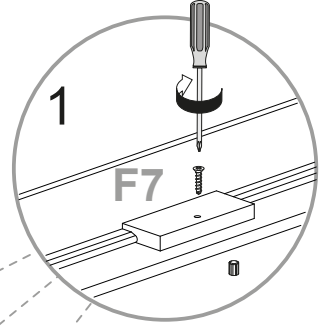
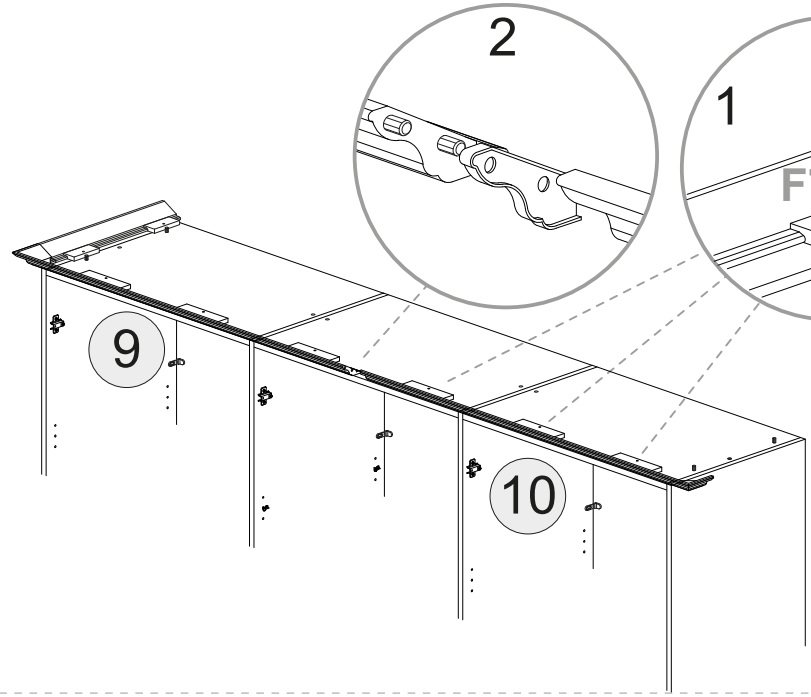
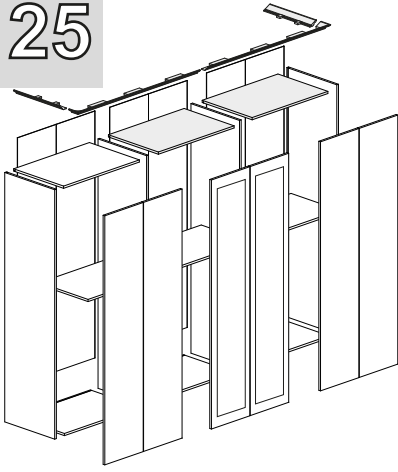
F7

Ø3,5x25mm n.2

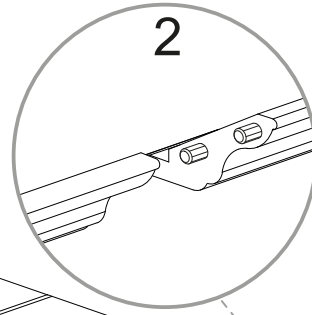
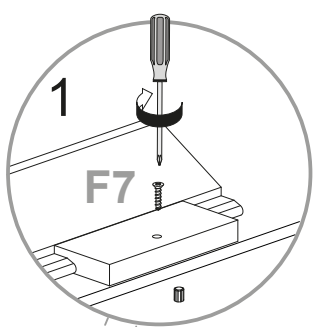
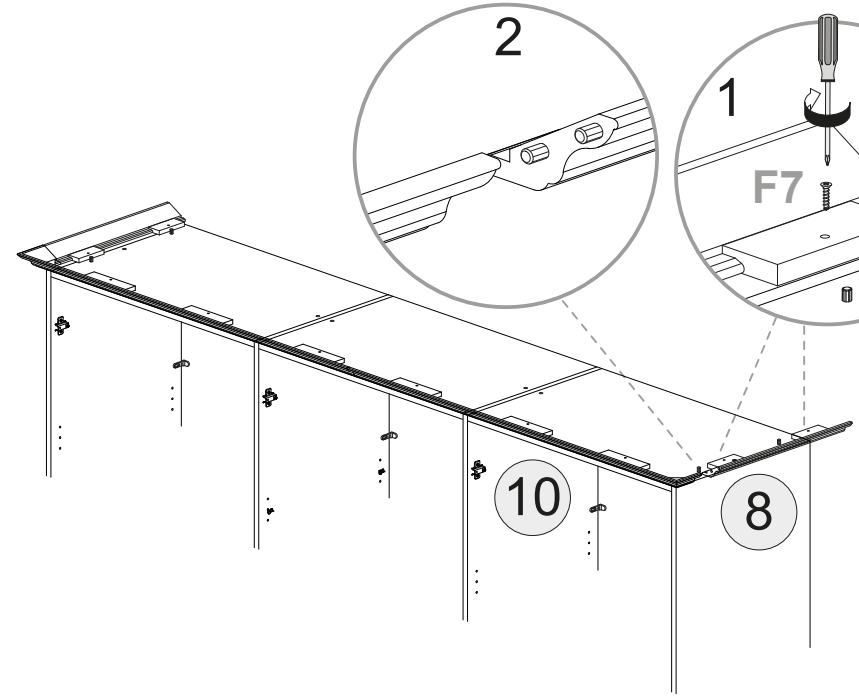
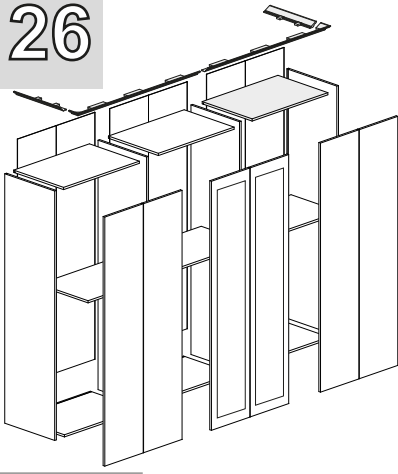
24



25

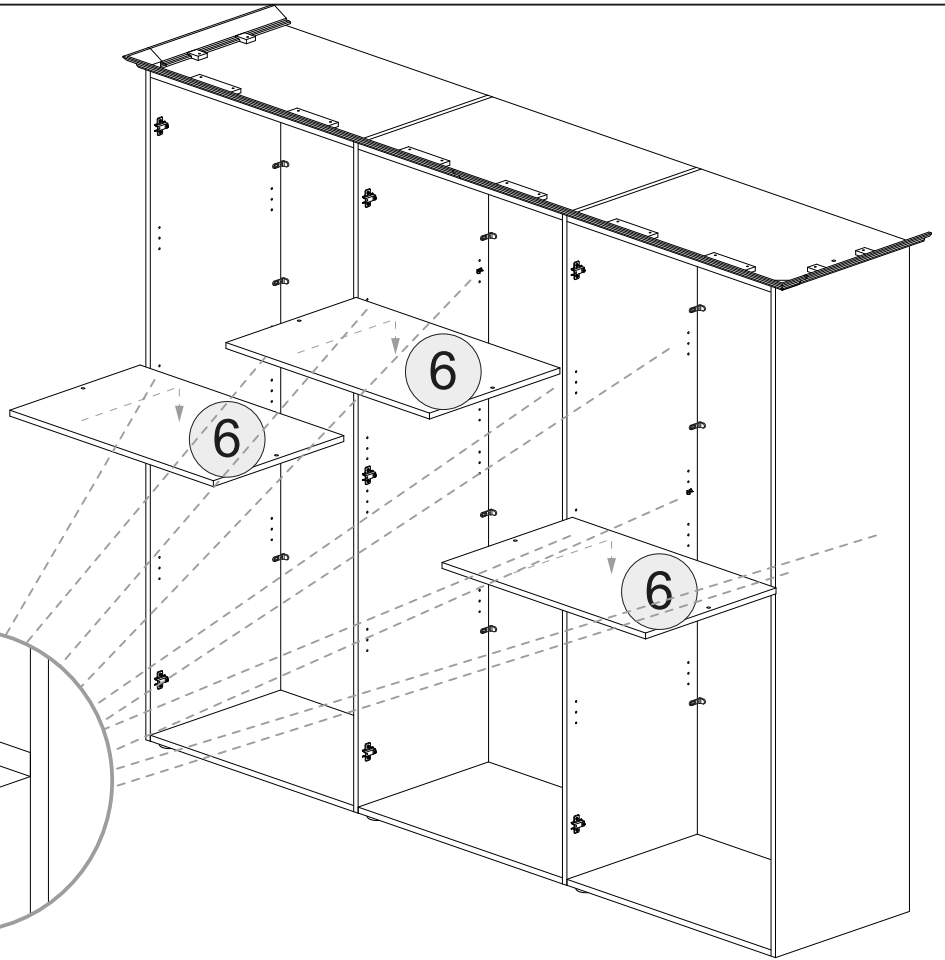
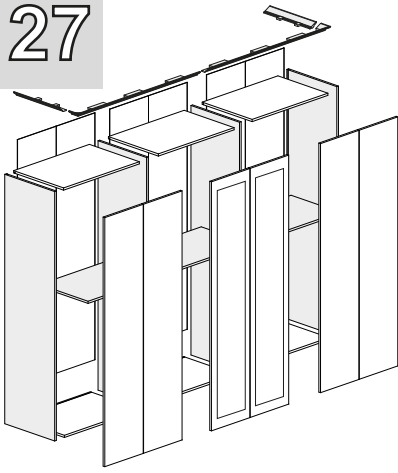


26

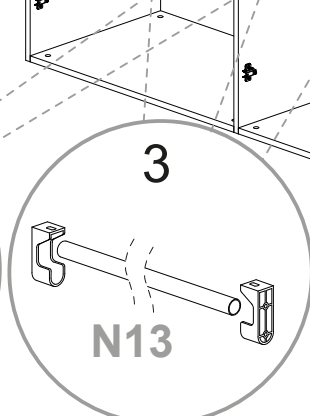
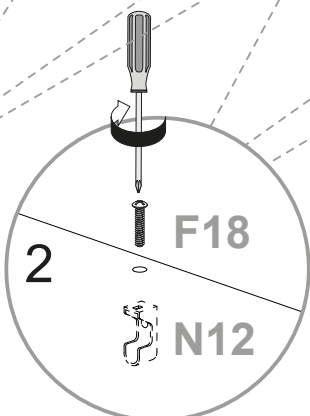
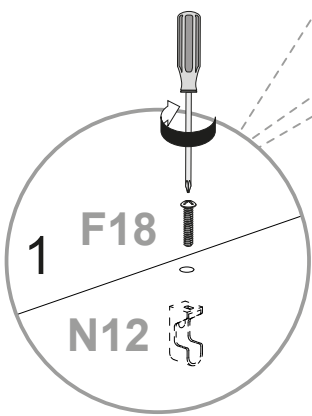
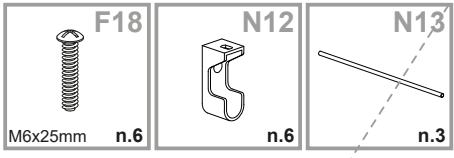
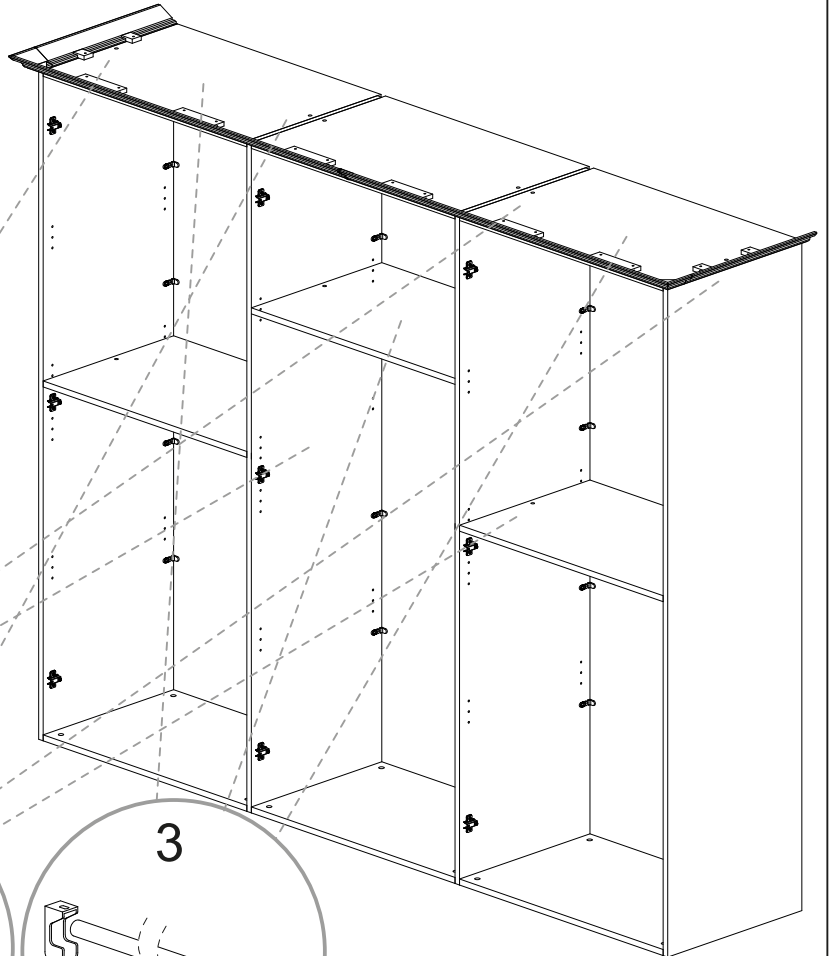
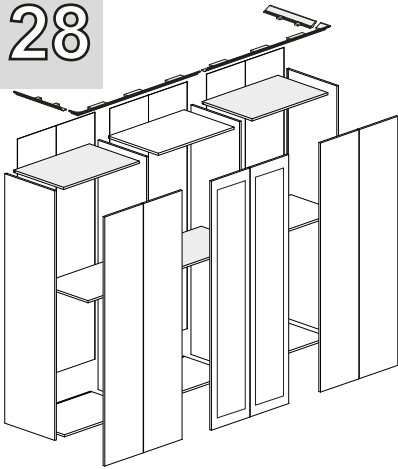




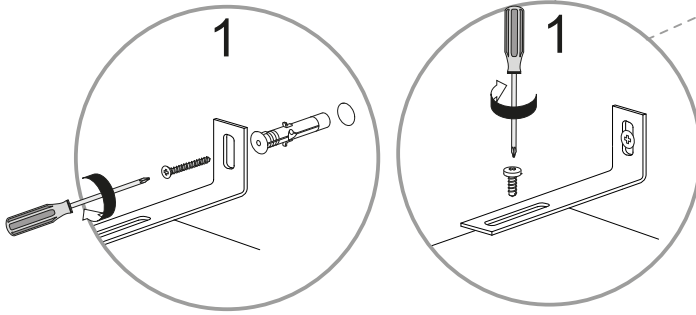
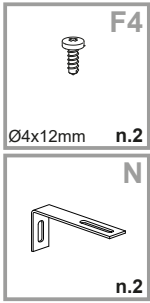
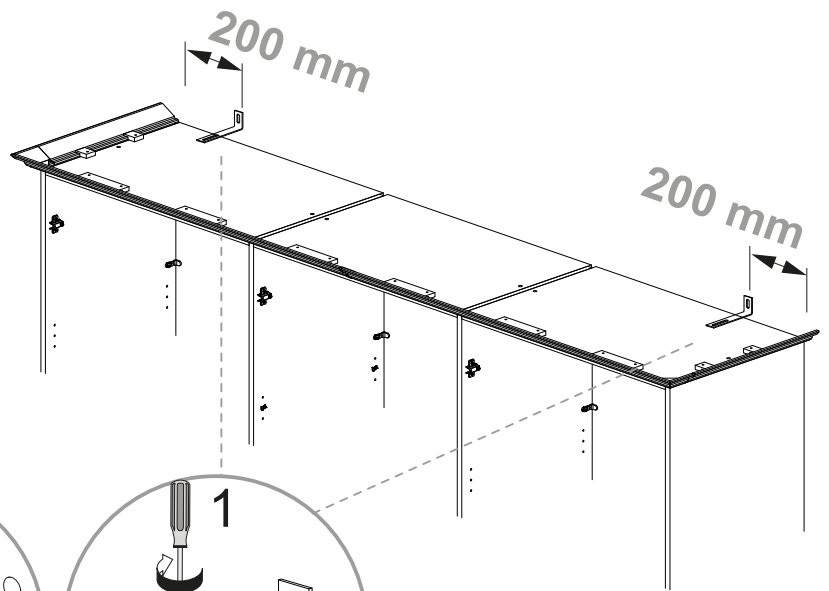
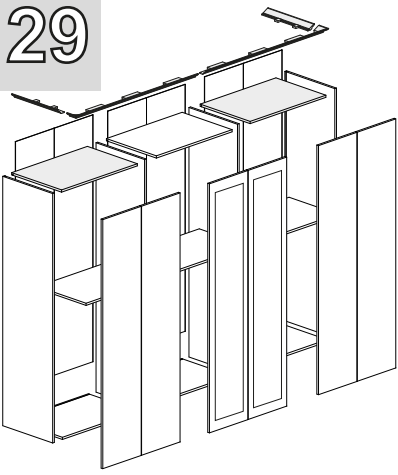
27



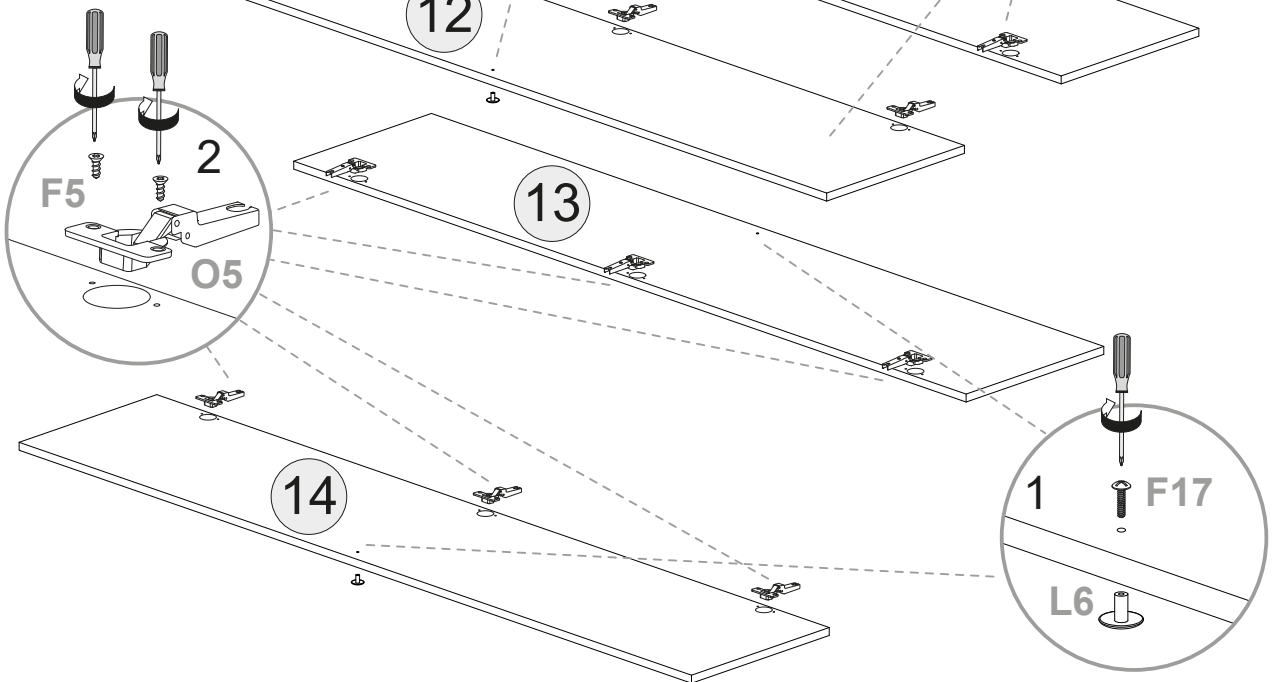
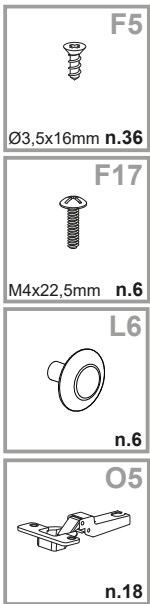
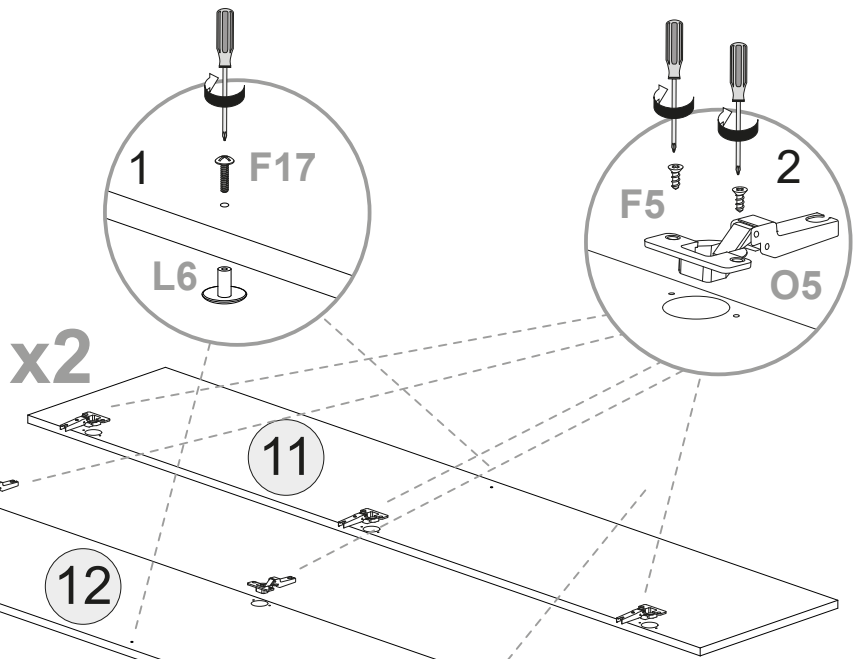
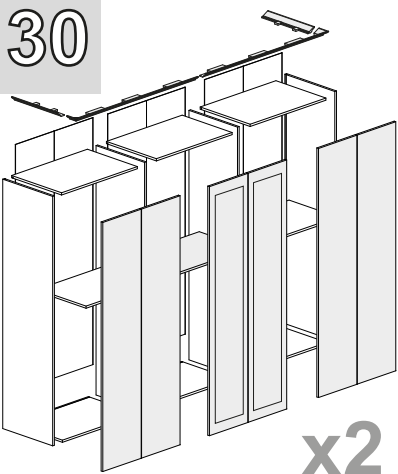
28



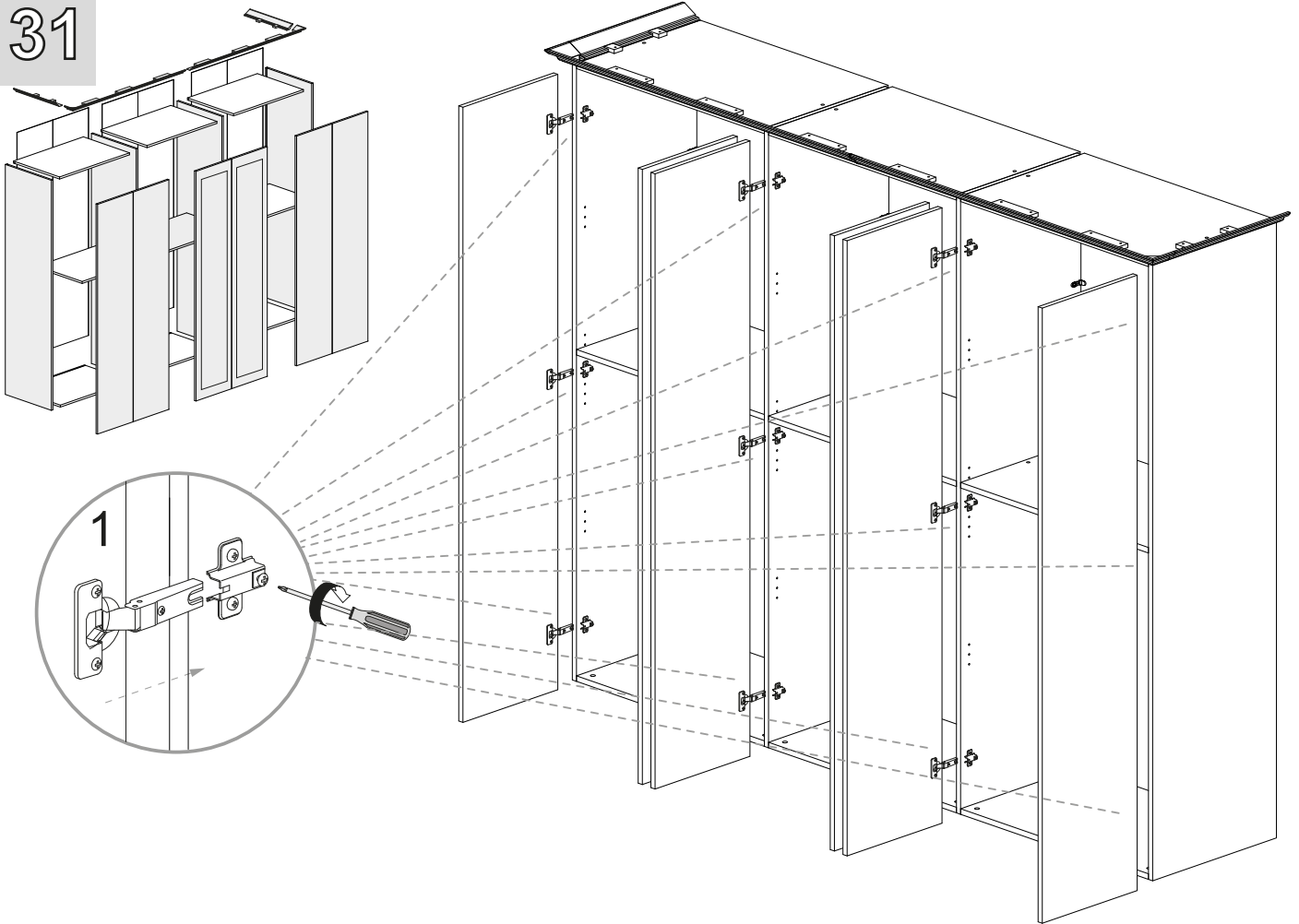
29



30



31



32

