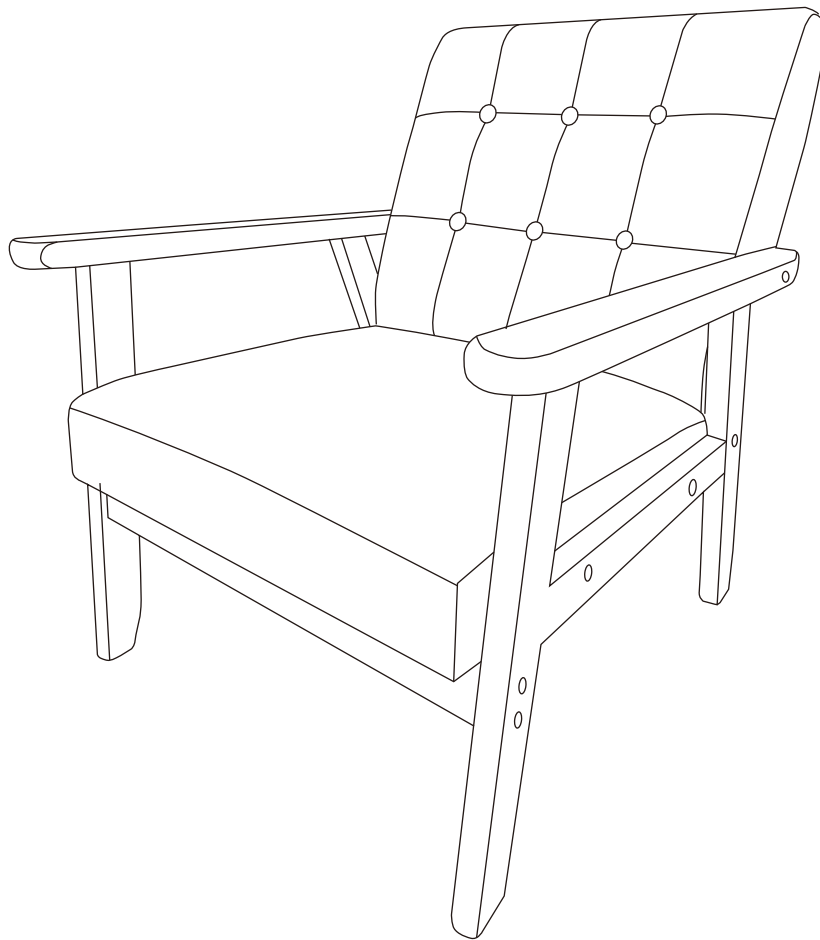
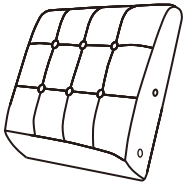


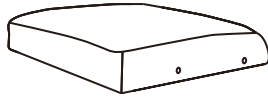
Assembly Instructions



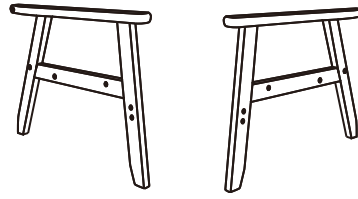
PARTS CHECKLIST



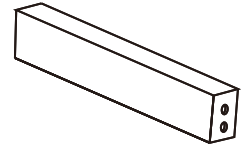
Ax1PCS



Bx1PCS



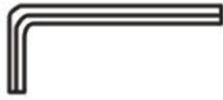
Cx1PAIRS



Dx1PCS



Ex12PCS



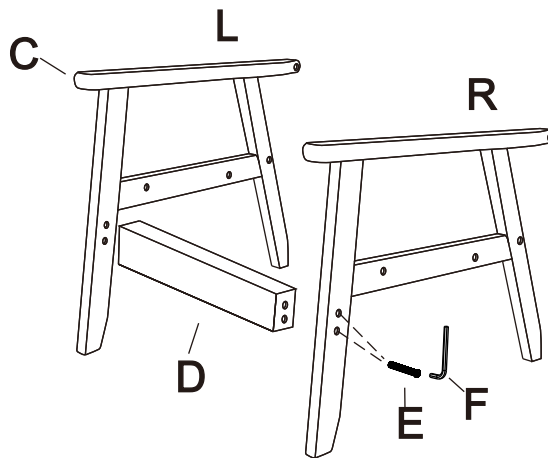
Fx1PC



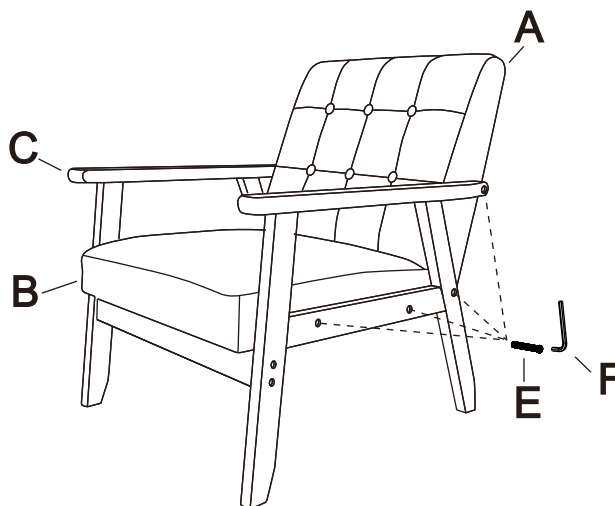
Gx12PCS



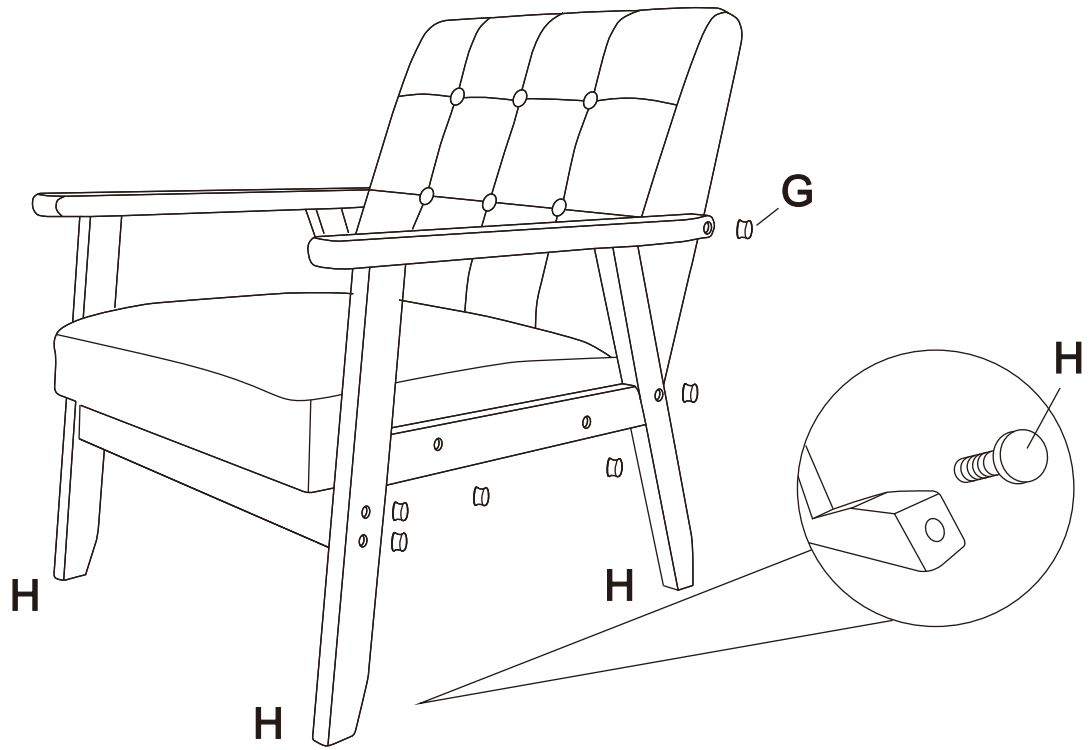
Hx4PCS



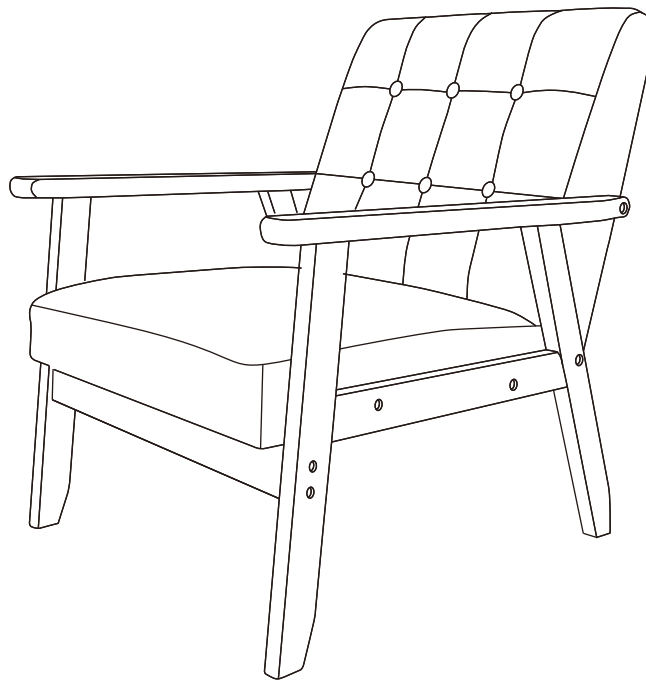
Step 1: Connect Crosspiece [D] to Armrests [C] with Screw [E]. And tighten them by 70%.



Step 2: Connect Armrests [C] to the Backrest [A] and Seat [B] with Screw [E]. Tighten them by 70%. Make sure the accent chair is leveled on the ground. Then tighten all the screws by 100%.



Step 3: Put the hole caps [G] into the screw holes. And install the adjusting nails[H] to the bottom of them .



Step 4: Enjoy your new Accent Chair!