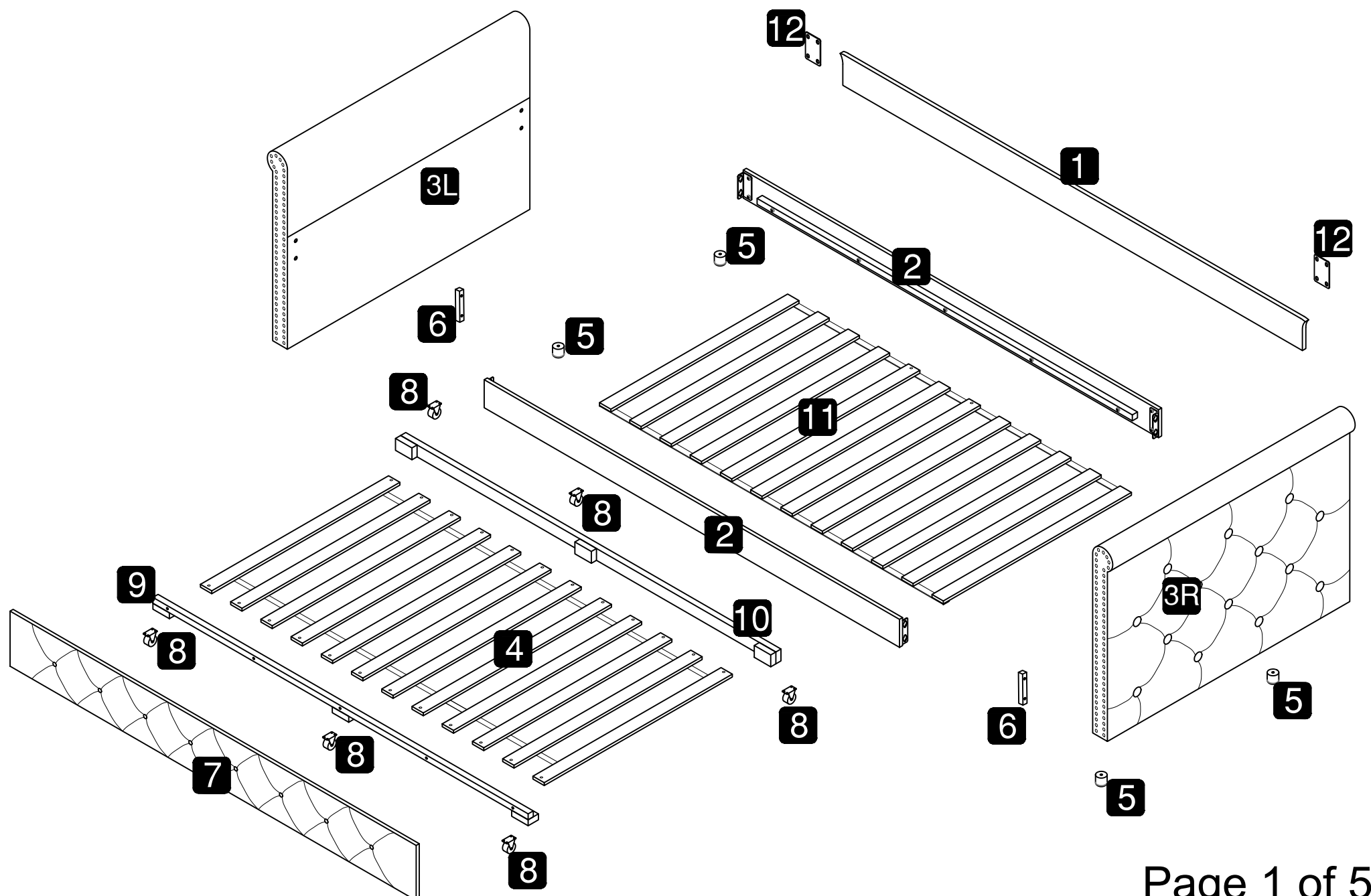
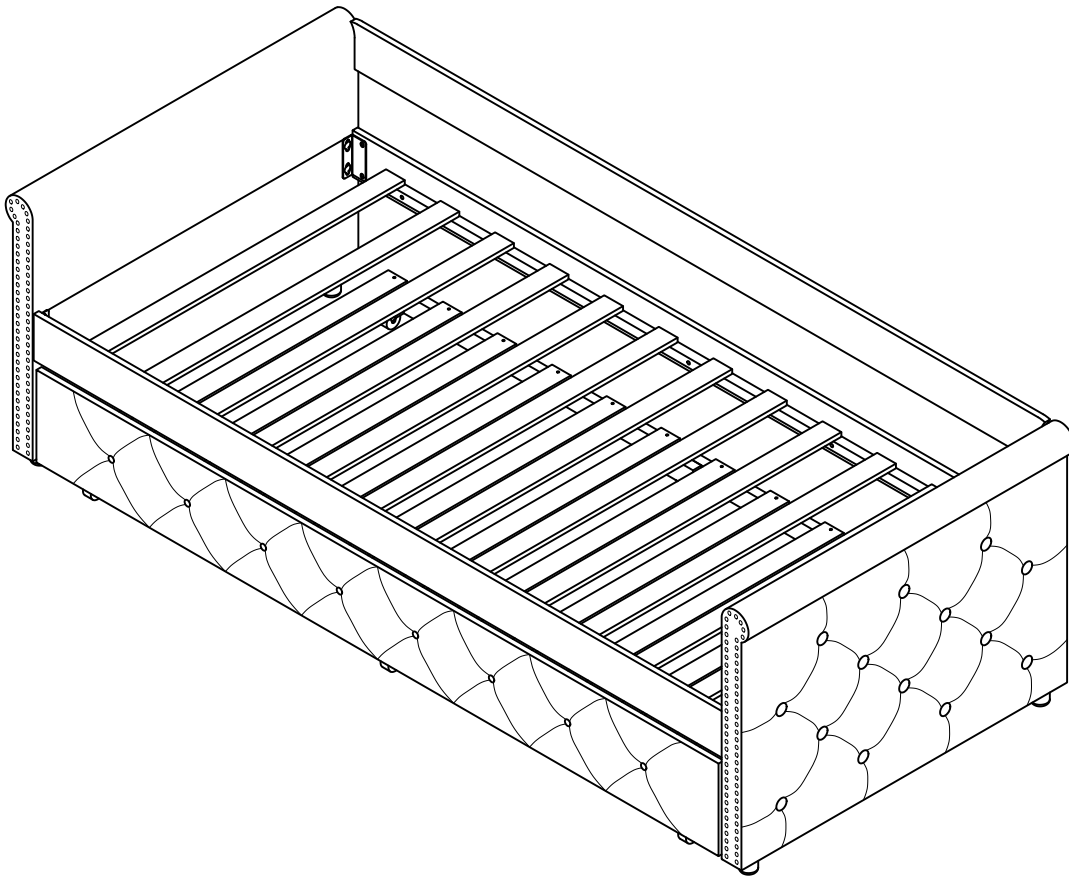


# ASSEMBLY INSTRUCTION

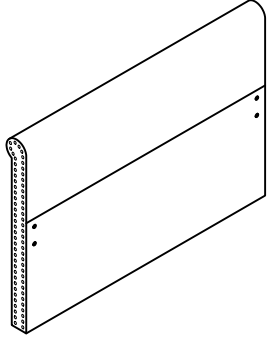
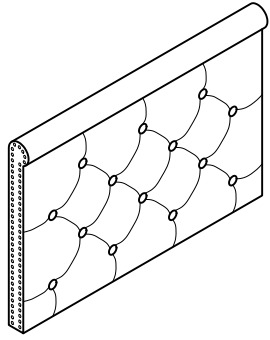
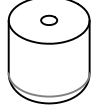
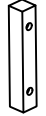

WF306398/WF306399

## TIPS

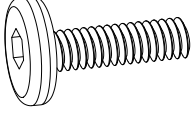
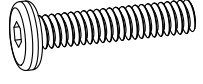
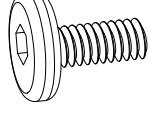


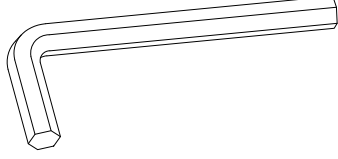
1. Please read the instructions fully before assembly. These instructions include important information which could ensure correct assembly. We have been working on providing high quality products for you. However, in the rare instance that your product is defective, missing parts or there are some issues, please don't hesitate to contact our customer service to submit parts requirements, assembly suggestion, or warranty claims, and we will give the best solution as soon as possible. If necessary, we need you to provide some more clear pictures of the issue.
2. Insert the screws in holes and tighten the screws, but not too tight, 70%~80% is ok, finally tighten all the screws. If some issues happened that some screws can not target to the hole or some parts are difficult to install, please adjust the tightness of the screws.
3. 2 people are recommended to finish.



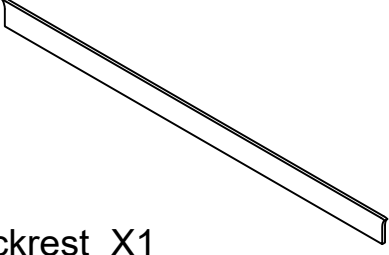
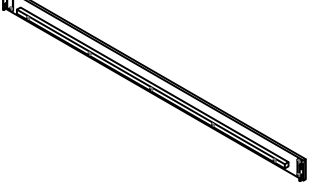
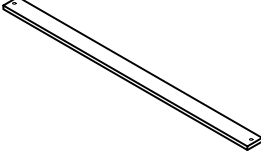
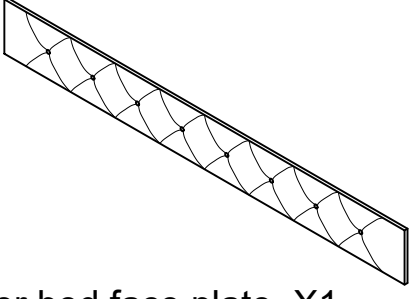
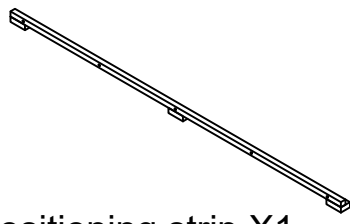
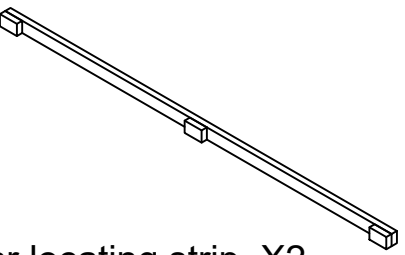
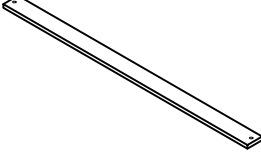

# WF306398AAE

<p><b>3L</b></p>  <p>Armrest - 3L (LH) X1</p>	<p><b>3R</b> × 1</p>  <p>Armrest - 3R (RH) X1</p>	<p><b>5</b></p>  <p>Leg X4</p>
<p><b>6</b></p>  <p>Stop Block X2</p>	<p><b>8</b></p>  <p>Wheel X6</p>	

# WF306398AAE

<p><b>A</b></p>  <p>Bolts(M8x25mm) X8</p>	<p><b>B</b></p>  <p>Bolts(M6x35mm) X9</p>	<p><b>C</b></p>  <p>Bolts(M8x16mm) X8</p>	<p><b>D</b></p>  <p>Screw(3.0x20mm ) X24</p>
<p><b>E</b></p>  <p>Screw(4.0x30mm ) X28</p>	<p><b>F</b></p>  <p>Allen Key X1</p>		

# WF306399AAE

<p><b>1</b></p>  <p>Backrest X1</p>	<p><b>2</b></p>  <p>Side Rails X2</p>	<p><b>4</b></p>  <p>Slats X13</p>	<p><b>7</b></p>  <p>Lower bed face plate X1</p>
<p><b>9</b></p>  <p>Front positioning strip X1</p>	<p><b>10</b></p>  <p>Rear locating strip X2</p>	<p><b>11</b></p>  <p>Slats X13</p>	<p><b>12</b></p>  <p>Connecting iron sheet X2</p>

**Attention: Do not tighten the screws before completing the entire installation. If you have any difficulty with the installation process, please feel free to contact us.**

## Step 1

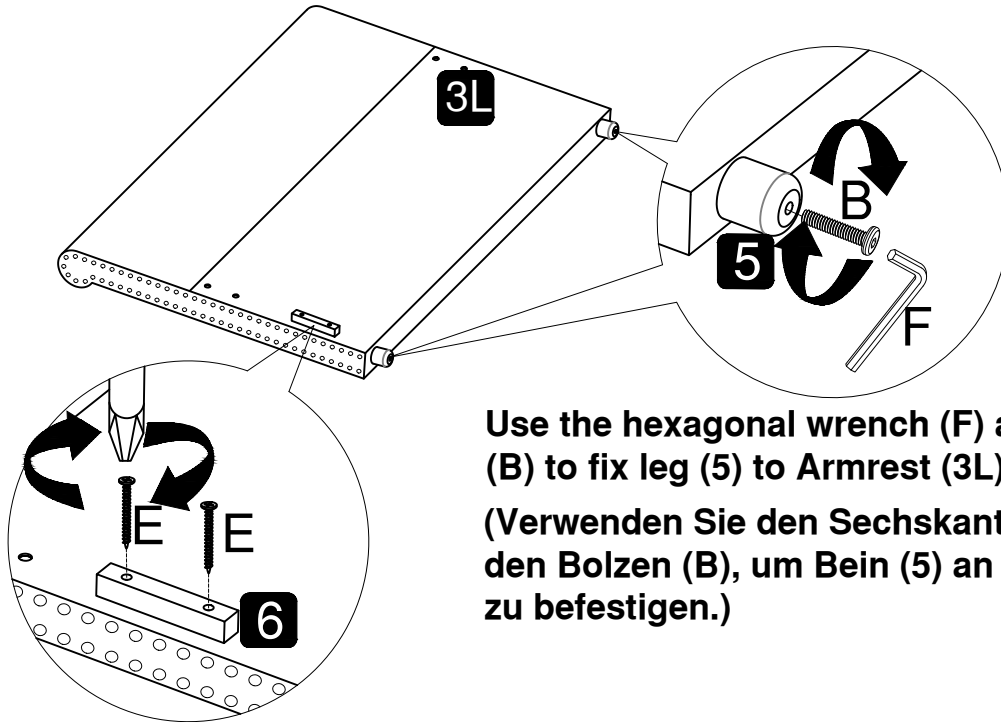
**(B)**  ×4

**(E)**  ×4

**(F)**  ×1

Secure the stop (6) to the handrails (3L) and (3R) with screws (E).

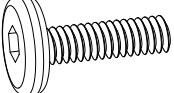
(Befestigen Sie den Anschlag (6) an den Handläufen (3L) und (3R) mit Schrauben (E).)




Use the hexagonal wrench (F) and bolt (B) to fix leg (5) to Armrest (3L)&(3R).

(Verwenden Sie den Sechskantschlüssel (F) und den Bolzen (B), um Bein (5) an Armlehne (3L)&(3R) zu befestigen.)

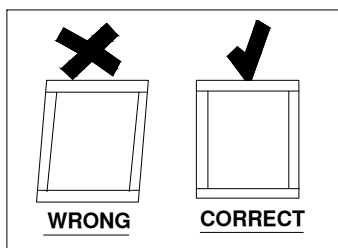
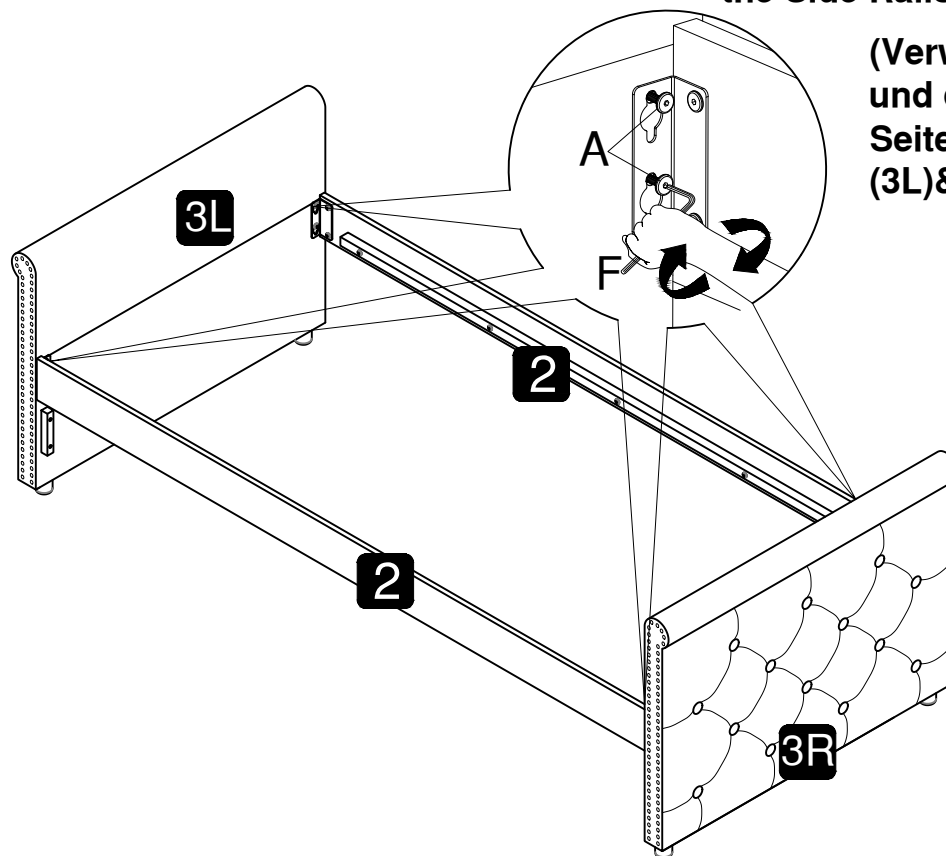
## Step 2

**(A)**  ×8

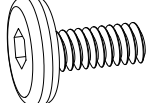
**(F)**  ×1


Use the Allen wrench (F) and Bolts (A) to fix the Side Rails to the Armrest (3L)&(3R).

(Verwende den Inbusschlüssel (F) und die Schrauben (A), um die Seitenschiene an der Armlehne (3L)&(3R) zu befestigen.)



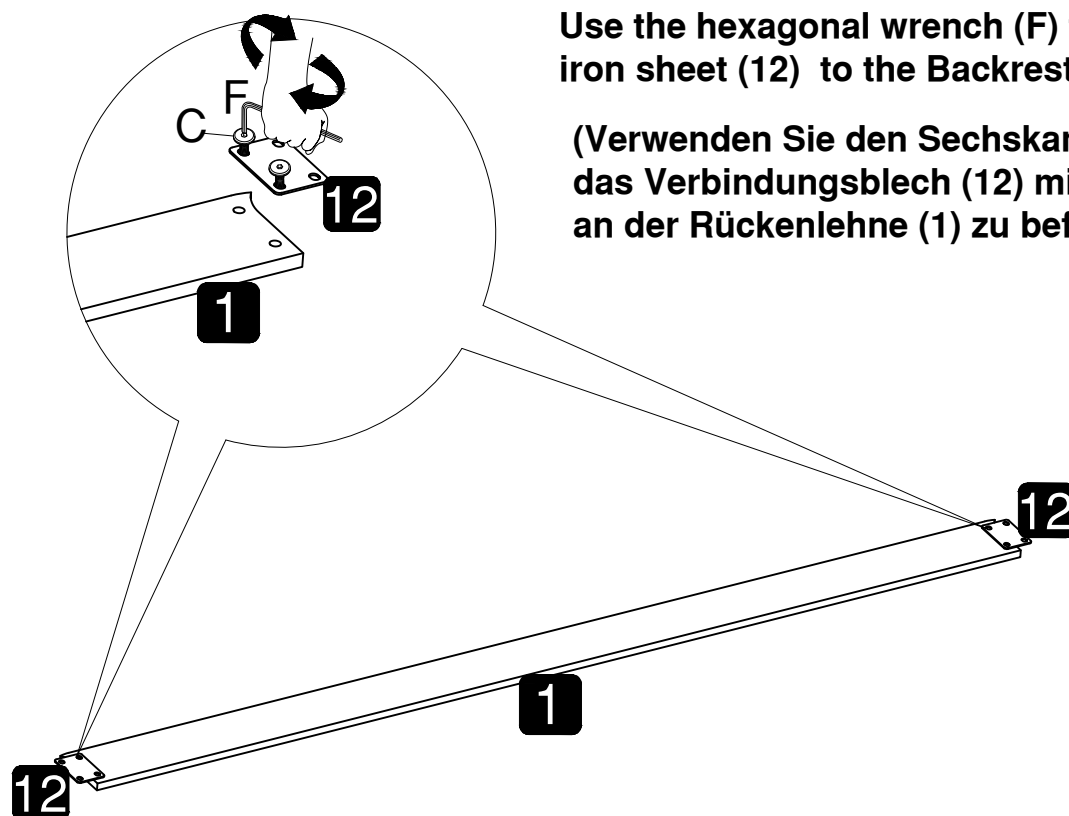
## Step 3

**(C)**  ×4

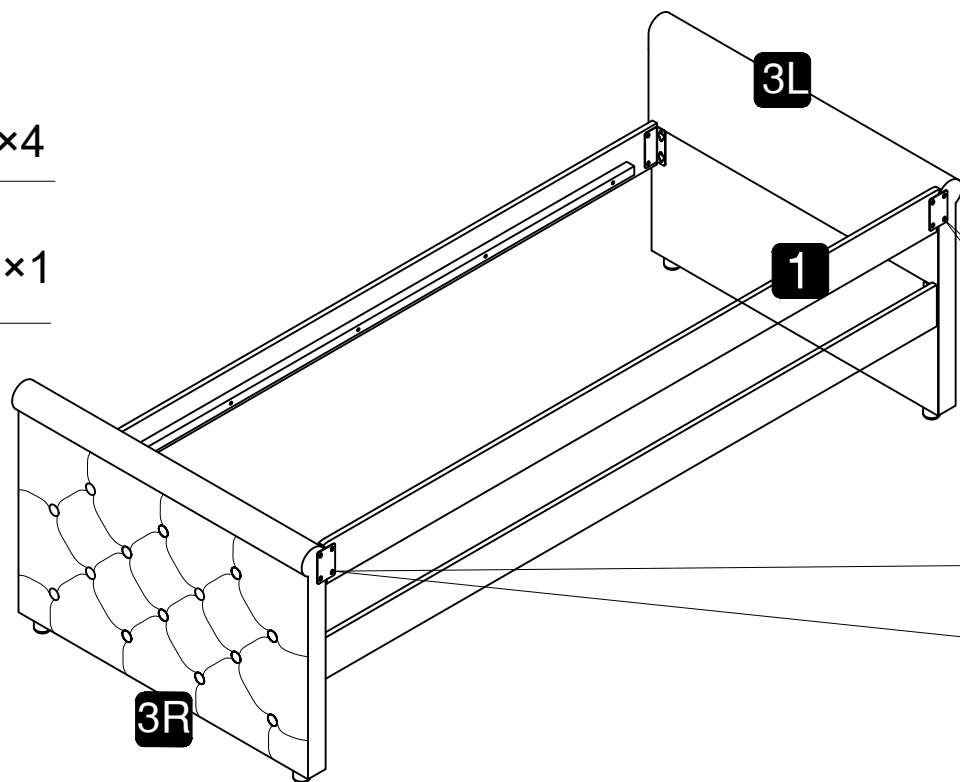
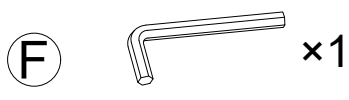
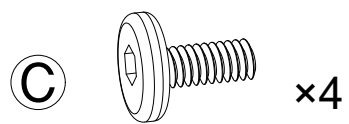
**(F)**  ×1

Use the hexagonal wrench (F) to fix the Connecting iron sheet (12) to the Backrest (1) with bolts (C).

(Verwenden Sie den Sechskantschlüssel (F), um das Verbindungsblech (12) mit Schrauben (C) an der Rückenlehne (1) zu befestigen.)

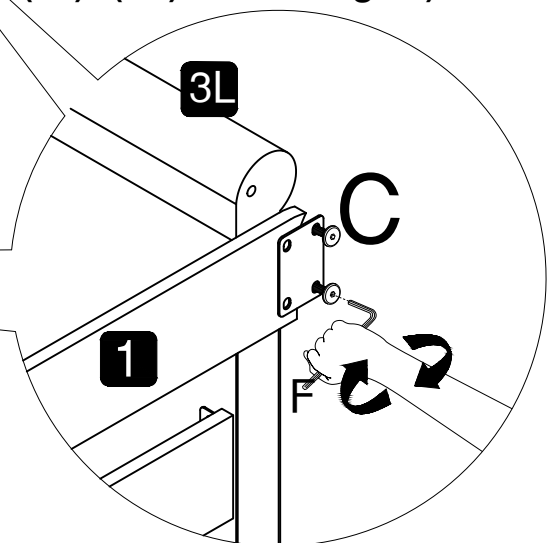


## Step 3

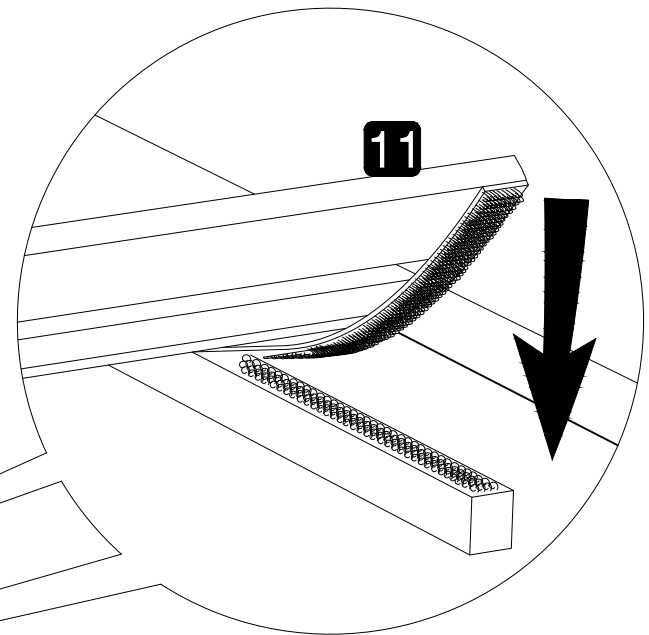
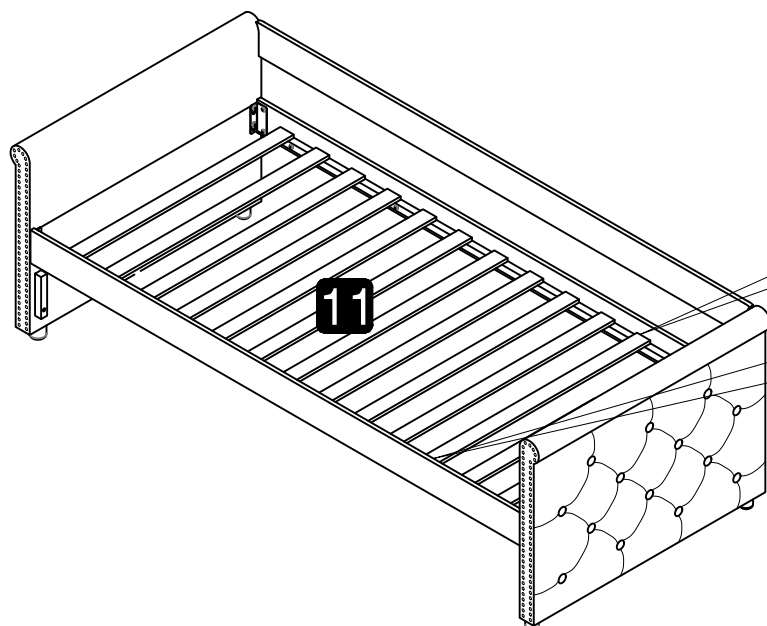


Use the hexagonal wrench (F) to fix the backrest (1) to the armrest (3L)&(3R) with bolts (C).

(Verwenden Sie den Sechskantschlüssel (F), um die Rückenlehne (1) mit Schrauben (C) an der Armlehne (3L)&(3R) zu befestigen.)



## Step 4



Paste slats (11) onto side rails.

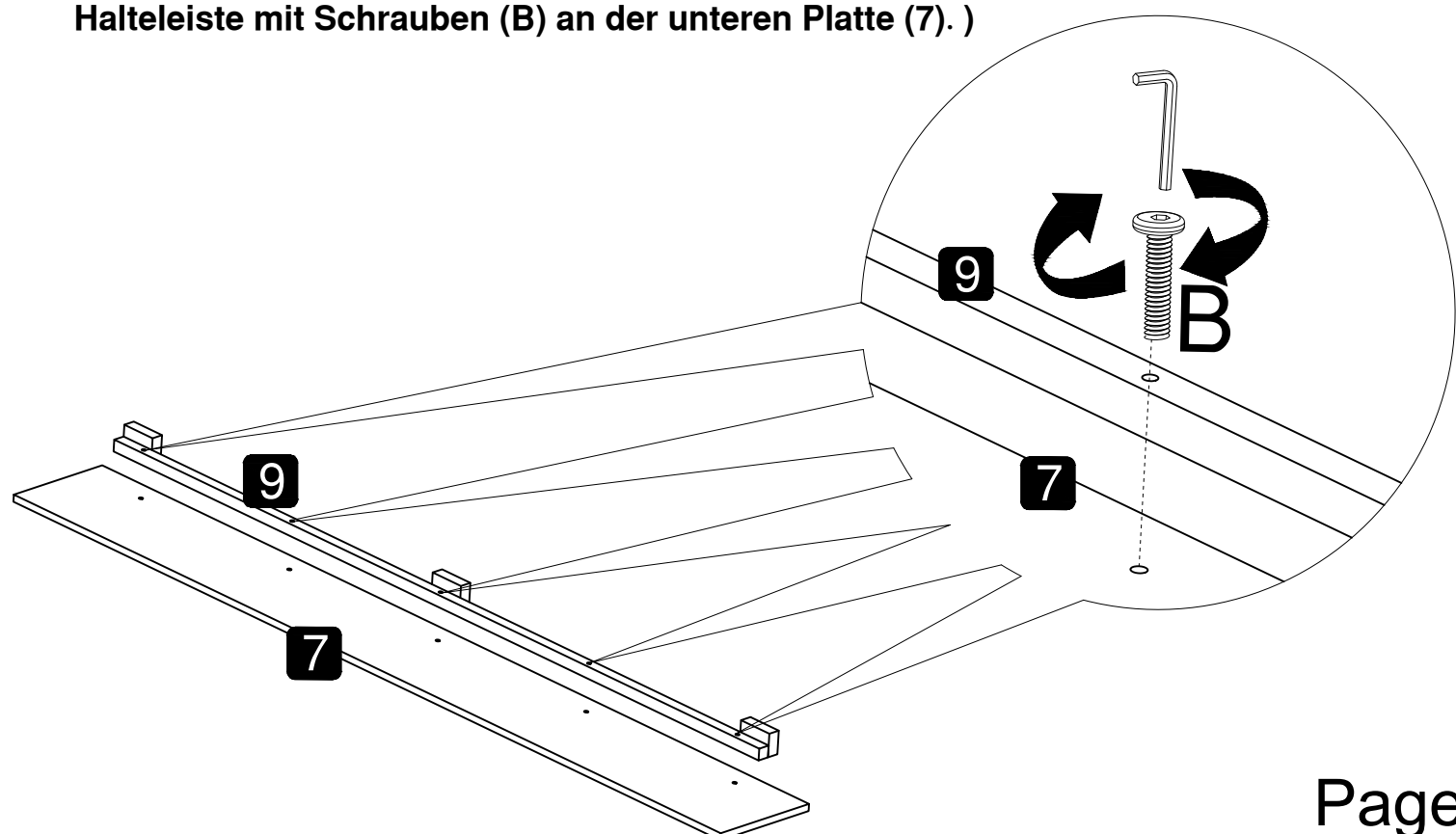
(Lamellen (11) auf Seitenschiene kleben.)

## Step 5



Use the hexagonal wrench (F) to fix the front locating strip to the lower panel (7) with bolts (B).

(Mit dem Sechskantschlüssel (F) befestigen Sie die vordere Halteleiste mit Schrauben (B) an der unteren Platte (7).)

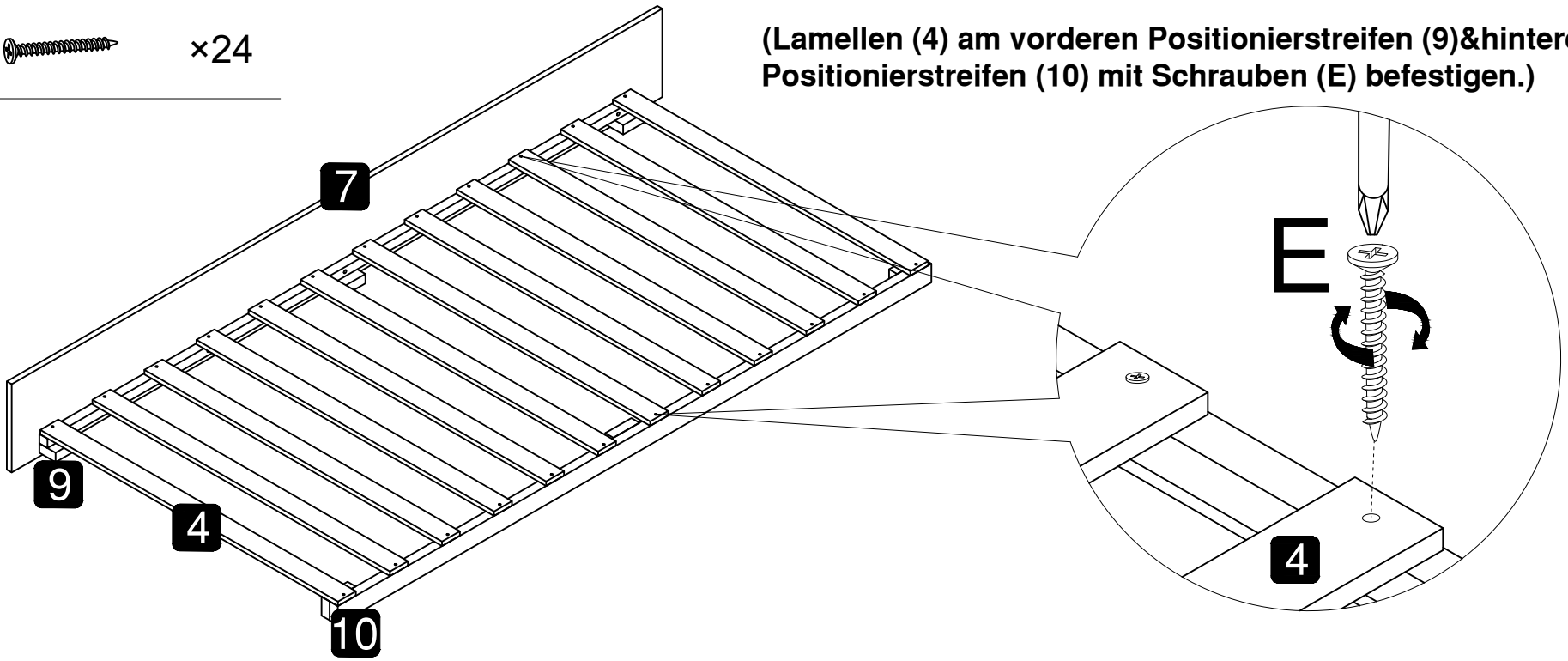


## Step 6

Ⓔ  x24

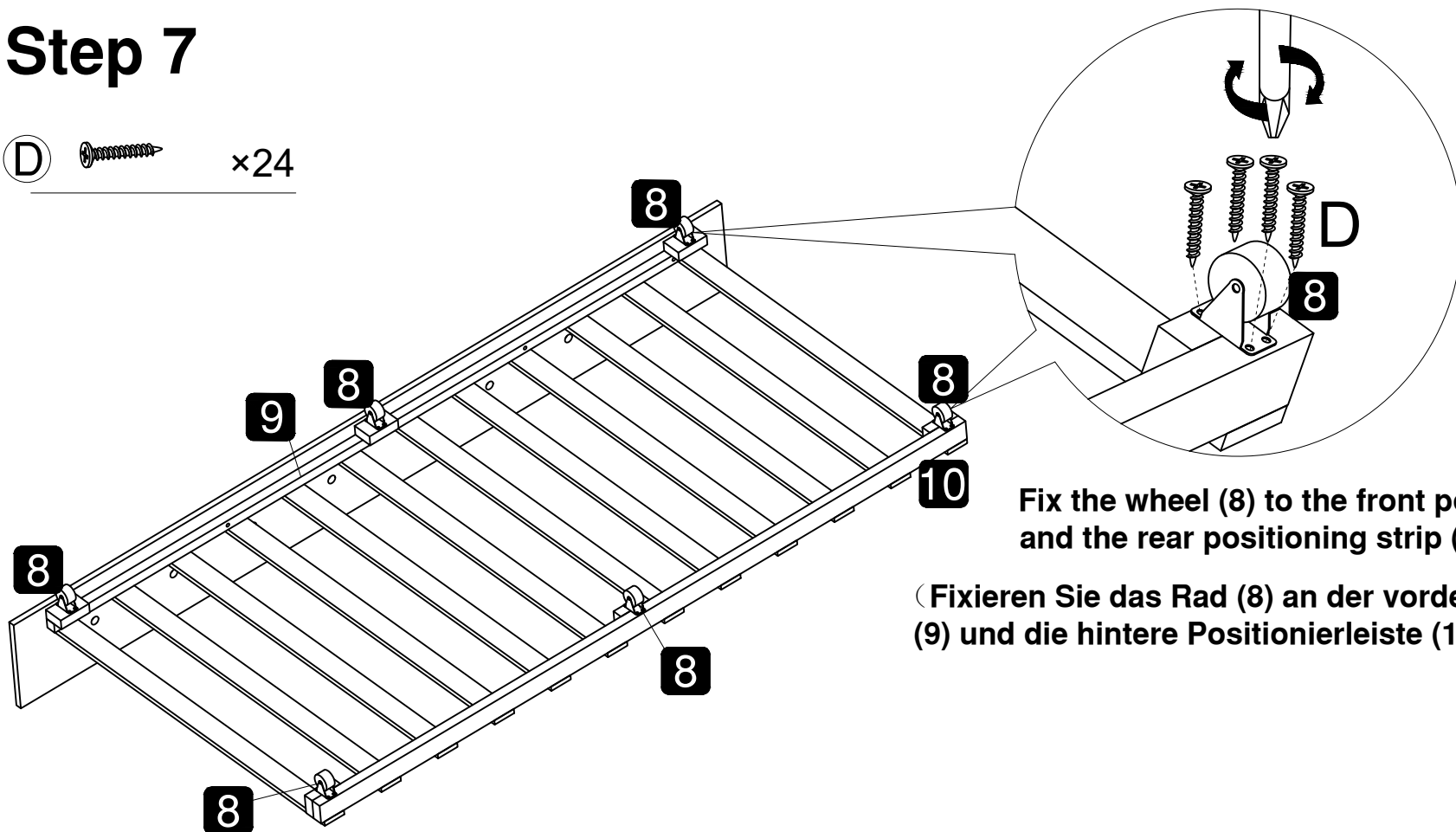
Fix Slats (4) to Front positioning strip (9) & Rear positioning strip (10) with screws (E).

(Lamellen (4) am vorderen Positionierstreifen (9) & hinteren Positionierstreifen (10) mit Schrauben (E) befestigen.)



## Step 7

Ⓓ  x24



Fix the wheel (8) to the front positioning strip (9) and the rear positioning strip (10) with screws (D).

(Fixieren Sie das Rad (8) an der vorderen Positionierleiste (9) und die hintere Positionierleiste (10) mit Schrauben (D).)

## Step 8

