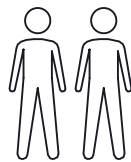
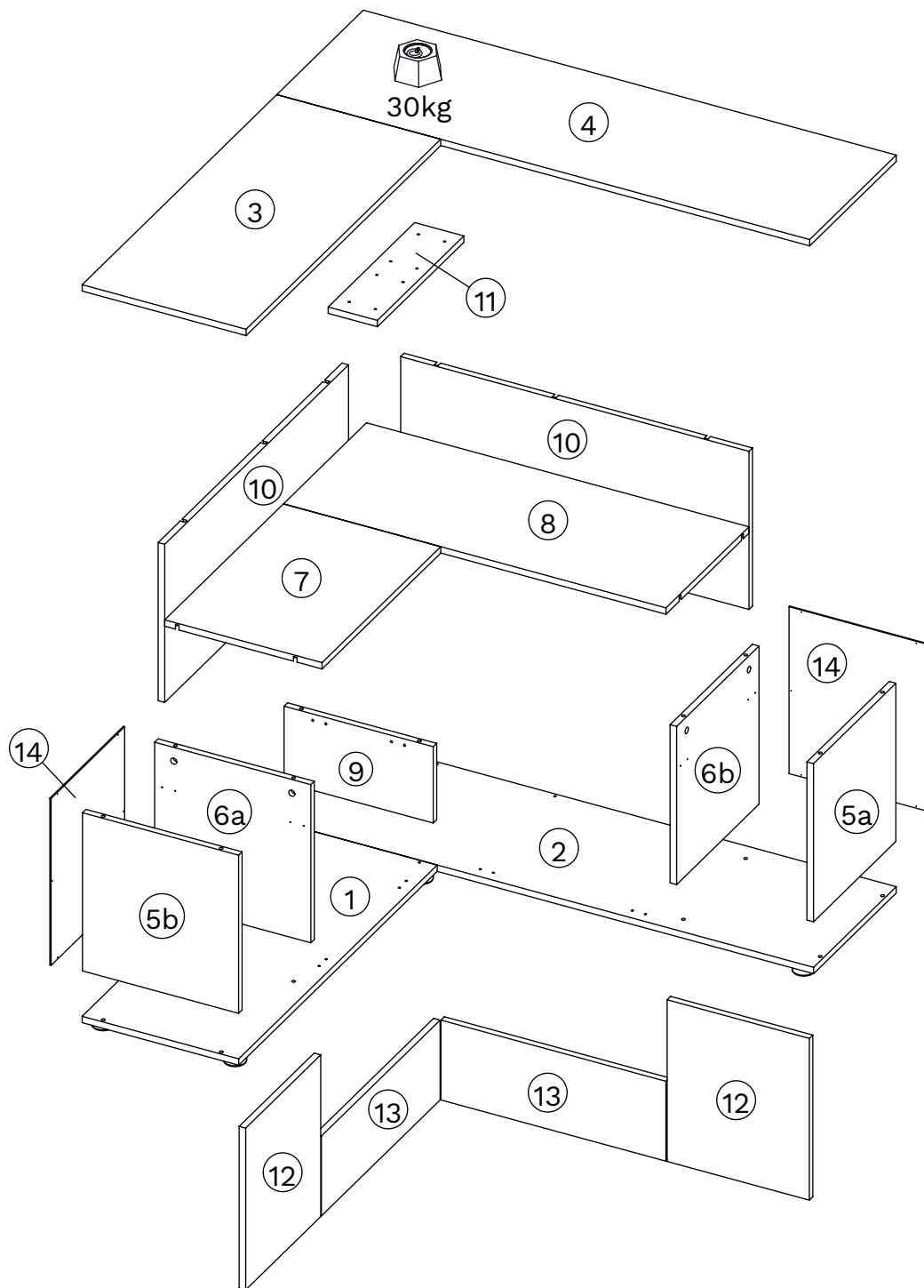



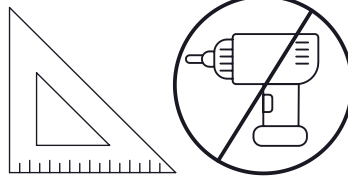
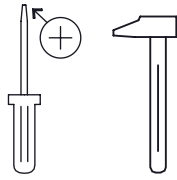
1:30



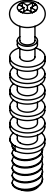
x 2



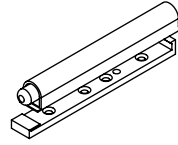
○	x	mm	
1	1	918 x 382 x 16	1
2	1	1300.5 x 382 x 16	1
3	1	900 x 400 x 16	2
4	1	1300.5 x 400 x 16	1
5	2	398 x 381 x 16	1
6	2	398 x 381 x 16	1
7	1	549 x 384 x 16	2
8	1	933.5 x 384 x 16	2
9	1	364 x 192 x 16	1
10	2	850 x 398 x 16	1
11	1	400 x 120 x 16	2
12	2	407 x 347 x 16	1
13	2	549 x 201 x 16	1
14	2	420 x 340 x 3	2



AA x12



BA x12



OY x4

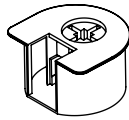


Ø3x12mm

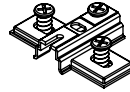
GA x8



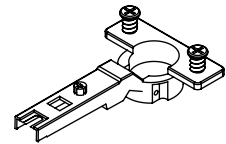
AFB x20



AGB x20



KL x8



KA x8



NK x12



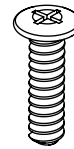
Ø4x15mm

IJ x4



Ø6.3x11mm

FB x12



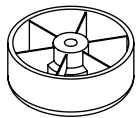
Ø6.2x27.5mm

FH x8



Ø6,3x50mm

CA x8

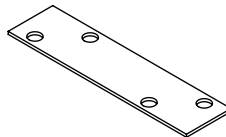


RN x6

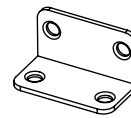


Ø4x20mm

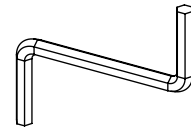
IB x6



SG x2

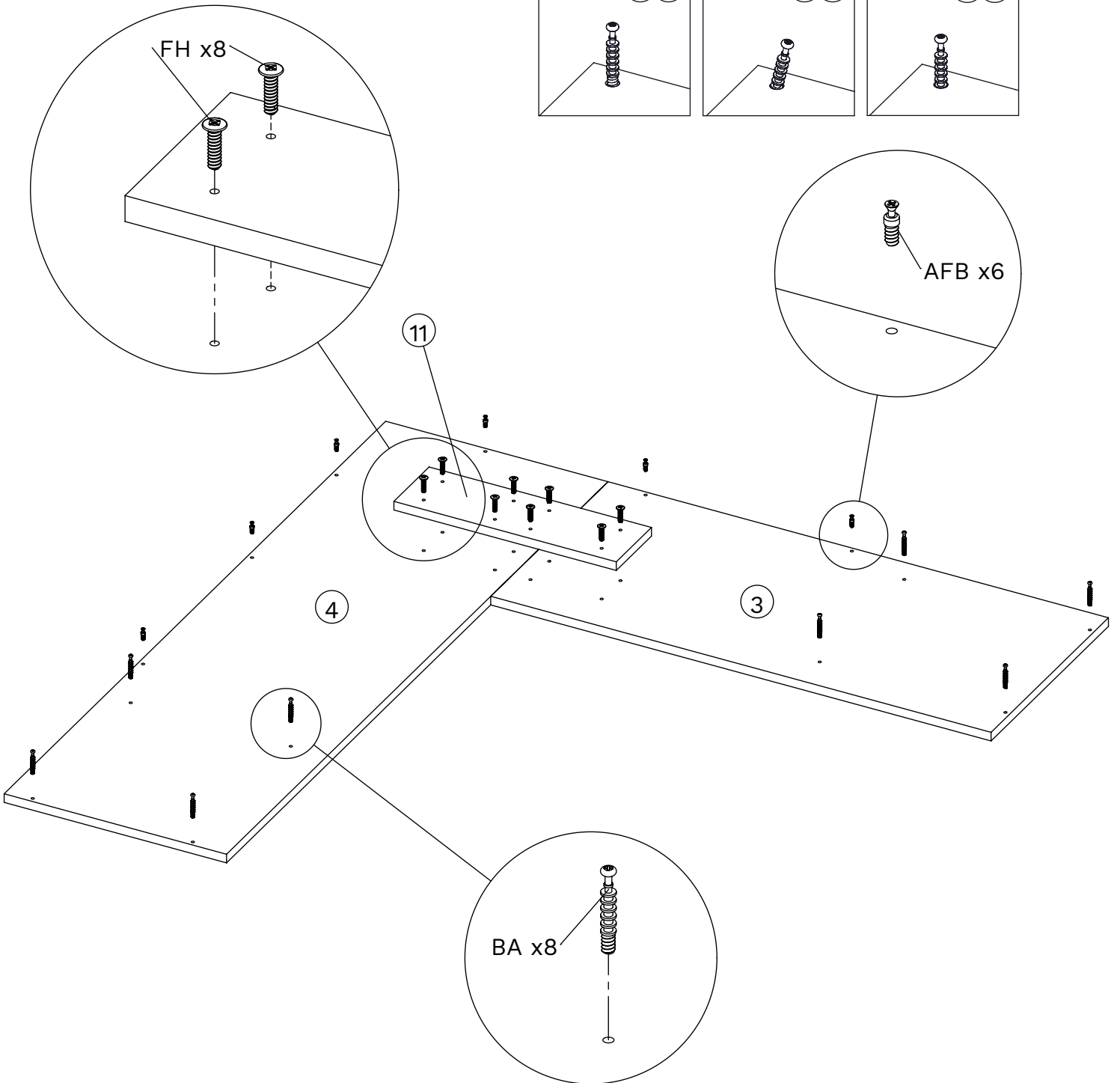
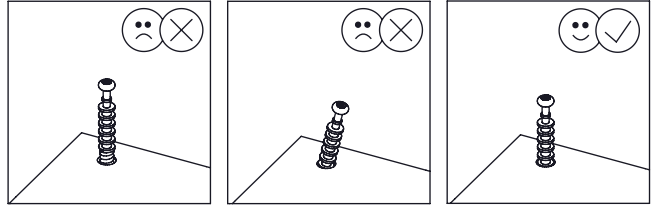
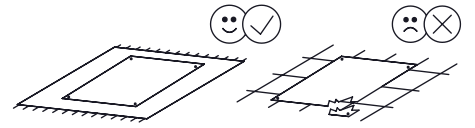
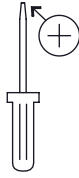
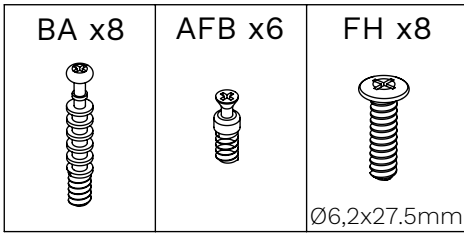


NEB x2

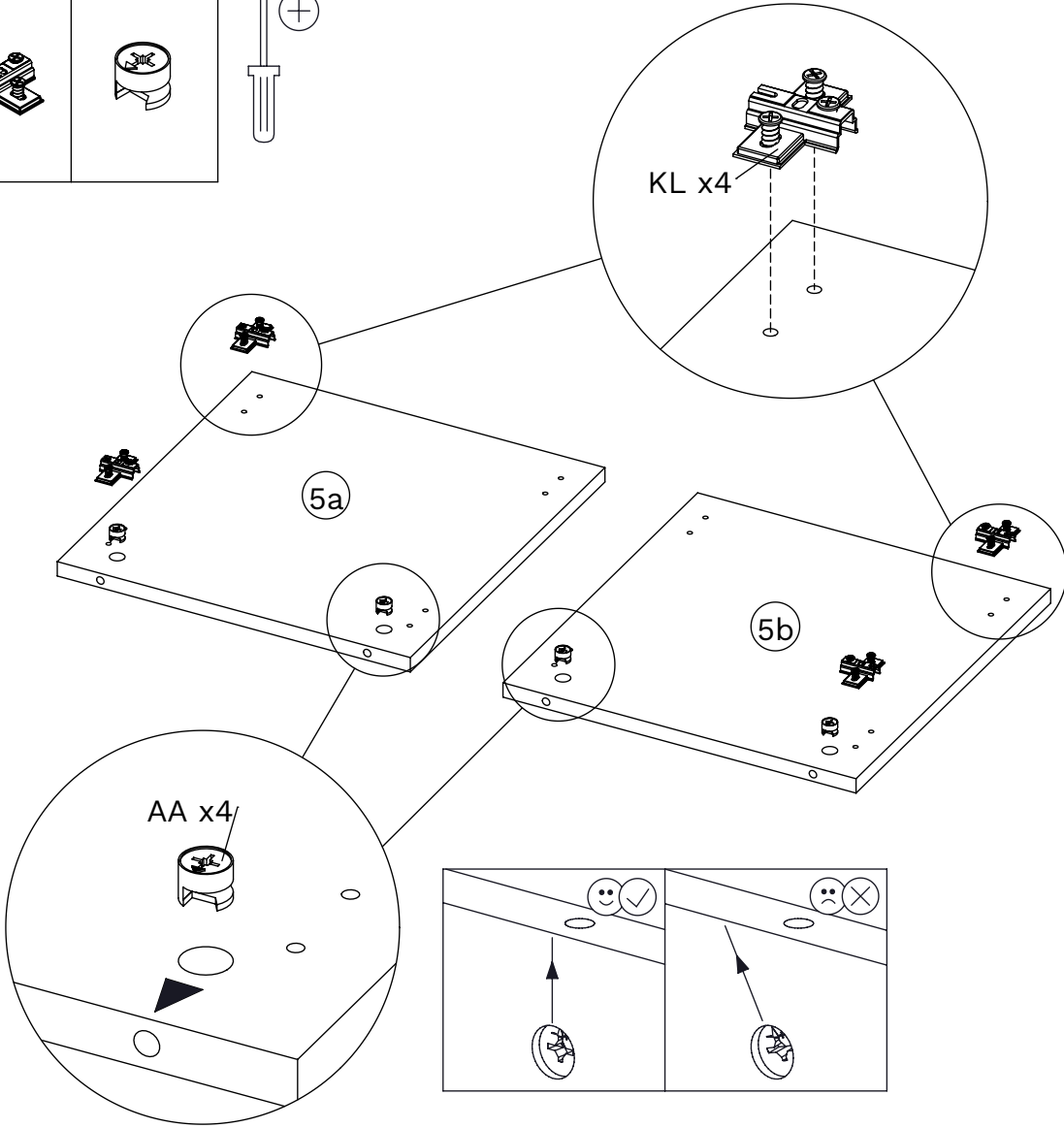
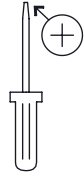
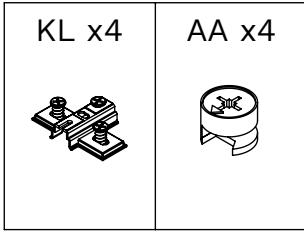


CLE x1

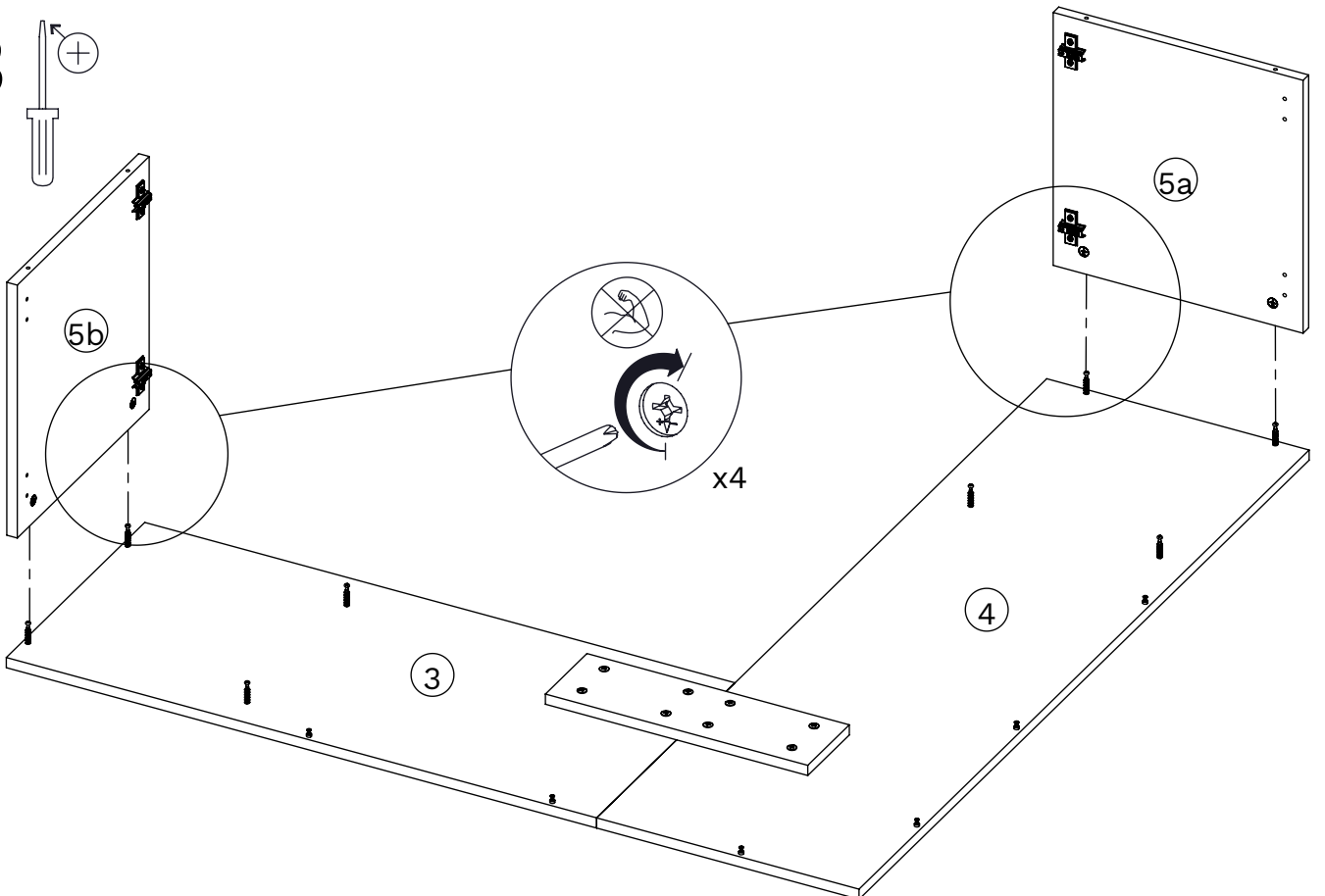
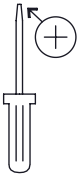
1




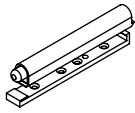


2

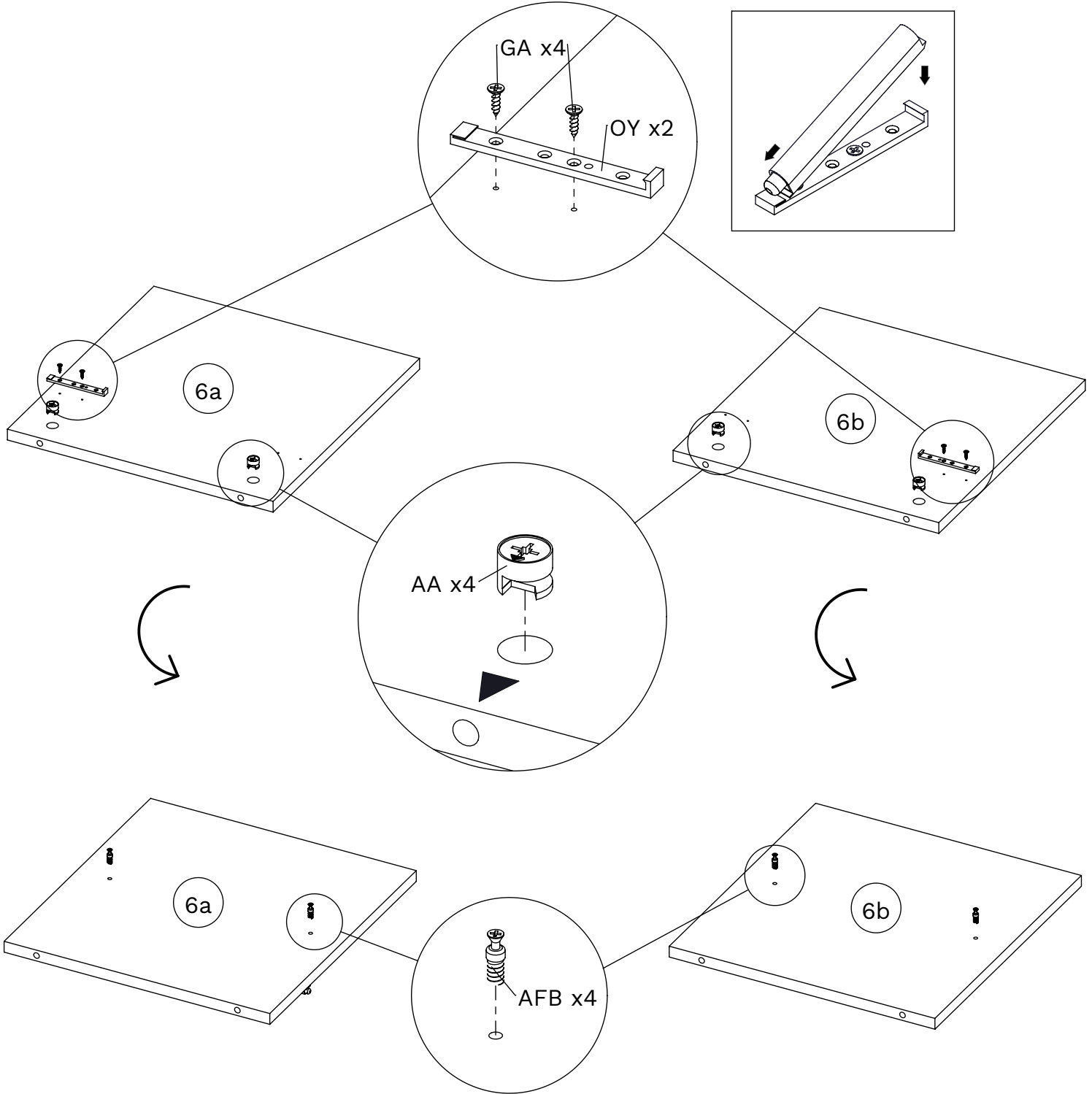
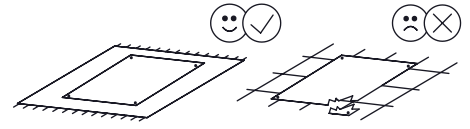
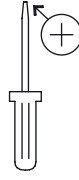


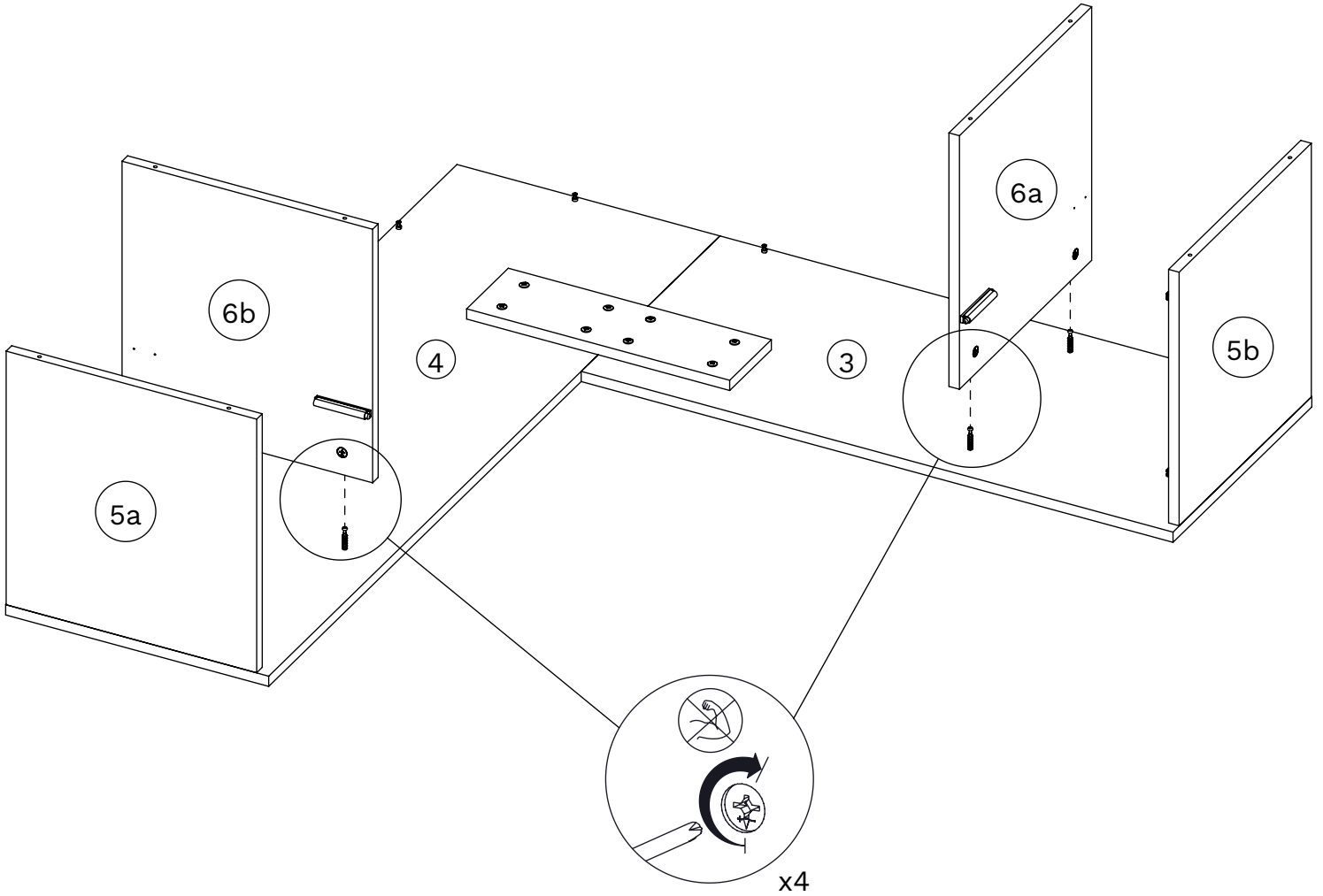
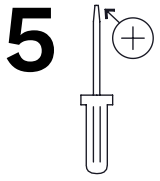
3

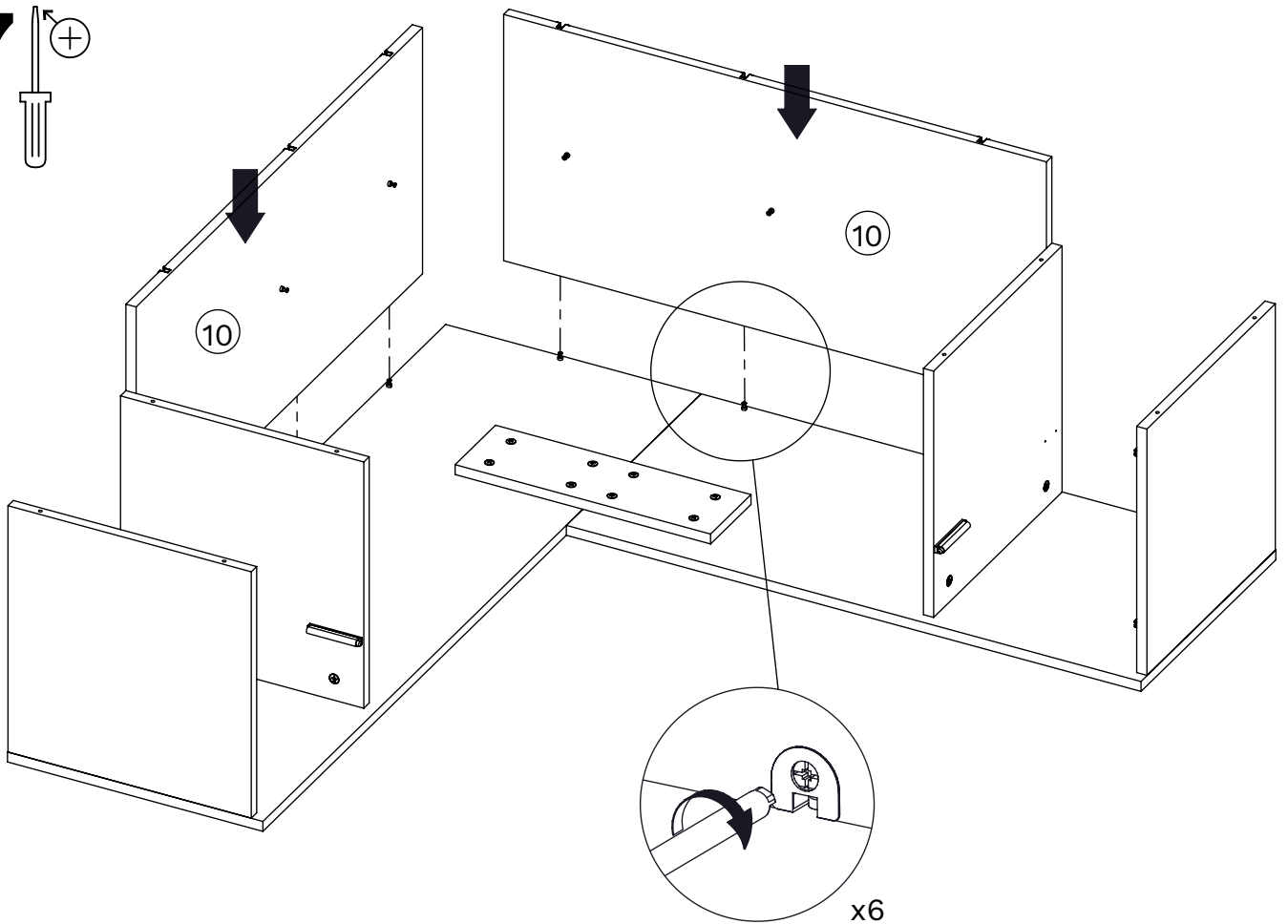
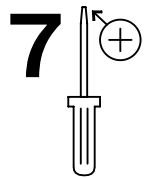
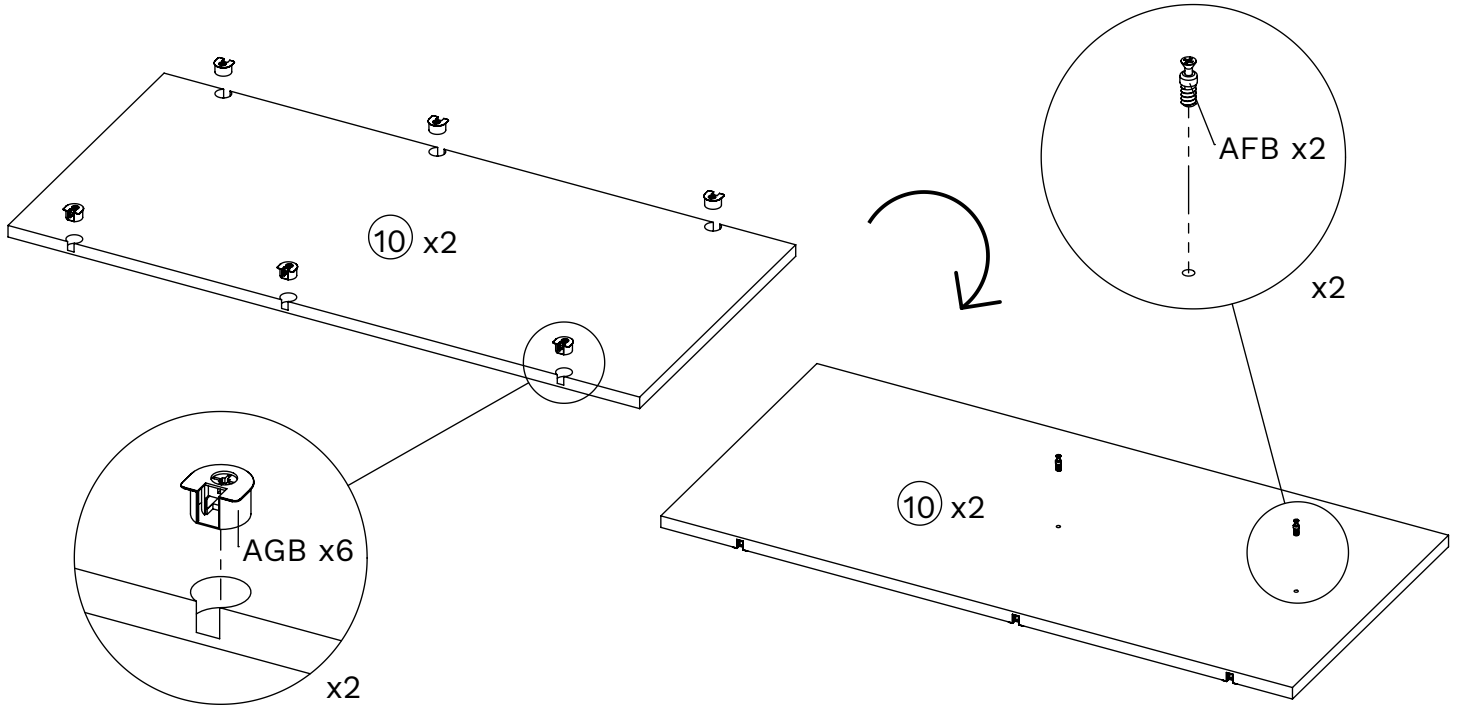
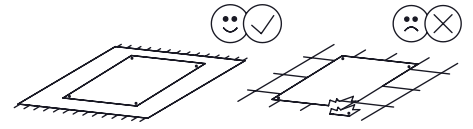
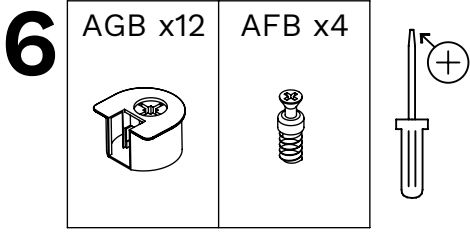


4

AA x4 	OY x2 	GA x4  Ø3x12mm	AFB x4 
--	--	---	---

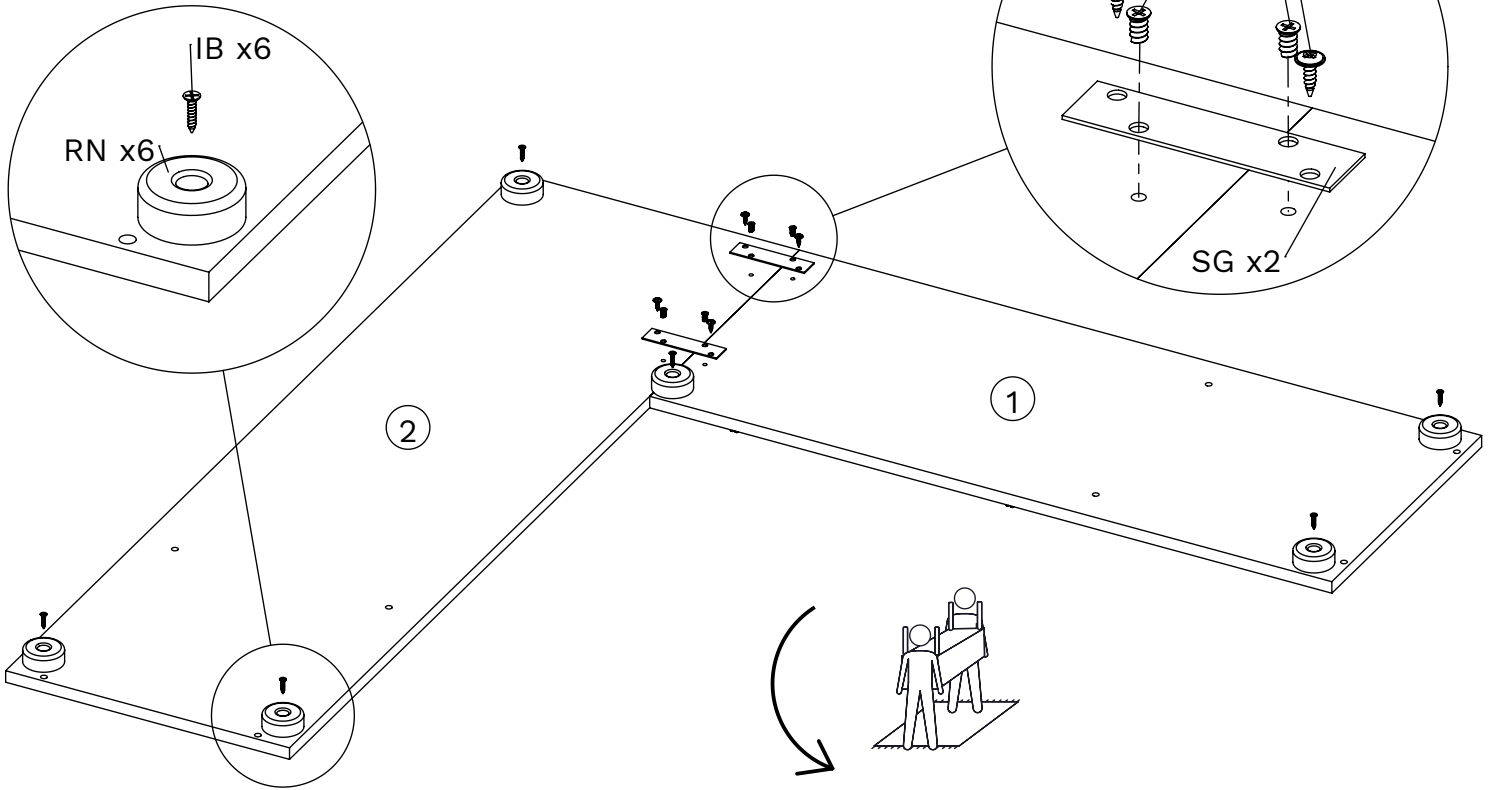
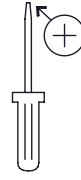






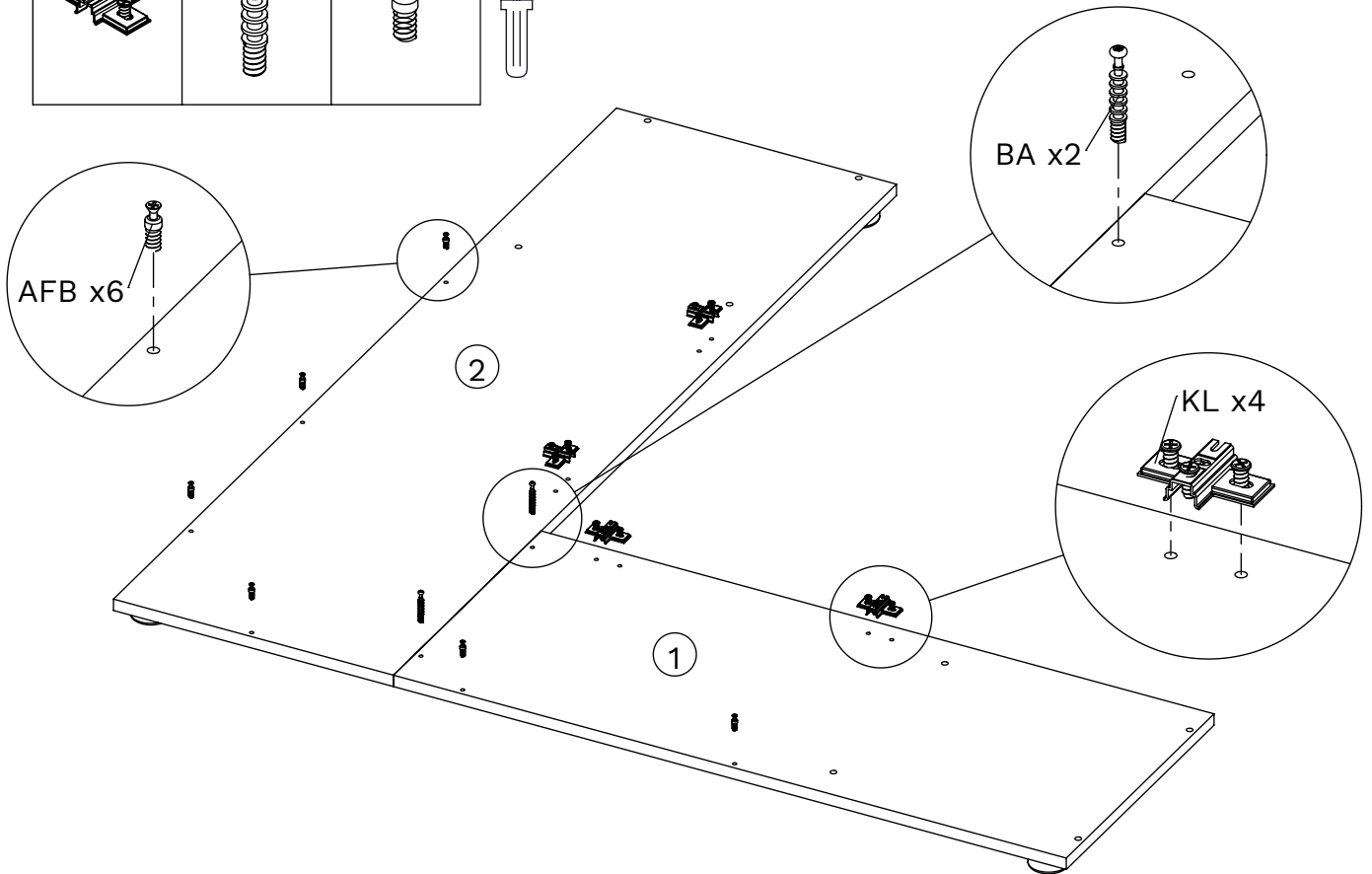
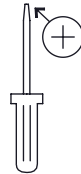
8

SG x2	IJ x4	FB x4	RN x6	IB x6
	Ø4x15mm	Ø6.3x11mm		Ø4x20mm



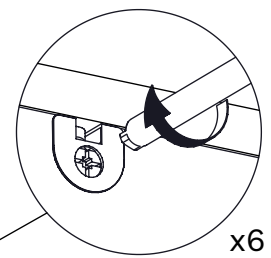
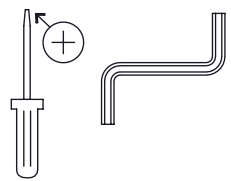
9

KL x4	BA x2	AFB x2

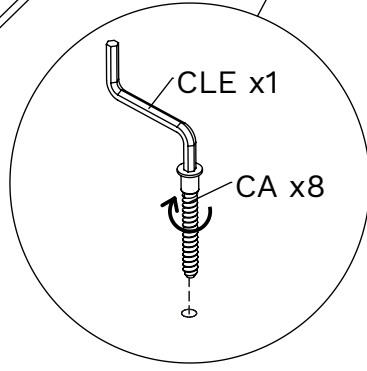
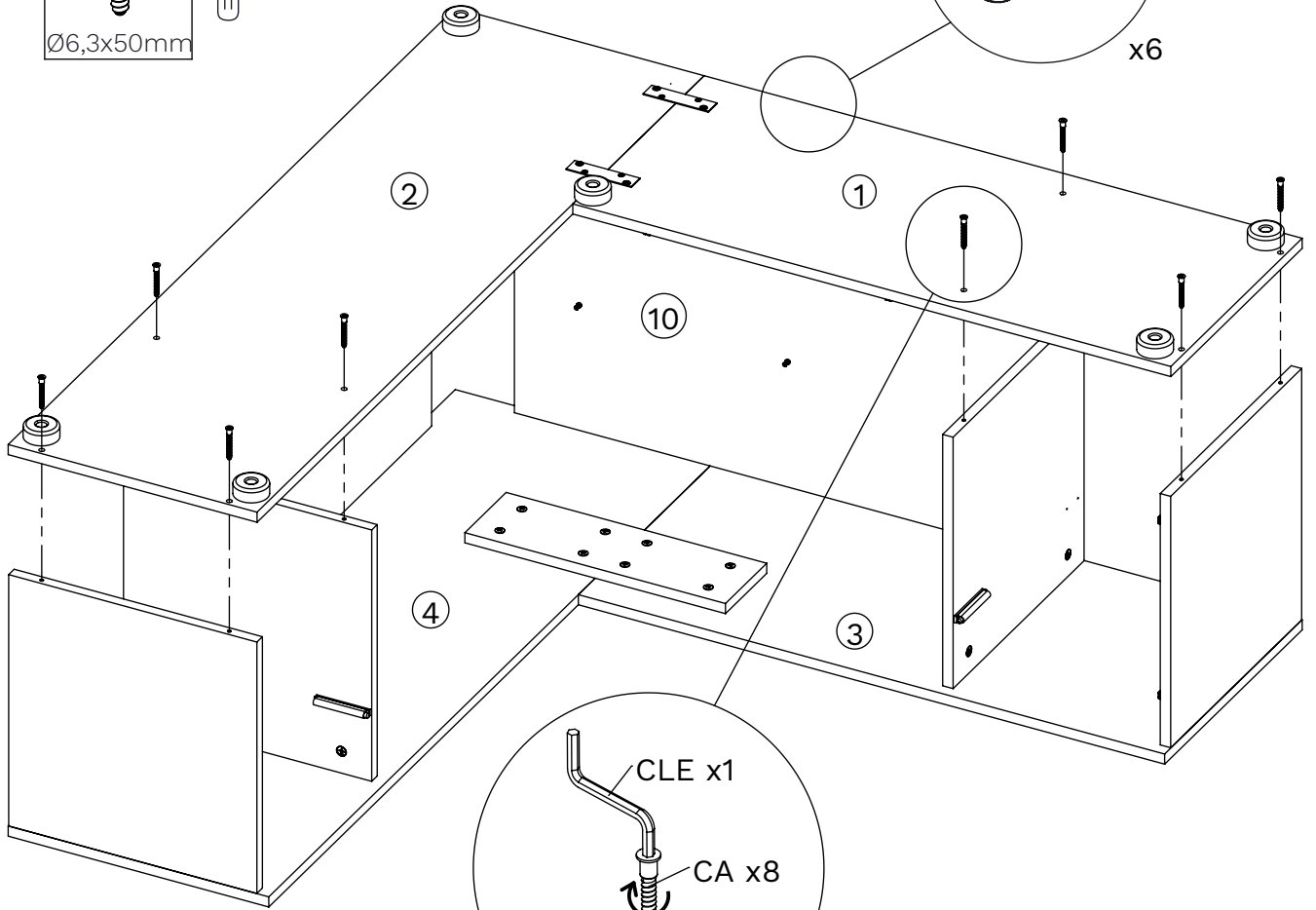


10

CA x8
Ø6,3x50mm

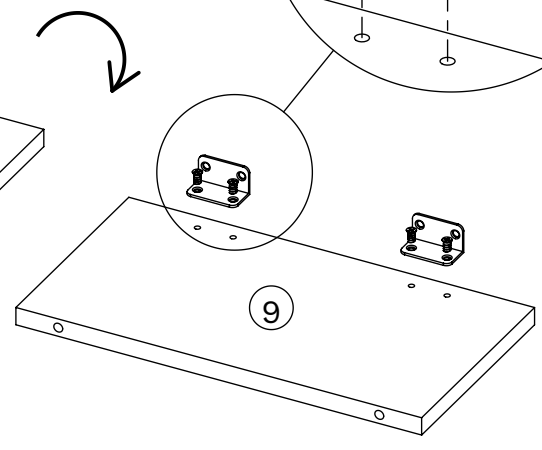
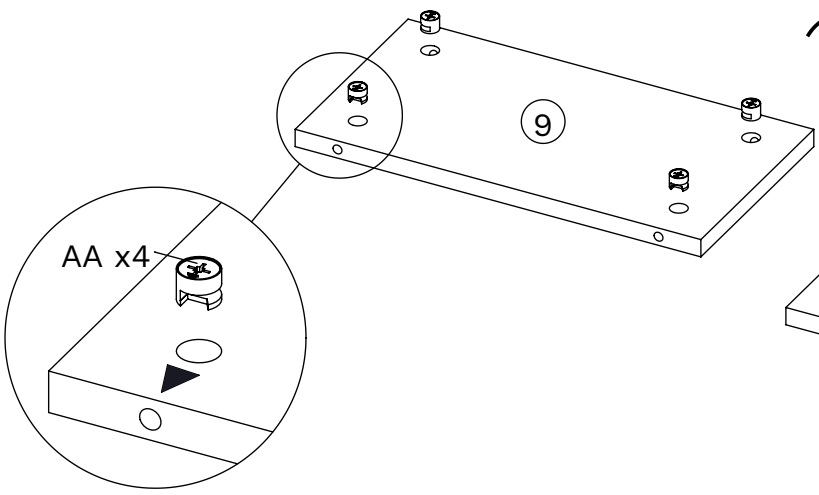
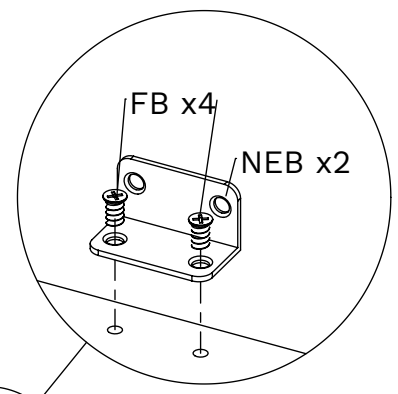
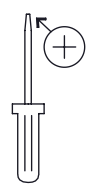


x6

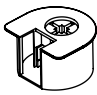
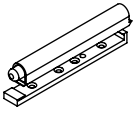

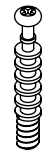


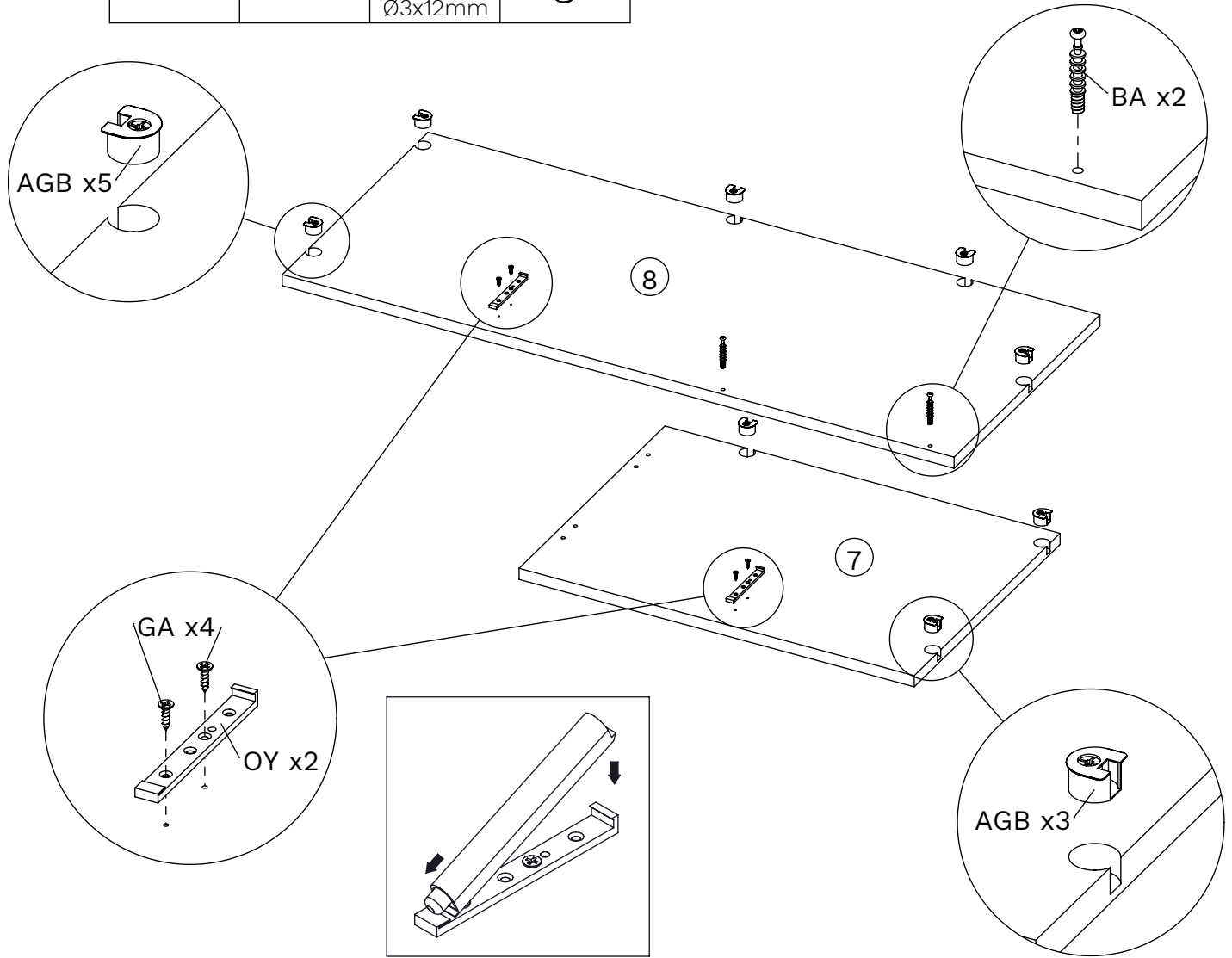
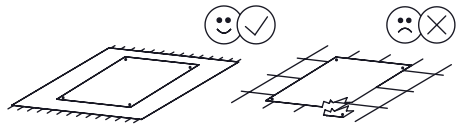
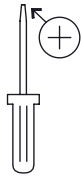
11

AA x4	NEB x2	FB x4
		Ø6.3x11mm

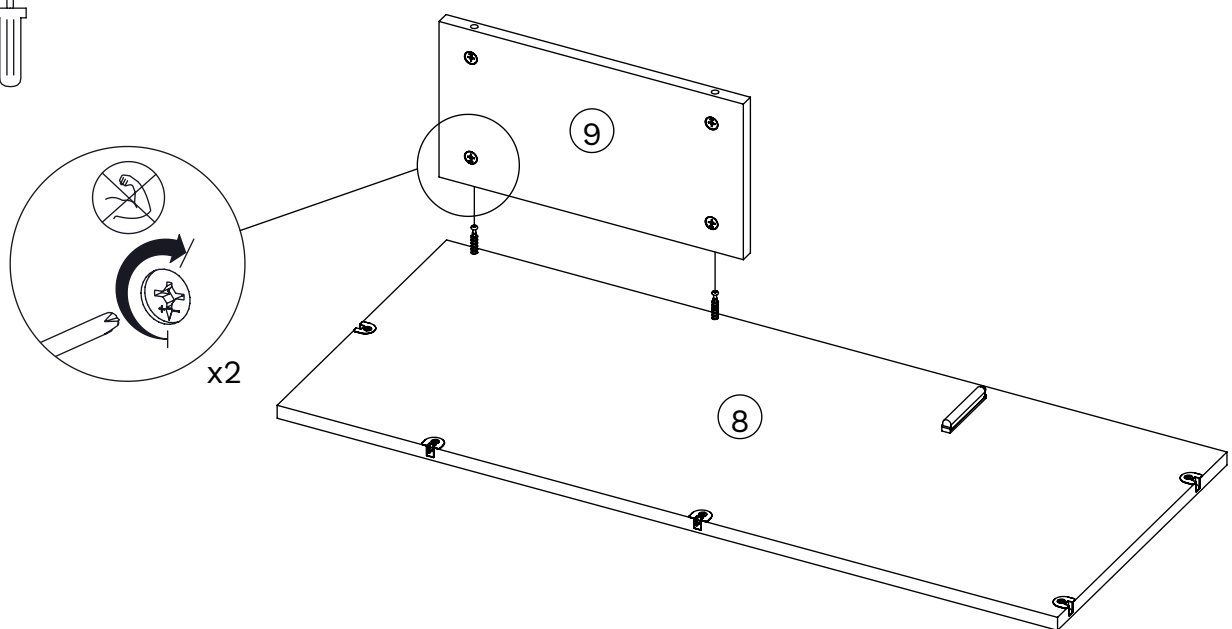
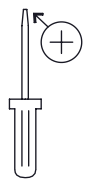


12

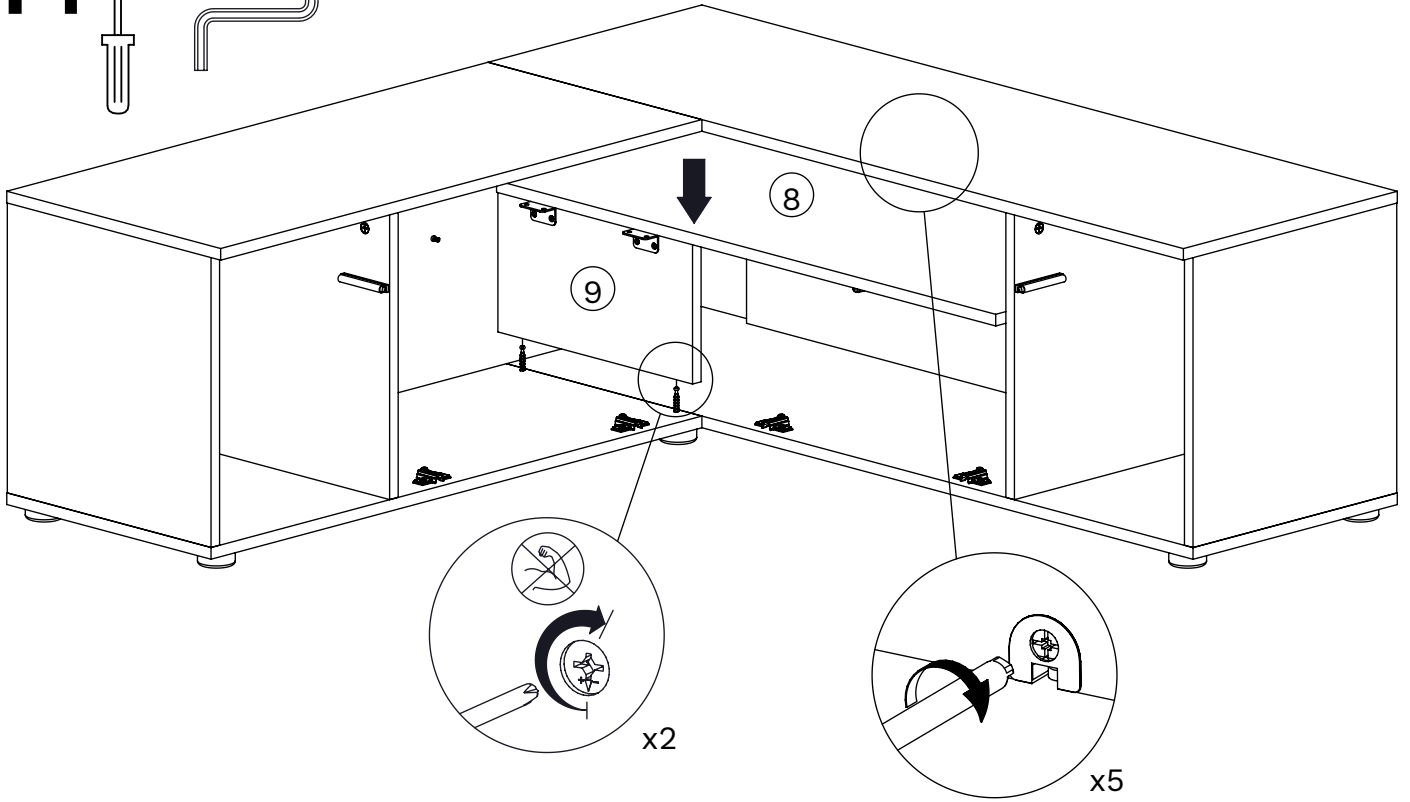
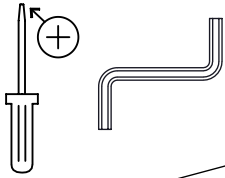
AGB x8	OY x2	GA x4	BA x2
			
		Ø3x12mm	



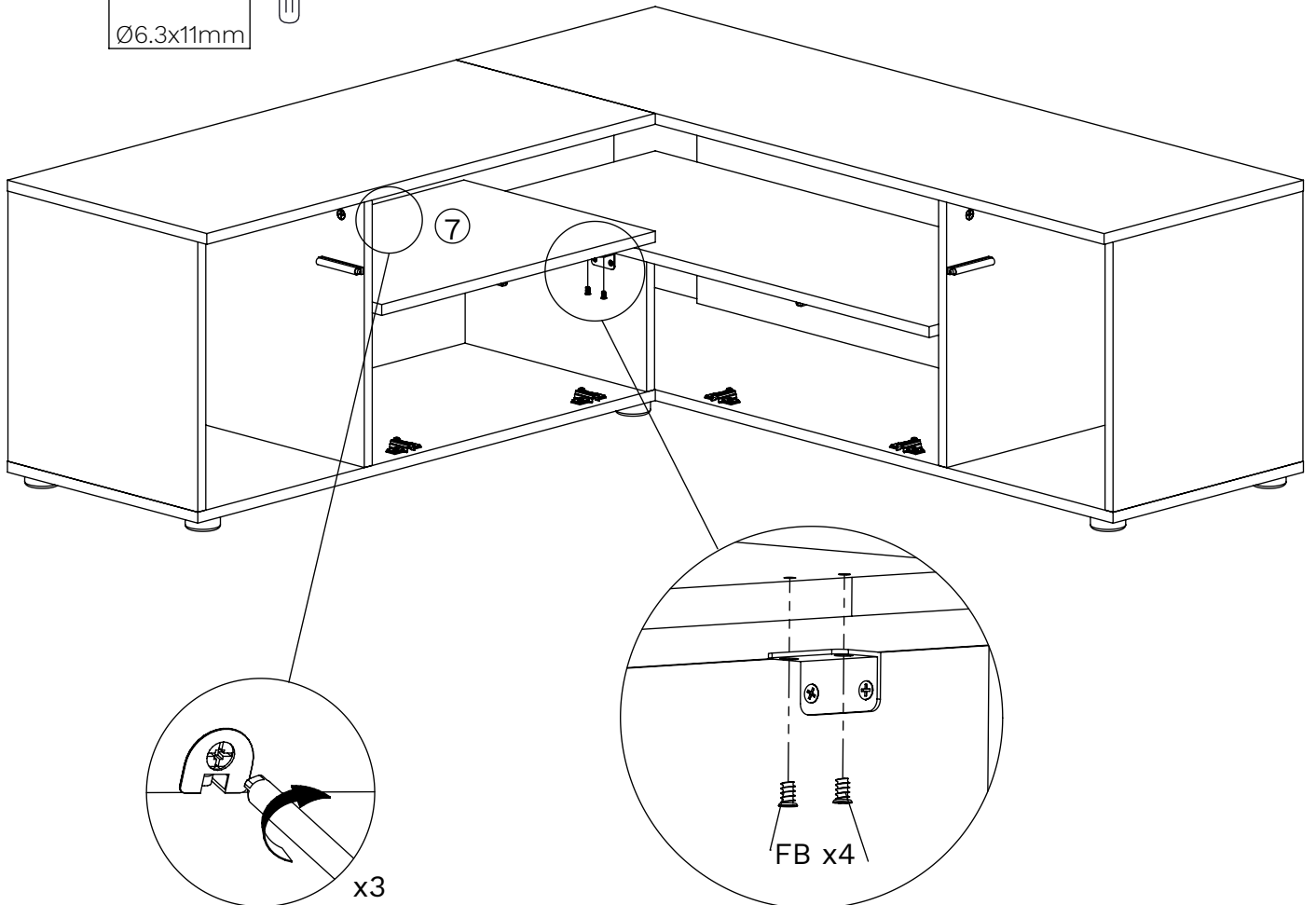
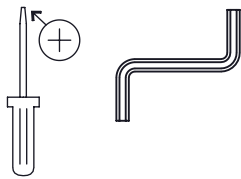
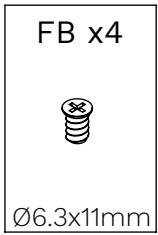
13



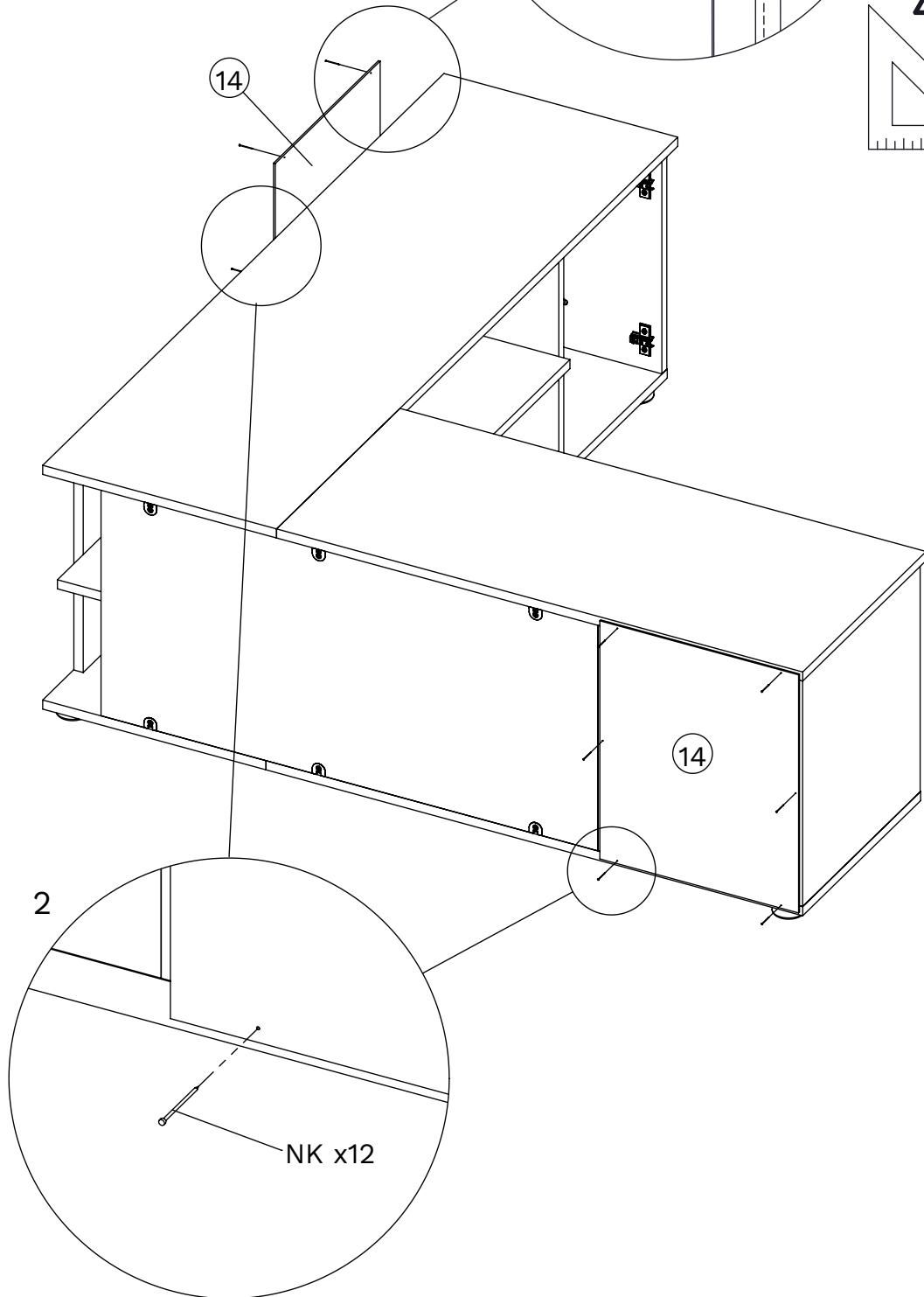
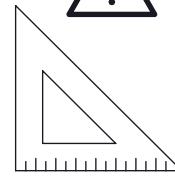
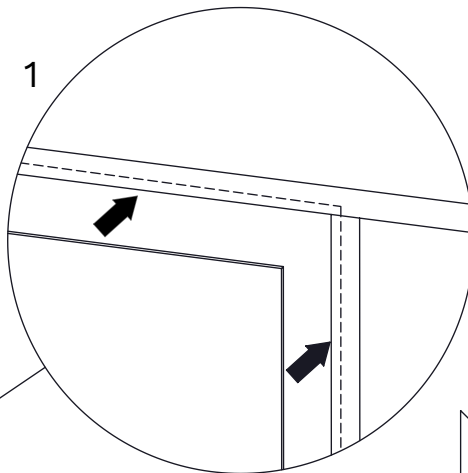
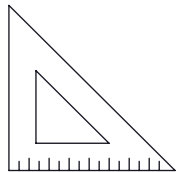
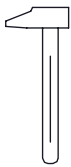
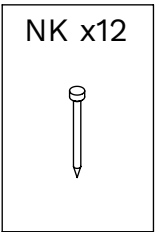
14



15

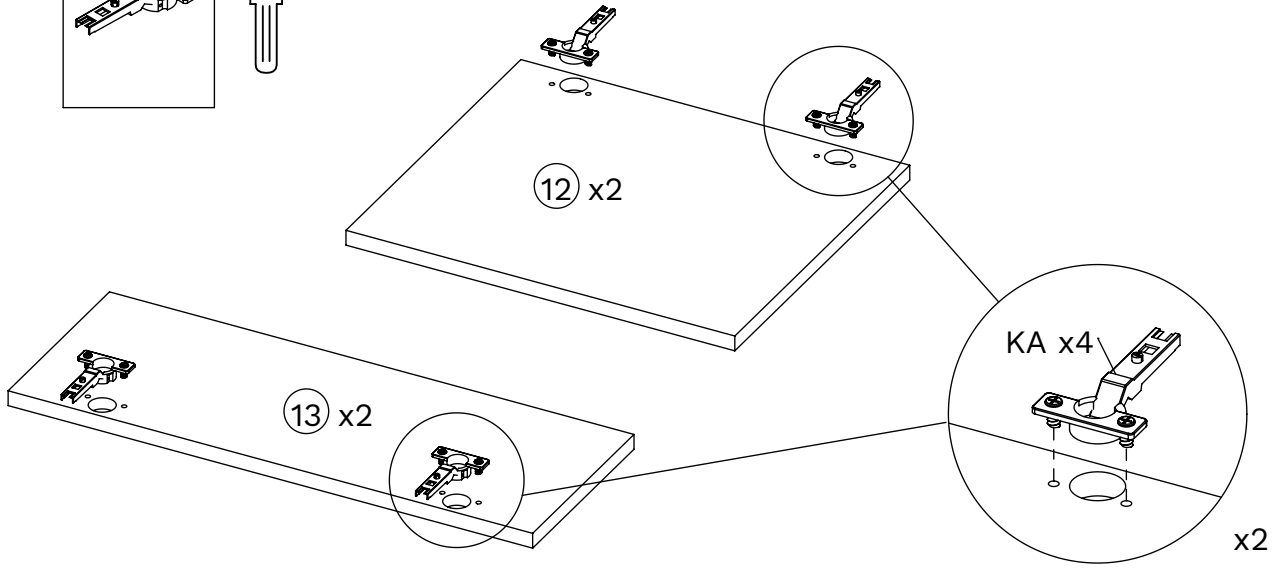
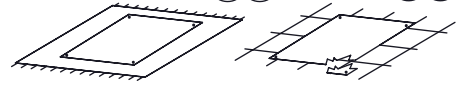
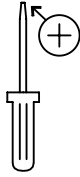
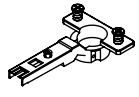


16

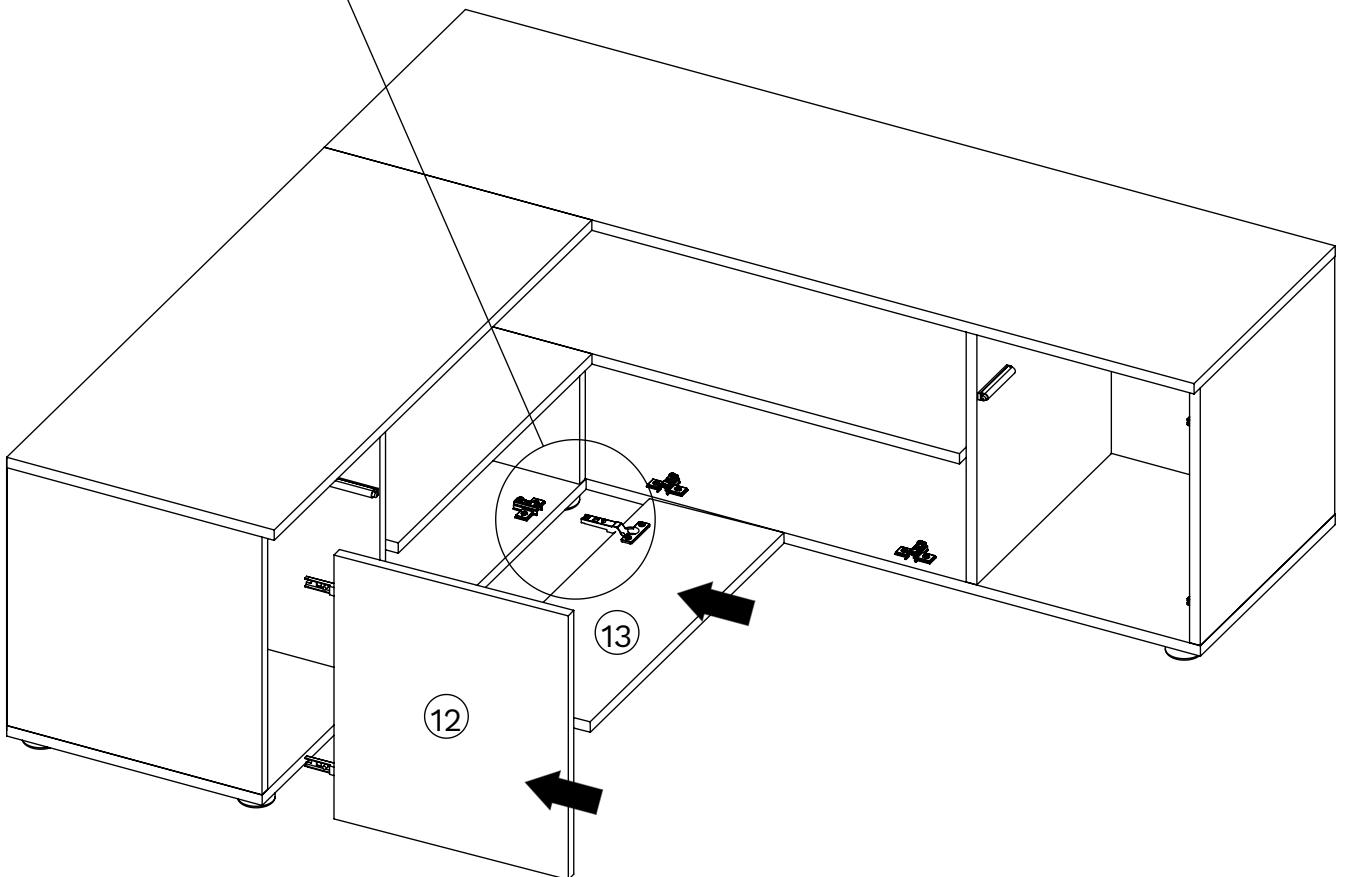
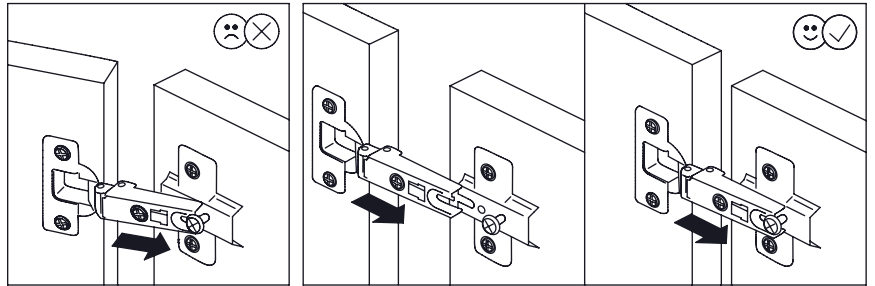
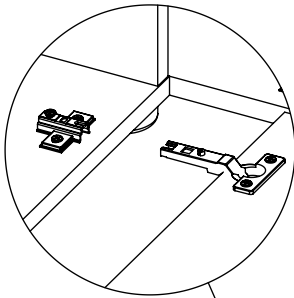


17

KA x8



18



19

