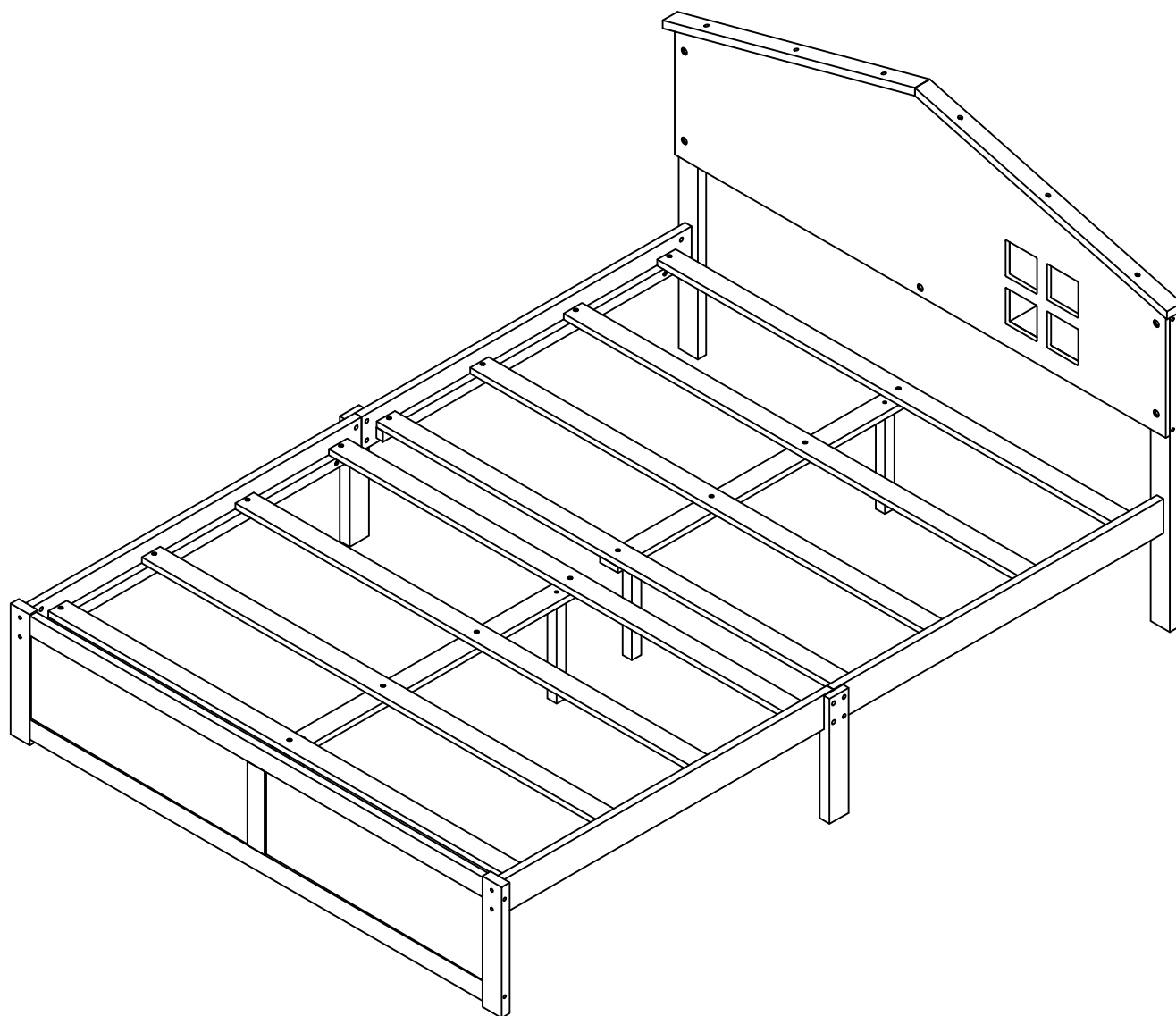


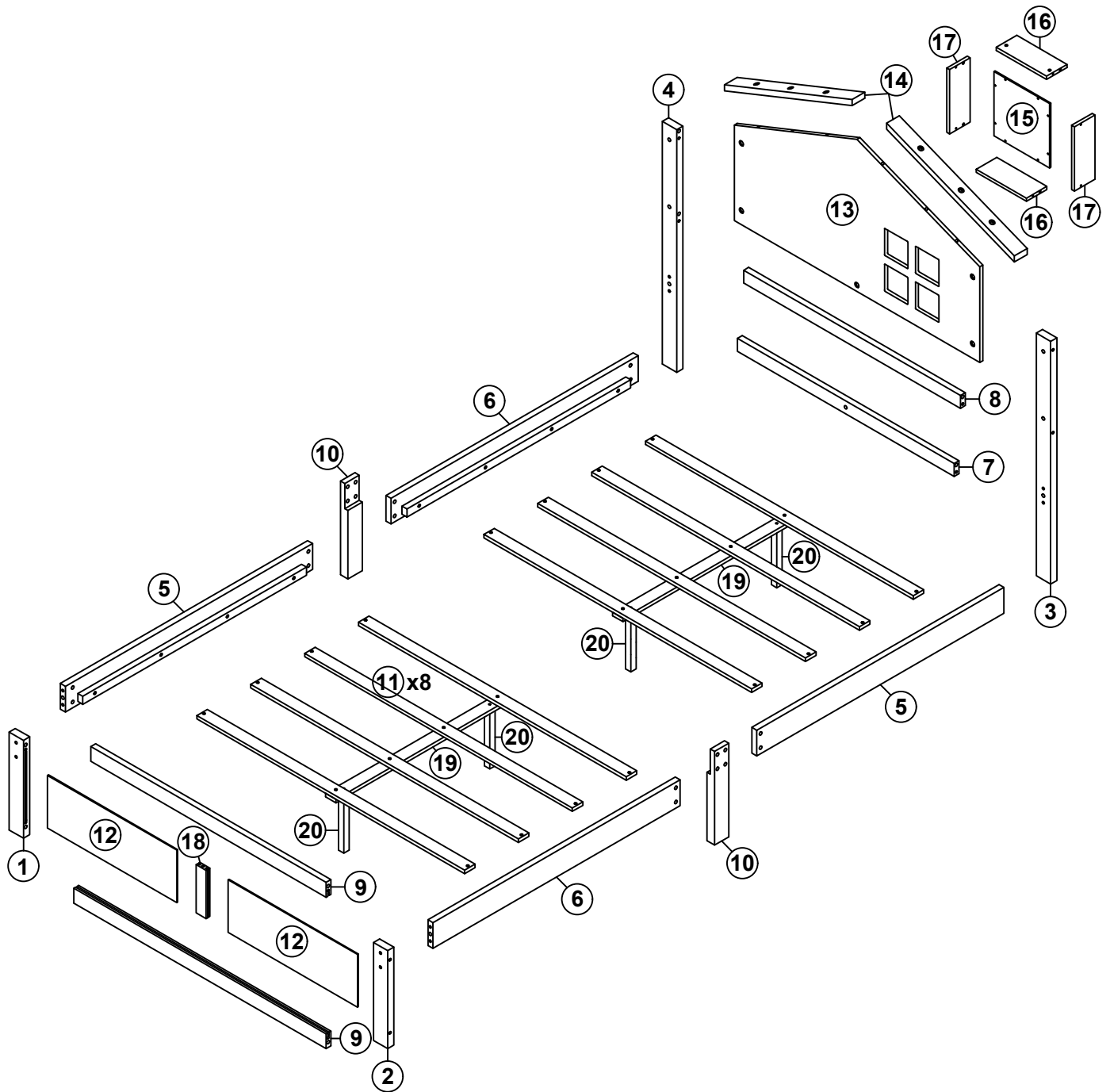
ASSEMBLY INSTRUCTIONS

DOPPELBETT




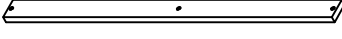
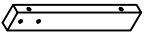
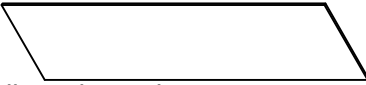
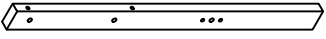
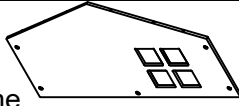
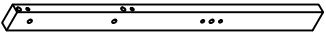
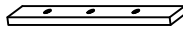
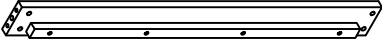
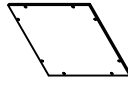
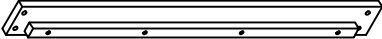
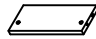
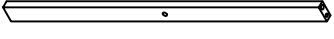
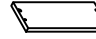
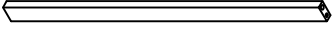


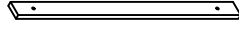
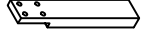
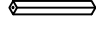
WF319100

ASSEMBLY INSTRUCTIONS






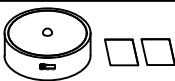

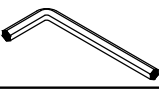










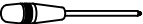
ASSEMBLY INSTRUCTIONS

WF319100 (Hardware in this SKU)

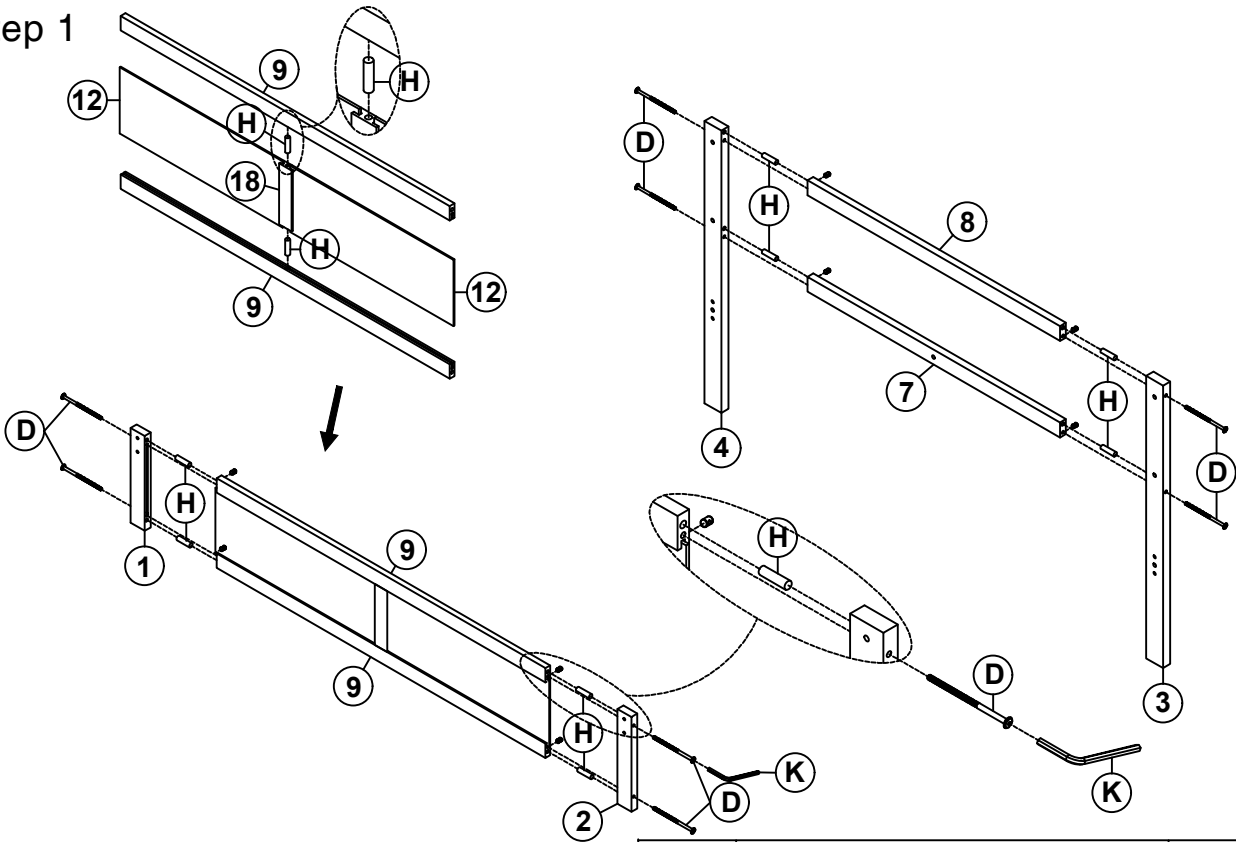
1	Leg		1pc	11	Slats		8pcs
2	Leg		1pc	12	Headboard panels		2pcs
3	Leg		1pc	13	Bed head frame		1pc
4	Leg		1pc	14	Roof top		2pcs
5	Side rail		2pcs	15	Back door frame		1pc
6	Side rail		2pcs	16	Top & bottom door frame		2pcs
7	Headboard panel		1pc	17	Side door frame		2pcs
8	Headboard panel		1pc	18	Headboard panels support		1pc
9	Headboard panel		2pcs	19	Center rails		2pcs
10	Guard rails support		2pcs	20	Center rails support legs		4pcs




ASSEMBLY INSTRUCTIONS

WF319100 (Hardware in this SKU)

A	Ø4x38		10PCS		I	Ø8x30		4PCS
B	Ø4x30		24PCS		J			1PC
C	Ø3.5x12		16PCS		K	4x58		1PC
D	1/4x110		8PCS		L	Ø8x9		10PCS
E	1/4x65		8PCS		M	15x15x2		4PCS
F	1/4x30		8PCS		N	1/4x25		6PCS
G	1/4x25		4PCS		O	6.5x50		4PCS
H	Ø10x40		14PCS		P	1/4x20		1PC
						Phillip head screw Not include		

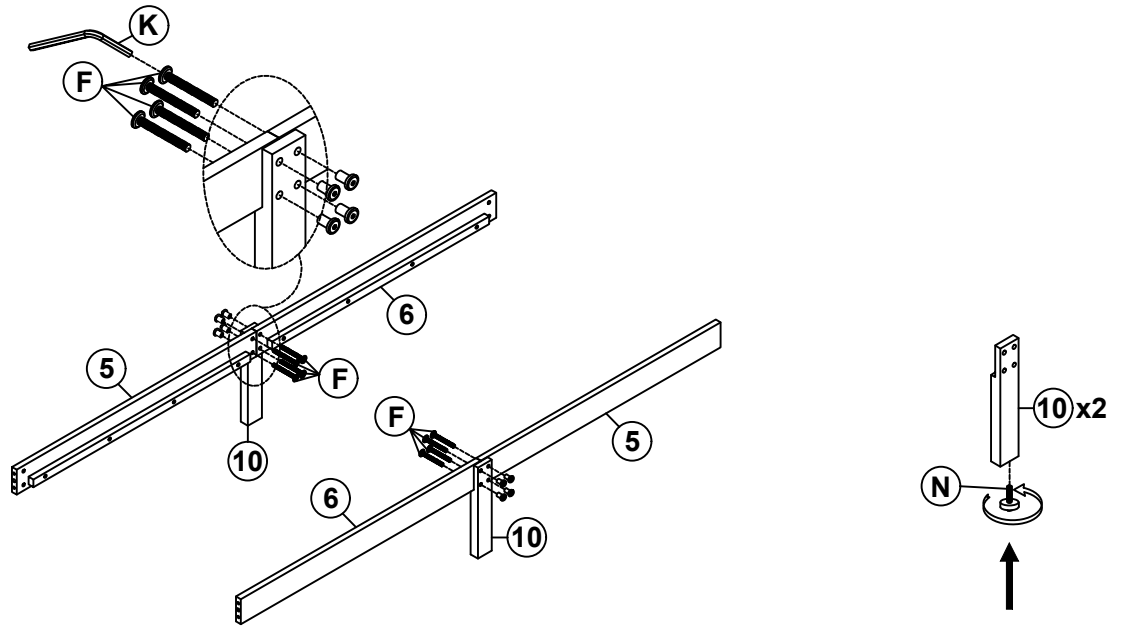
Step 1



K	4x58		1PC
D	1/4x110		8PCS
H	Ø10x40		10PCS

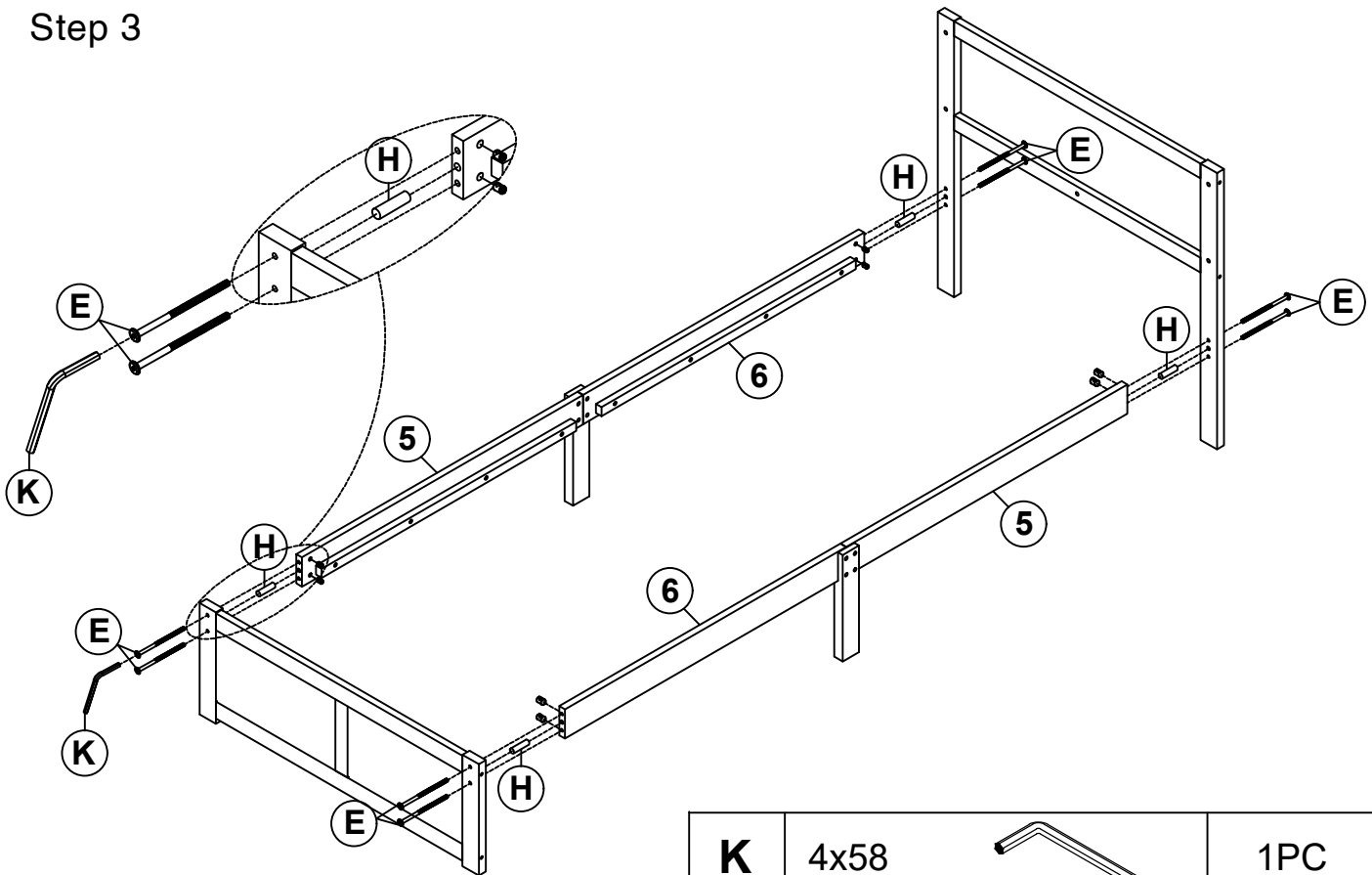
ASSEMBLY INSTRUCTIONS

Step 2



K	4x58		1PC
N	1/4x25		2PCS
F	1/4x30		8PCS

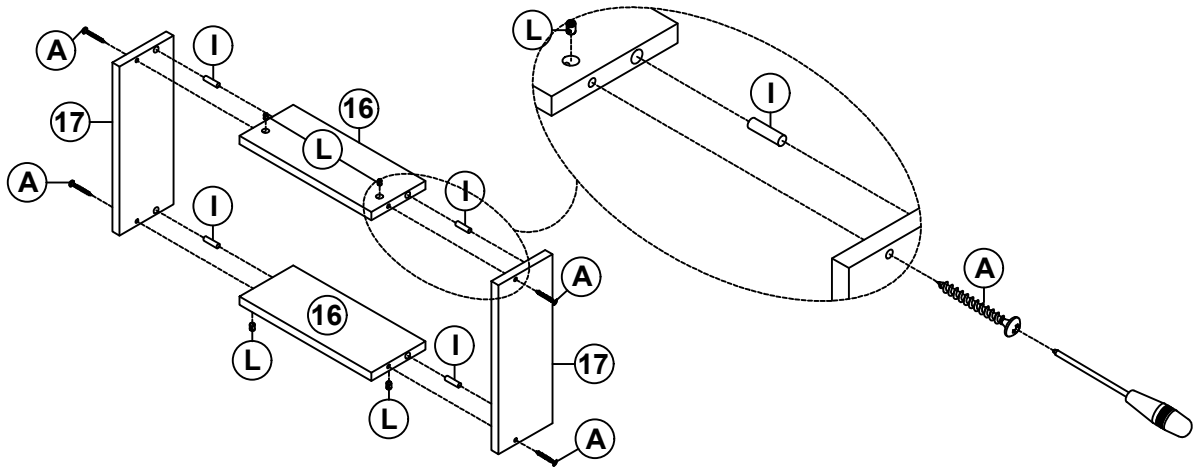
Step 3



K	4x58		1PC
E	1/4x65		8PCS
H	Ø10x40		4PCS

ASSEMBLY INSTRUCTIONS

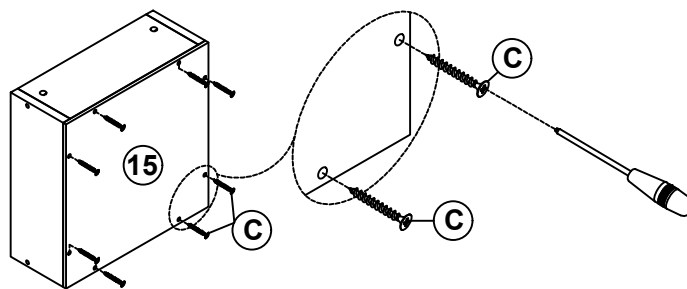
Step 4







View form the Front



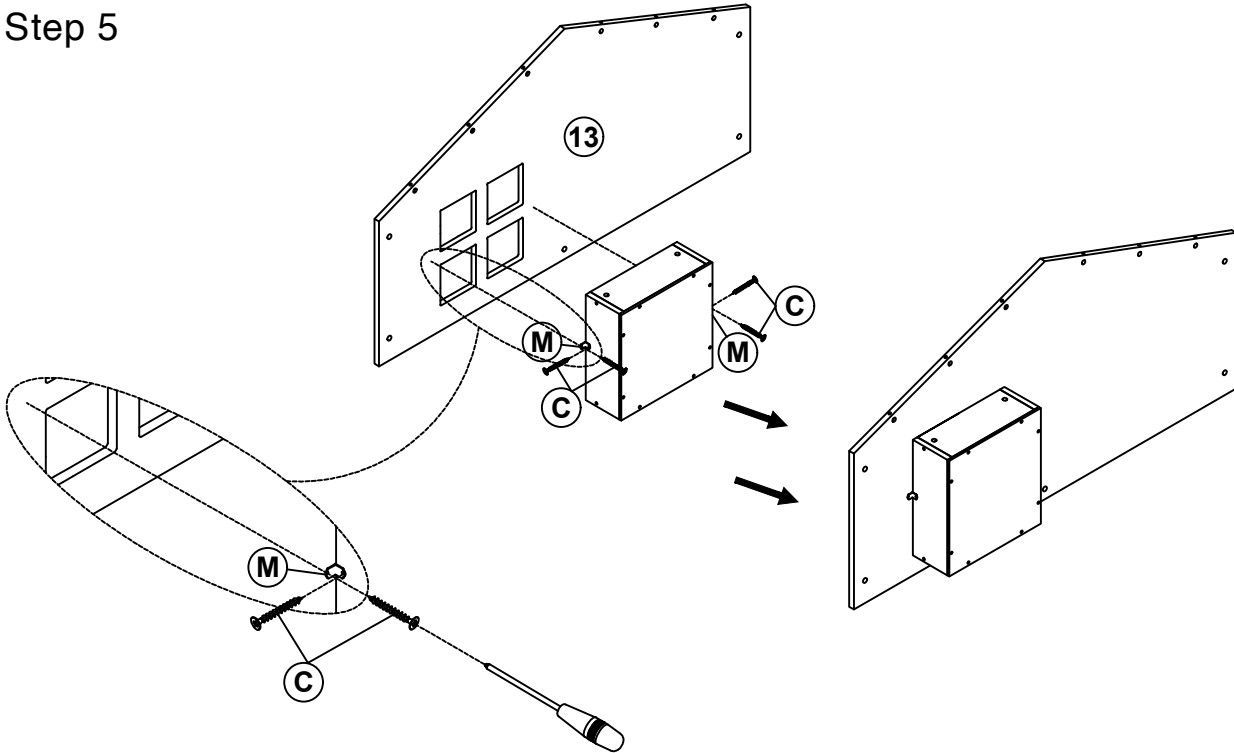
View form the Back



A	Ø4x38		4PCS	C	Ø3.5x12		8PCS
L	Ø8x9		4PCS	I	Ø8x30		4PCS

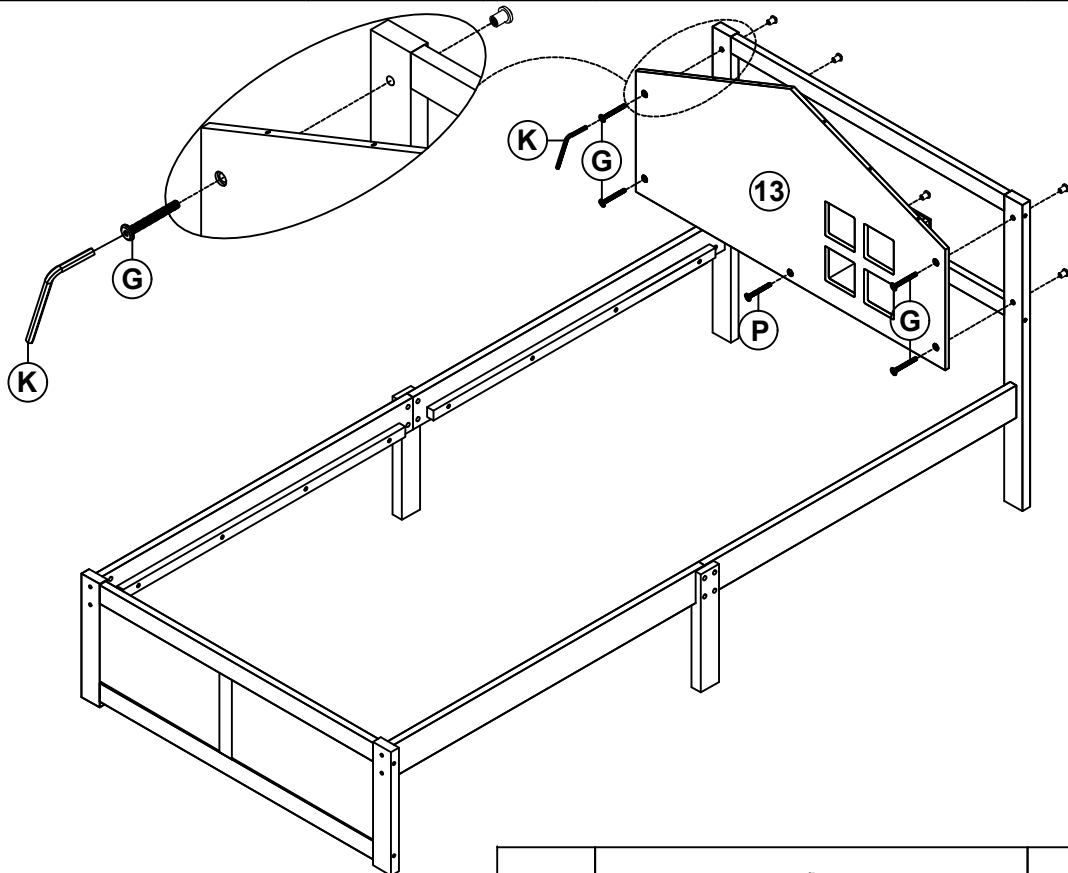
ASSEMBLY INSTRUCTIONS

Step 5



C	Ø3.5x12		4PCS	M	15x15x2		2PCS
----------	---------	--	------	----------	---------	--	------

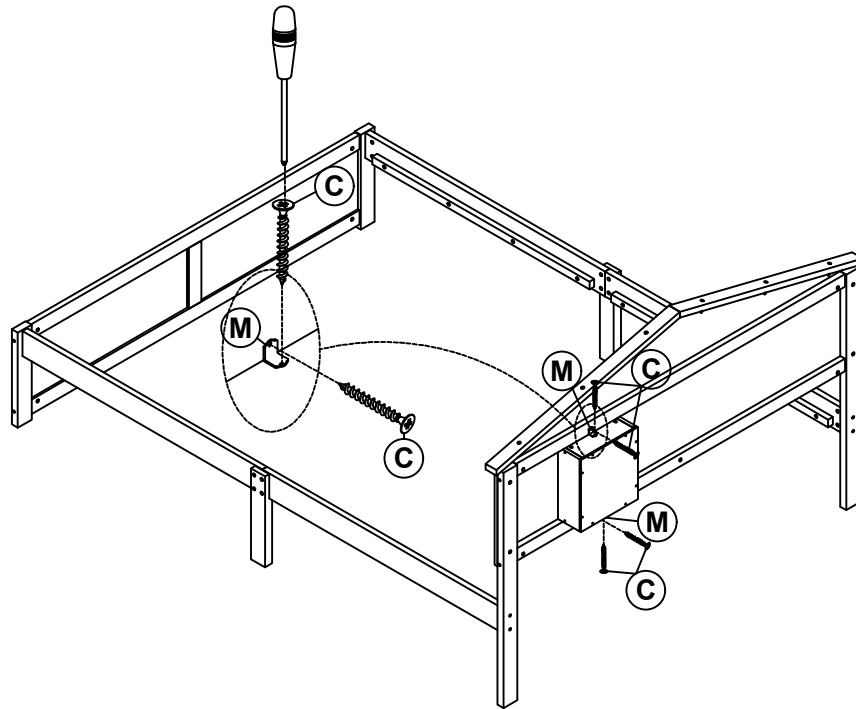
Step 6





G	1/4x25		4PCS	K	4x58		1PC
				P	1/4x20		1PC

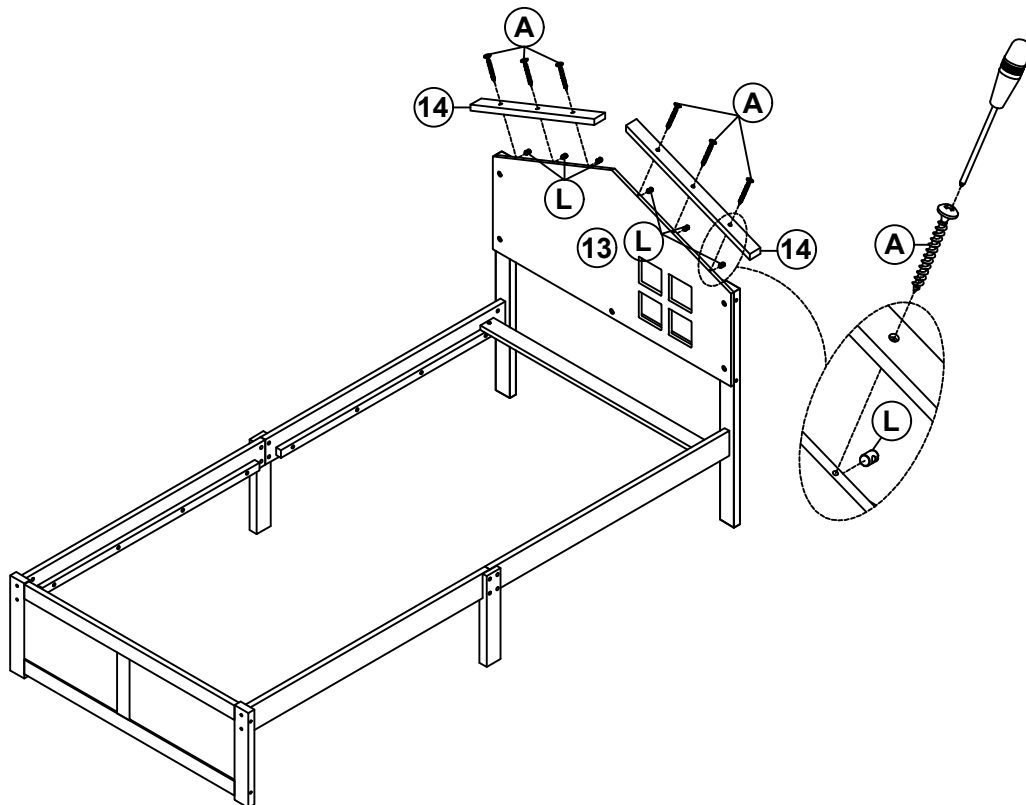
ASSEMBLY INSTRUCTIONS

Step 7



C	Ø3.5x12		4PCS	M	15x15x2		2PCS
----------	---------	---	------	----------	---------	---	------

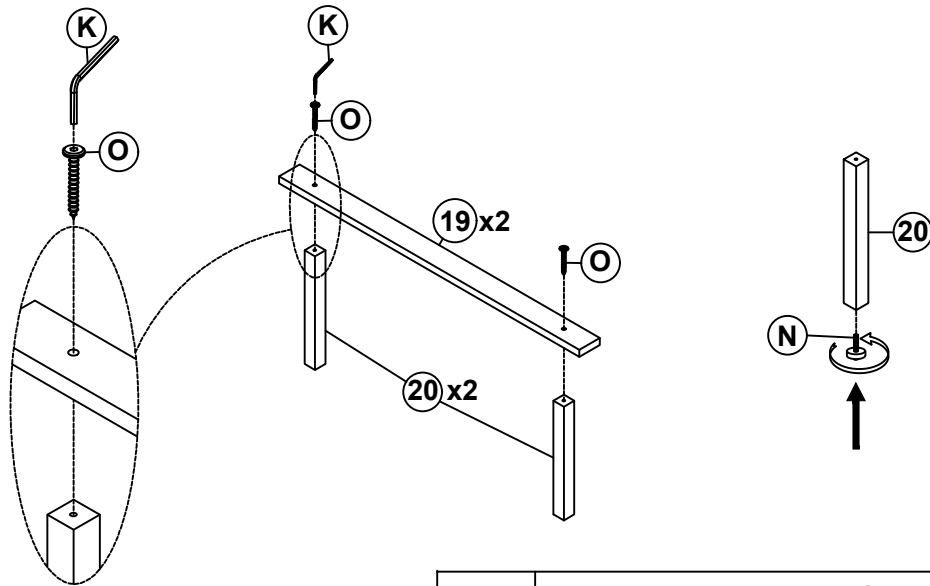
Step 8






A	Ø4x38		6PCS	L	Ø8x9		6PCS
----------	-------	---	------	----------	------	---	------

ASSEMBLY INSTRUCTIONS

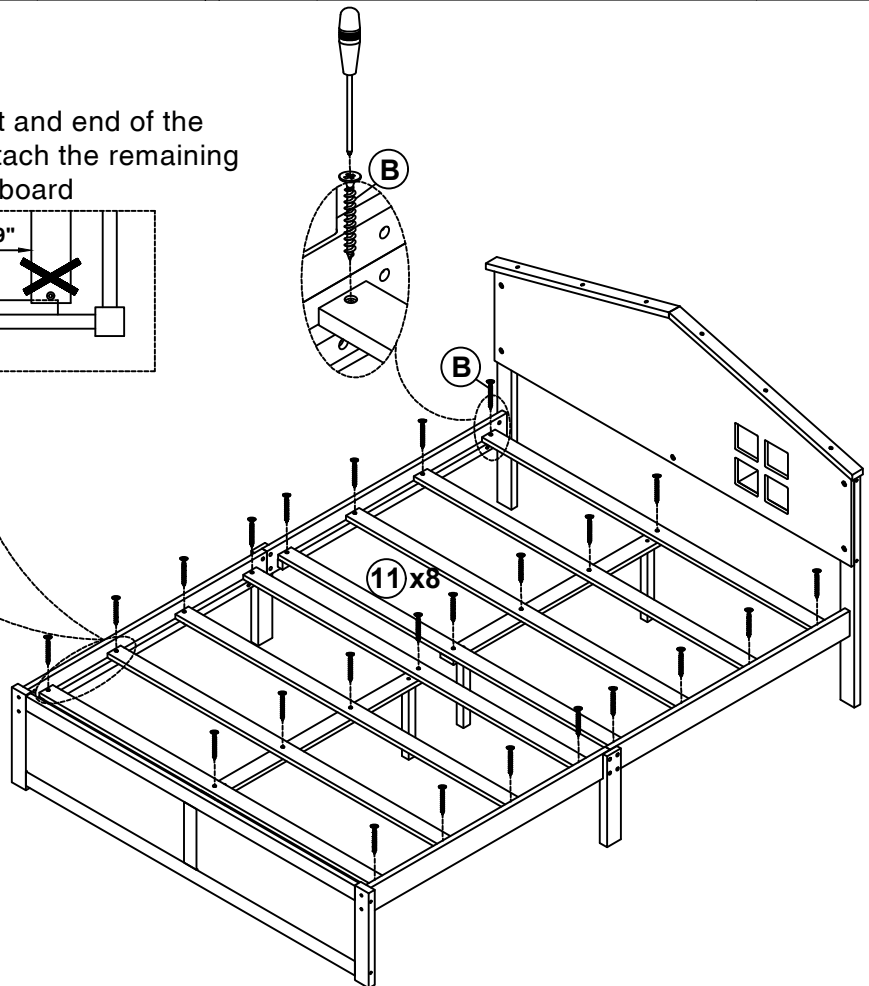
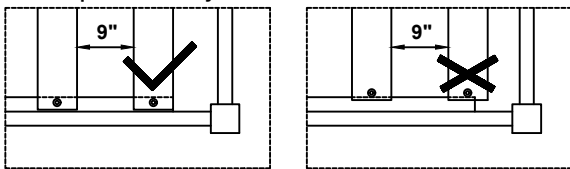
Step 9




N	1/4x25		4PCS
O	6.5x50		4PCS
K	4x58		1PC

Step 10

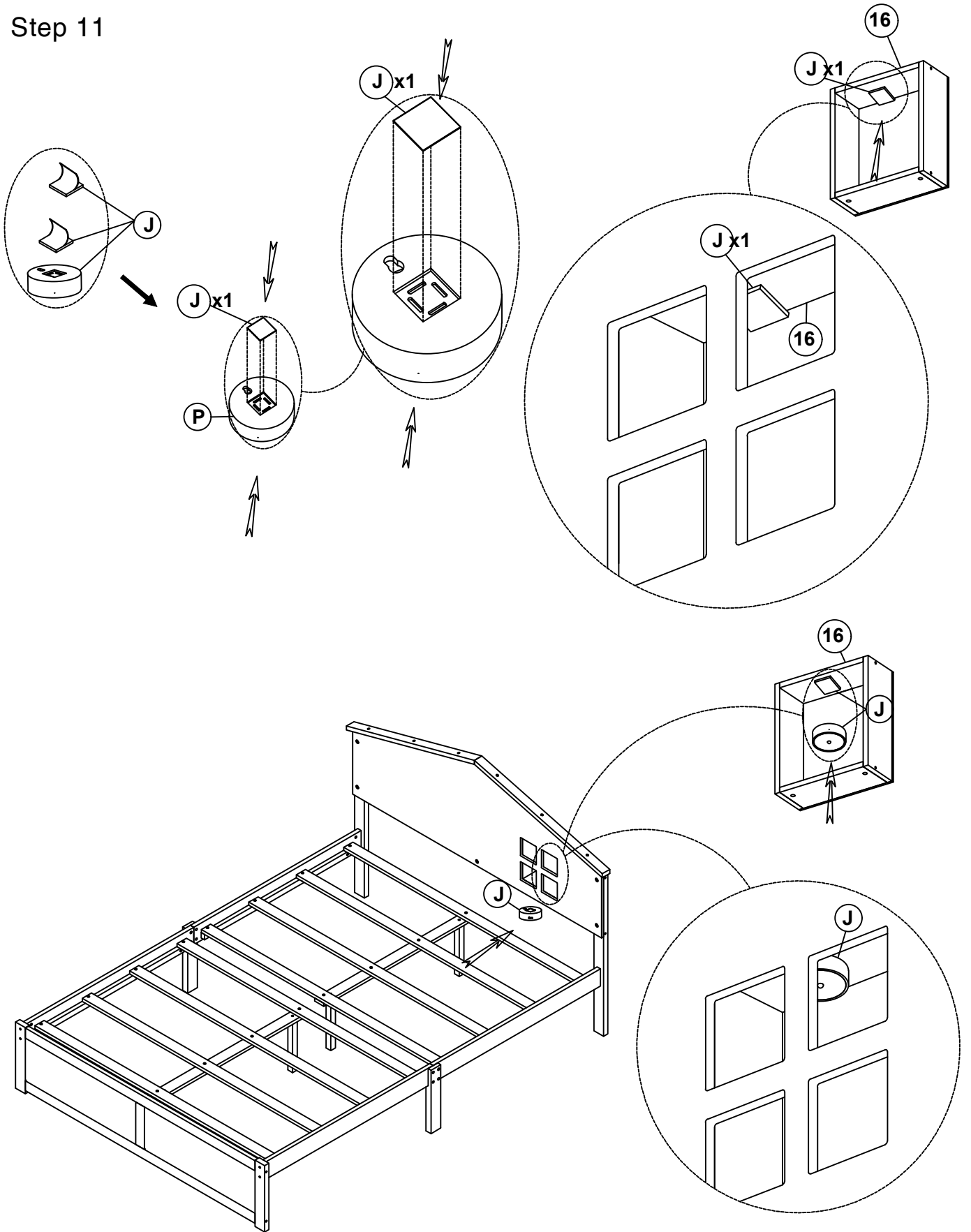
First attach 2pcs part 11 to the front and end of the frame between headboard. Then attach the remaining part 11 equidistantly between headboard



B	Ø4x30		24PCS
----------	-------	---	-------

ASSEMBLY INSTRUCTIONS

Step 11



J



1PC