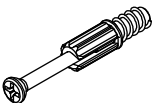
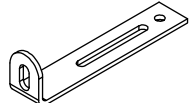

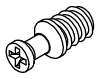

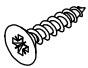
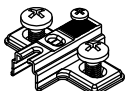

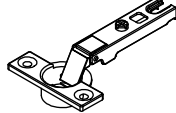
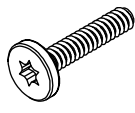
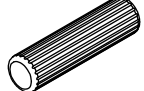


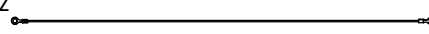
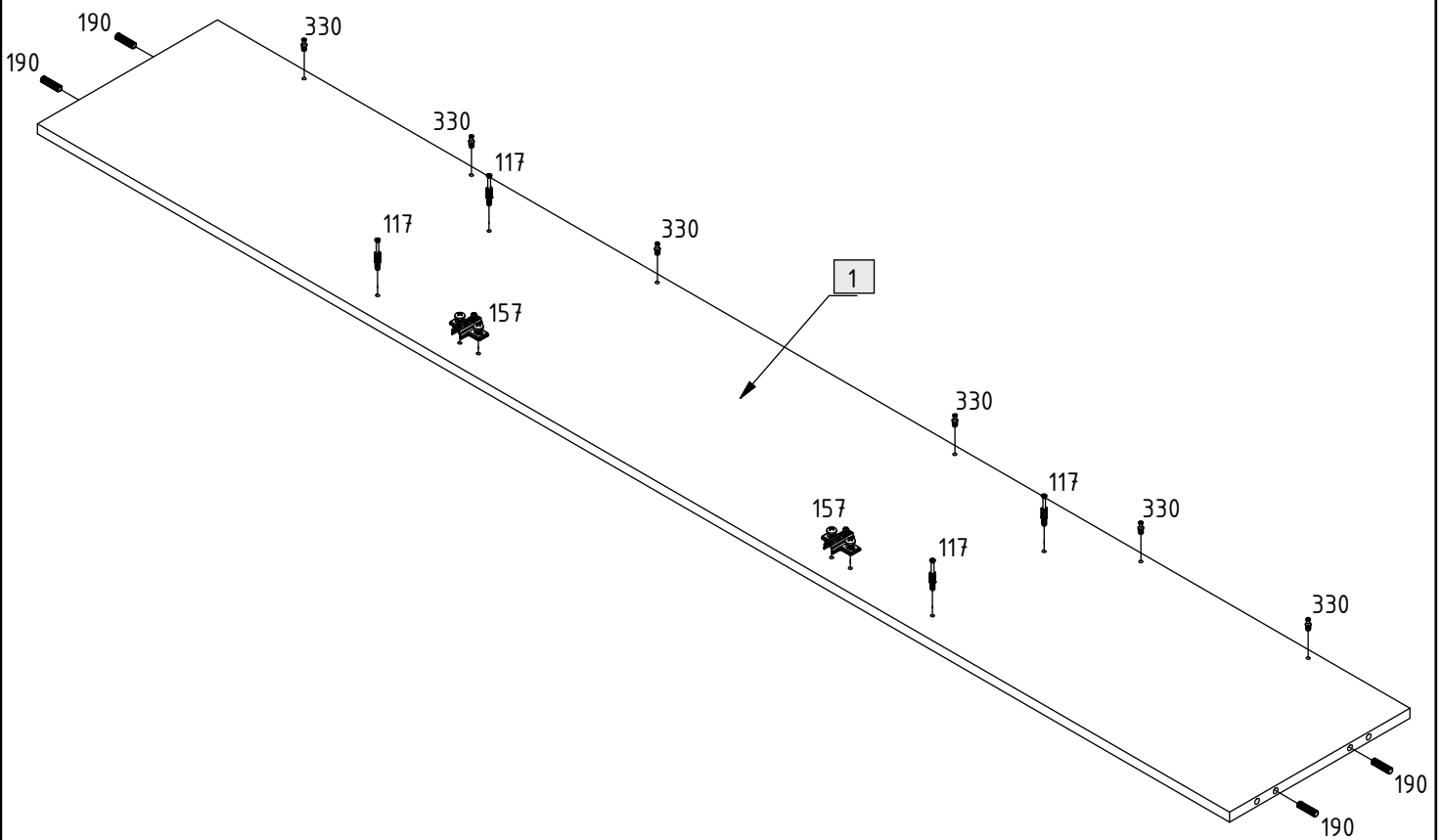
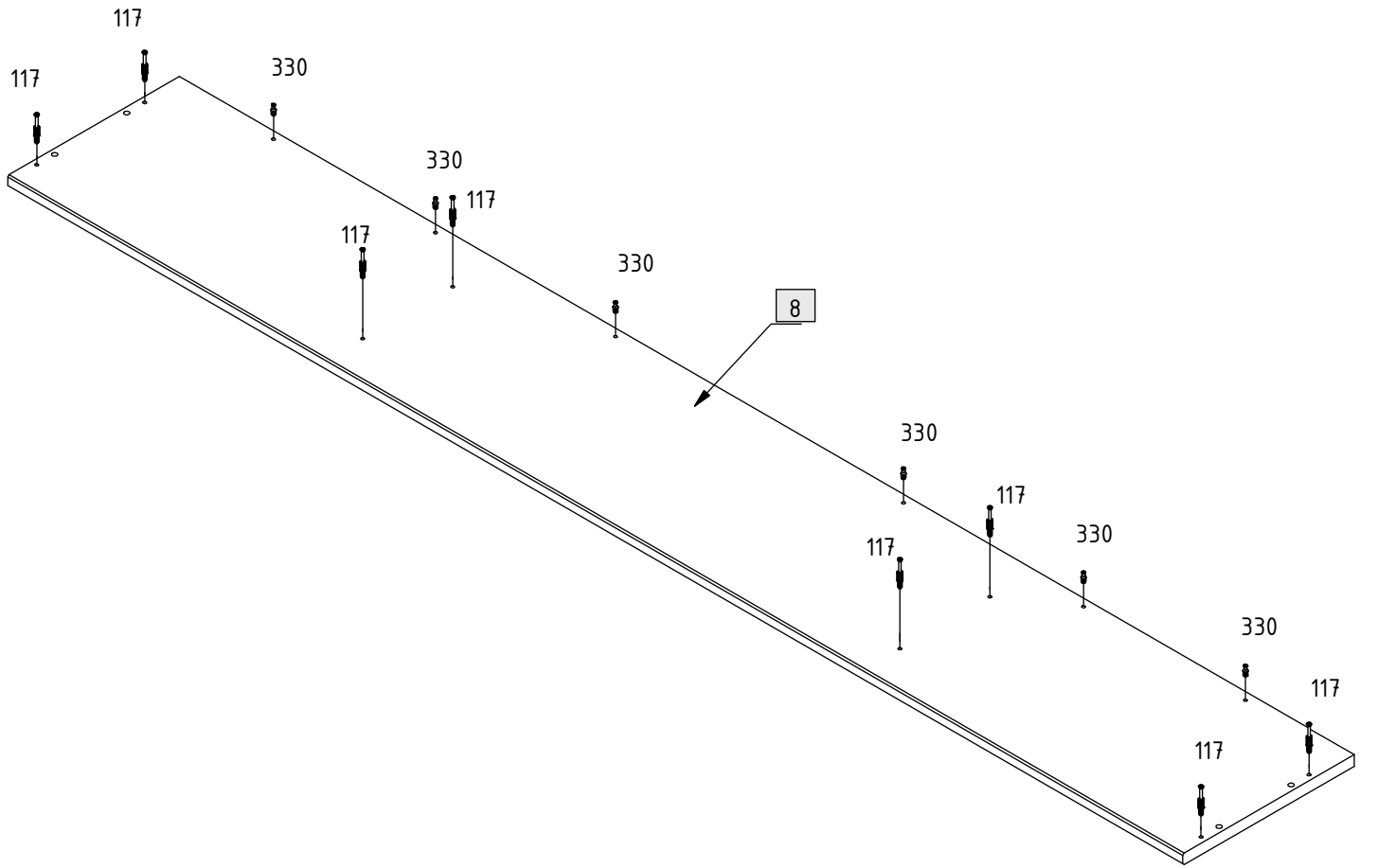
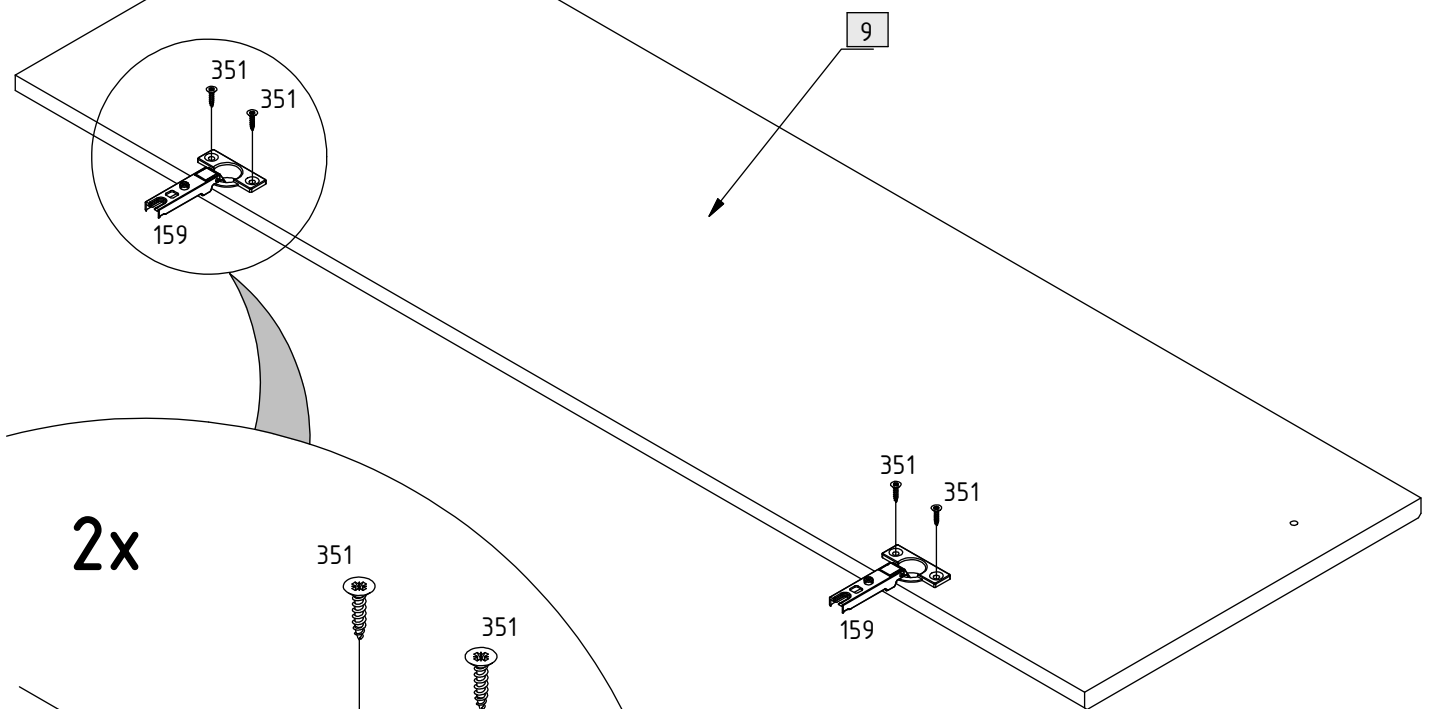
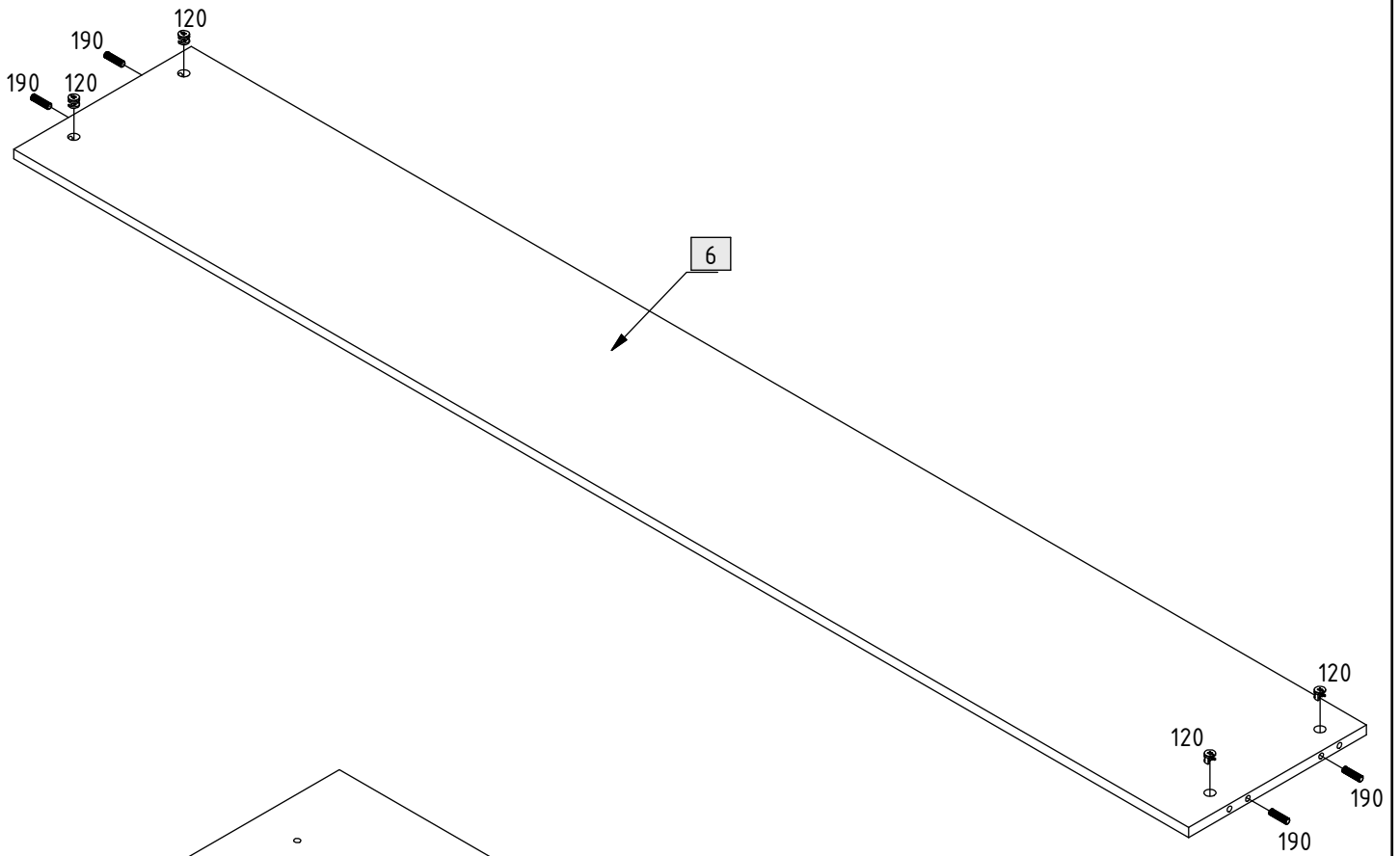
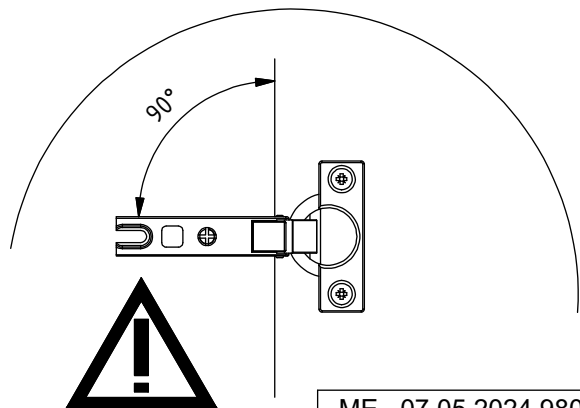
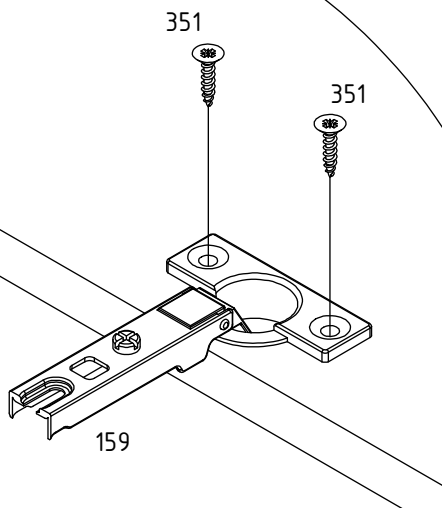


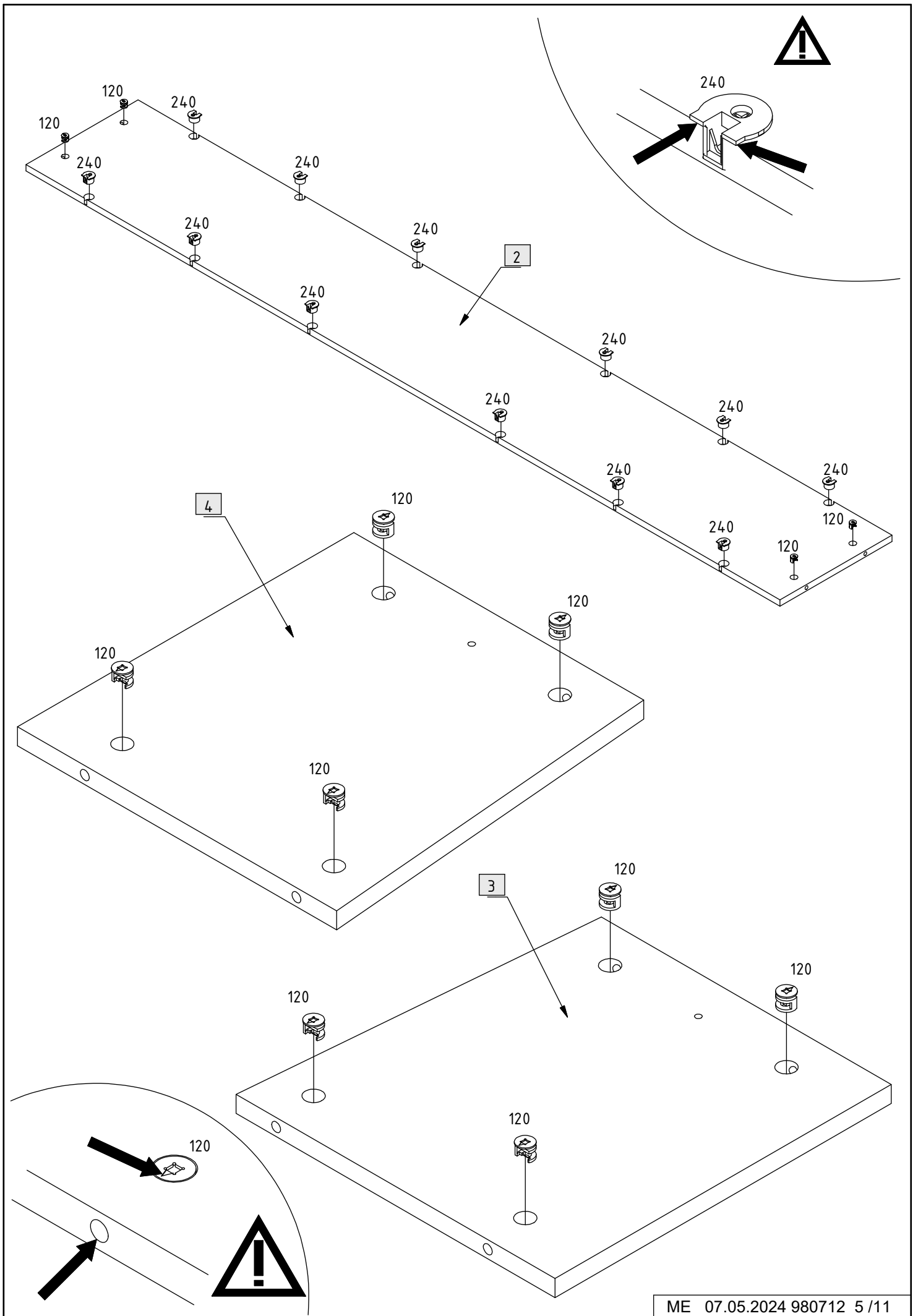
117	24		264	2	
120	20	 H = 11mm	330	12	
121	4	 H = 13mm	351	4	 3,5 x 15mm
157	2		382	2	 4 x 15mm
159	2		435	4	 M4 x 20mm
190	12	 Ø 8 x 30mm	493	4	
240	12		884	2	

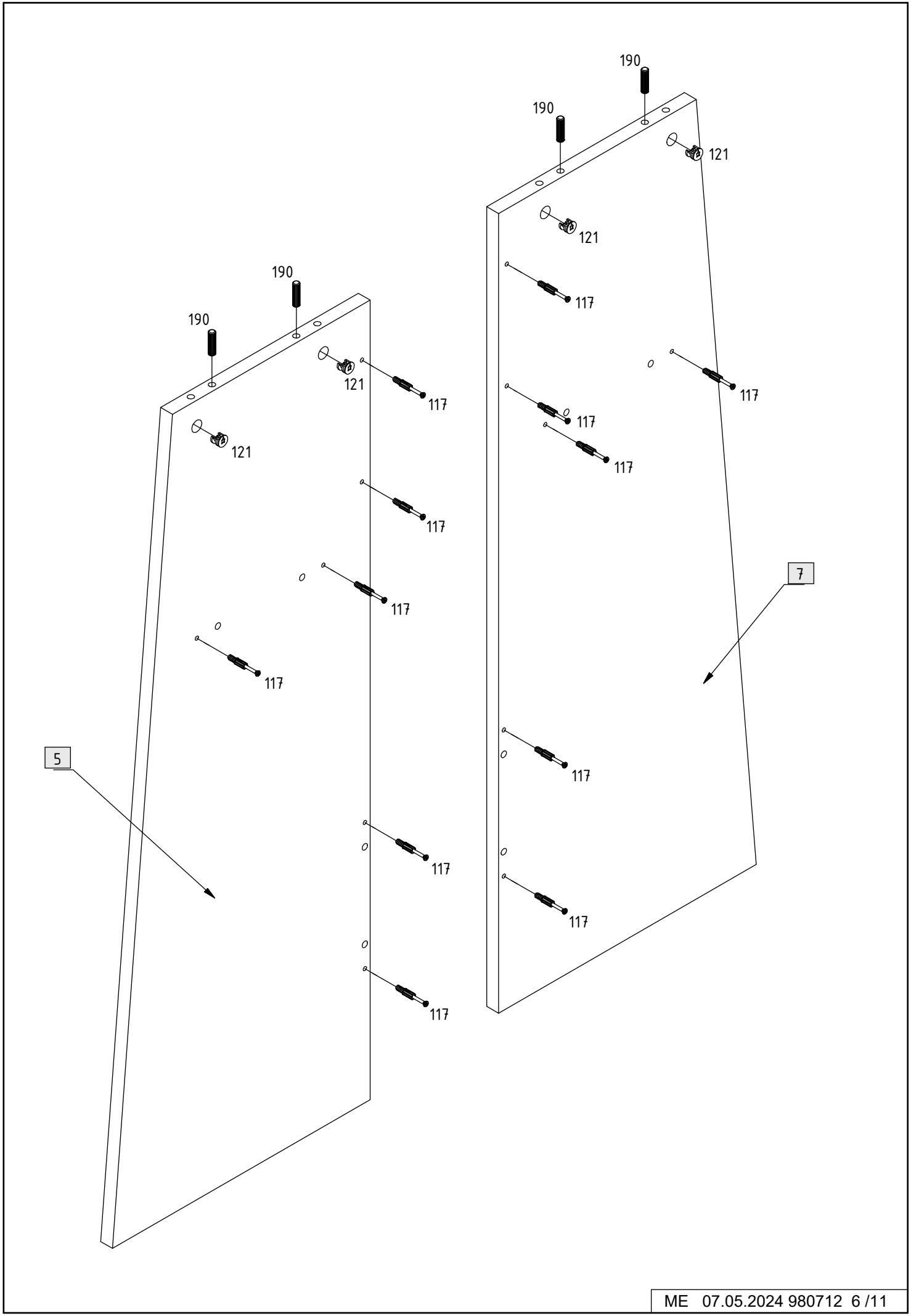


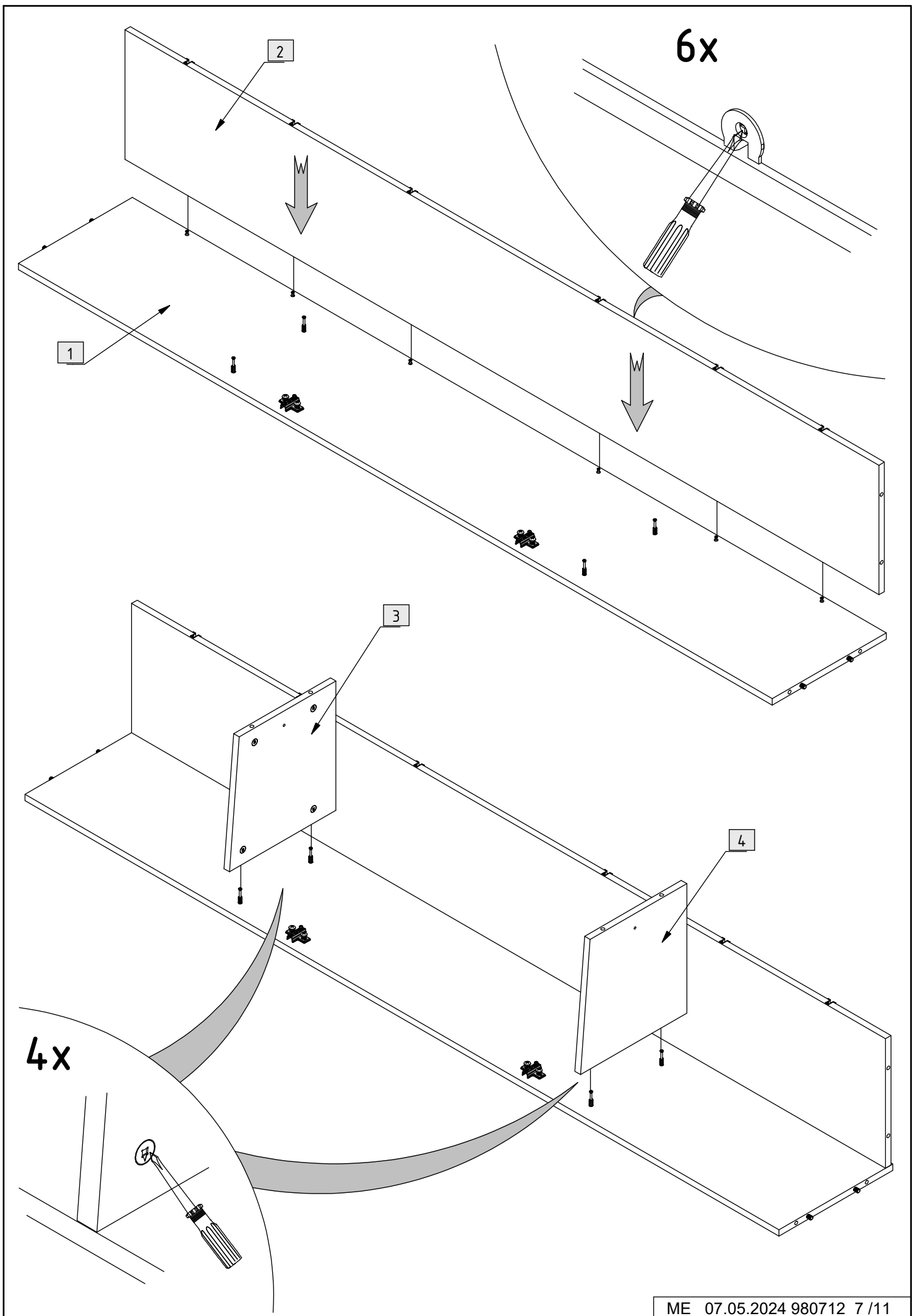


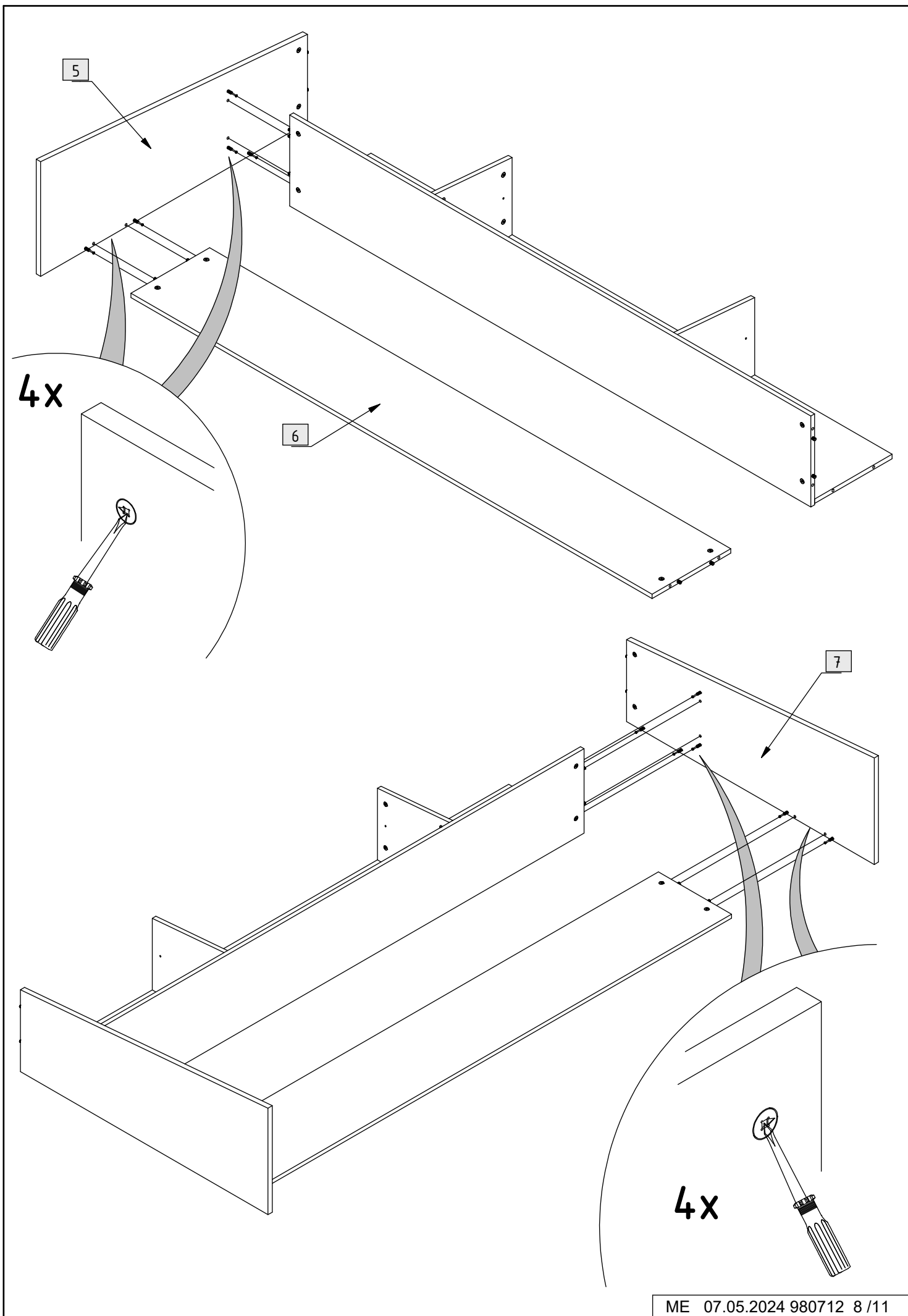
2x



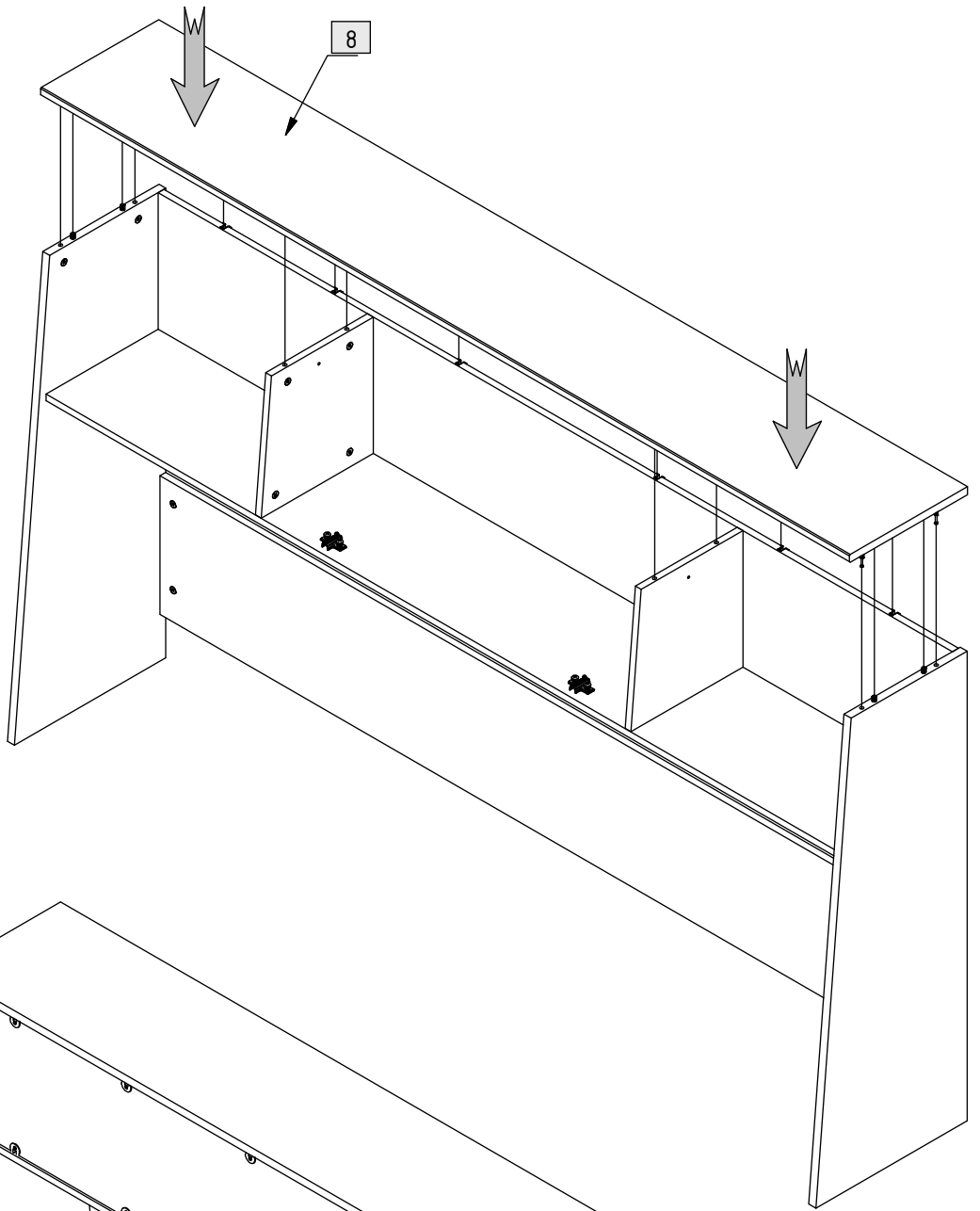
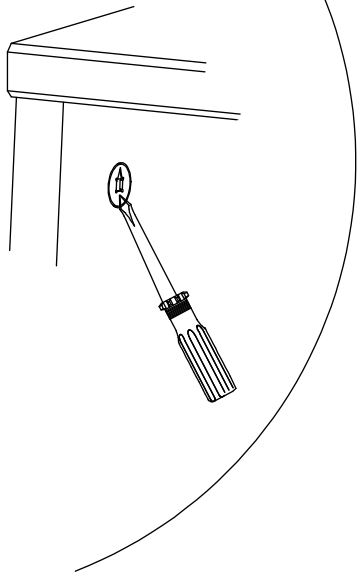




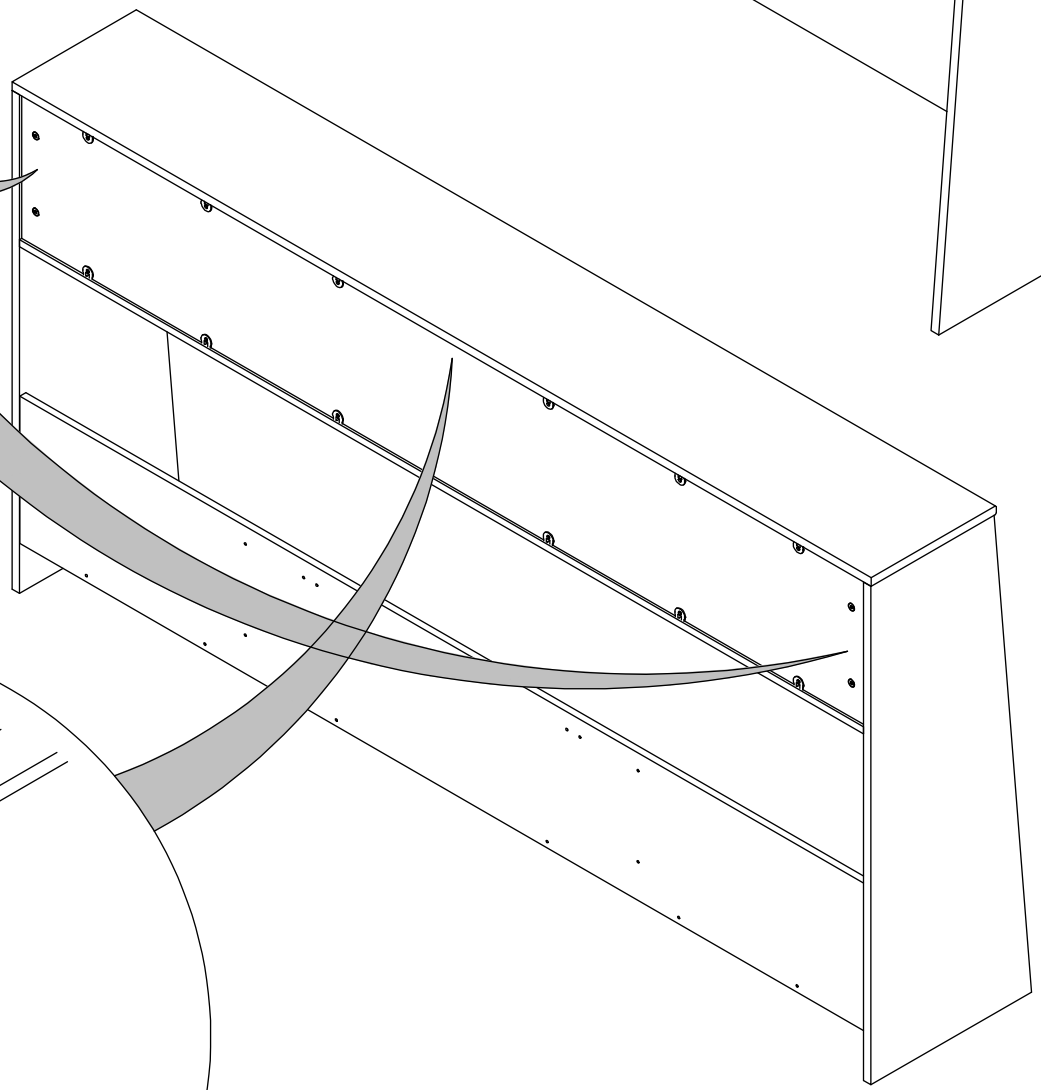
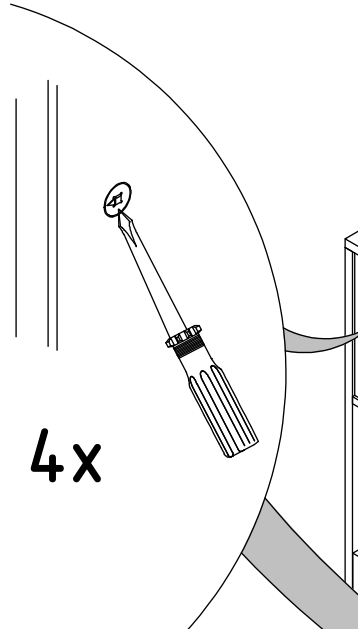




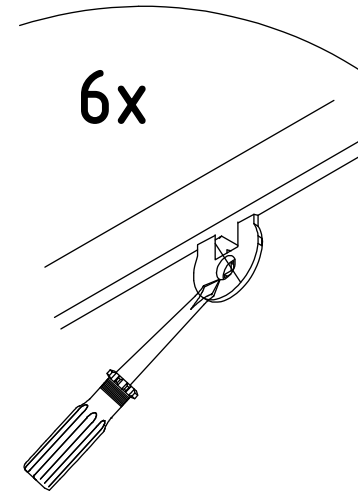
8x



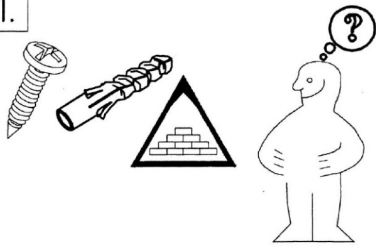
4x



6x



1.



2.

