

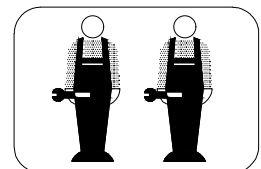
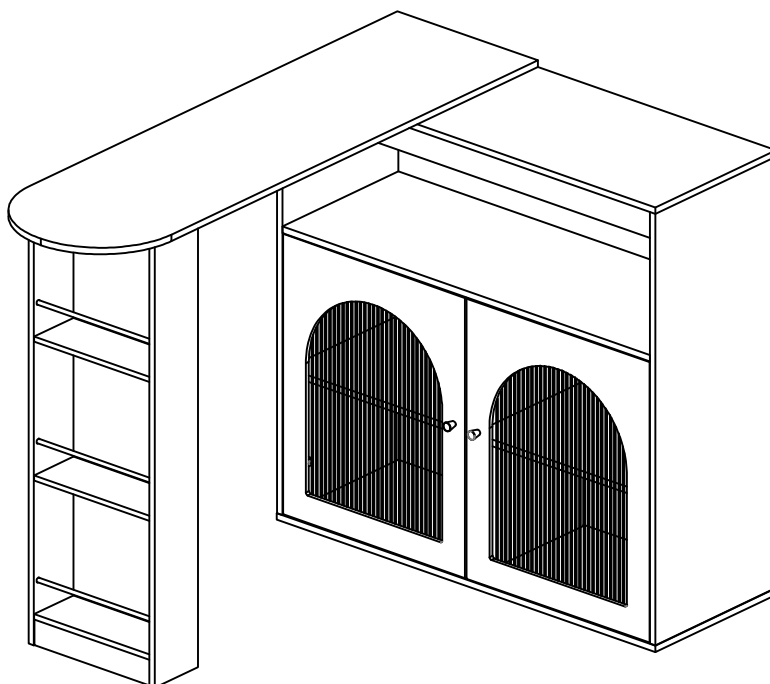
# ASSEMBLY INSTRUCTIONS MONTAGEANLEITUNGEN

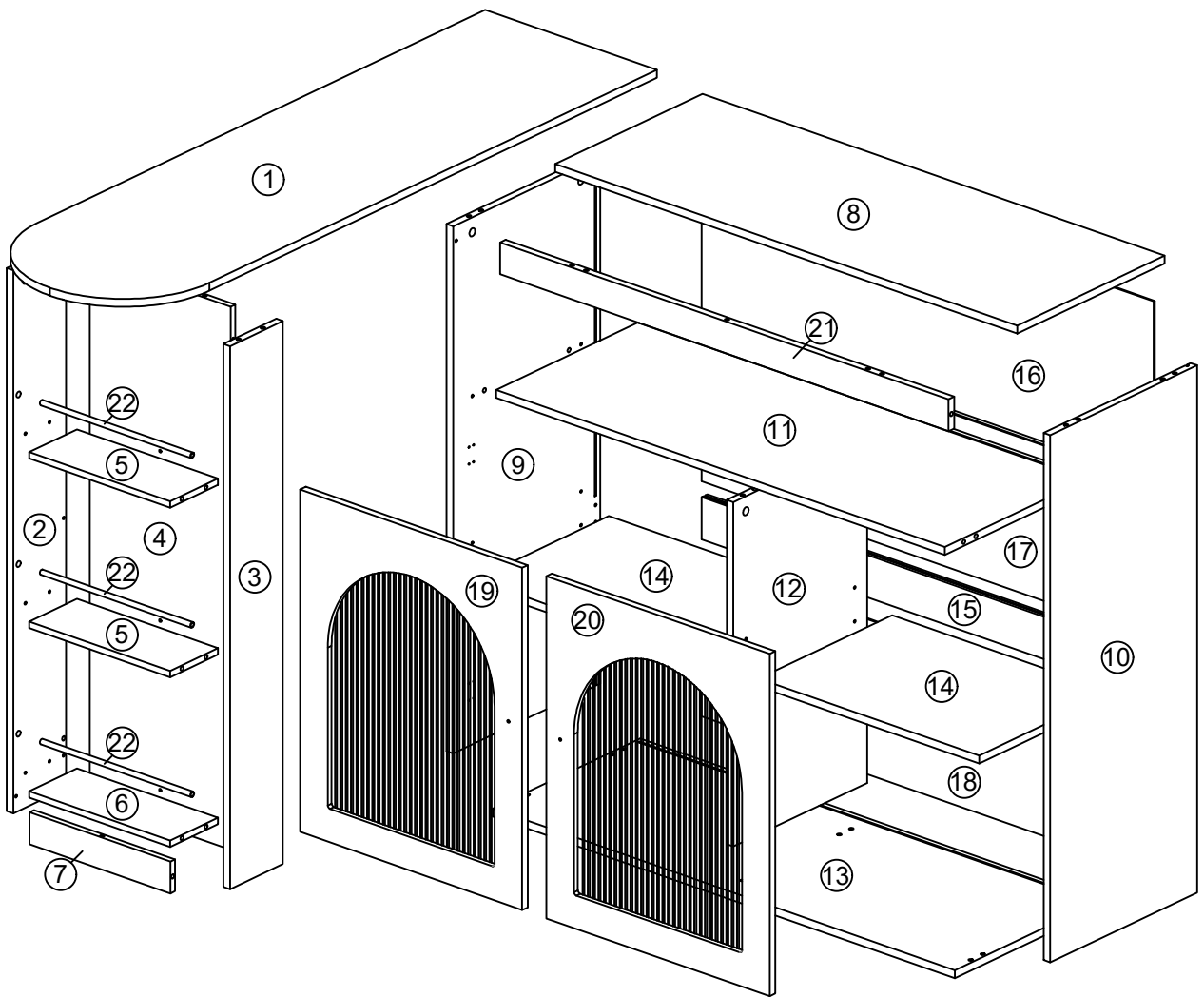
WF311485/WF311486

Our product will be delivered to you in 2 packages. The delivery times of these 2 packages may differ, please be patient and thank you for your understanding.

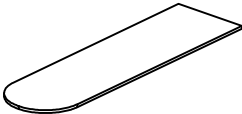
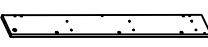
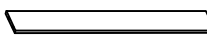
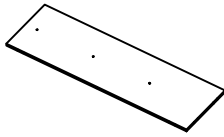
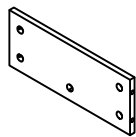
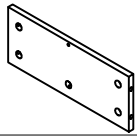
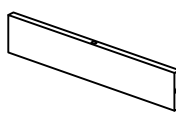

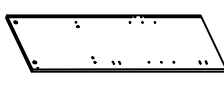
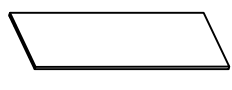
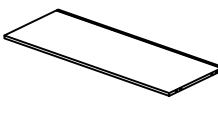
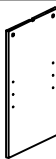
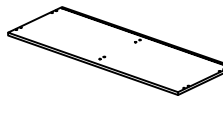
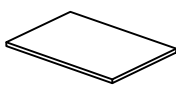
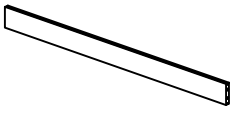
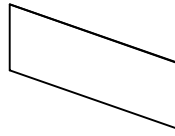
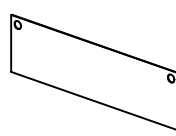
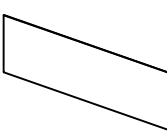

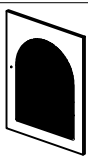
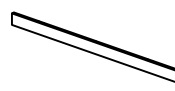
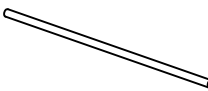
Unser Produkt wird Ihnen in 2 Paketen geliefert. Die Lieferzeiten dieser 2 Pakete können abweichen, bitte haben Sie etwas Geduld und vielen Dank für Ihr Verständnis.

Nos produits vous seront livrés en deux colis. Les délais de livraison peuvent être différents pour les deux colis, veuillez patienter et vous remercier de votre compréhension.

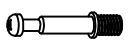




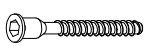

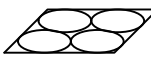
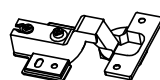
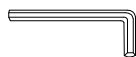

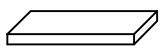









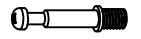
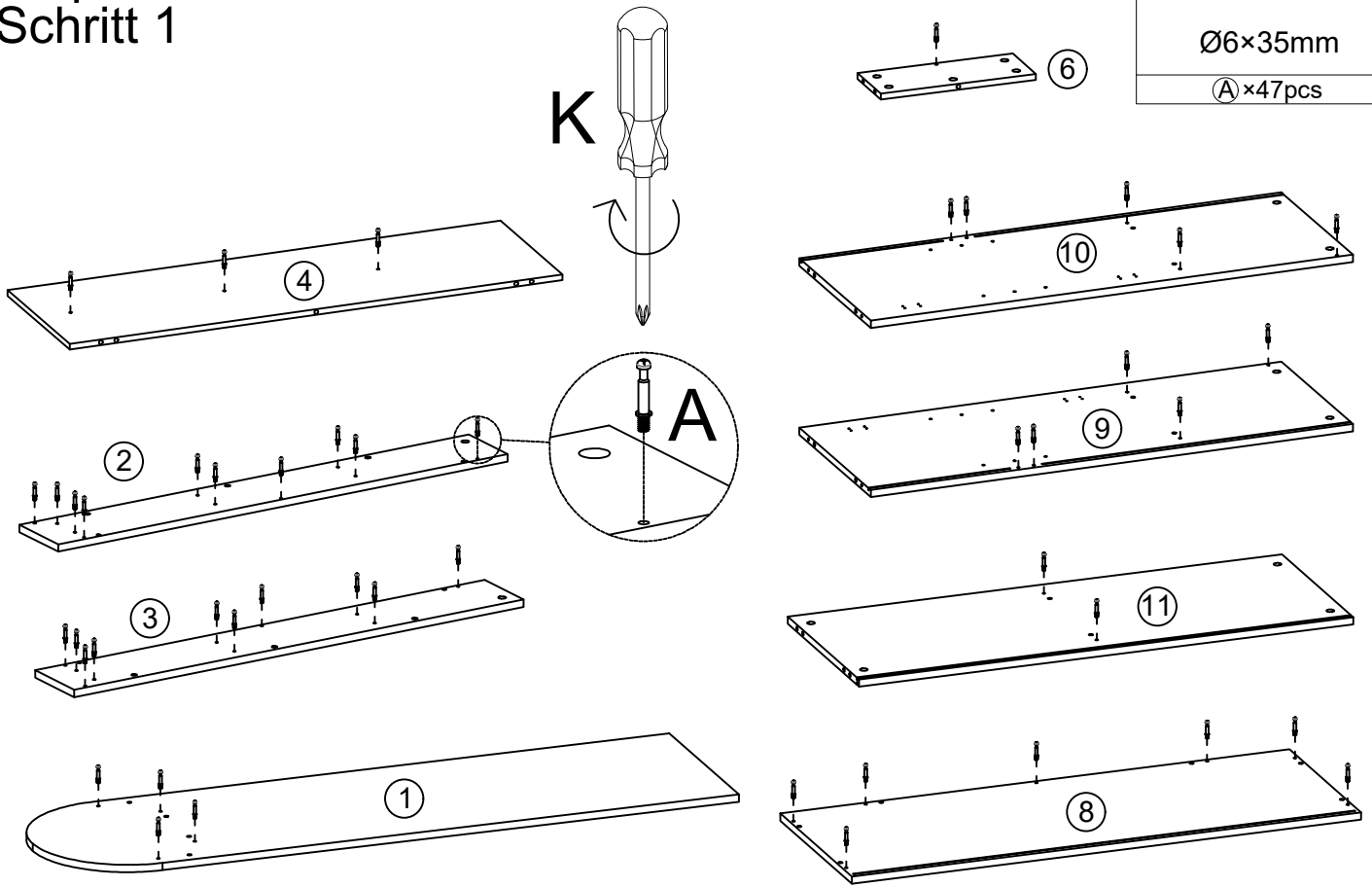
## Part List Stückliste

|   |   |  |  |  |
|---|---|--|--|--|
|    |    |   |    |   |
| ① ×1pc  | ② ×1pc  | ③ ×1pc   | ④ ×1pc   | ⑤ ×2pcs  |
|    |    |   |    |   |
| ⑥ ×1pc  | ⑦ ×1pc  | ⑧ ×1pc   | ⑨ ×1pc   | ⑩ ×1pc   |
|    |    |   |    |   |
| ⑪ ×1pc  | ⑫ ×1pc  | ⑬ ×1pc   | ⑭ ×2pcs  | ⑮ ×1pc   |
|   |   |  |  |  |
| ⑯ ×1pc  | ⑰ ×1pc  | ⑱ ×1pc   | ⑲ ×1pc   | ⑳ ×1pc   |
|  |  |  |  |  |
| ㉑ ×1pc  | ㉒ ×3pcs   |  |  |  |

## Hardware List Hardwareliste

|   |   |   |   |   |
|---|---|---|---|---|
|  |  |  |   |  |
| Ø6×35mm   | Ø15×12mm  | Ø15×10mm  | Ø8×30mm   |   |
| Ⓐ ×47pcs  | Ⓑ ×21pcs  | Ⓒ ×26pcs  | Ⓓ ×26pcs  | Ⓔ ×2pcs   |
|  |  |  |   |  |
| Ø7×40mm   | 4×20mm  |   |   |   |
| Ⓕ ×6pcs   | Ⓖ ×2pcs   | Ⓗ ×20pcs  | Ⓘ ×4pcs   | Ⓙ ×1pc  |
|  |  |  |  |  |
|   | 50×13×5mm   |   |   | 3.5×14mm  |
| Ⓚ ×1pc  | Ⓛ ×8pcs   | Ⓜ ×1pc  | Ⓝ ×2pcs   | Ⓞ ×30pcs  |
|  |  |   |   |   |
| Ø5×14mm   | 14×14×9mm   |   |   |   |
| Ⓟ ×8pcs   | Ⓠ ×6pcs   |   |   |   |

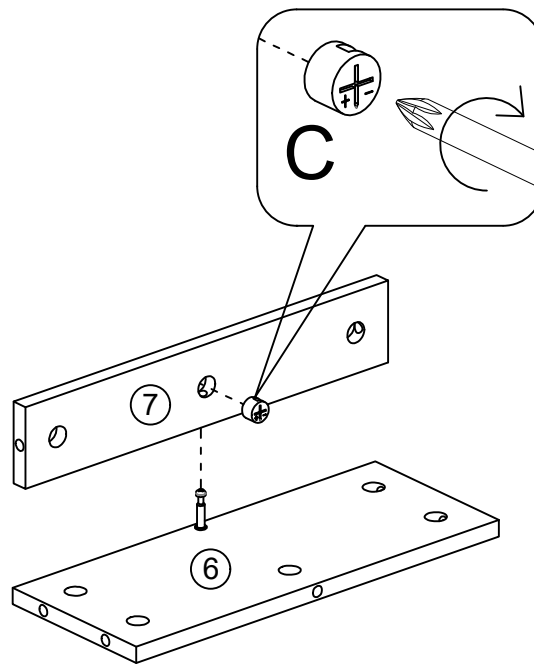
# Step 1 Schritt 1



Ø6×35mm

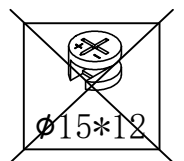
A ×47pcs

# Step 2 Schritt 2



Ø15×10mm

C ×1pc

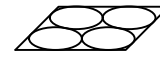


~~Ø15×12~~



Ø15×10

# Step 3 Schritt 3

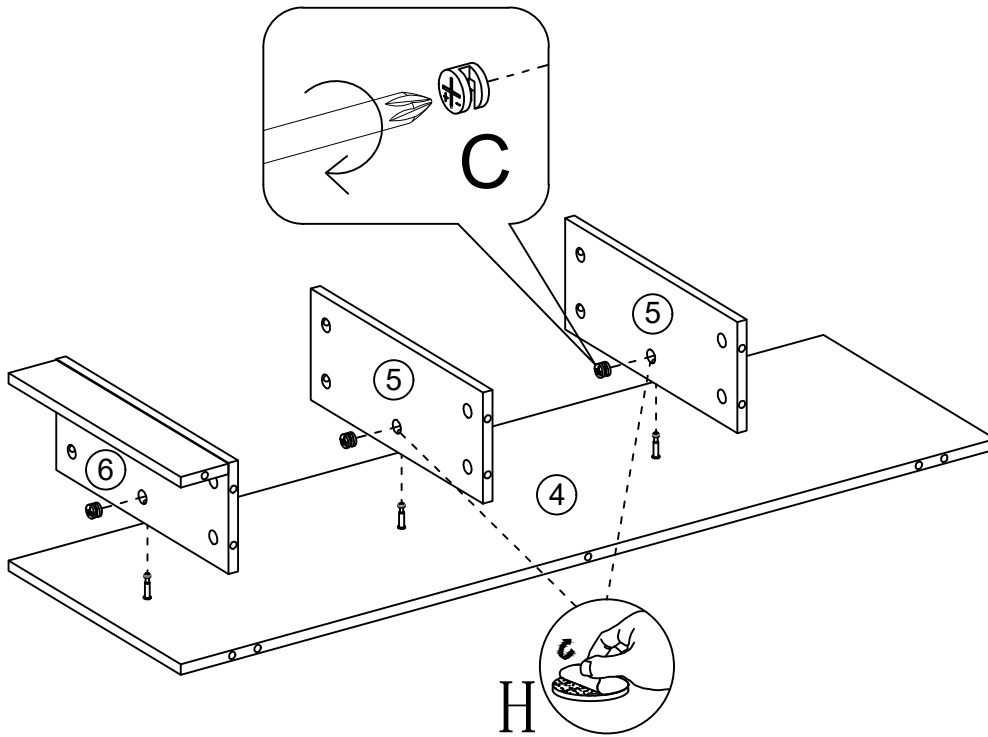


H×2pcs

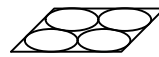


Ø15×10mm

C×3pcs



# Step 4 Schritt 4



H×4pcs



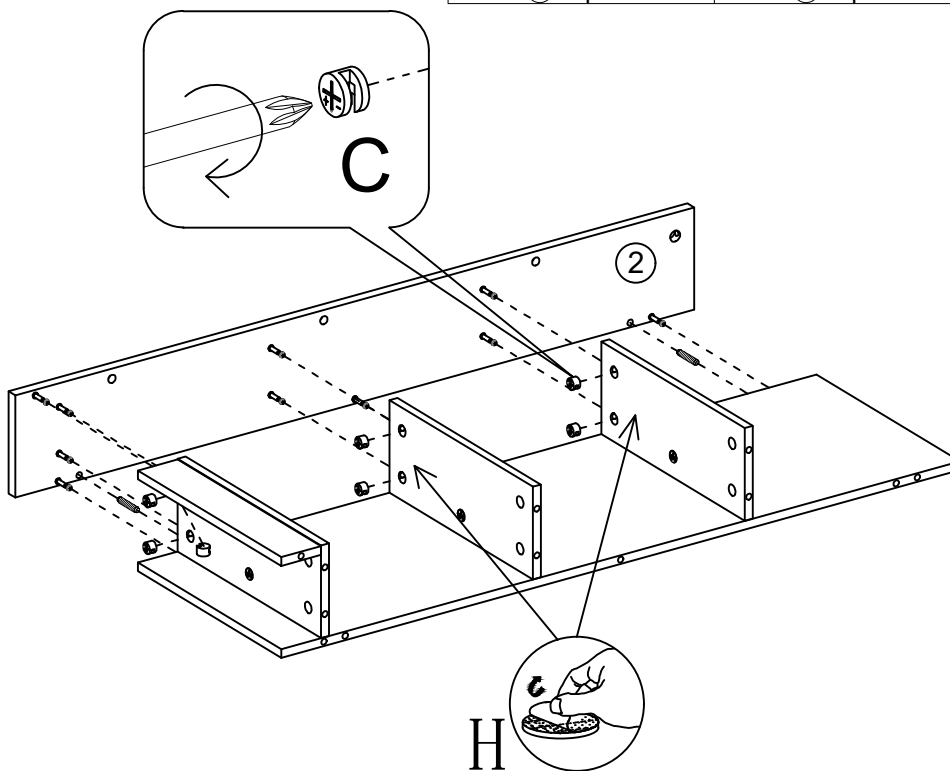
Ø8×30mm

D×2pcs

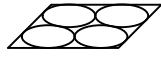




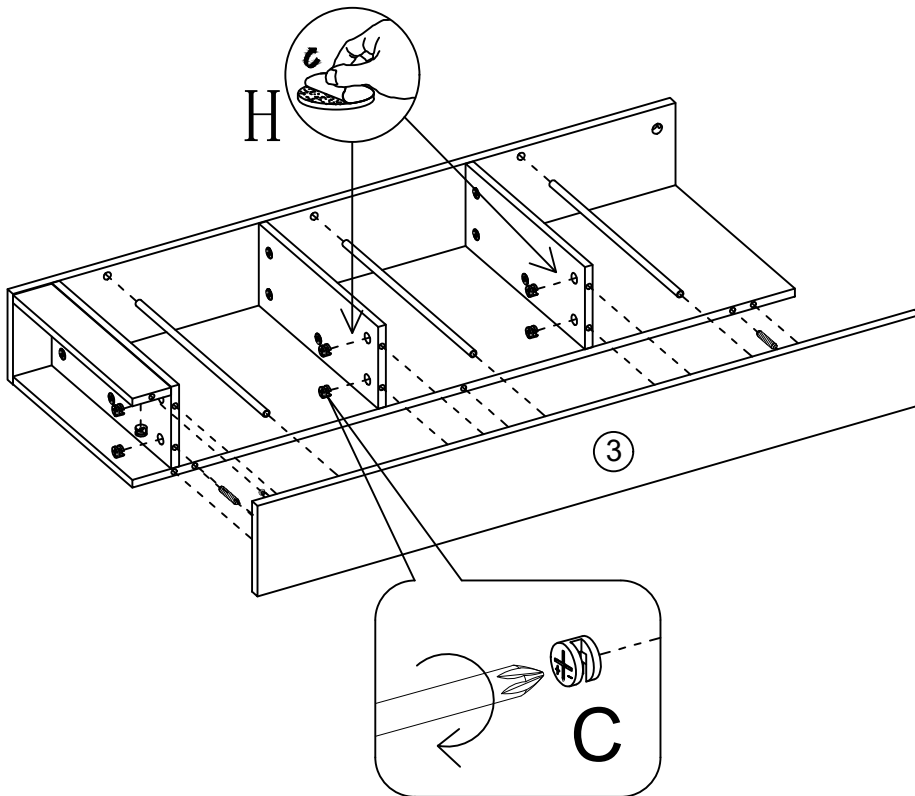
Ø15×10mm

C×7pcs

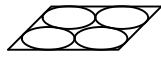




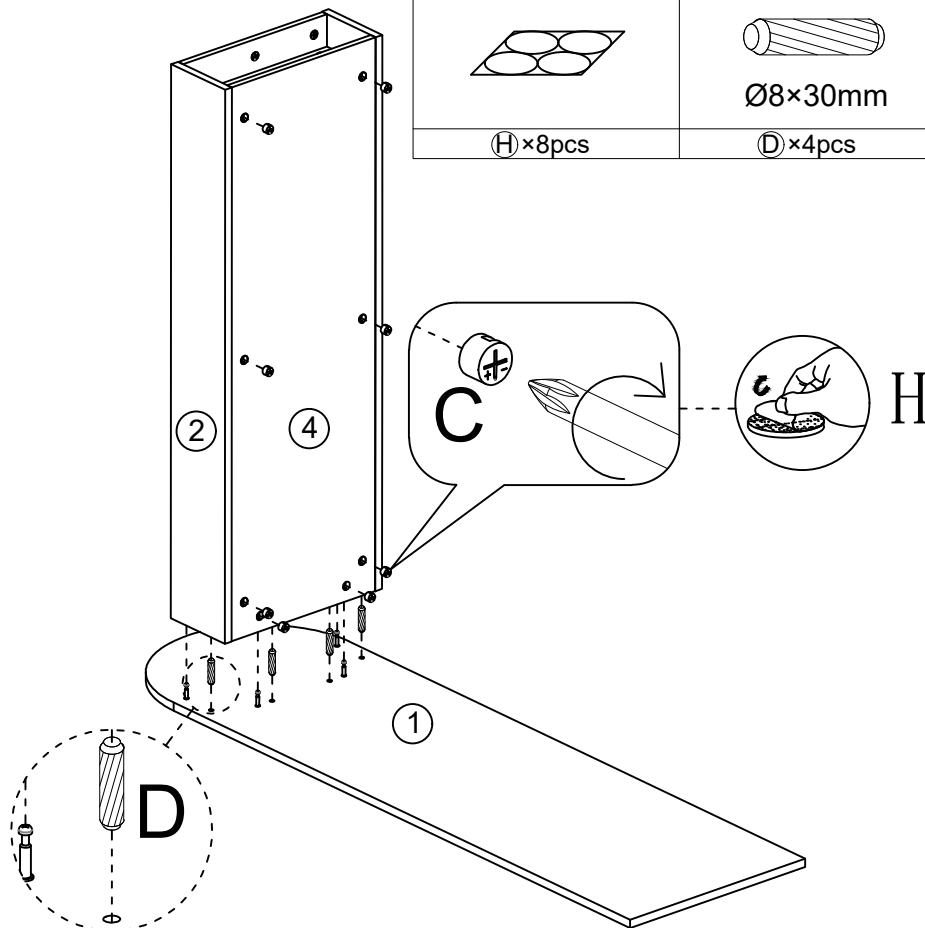
# Step 5 Schritt 5

|   |   |   |
|---|---|---|
|  |  |  |
| ∅8×30mm   | ∅8×30mm   | ∅15×10mm  |
| (H)×4pcs  | (D)×2pcs  | (C)×7pcs  |

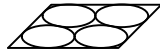
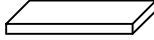



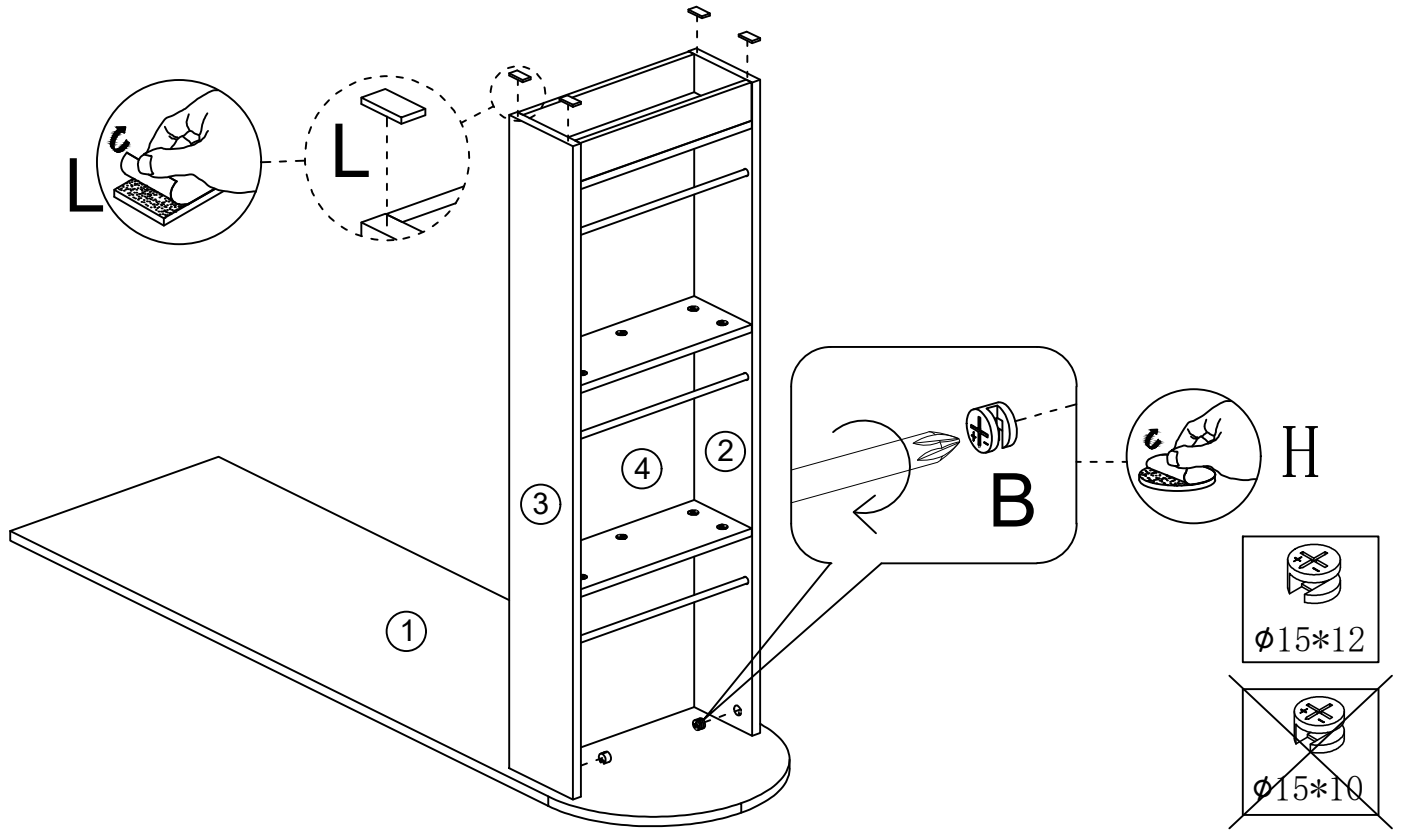
# Step 6 Schritt 6

|   |   |   |
|---|---|---|
|  |  |  |
| ∅8×30mm   | ∅8×30mm   | ∅15×10mm  |
| (H)×8pcs  | (D)×4pcs  | (C)×8pcs  |





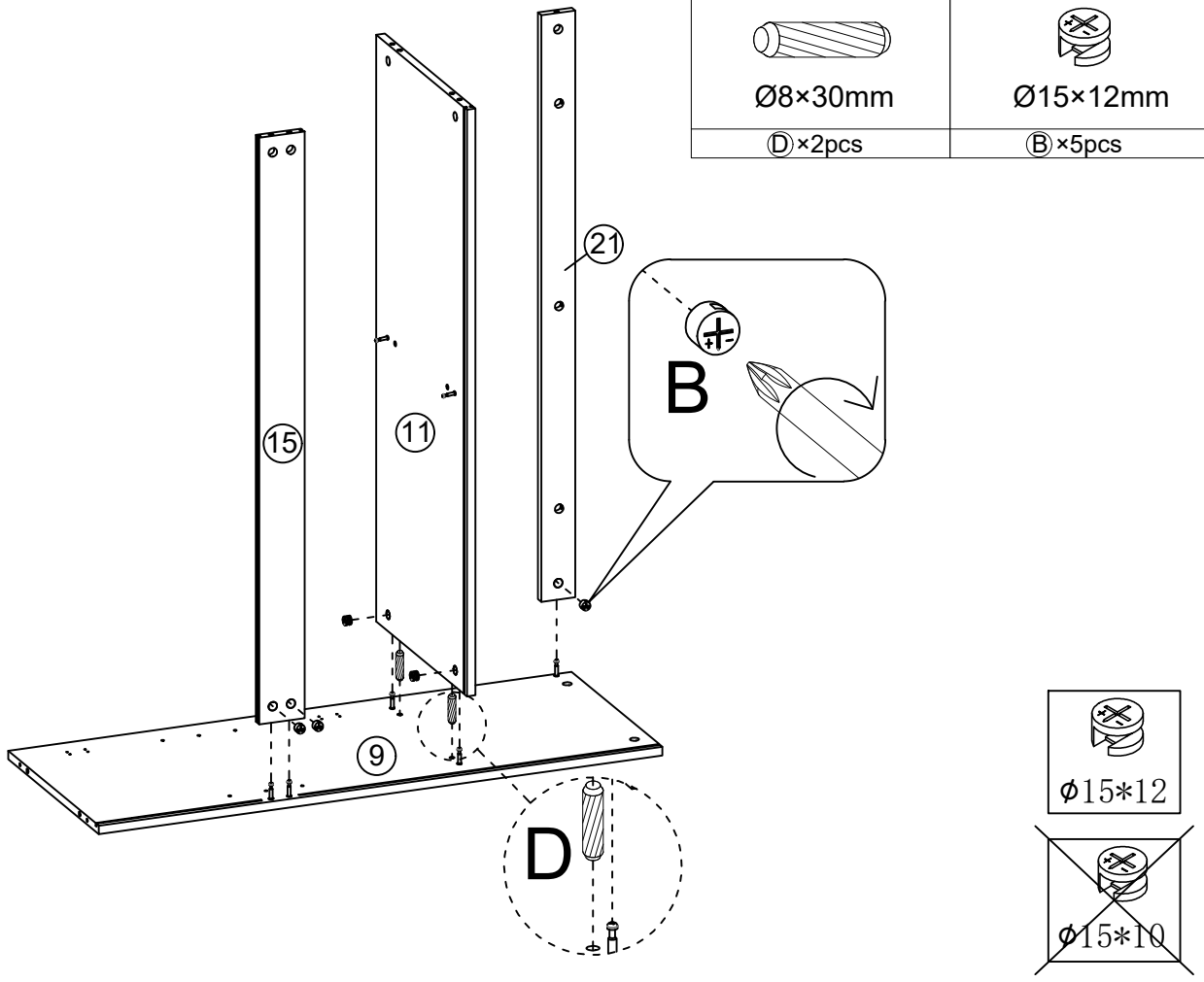
# Step 7 Schritt 7

|   |   |   |
|---|---|---|
|  |  |  |
| (H) × 2 pcs   | 50 × 13 × 5 mm<br>(L) × 4 pcs   | Ø15 × 12 mm<br>(B) × 2 pcs  |

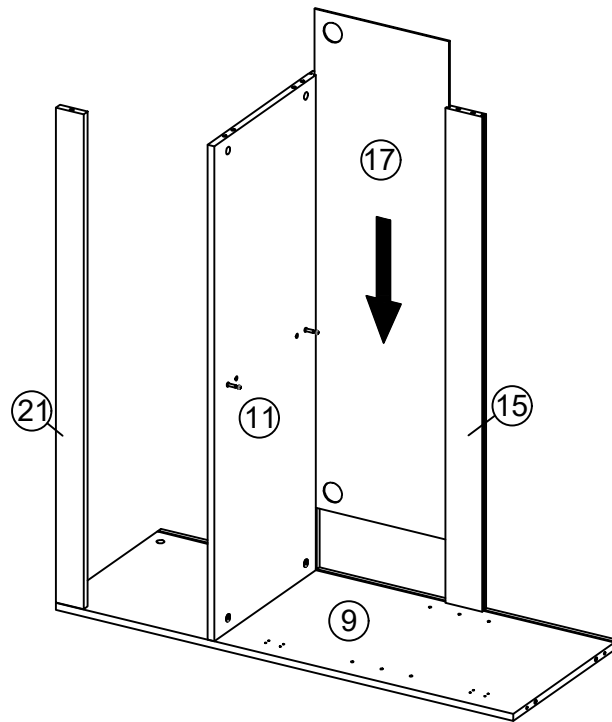


# Step 8 Schritt 8

|   |   |
|---|---|
|  |  |
| Ø8 × 30 mm<br>(D) × 2 pcs   | Ø15 × 12 mm<br>(B) × 5 pcs  |



Step 9  
Schritt 9



Step 10  
Schritt 10



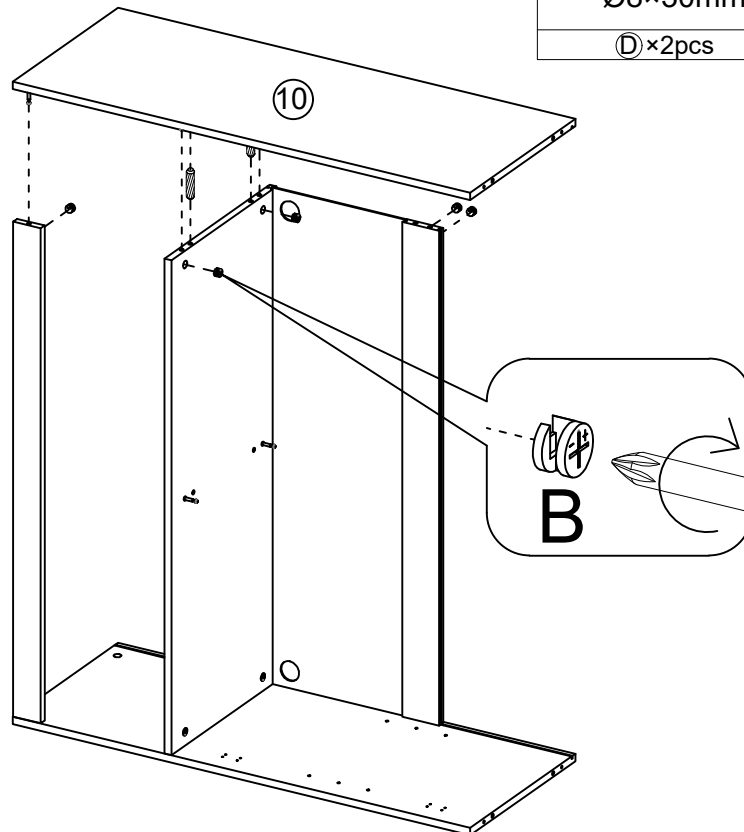
Ø8×30mm

ⓓ×2pcs

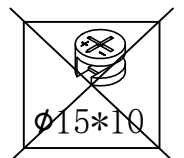


Ø15×12mm

ⓑ×5pcs



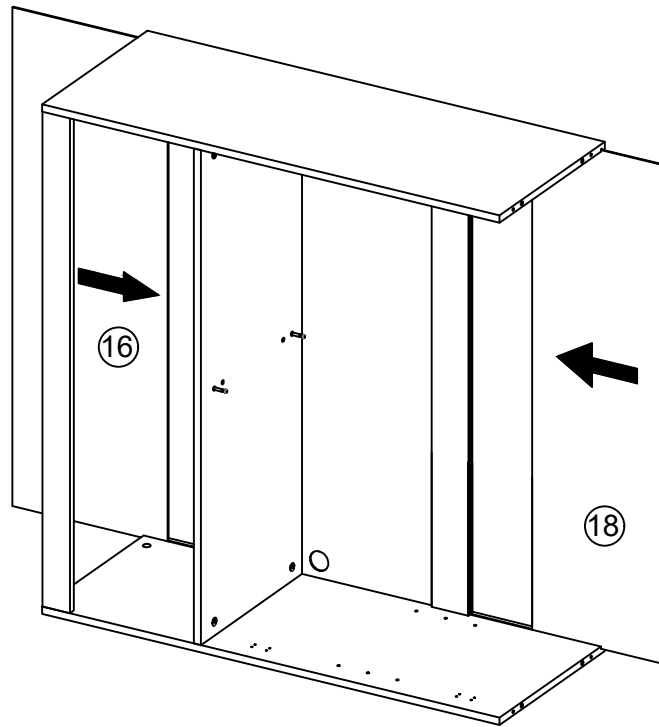
Ø15×12



Ø15×10



Step 11  
Schritt 11



Step 12  
Schritt 12



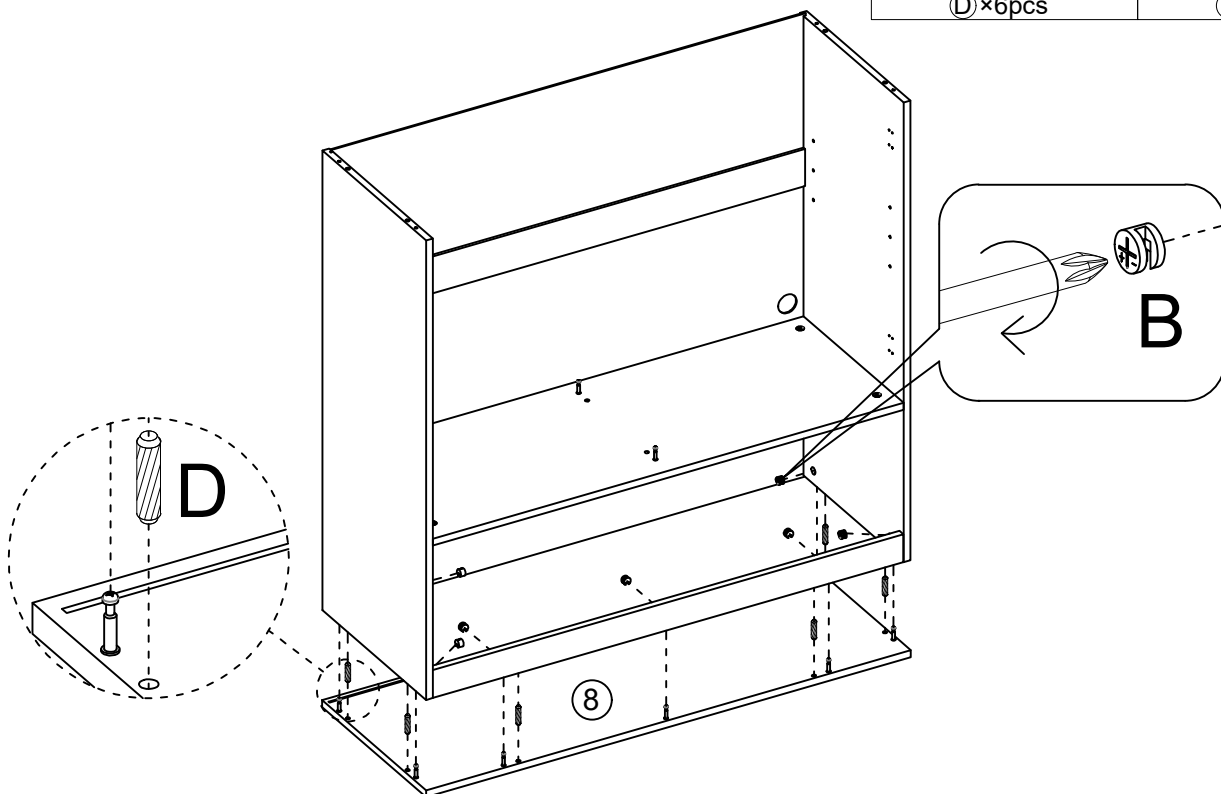
Ø8×30mm

ⓓ×6pcs

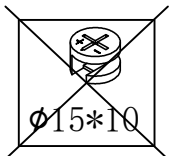


Ø15×12mm

ⓑ×7pcs



Ø15\*12



Ø15\*10

Step 13  
Schritt 13



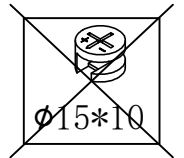
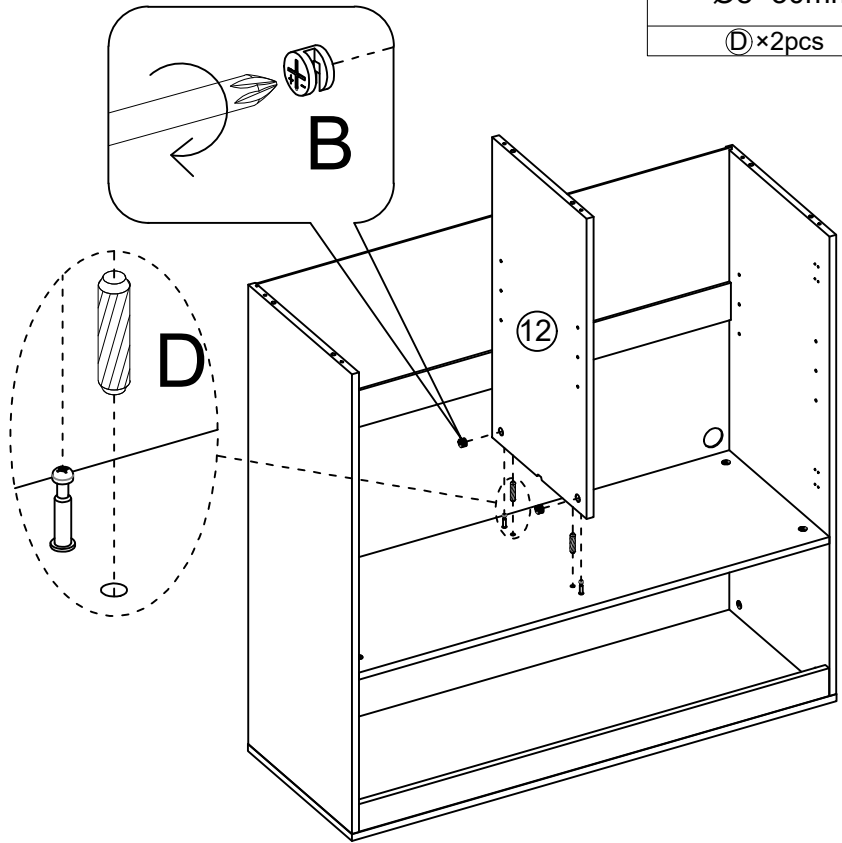
Ø8×30mm

ⓓ×2pcs

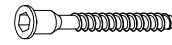


Ø15×12mm

ⓑ×2pcs



Step 14  
Schritt 14



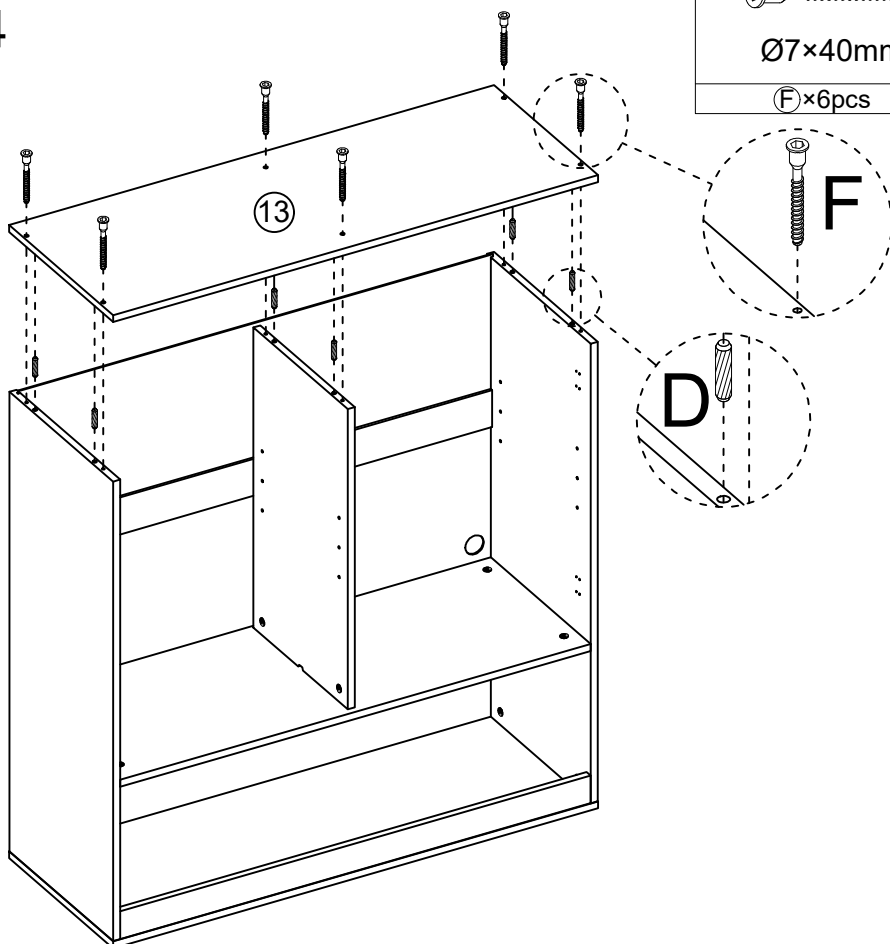
Ø7×40mm

ⓕ×6pcs

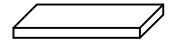


Ø8×30mm

ⓓ×6pcs

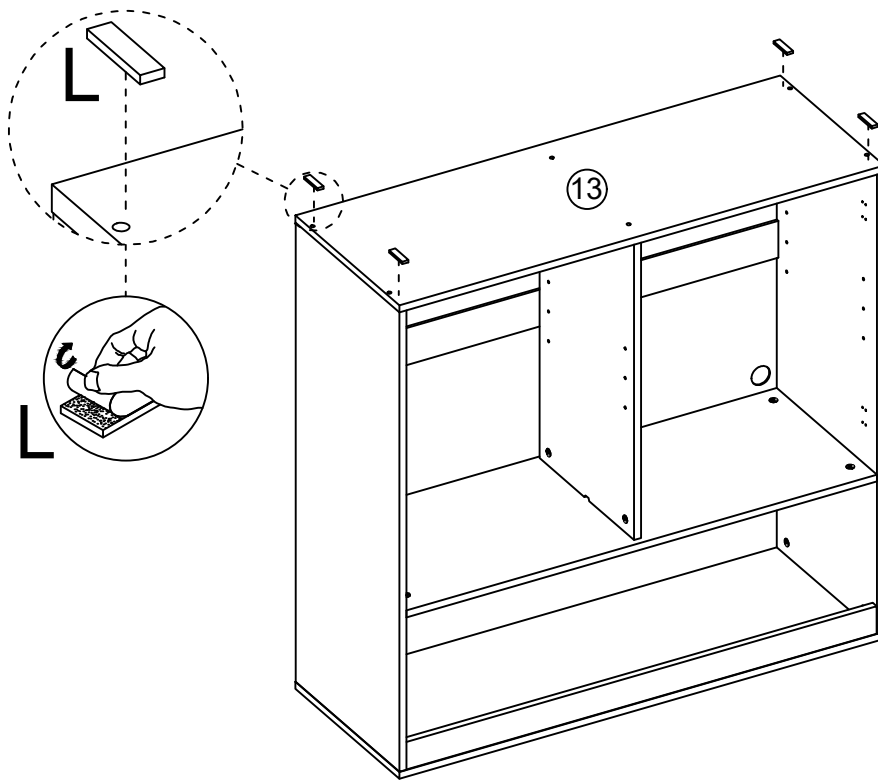


Step 15  
Schritt 15

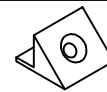


50×13×5mm

Ⓛ×4pcs



Step 16  
Schritt 16



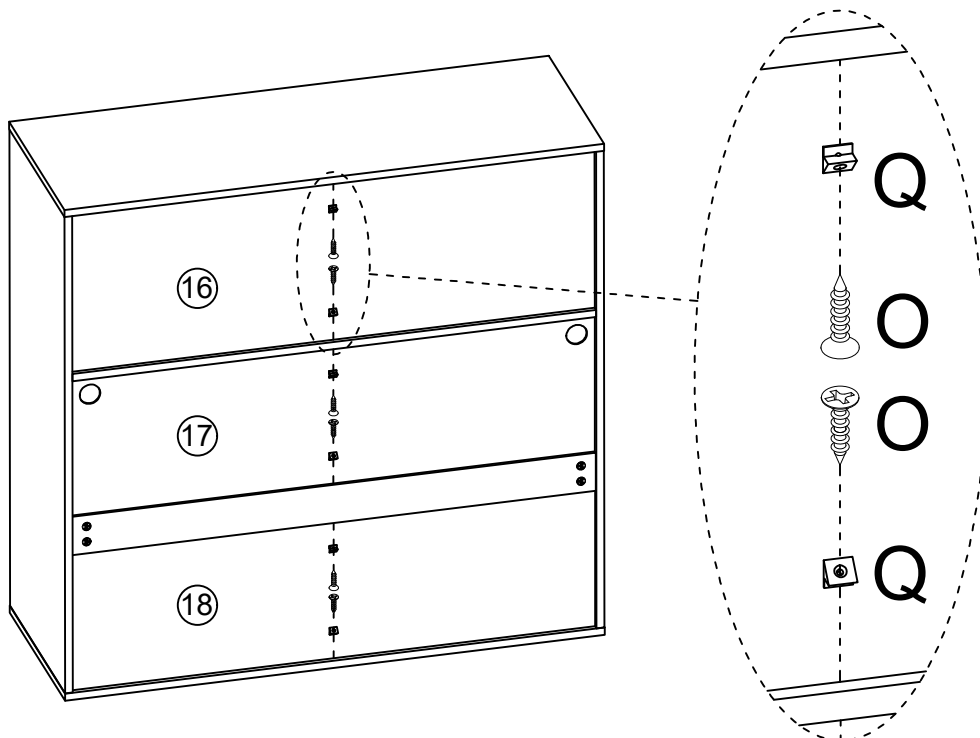
14×14×9mm

Ⓚ×6pcs



3.5×14mm

Ⓢ×6pcs

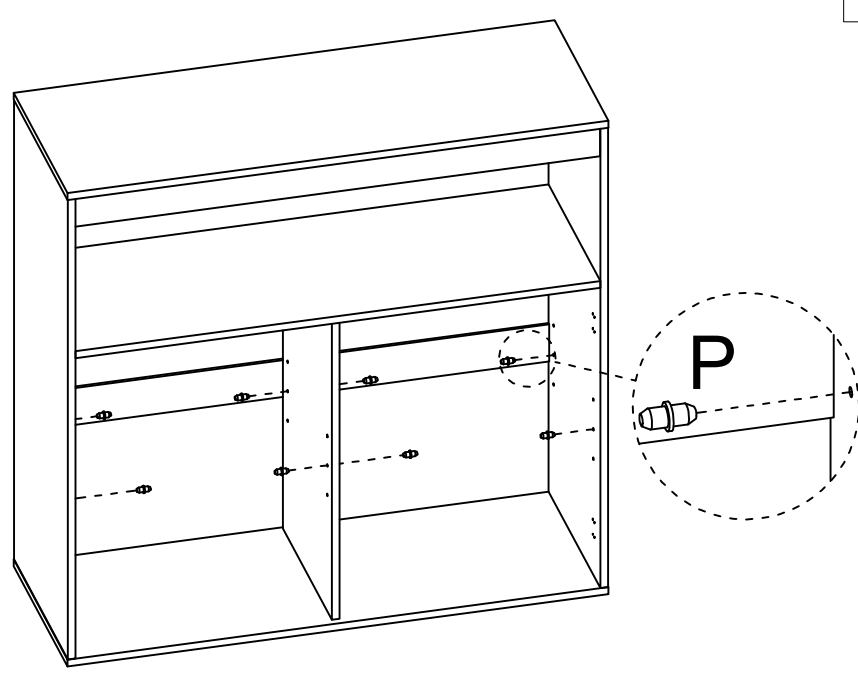


Step 17  
Schritt 17

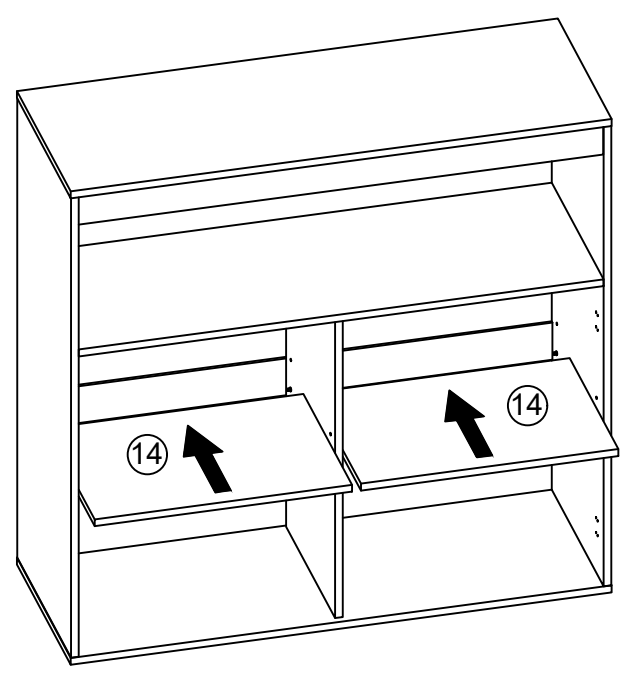


Ø5x14mm


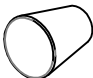

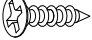
(P) x8pcs

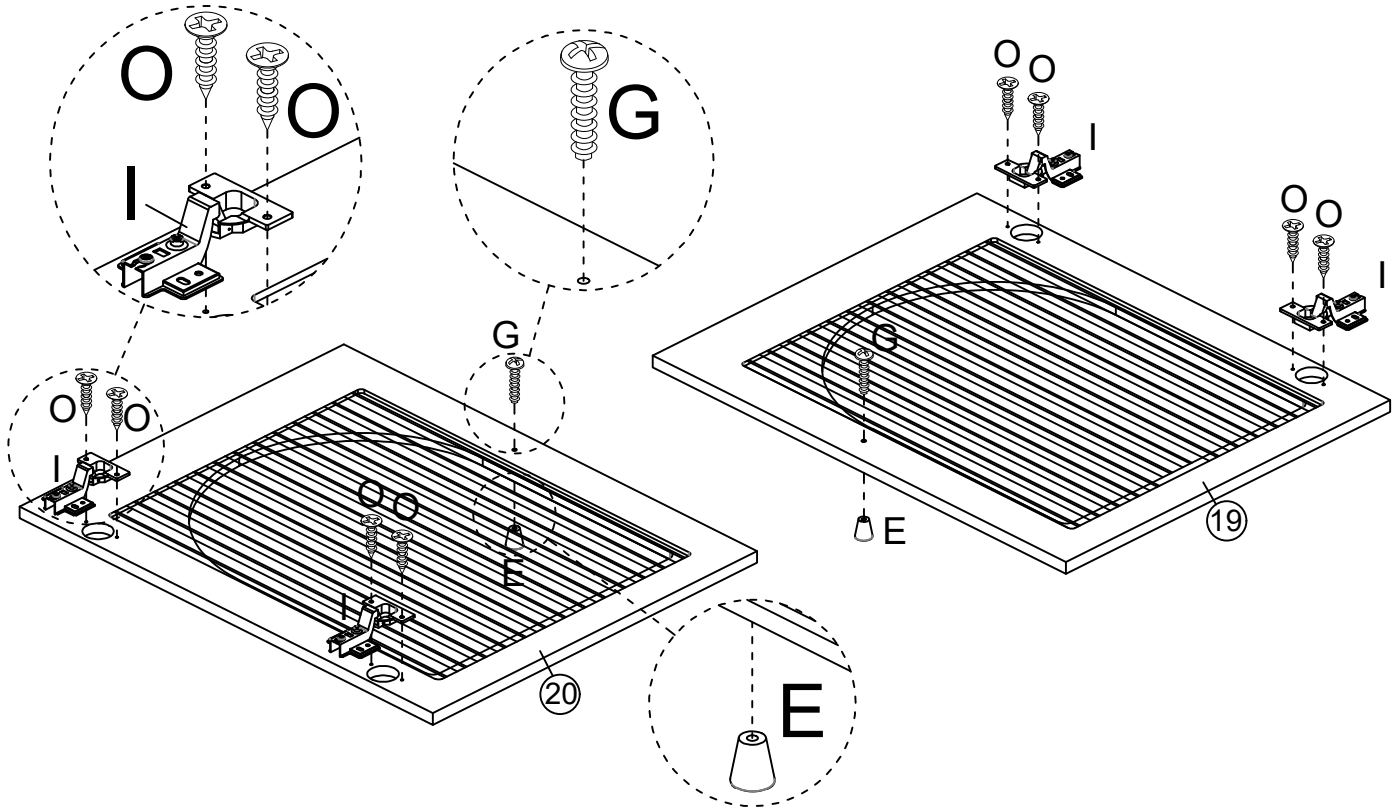


Step 18  
Schritt 18

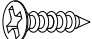


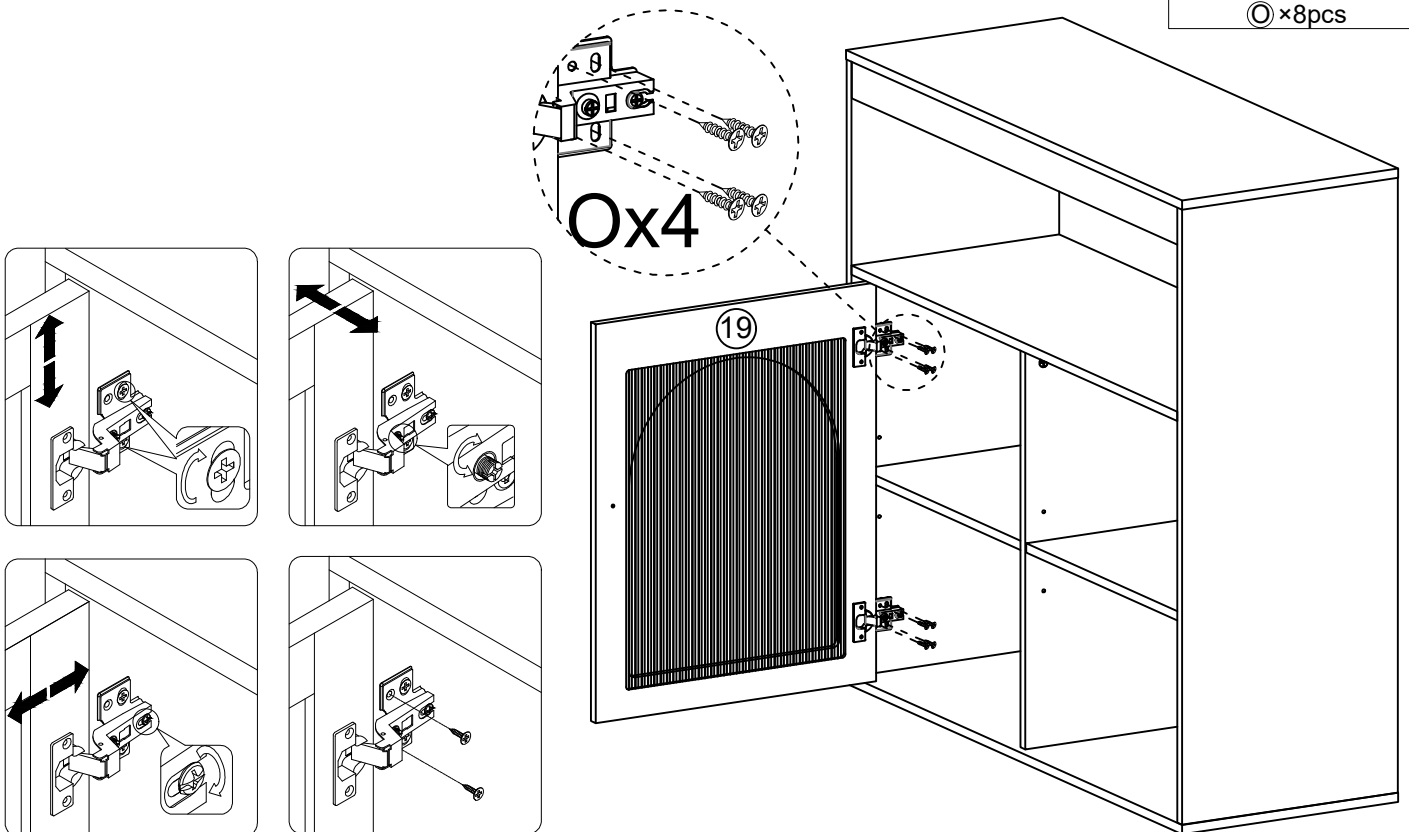
# Step 19 Schritt 19

|   |   |   |   |
|---|---|---|---|
|  |  | <br>4×20mm | <br>3.5×14mm |
| Ⓡ ×4pcs   | ⓔ ×2pcs   | ⓐ ×2pcs   | Ⓞ ×8pcs   |



# Step 20 Schritt 20

|   |
|---|
| <br>3.5×14mm |
| Ⓞ ×8pcs   |

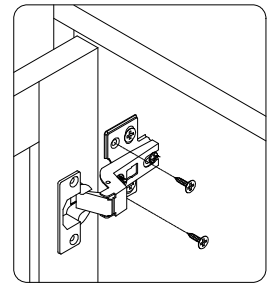
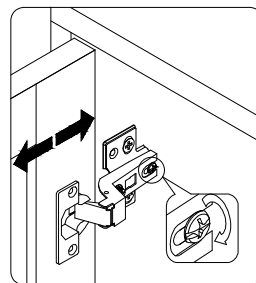
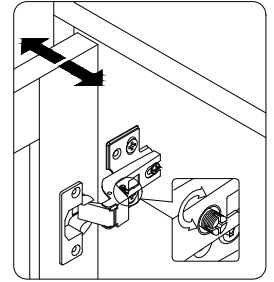
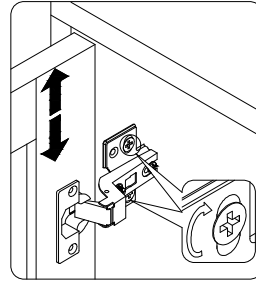
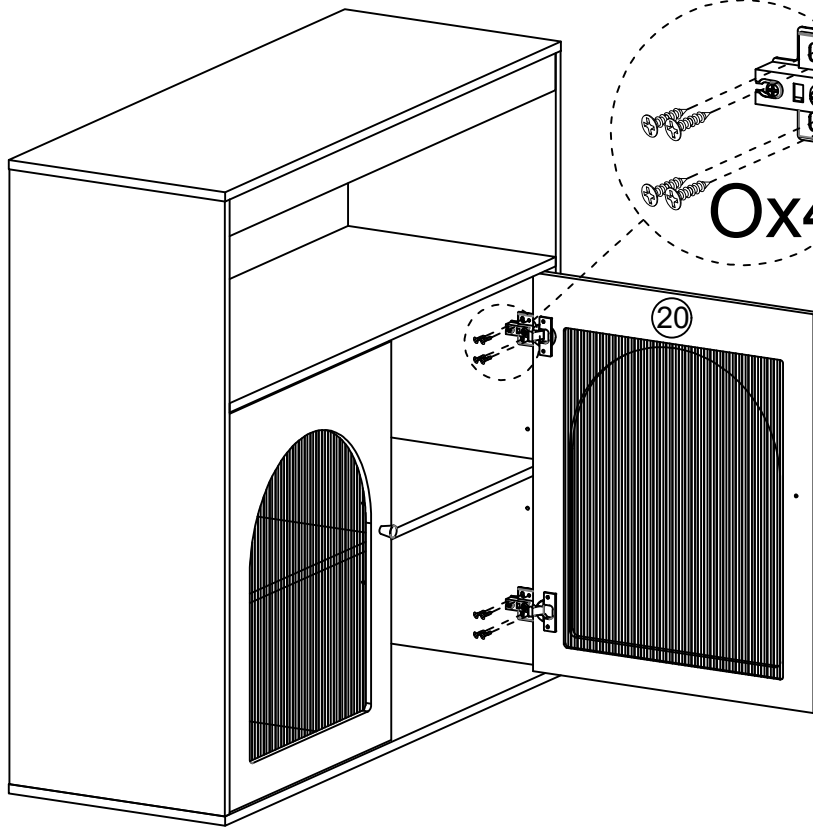


Step 21  
Schritt 21

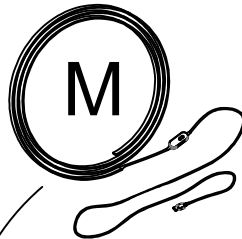
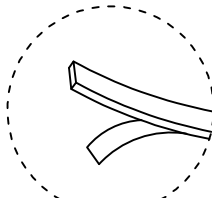


3.5×14mm

⊙×8pcs



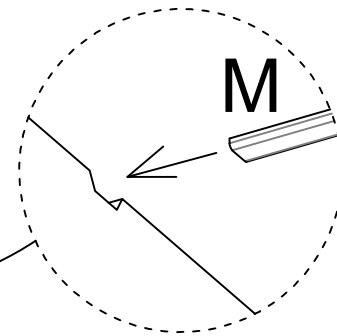
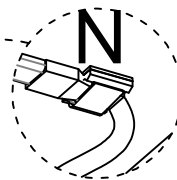
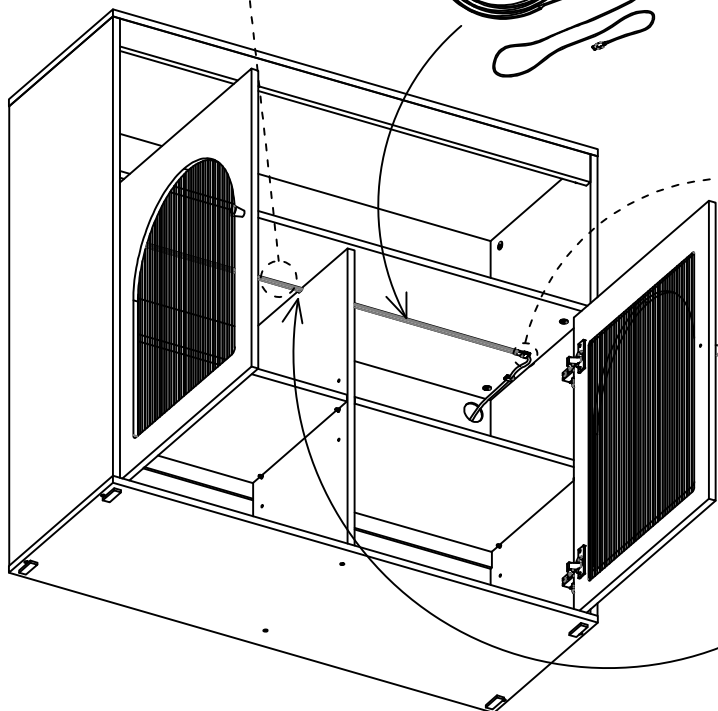
Step 22  
Schritt 22



N×2pcs



M×1pc



Step 23  
Schritt 23

