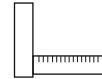
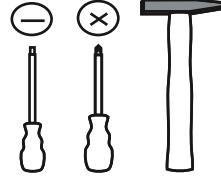
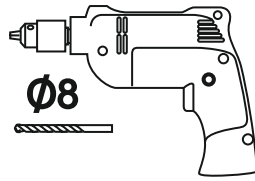
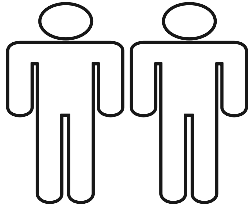
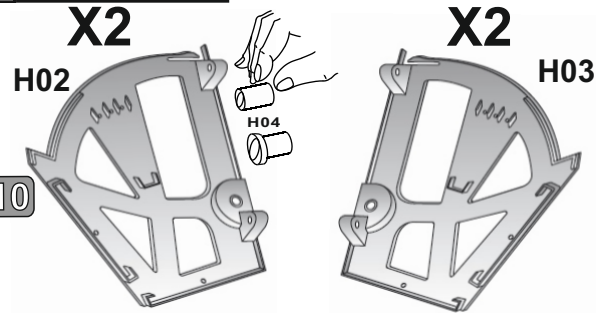
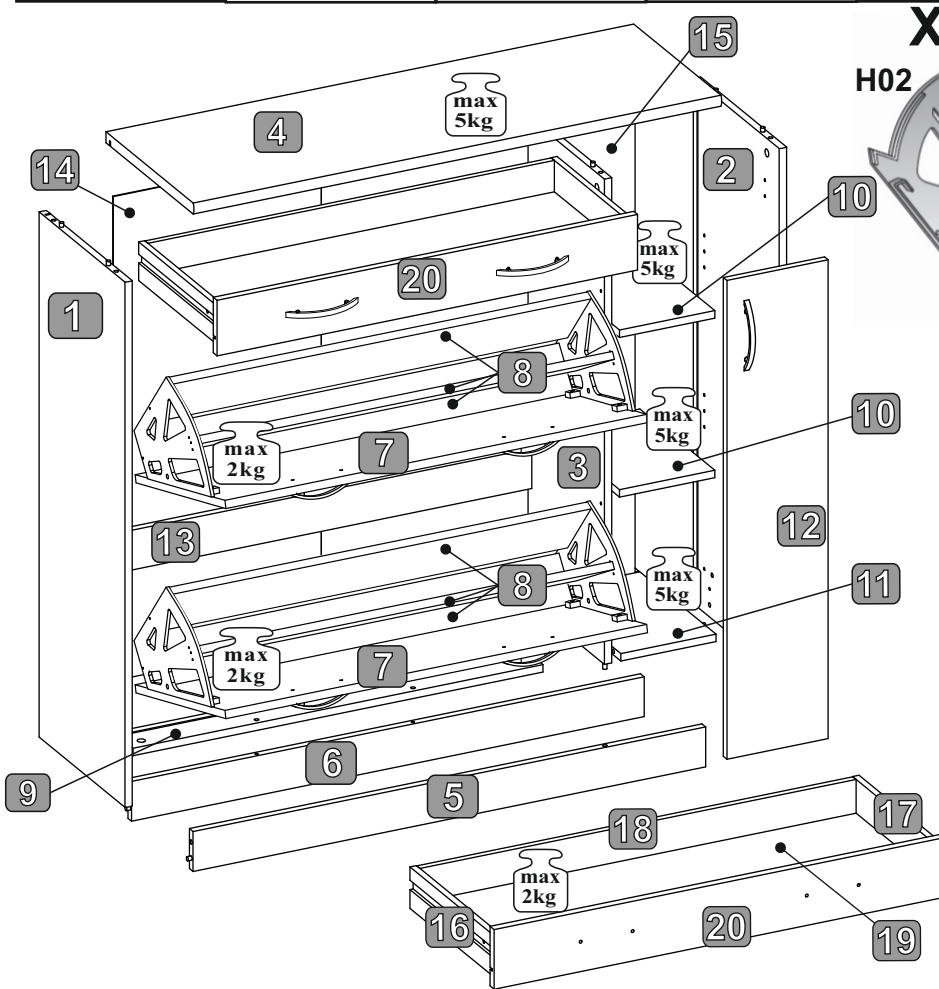


Optimus

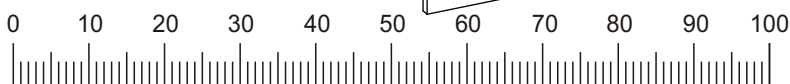
36043__N / 36043__F

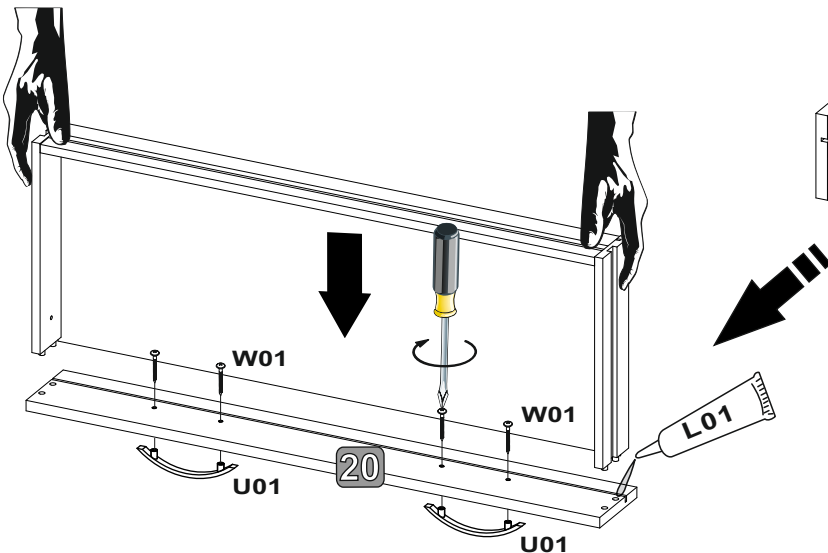
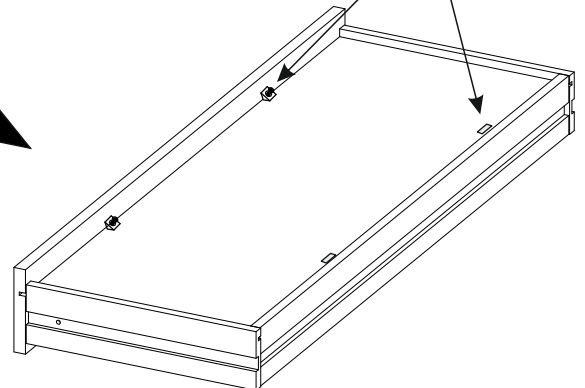
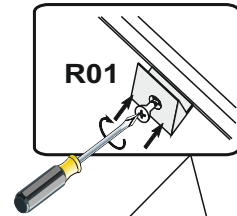
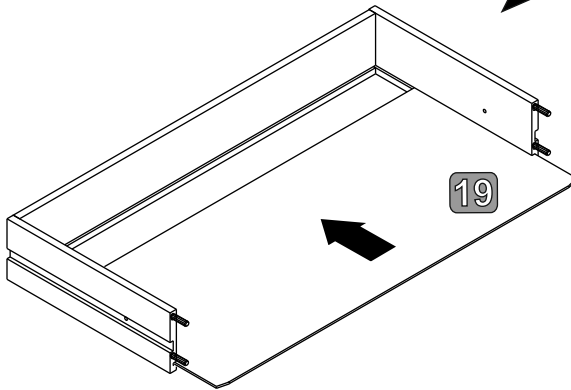
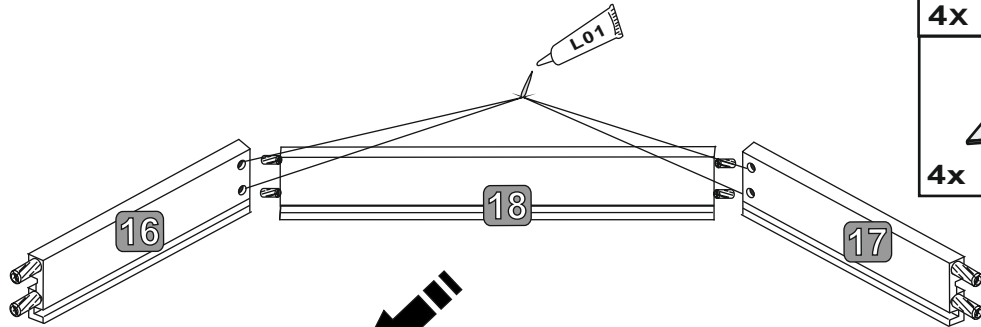
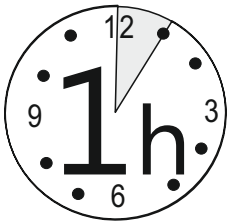
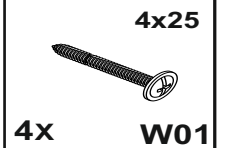
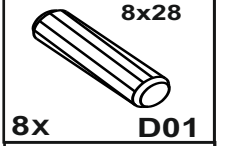
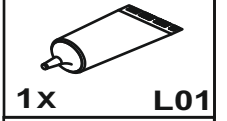
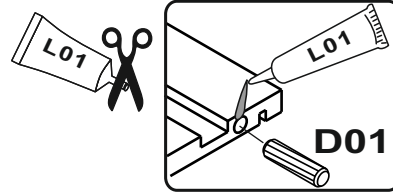
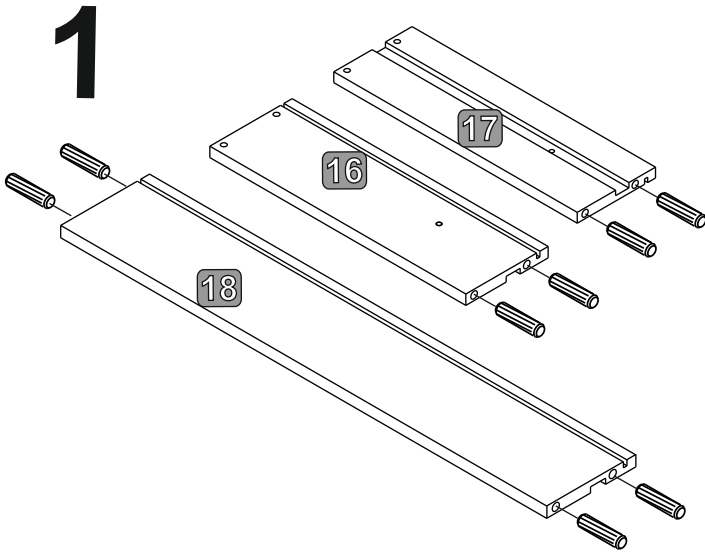


 2x W50	 1x K01	 22x R01	 27x D01	 18x T01	 18x T02
 1x L01	 6x S01	 12x W03	 7x U01	 14x W01	 16x W29
 2x P03	 4x W10	 2x X02	 1x F01	 1x F11	 1x P01
 2x W07	 2x Z01	 2x Z04	 4x W30	 8x E01	

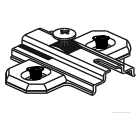
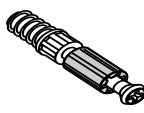


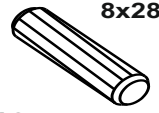

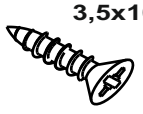
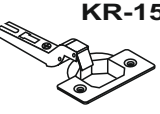
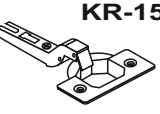


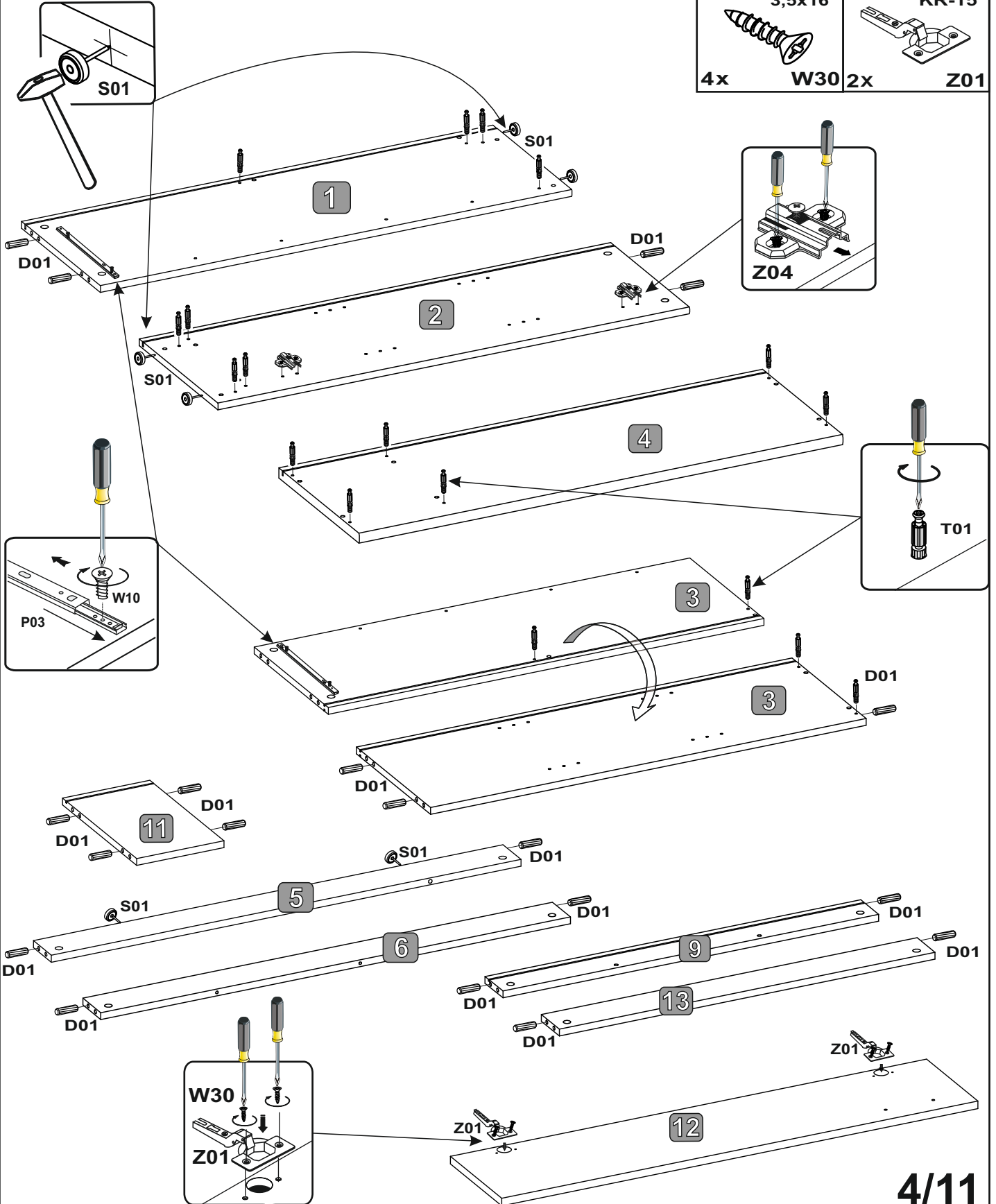
NR	DIM	QTE	COLLI
1	1053x353x15	1	1/2
2	1053x353x15	1	1/2
3	973x331x15	1	2/2
4	1080x360x22	1	1/2
5	1049x80x15	1	1/2
6	1049x80x15	1	1/2
7	834x422x15	2	2/2
8	827x104x12	6	1/2
9	839x80x15	1	2/2
10	195x307x15	2	2/2
11	195x331x15	1	2/2
12	960x207x15	1	2/2
13	839x80x15	1	2/2
14	971x852x2	1	1/2
15	971x208x2	1	1/2
16	300x75x12	1	2/2
17	300x75x12	1	2/2
18	806x75x12	1	2/2
19	817x300x2	1	2/2
20	834x108x15	1	2/2



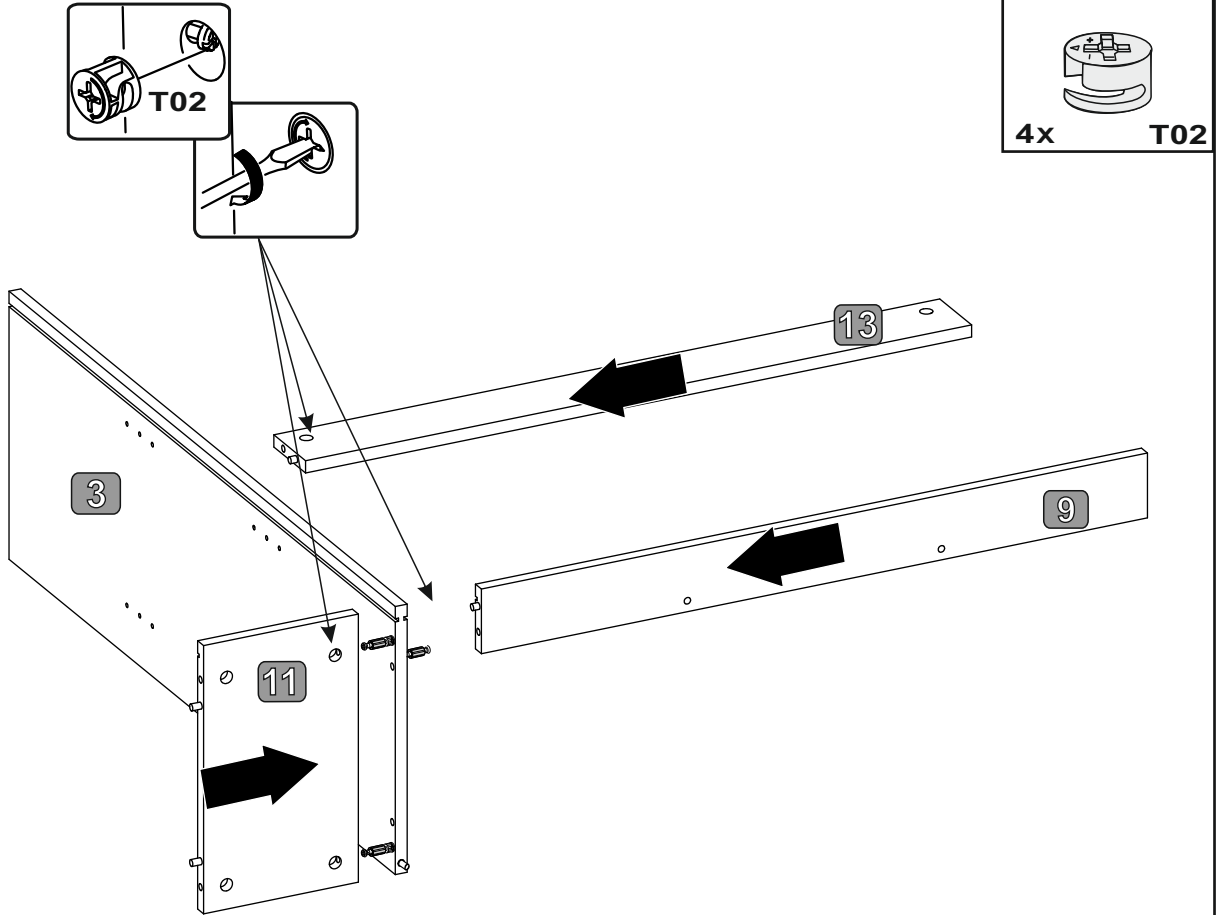


2

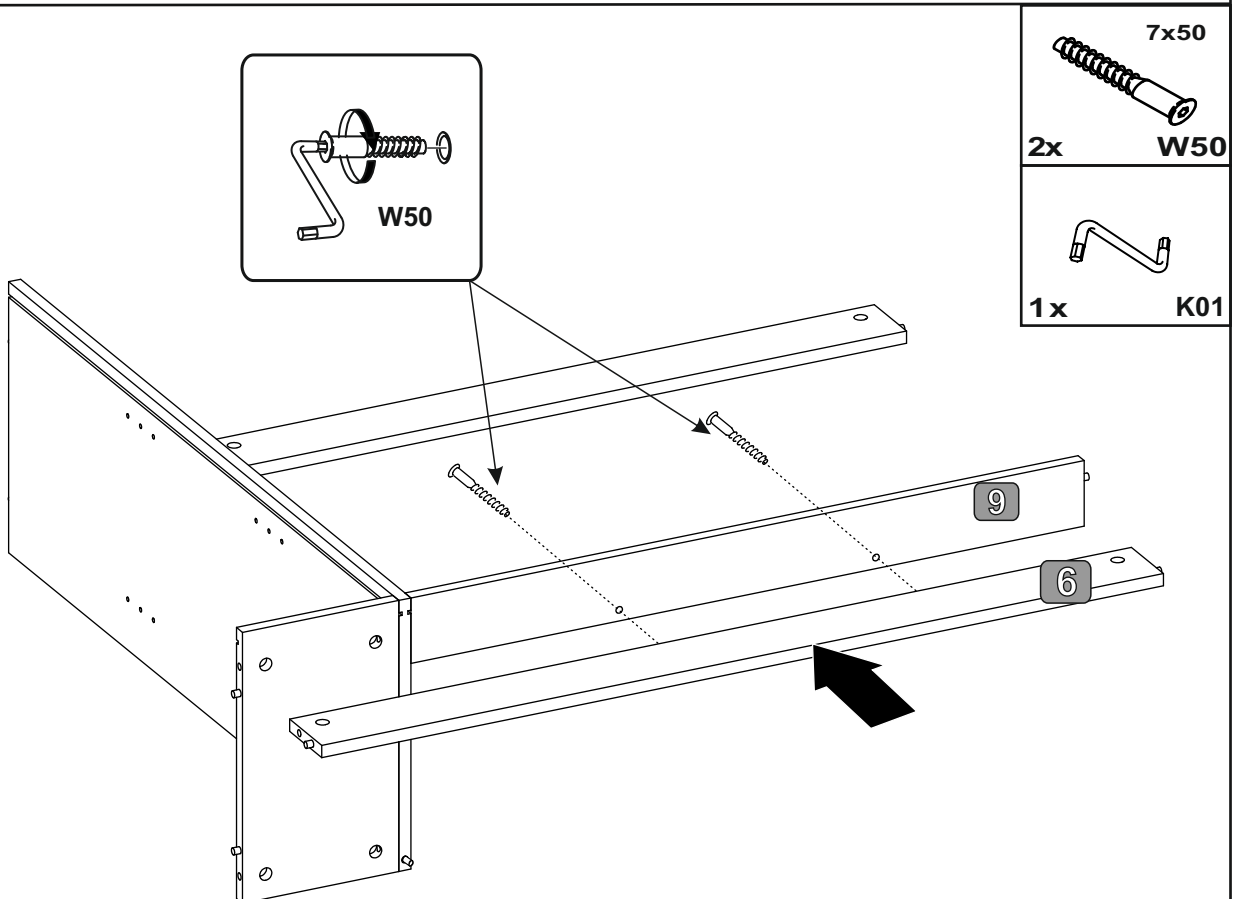
 2x Z04	 18x T01	 6x8 W10	 2x P03	 19x D01	 6x S01
			 4x W30	 2x Z01	 KR-15



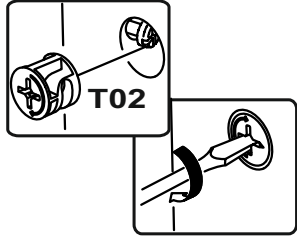
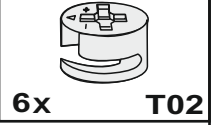
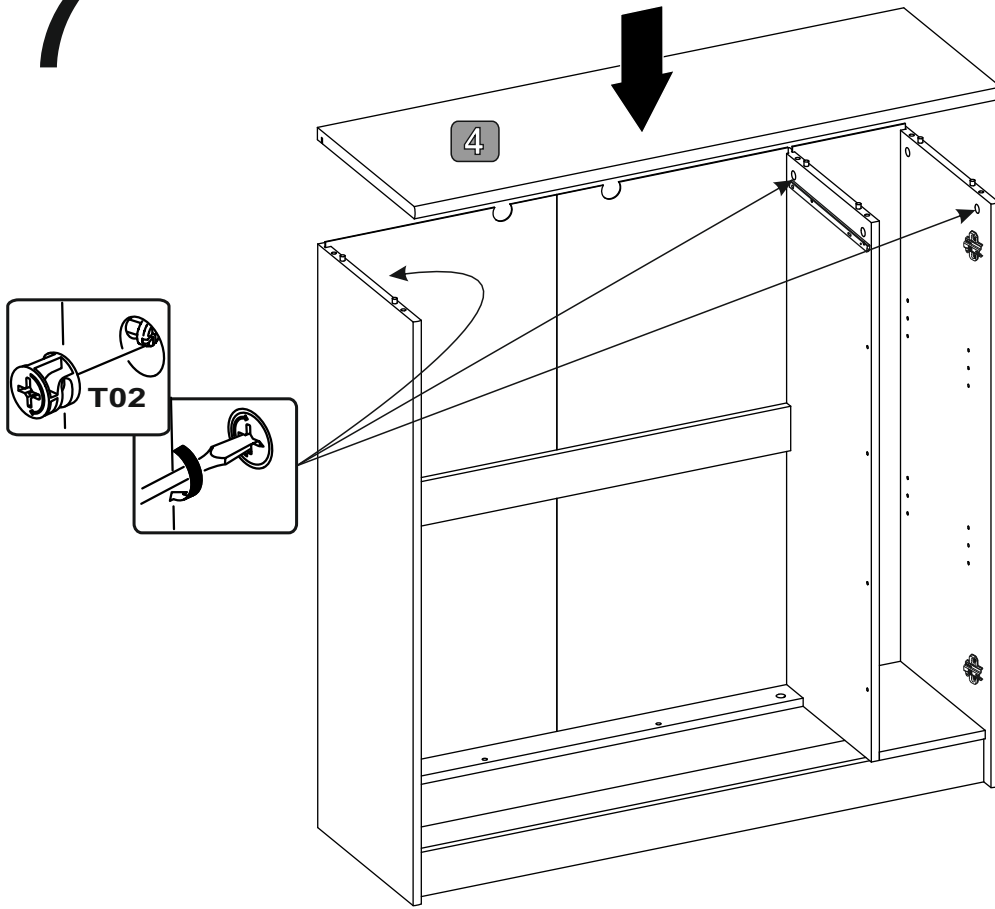
3



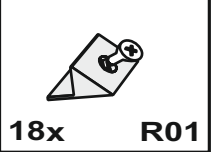
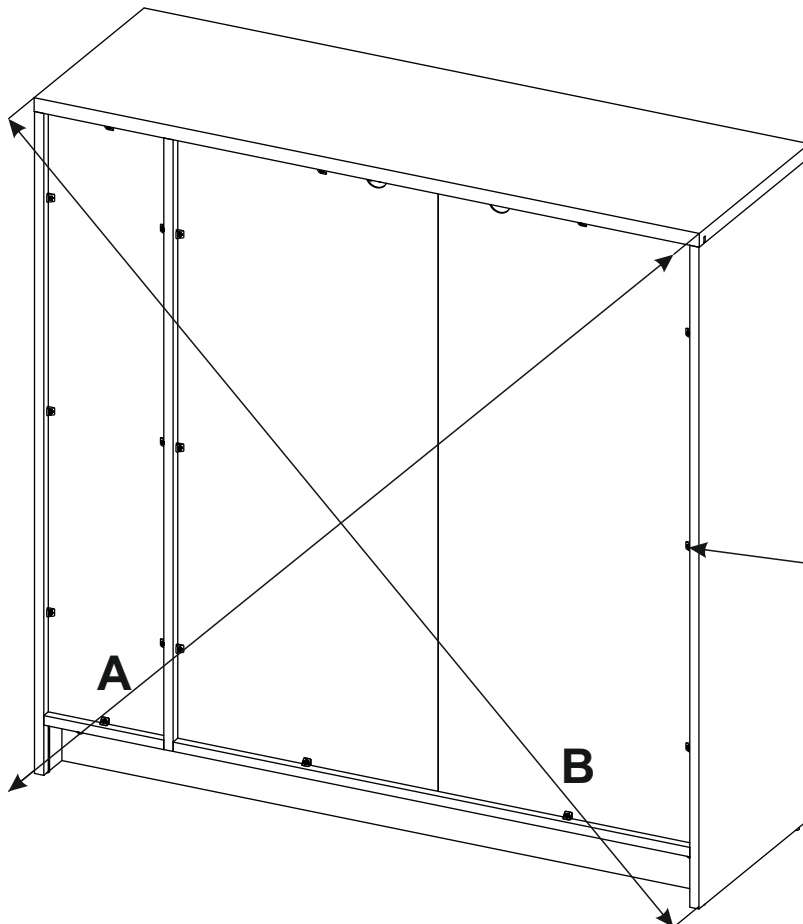
4



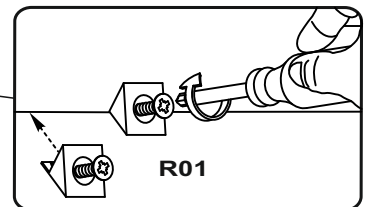
7



8



A=B

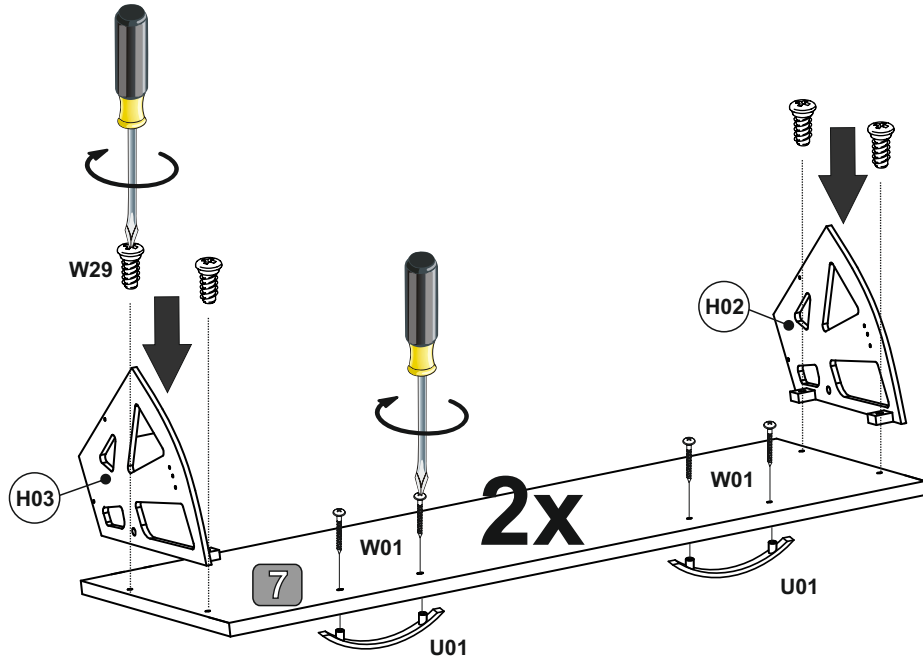


9

H02



H03



6,3x20



8x

W29



4x

U01

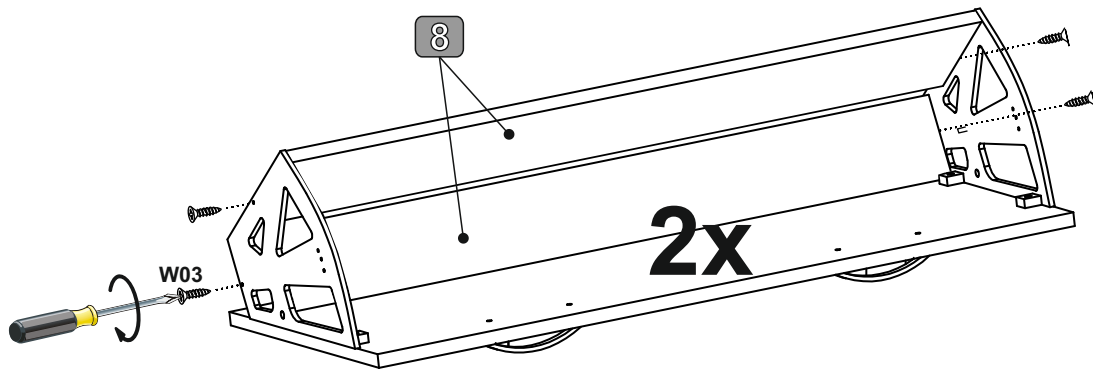
4x25



8x

W01

10



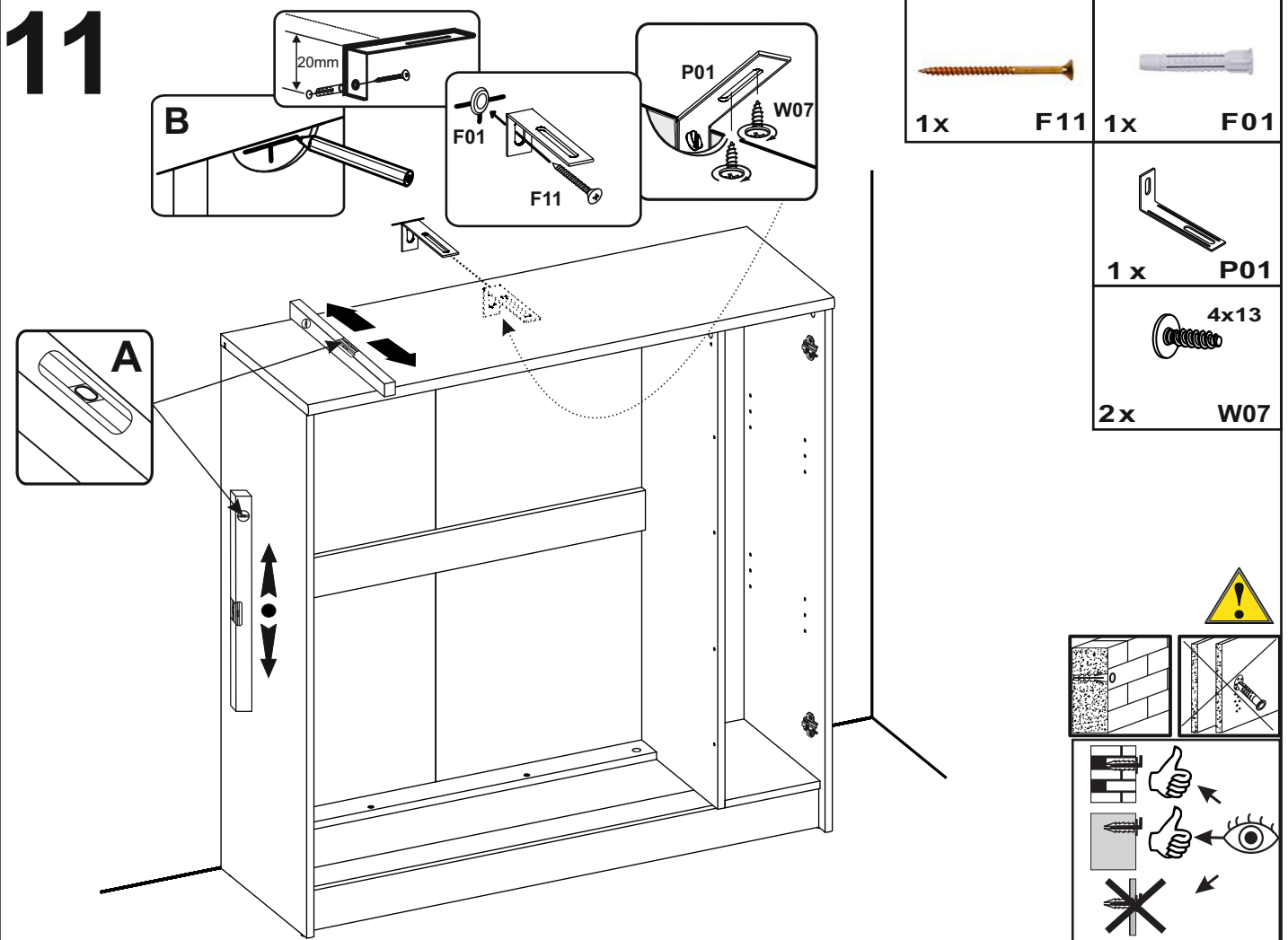
3 x13



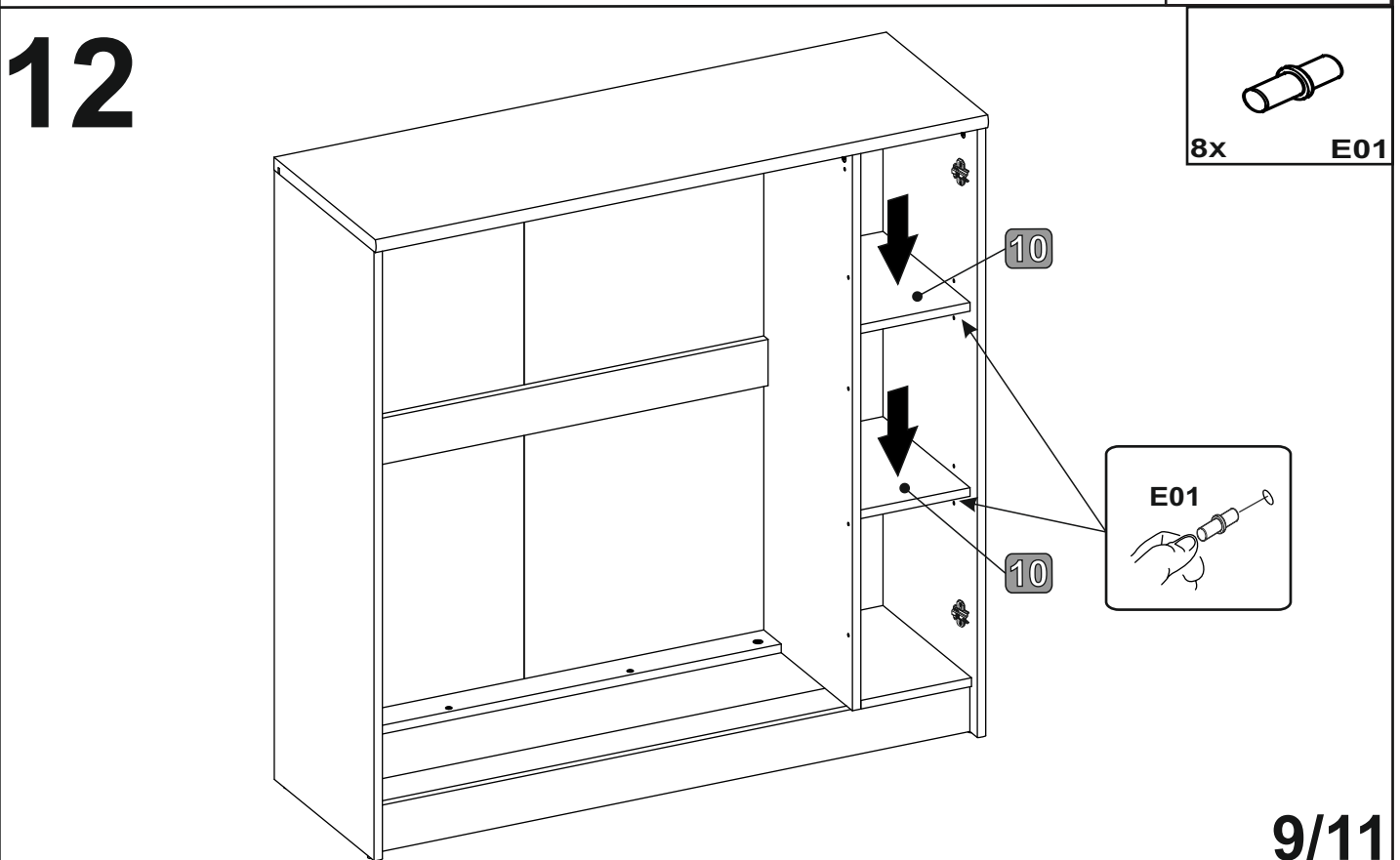
8x

W03

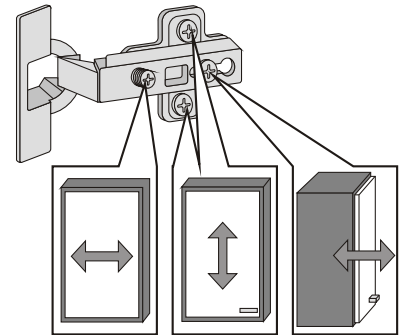
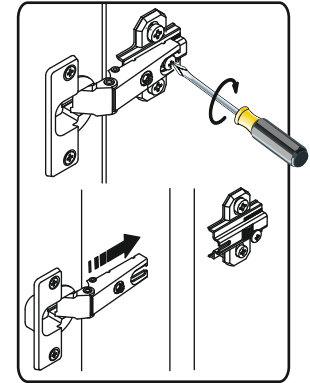
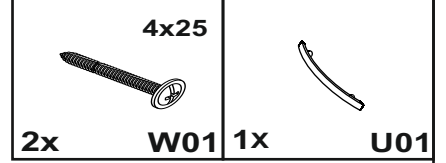
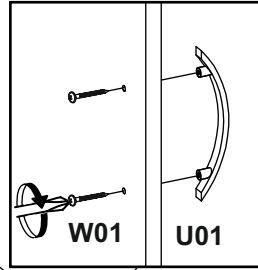
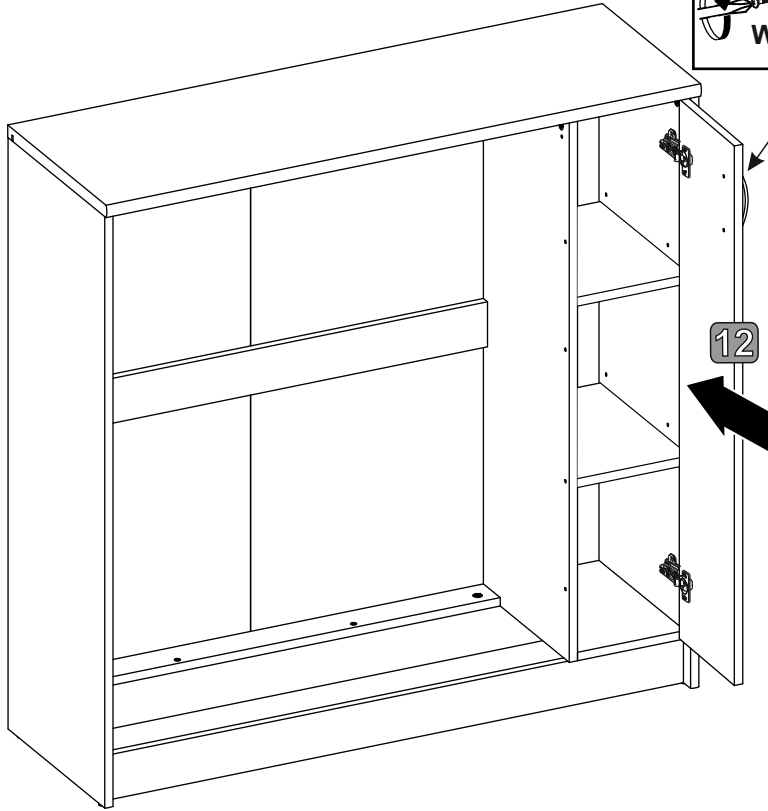
11



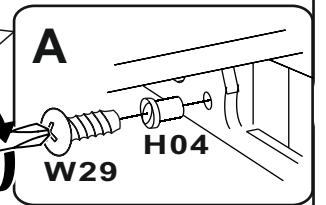
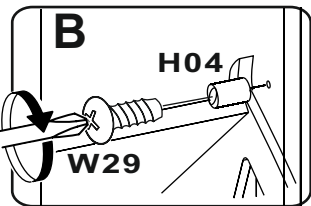
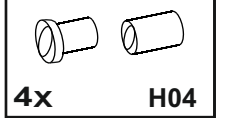
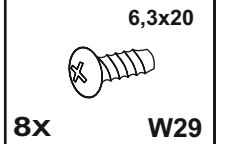
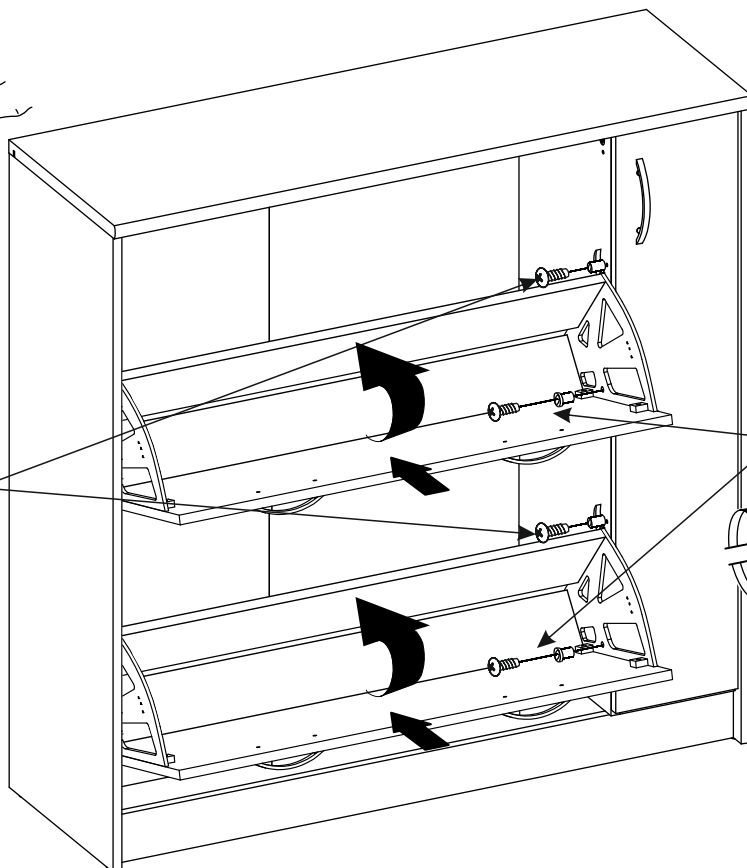
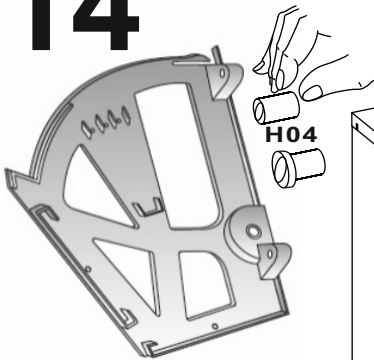
12



13



14



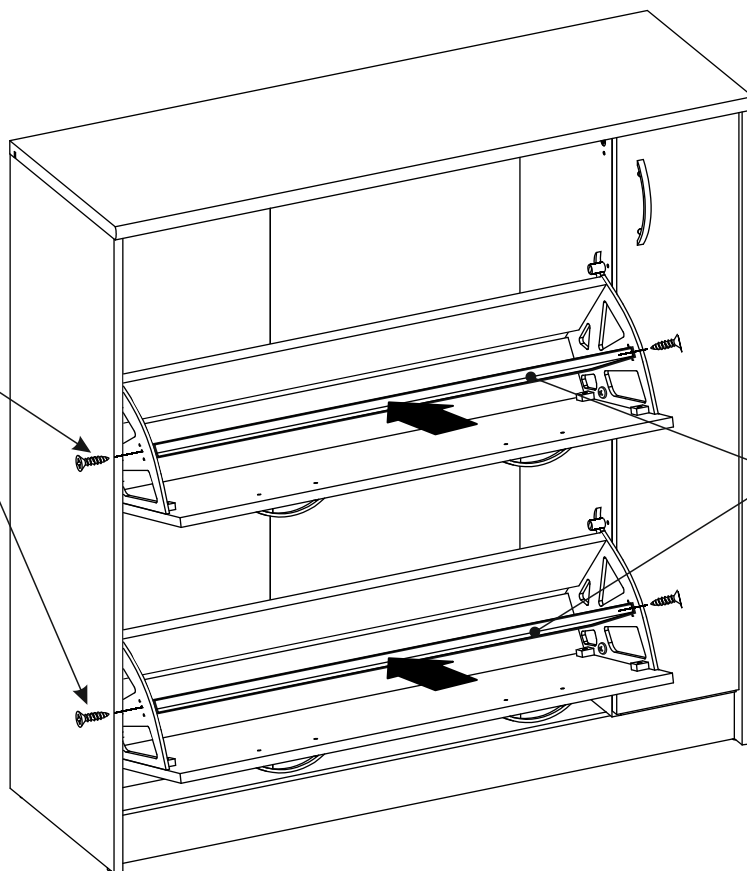
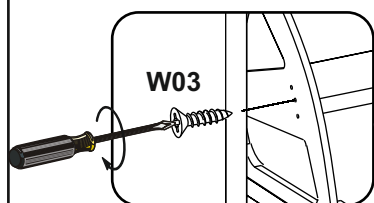
15

3 x13



4x

W03



16

4x10



2x

X02

