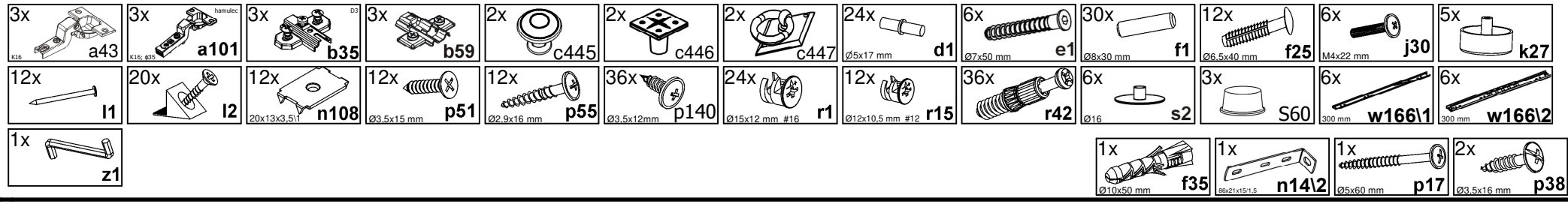
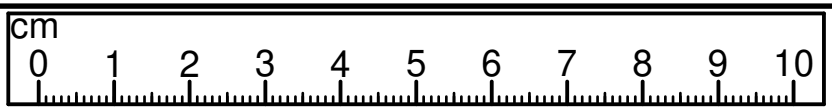
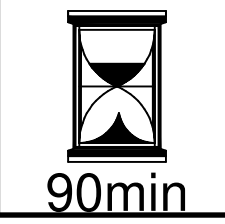
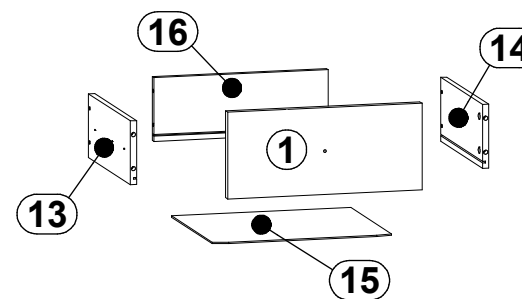
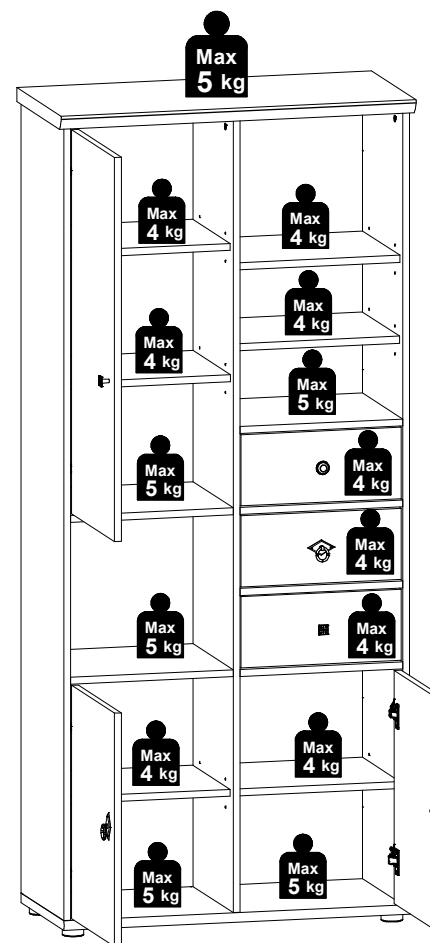
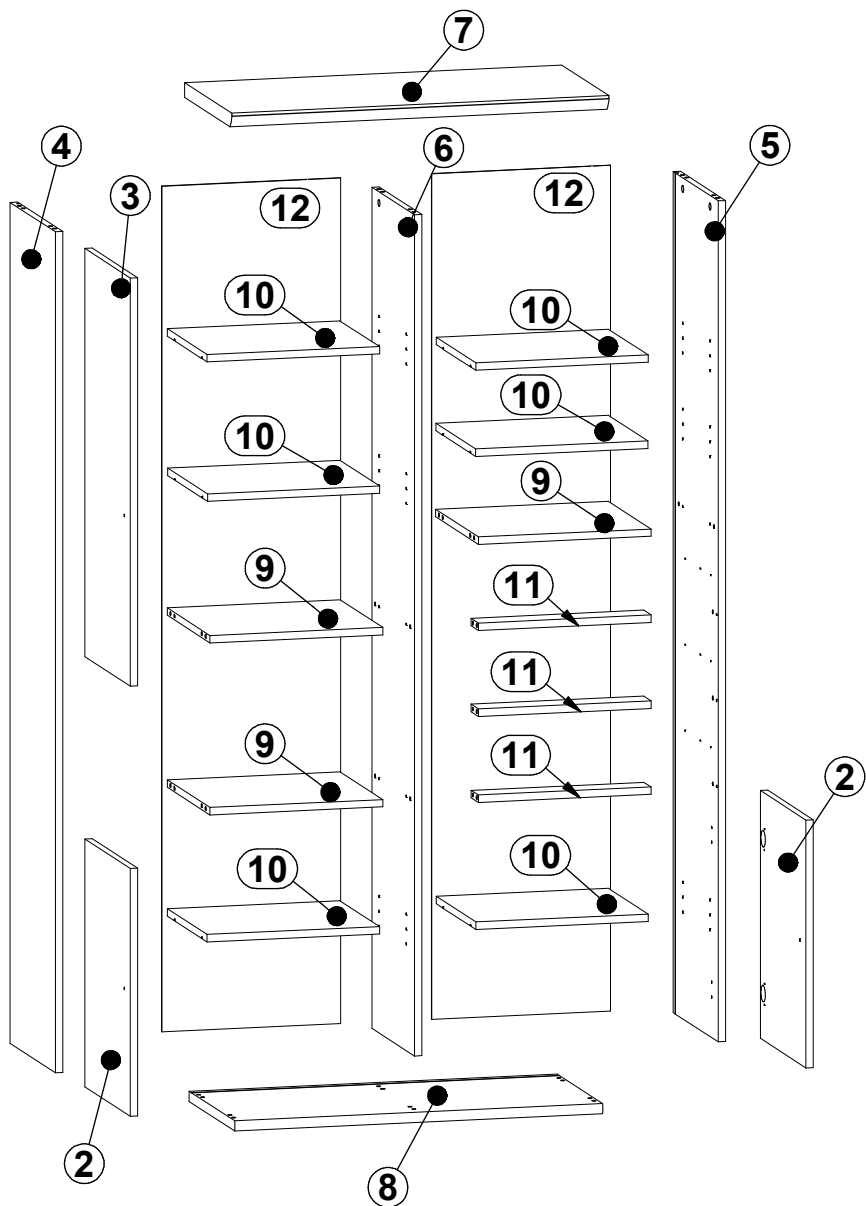
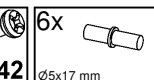
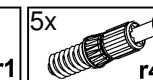
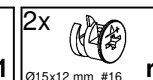
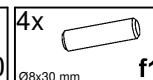
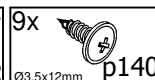
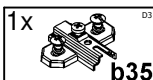
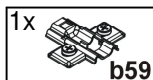
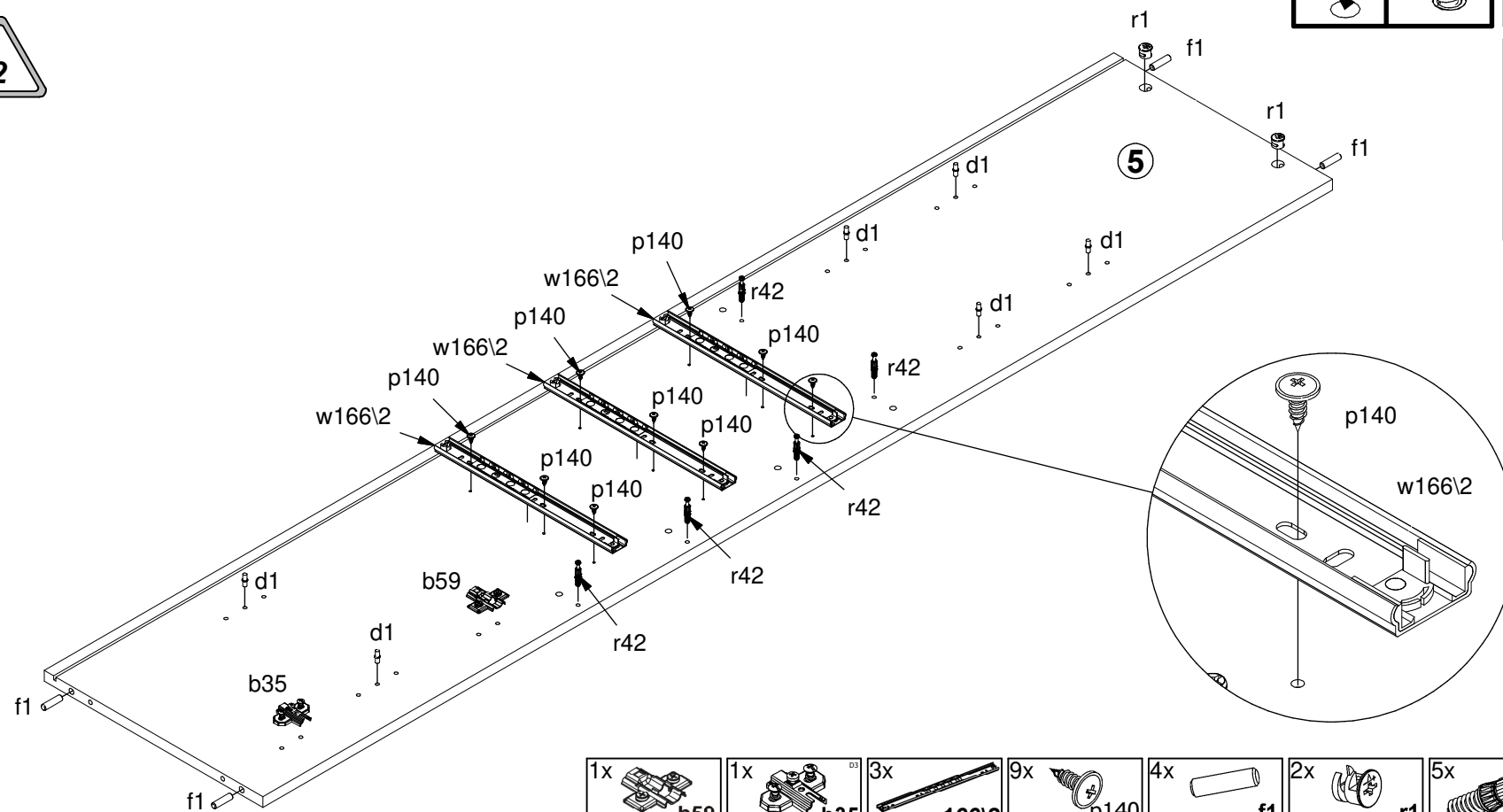
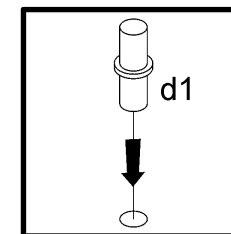
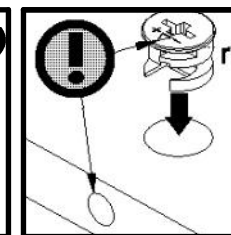
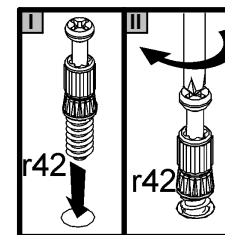
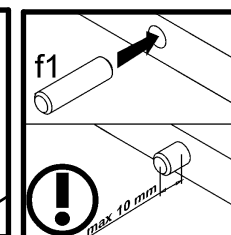
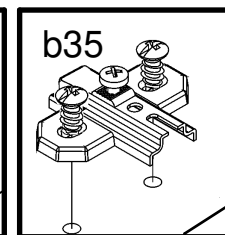
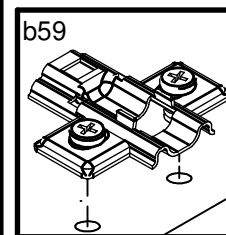
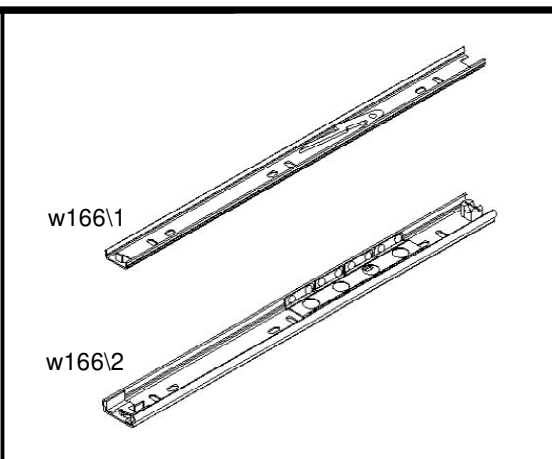
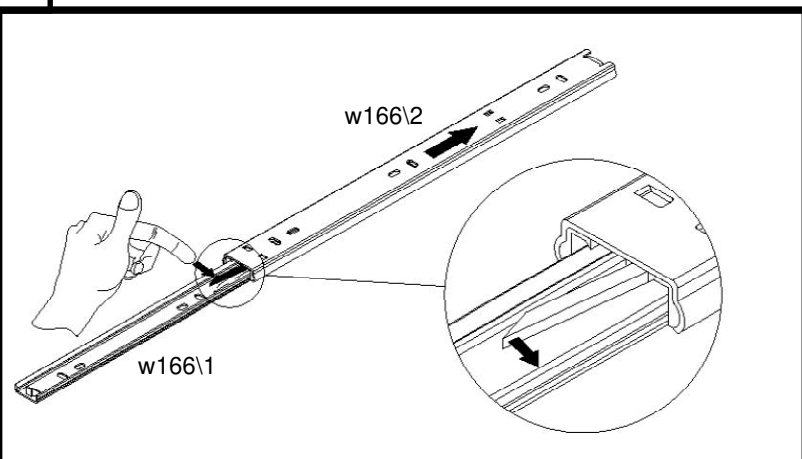
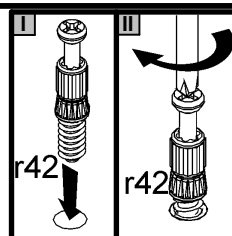
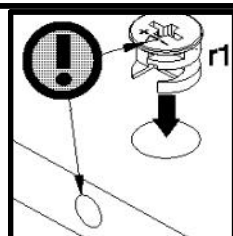
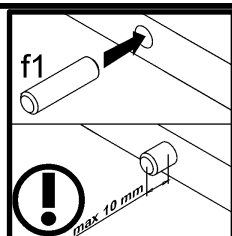
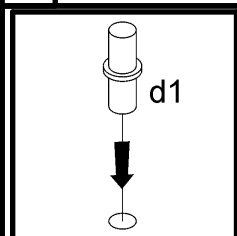


A	B	C (mm)		D
1	S248-0006	163	373	3/3
2	S248-0007	533	373	3/3
3	S248-0008	878	373	3/3
4	S248-1006	1809	370	2/3
5	S248-1007	1809	370	2/3
6	S248-1008	1809	350	2/3
7	S248-2001	827	388	1/3
8	S248-2003	807	375	1/3
9	S248-3003	379	350	1/3
10	S248-3005	378	325	1/3
11	S248-4002	379	60	1/3
12	S248-9001	1819	392	2/3
13	WSK3-503	300	120	2/3
14	WSK3-504	300	120	2/3
15	WSP-9089	344	298	2/3
16	WTR-5025	334	120	2/3

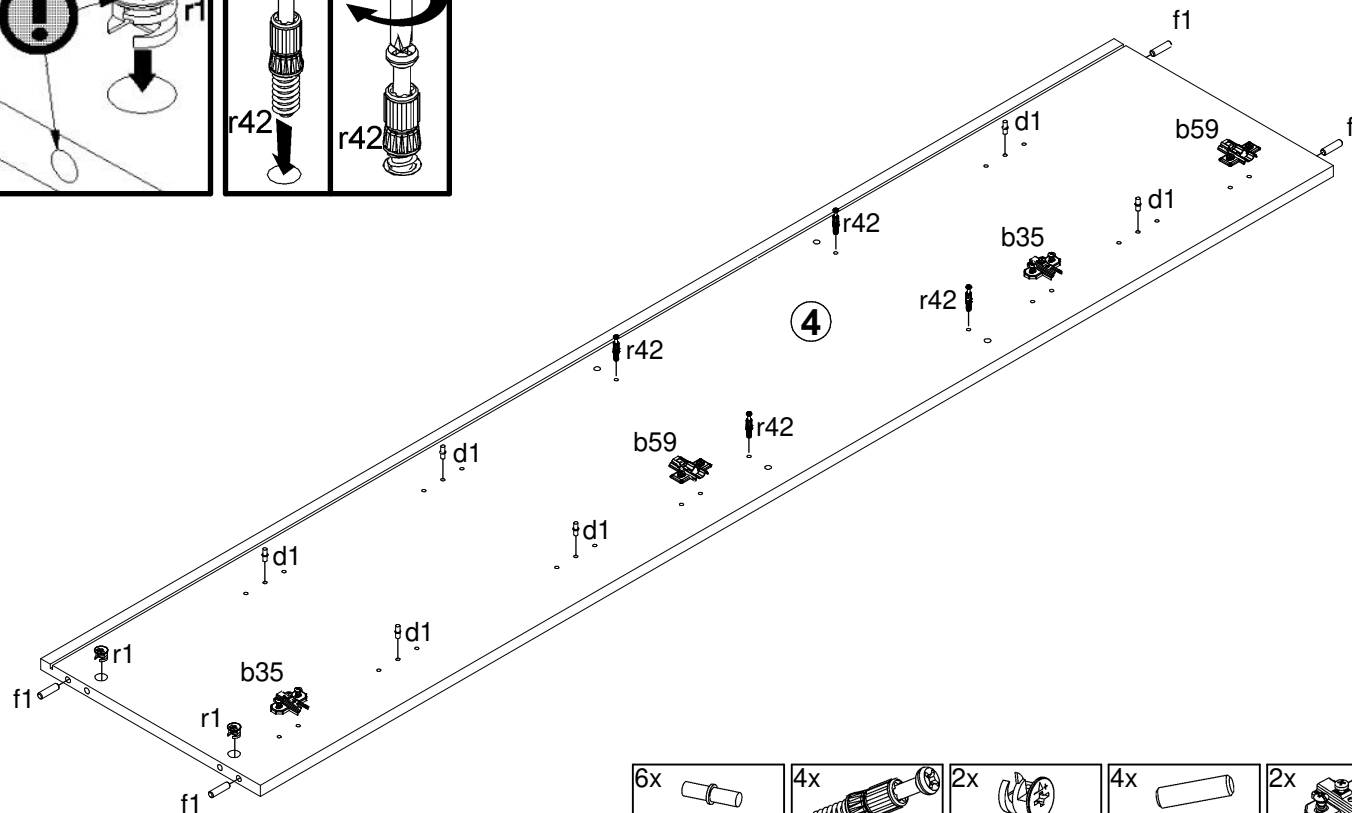
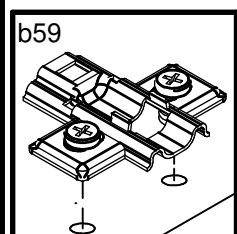
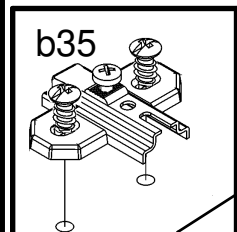




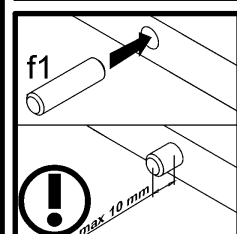
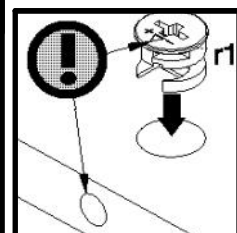




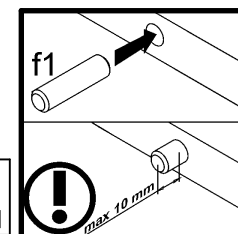
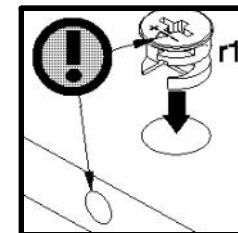
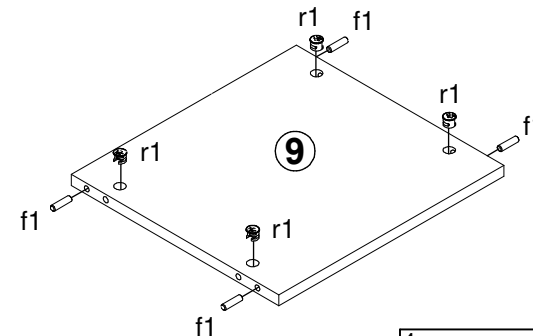
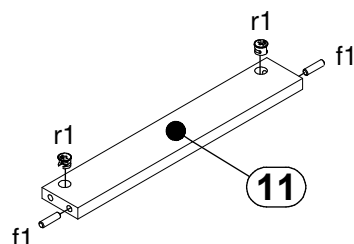
1



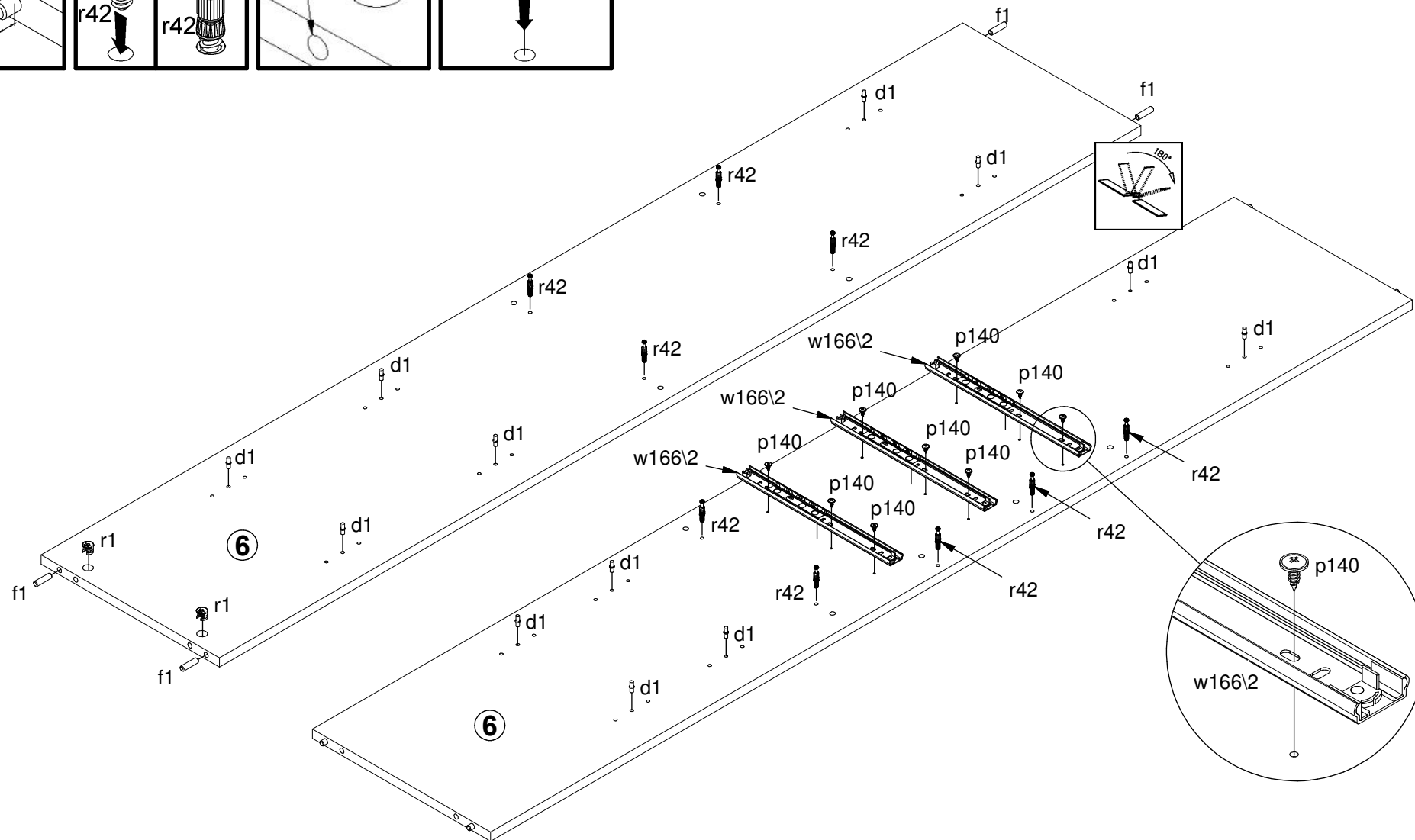
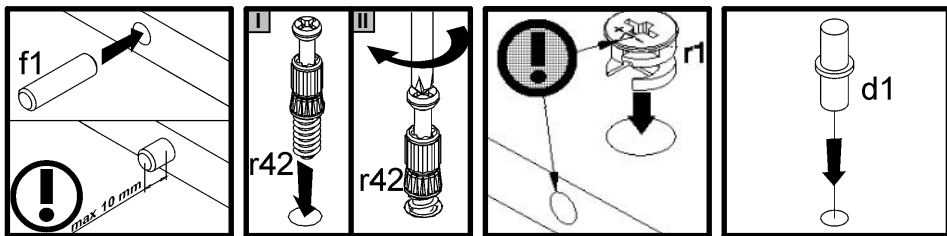
- 6x **d1**
∅5x17 mm
- 4x **r42**
- 2x **r1**
∅15x12 mm #16
- 4x **f1**
∅8x30 mm
- 2x **b35**
- 2x **b59**



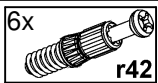
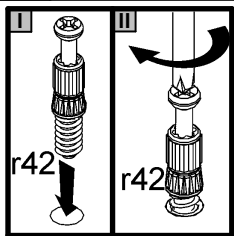
- 2x **r1**
∅15x12 mm #16
- 2x **f1**
∅8x30 mm



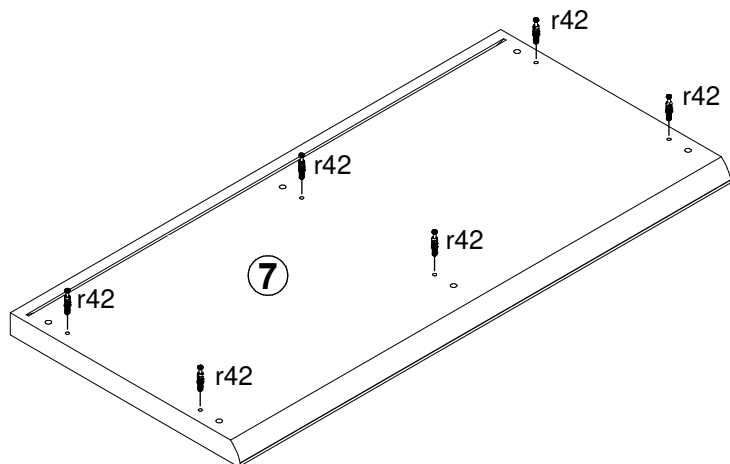
- 4x **r1**
∅15x12 mm #16
- 4x **f1**
∅8x30 mm



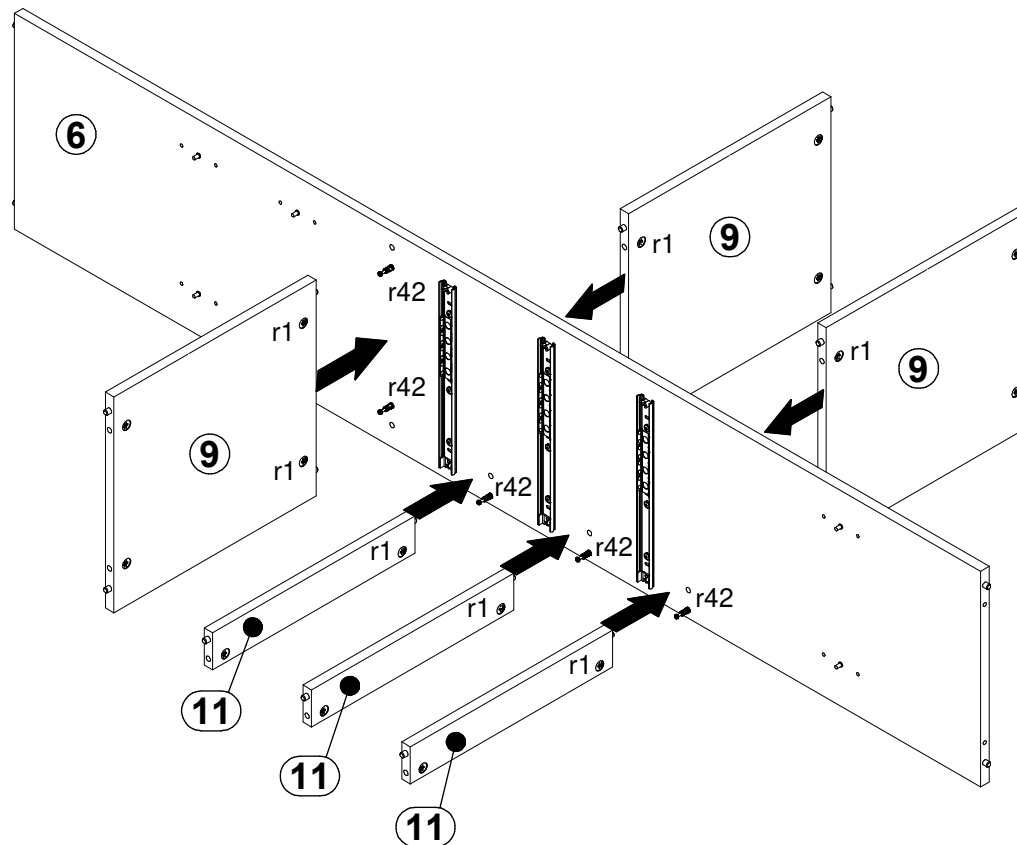
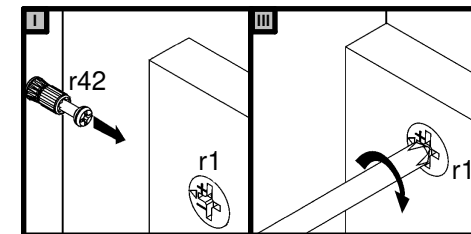
3x 300 mm w166\2	9x Ø3.5x12mm p140	4x Ø8x30 mm f1	2x Ø15x12 mm #16 r1	9x r42	12x Ø5x17 mm d1
------------------------	-------------------------	----------------------	---------------------------	-----------	-----------------------

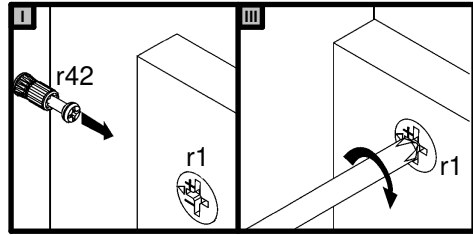


1

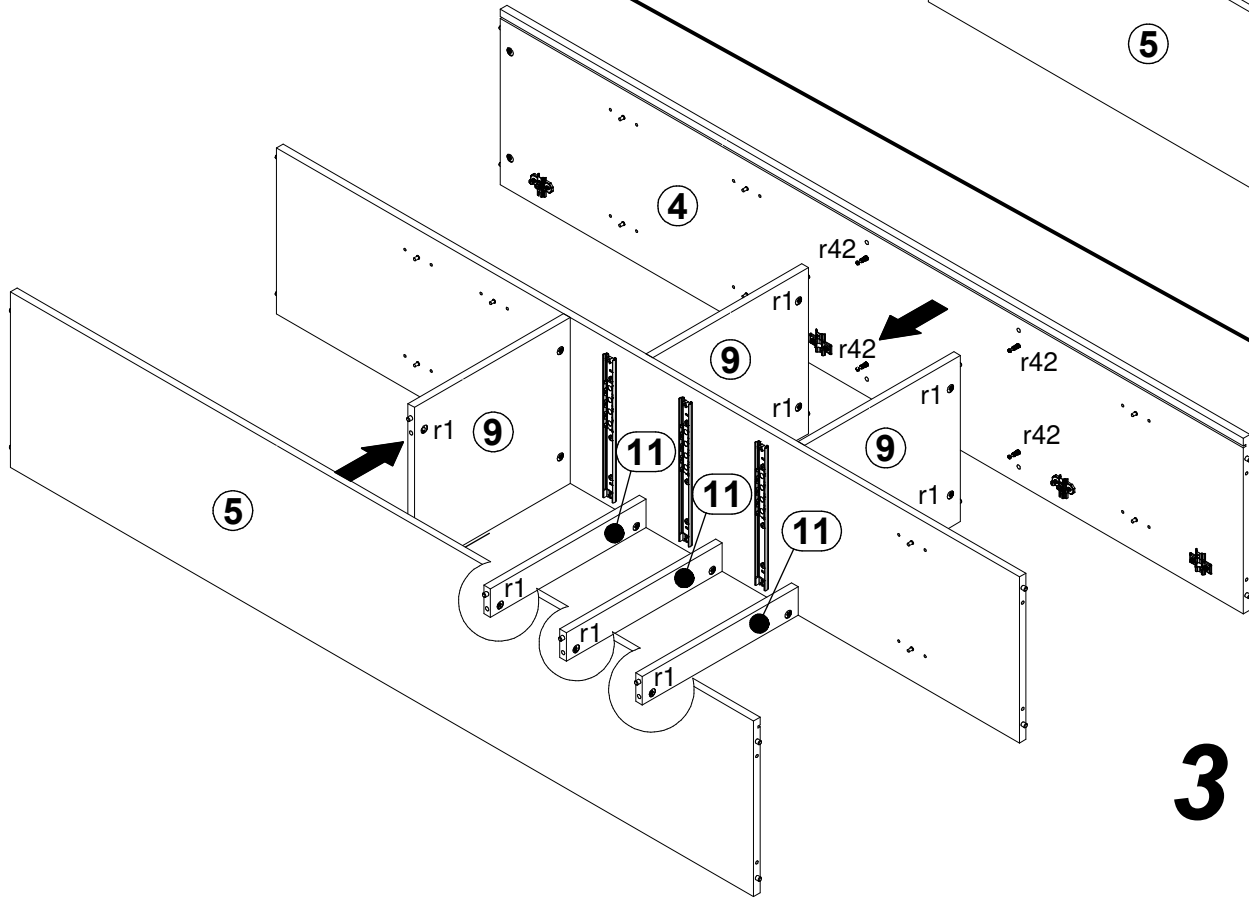
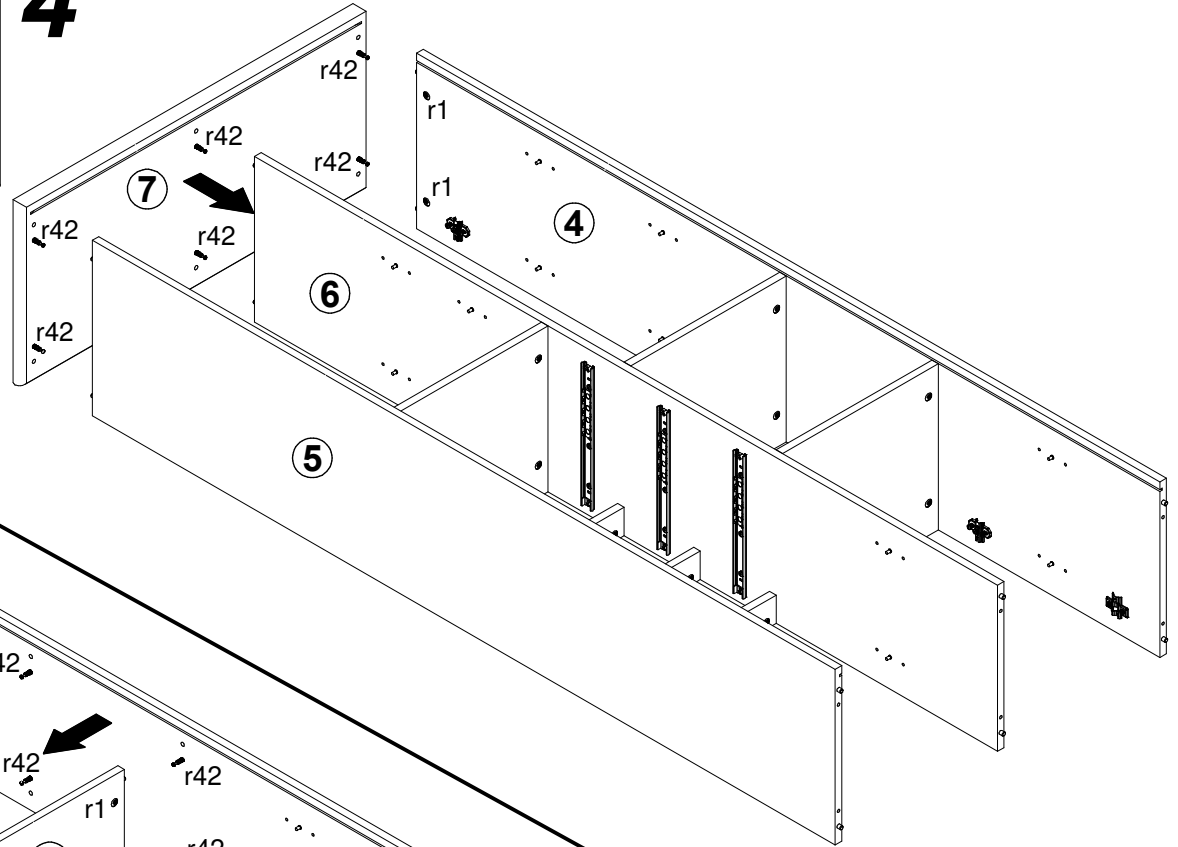


2

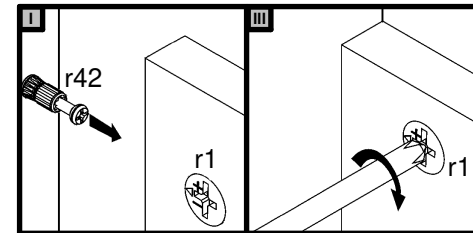


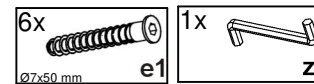


4

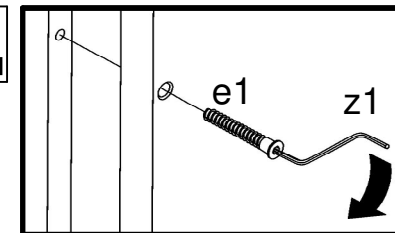


3

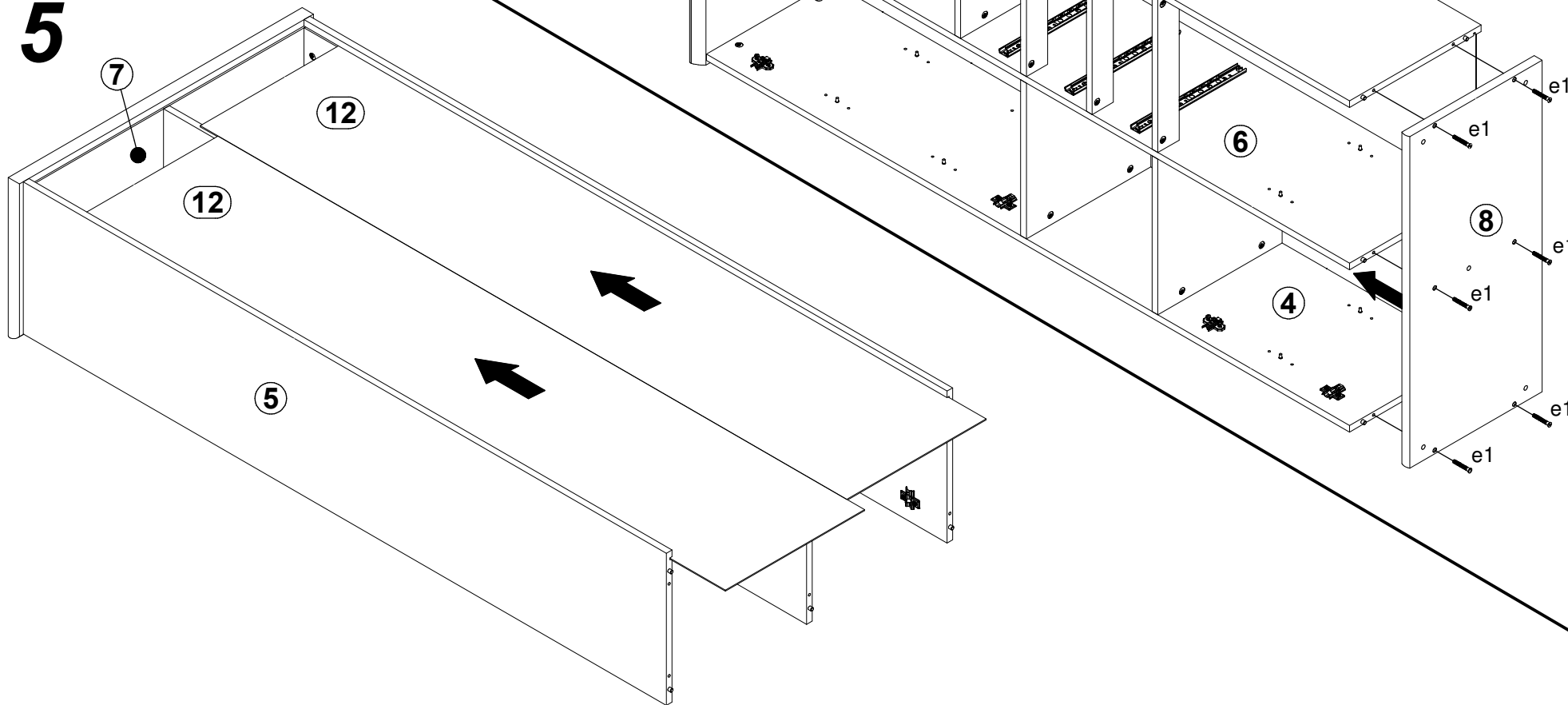


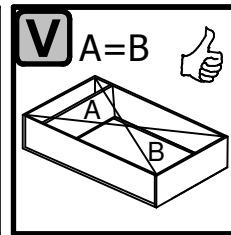
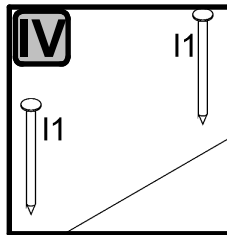
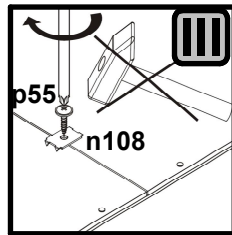
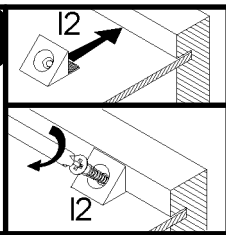
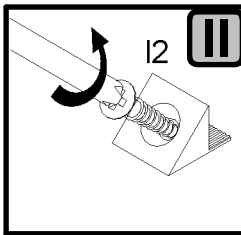
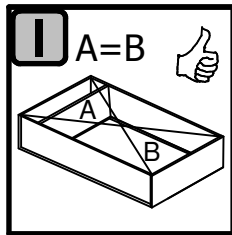


6

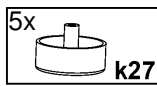
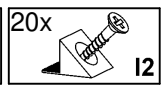
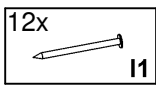
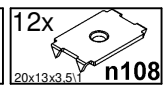
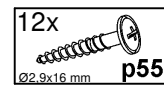
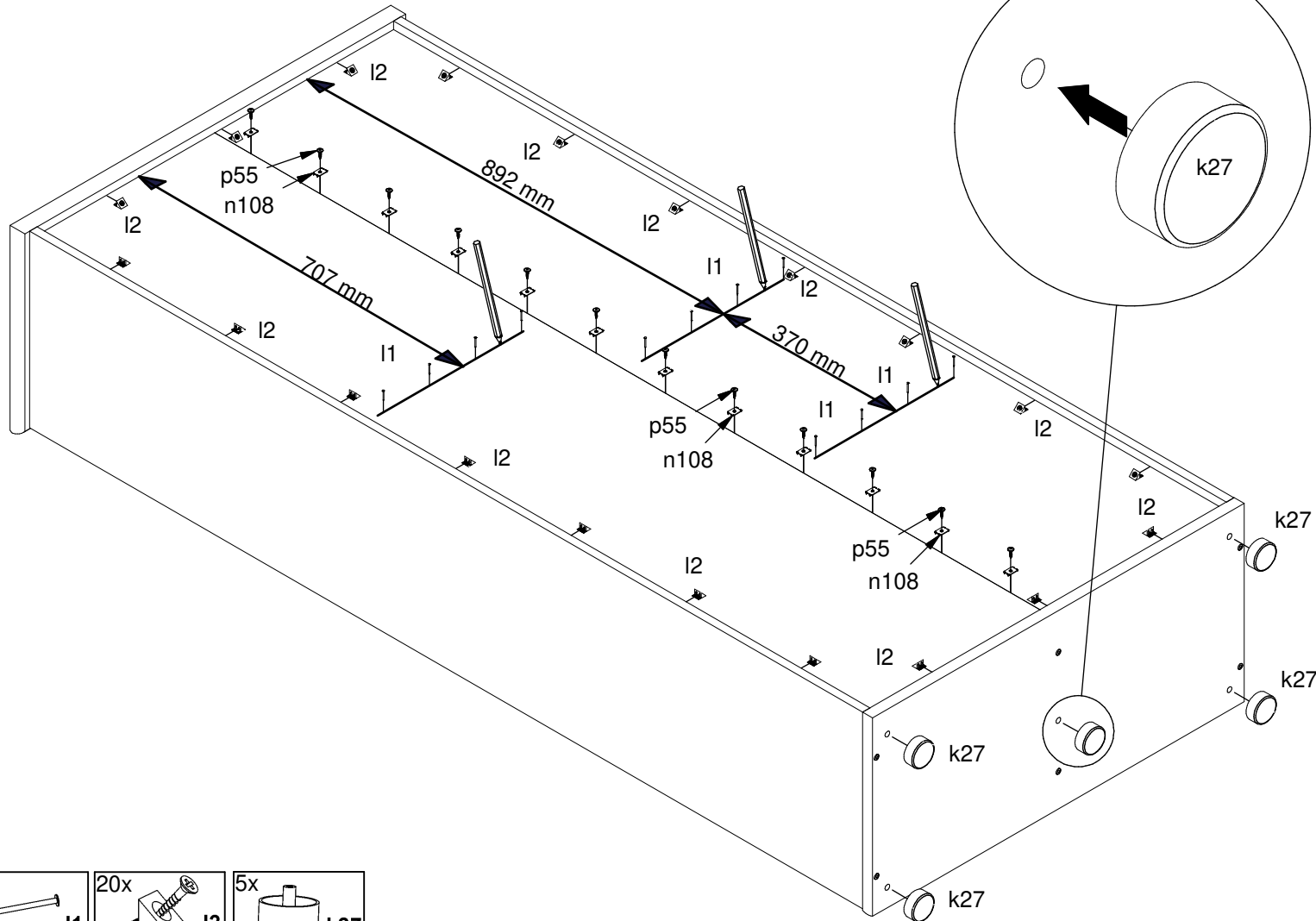
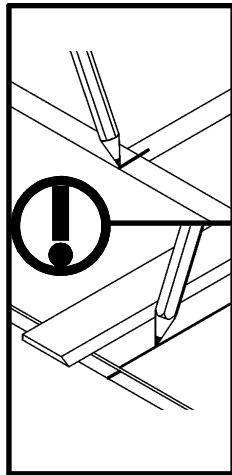


5





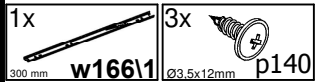
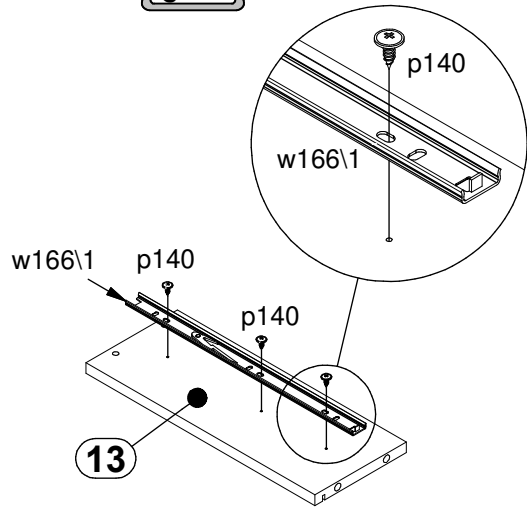
7



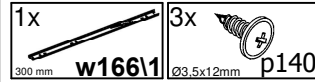
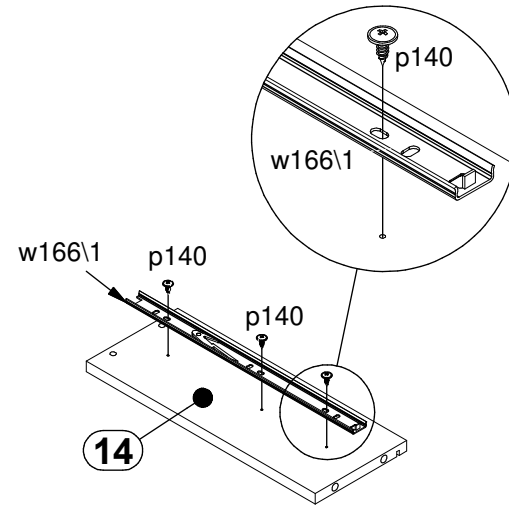
12



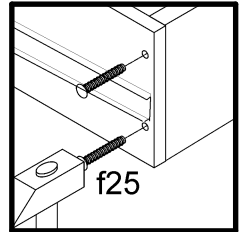
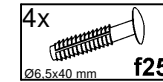
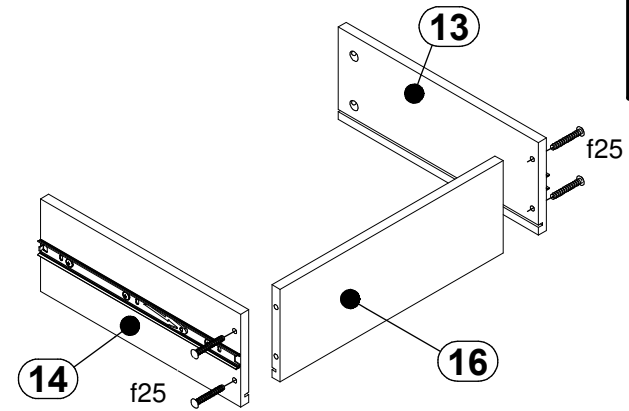
I



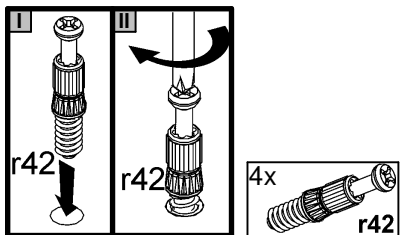
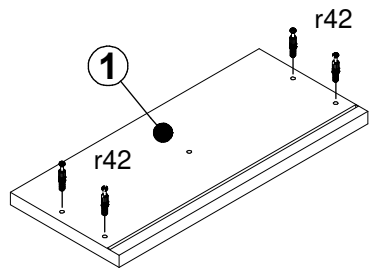
II



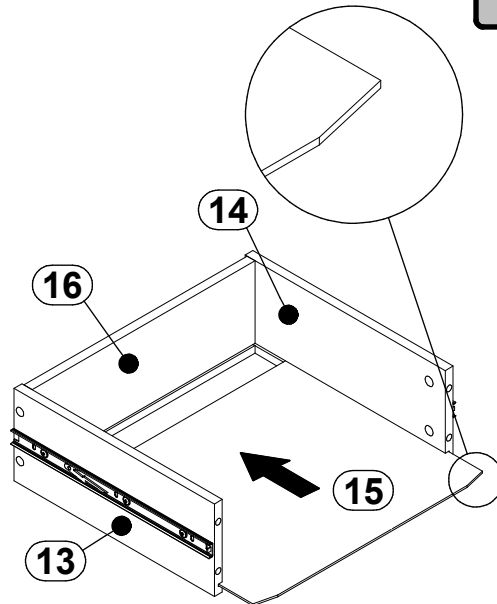
III



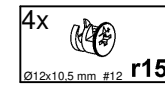
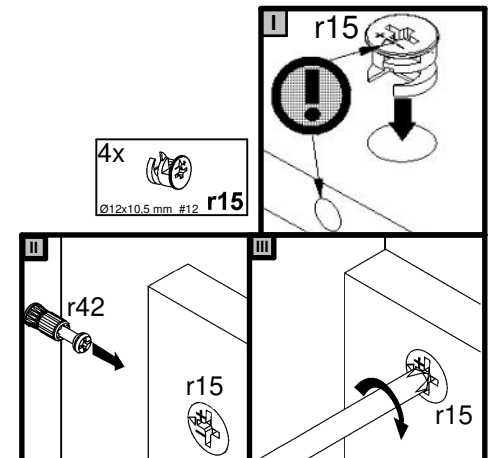
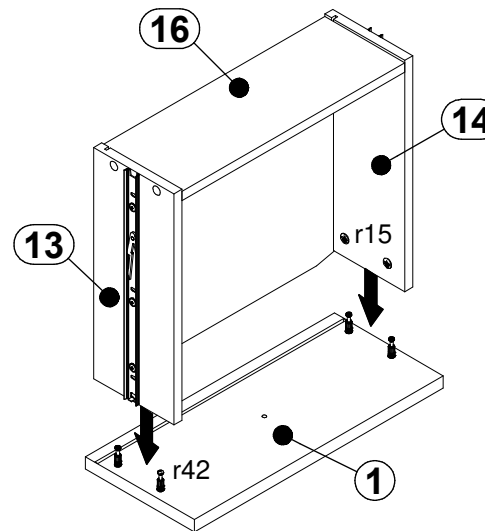
IV



V

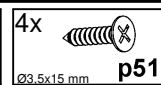
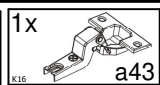
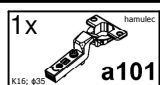
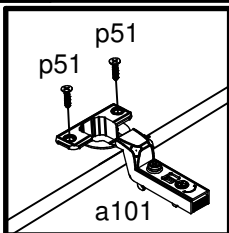
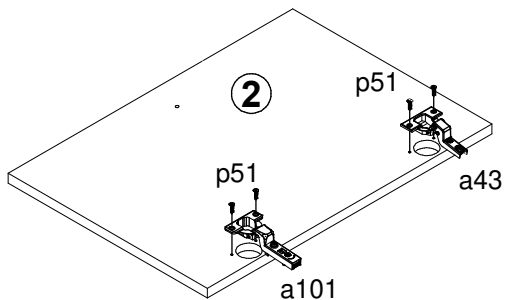
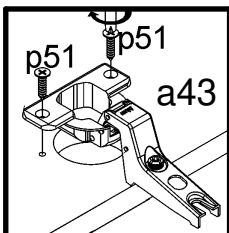
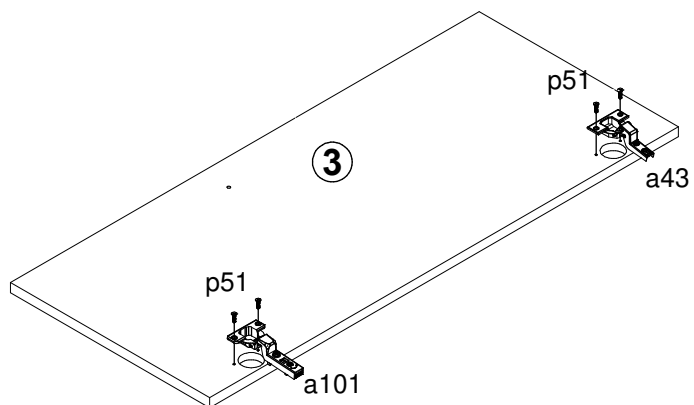
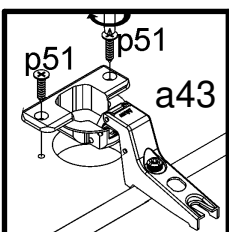
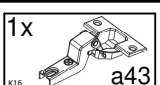
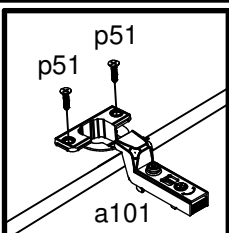
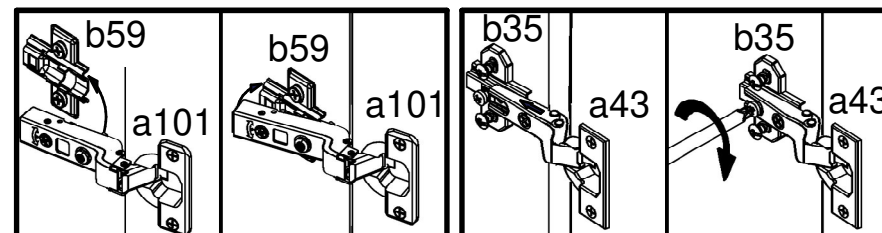
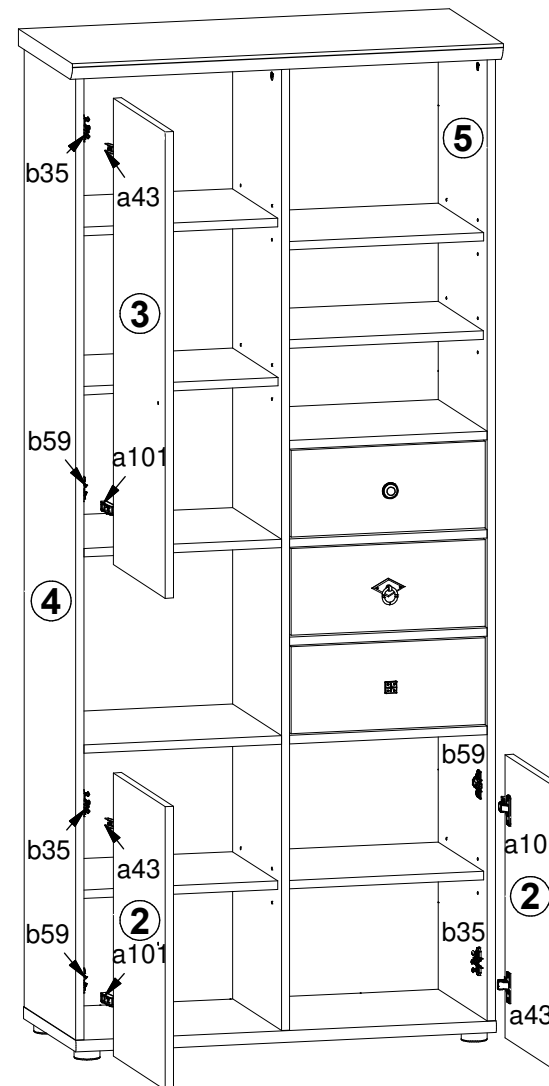


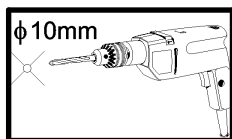
VI



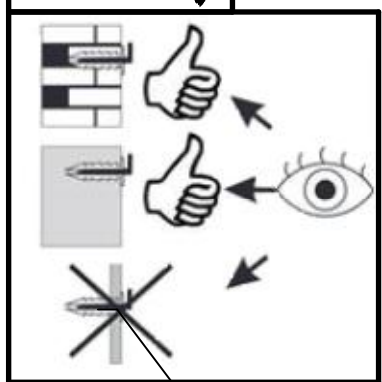
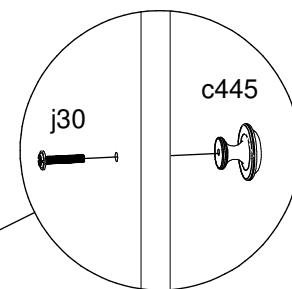
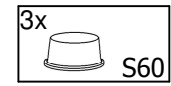
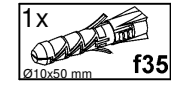
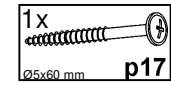
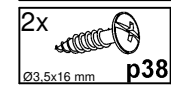
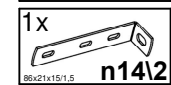
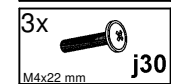
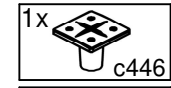
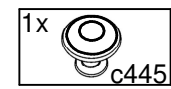
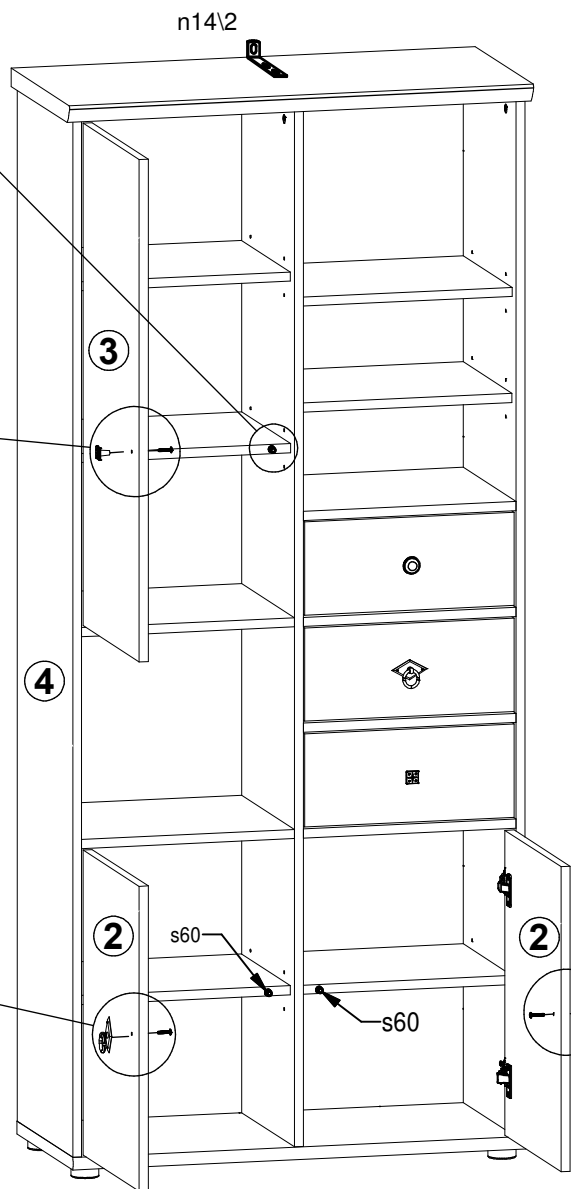
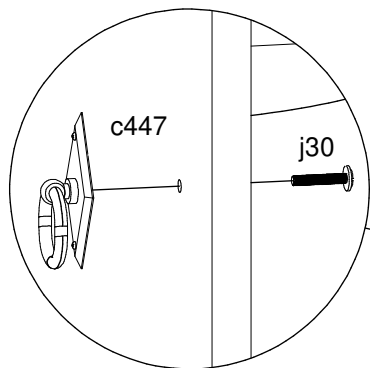
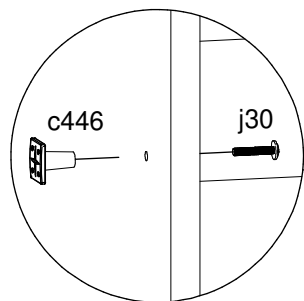
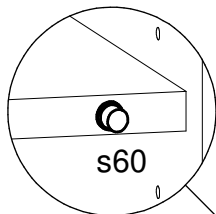
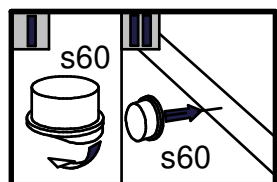
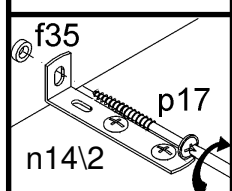
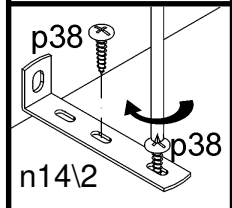
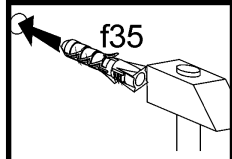
A**S248-REG3D3S/19/8****10D0--02**

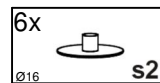
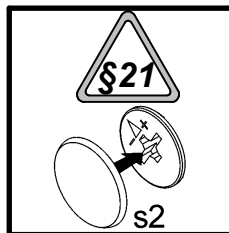
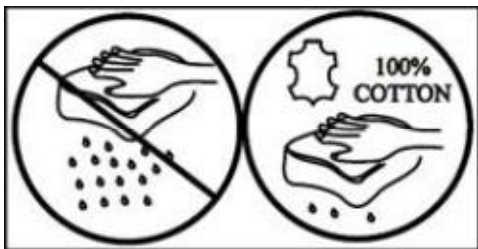
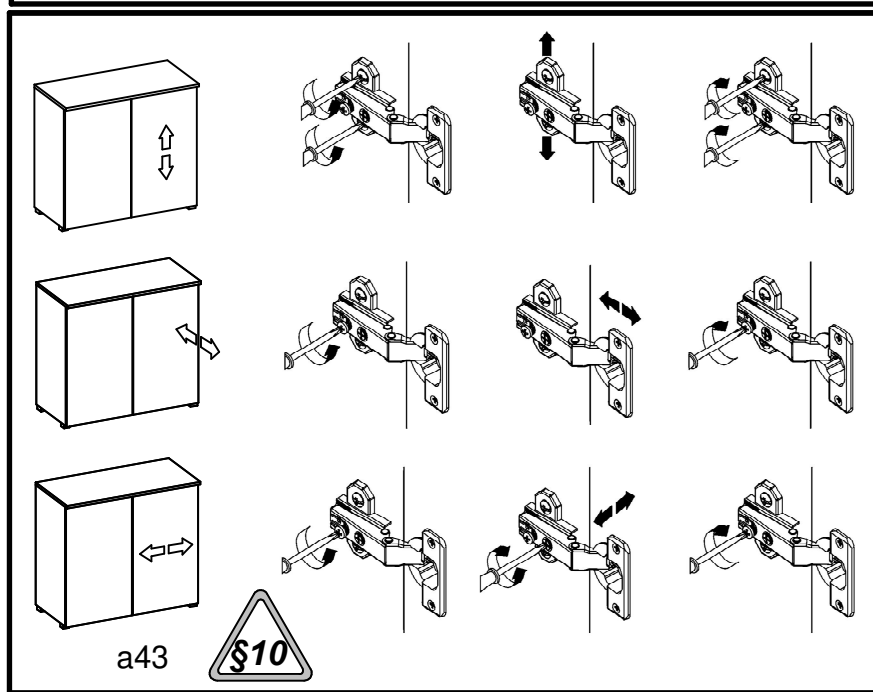
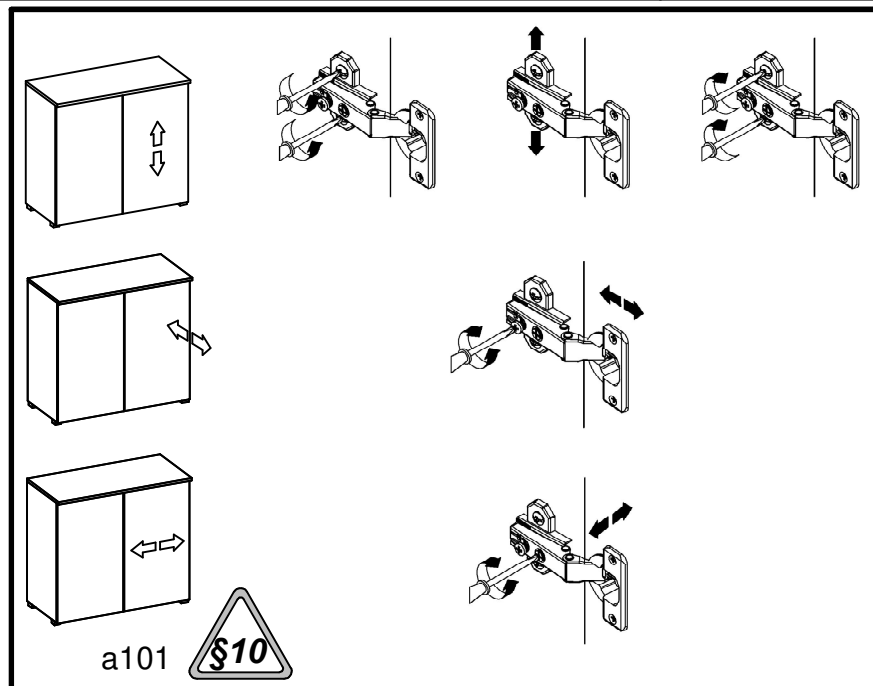
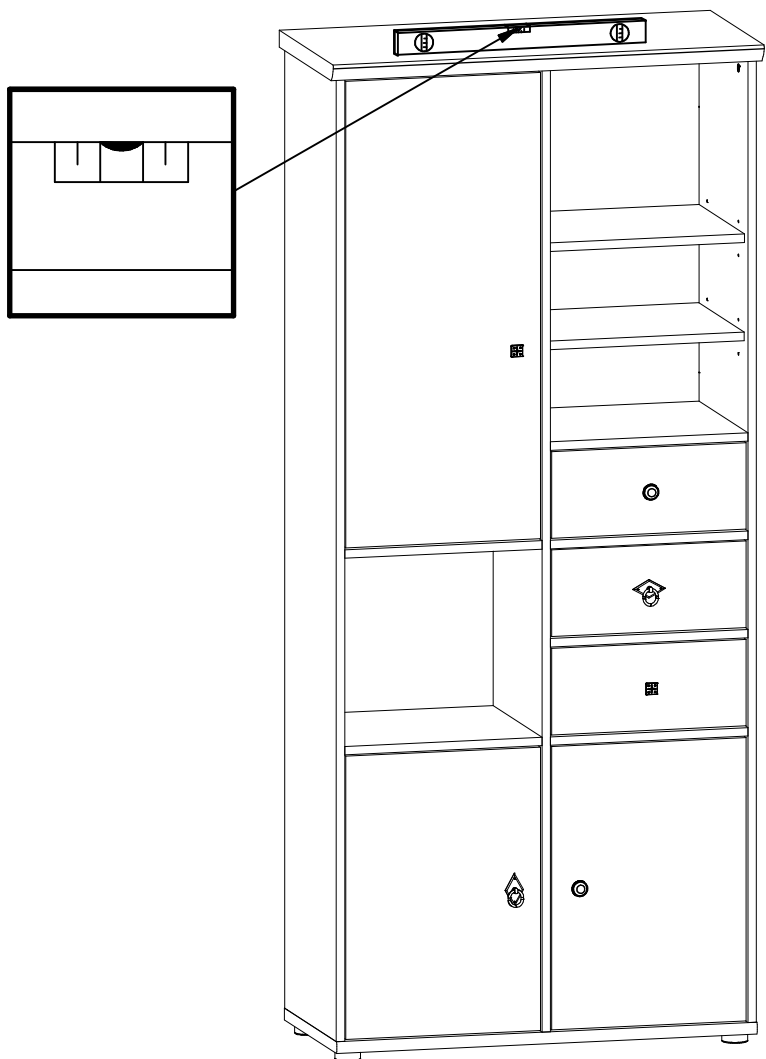
13 / 15

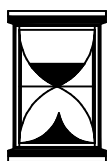
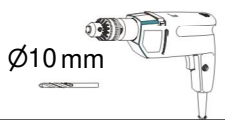
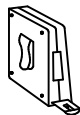
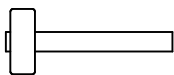
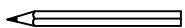
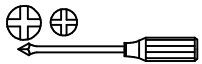
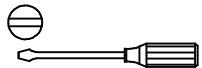
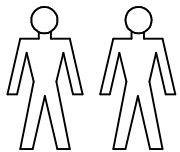
**14****2x****15**



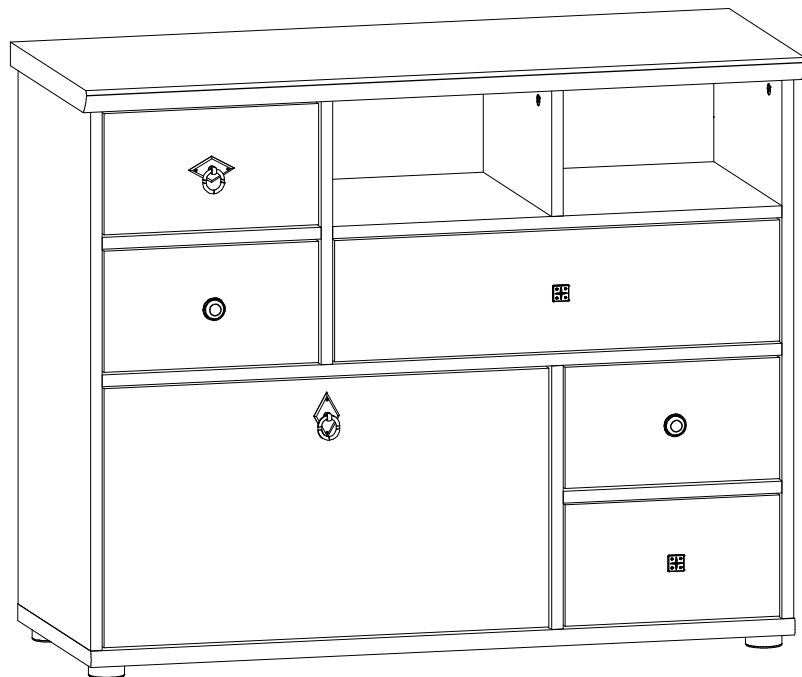
16







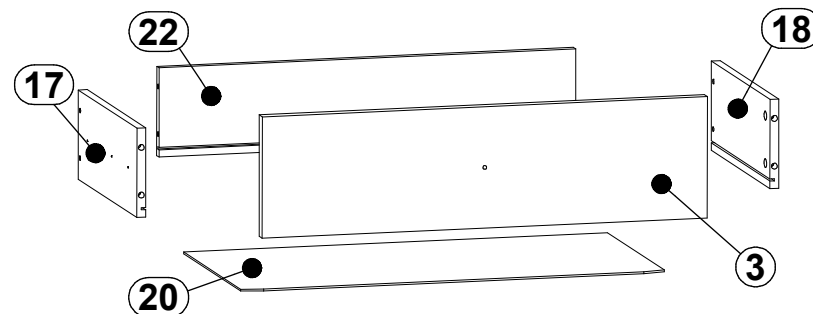
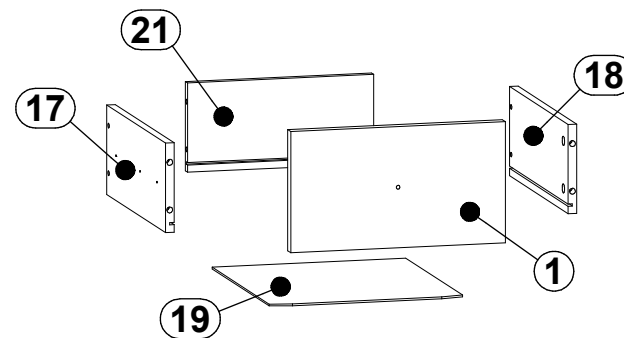
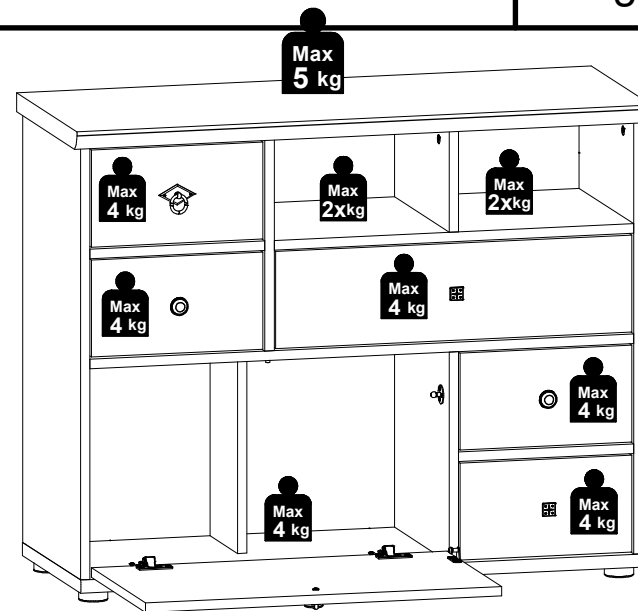
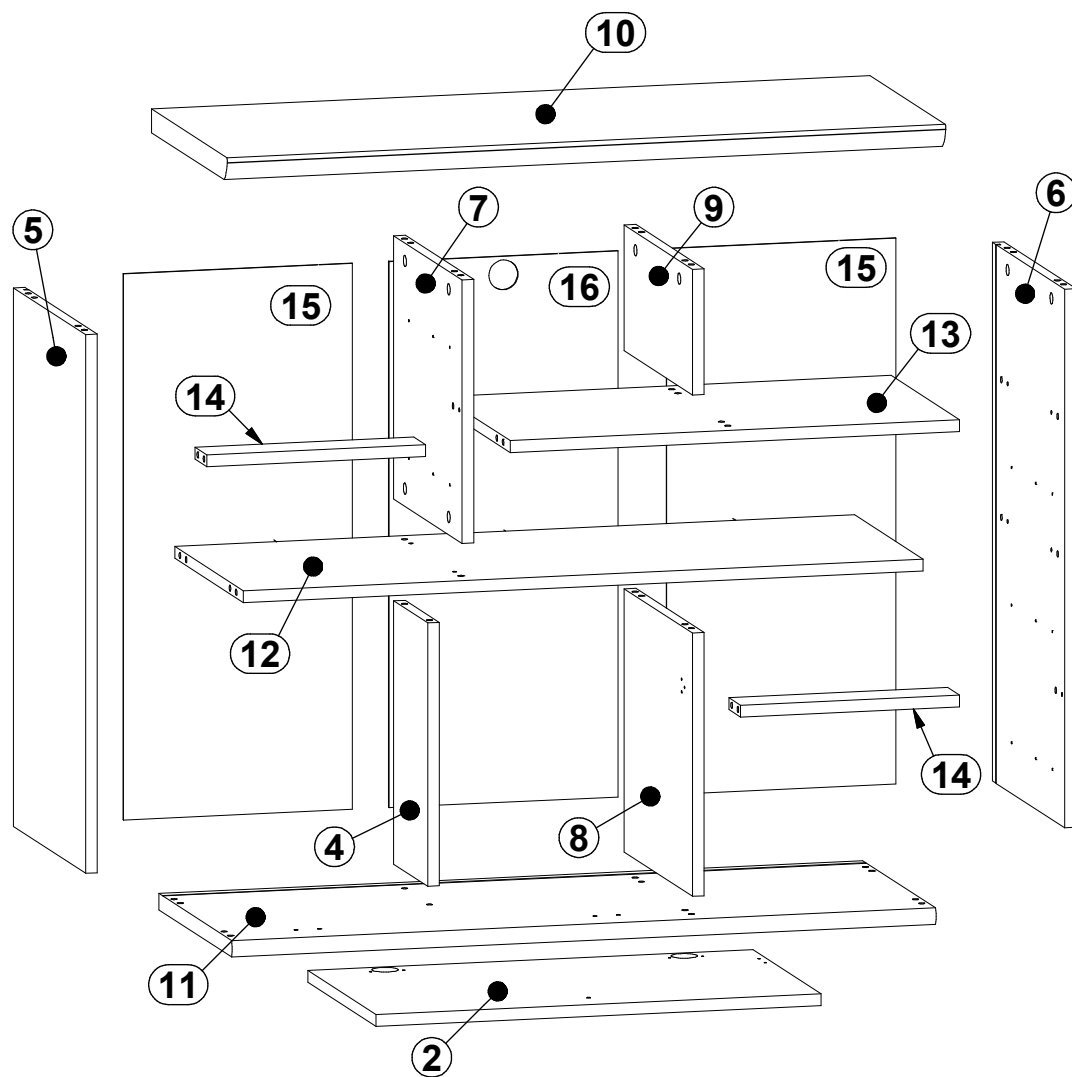
90min

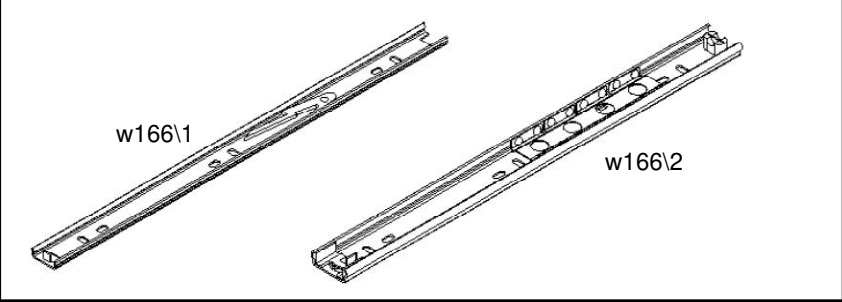
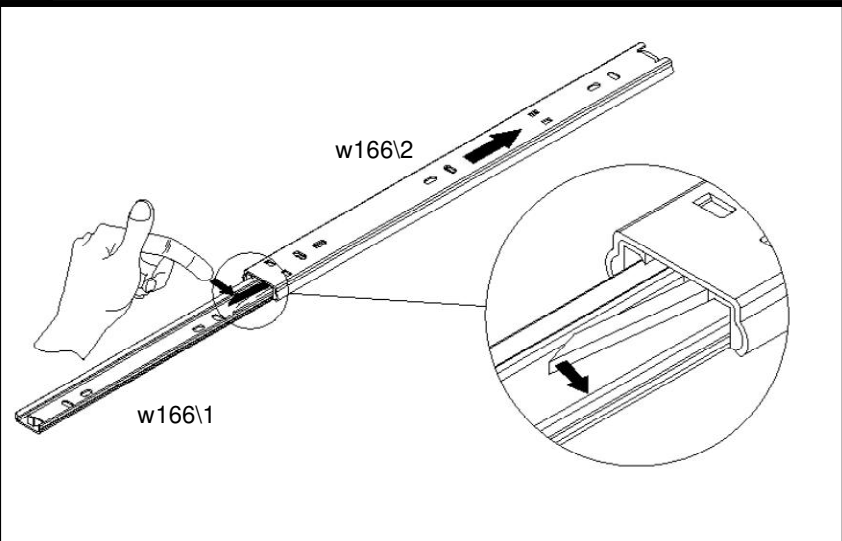


A	B	C (mm)		D
1	S248-0009	163	294	2/2
2	S248-0010	610	348	2/2
3	S248-0016	163	610	2/2
4	S248-1013	354	175	2/2
5	S248-1014	724	370	2/2
6	S248-1015	724	370	2/2
7	S248-1016	354	350	2/2
8	S248-1017	354	350	1/2
9	S248-1018	169	350	2/2
10	S248-2004	985	388	1/2
11	S248-2005	965	375	1/2
12	S248-3010	932	350	1/2
13	S248-3011	616	350	1/2
14	S248-4003	300	60	1/2
15	S248-9003	734	314	2/2
16	S248-9005	734	314	2/2
17	WSK3-503	300	120	1/2
18	WSK3-504	300	120	1/2
19	WSP-9090	265	298	1/2
20	WSP-9091	581	298	1/2
21	WTR-5026	255	120	1/2
22	WTR-5027	571	120	1/2

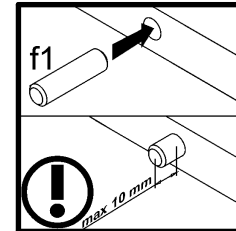
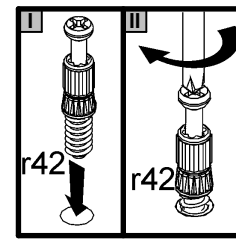
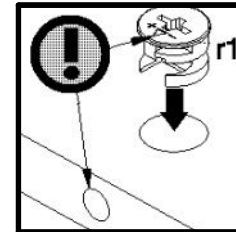
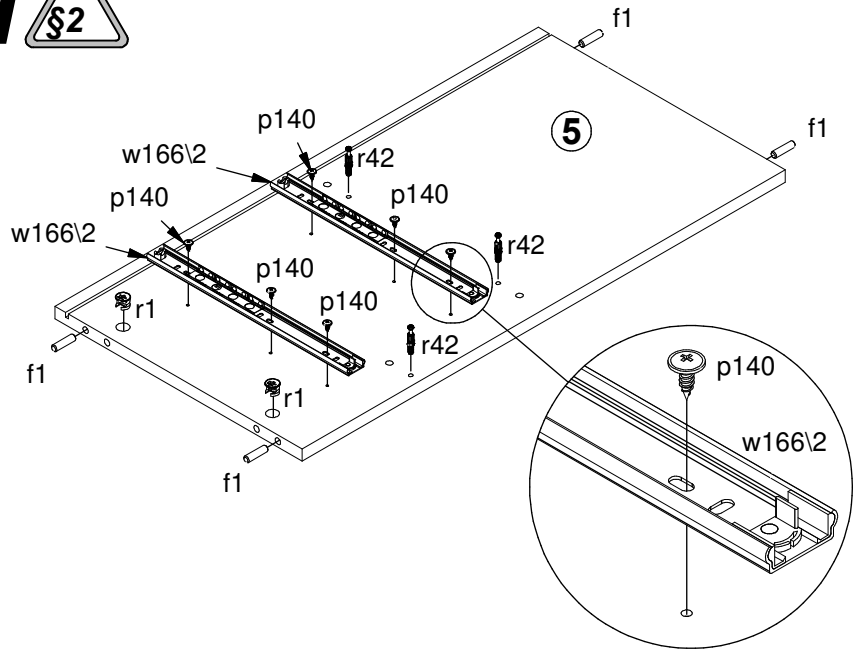




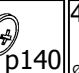
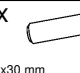
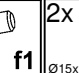
2x a43	2x b35	2x c445	2x c446	2x c447	1x Ø6,3x15 mm d4	8x Ø7x50 mm e1	34x Ø8x30 mm f1	1x Ø8x50 mm f6	20x Ø6,5x40 mm f25	6x M4x22 mm j30	6x k27	8x l1
14x i2	1x m56\1	1x m57\1	1x m57\3	10x 20x13x3,5\1 n108	2x Ø3,5x16 mm p25	9x Ø3,5x15 mm p51	10x Ø2,9x16 mm p55	60x Ø3,5x12mm p140	24x Ø15x12 mm #16 r1	20x Ø12x10,5 mm #12 r15	44x r42	4x s2
1x 283 mm t18	5x 300 mm w166\1	5x 300 mm w166\2	1x z1	1x Ø10x50 mm f35 1x 88x21x15,5 n14\2 1x Ø5x60 mm p17 2x Ø3,5x16 mm p38								

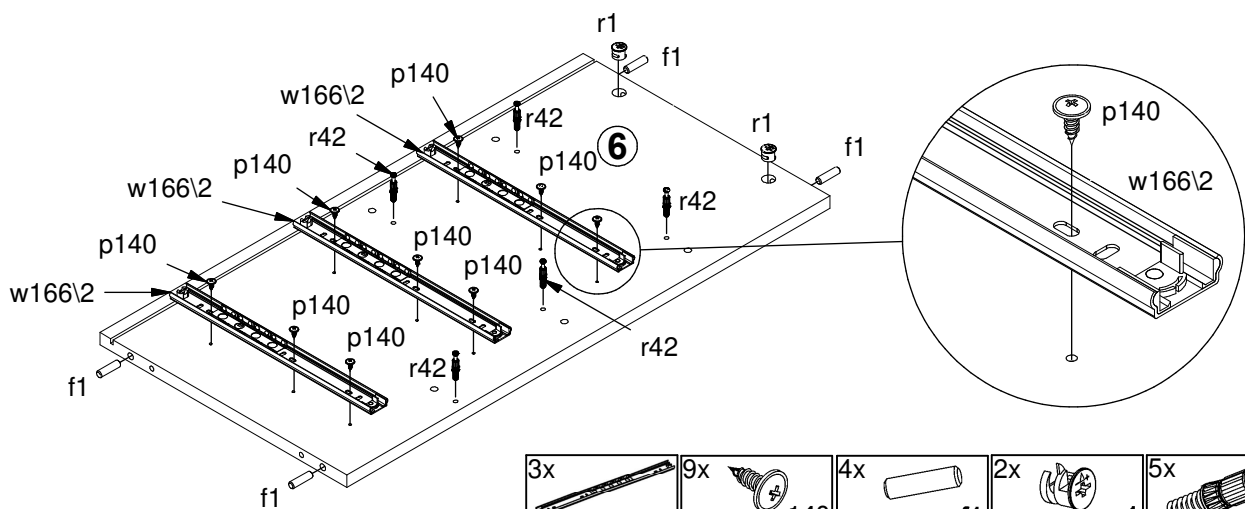
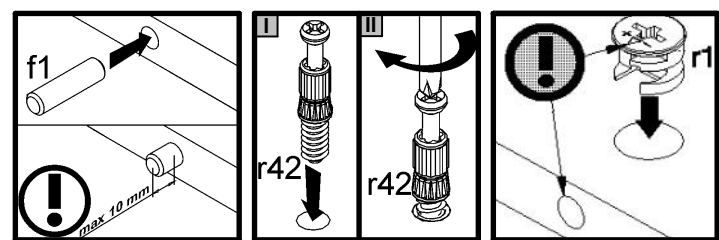



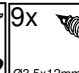

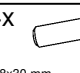
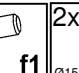


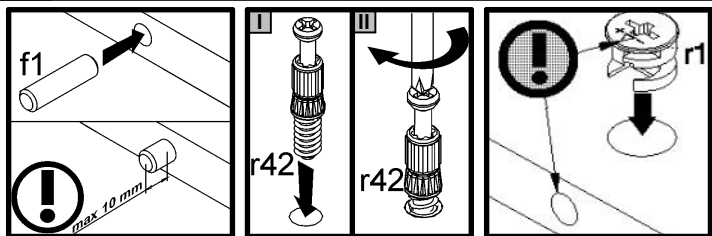
1 



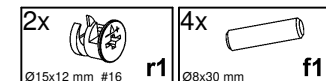
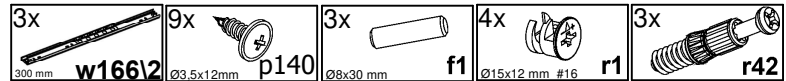
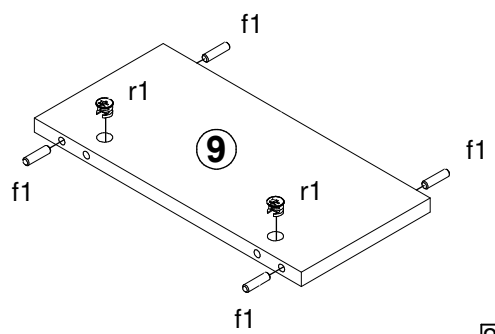
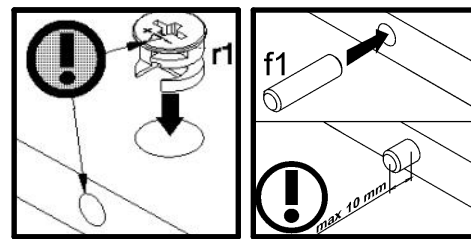
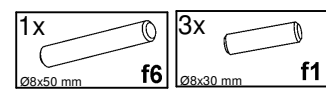
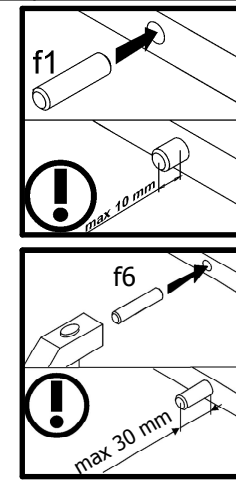
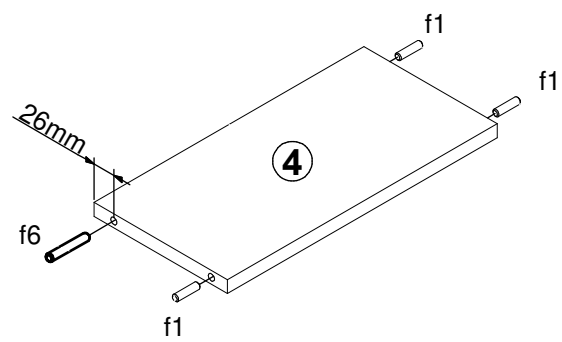
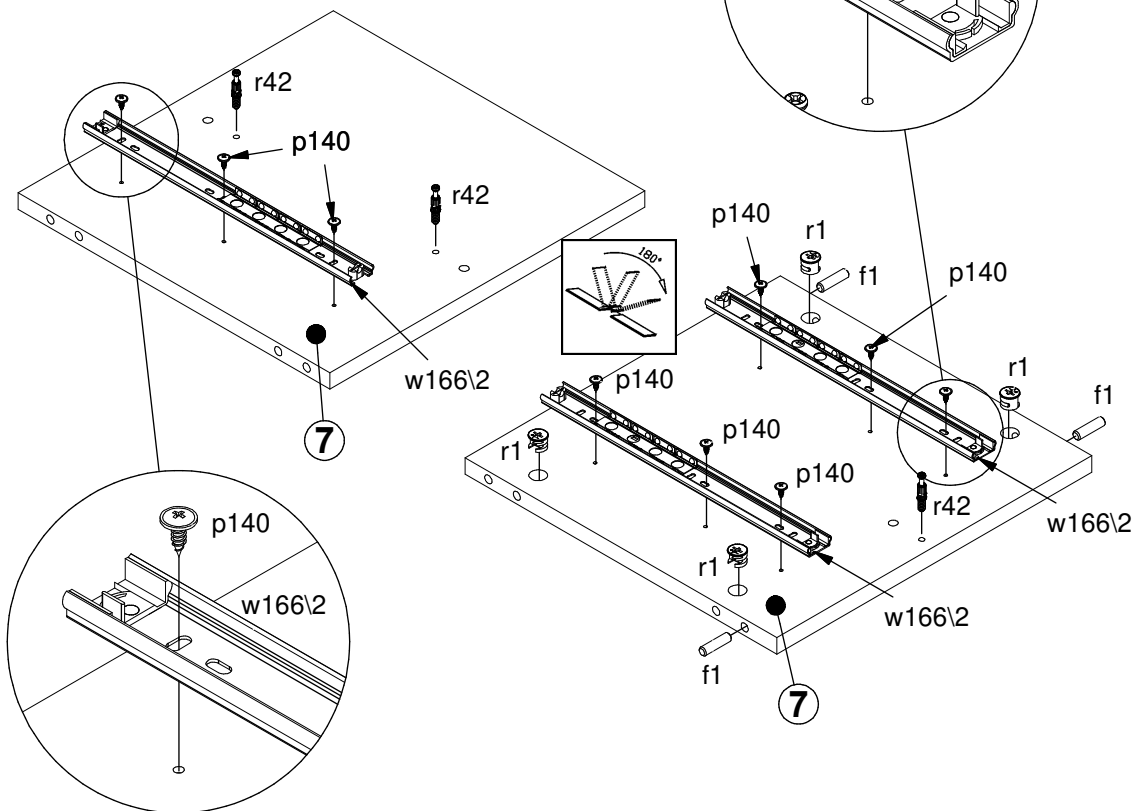
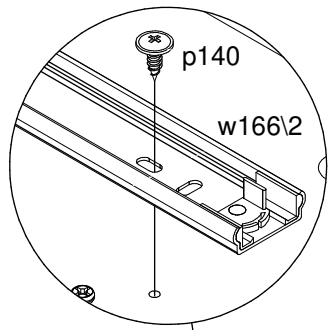
- 2x

300 mm
w166\2
- 6x

Ø3,5x12mm
p140
- 4x

Ø8x30 mm
f1
- 2x

Ø15x12 mm #16
r1
- 3x

r42

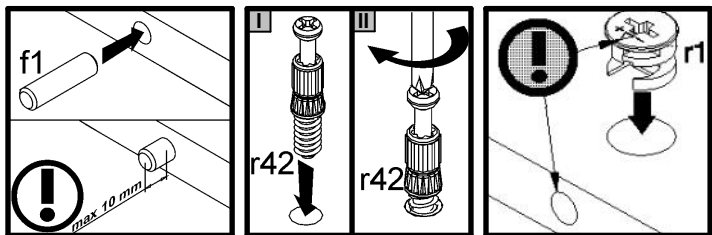


- 3x

300 mm
w166\2
- 9x

Ø3,5x12mm
p140
- 4x

Ø8x30 mm
f1
- 2x

Ø15x12 mm #16
r1
- 5x

r42

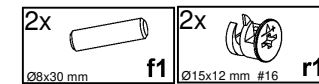
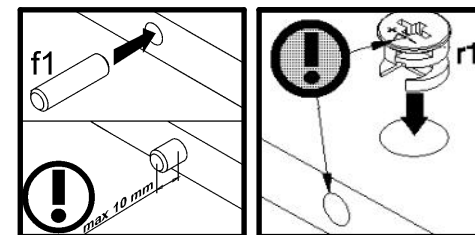
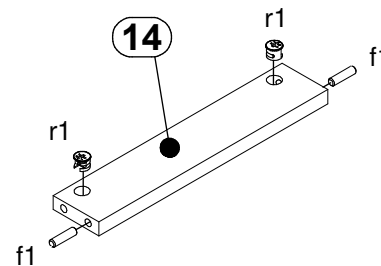
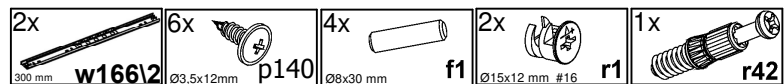
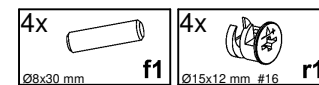
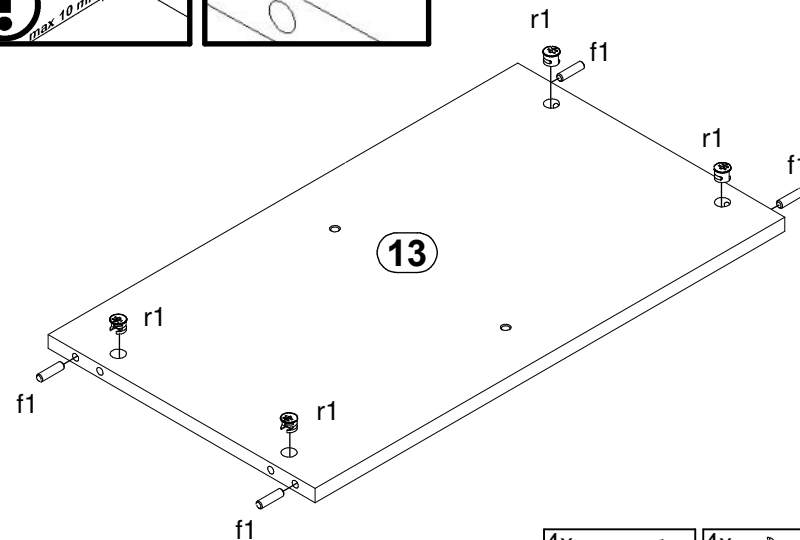
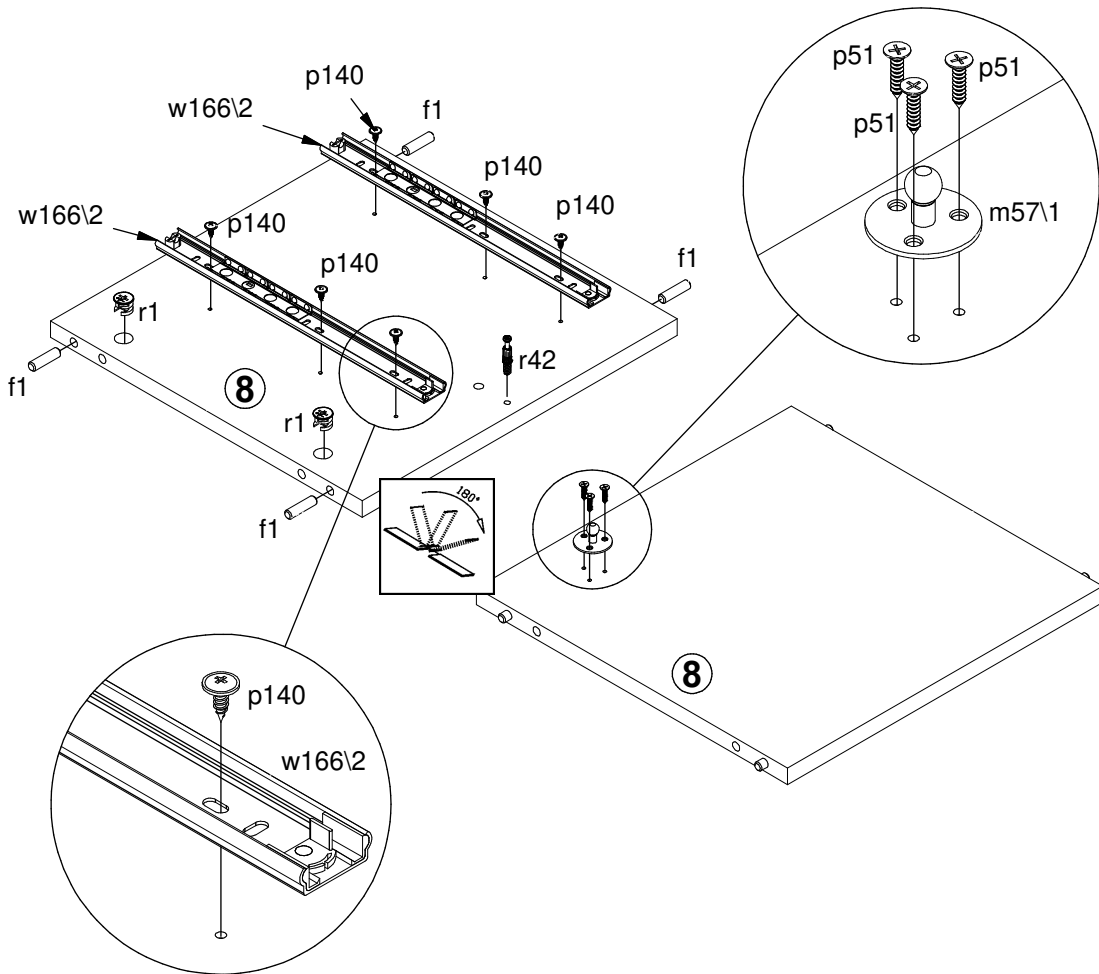
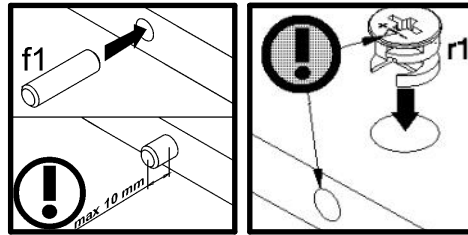


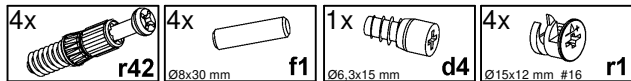
1



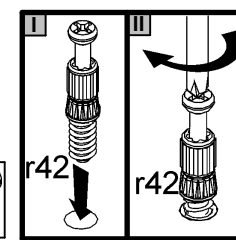
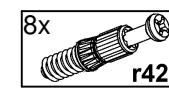
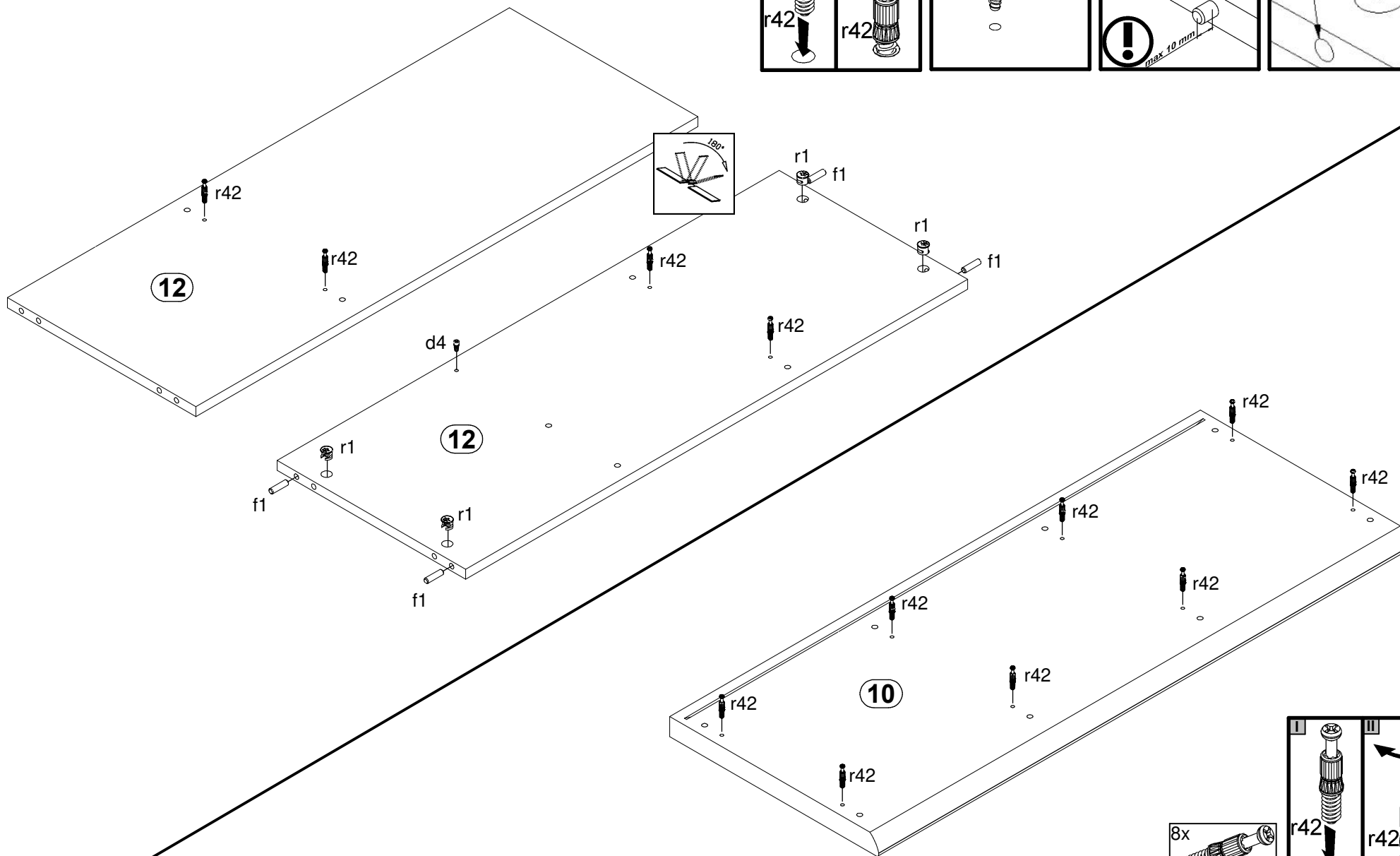
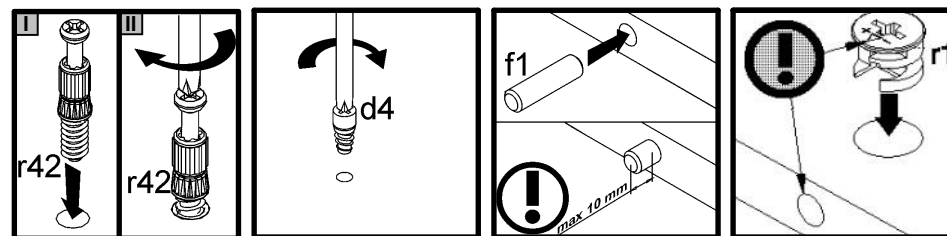


1

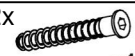


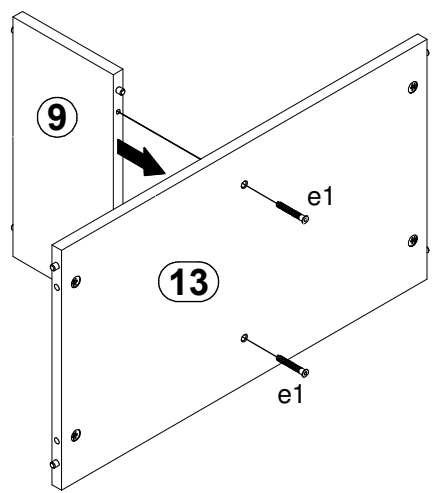
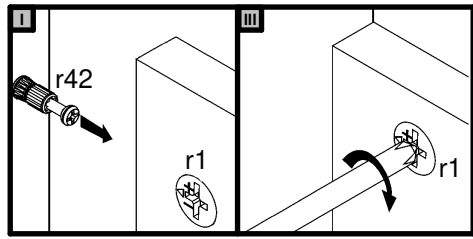
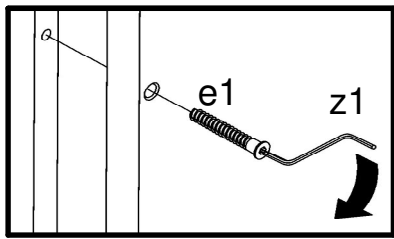


1

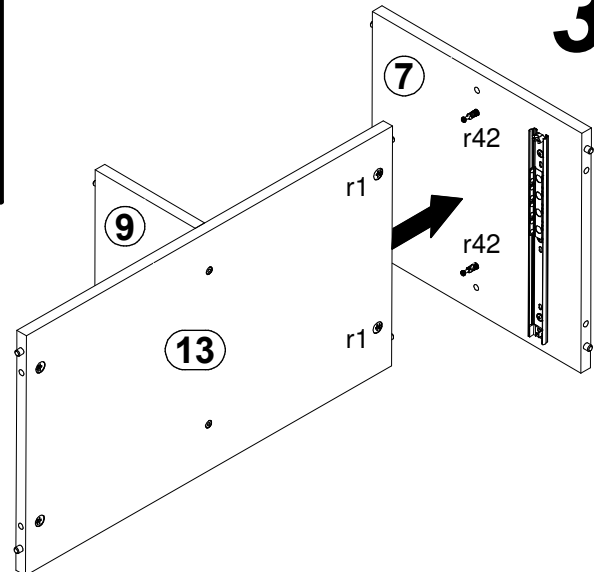


2 

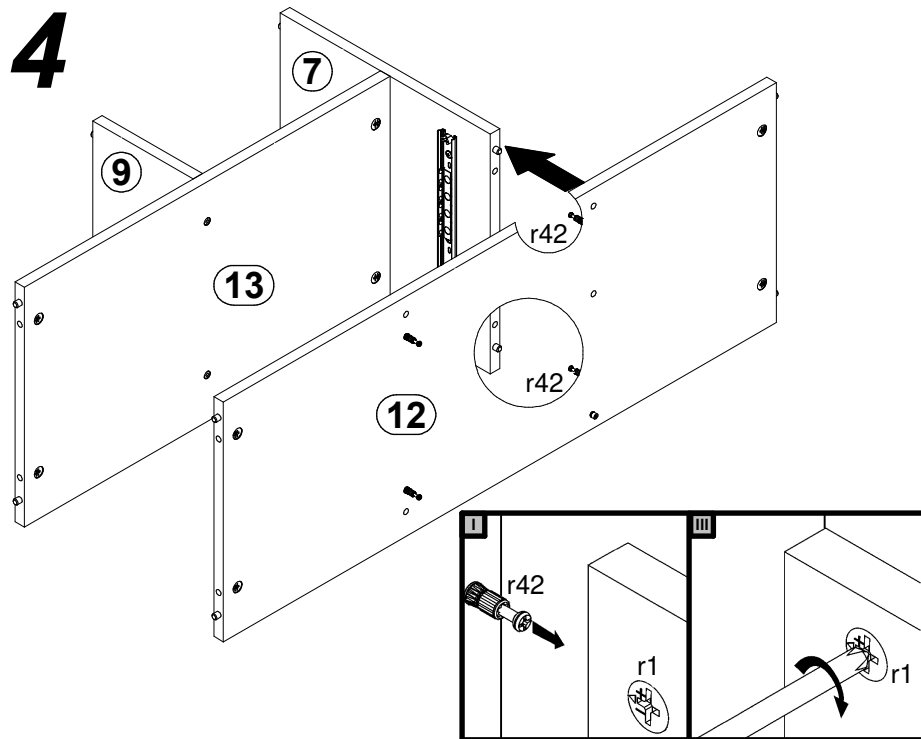
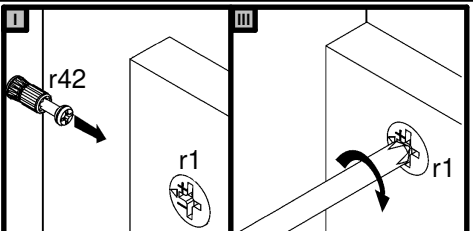
2x  e1
Ø7x50 mm



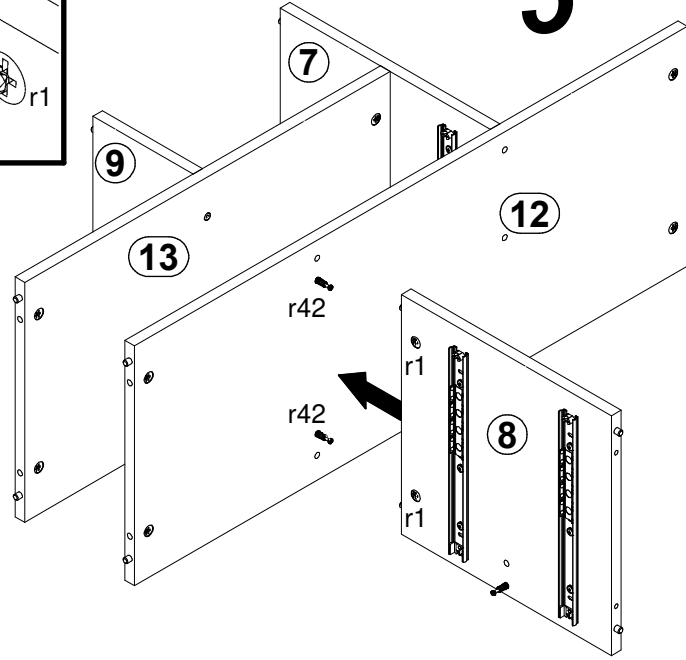
3



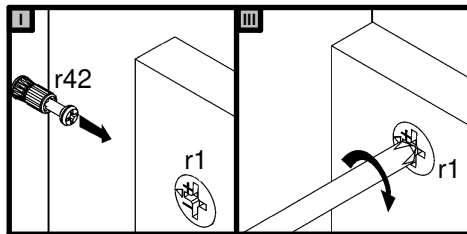
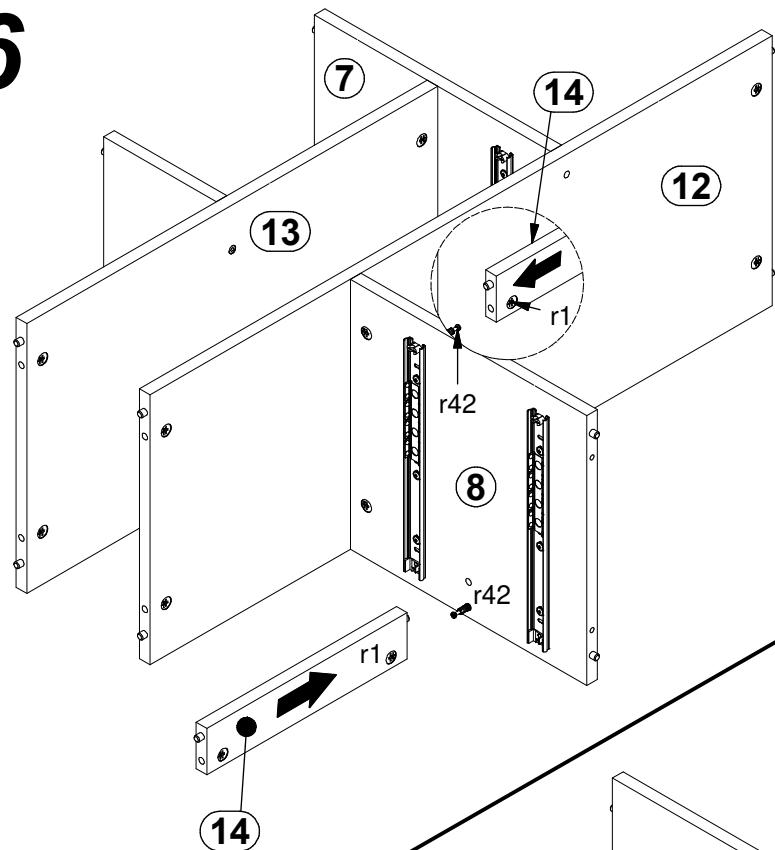
4



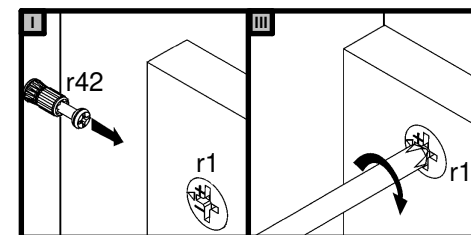
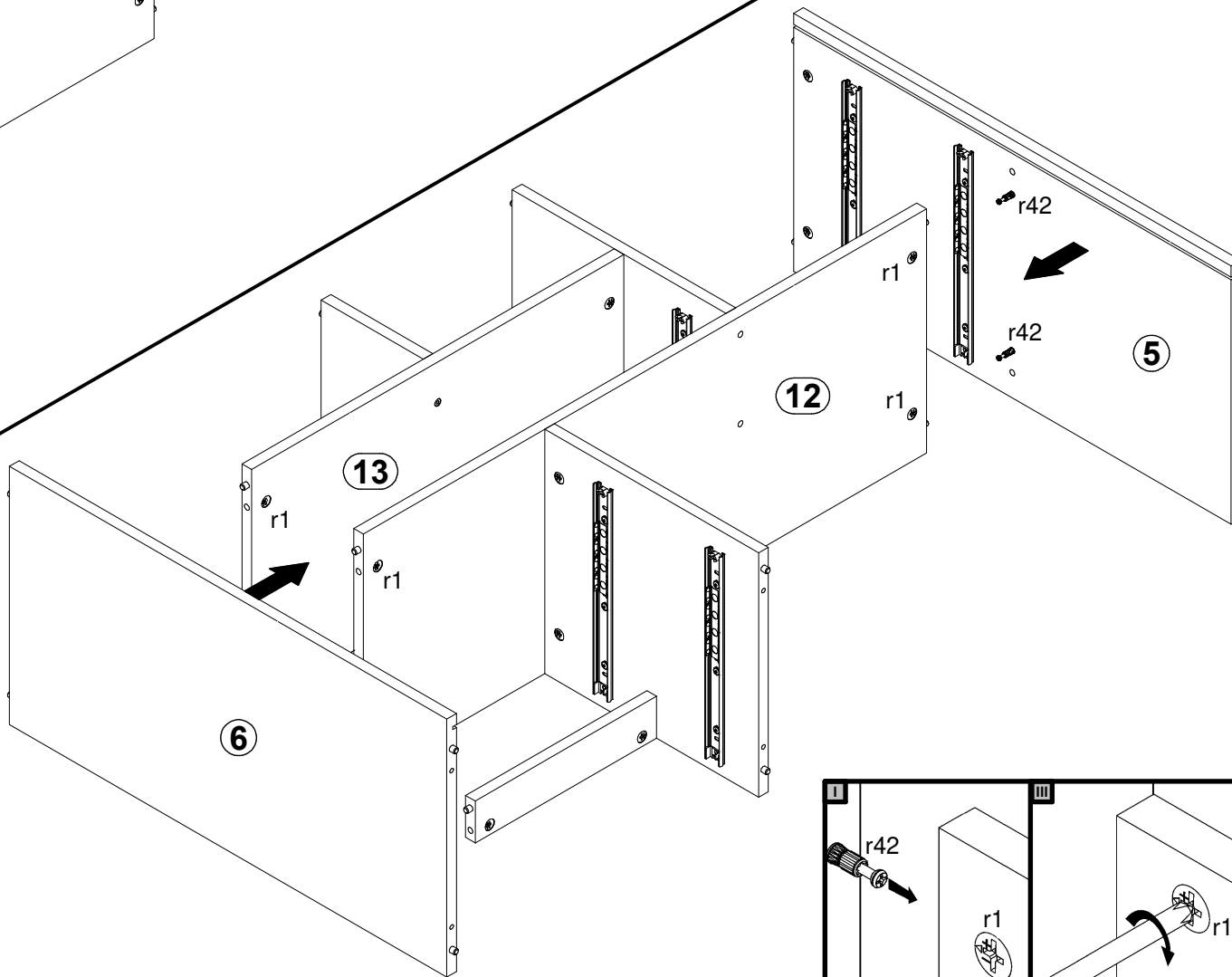
5

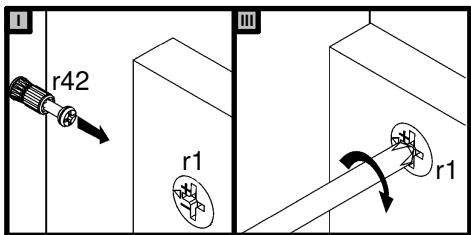


6

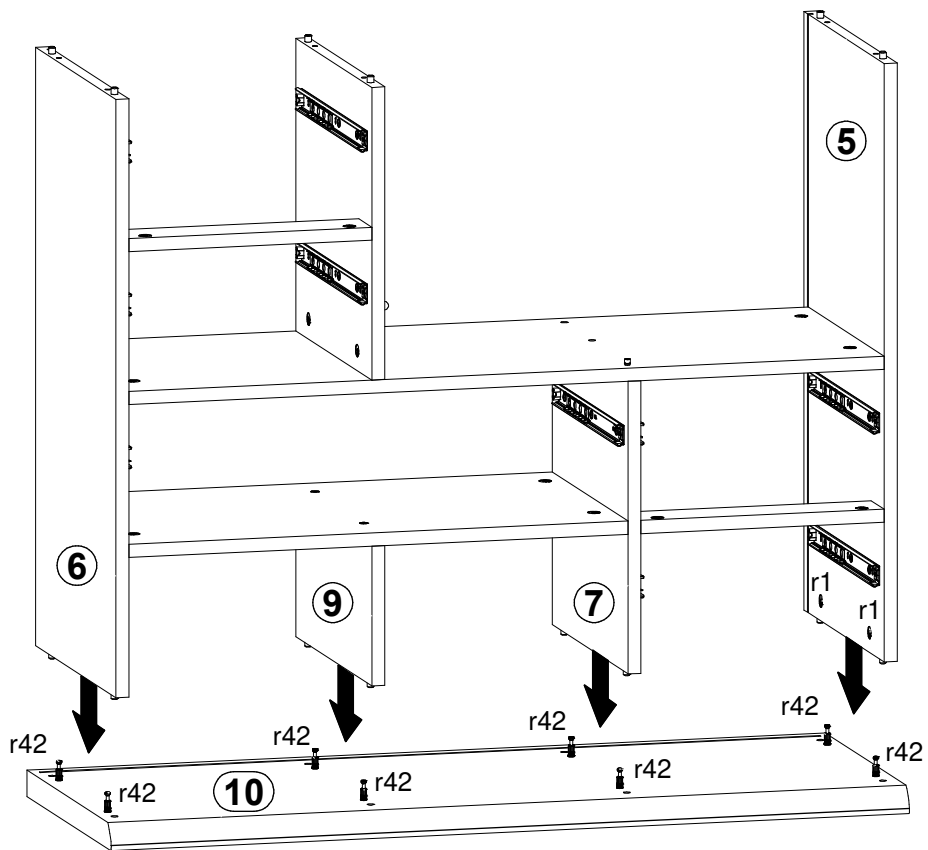


7

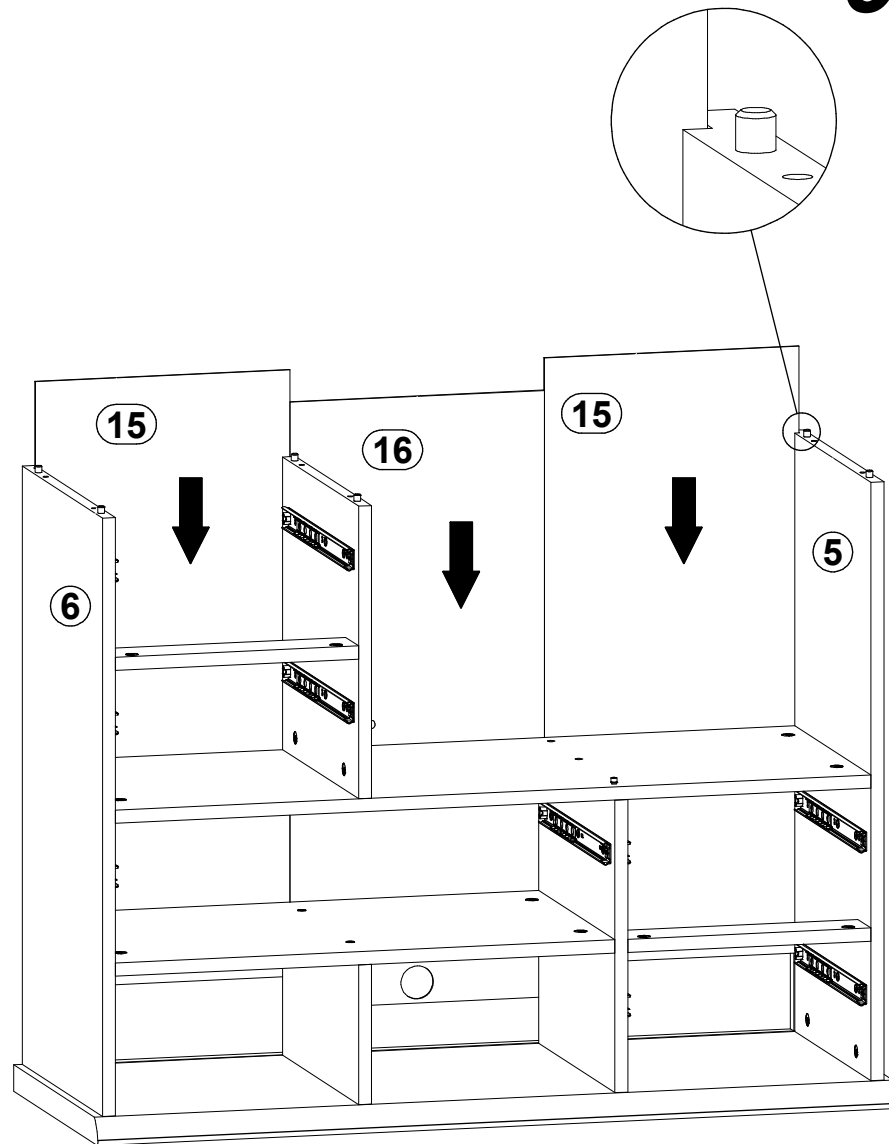


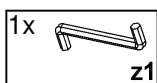
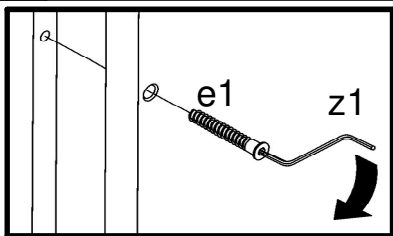


8

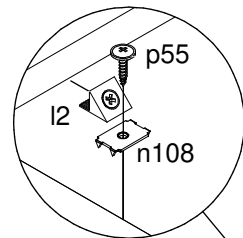
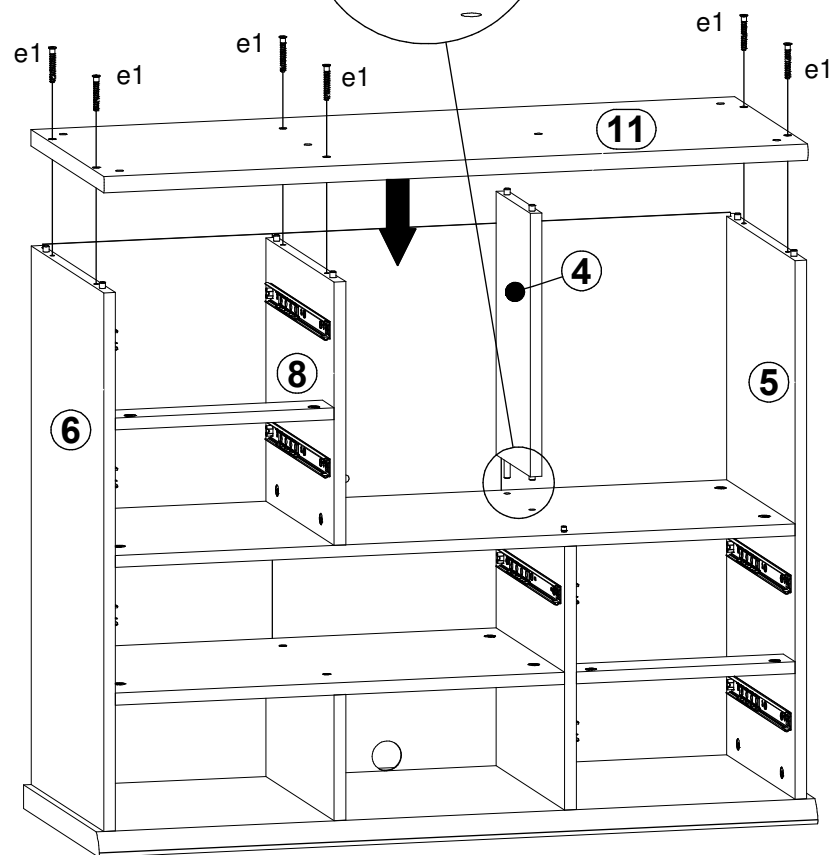
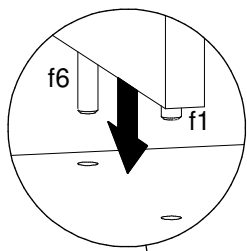
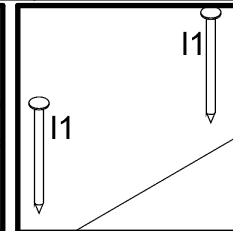
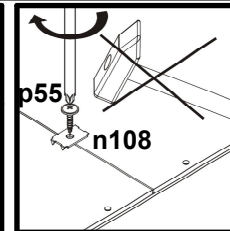
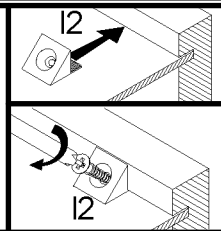
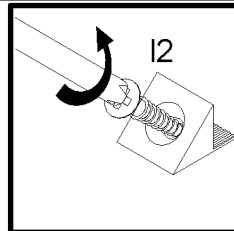
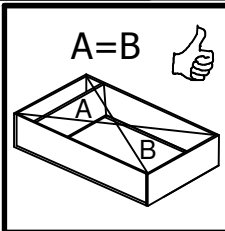


9

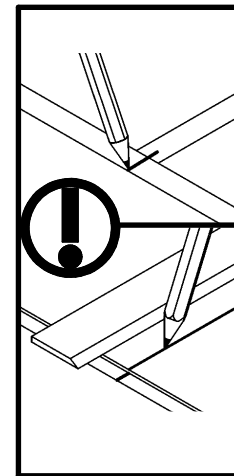
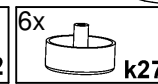
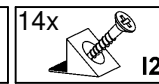
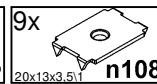
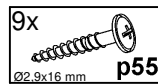
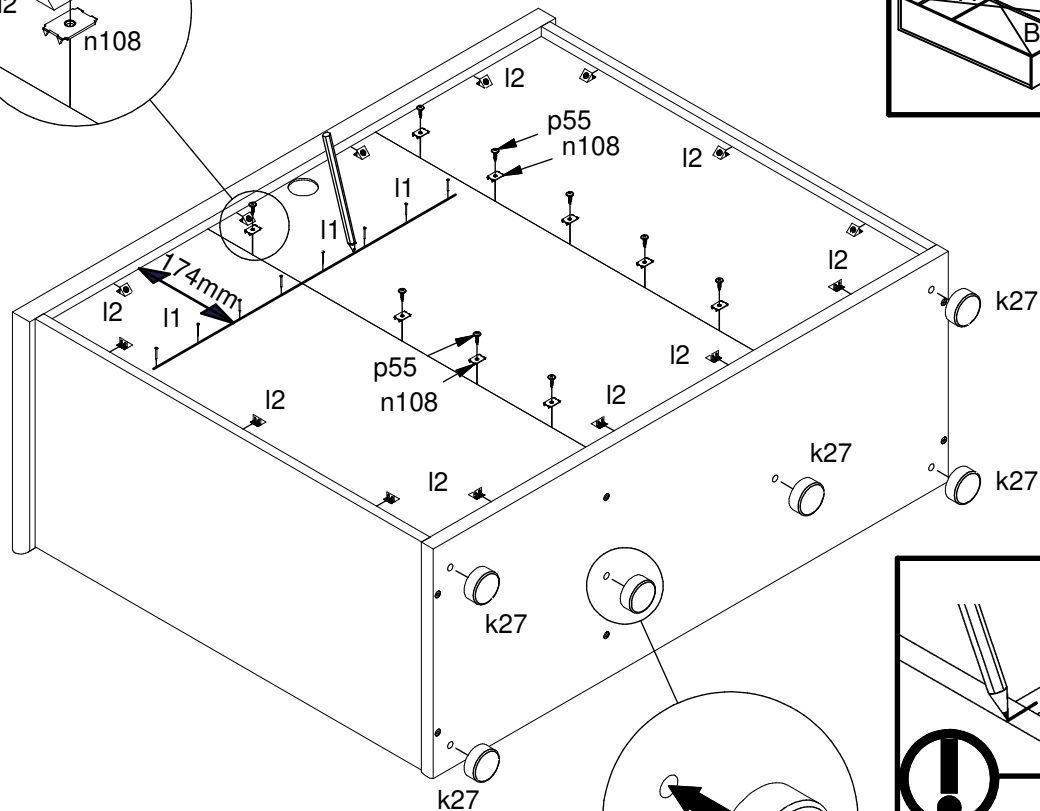
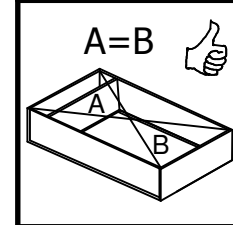




10



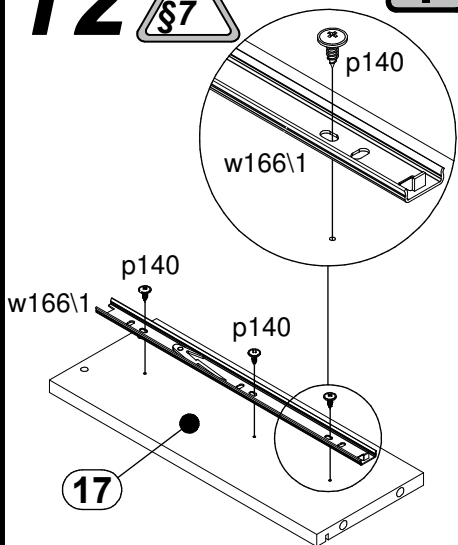
11



12

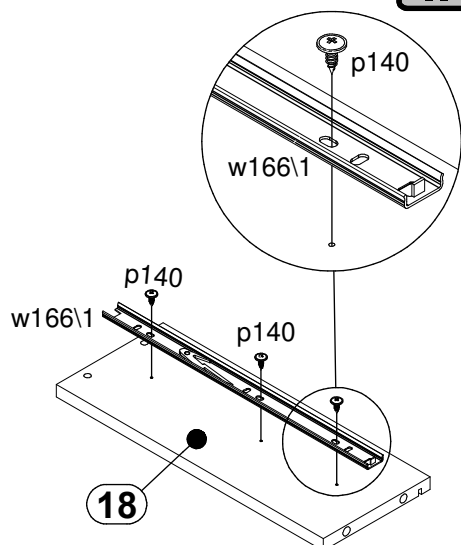


I



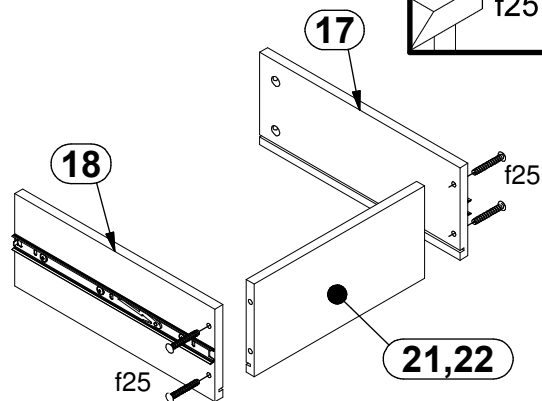
- 1x 300 mm w166\1
- 3x Ø3,5x12mm p140

II



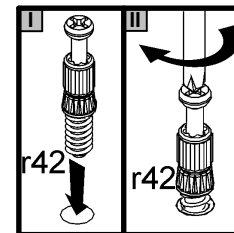
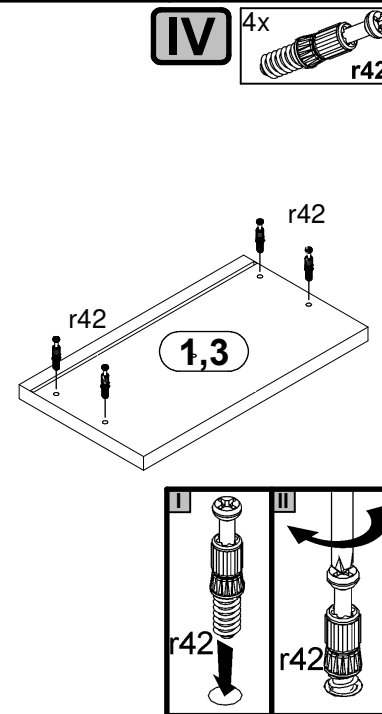
- 1x 300 mm w166\1
- 3x Ø3,5x12mm p140

III



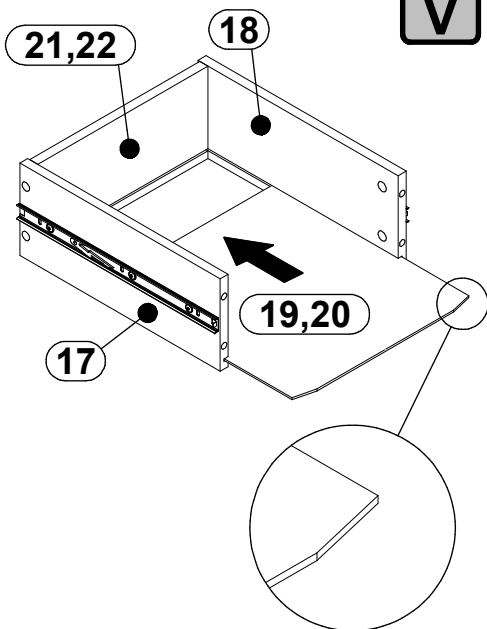
- 4x Ø6,5x40 mm f25

IV

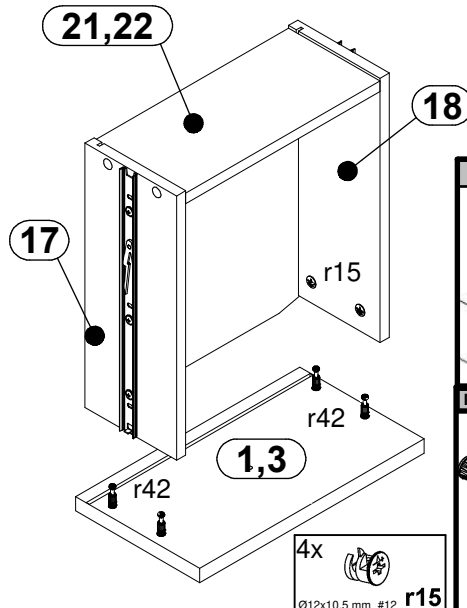


- 4x r42

V

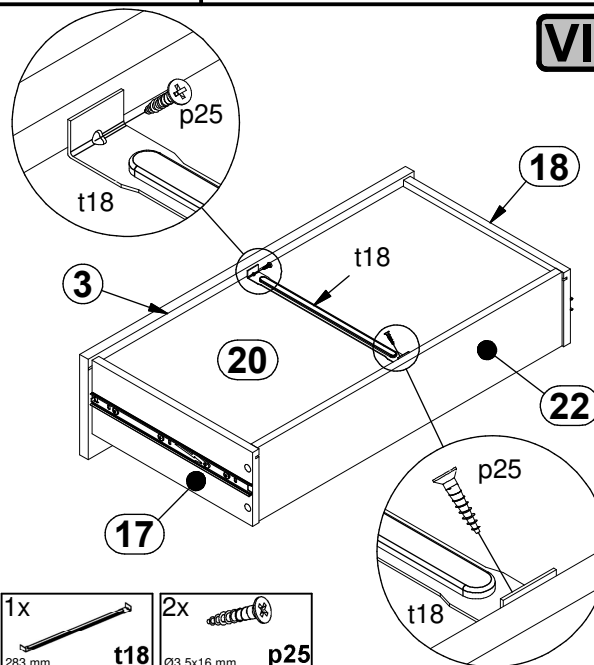


VI





- 4x Ø12x10,5 mm #12 r15

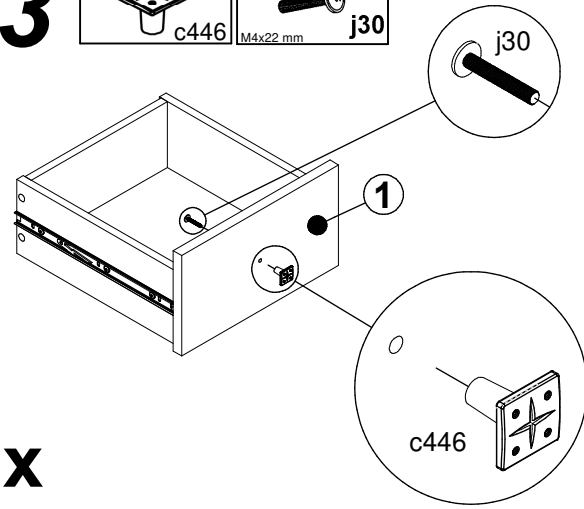
VII




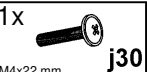
- 1x 283 mm t18
- 2x Ø3,5x16 mm p25

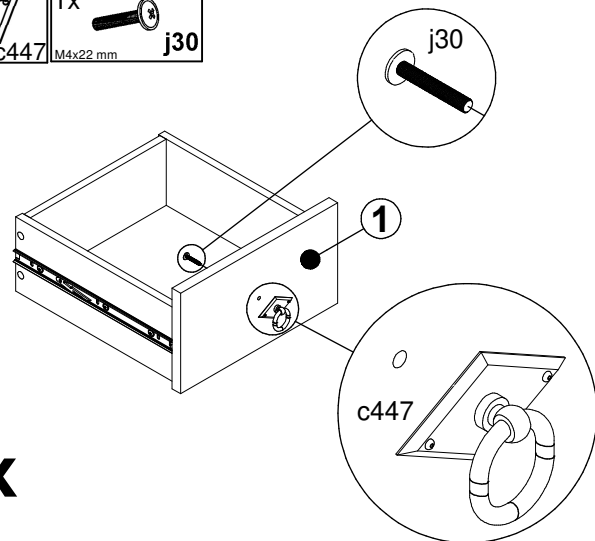
13

- 1x  c446
- 1x  j30





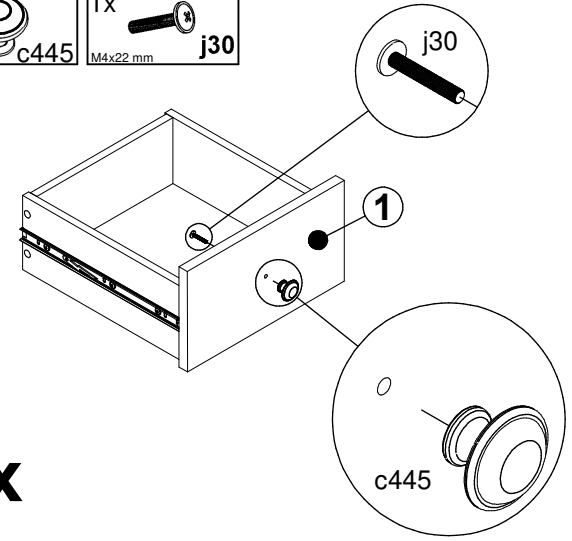
1x

- 1x  c447
- 1x  j30





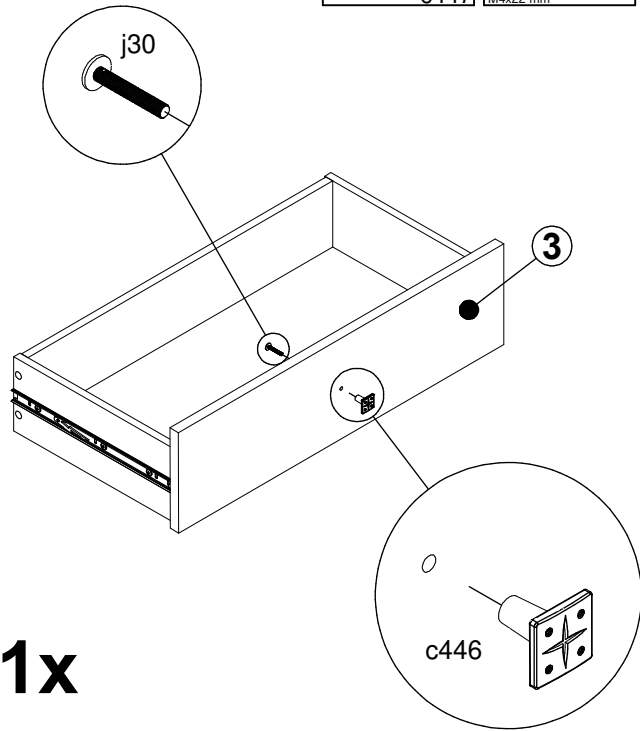
1x

- 1x  c445
- 1x  j30

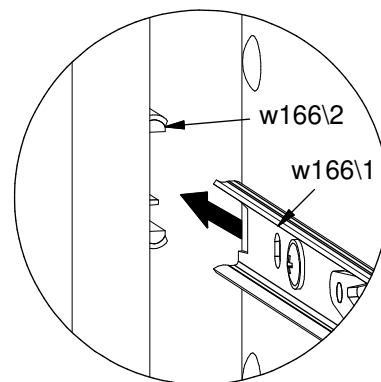


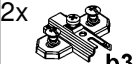
2x

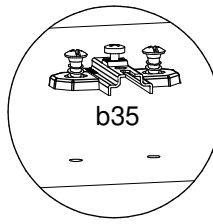
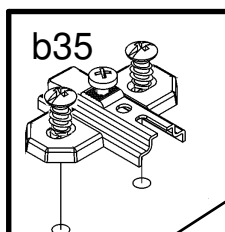
- 1x  c447
- 1x  j30



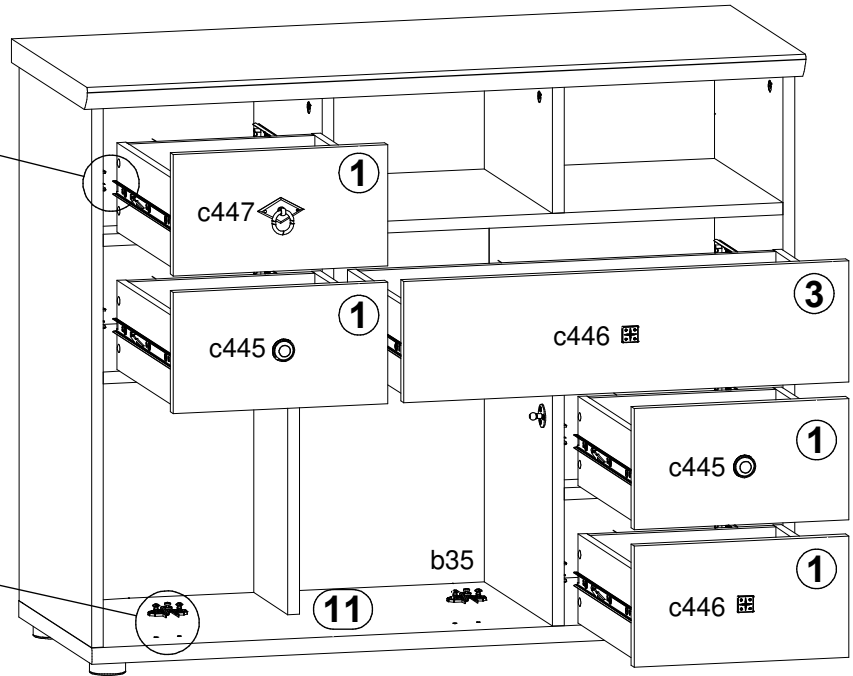
1x



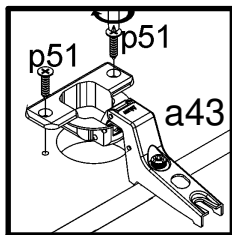
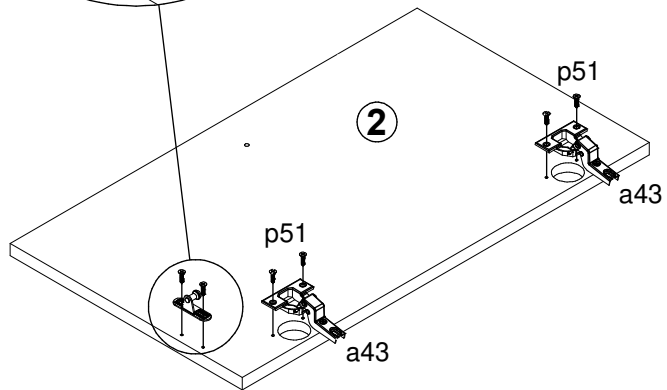
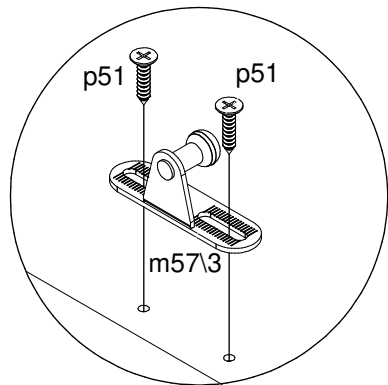
- 2x  b35

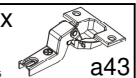



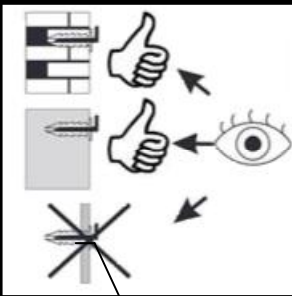
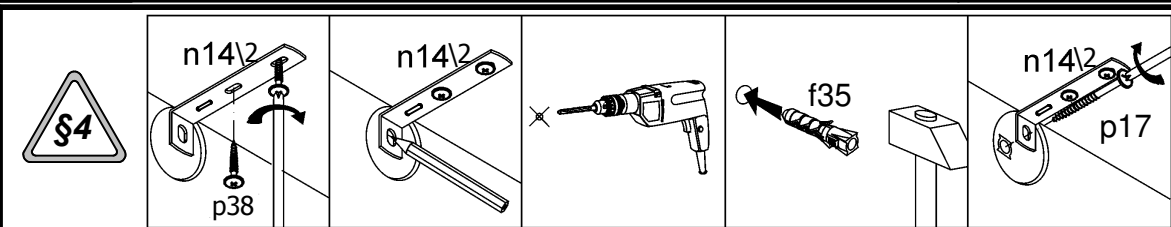
14



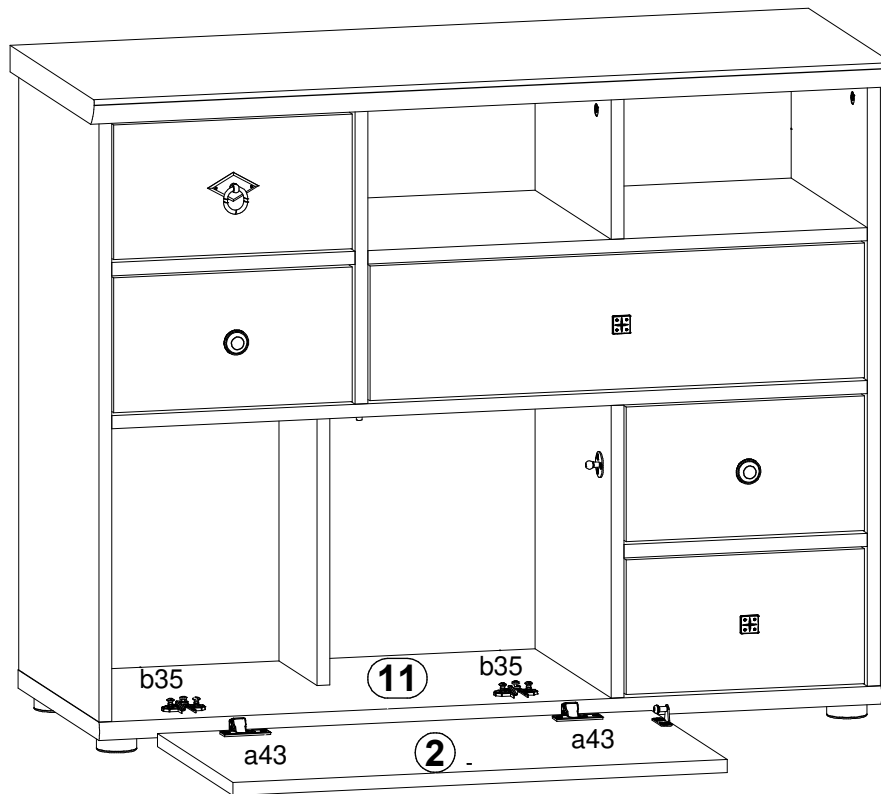
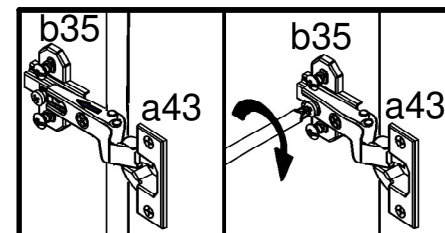
15



- 2x  a43
- 6x  p51
Ø3.5x15 mm
- 1x  m57\3



16

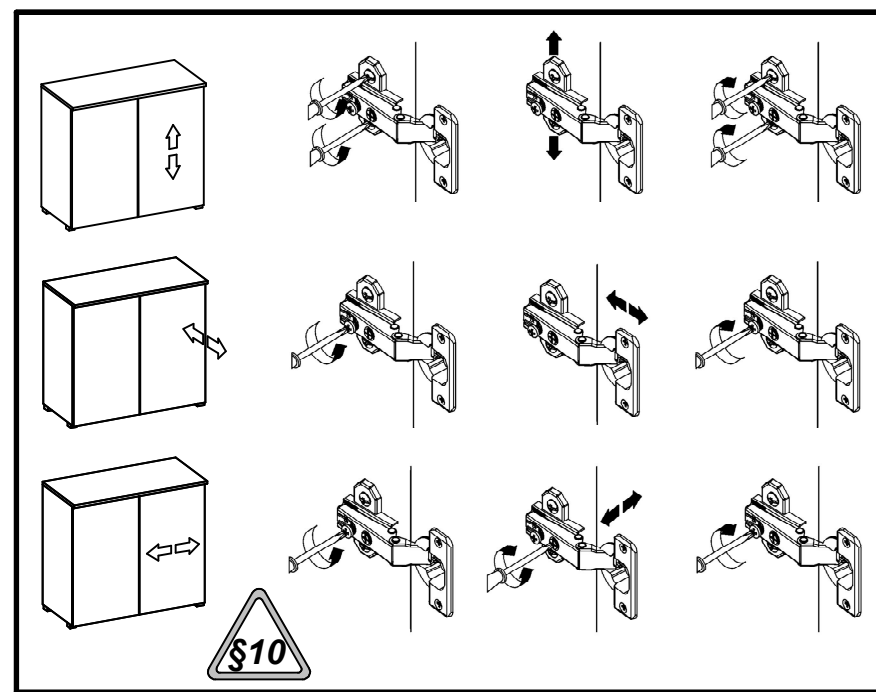
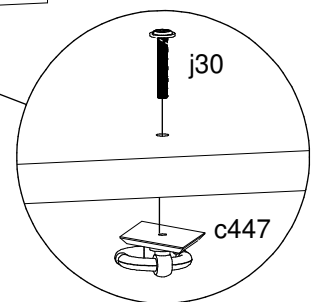
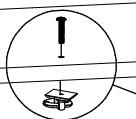
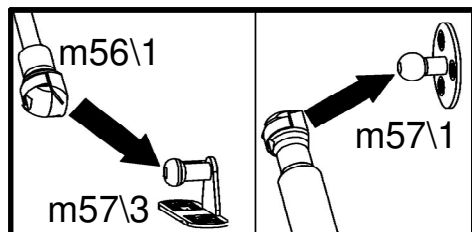
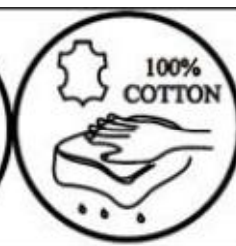
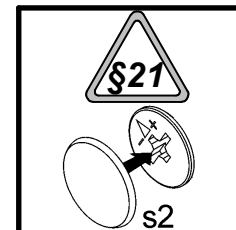
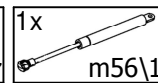
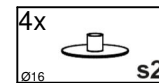
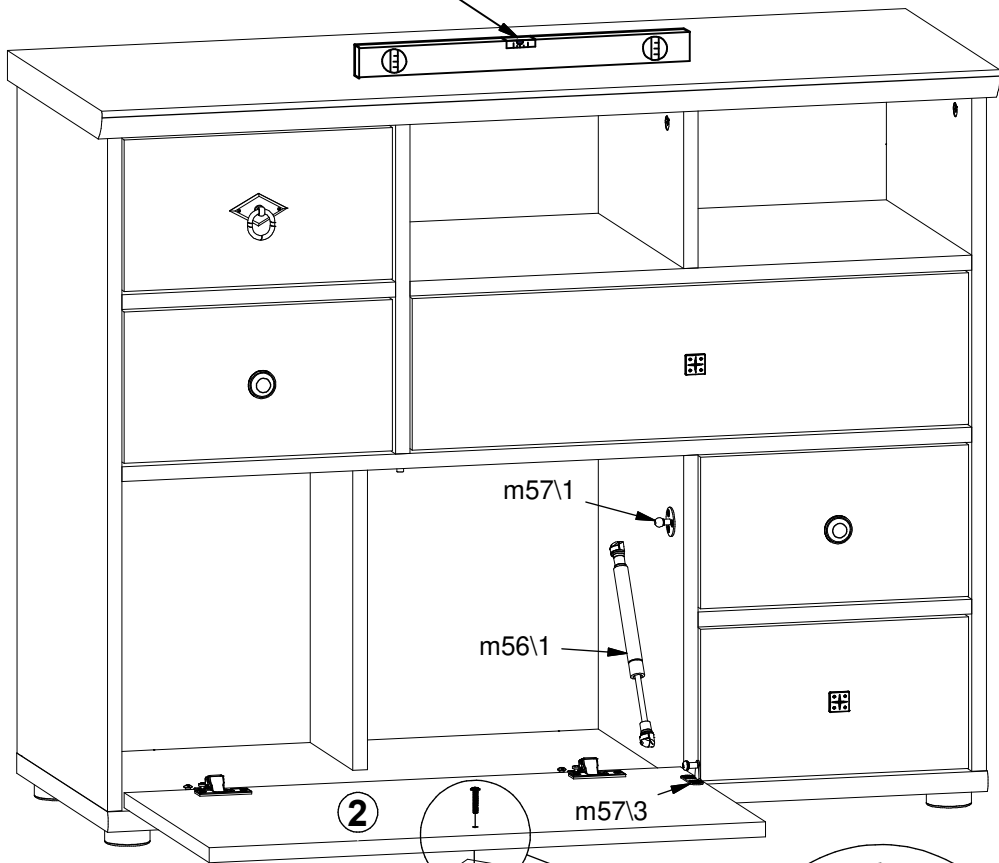
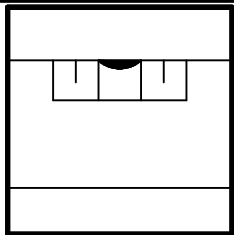


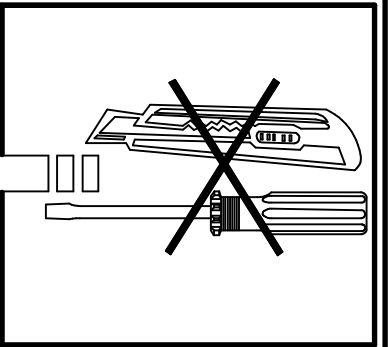
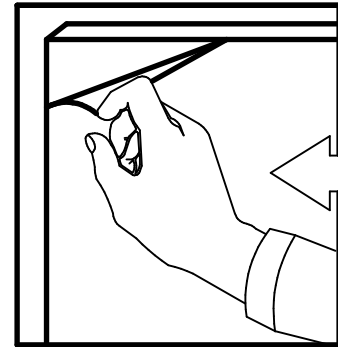
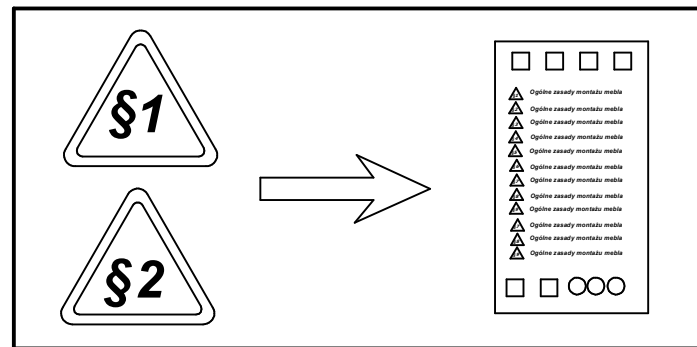
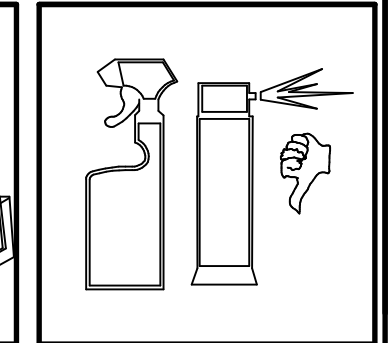
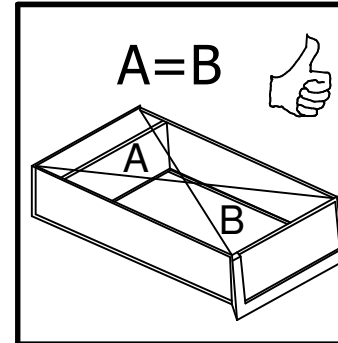
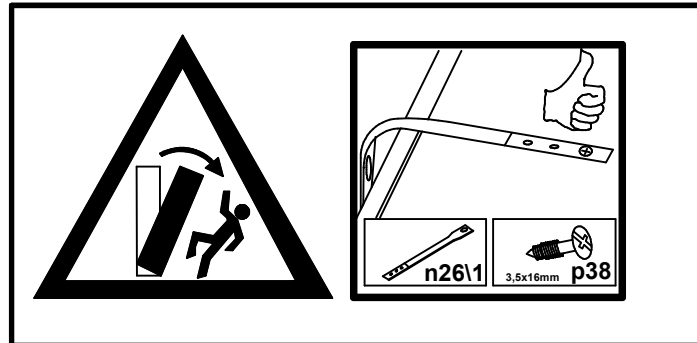
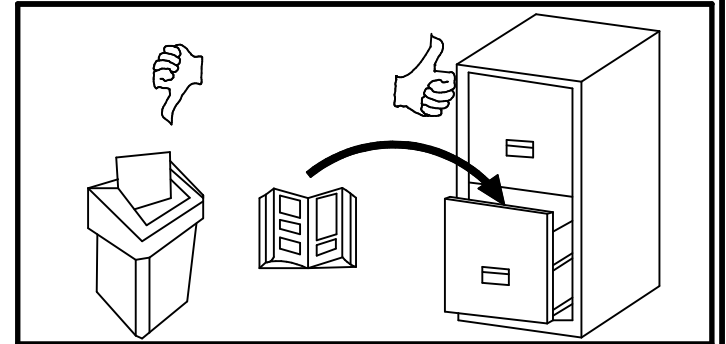
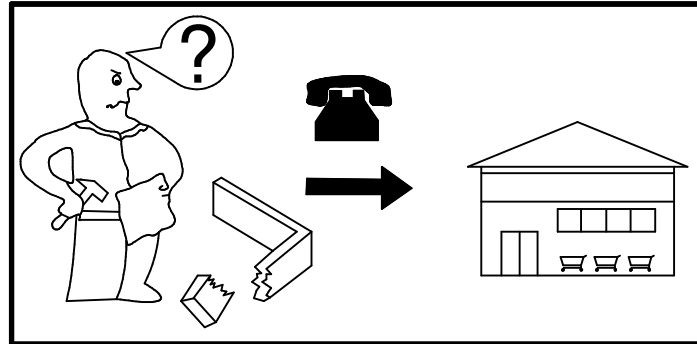
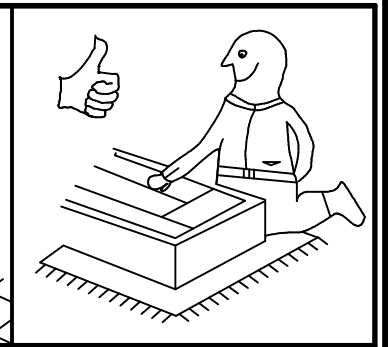
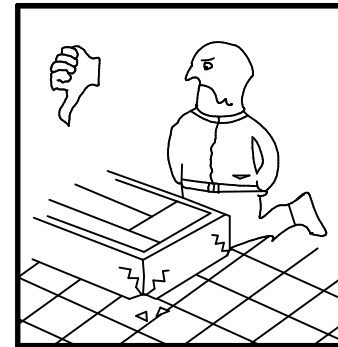
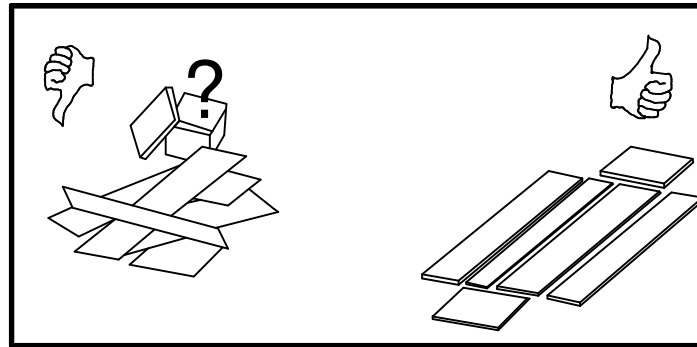
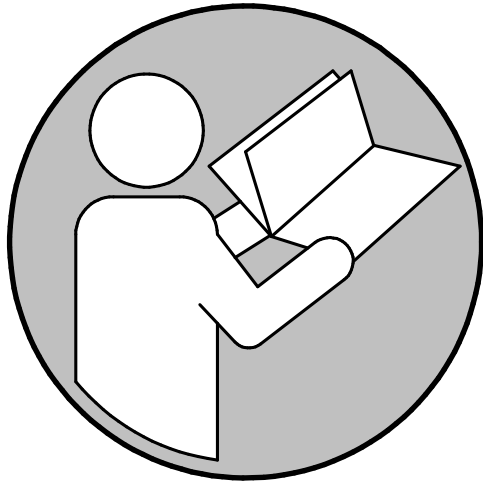
A

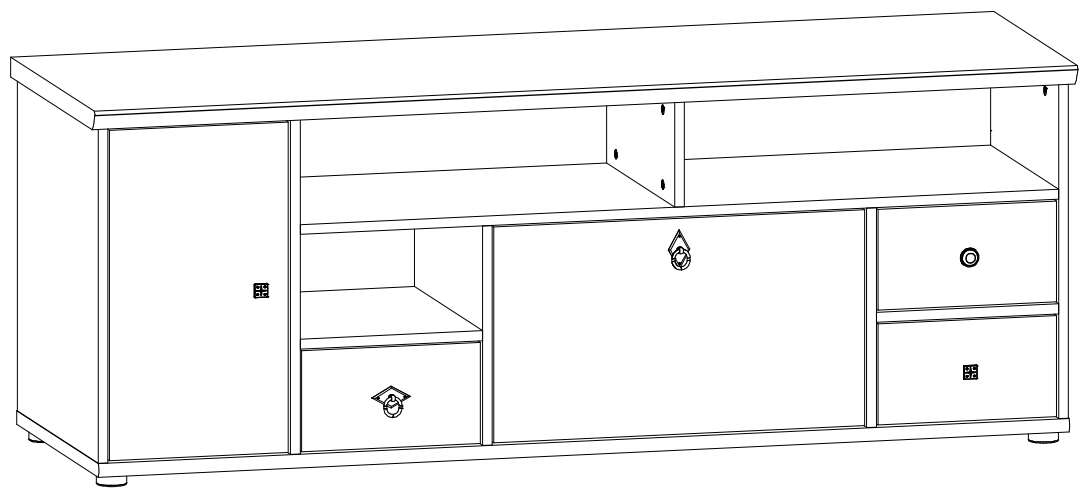
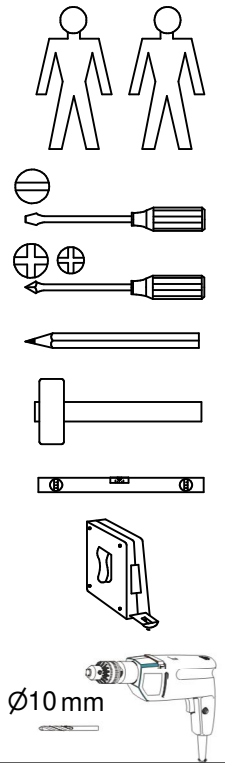
S248-KOM1K5S/8/10

10D0--03

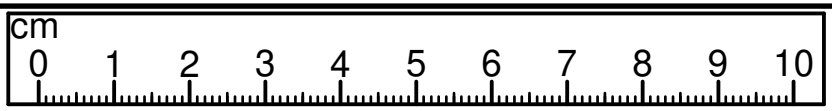
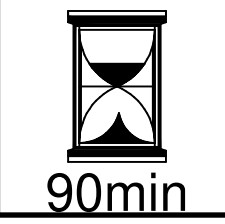
15 / 15



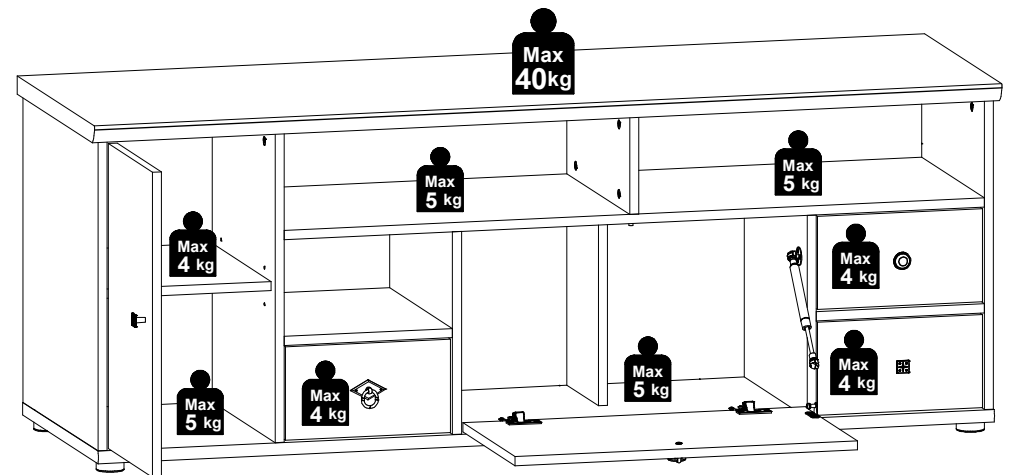
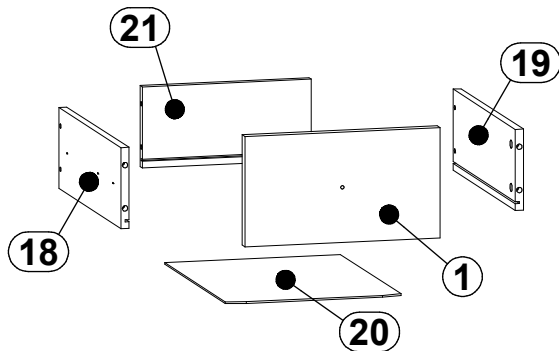
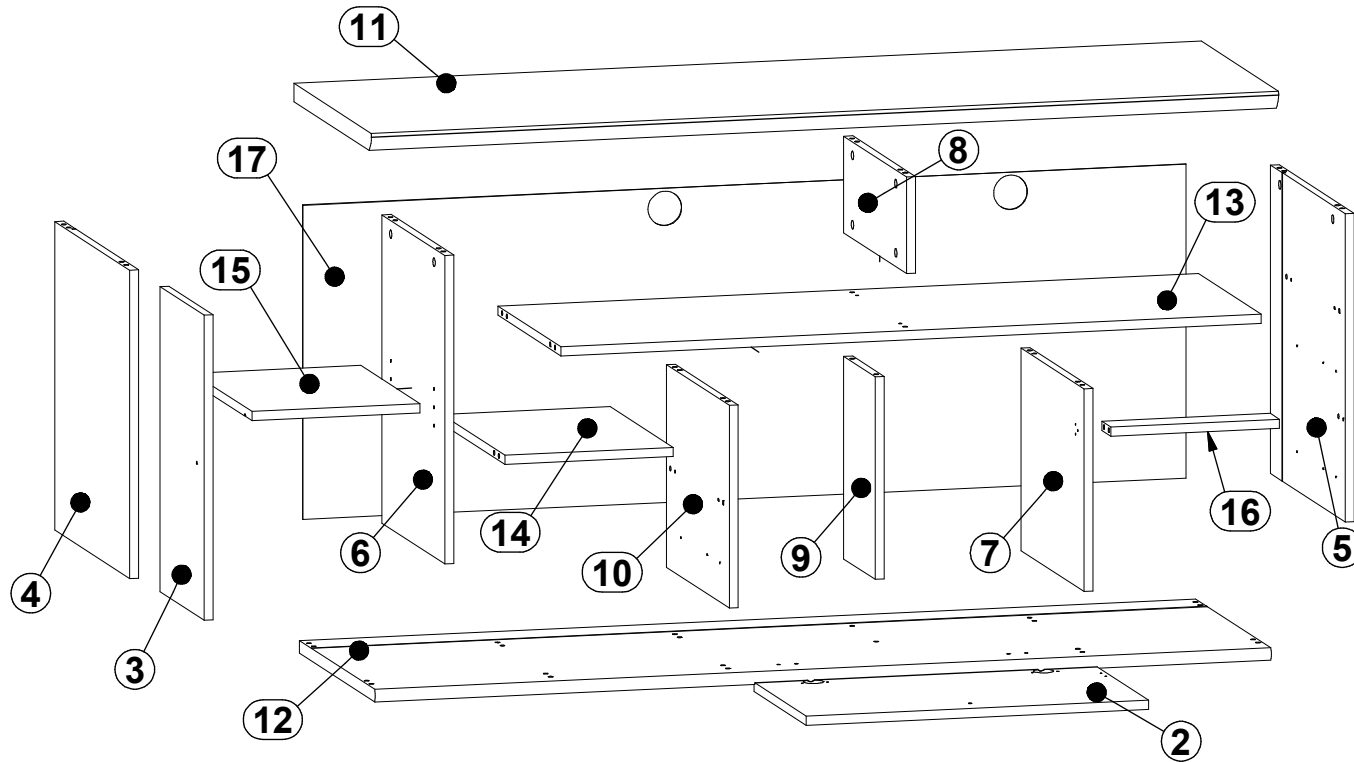


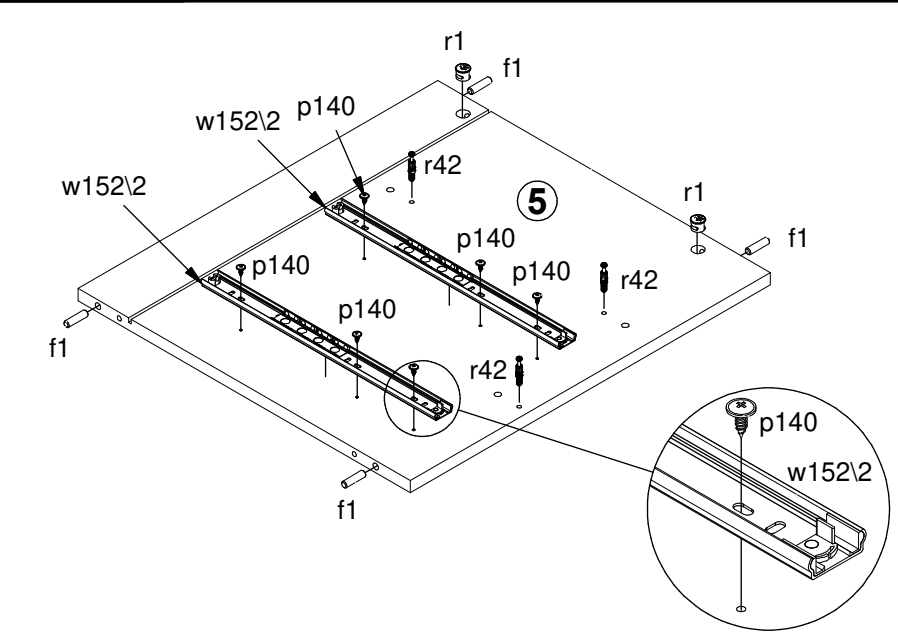
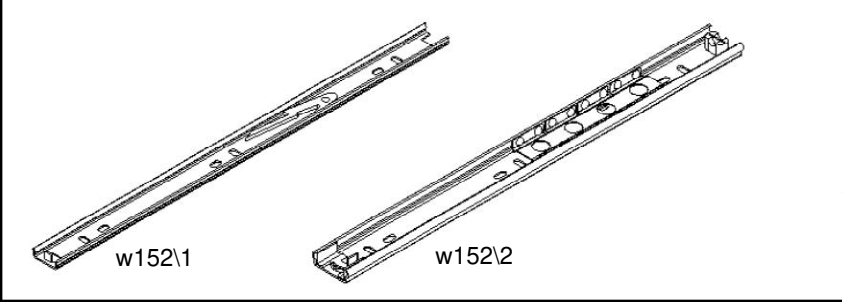
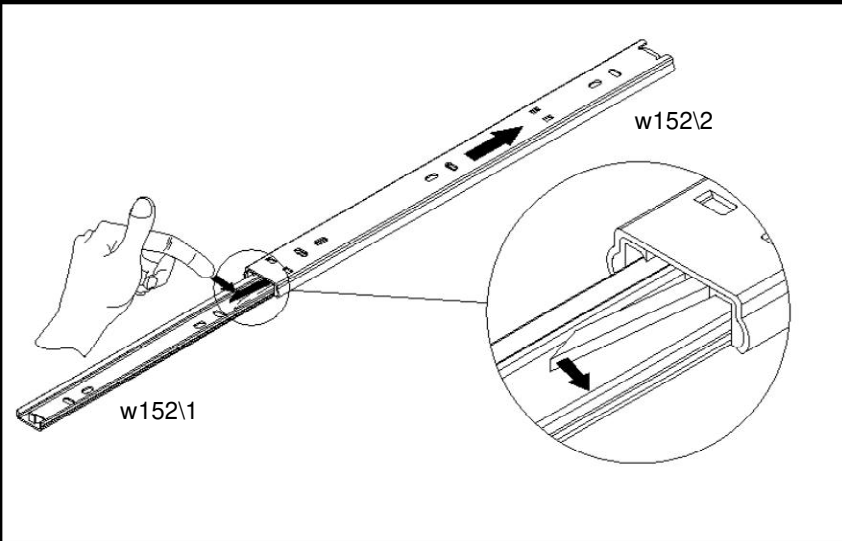




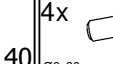
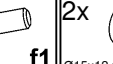

A	B	C (mm)		D
1	S248-0009	163	294	3/3
2	S248-0010	348	610	3/3
3	S248-0013	533	294	3/3
4	S248-1026	539	498	1/3
5	S248-1027	539	498	1/3
6	S248-1028	539	418	1/3
7	S248-1029	354	418	1/3
8	S248-1030	169	418	1/3
9	S248-1031	354	209	1/3
10	S248-1032	354	418	1/3
11	S248-2008	1617	516	2/3
12	S248-2009	1597	503	2/3
13	S248-3015	1248	418	1/3
14	S248-3016	300	418	1/3
15	S248-3019	299	393	1/3
16	S248-4003	300	60	1/3
17	S248-9006	1574	549	2/3
18	WSK3-505	350	120	1/3
19	WSK3-506	350	120	1/3
20	WSP-9095	265	348	1/3
21	WTR-5026	255	120	1/3

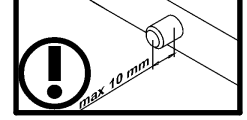
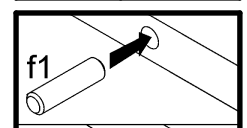
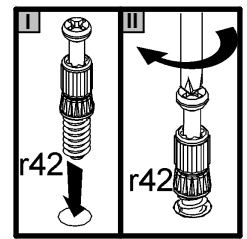
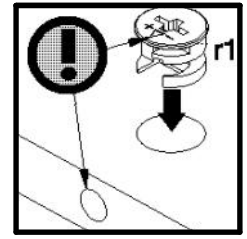


3x k36 a43	1x k16, f35 a101	3x d3 b35	1x b59	1x c445	2x c446	2x c447	4x Ø5x17 mm d1	1x Ø6.3x15 mm d4	10x Ø7x50 mm e1	36x Ø8x30 mm f1	1x Ø8x50 mm f6	12x Ø6.5x40 mm f25			
5x M4x22 mm j30	7x k27	19x l1	16x l2	1x m56\1	1x m57\1	1x m57\3	13x Ø3.5x15 mm p51	36x Ø3.5x12mm p140	24x Ø15x12 mm #16 r1	12x Ø12x10.5 mm #12 r15	36x r42	12x s2			
1x S60	6x 350mm w152\1	6x 350mm w152\2	1x z1	1x Ø10x50 mm f35									1x 38x21x15\1.5 n14\2	1x Ø5x60 mm p17	2x Ø3.5x16 mm p38

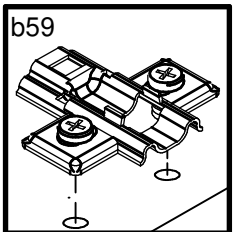
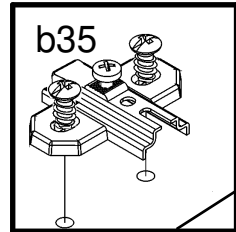
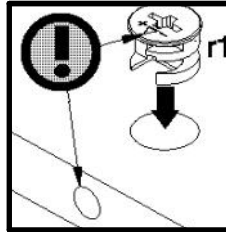
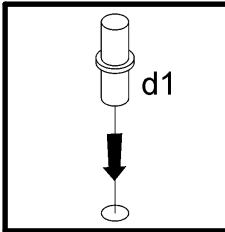
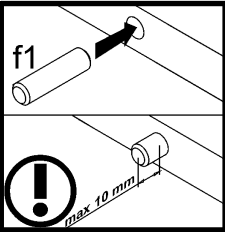
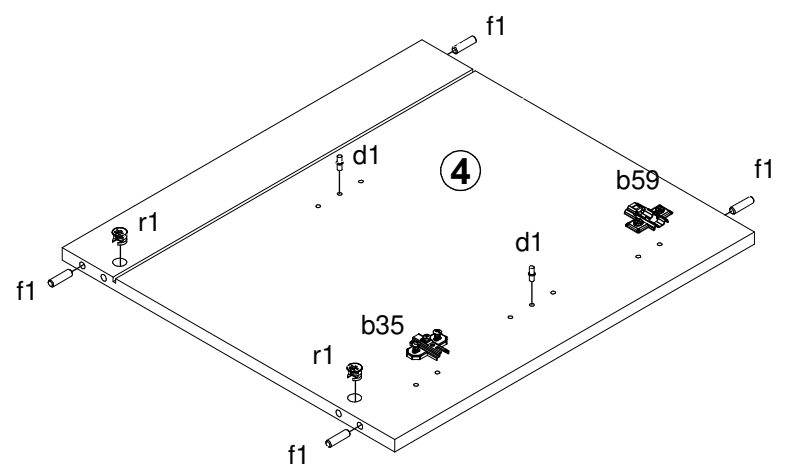


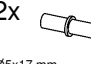
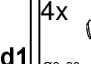
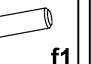




- 2x

350mm
w152\2
- 6x

Ø3.5x12mm
p140
- 4x

Ø8x30 mm
f1
- 2x

Ø15x12 mm #16
r1
- 3x

r42



1 

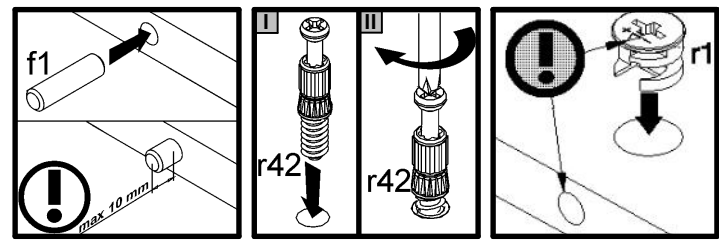
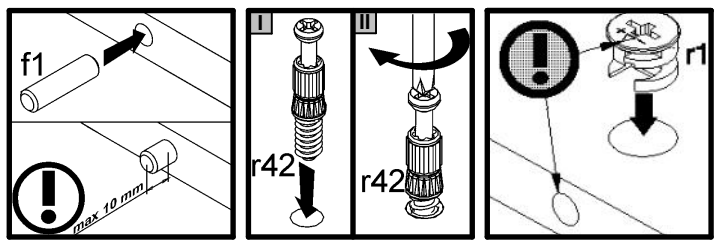
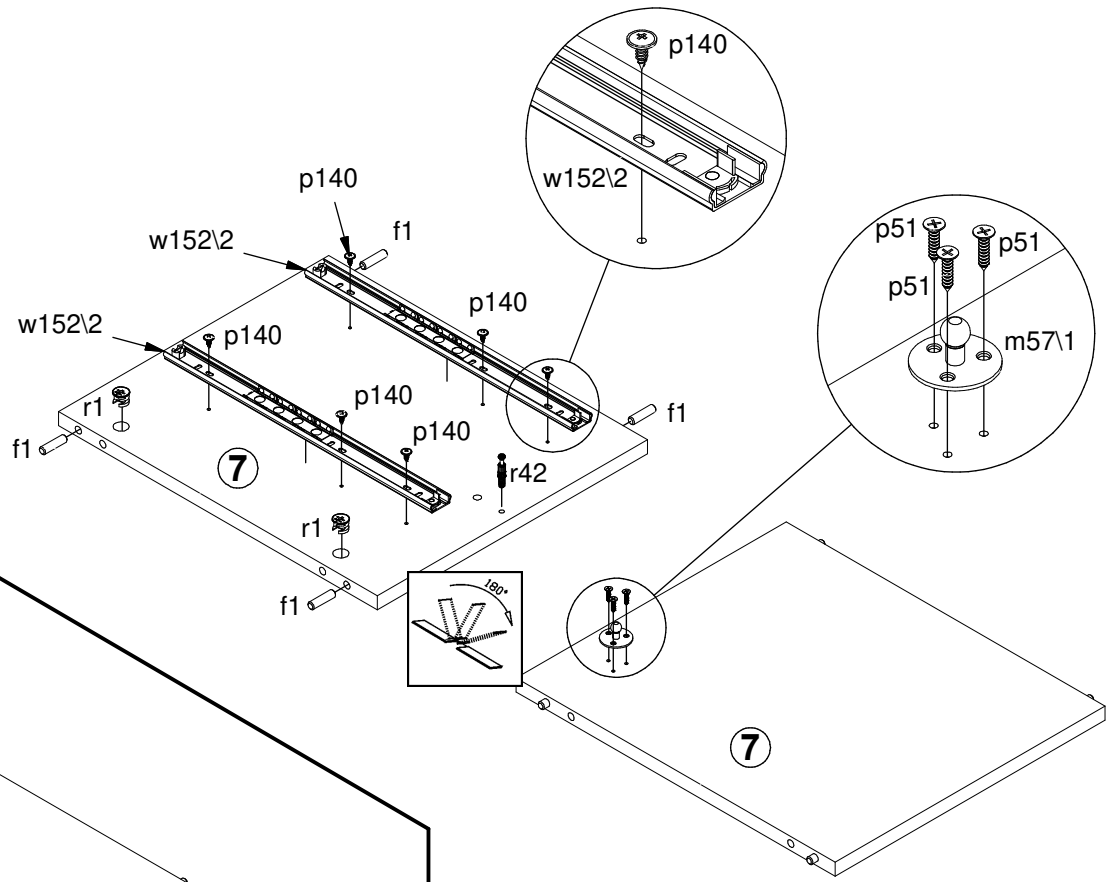
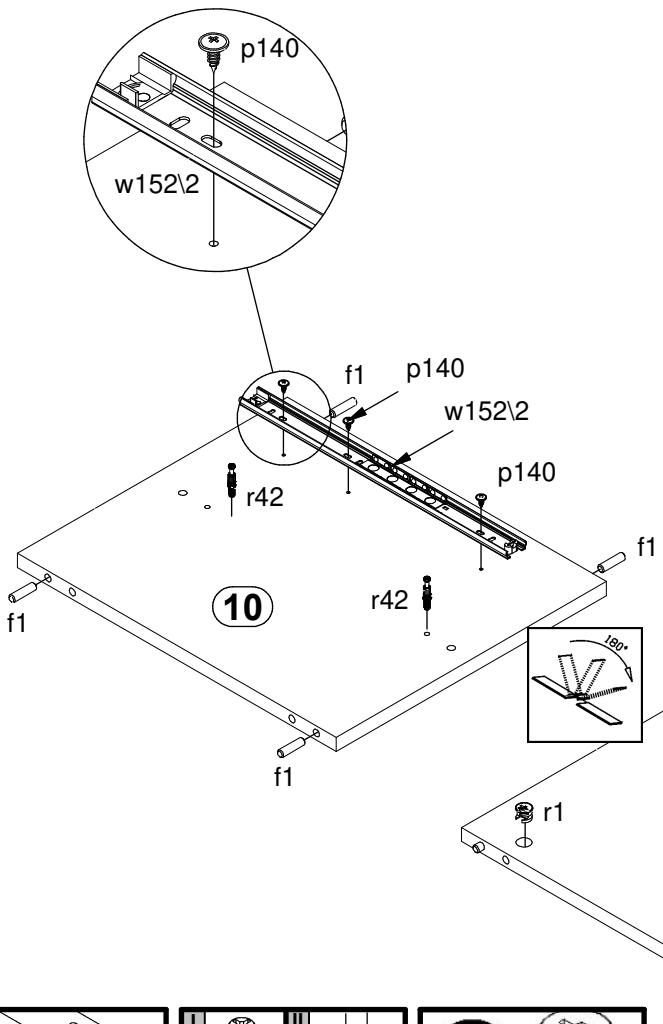


- 2x

Ø5x17 mm
d1
- 4x

Ø8x30 mm
f1
- 2x

Ø15x12 mm #16
r1
- 1x

b35
- 1x

b59

- 2x w152\2 350mm
- 3x p140 Ø3,5x12mm
- 2x r42
- 2x r1 Ø15x12 mm #16
- 4x f1 Ø8x30 mm

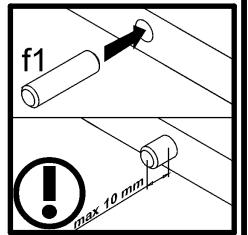
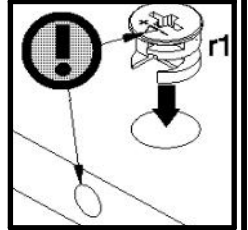
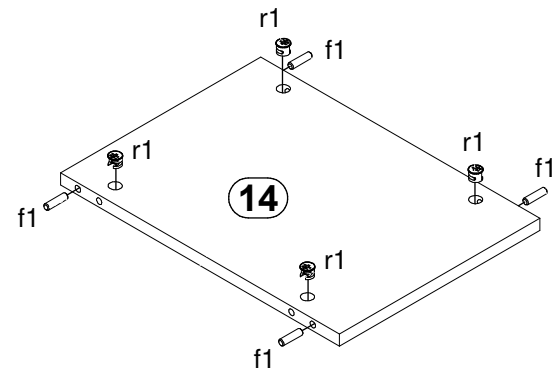
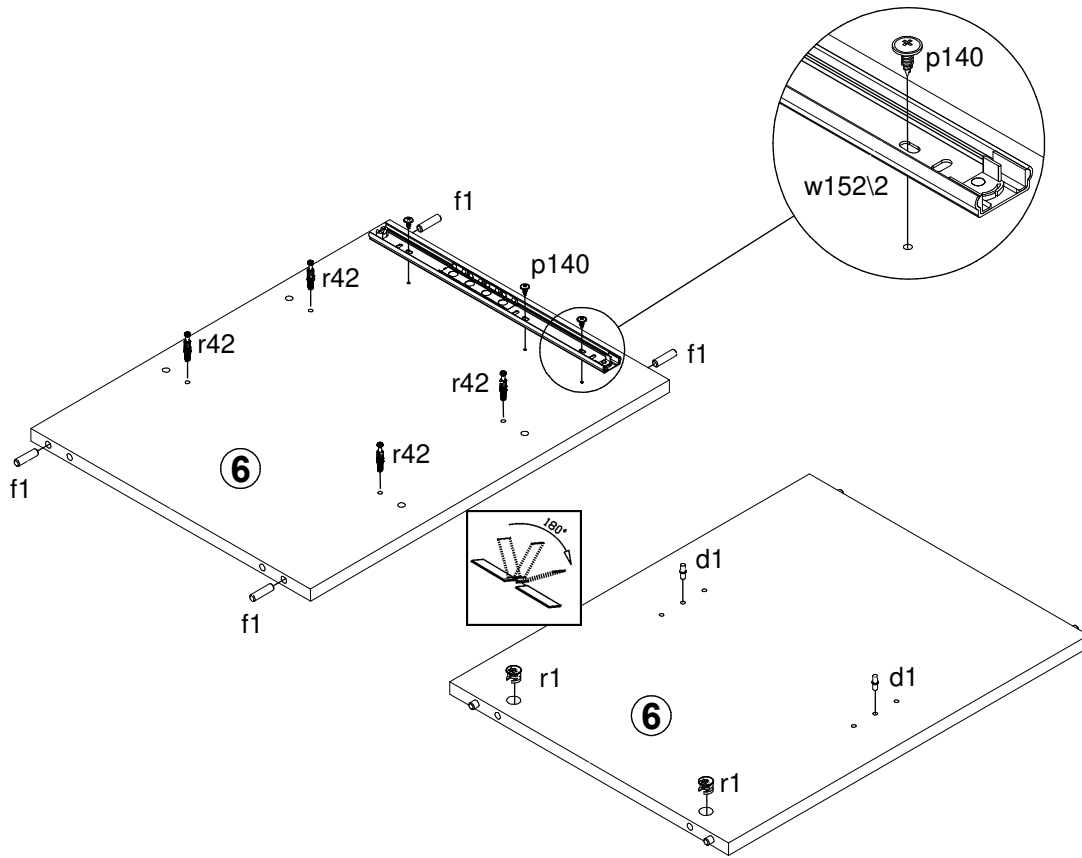
1

- 2x w152\2 350mm
- 6x p140 Ø3,5x12mm
- 1x r42
- 2x r1 Ø15x12 mm #16
- 4x f1 Ø8x30 mm
- 1x m57\1
- 3x p51 Ø3,5x15 mm

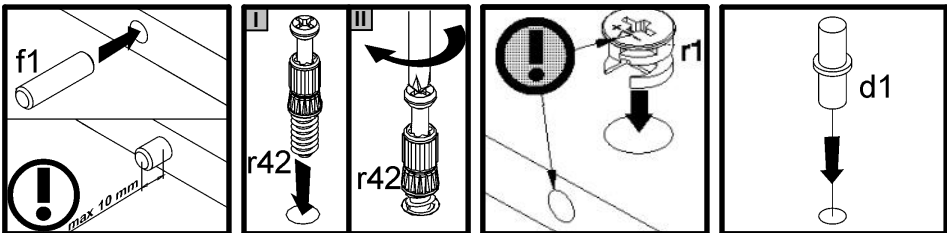
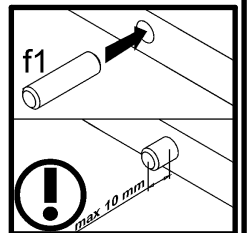
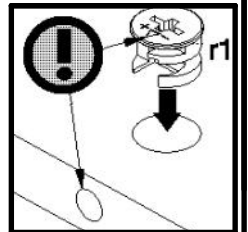
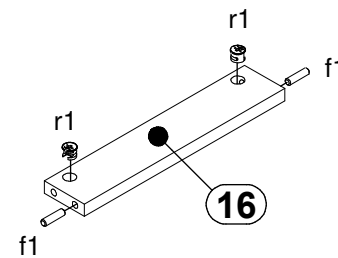


- 1x w15212
- 3x p140
- 4x r42
- 2x Ø15x12 mm #16 r1
- 4x Ø8x30 mm f1
- 2x Ø5x17 mm d1

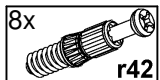
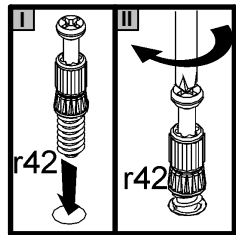
1



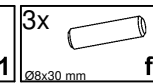
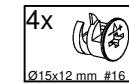
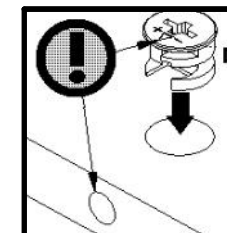
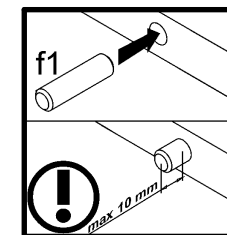
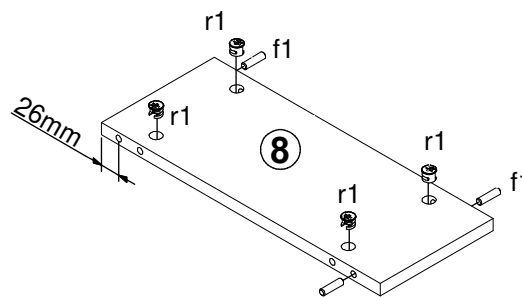
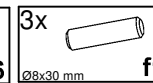
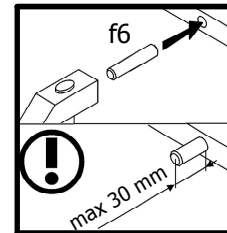
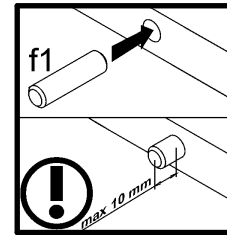
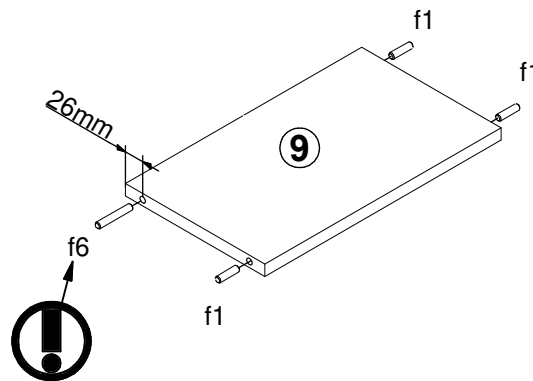
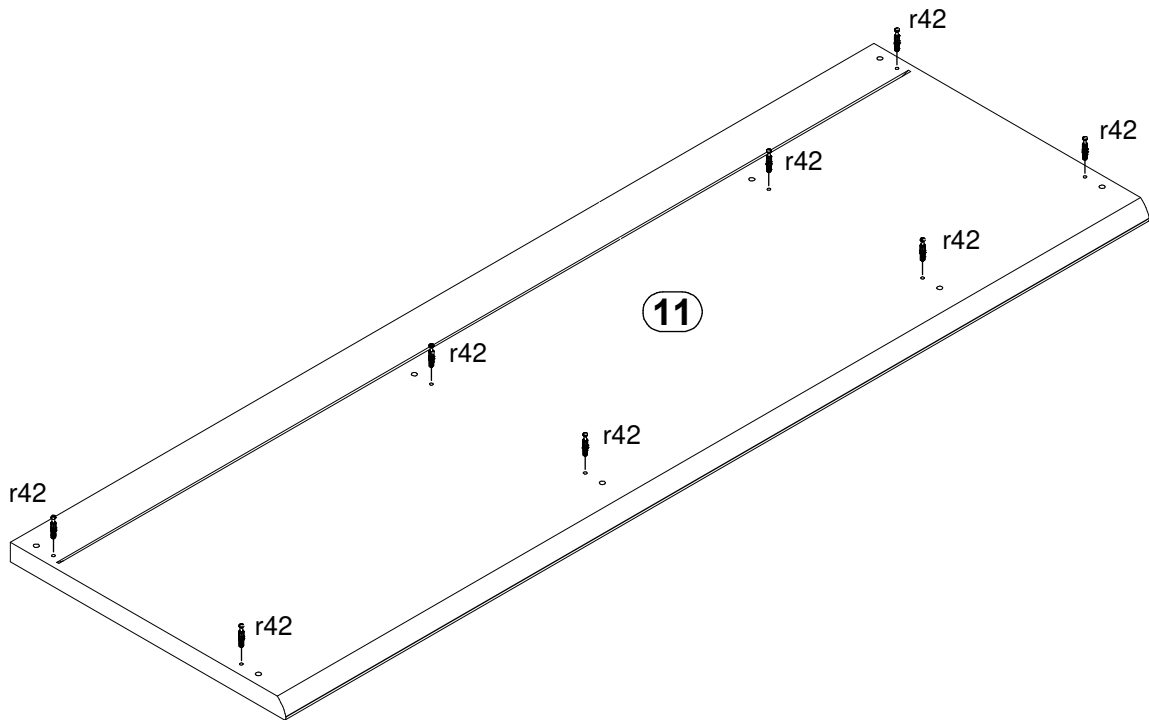
- 4x Ø15x12 mm #16 r1
- 4x Ø8x30 mm f1

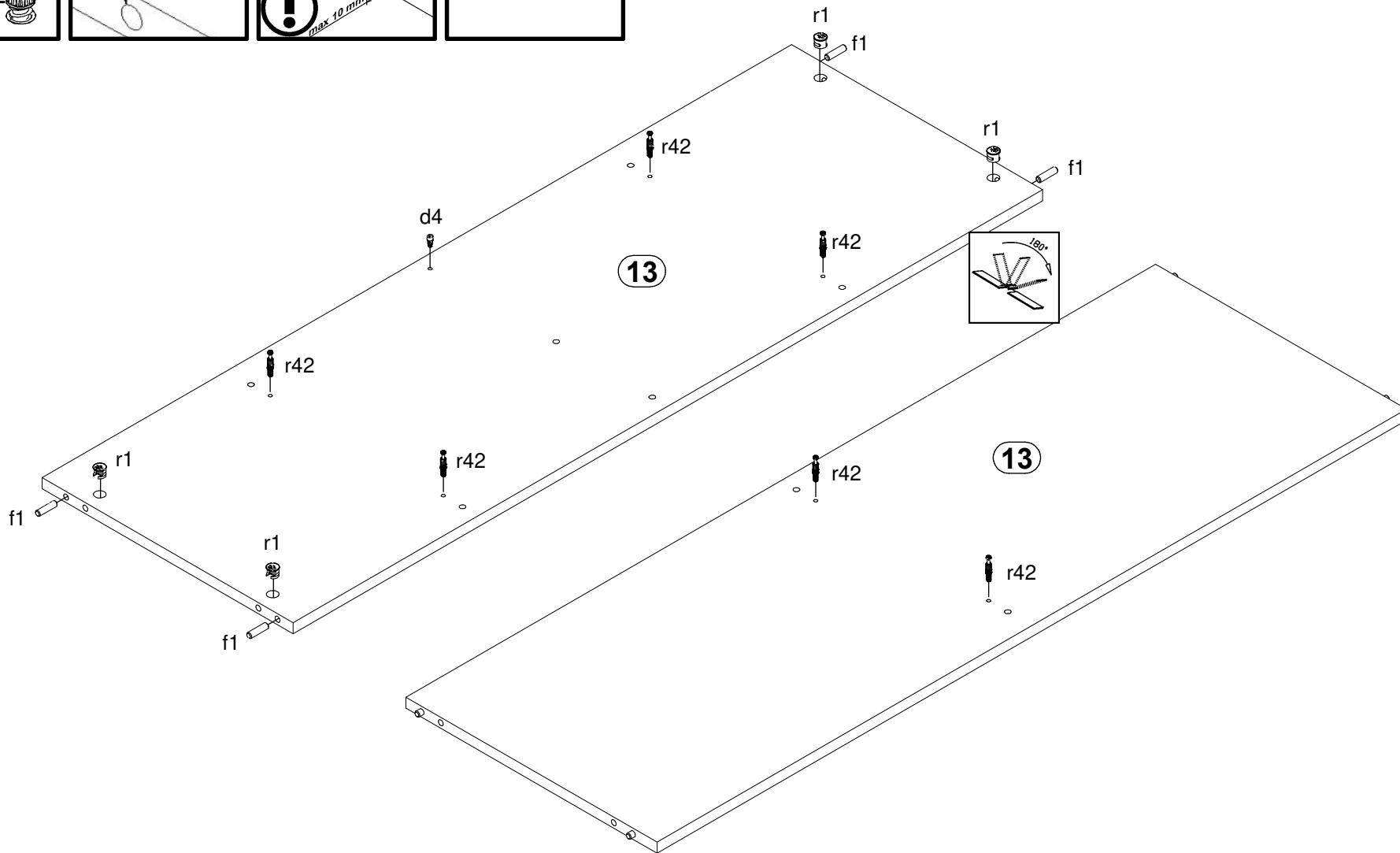
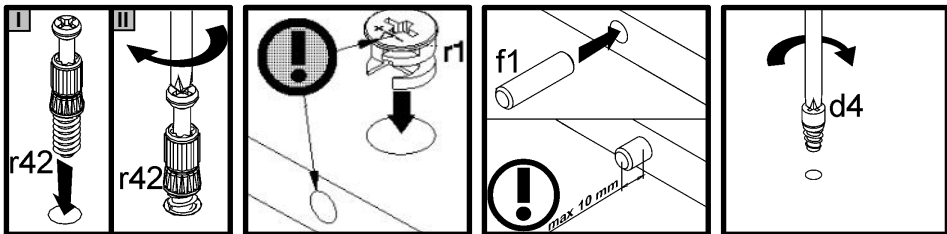


- 2x Ø15x12 mm #16 r1
- 2x Ø8x30 mm f1



1

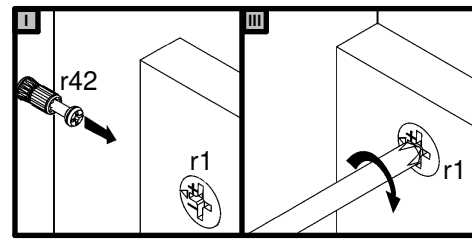
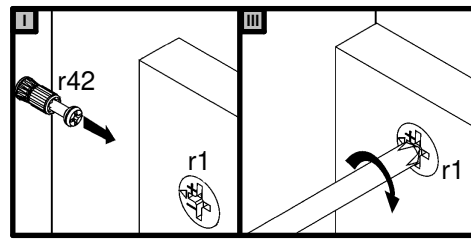
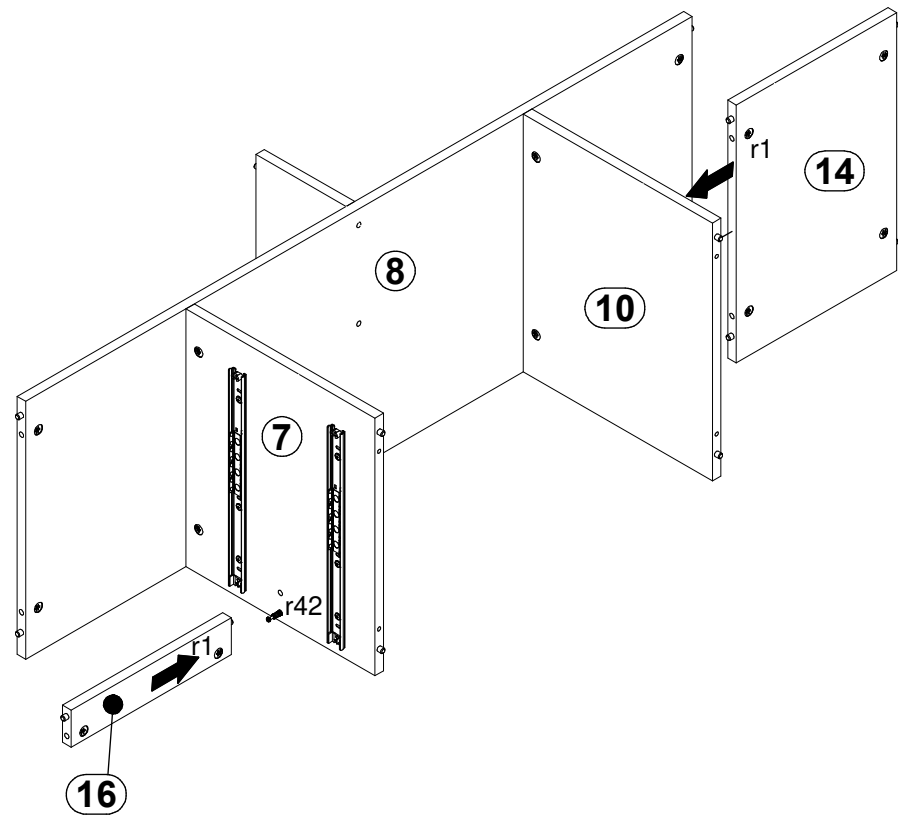
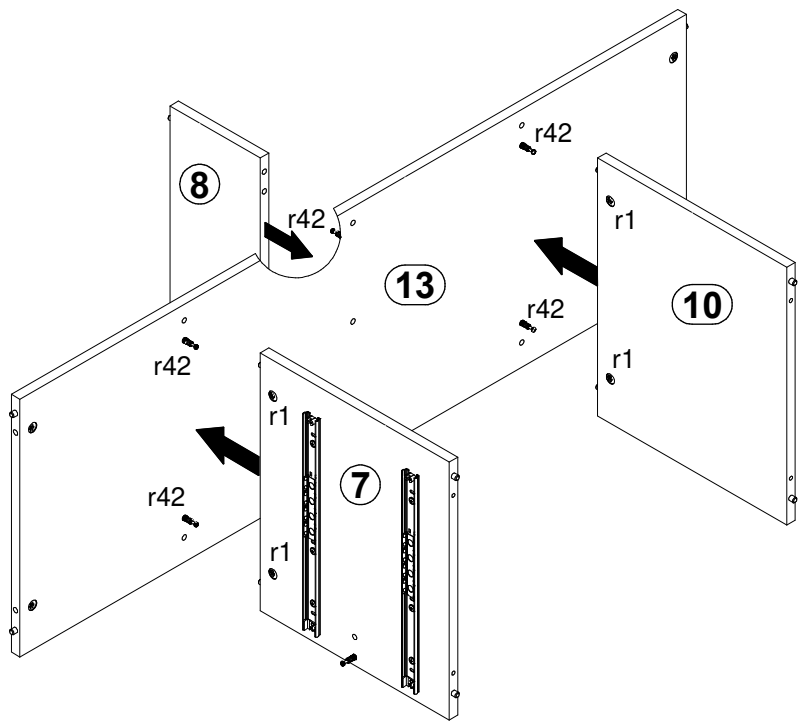


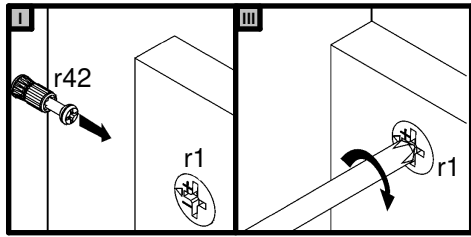


4x Ø8x30 mm f1	4x Ø15x12 mm #16 r1	6x r42	1x Ø6,3x15 mm d4
----------------------	---------------------------	-----------	------------------------

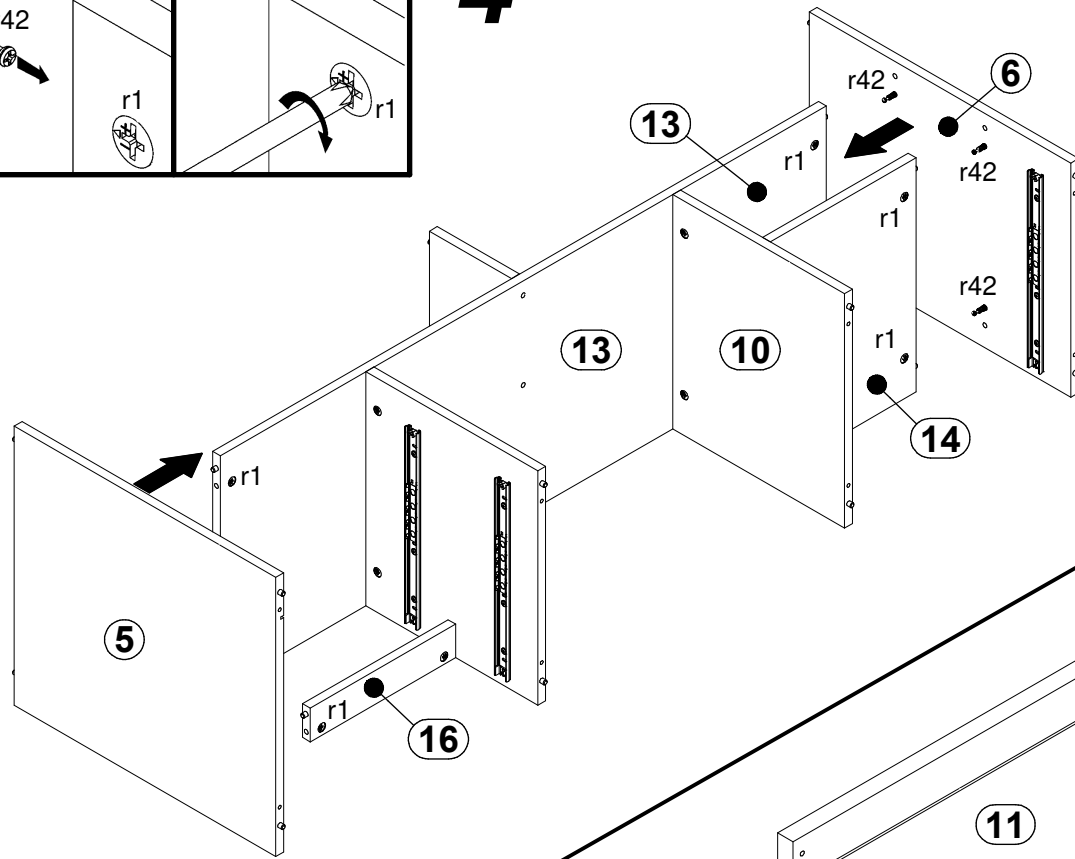
2 

3

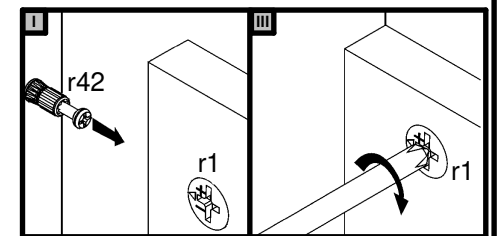
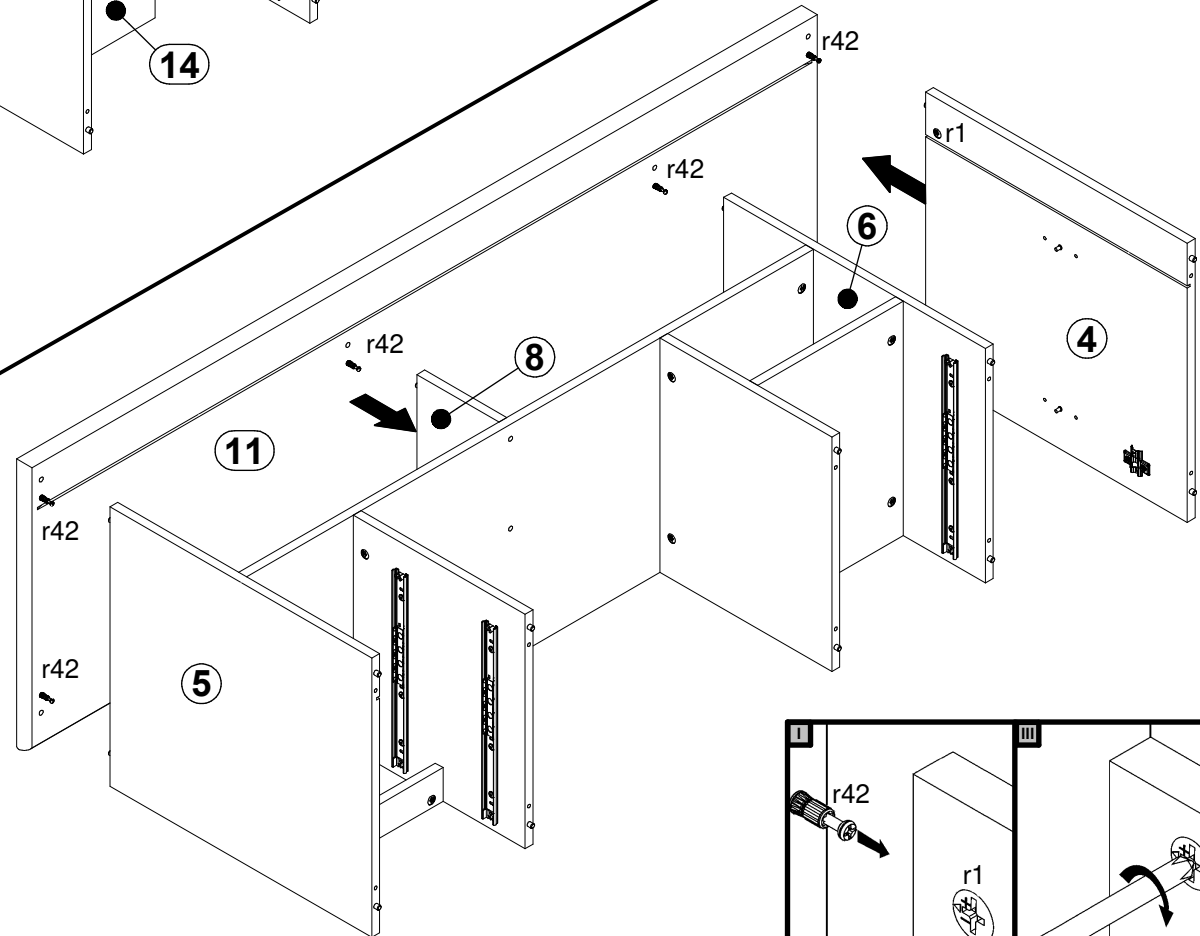




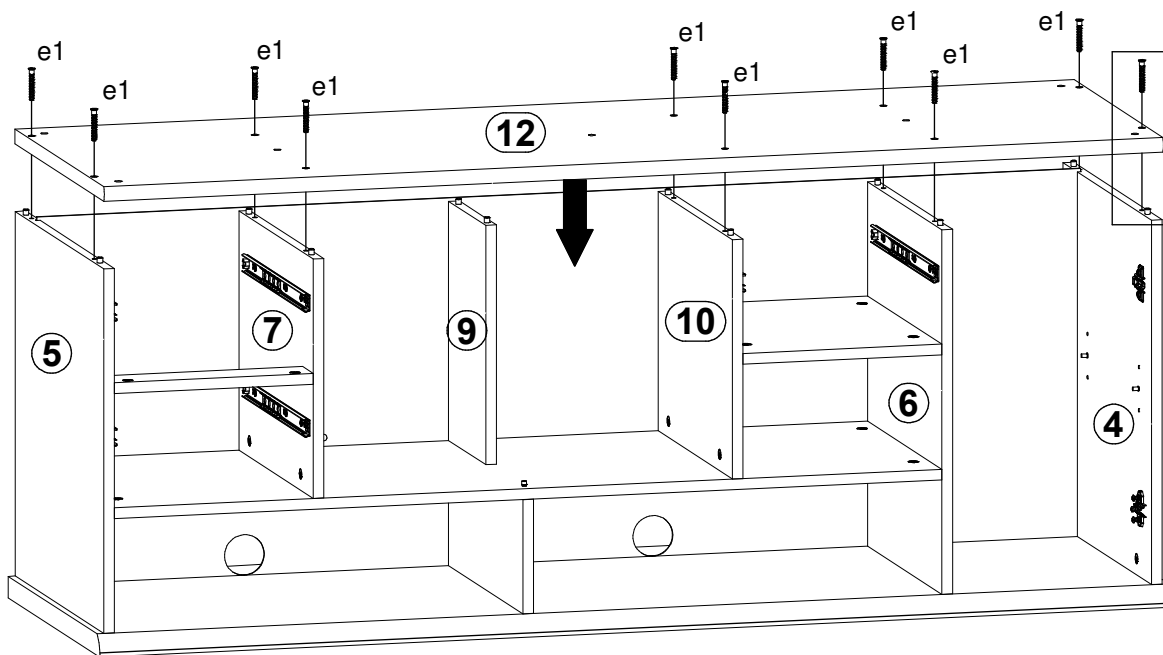
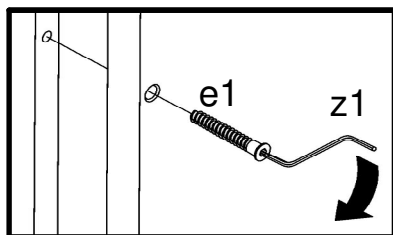
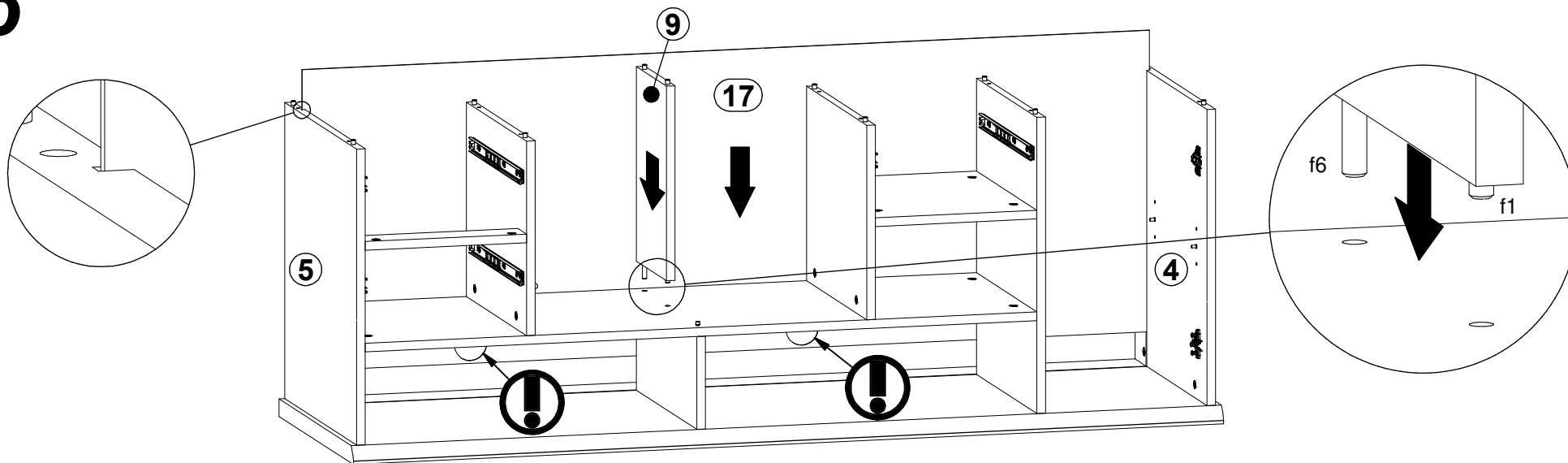
4



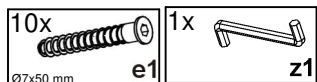
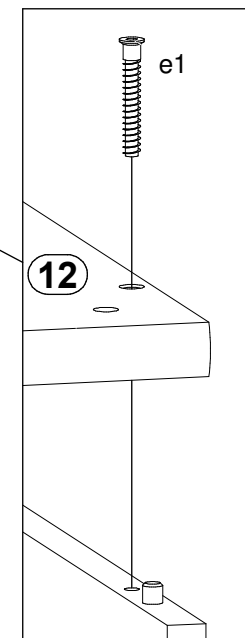
5

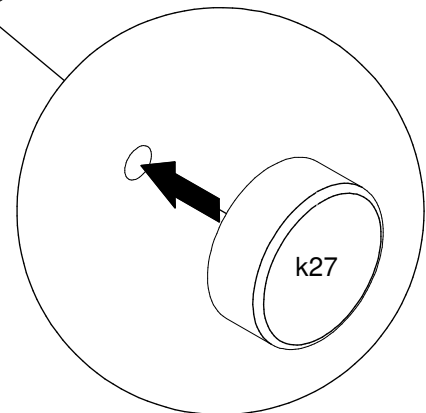
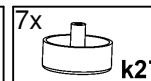
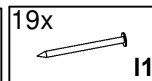
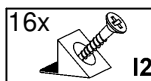
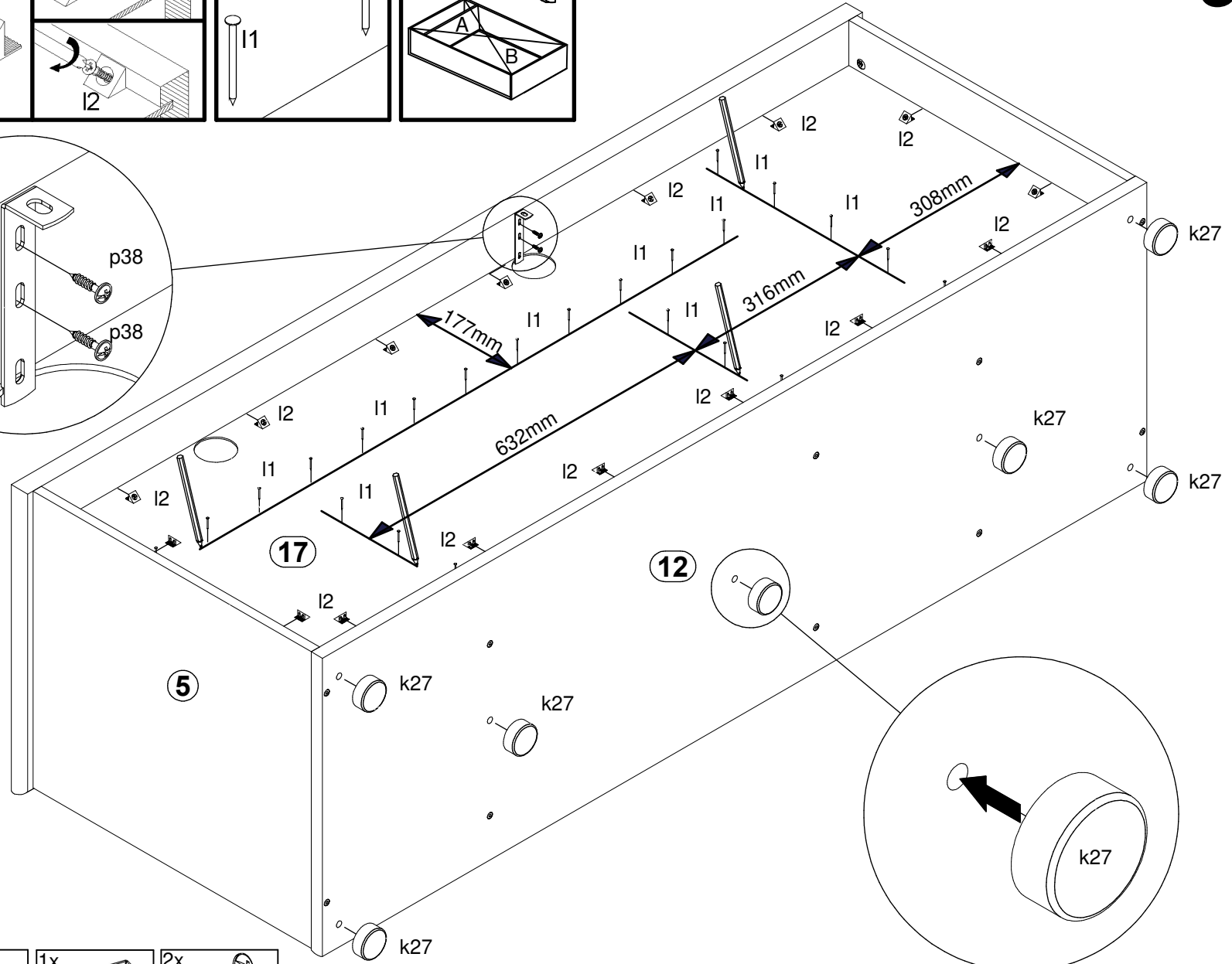
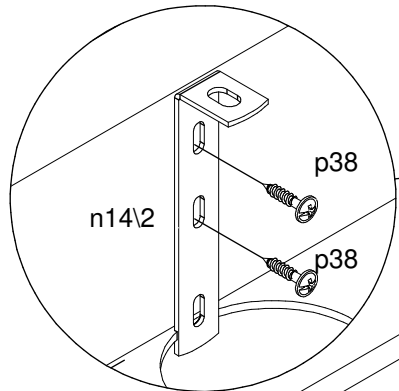
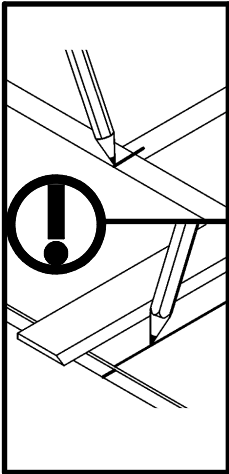
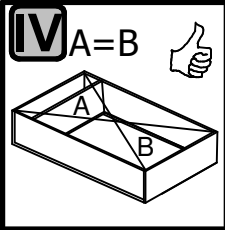
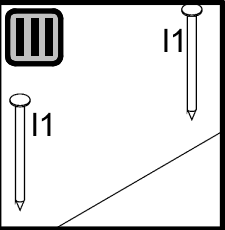
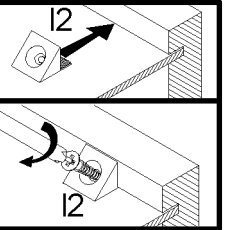
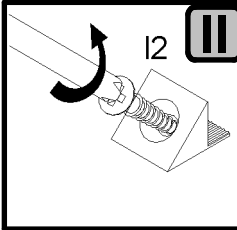
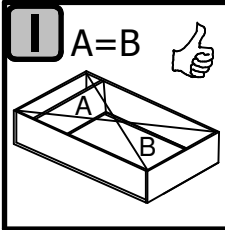


6



7

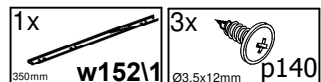
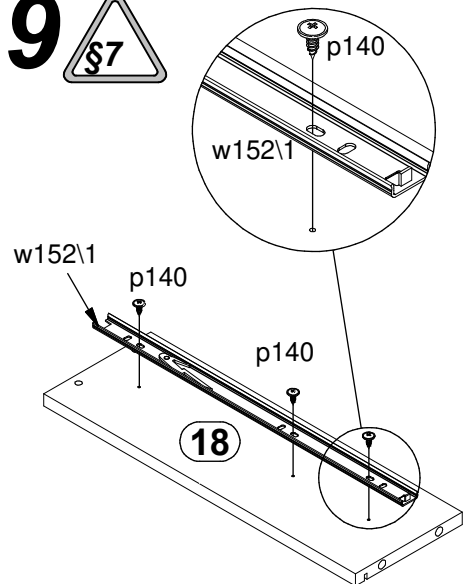




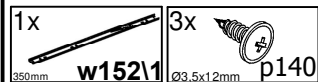
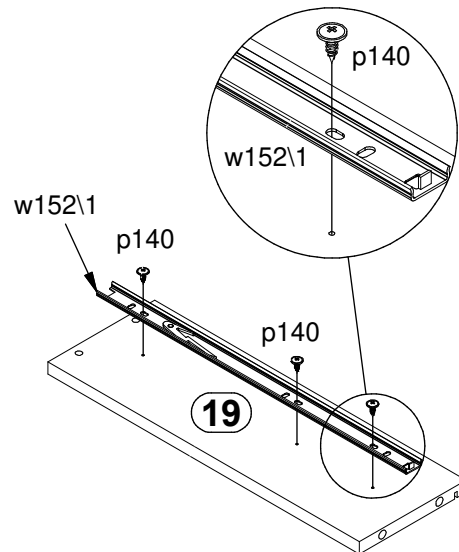
9



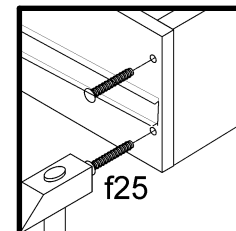
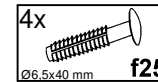
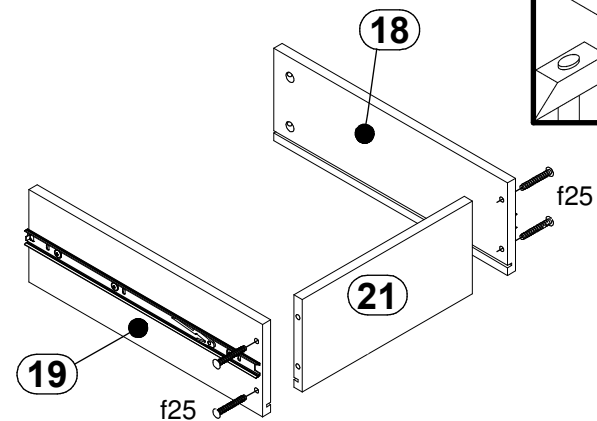
I



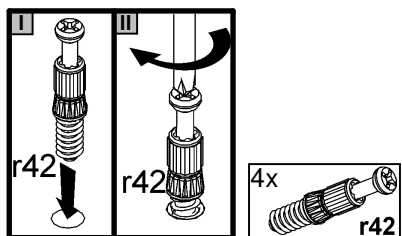
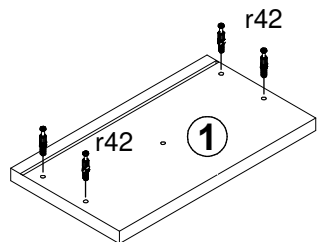
II



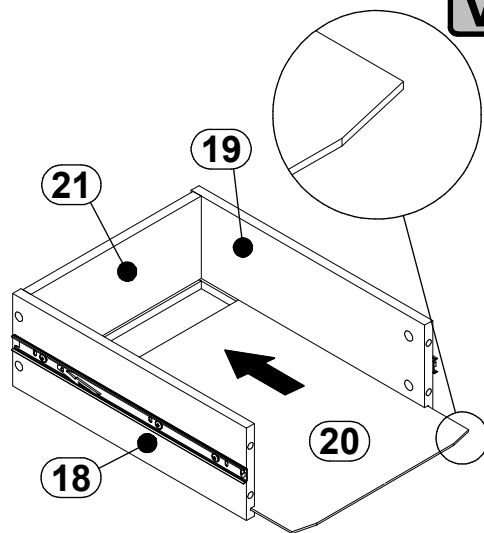
III



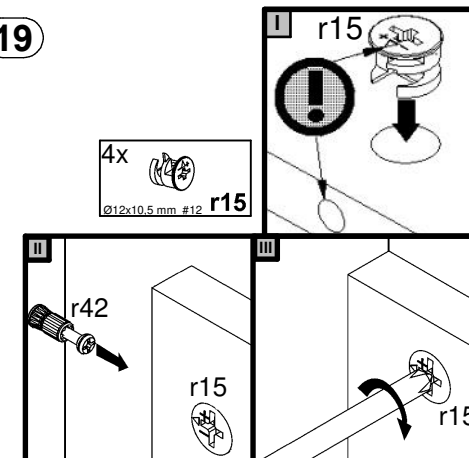
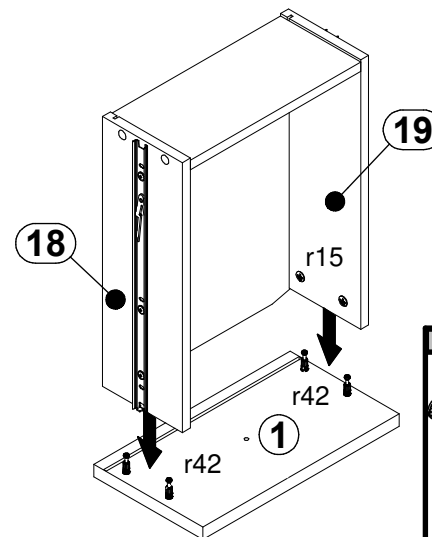
IV



V

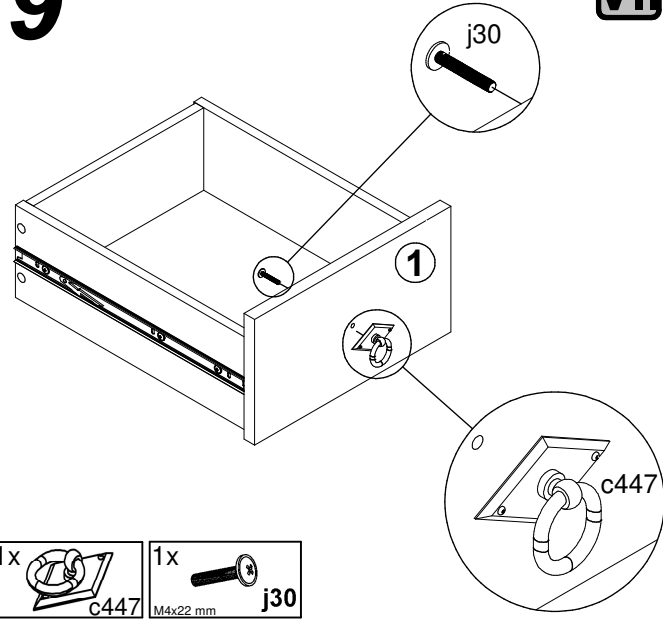


VI

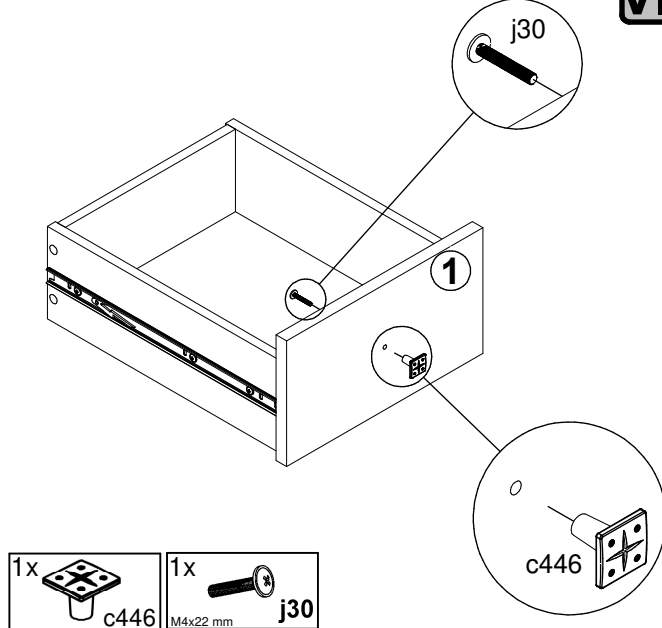


9

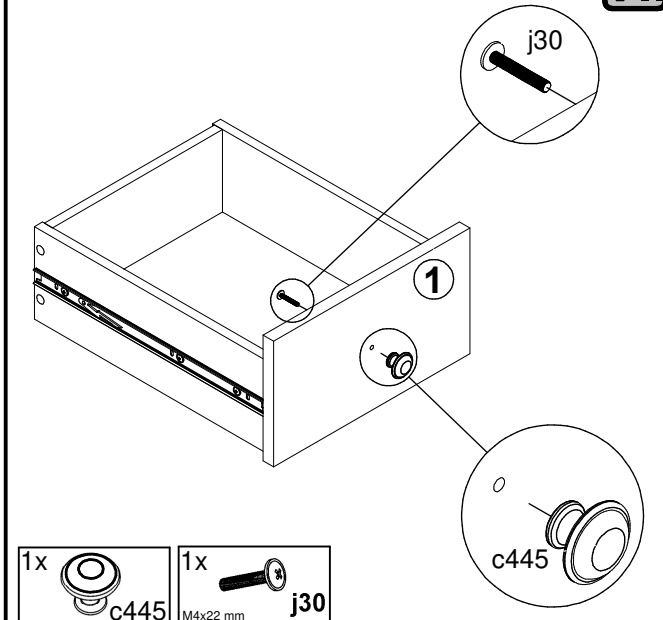
VII



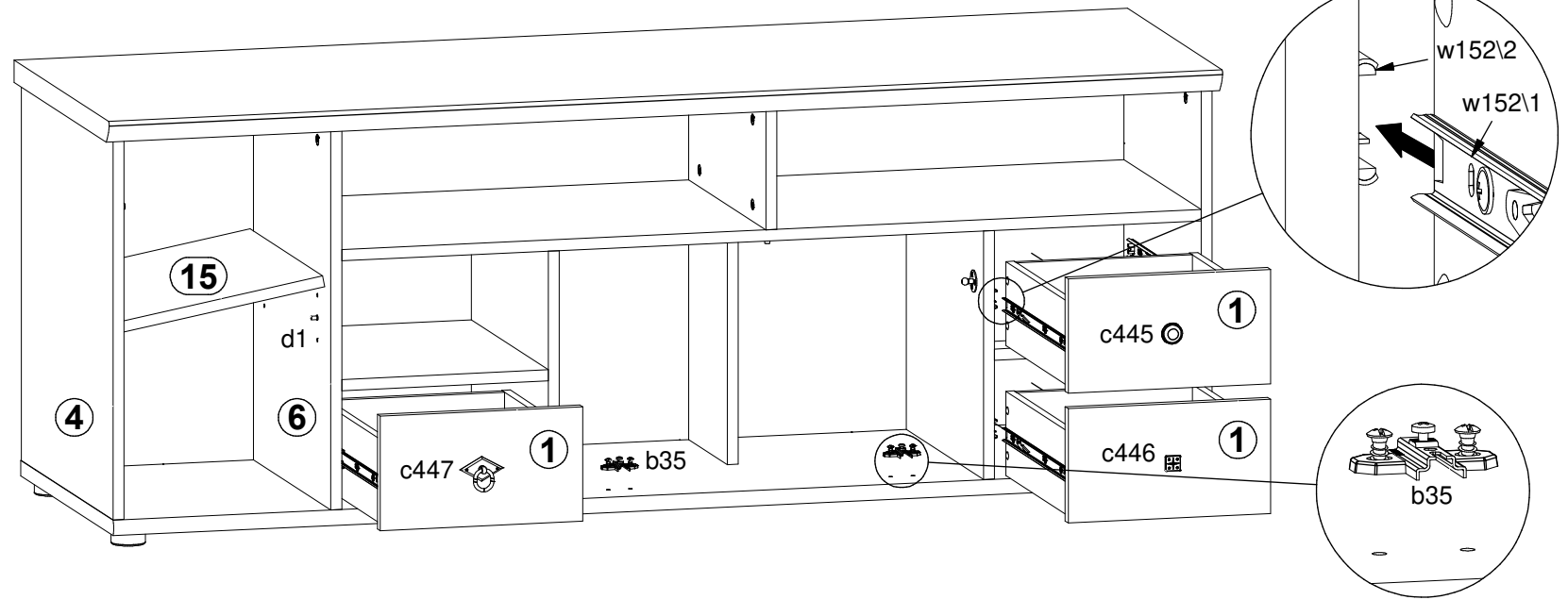
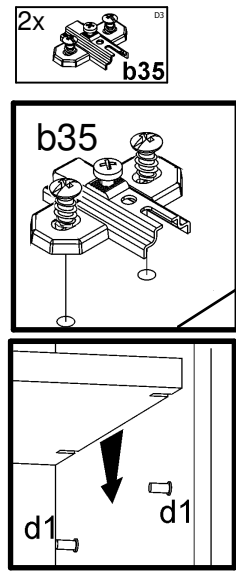
VII



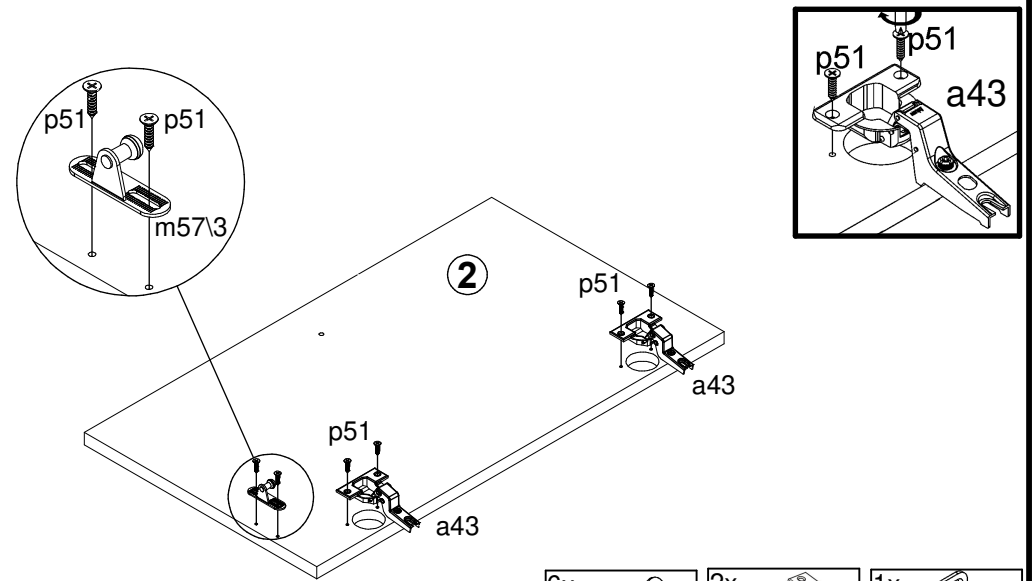
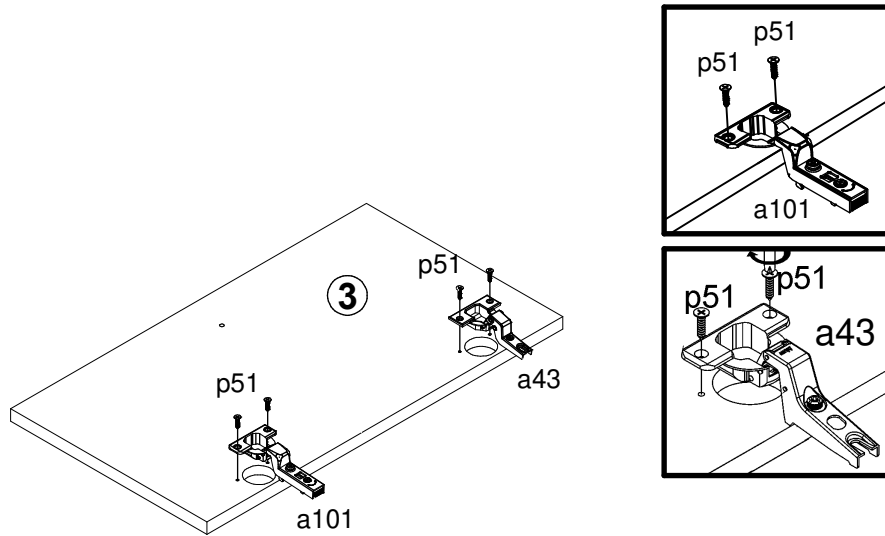
VII



10



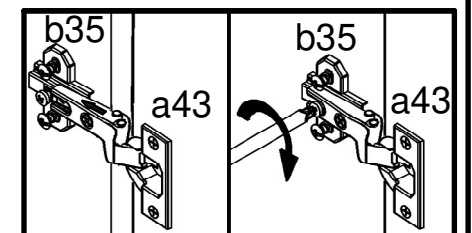
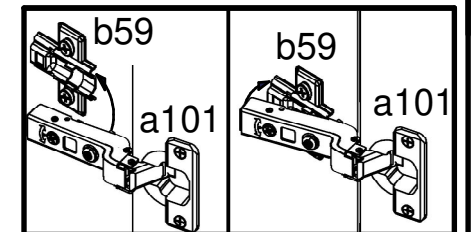
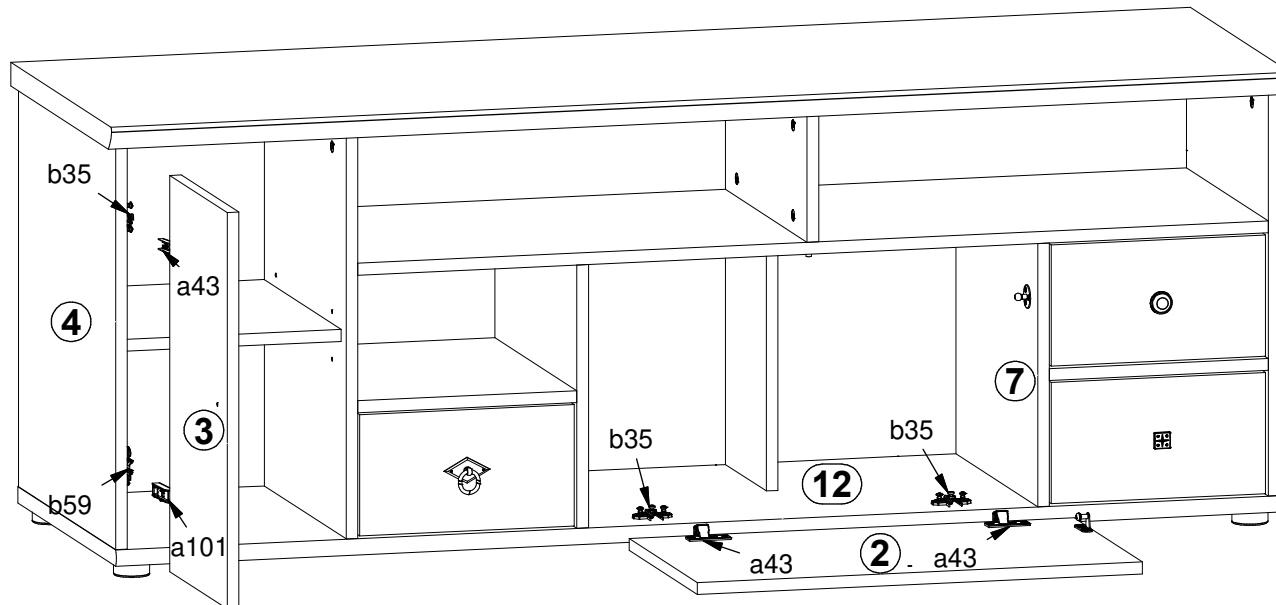
11

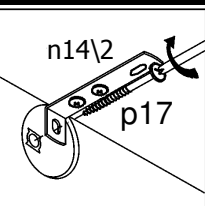
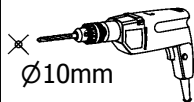
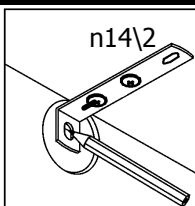


- 4x Ø3,5x15 mm p51
- 1x K16 a43
- 1x hamulec K16; 635 a101

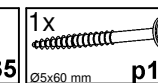
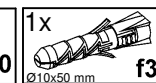
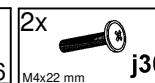
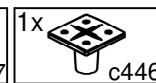
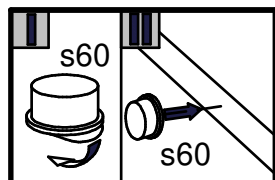
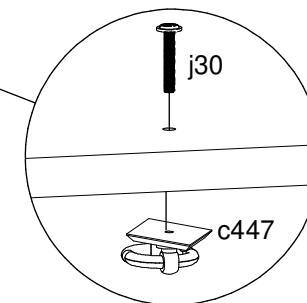
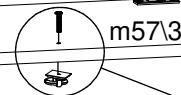
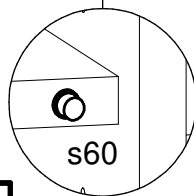
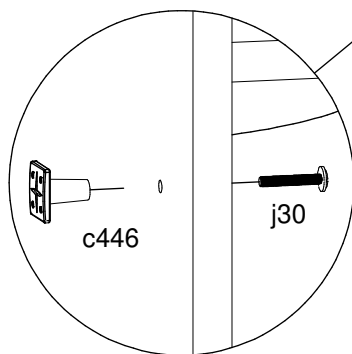
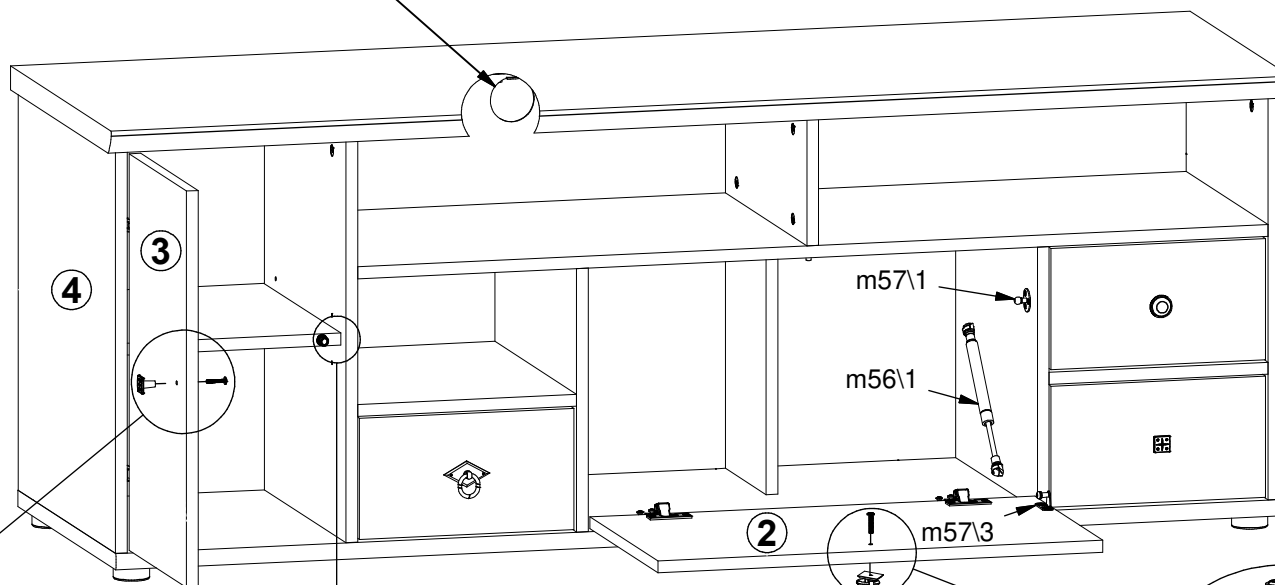
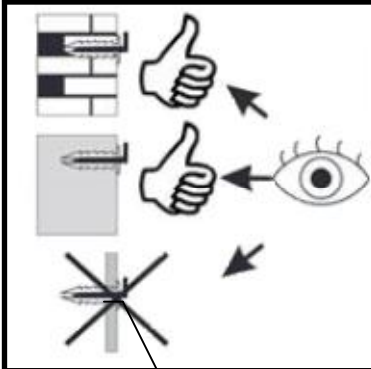
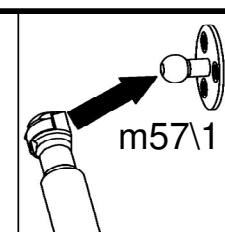
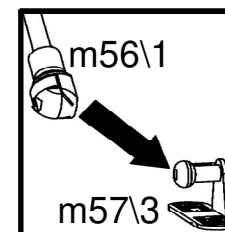
- 6x Ø3,5x15 mm p51
- 2x K16 a43
- 1x m57/3

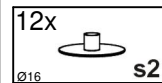
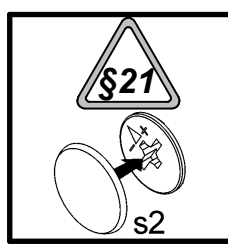
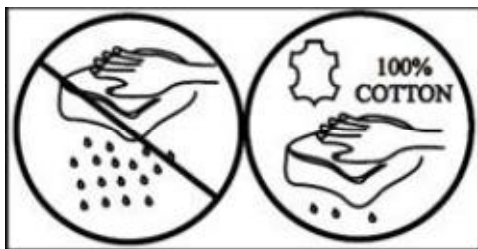
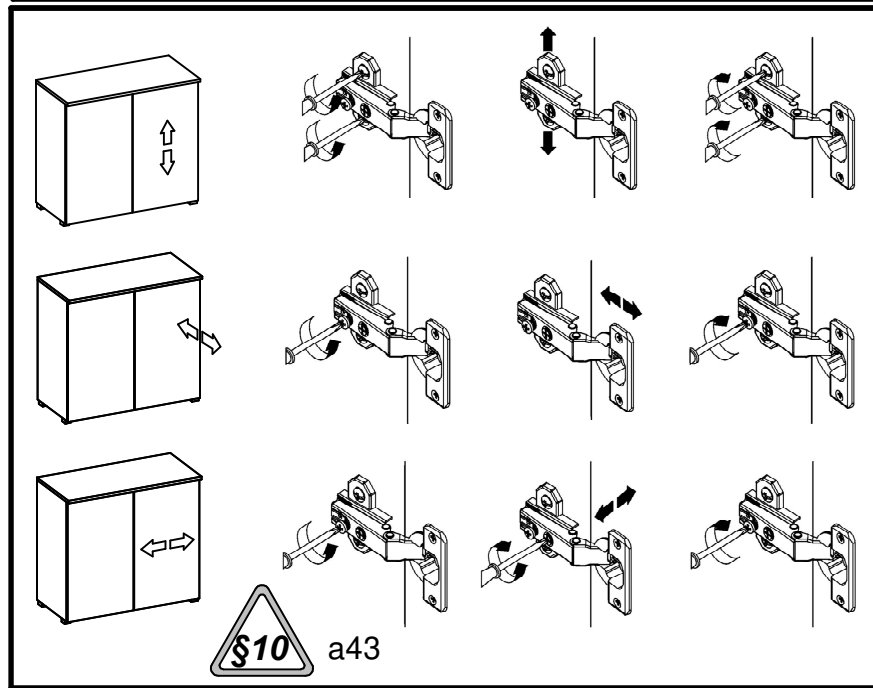
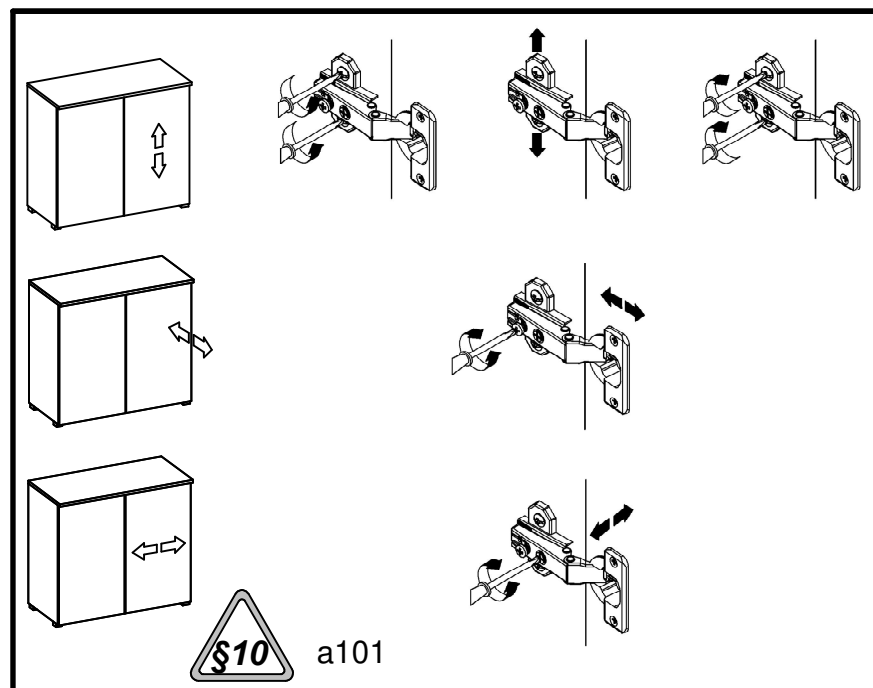
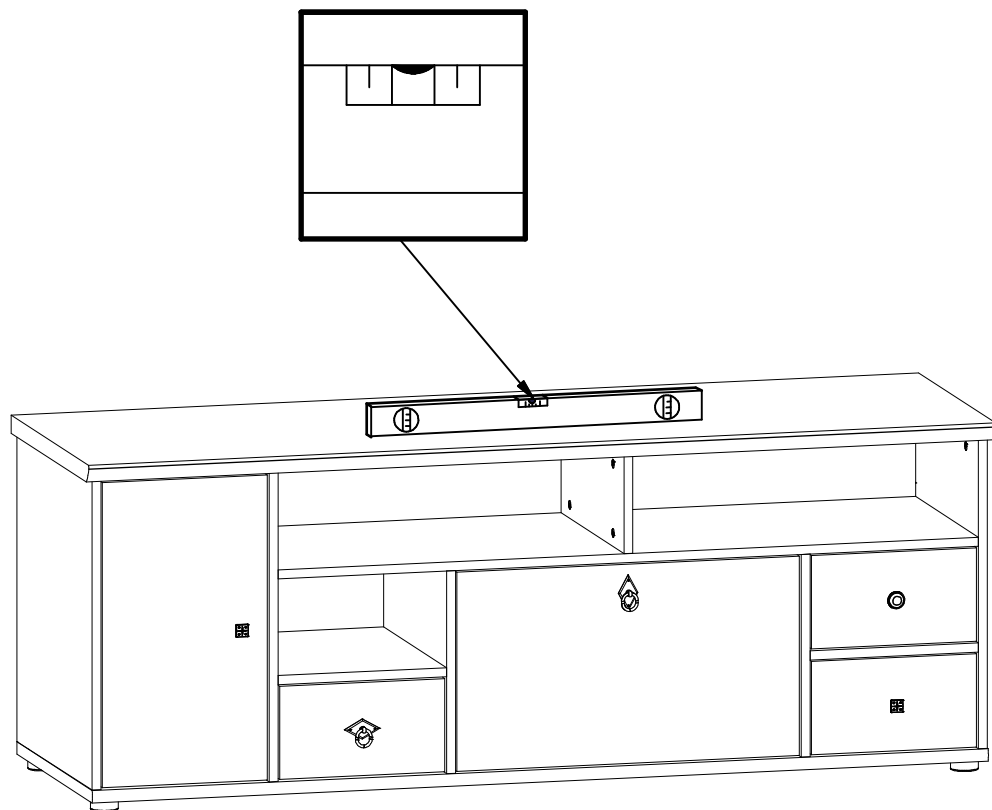
12

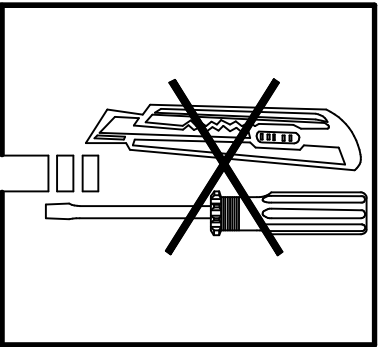
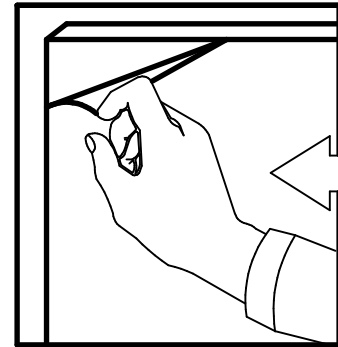
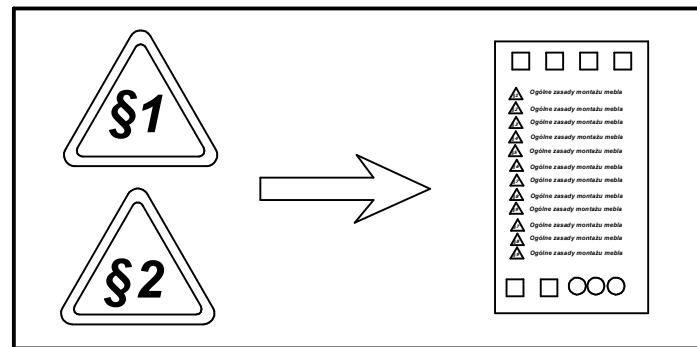
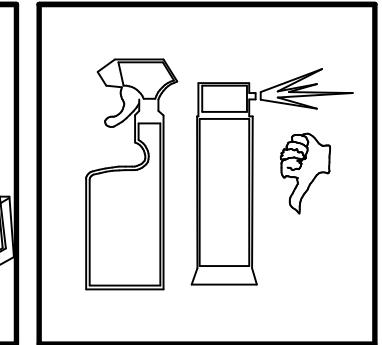
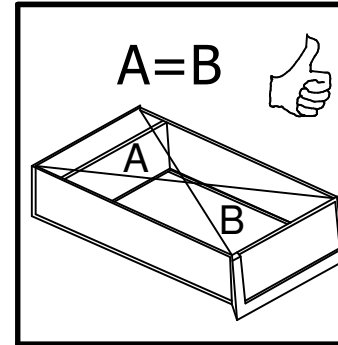
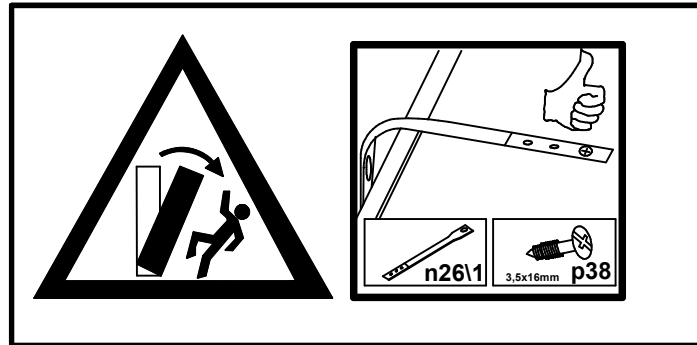
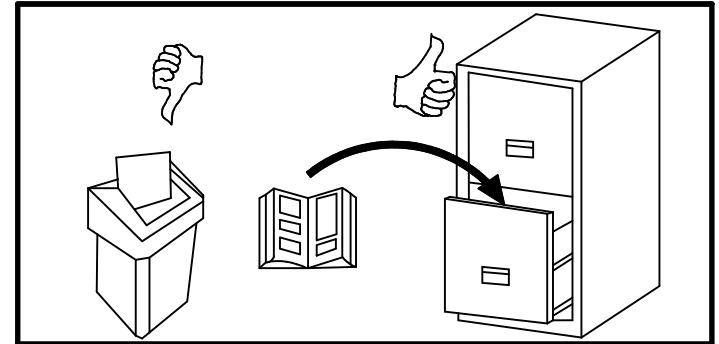
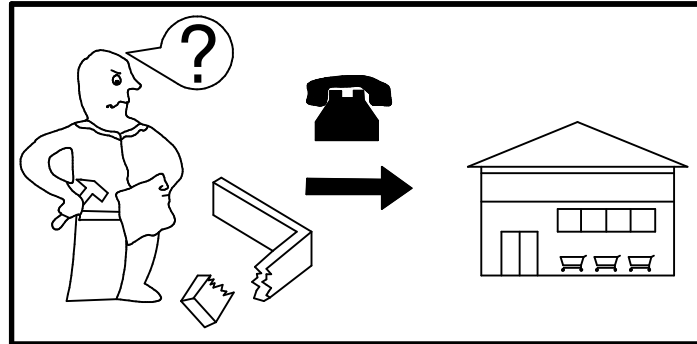
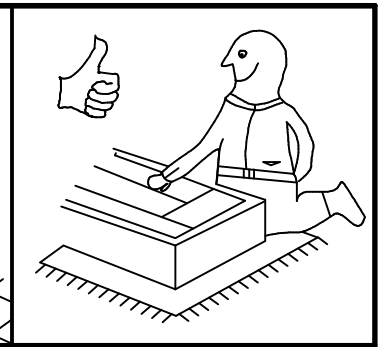
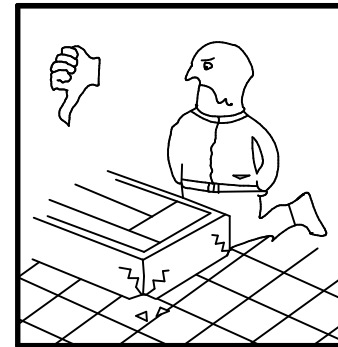
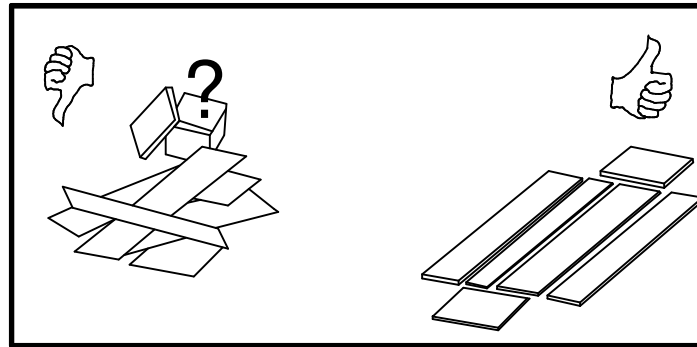
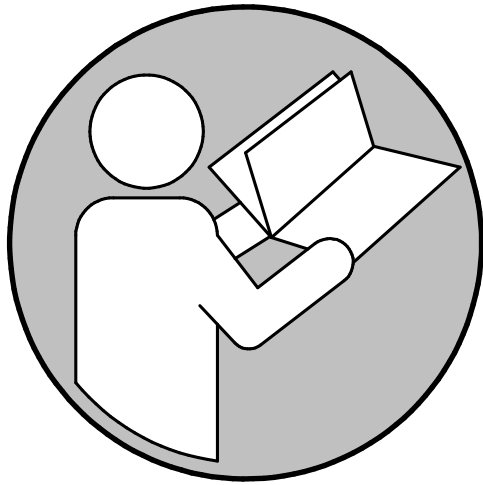




13

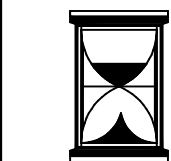
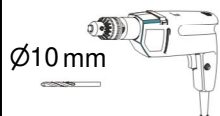
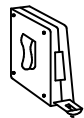
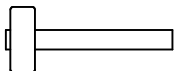
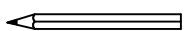
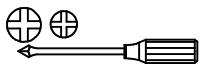
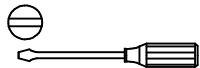
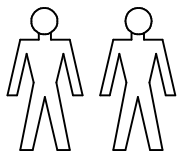




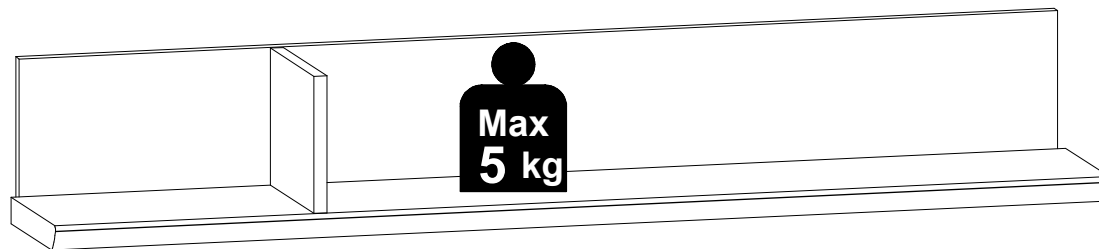


A**S248-P/2/13**

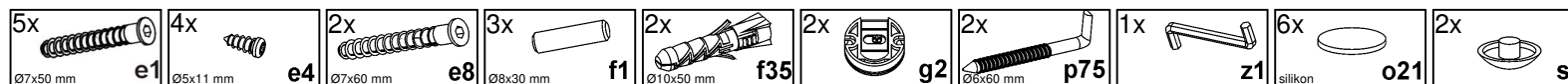
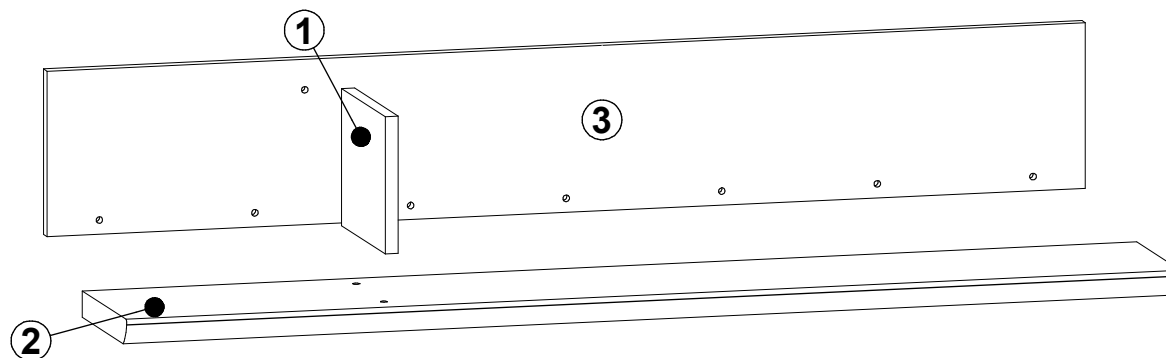
2 / 5

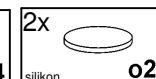
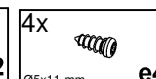
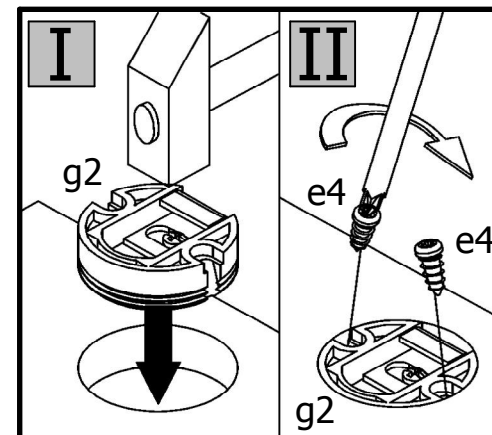
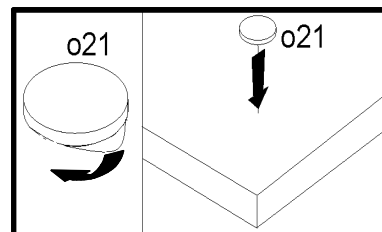
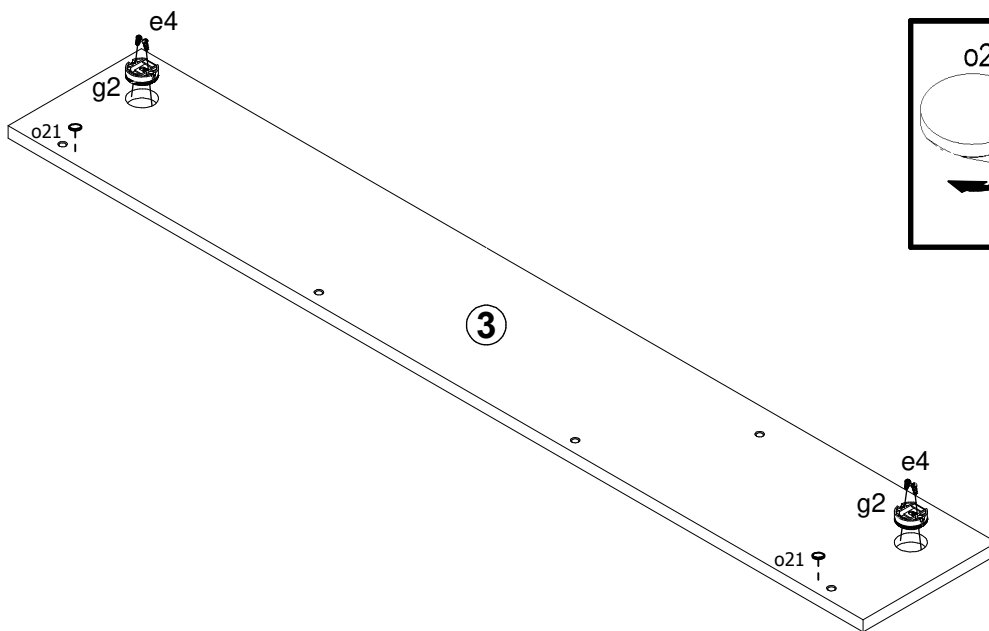
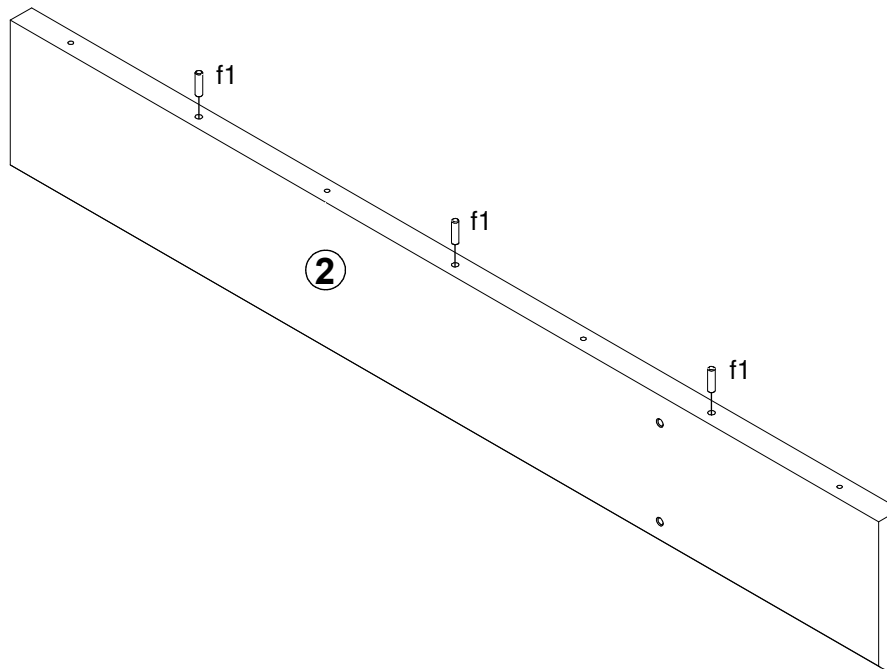
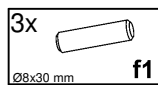
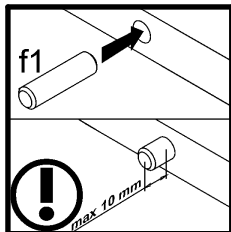


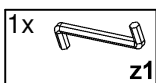
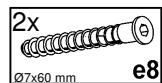
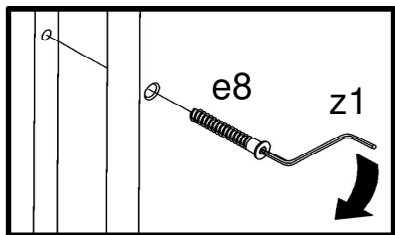
20min



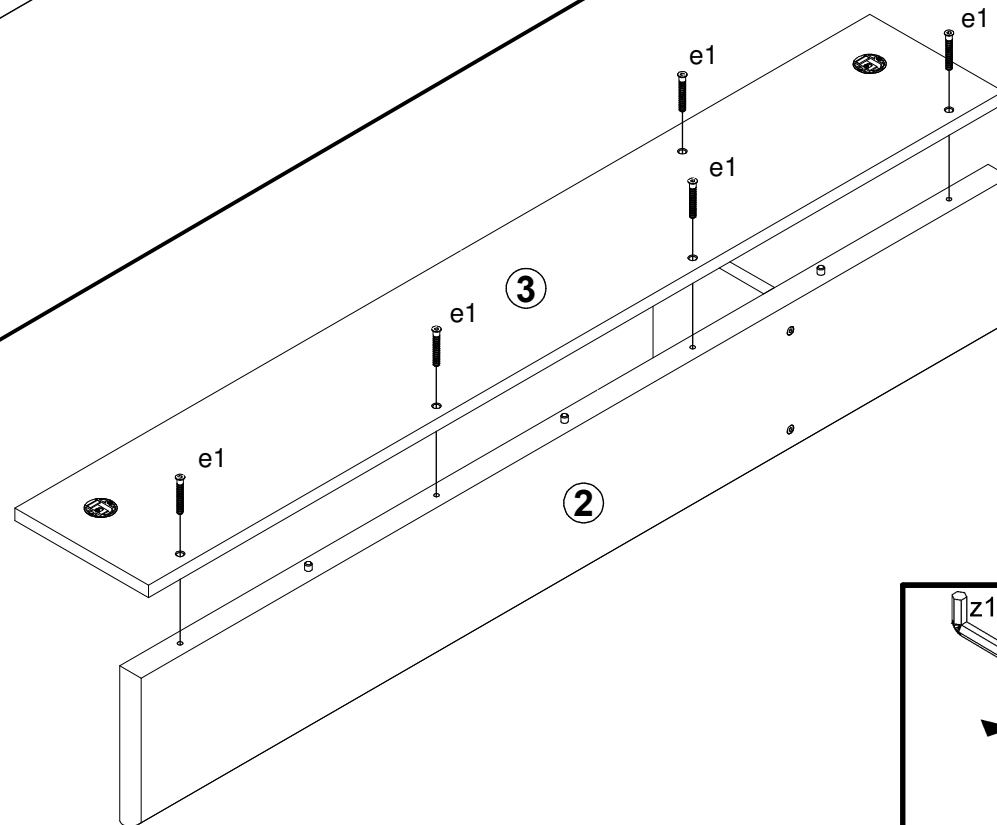
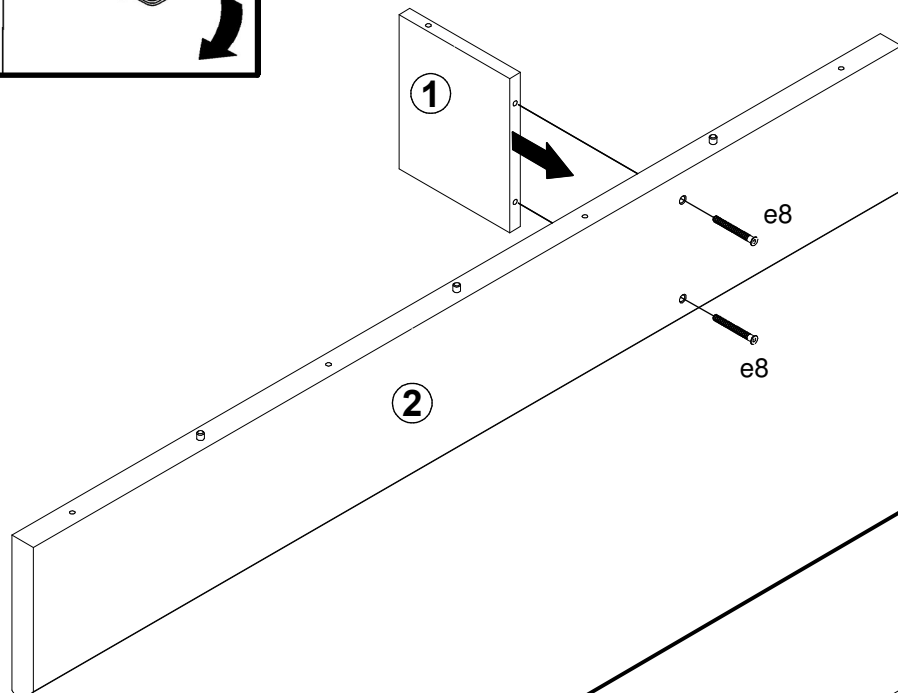
A	B	C (mm)		D
1	S248-1037	166	200	1/1
2	S248-3027	1301	204	1/1
3	S248-4302	1281	200	1/1



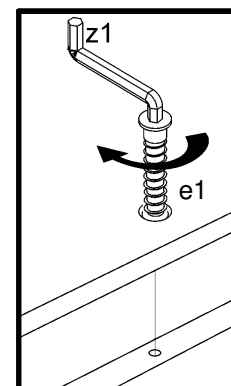
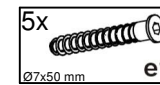




2



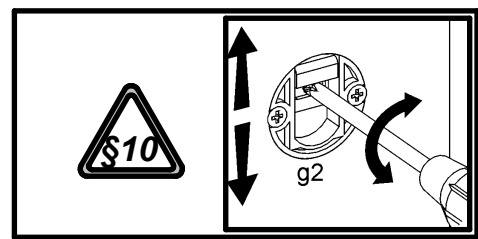
3



A

S248-P/2/13

5 / 5



4

