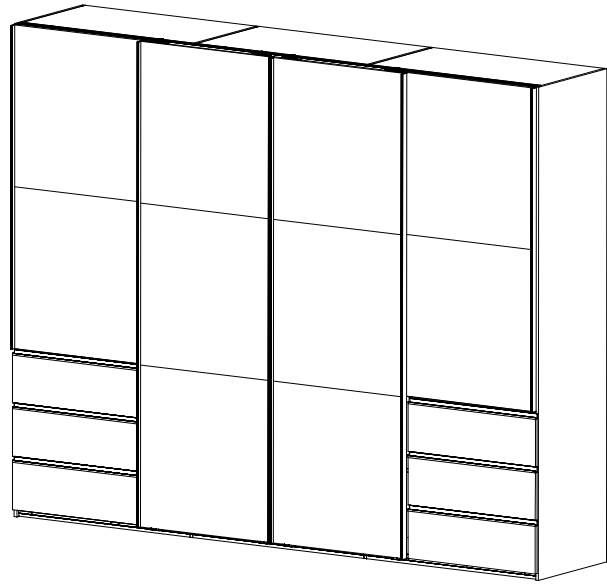
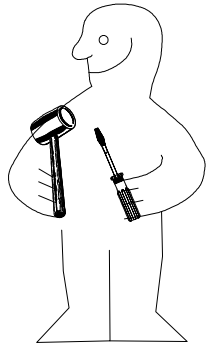
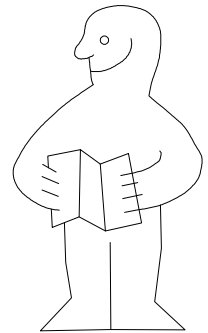
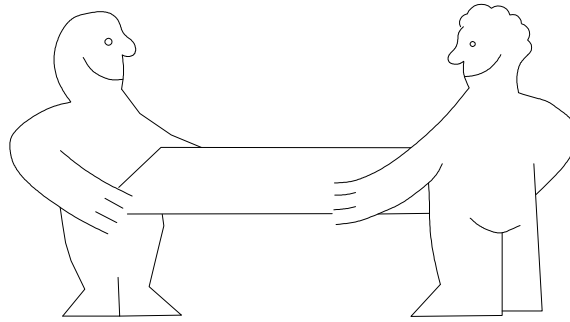
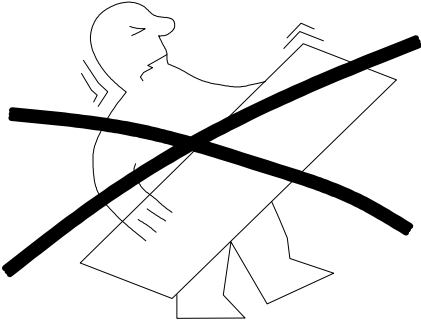




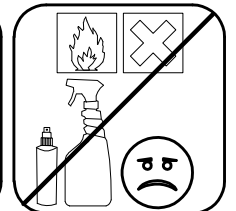
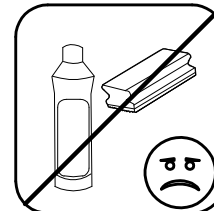
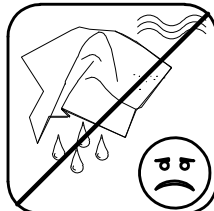
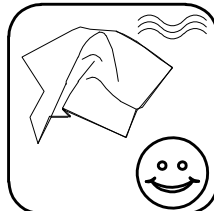
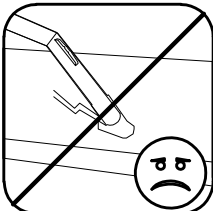
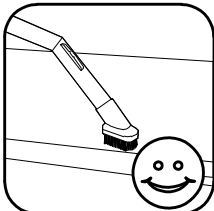
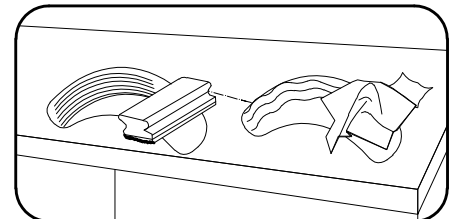
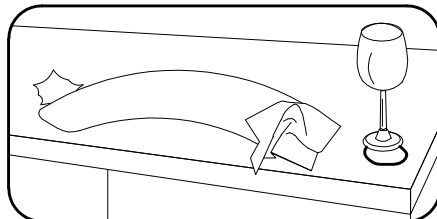
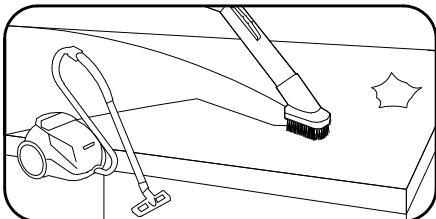
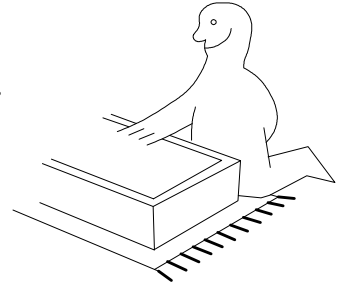
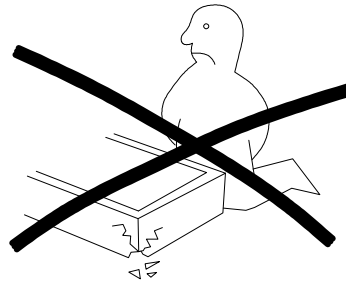
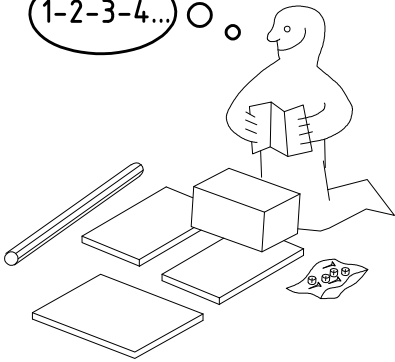
980793




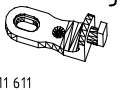
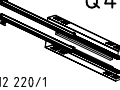
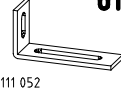
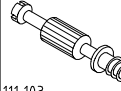


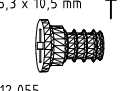
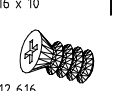

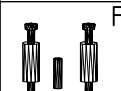
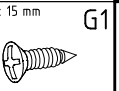
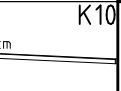

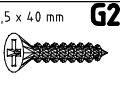
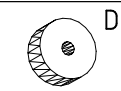
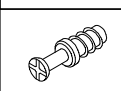

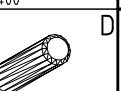

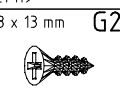
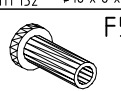



SHSP 300 4trg Sy ASK

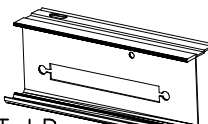


1-2-3-4... ○





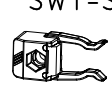

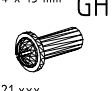
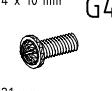
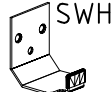


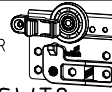
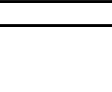
 A1 111 xxx	24x	 S0 111 300	15x	 K2 117 002	6x	 J2 111 611	15x	 Q45 112 220/1	6x	 o10 111 052	1x
 C 111 103	8x	 V12 111 xxx φ12 3,5 x 15 mm	15x	 SBV 112 002	36x	 T1 112 055	36x	 T3 112 616	12x	 SP13 4 X 13mm 121 122	4x
 F3 111 229	8x	 G1 121 370	42x	 K10 100cm 112 400	3x	 L8 111 607	24x	 G25 3,5 x 40 mm 121 119	14x	 D8 111 152 φ18 x 8 x 4	12x
 F 111 229	8x	 VB23 111 252	8x	 D 353 018 φ8 x 30	4x	 Z 163 007	4x	 G21 3 x 13 mm 121 113	24x	 F5 111 xxx φ5 x 15 x M4	12x

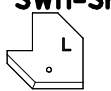
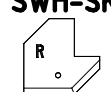



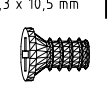
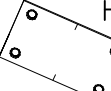
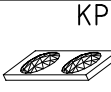
1x  FPK
1453/1940/2430/2920/3408




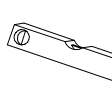
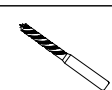
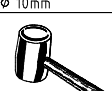
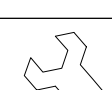


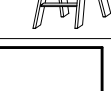

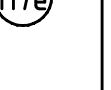

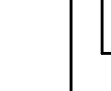


1x  SWT-LP
1453/1940/2430/2920 SY
/3410 SY

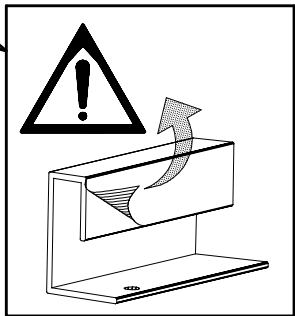
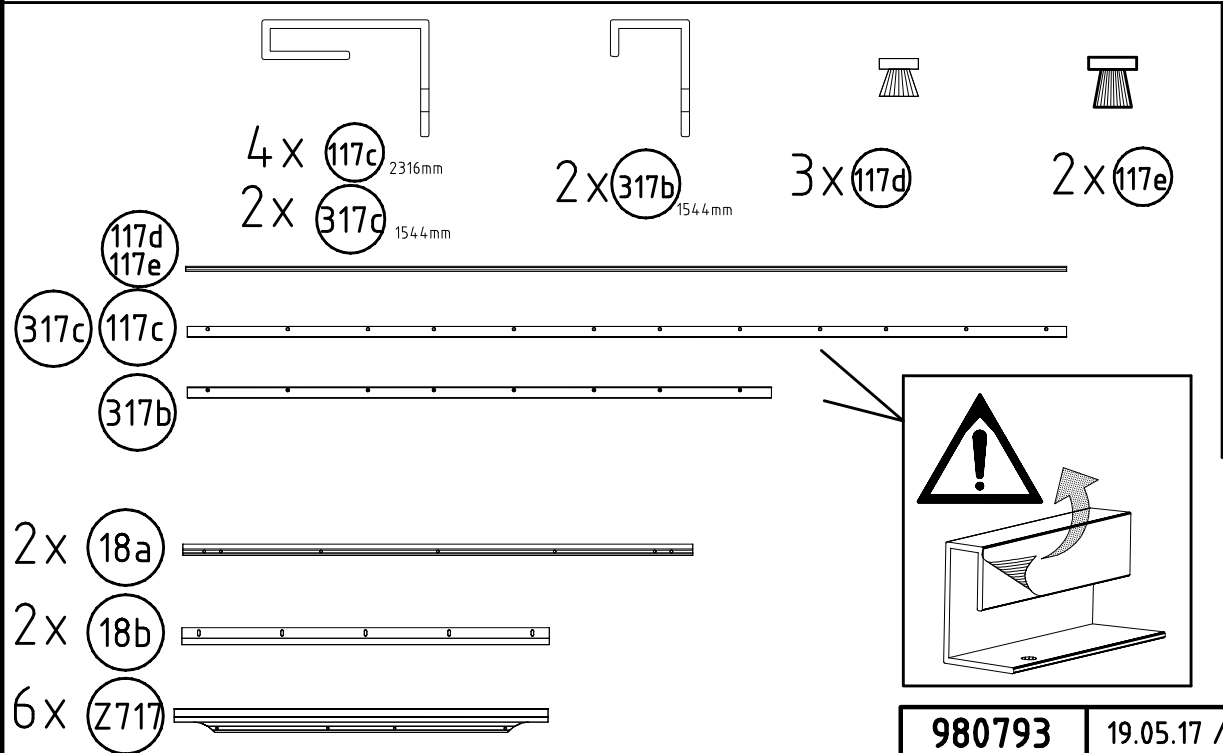
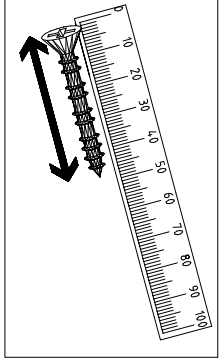
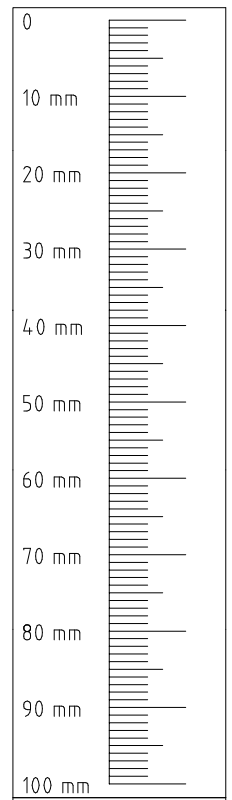


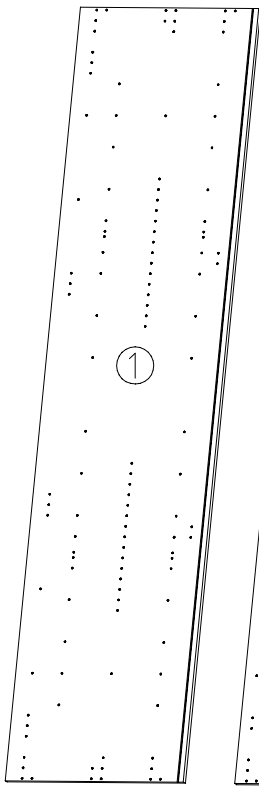
 SWT 1	4x
 SWT 2	2x

 SWT-ST	2x
 SWT-SM5 M4 x 13 mm	2x
 GH13 121 xxx	6x
 G43 M4 x 10 mm	6x
 121 xxx	6x
 SWH 6 3,5 x 15 mm	4x
 G1 121 370	2x
 L SWT 8	1x
 R SWT 9	1x

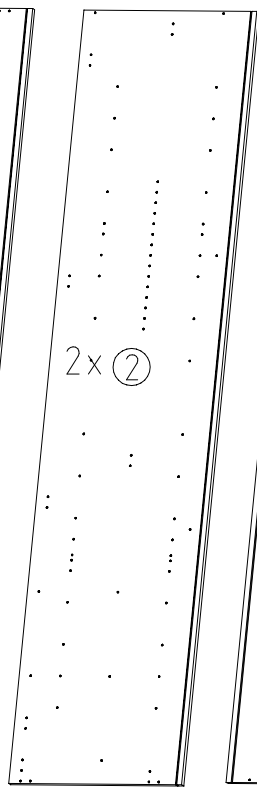
 SWH-SKL L	1x
 SWH-SKR R	1x
 G24 3,5 x 22 mm	9x
 G14 3,5 x 35 mm	2x
 SP13 4 X 13mm 121 122	118x
 T2 6,3 x 10,5 mm 111 030	34x
 H5 114 183	6x
 KP8 352 302	4x

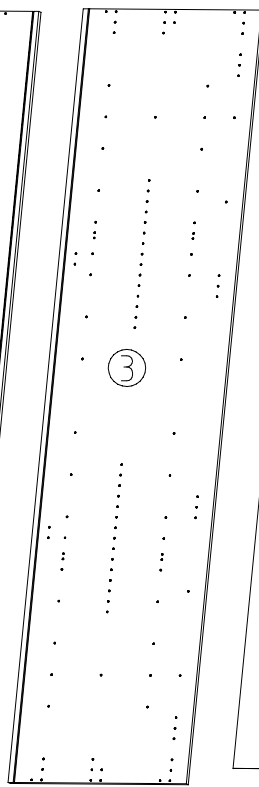




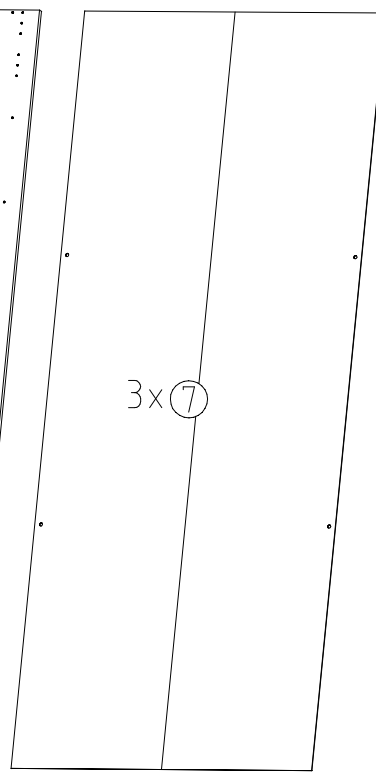
2352x577x15



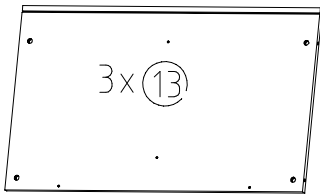
2352x560x15



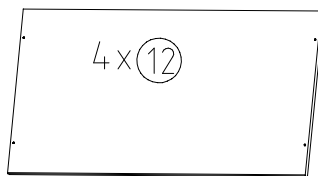
2352x577x15



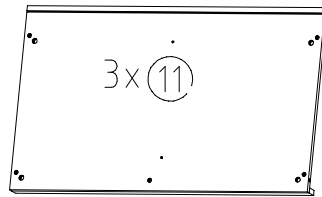
2303x973x2,5



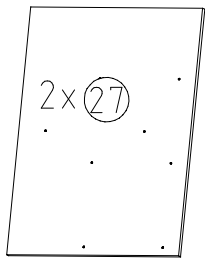
964x560x15



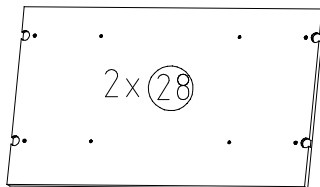
964x500x18



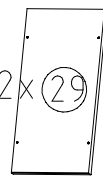
964x560x47



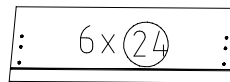
753x557x15



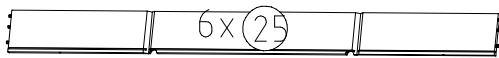
964x540x22



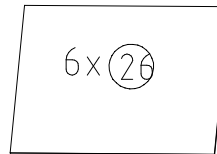
250x500x18



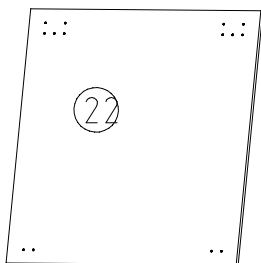
717x227x15



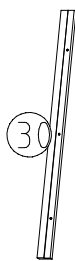
450/675/450x126x12



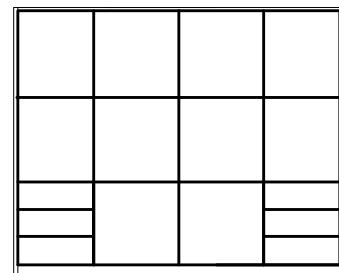
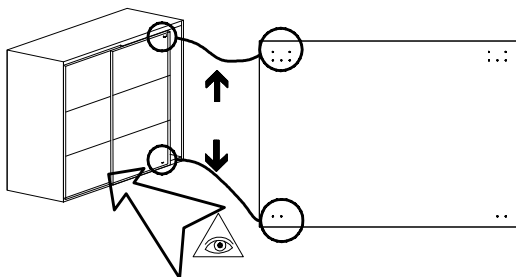
661x449x2,5



10x 745x772x15

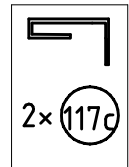
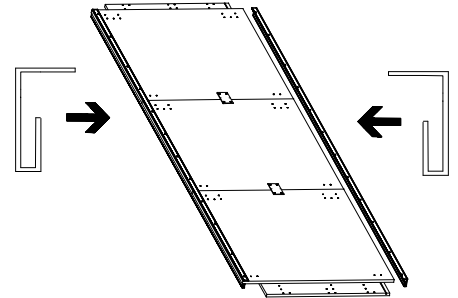
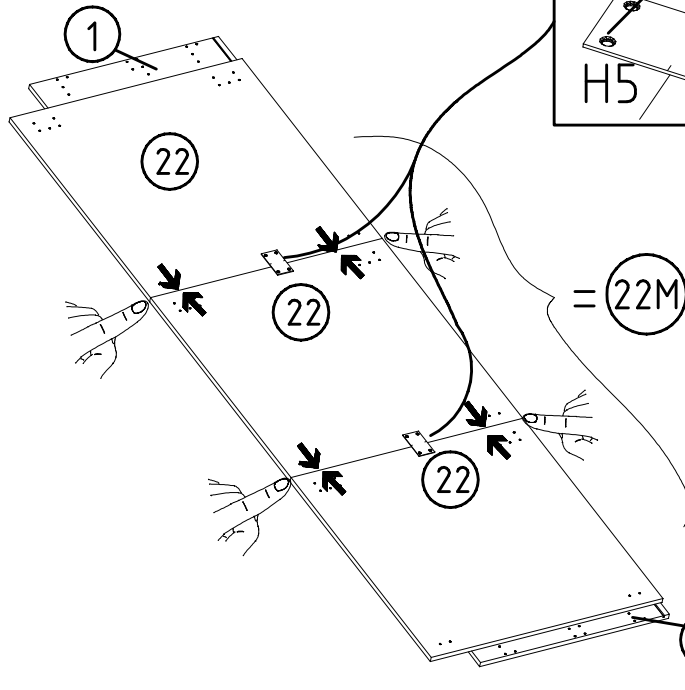
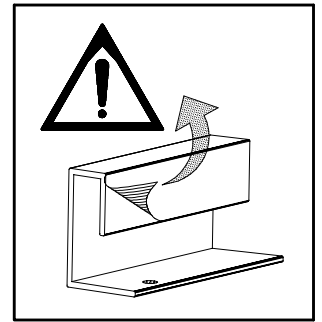
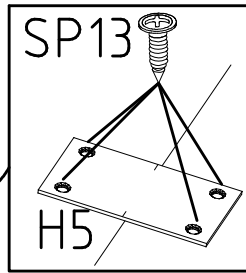
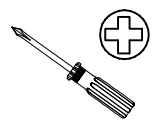
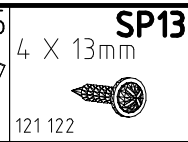
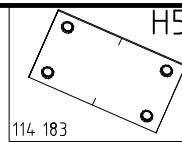
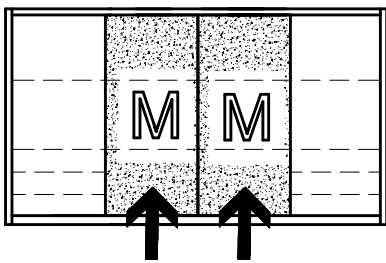


2x750x42x16

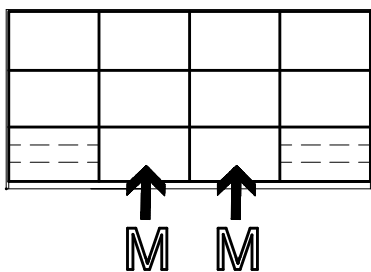
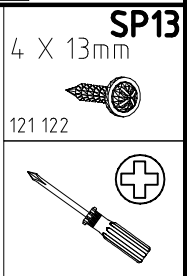
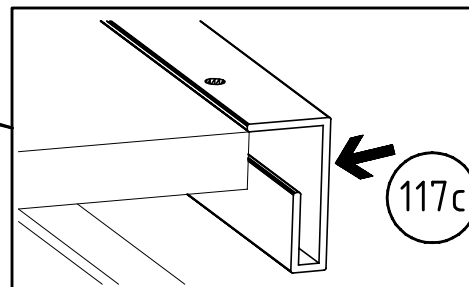
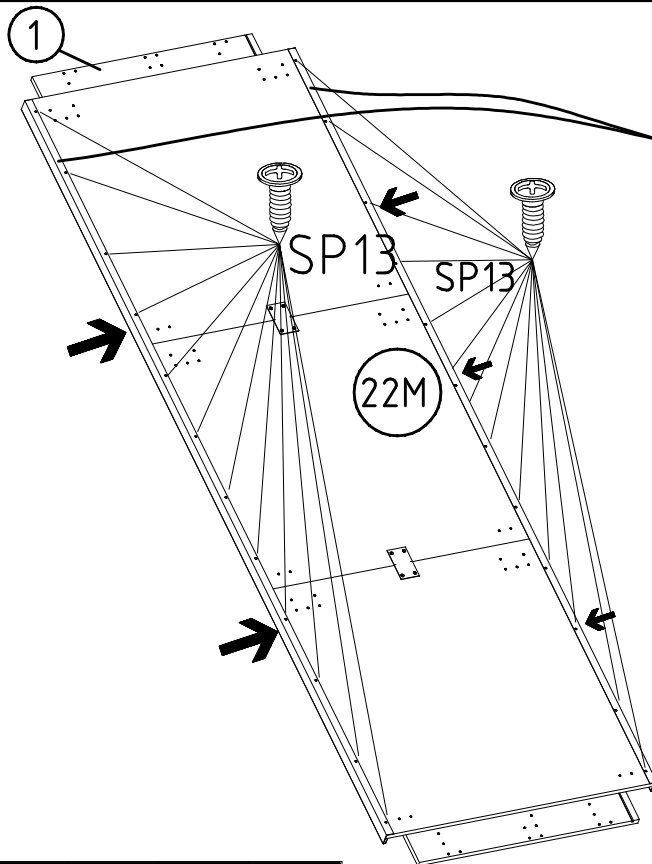


L M M R

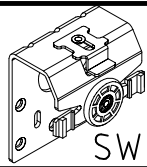
1



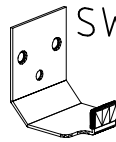
2



3



SWT 1



SWH 6

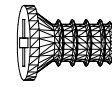
4 X 13mm

SP13

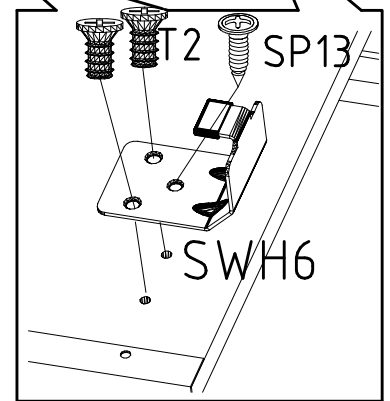
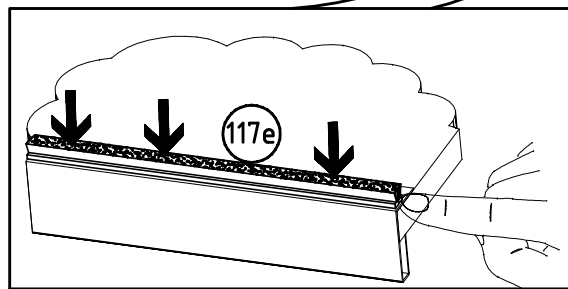
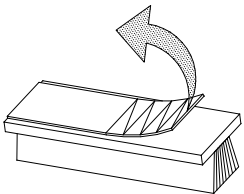
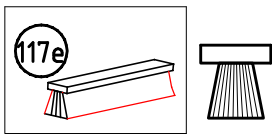
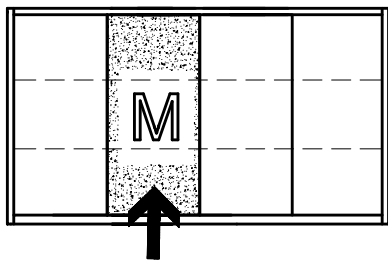
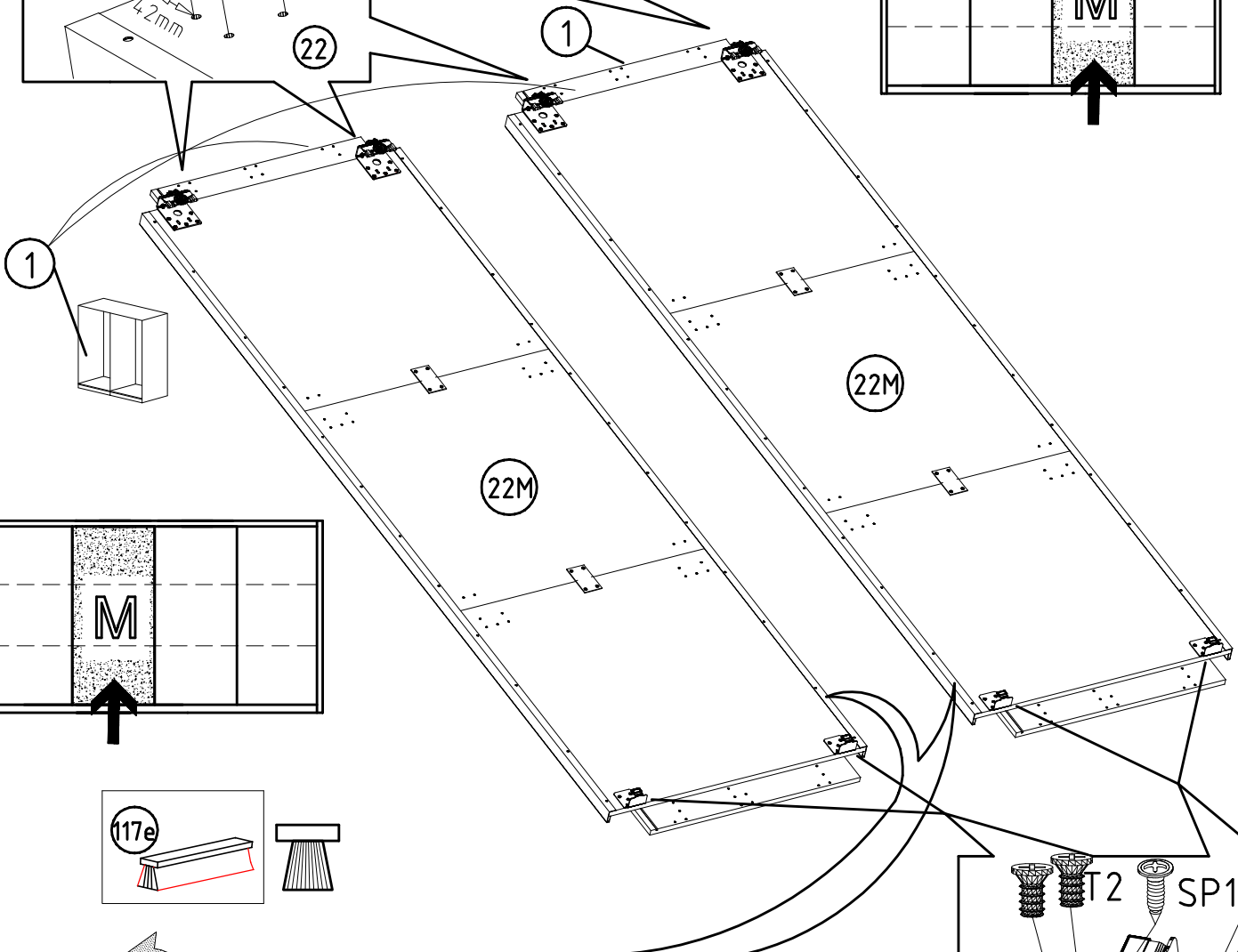
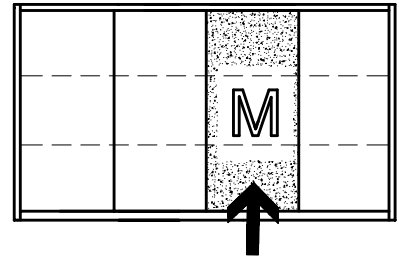
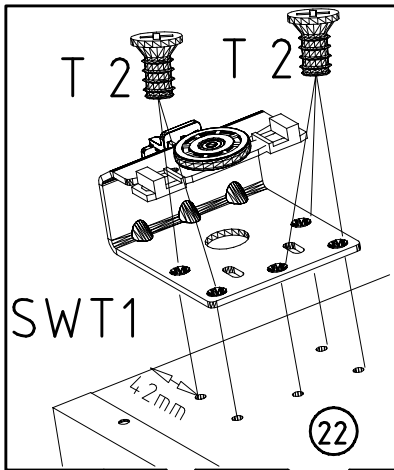
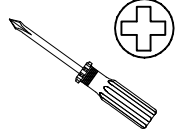
6,3 x 10,5 mm T2



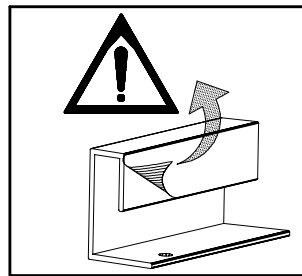
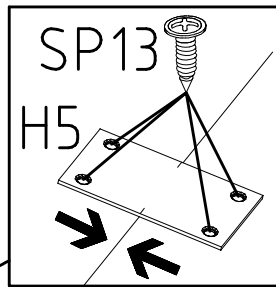
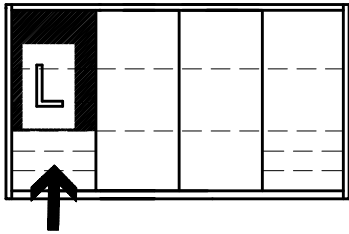
121 122



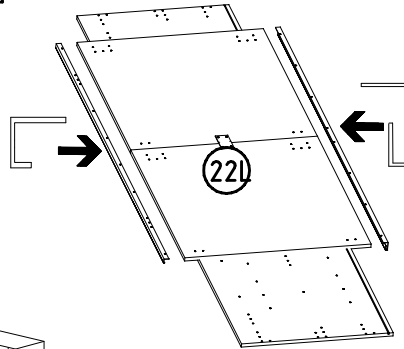
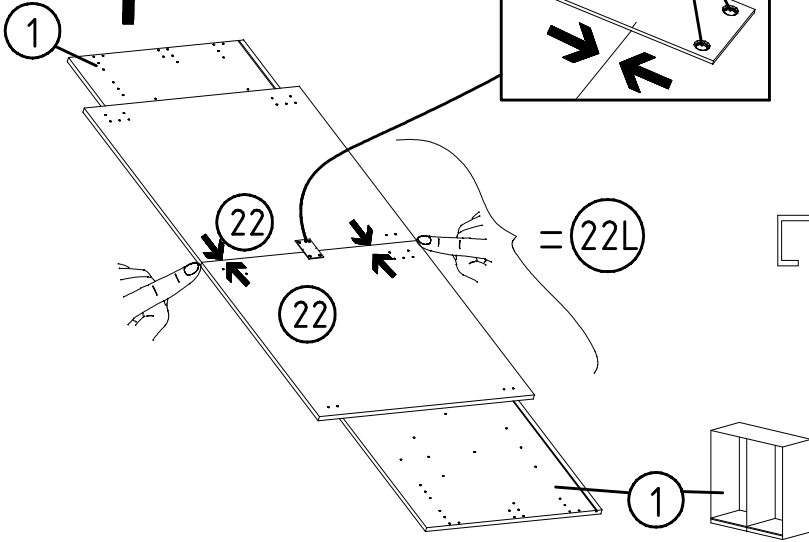
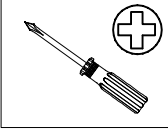
111 030



4

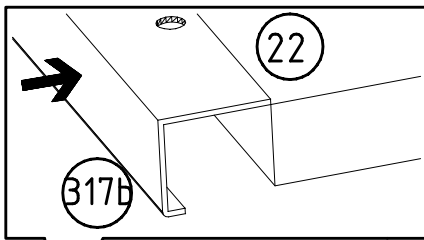


H5 4 X 13mm SP13
114 183 121 122

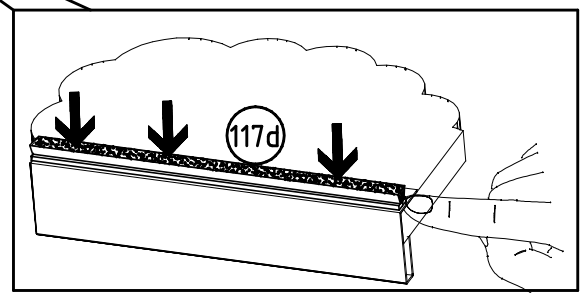
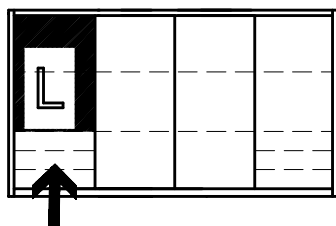
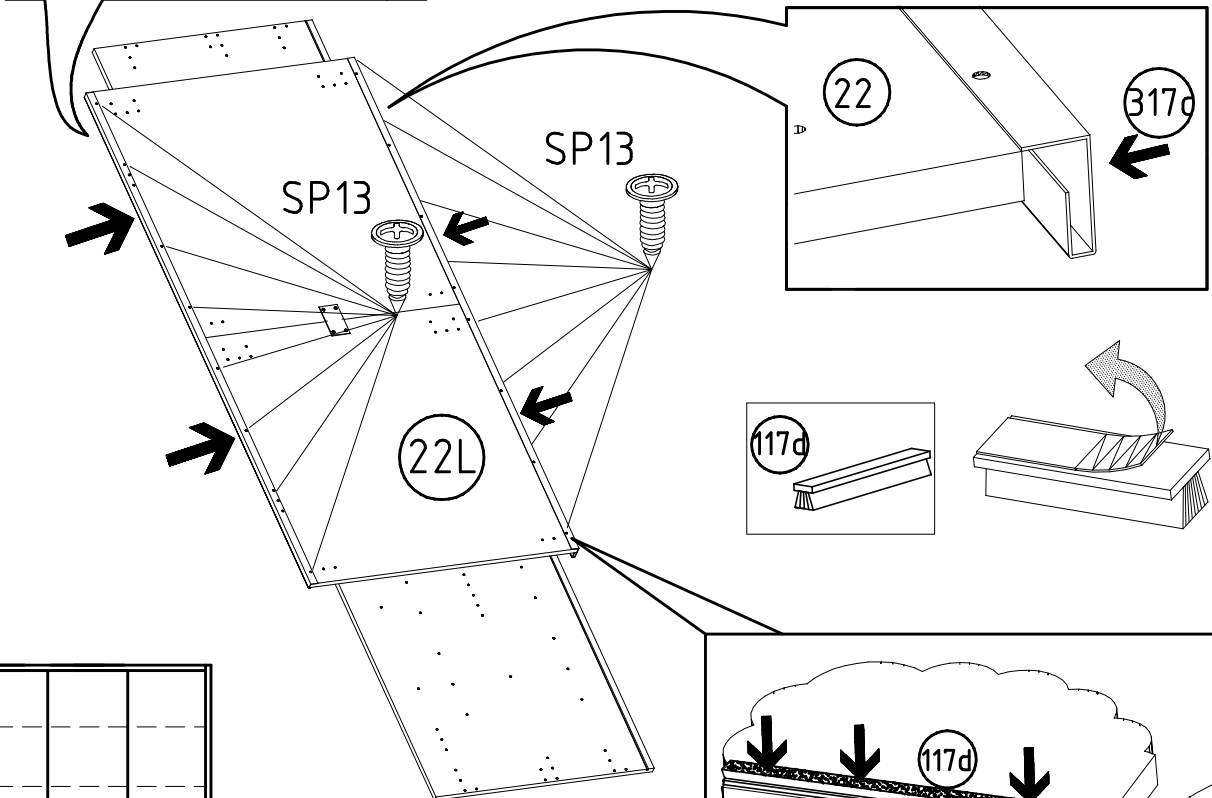
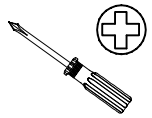


1x B17c 1x B17b

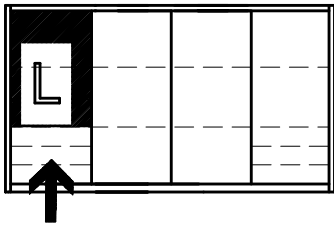
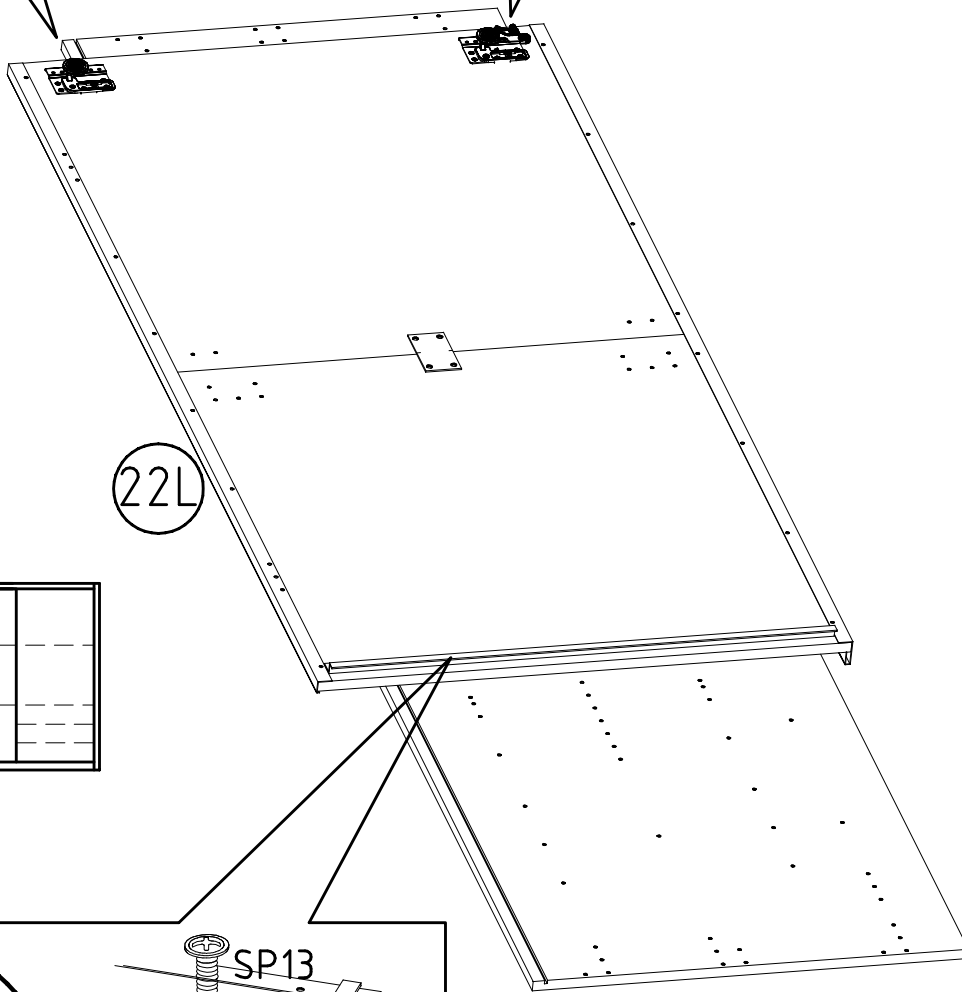
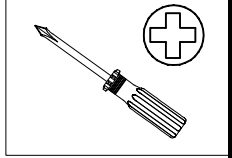
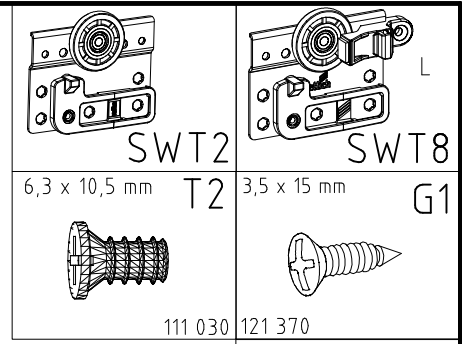
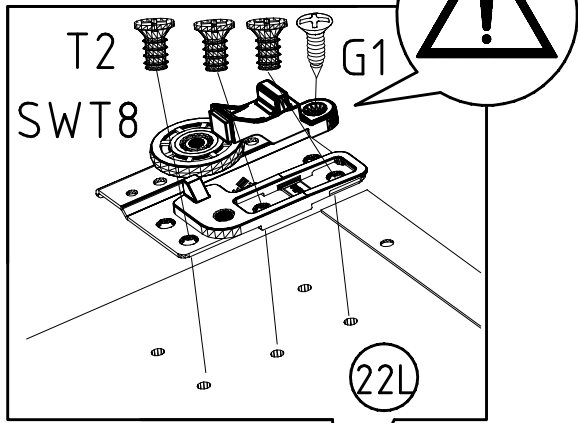
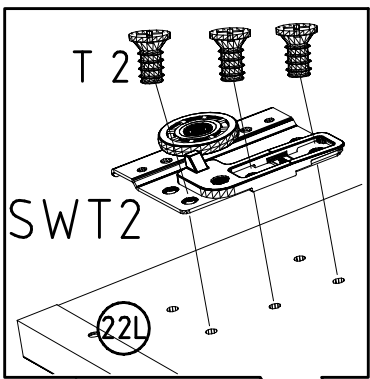
5



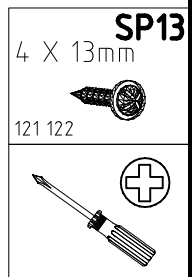
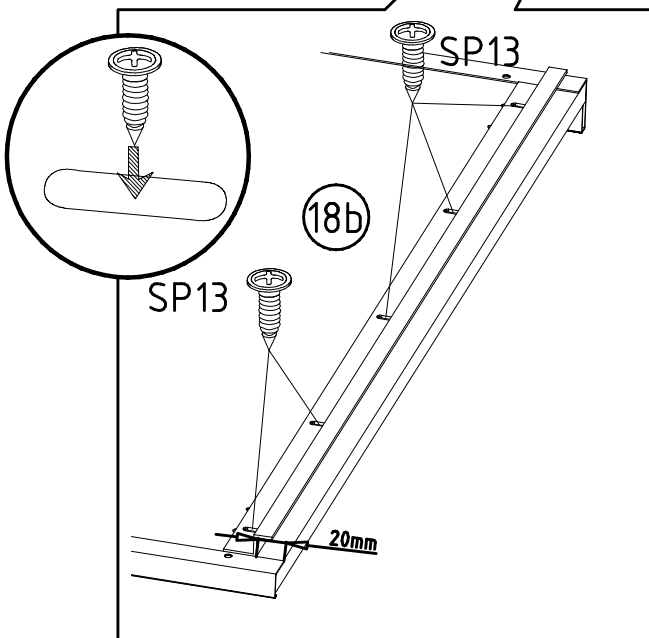
4 X 13mm SP13 121 122



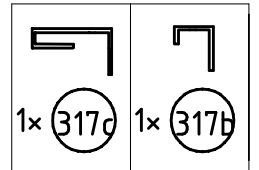
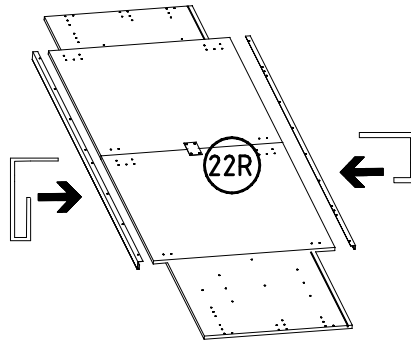
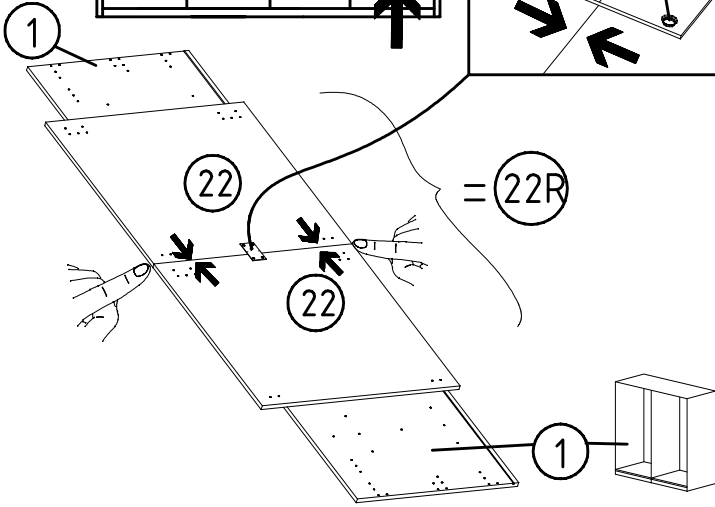
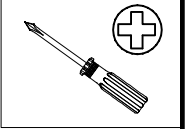
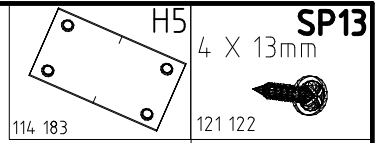
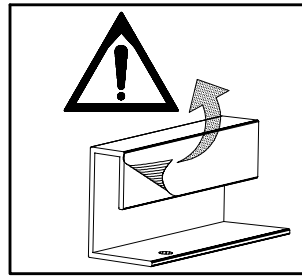
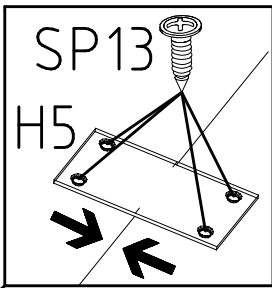
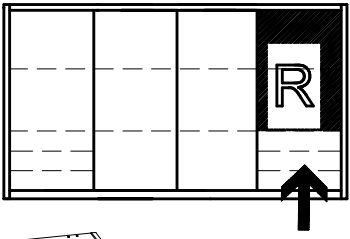
6



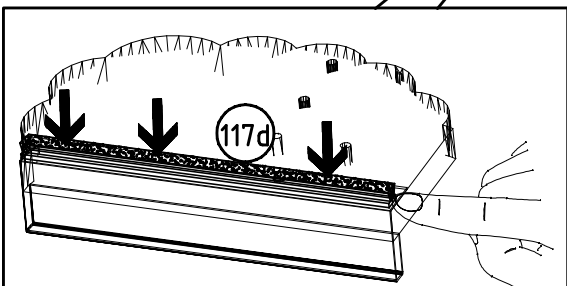
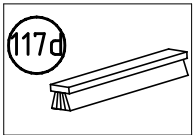
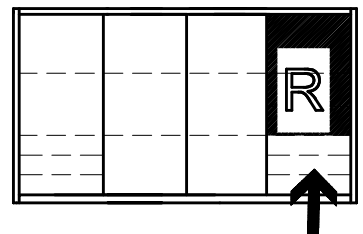
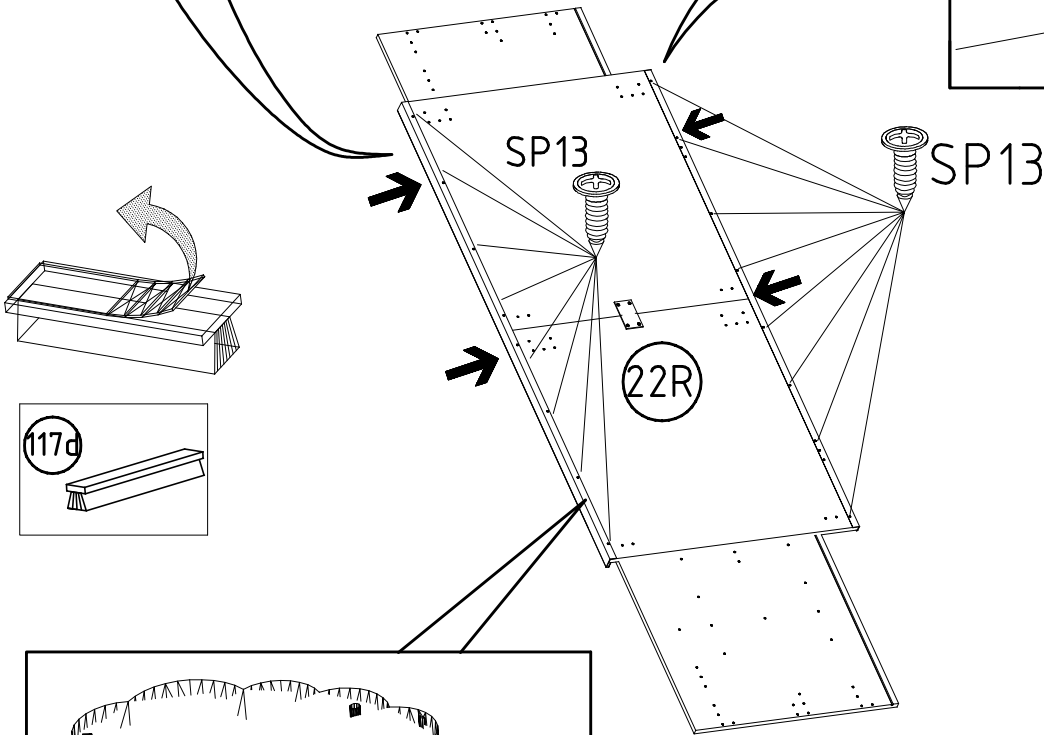
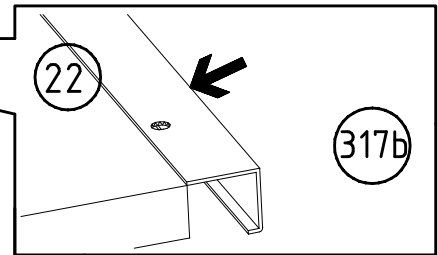
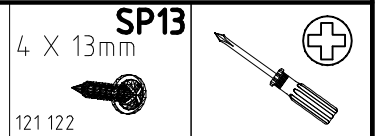
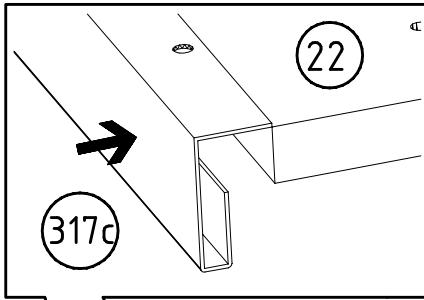
7



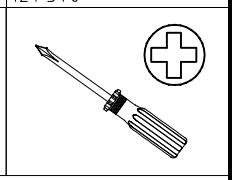
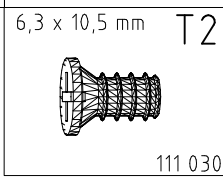
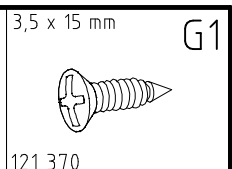
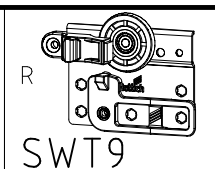
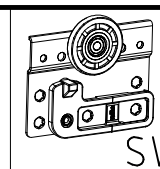
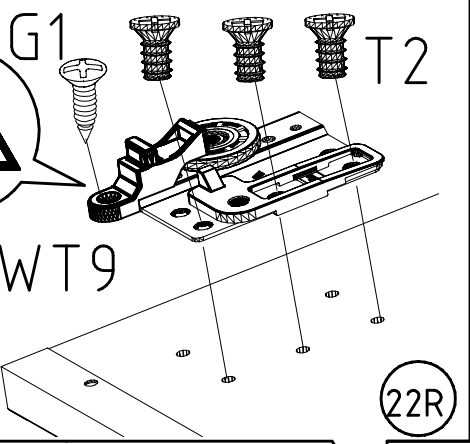
8



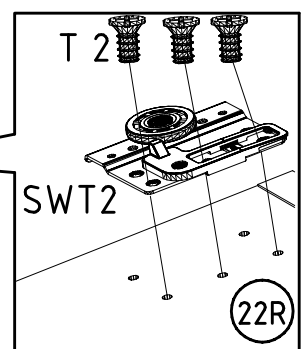
9



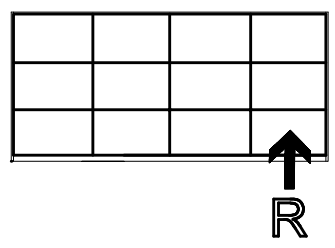
10



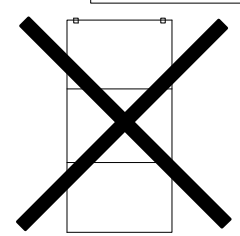
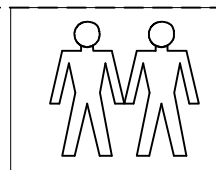
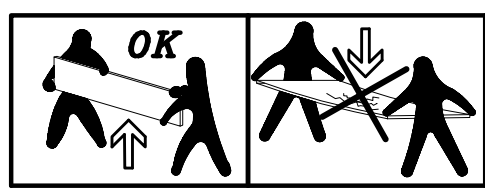
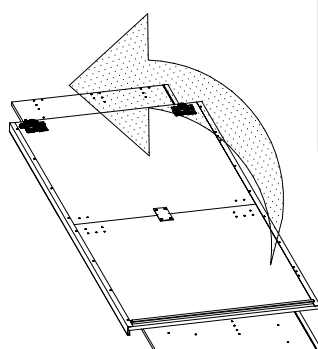
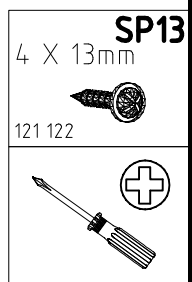
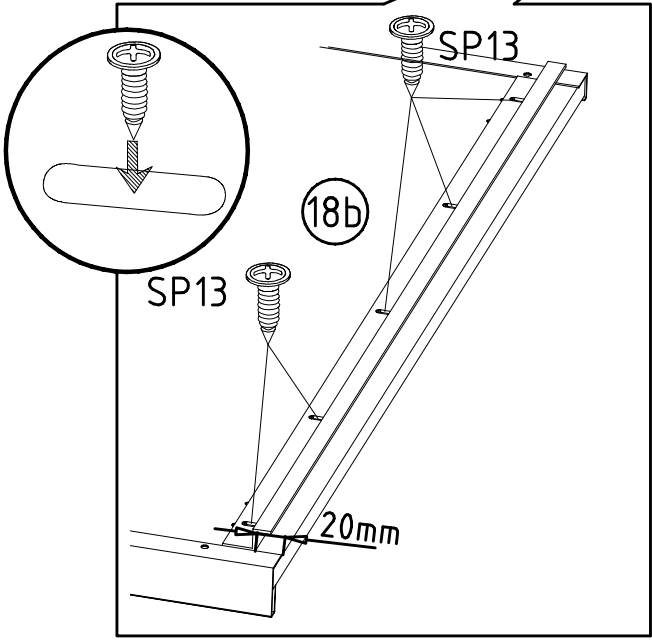
22R



22R



11



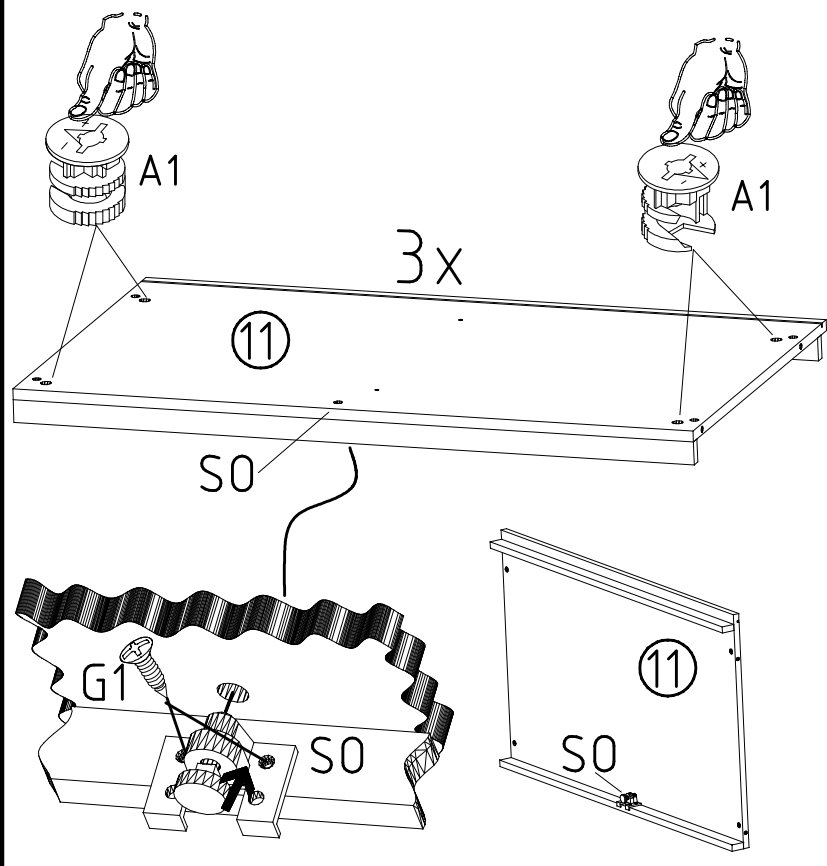
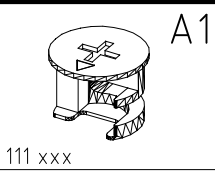
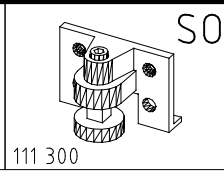
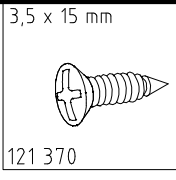
980793

19.05.17 / -

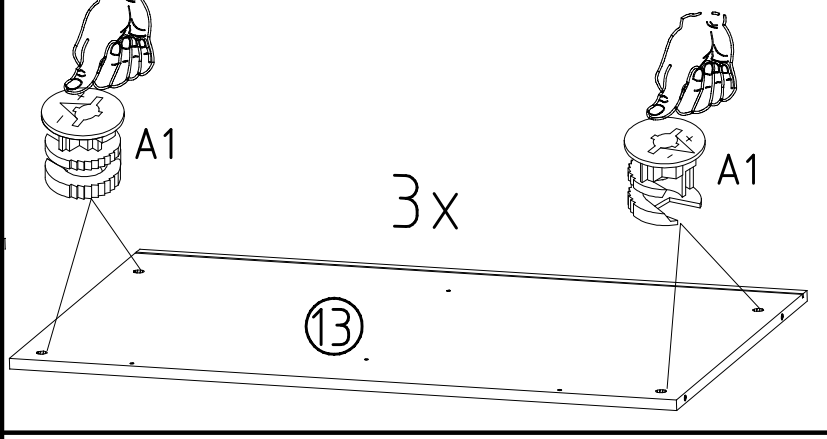
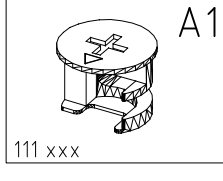
05 17

9/26

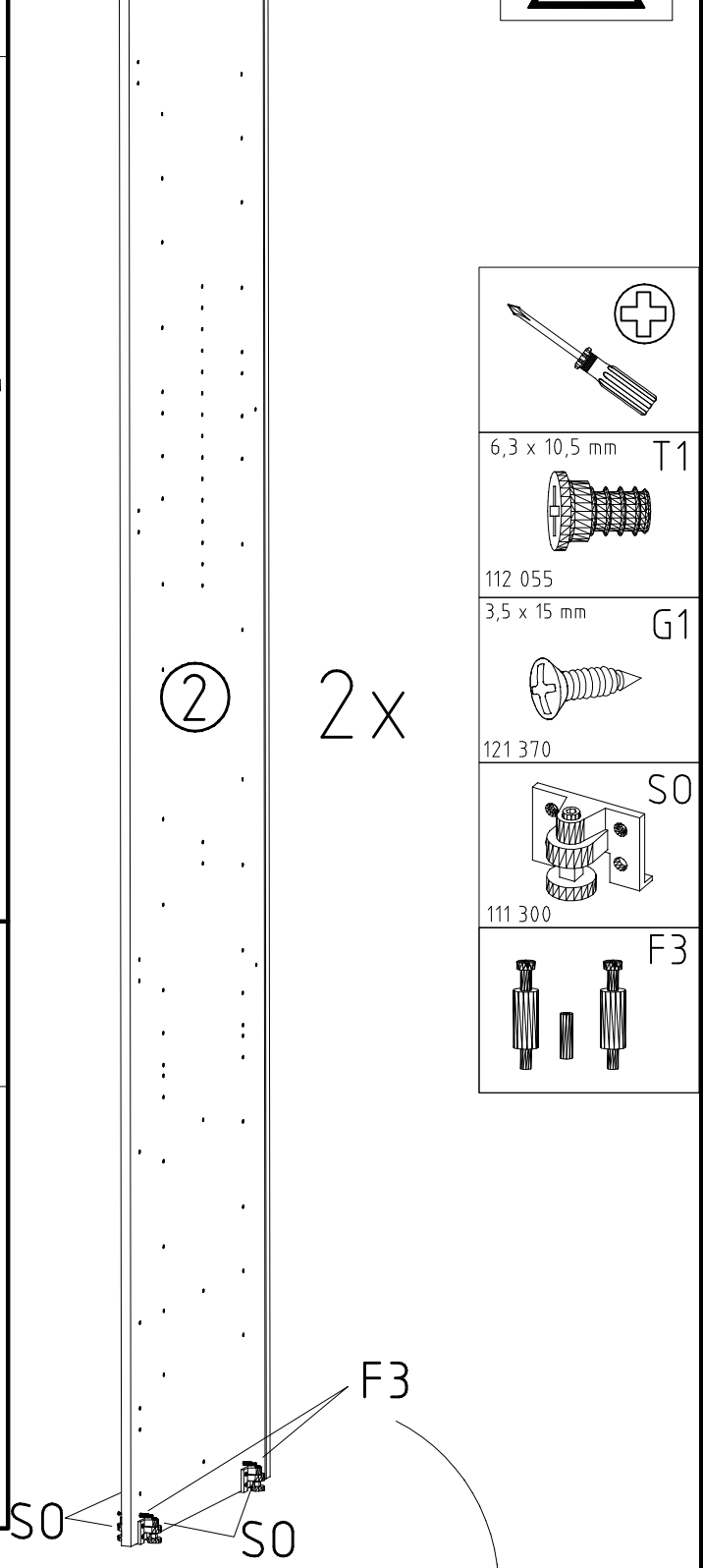
12



13



14

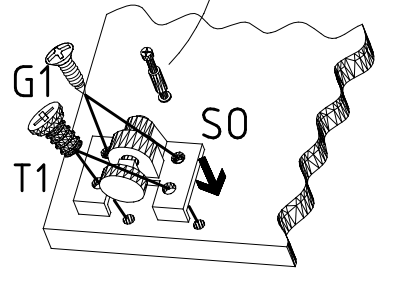
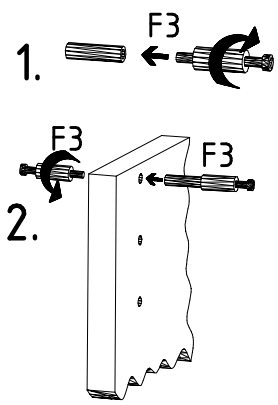


6,3 x 10,5 mm
T1
112 055

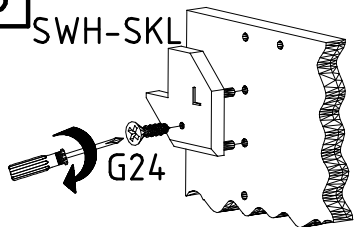
3,5 x 15 mm
G1
121 370

S0
111 300

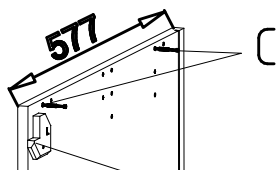
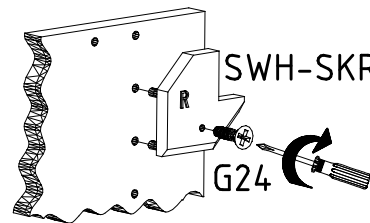
F3



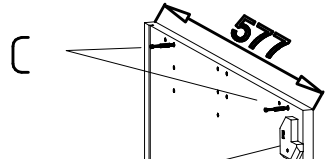
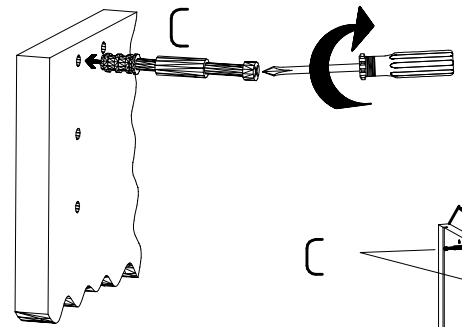
SWH-SKL



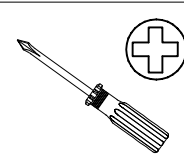
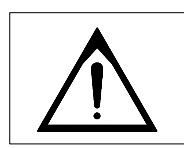
SWH-SKR



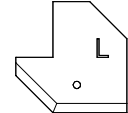
SWH-SKL +G24



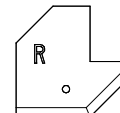
SWH-SKR +G24



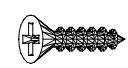
SWH-SKL



SWH-SKR

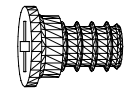


3,5 x 22 mm G24



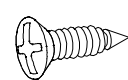
121 004

6,3 x 10,5 mm T1

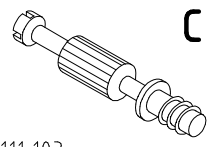


112 055

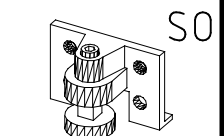
3,5 x 15 mm G1



121 370



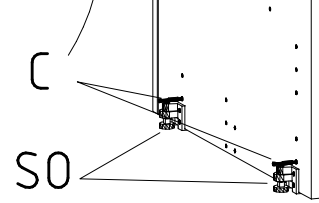
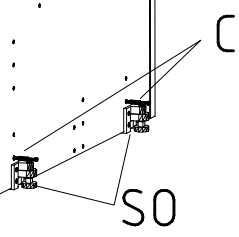
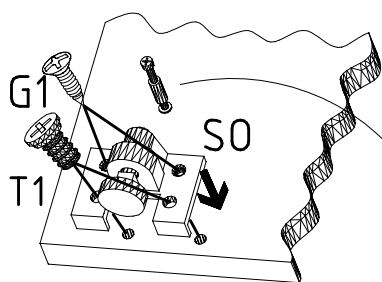
111 103



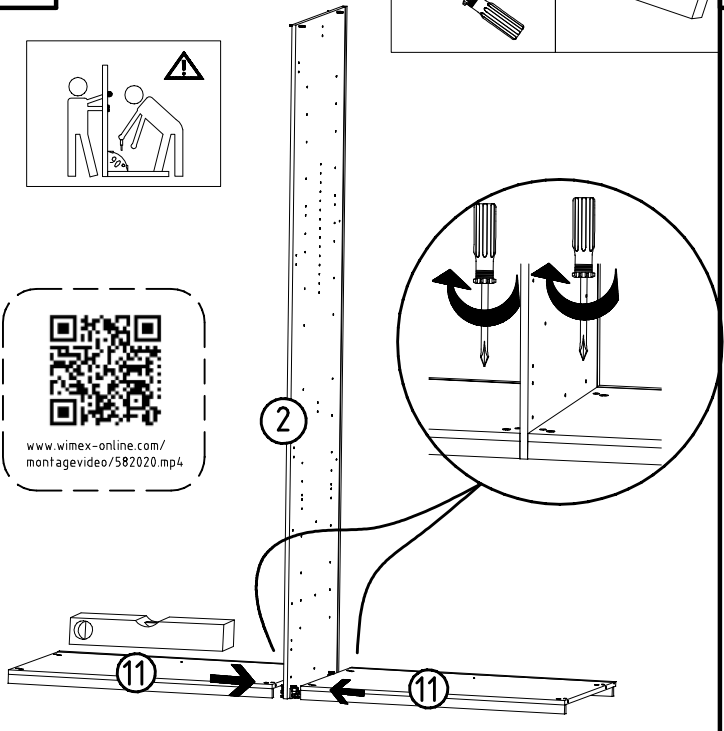
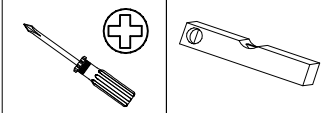
111 300

1

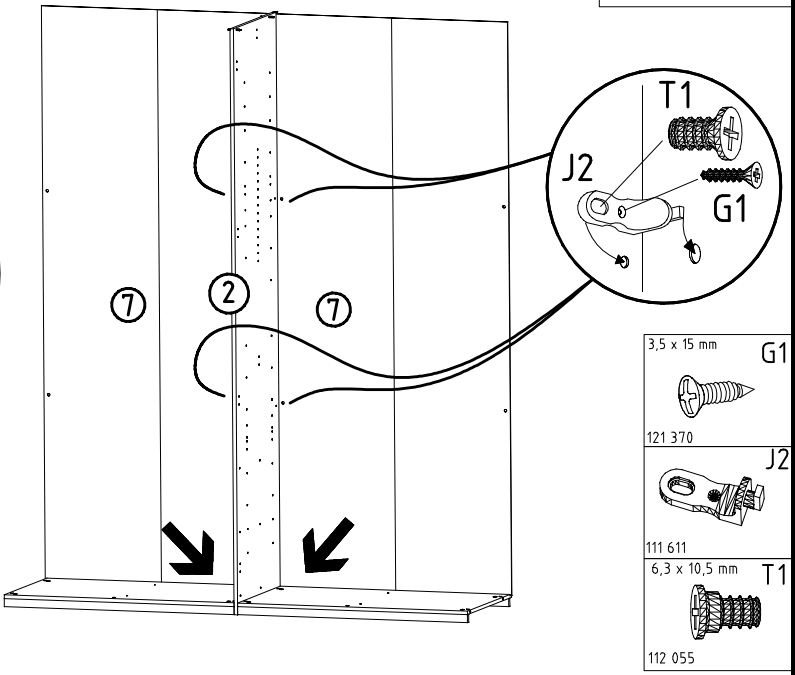
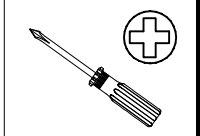
3



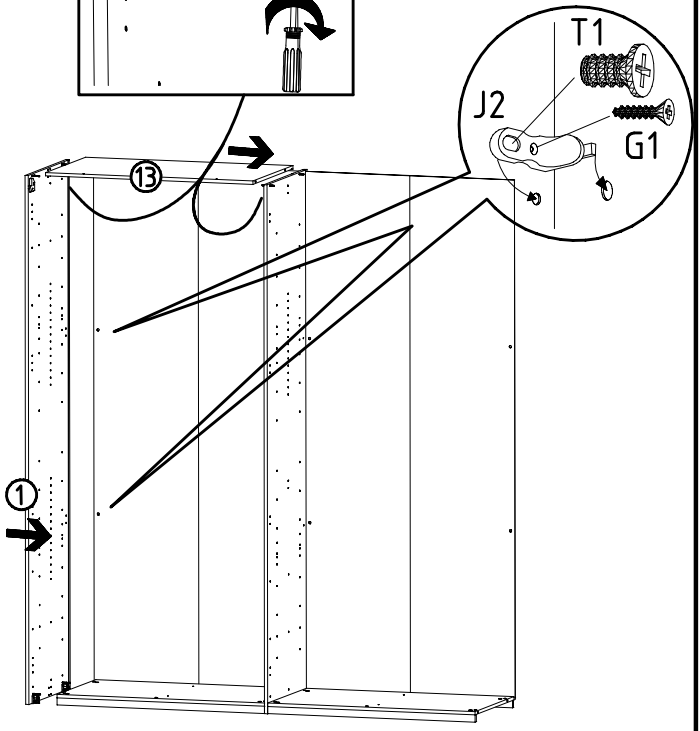
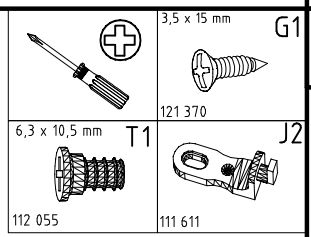
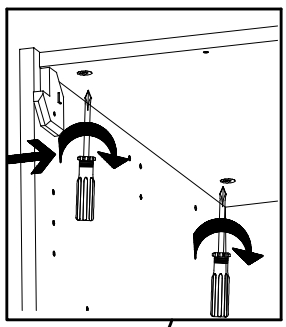
16



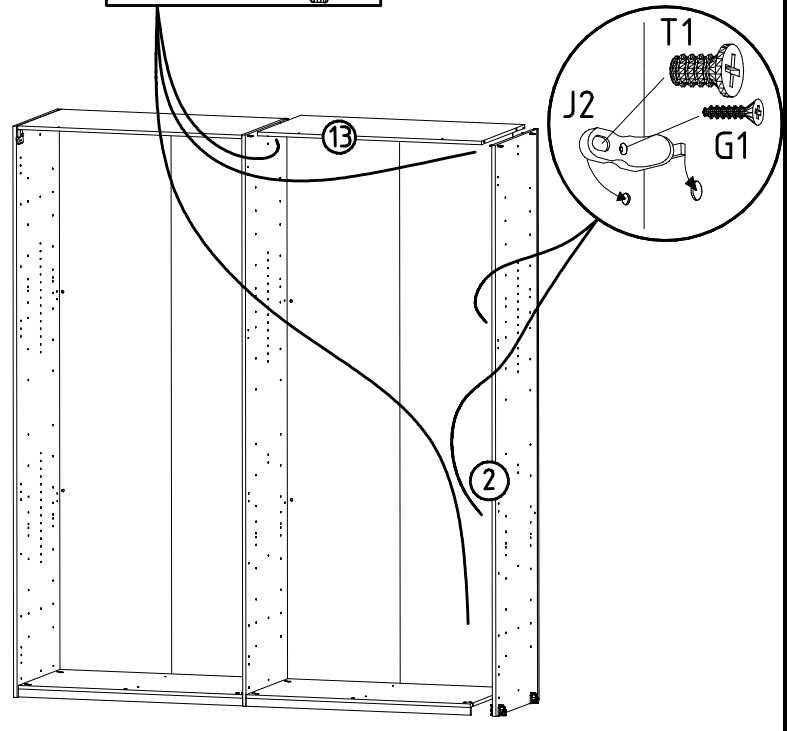
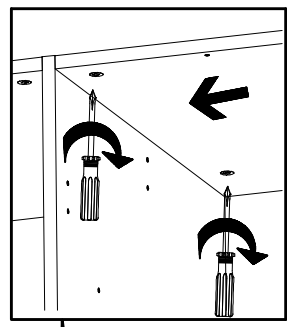
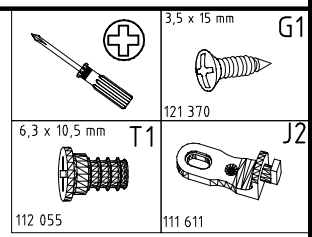
17



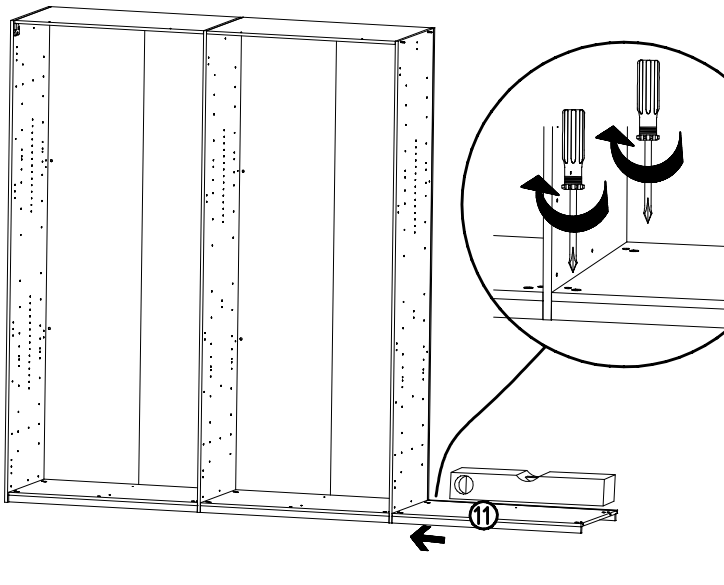
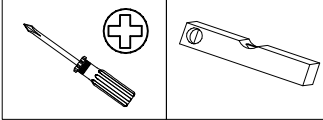
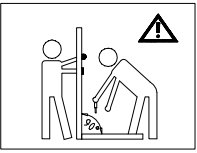
18



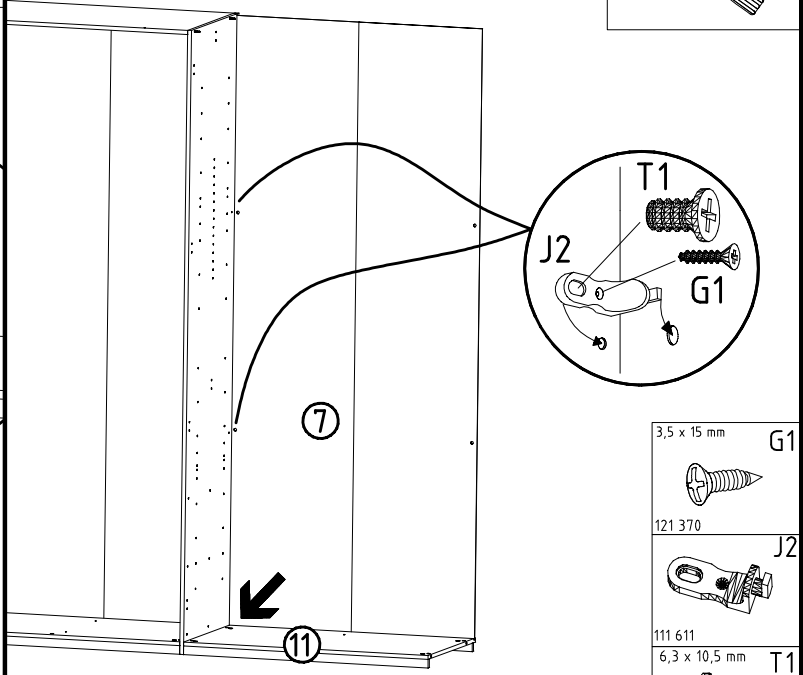
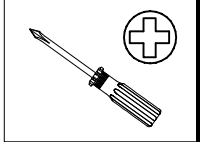
19



20

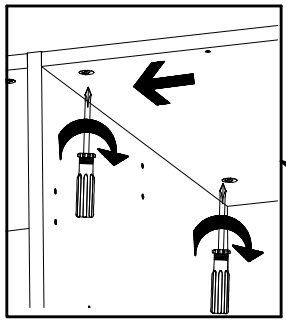


21

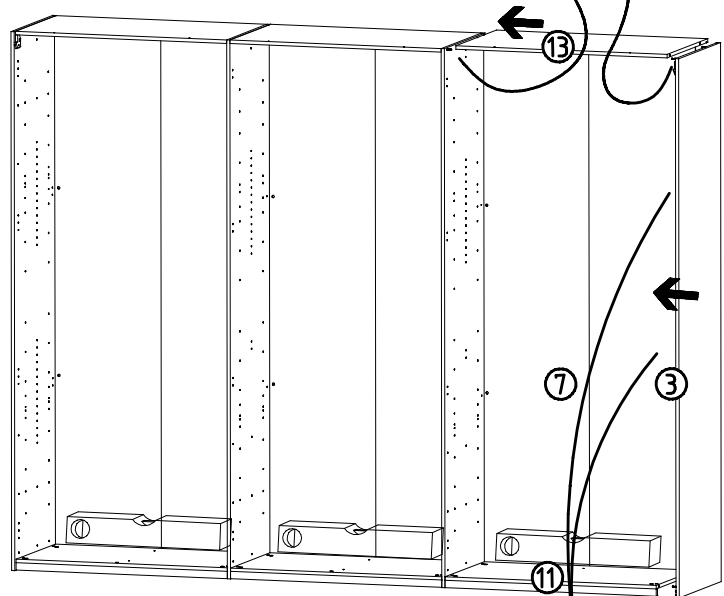


- 3,5 x 15 mm G1
- 121 370
- J2
- 111 611
- 6,3 x 10,5 mm T1
- 112 055

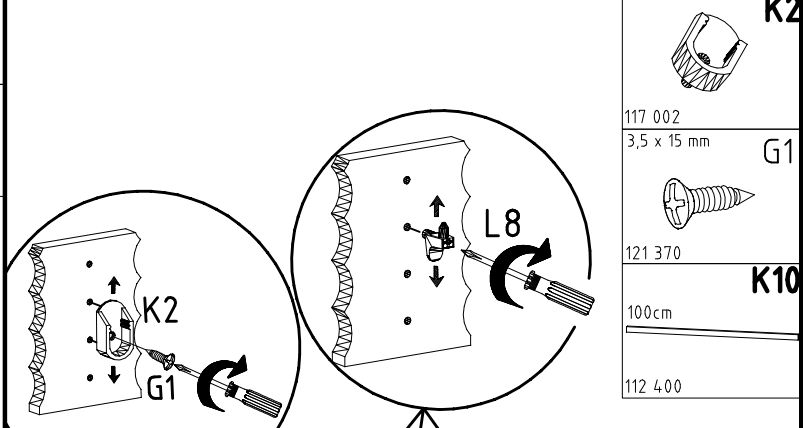
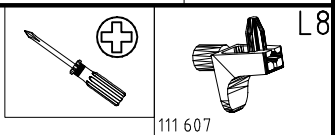
22



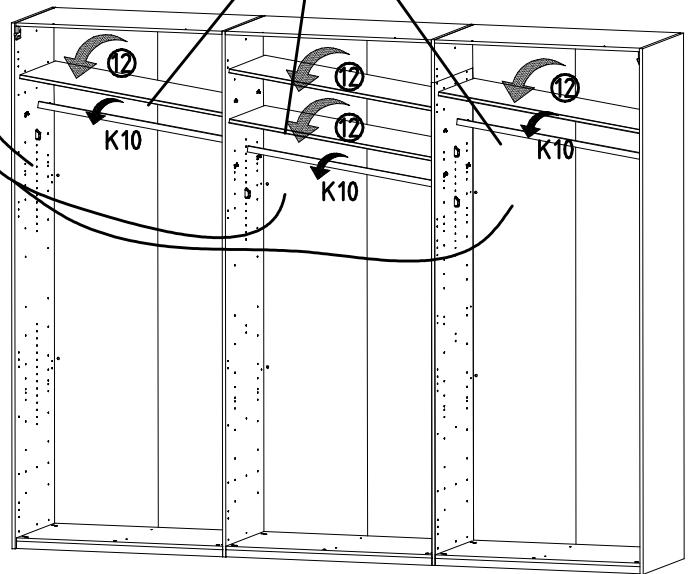
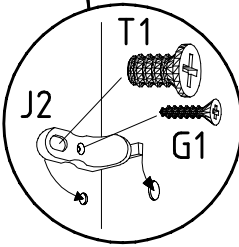
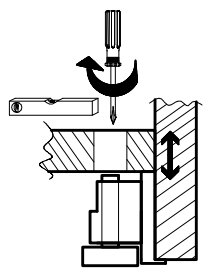
- 3,5 x 15 mm G1
- 121 370
- J2
- 111 611
- 6,3 x 10,5 mm T1
- 112 055



23



- L8
- 111 607
- K2
- 117 002
- 3,5 x 15 mm G1
- 121 370
- K10
- 100cm
- 112 400

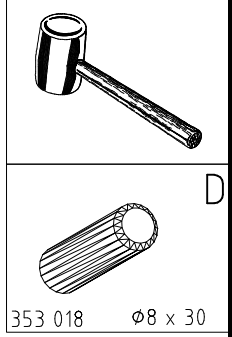
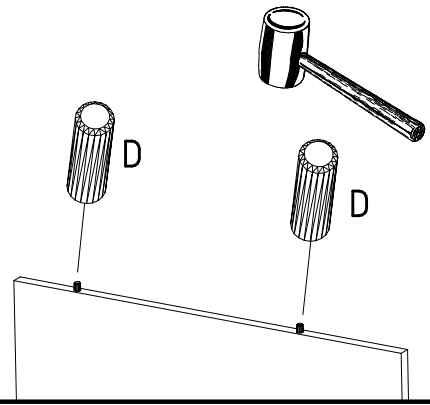
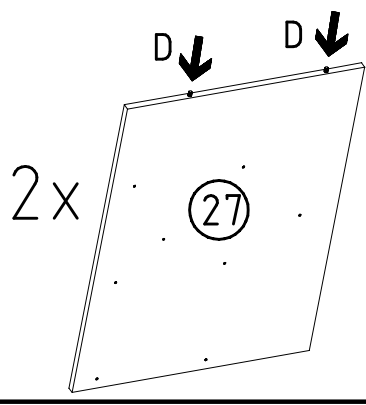


980793

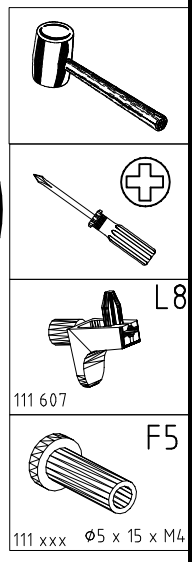
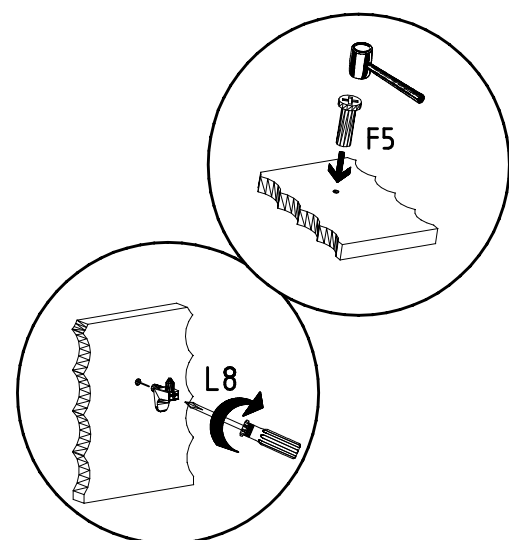
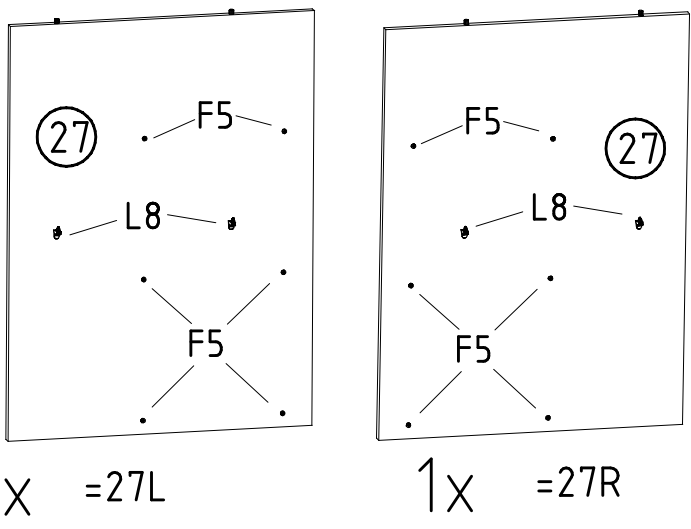
19.05.17 / -

05 17 | 13/26

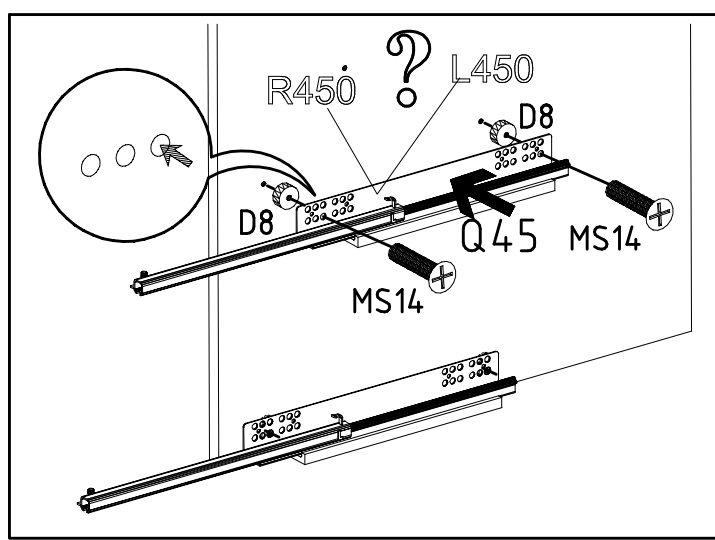
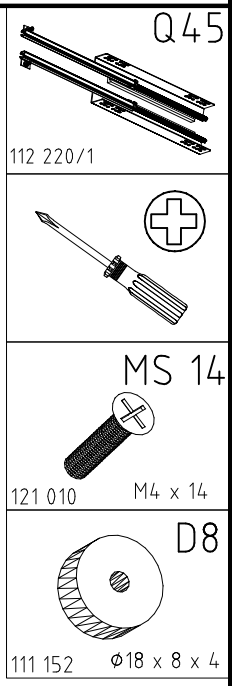
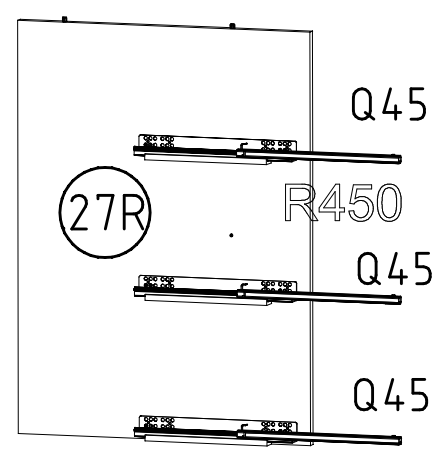
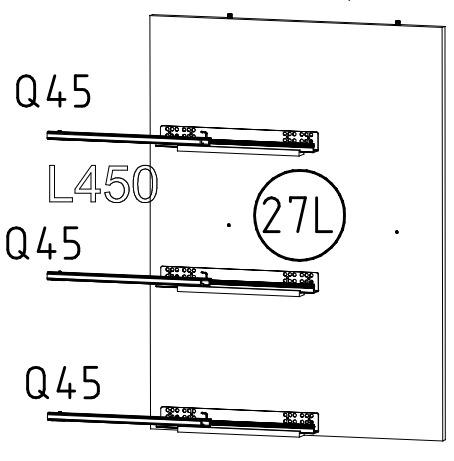
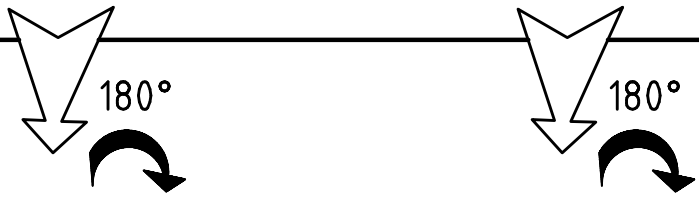
27



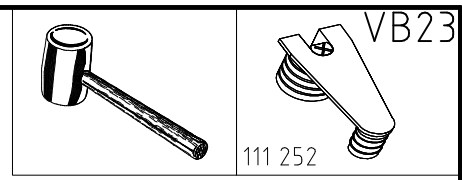
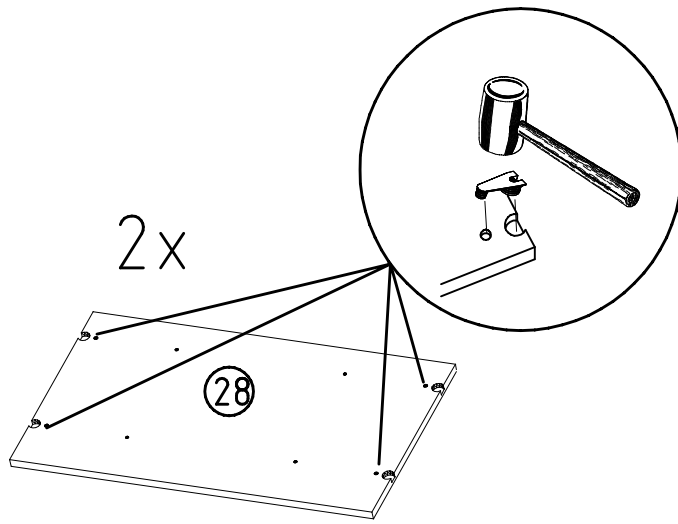
28



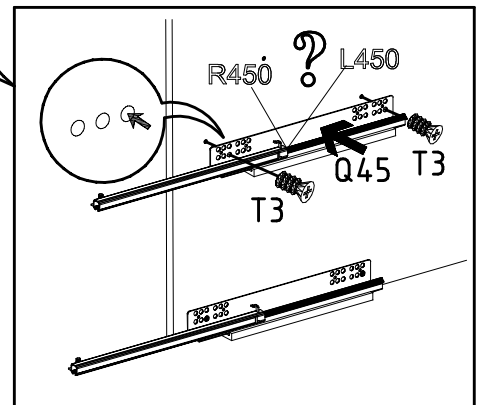
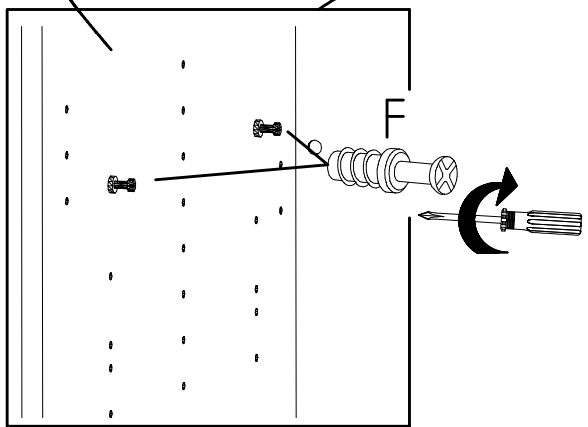
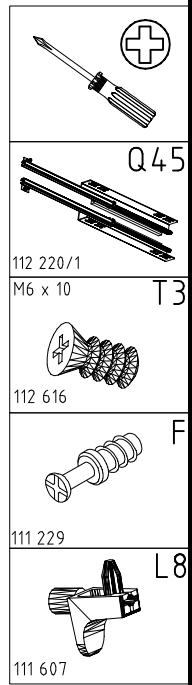
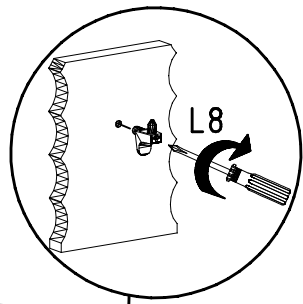
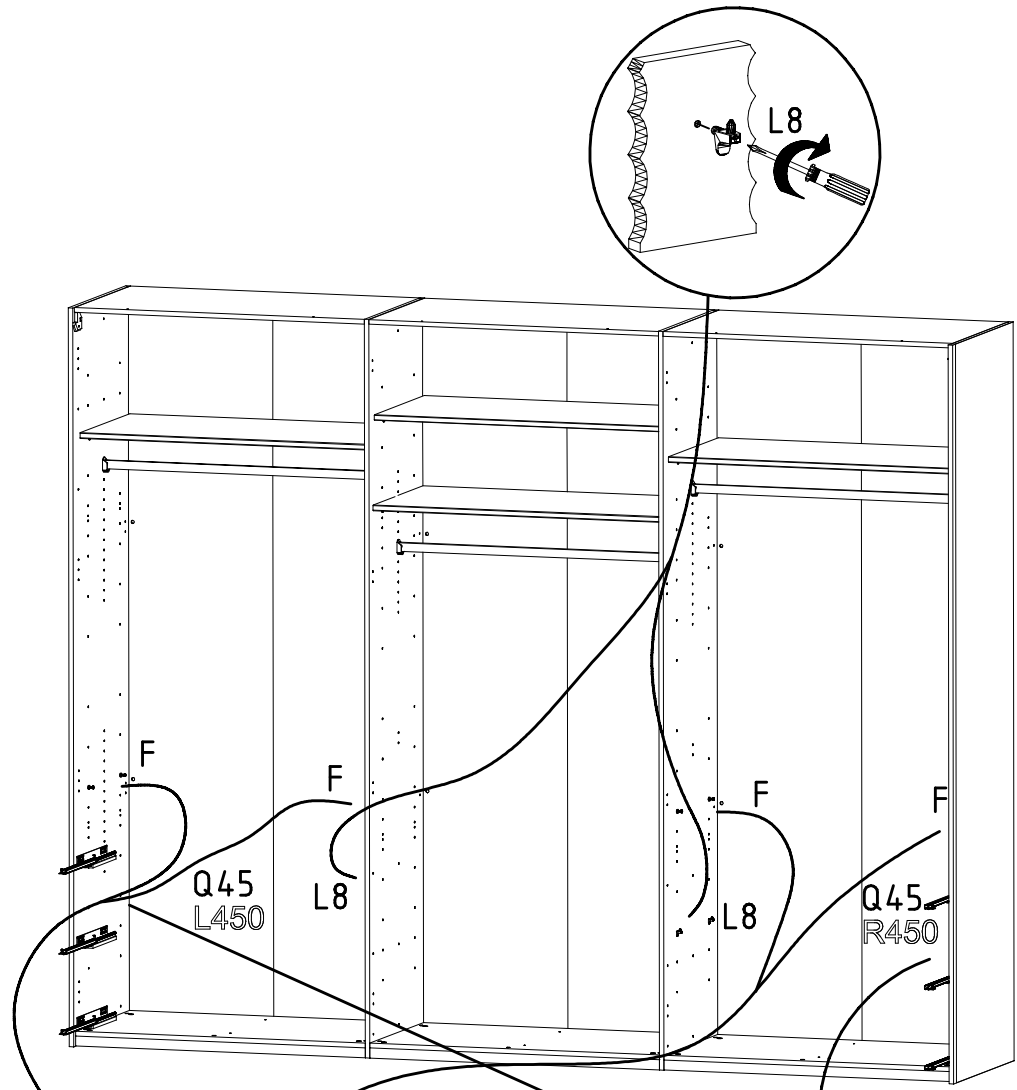
29



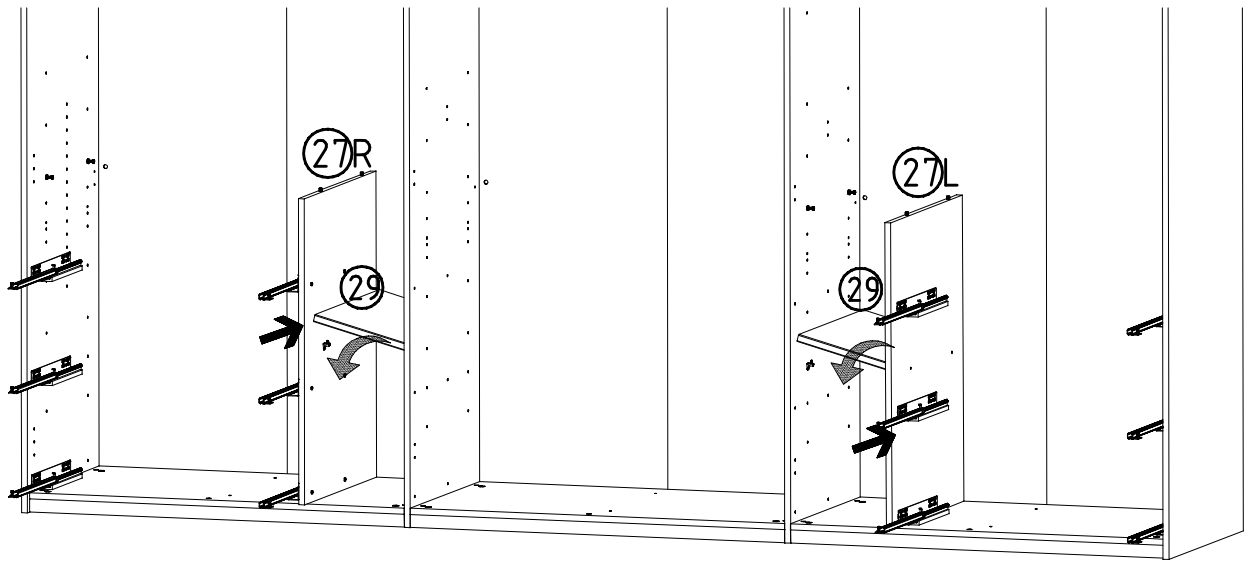
27



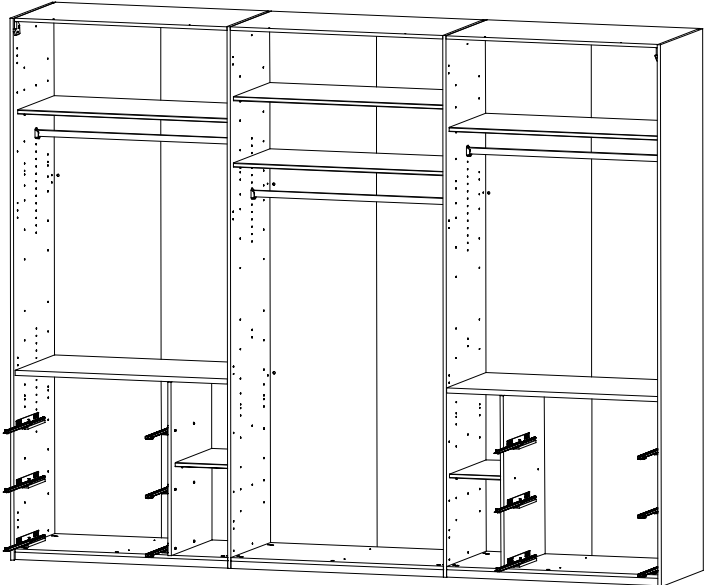
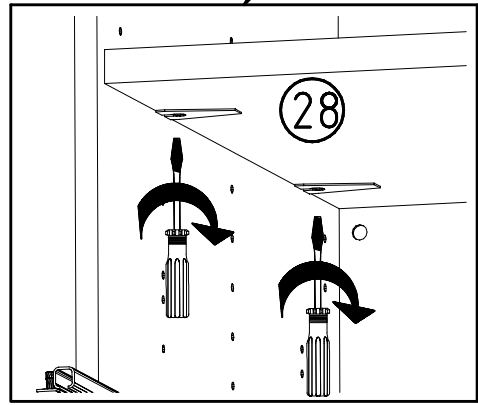
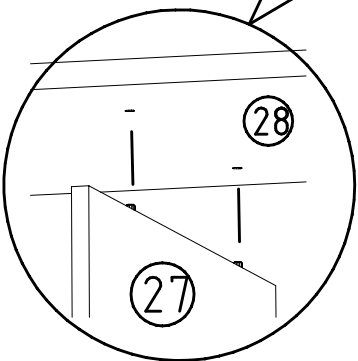
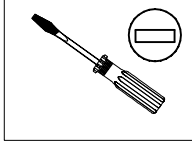
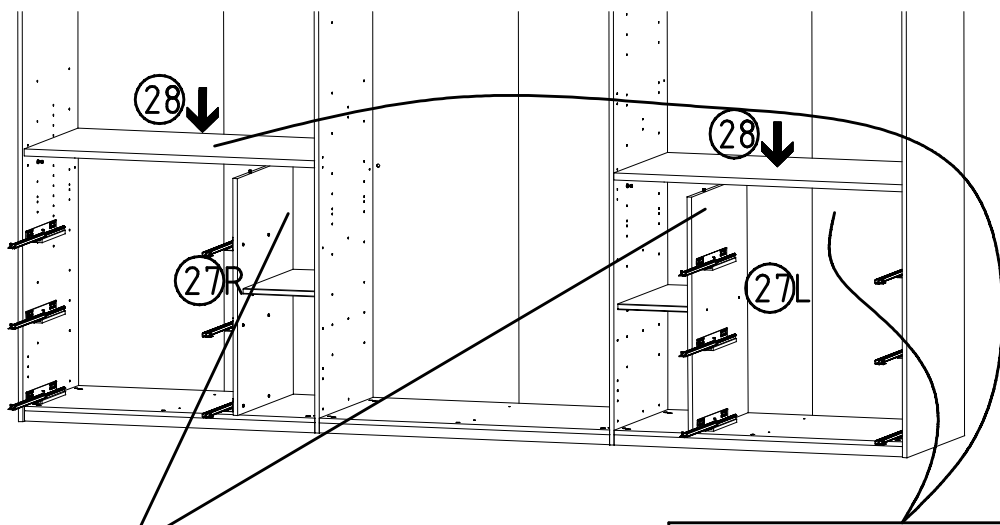
28



29



30

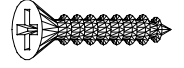


31

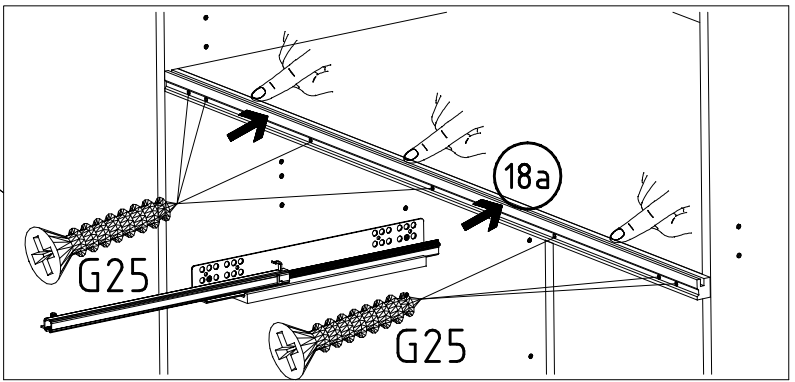
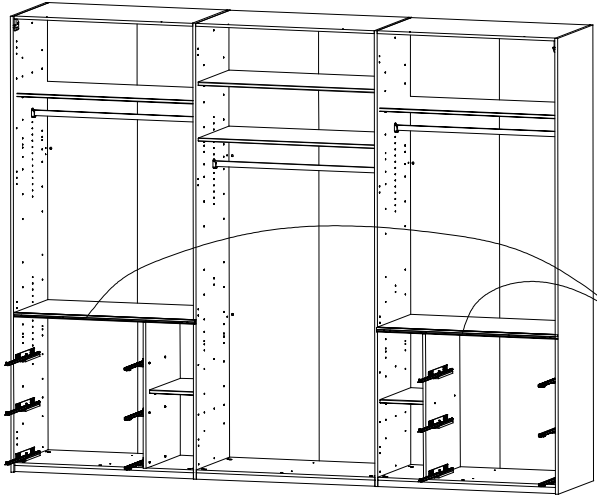


3,5 x 40 mm

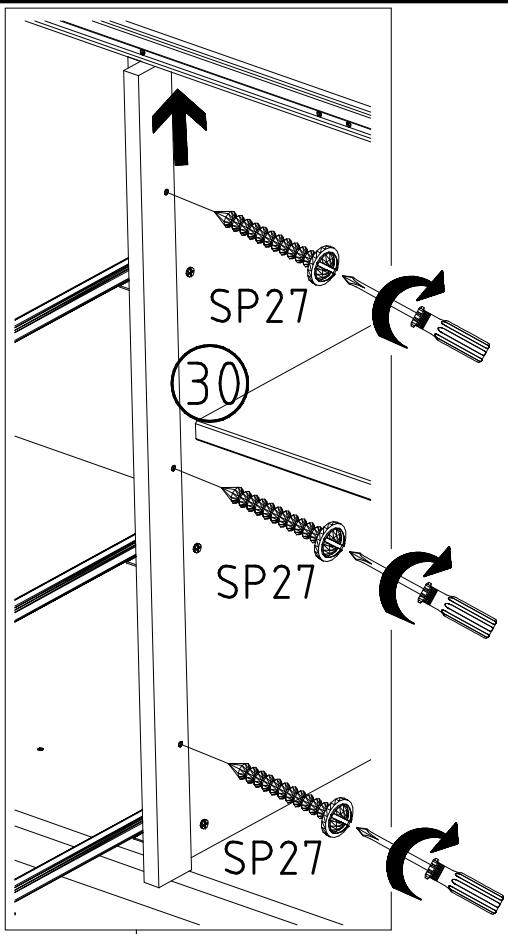
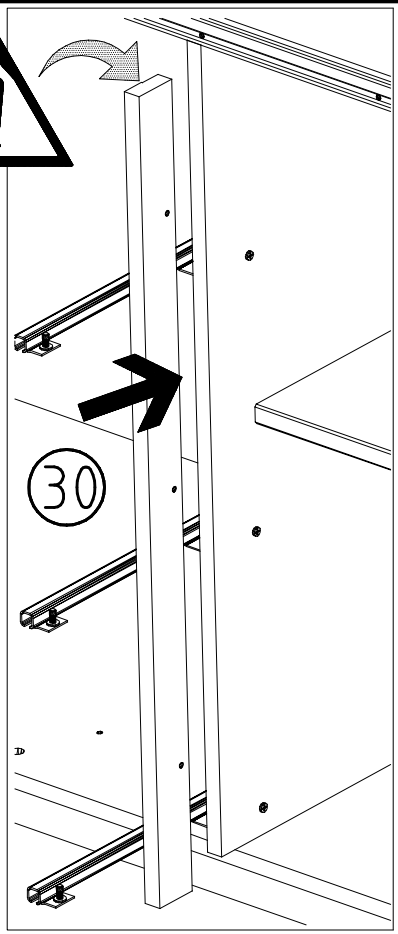
G25



121 119



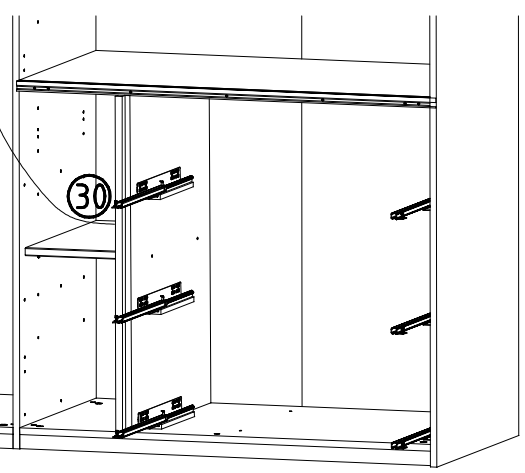
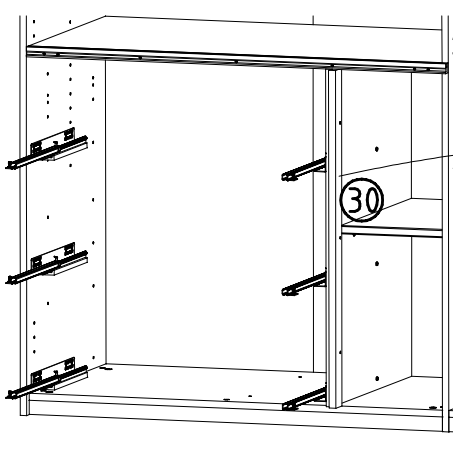
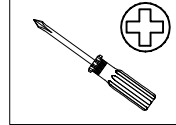
32



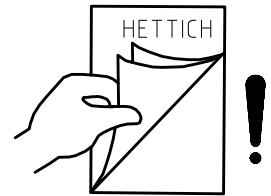
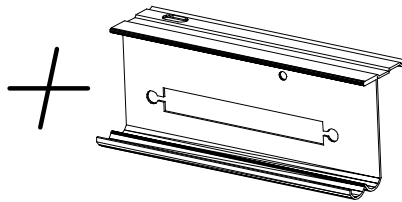
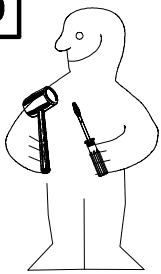
SP27

4 x 27mm

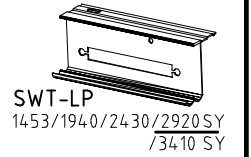
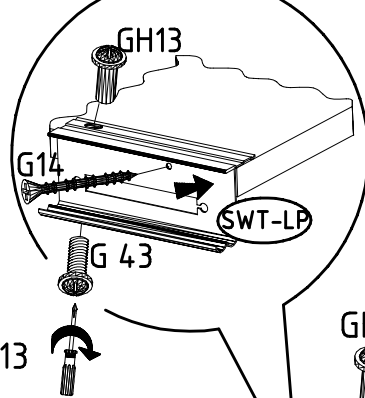
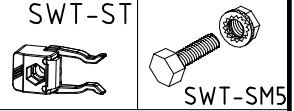
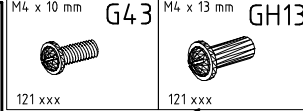
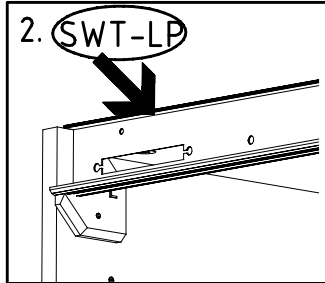
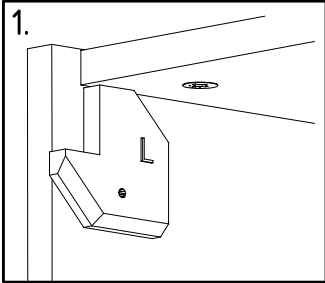
122620



33



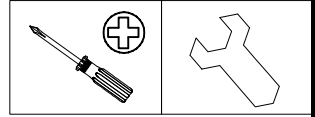
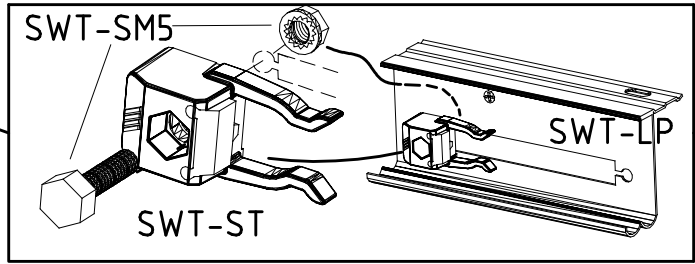
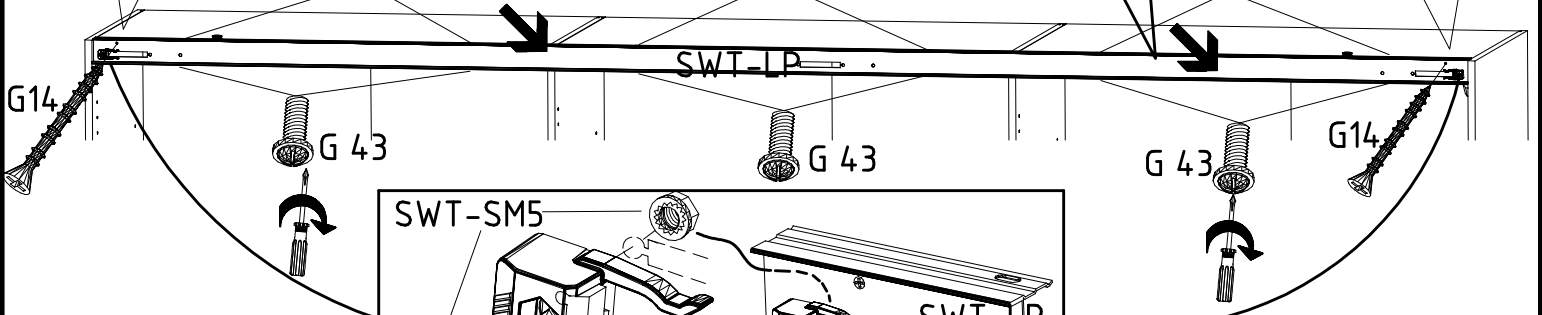
34



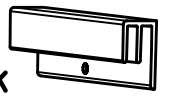
GH13

GH13

GH13

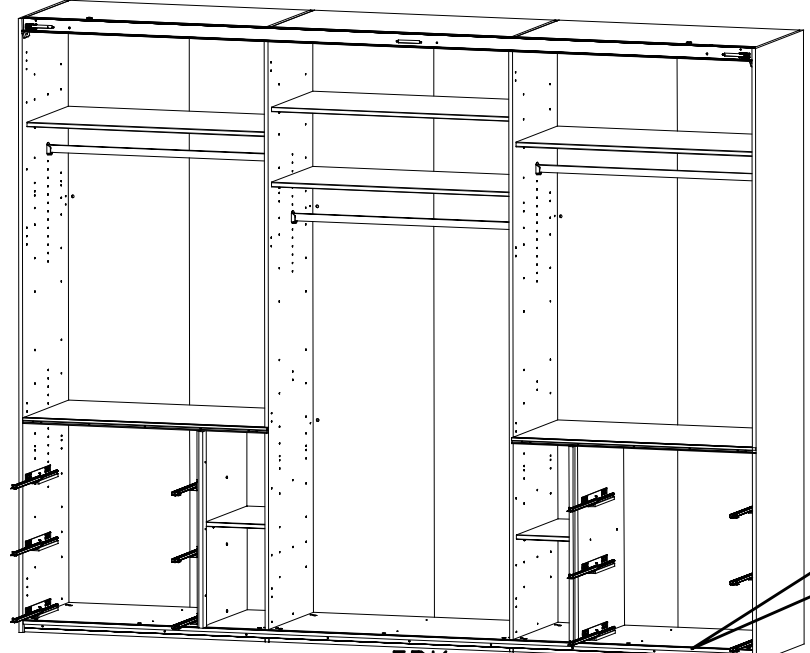
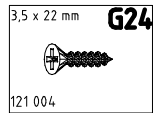


35

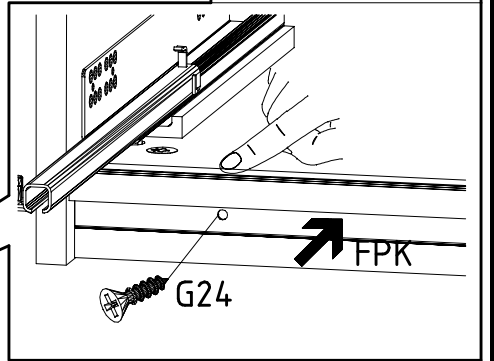


FPK

1453/1940/2430/2920/34.08



FPK



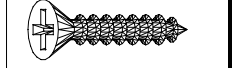
980793

19.05.17 / -

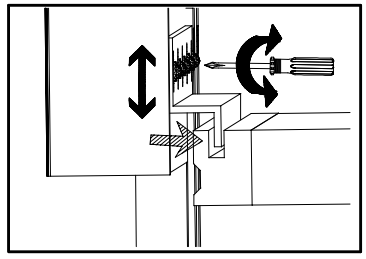
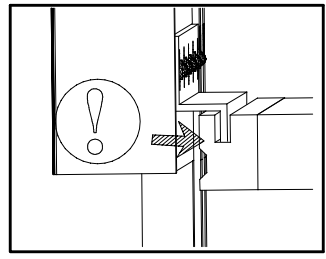
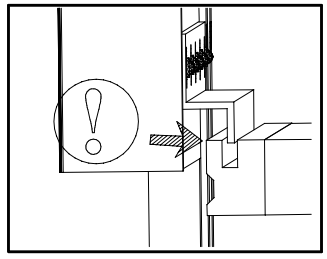
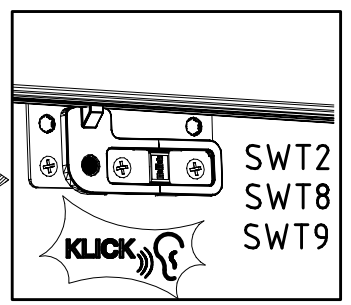
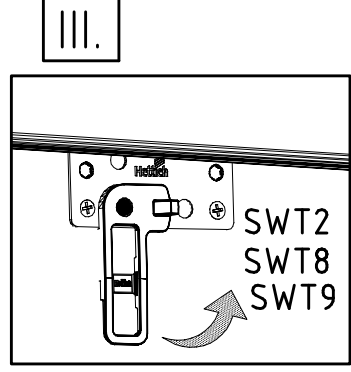
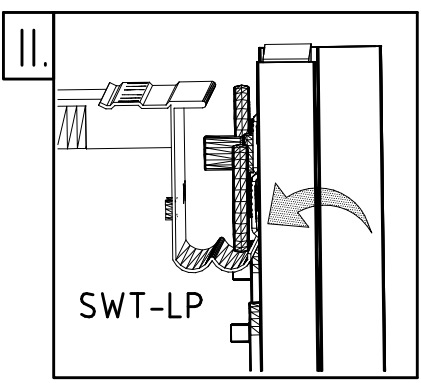
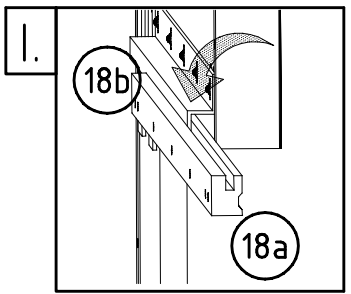
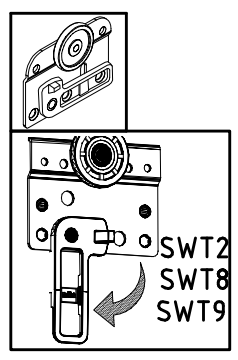
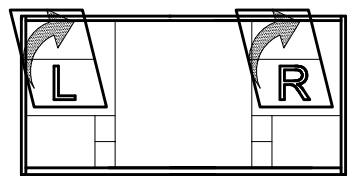
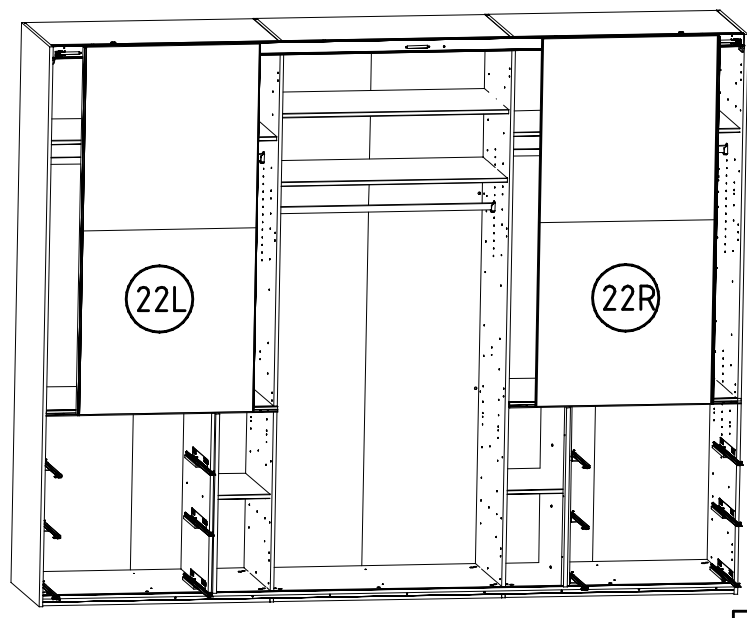
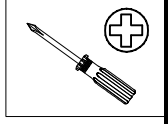
05 17 | 18/26

36

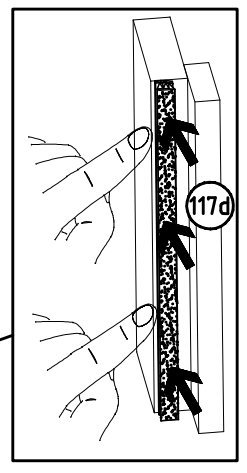
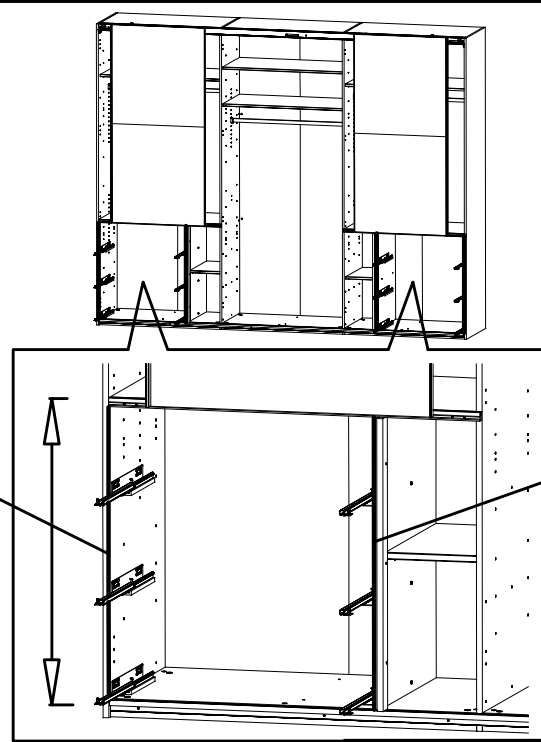
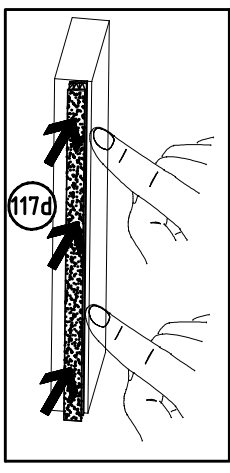
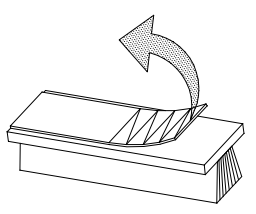
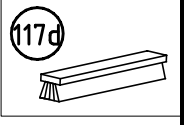
3,5 x 40 mm G25



121 119



37

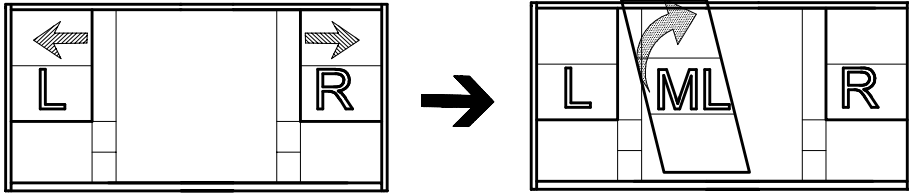


980793

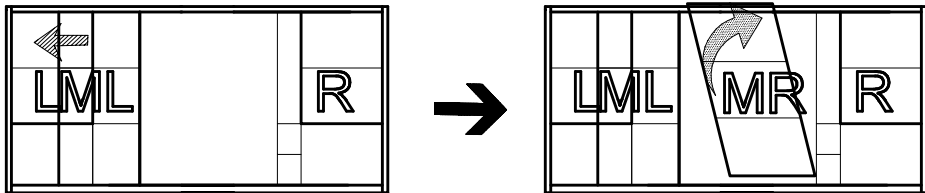
19.05.17 / -

05 17 | 19/26

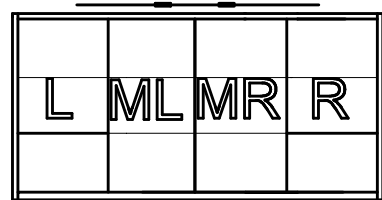
38



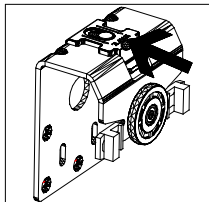
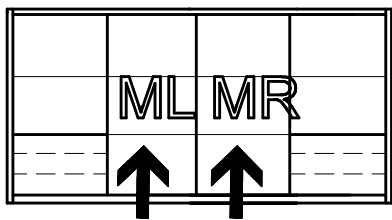
39



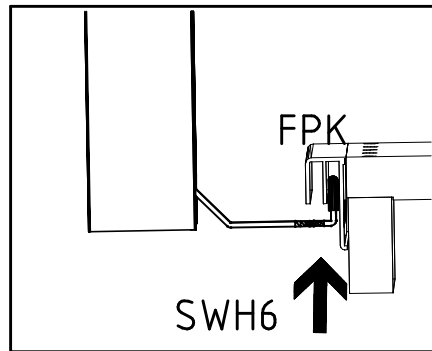
40



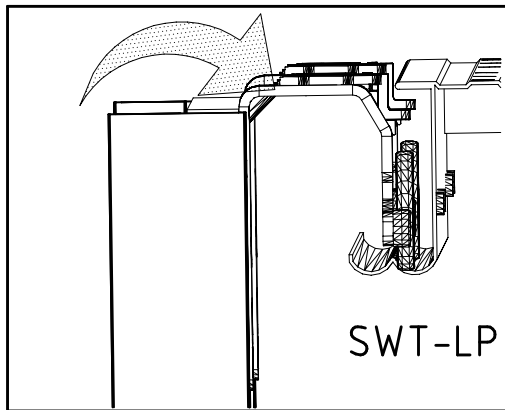
38 + 39



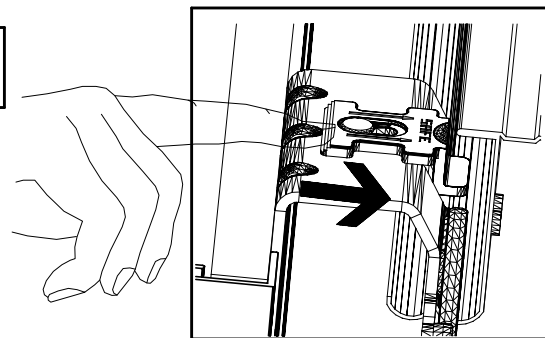
I.



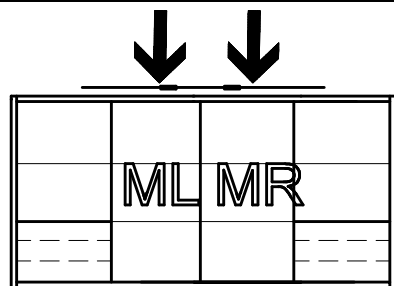
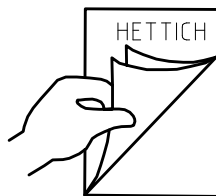
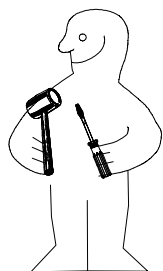
II.



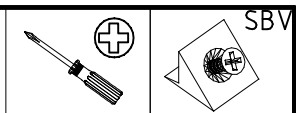
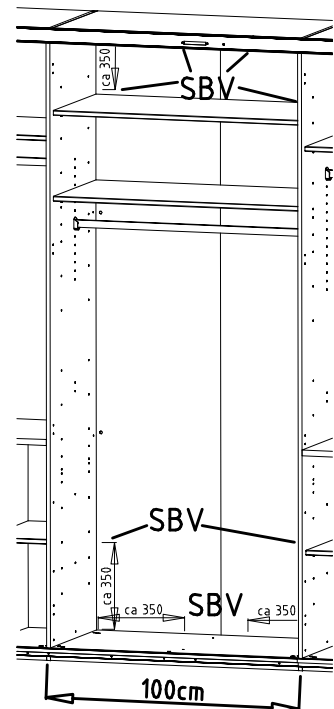
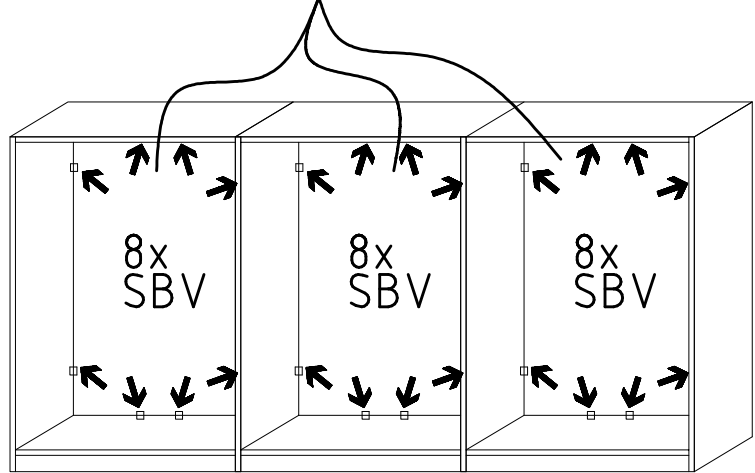
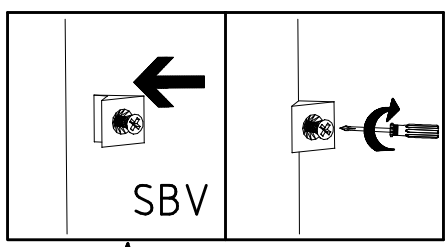
III.



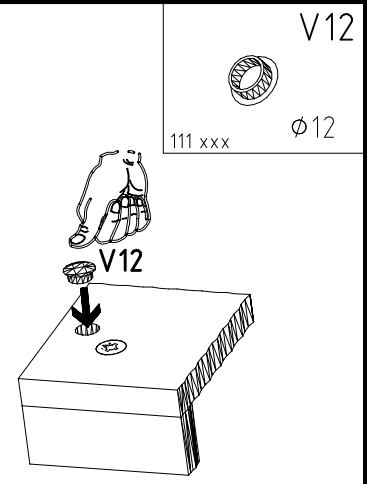
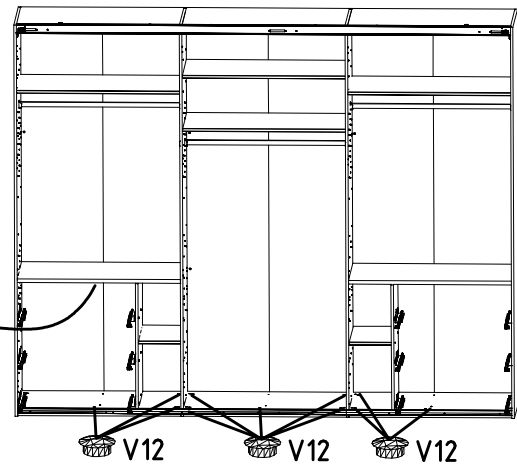
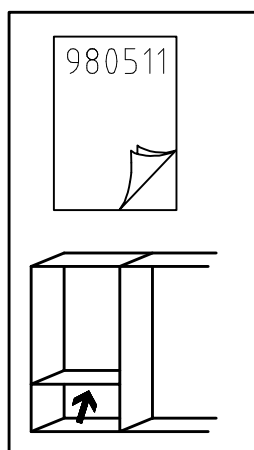
40



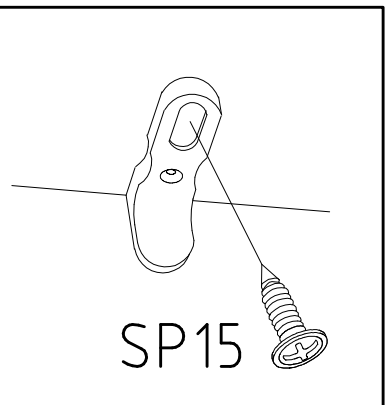
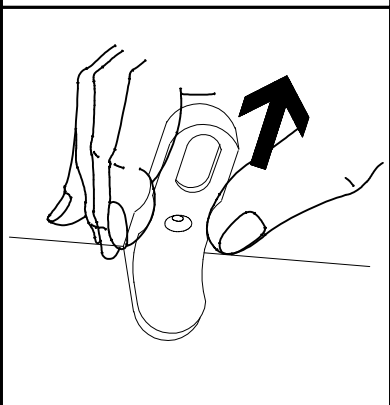
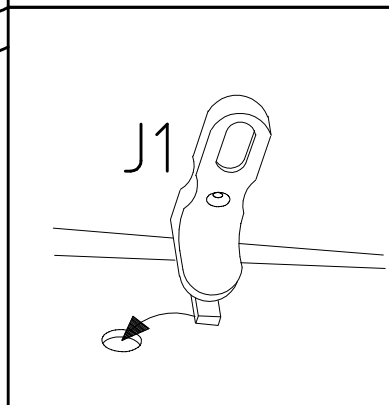
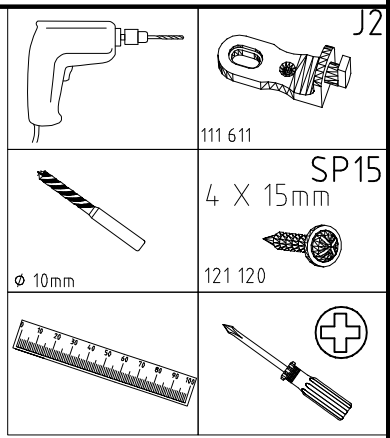
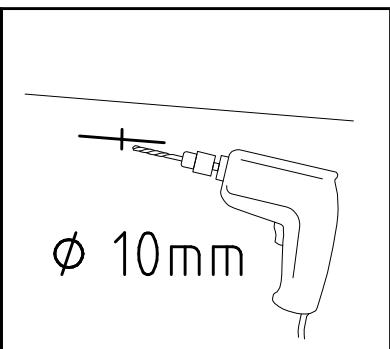
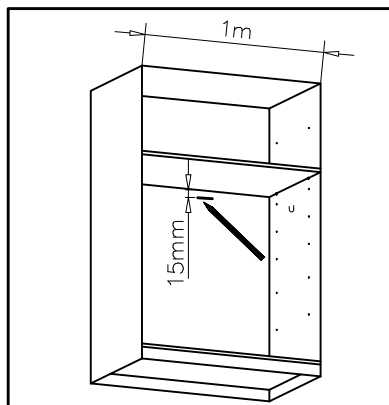
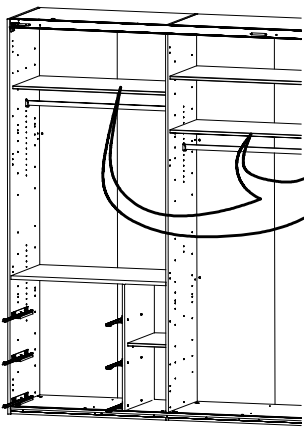
41



42



43

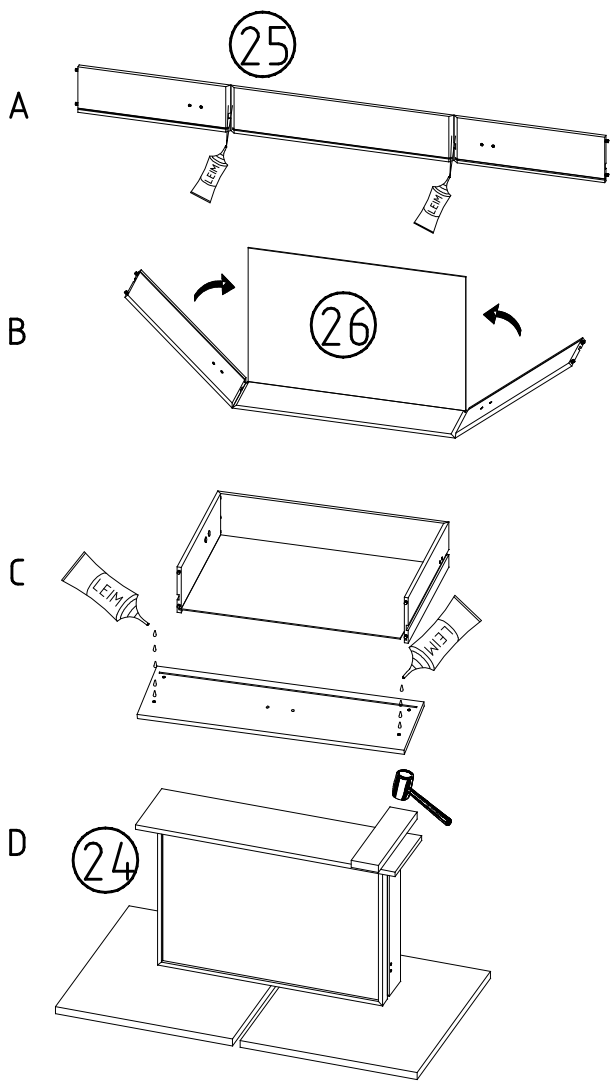
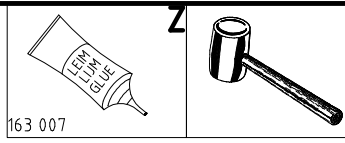


980793

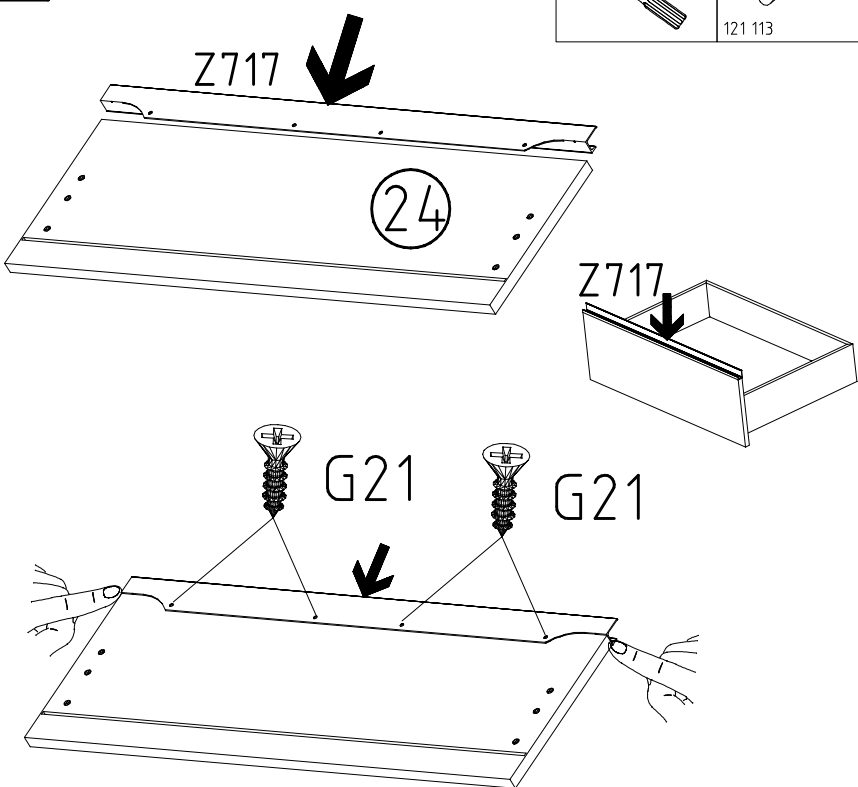
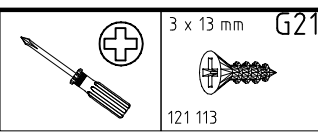
19.05.17 / -

05 17 | 21/26

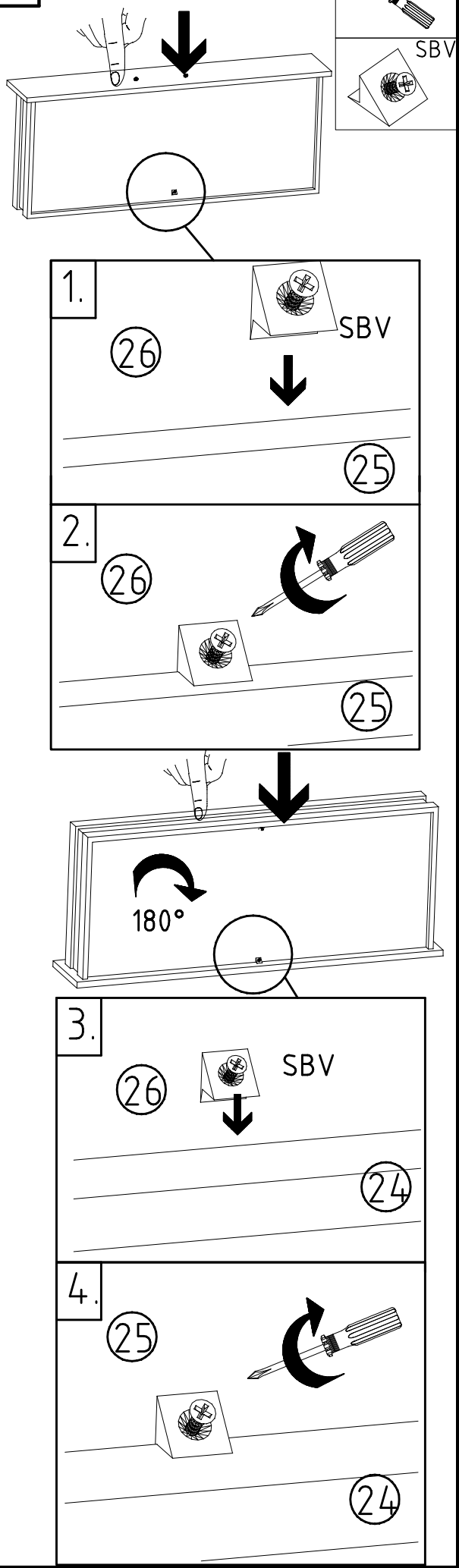
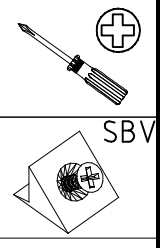
44

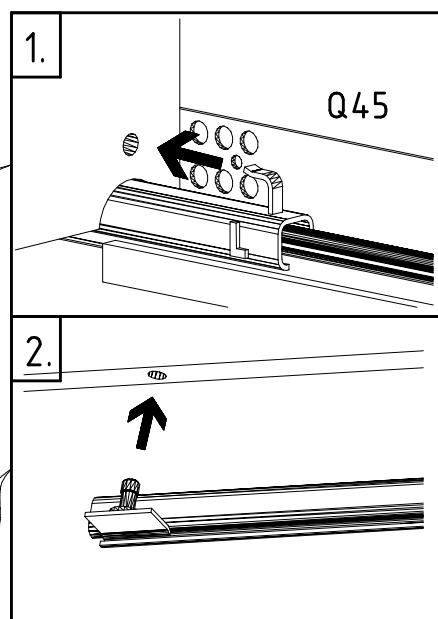
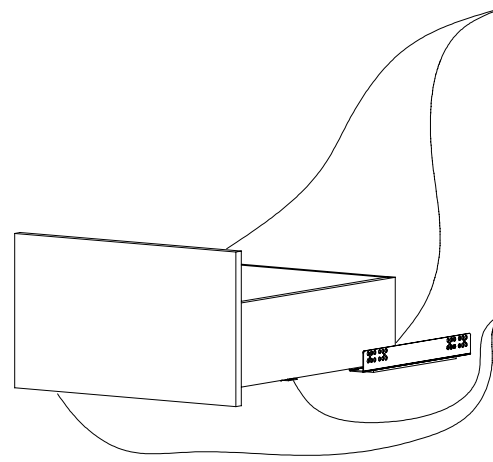
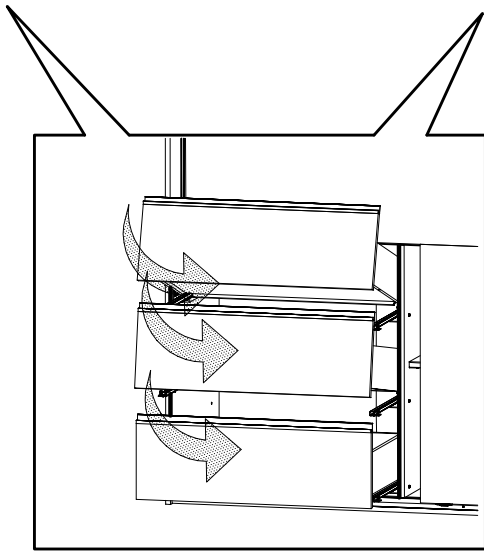
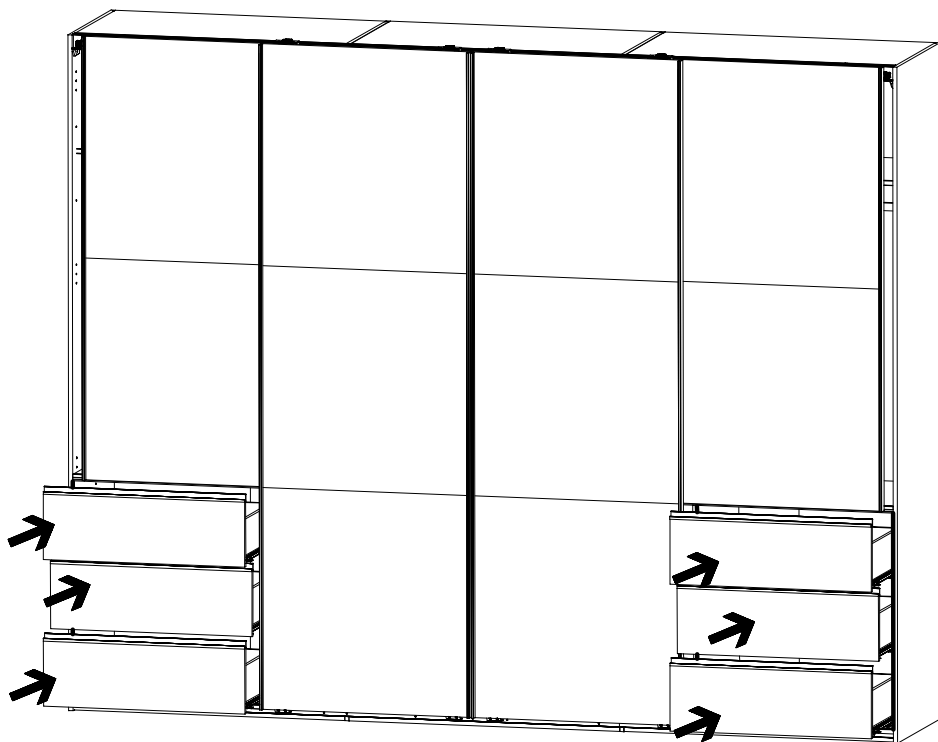


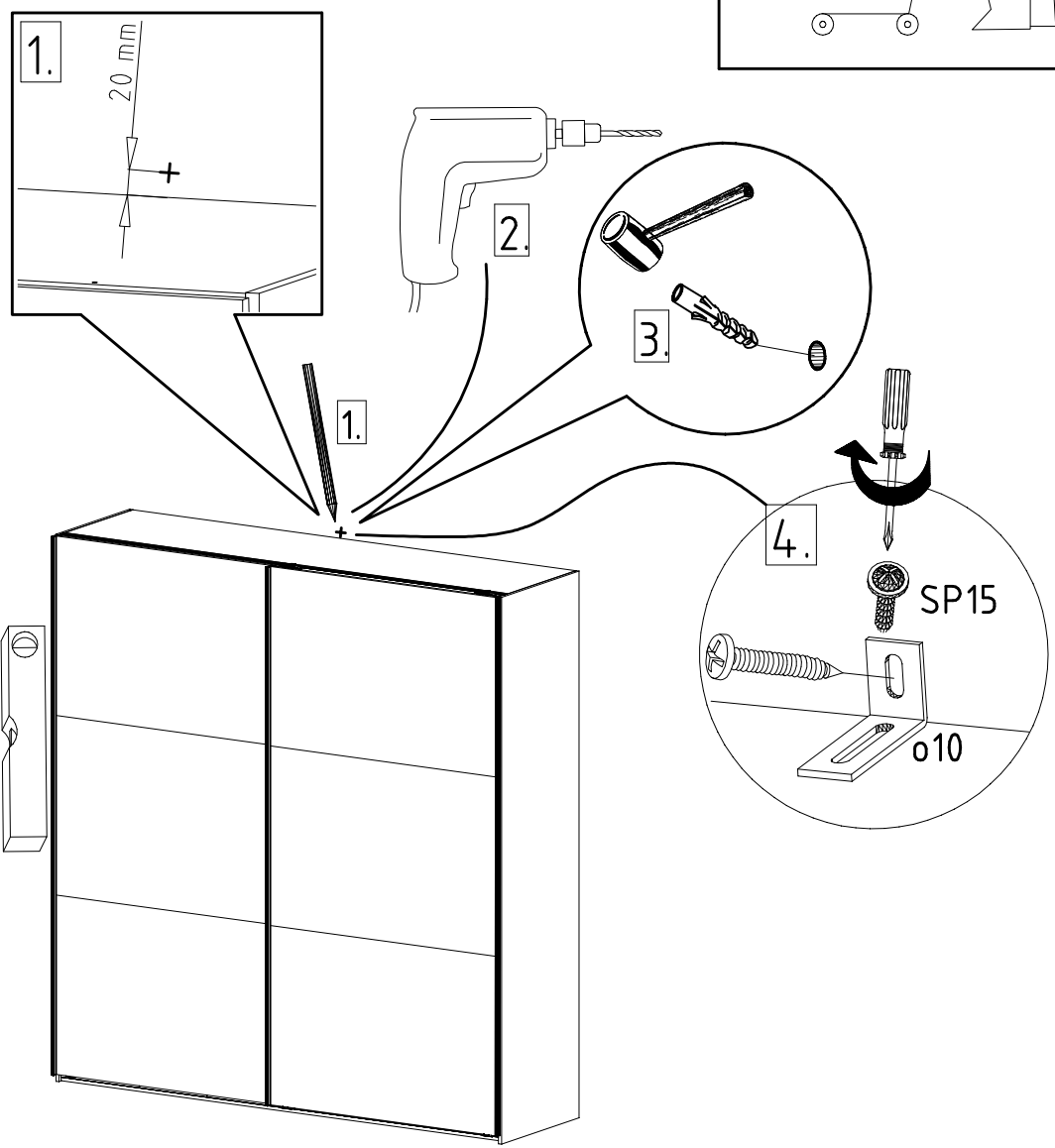
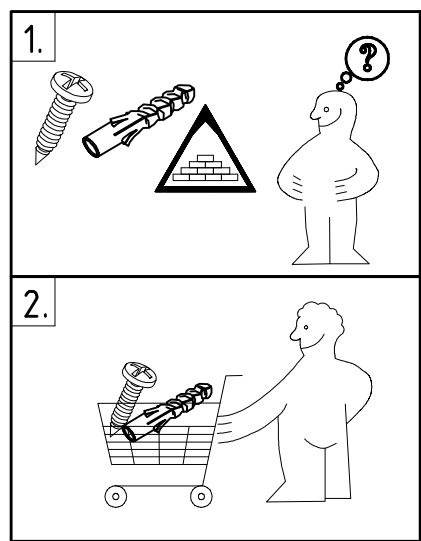
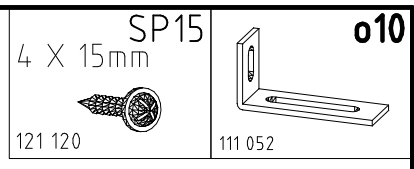
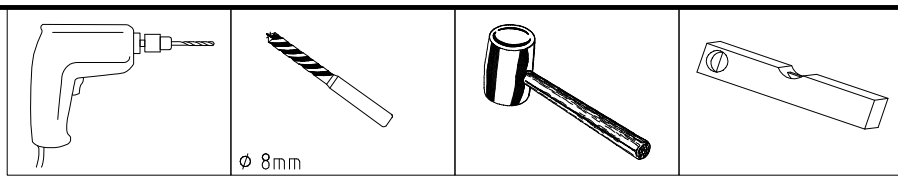
45



46









352 302

