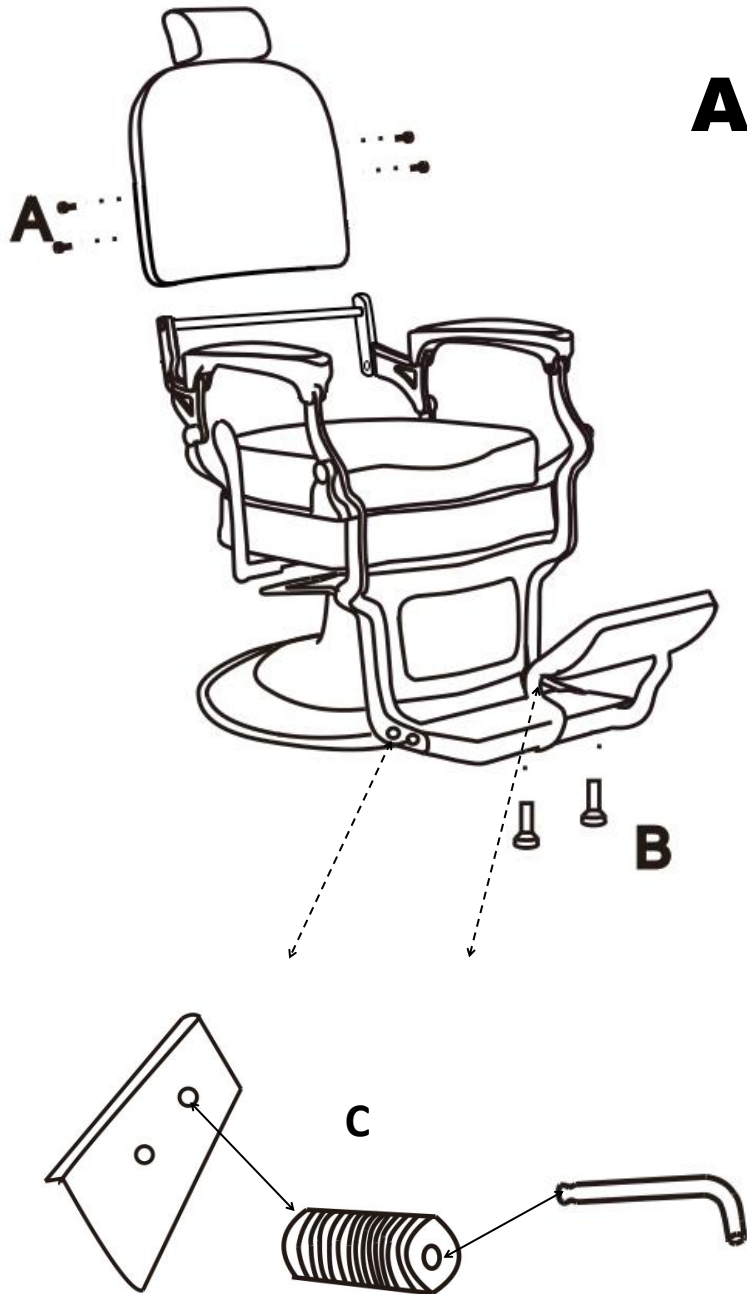


Assembly Instruction



1. Remove the iron bar between the armrest frame before assembling
2. Place the backrest in vertical position
3. Screw the backrest's sides to the chair with 4 screws, see A
4. Screw the levers into the footrest and adjust the height, see B
5. Fix Screw C into the footrest in order to secure footpad