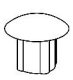
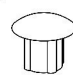










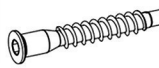
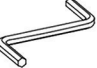


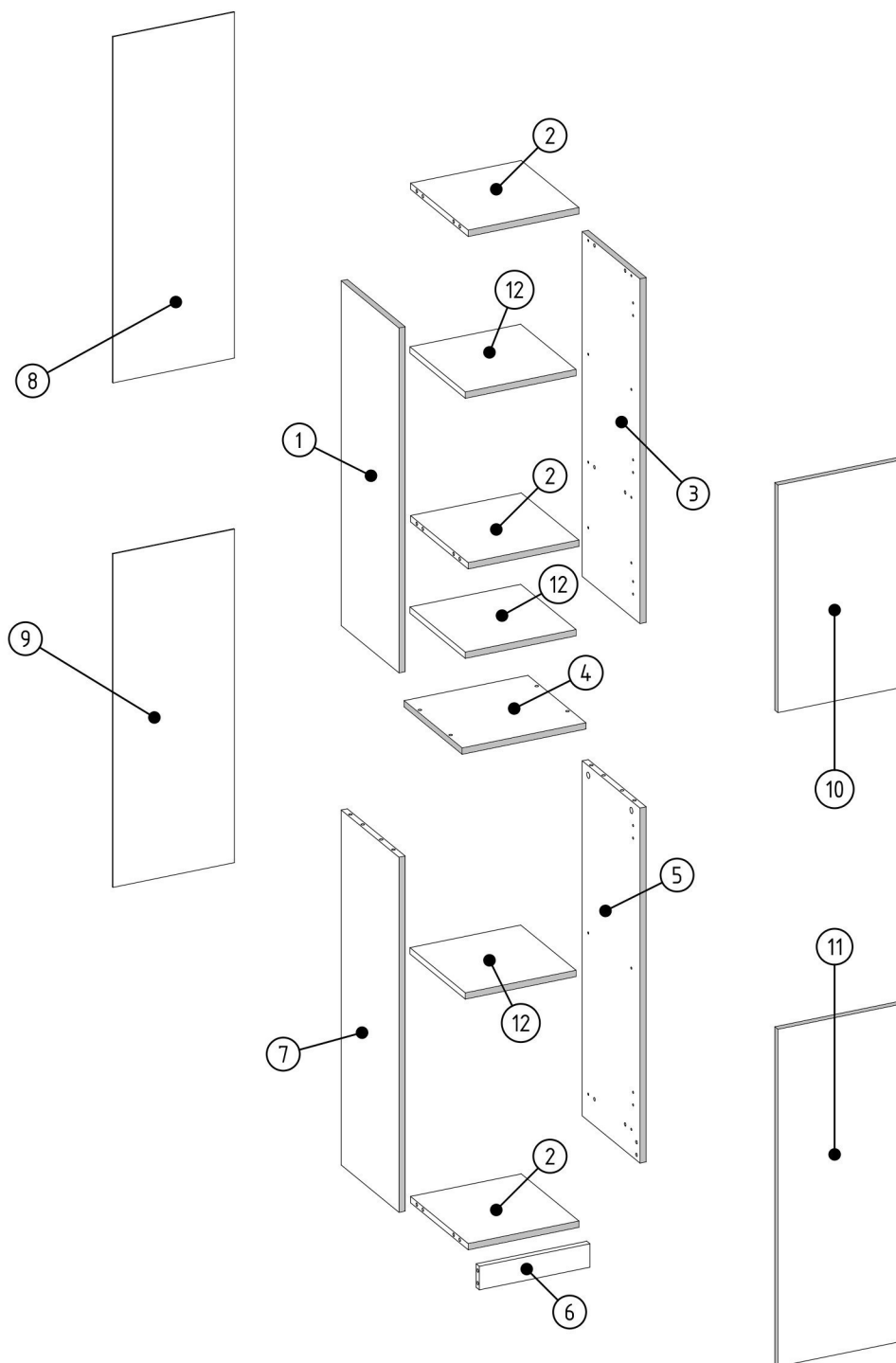

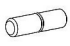



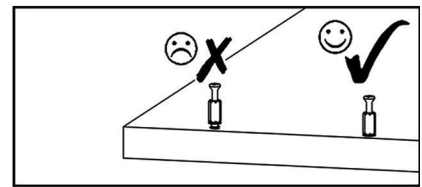
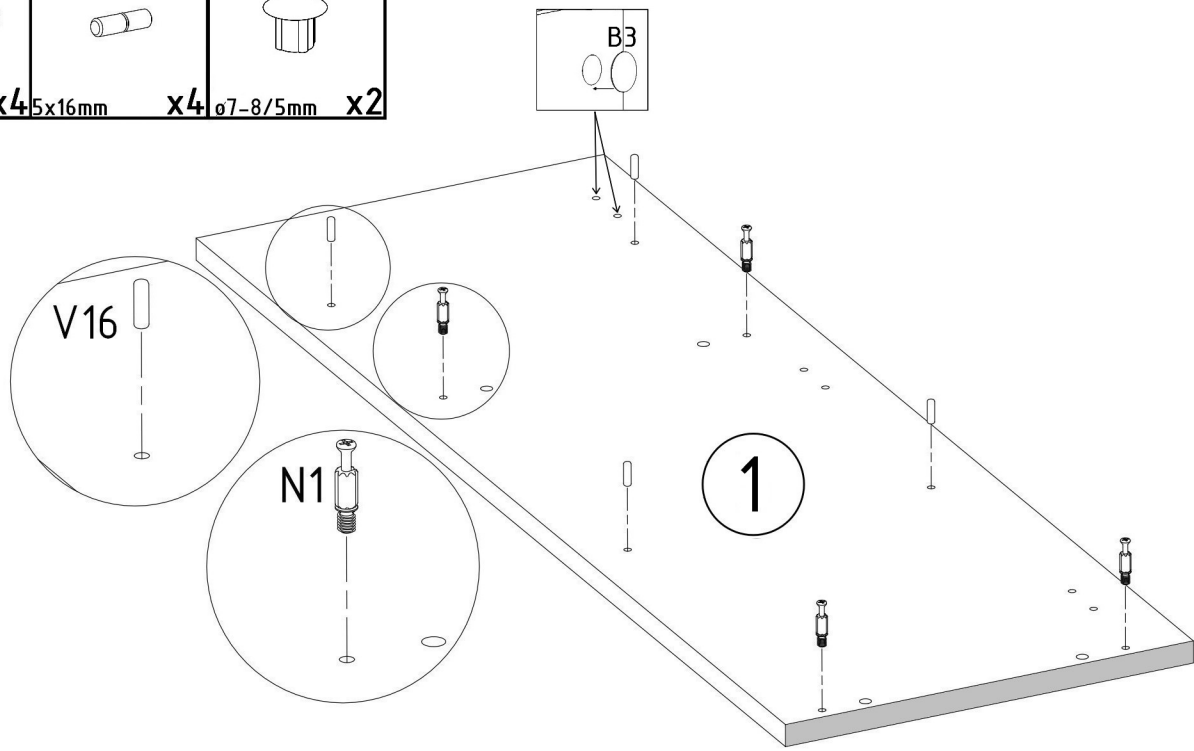
<b>B3</b>  B ø7-8/5mm x4	<b>B3</b>  S-A ø7-8/5mm x4	<b>S2</b>  L=96/137mm x4	<b>U3</b>  L=96/137mm x2	<b>V13</b>  x1	<b>T1</b>  x4	<b>A1</b>  ZP x4	<b>S1</b>  3,5x16mm x8
<b>B1</b>  B ø17/5-4mm x8	<b>B1</b>  S-A ø17/5-4mm x8	<b>M1</b>  12x15mm x16	<b>E1</b>  8x30mm x20	<b>F1</b>  7x50mm x4	<b>F3</b>  x1	<b>Z1</b>  x75	<b>V15</b>  x5





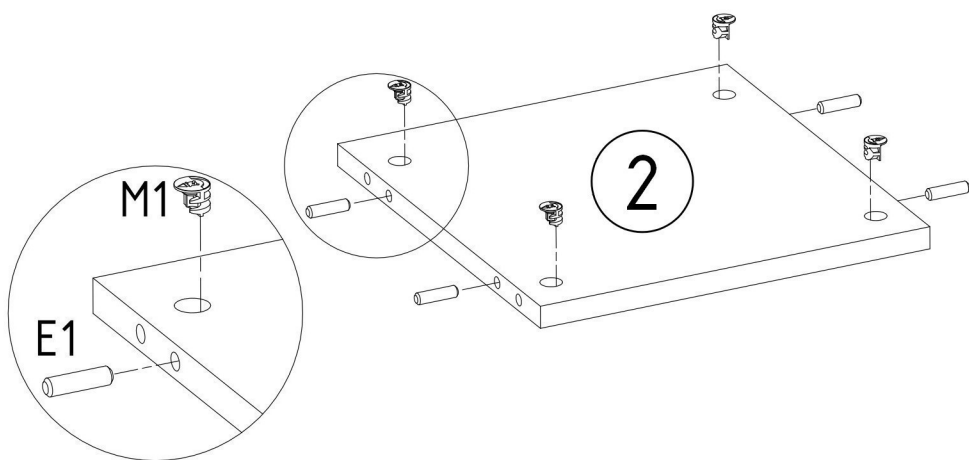
<b>1</b>	x	1
<b>2</b>	x	3
<b>3</b>	x	1
<b>4</b>	x	1
<b>5</b>	x	1
<b>6</b>	x	1
<b>7</b>	x	1
<b>8</b>	x	1

<b>9</b>	x	1
<b>10</b>	x	1
<b>11</b>	x	1
<b>12</b>	x	3

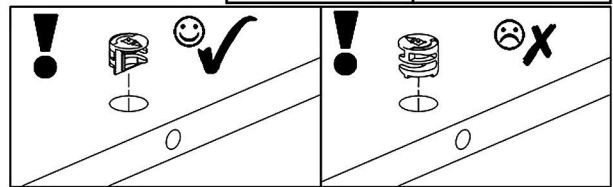
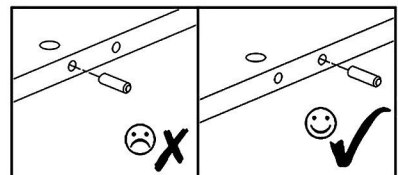
<b>N1</b>  L=35mm <b>x4</b>	<b>V16</b>  5x16mm <b>x4</b>	<b>B3</b>  ø7-8/5mm <b>x2</b>
---	---	---


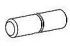



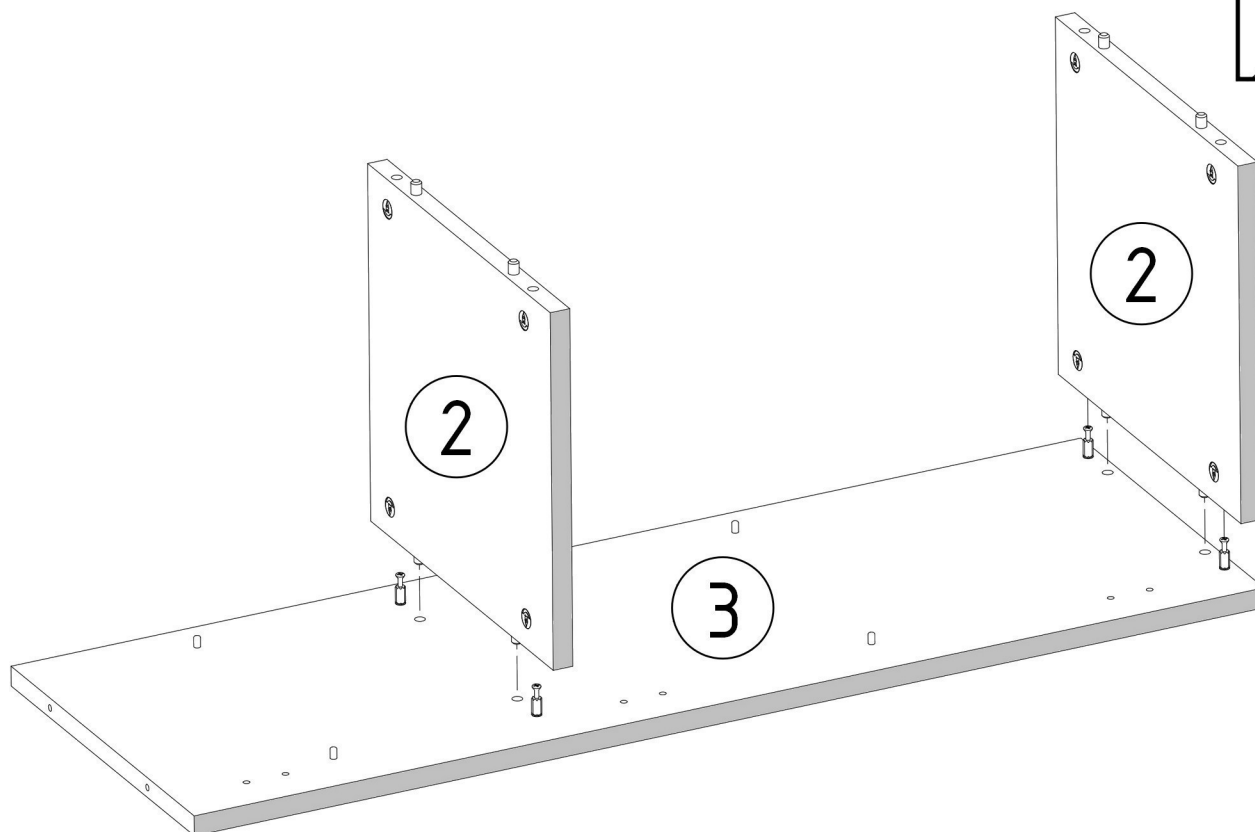
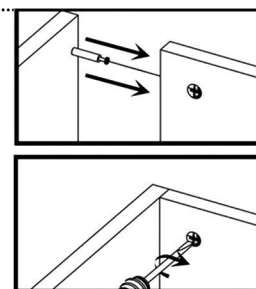
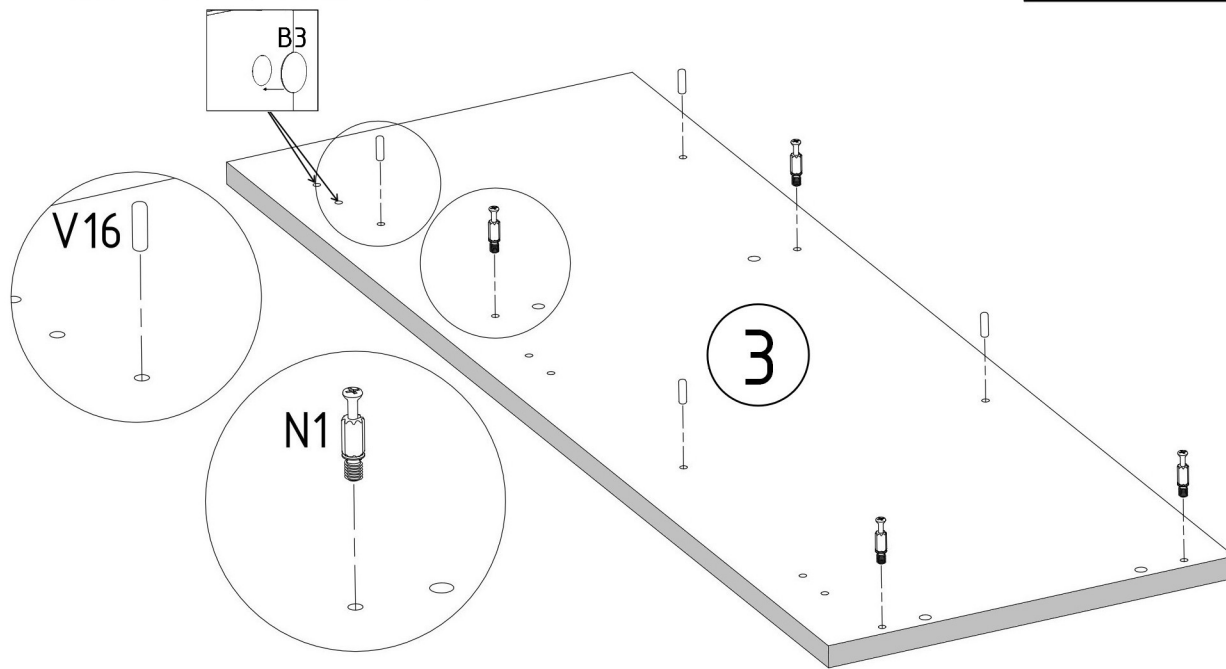
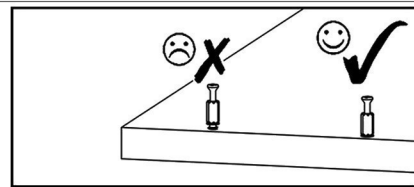
<b>M1</b>  12x15mm <b>x12</b>	<b>E1</b>  8x30mm <b>x12</b>
---	---

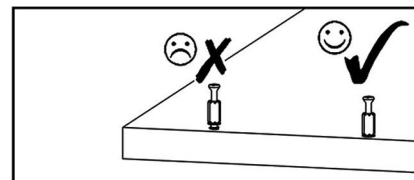
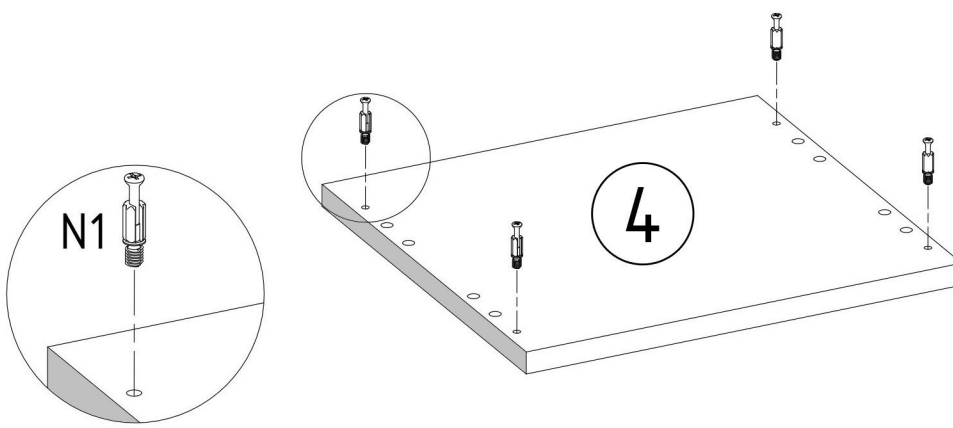
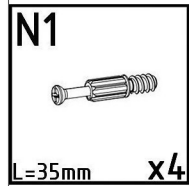
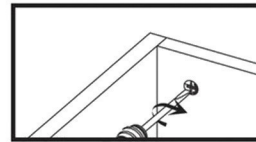
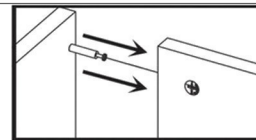
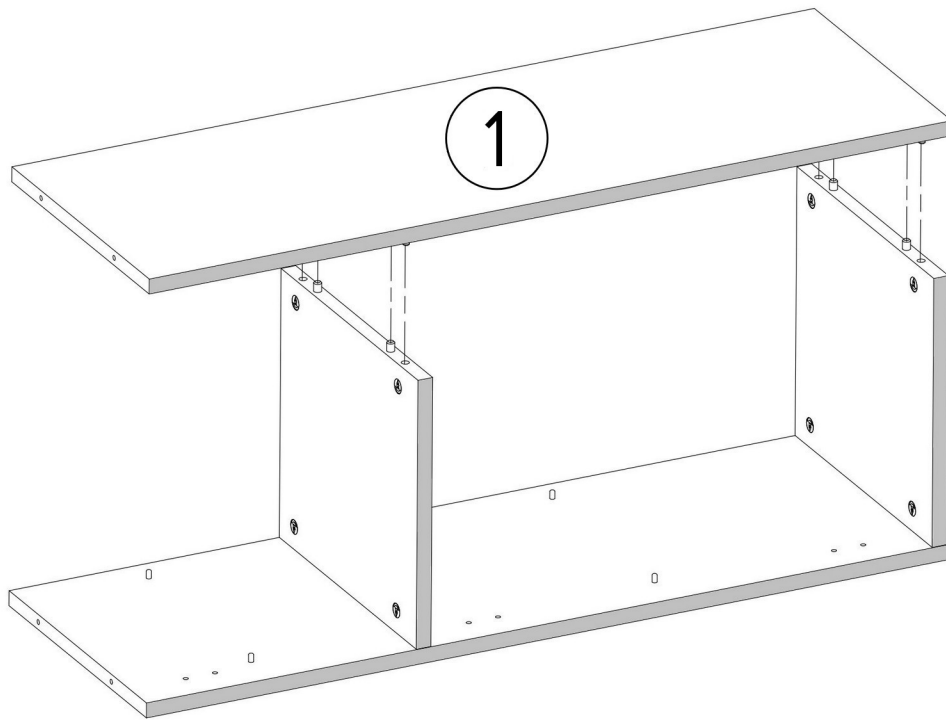


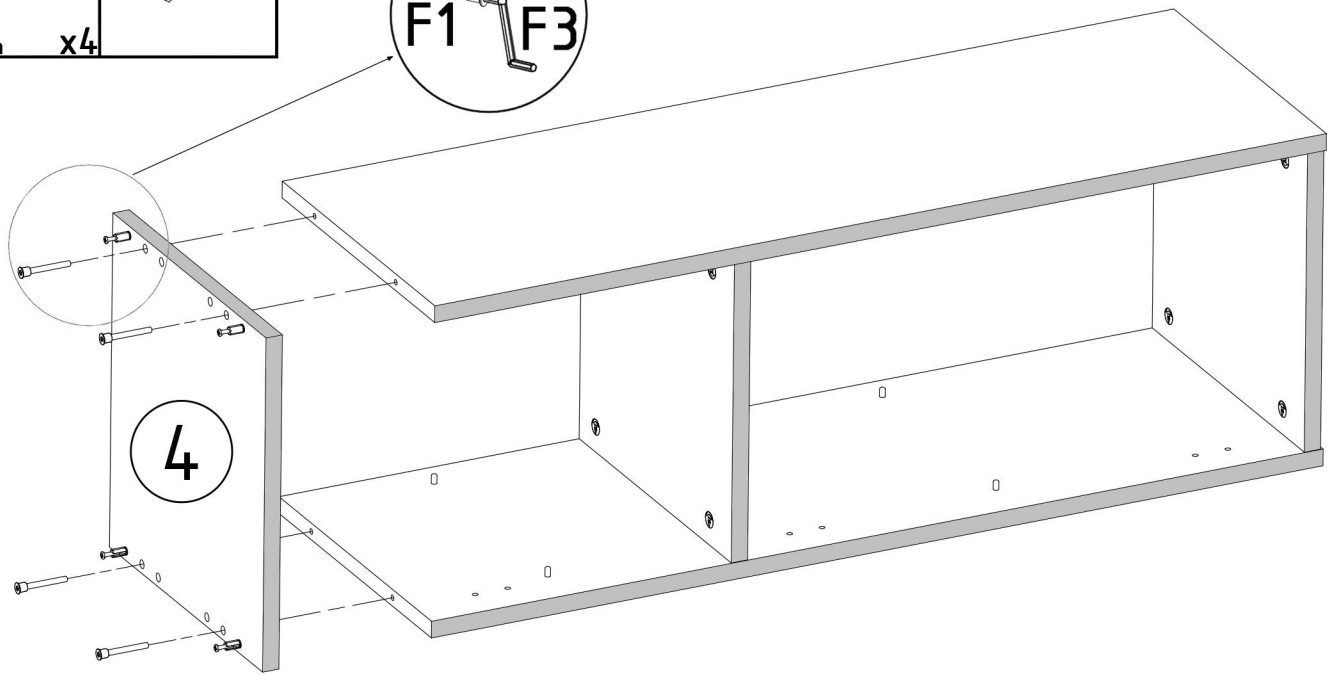
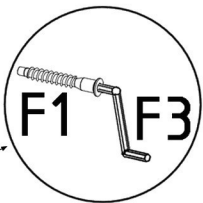
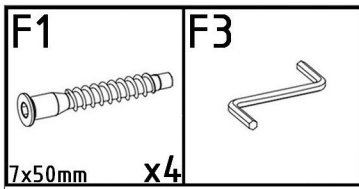
**x3**



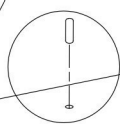
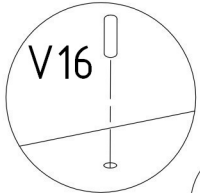
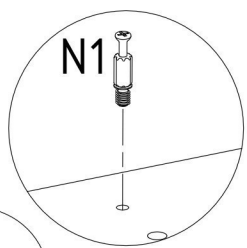
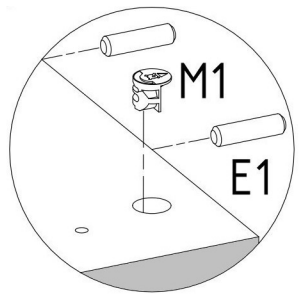
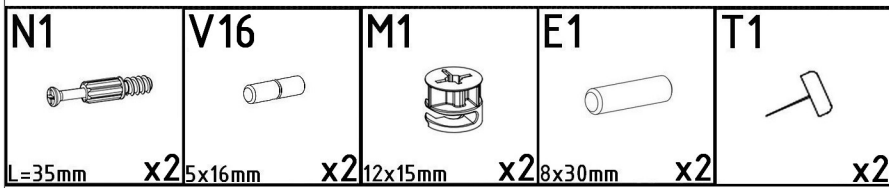
<b>N1</b>  L=35mm	<b>V16</b>  x4 5x16mm	<b>B3</b>  x4 ø7-8/5mm x2
---	--	---



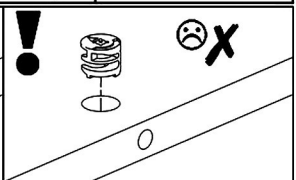
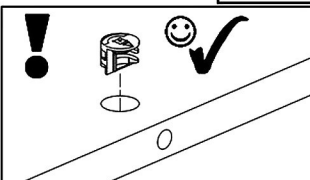
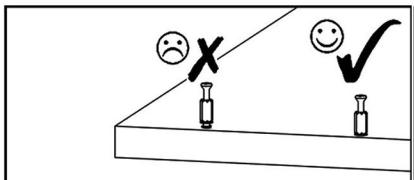
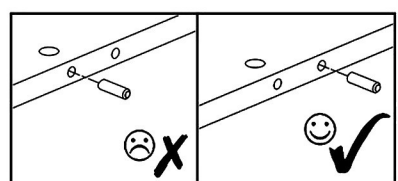
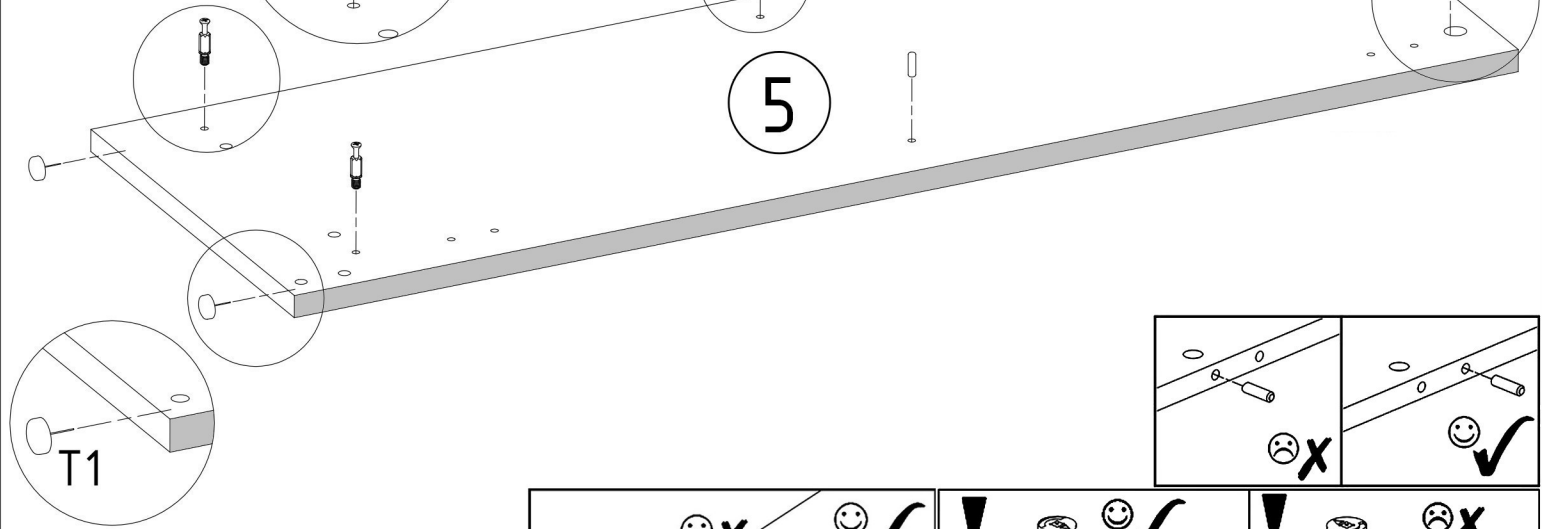



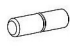





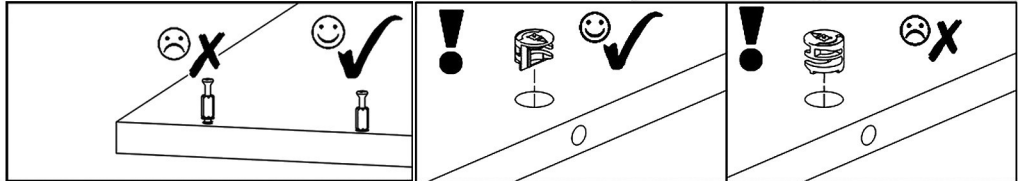
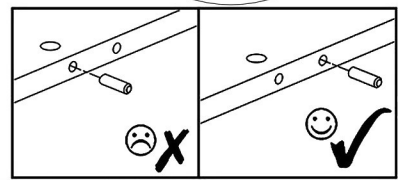
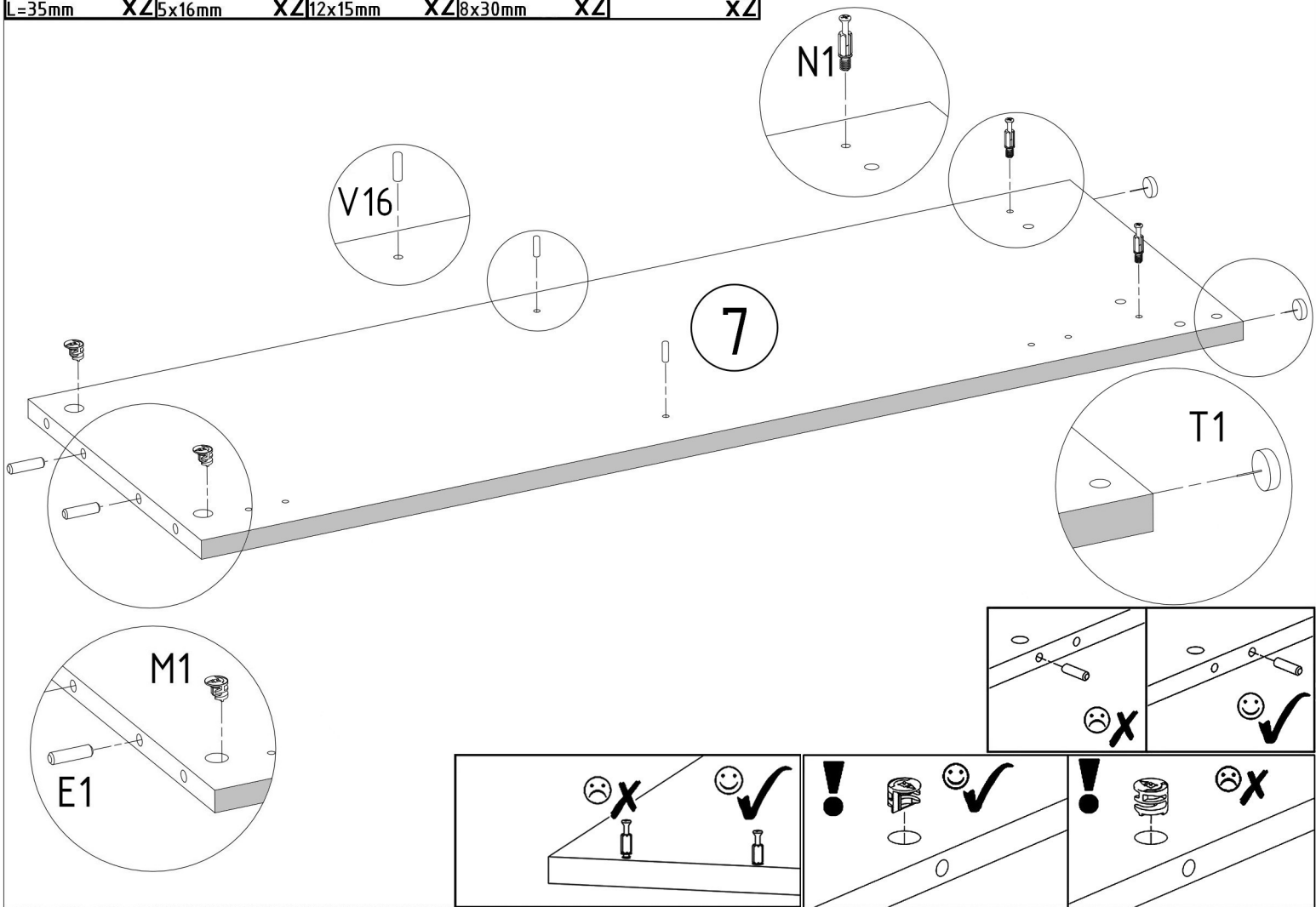
4




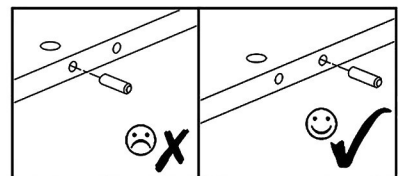
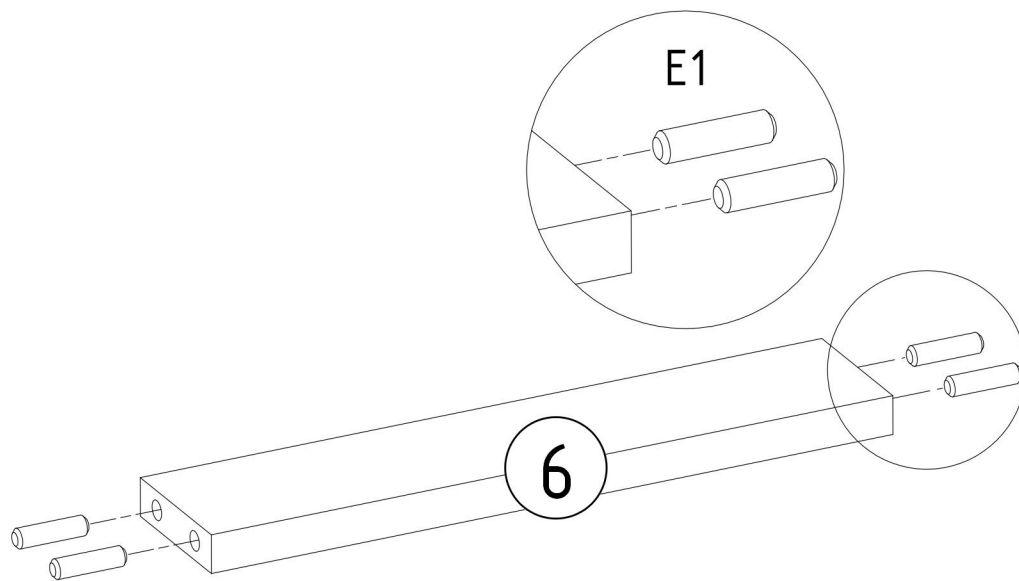
5

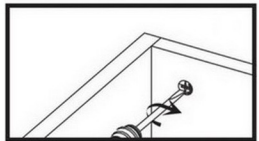
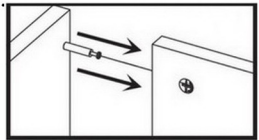
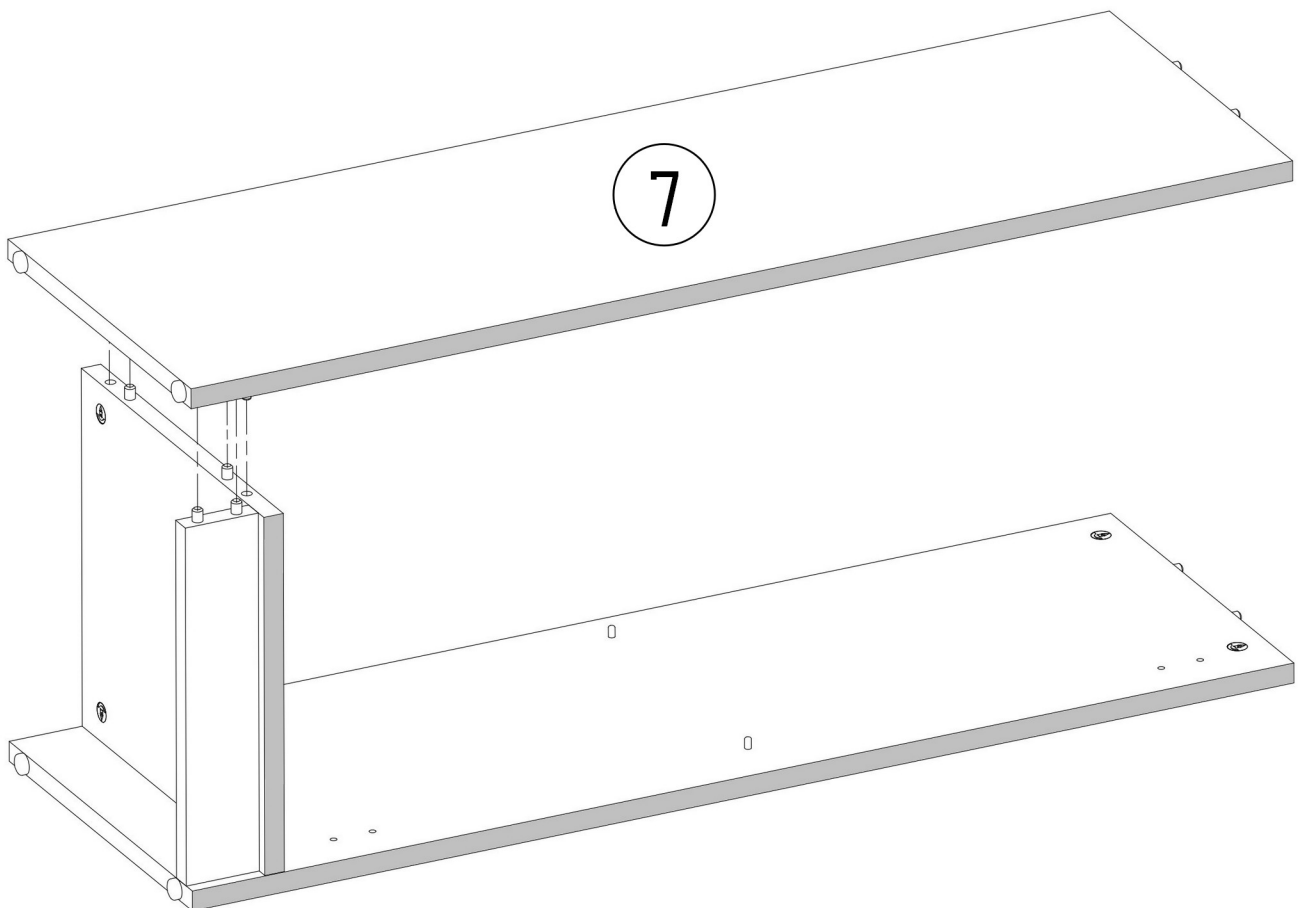
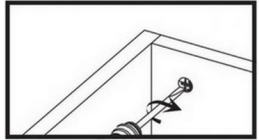
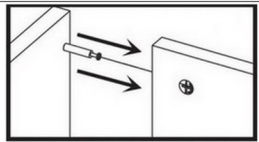
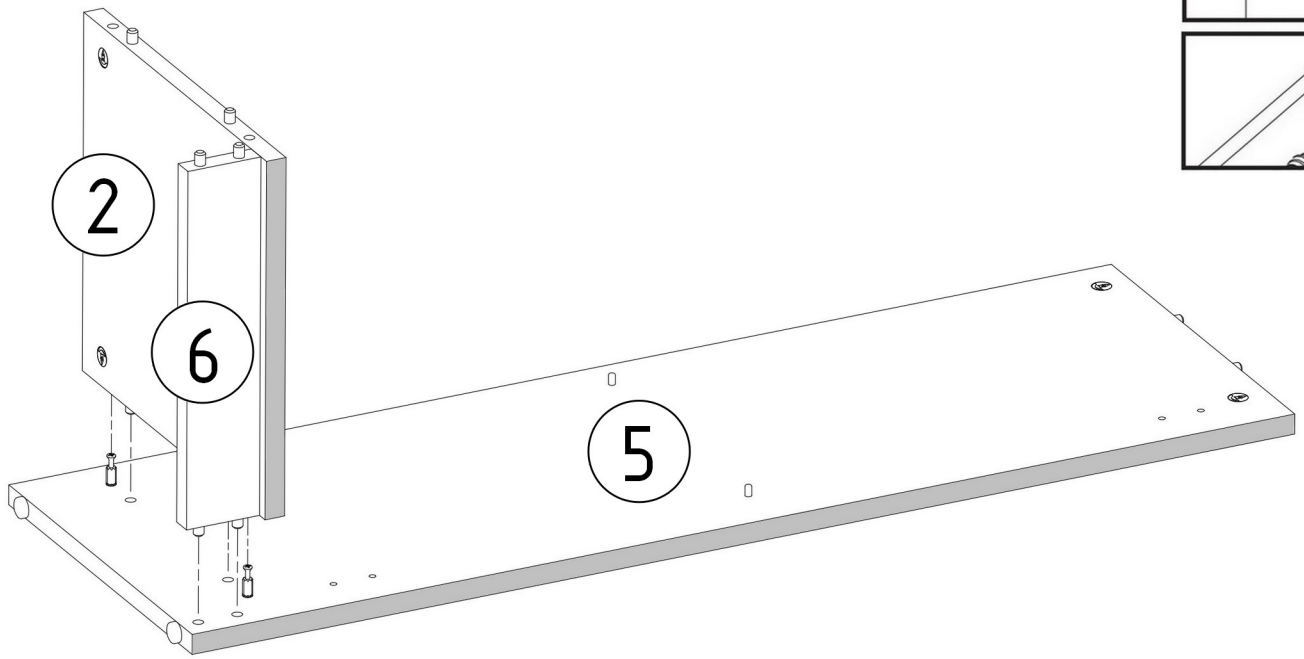


<b>N1</b>  L=35mm x2	<b>V16</b>  5x16mm x2	<b>M1</b>  12x15mm x2	<b>E1</b>  8x30mm x2	<b>T1</b>  x2
--	--	--	---	--




<b>E1</b>  8x30mm x4
--



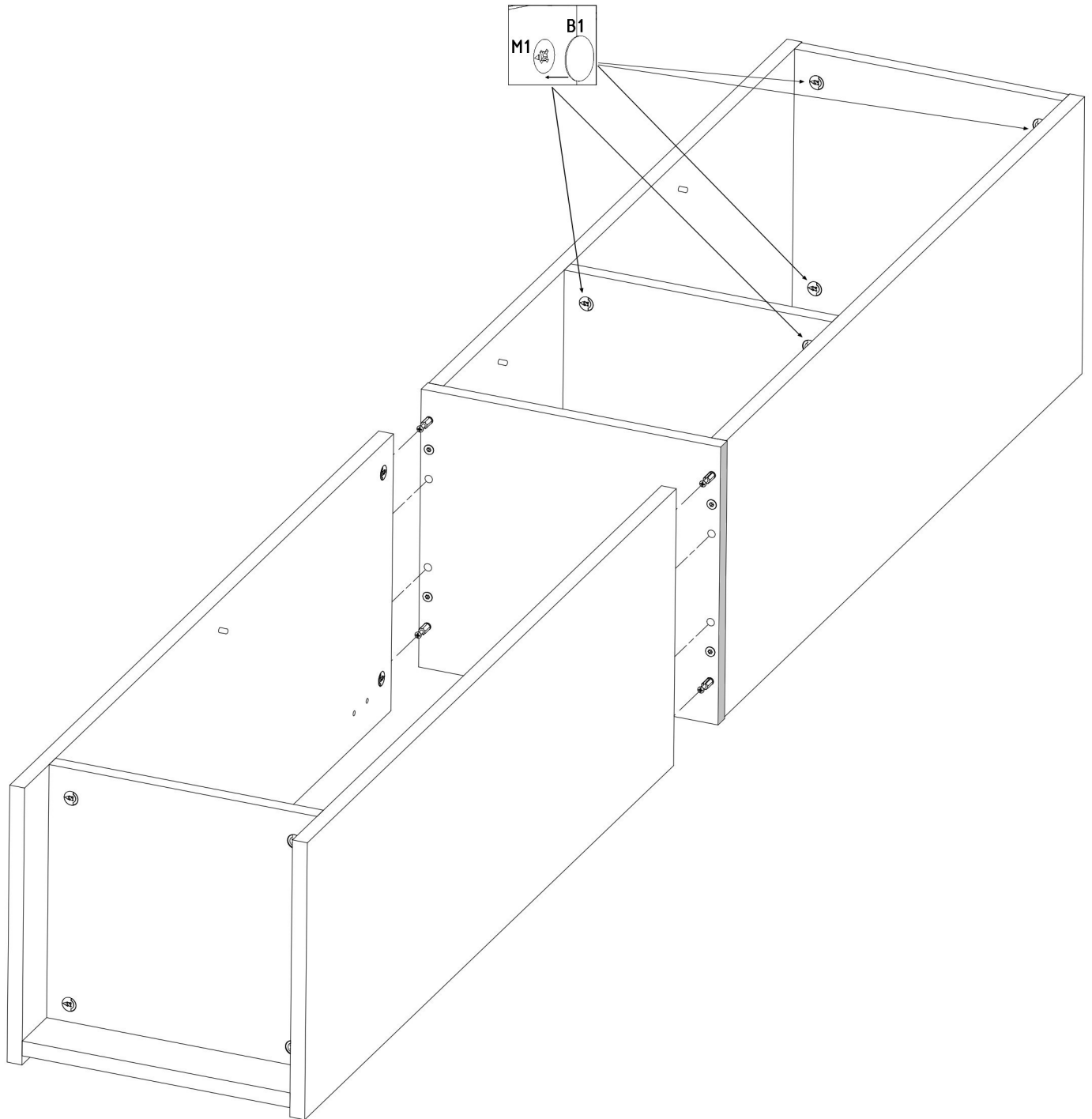
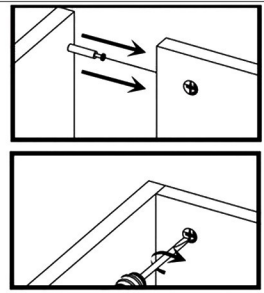






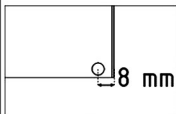
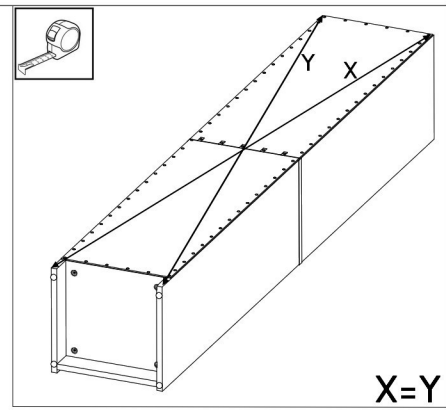
**B1**



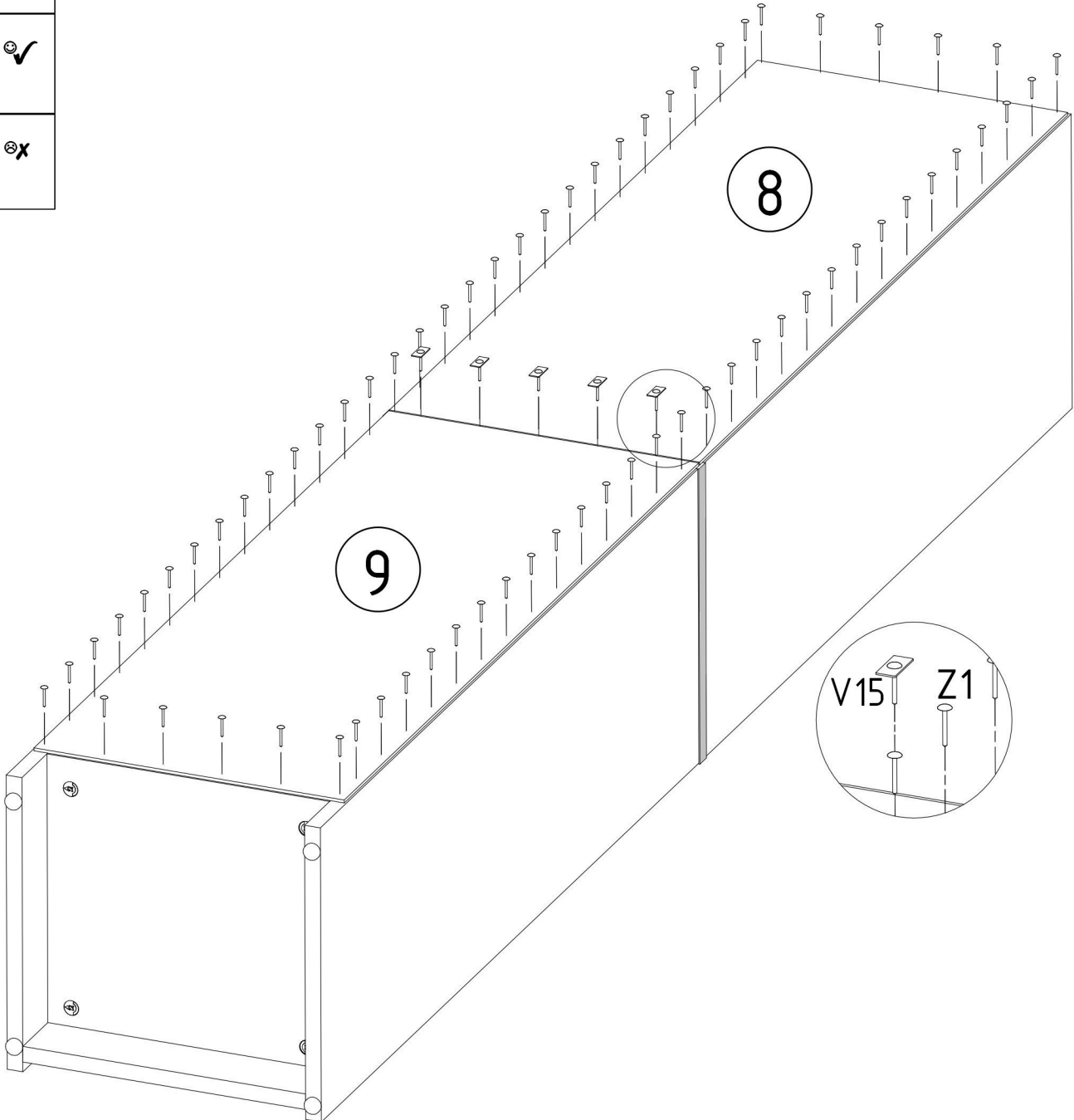
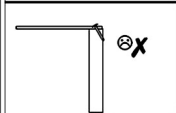
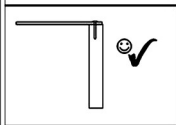
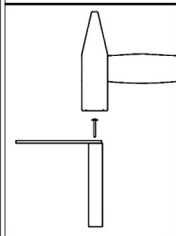
ø17mm x8





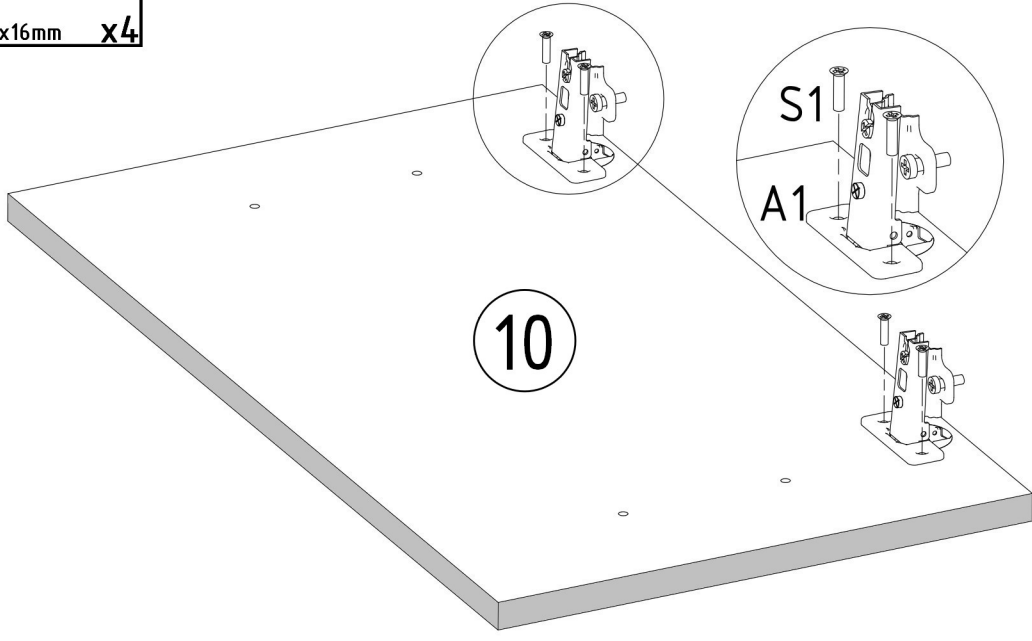
<b>Z1</b>  x75	<b>V15</b>  x5
--	---





8 mm



<b>A1</b> 	<b>S1</b> 
ZP	<b>x2</b> 3,5x16mm <b>x4</b>



<b>A1</b> 	<b>S1</b> 
ZP	<b>x2</b> 3,5x16mm <b>x4</b>

