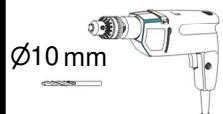
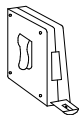
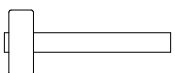
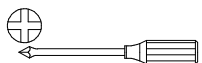
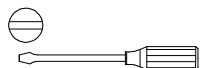
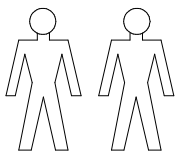
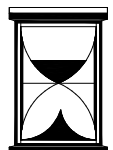
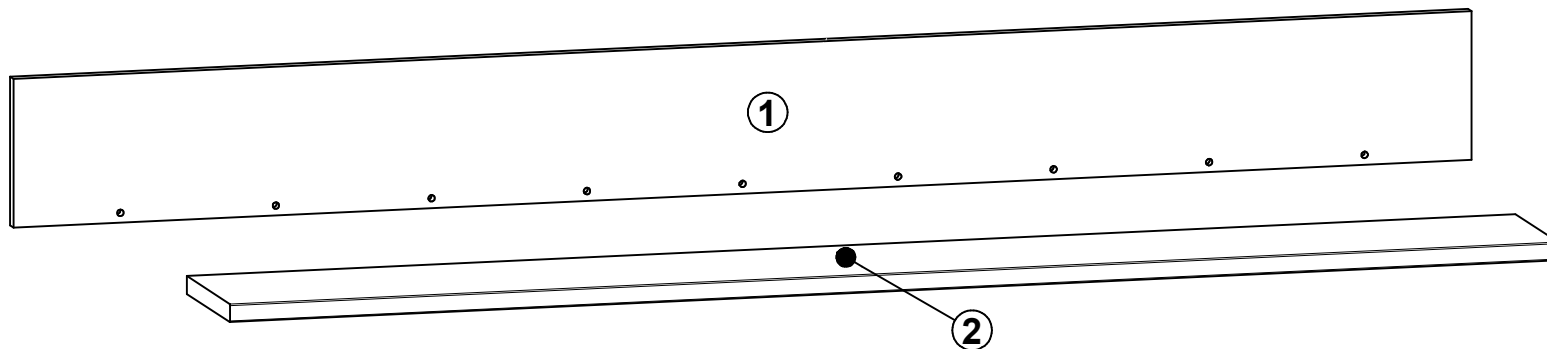
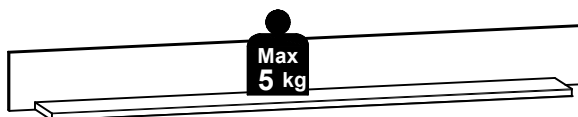


A**S246-P/2/18****10A1--41**

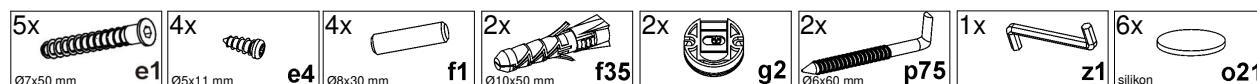
2 / 4



Ø10 mm

**15 min**

A	B	C (mm)		D
1	S246-4001	1800	180	1/1
2	S246-3001	1640	200	1/1



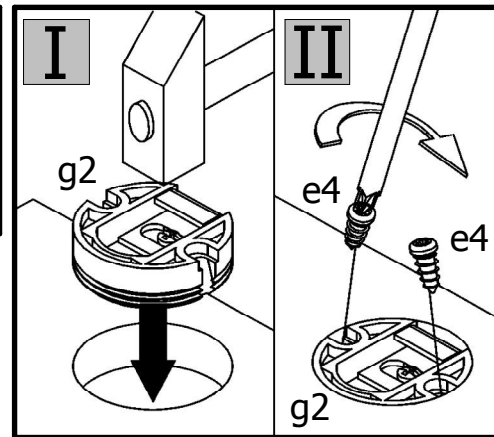
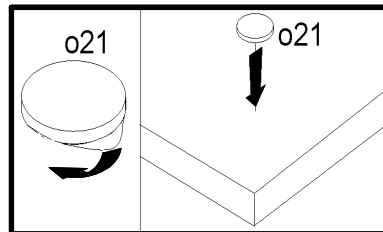
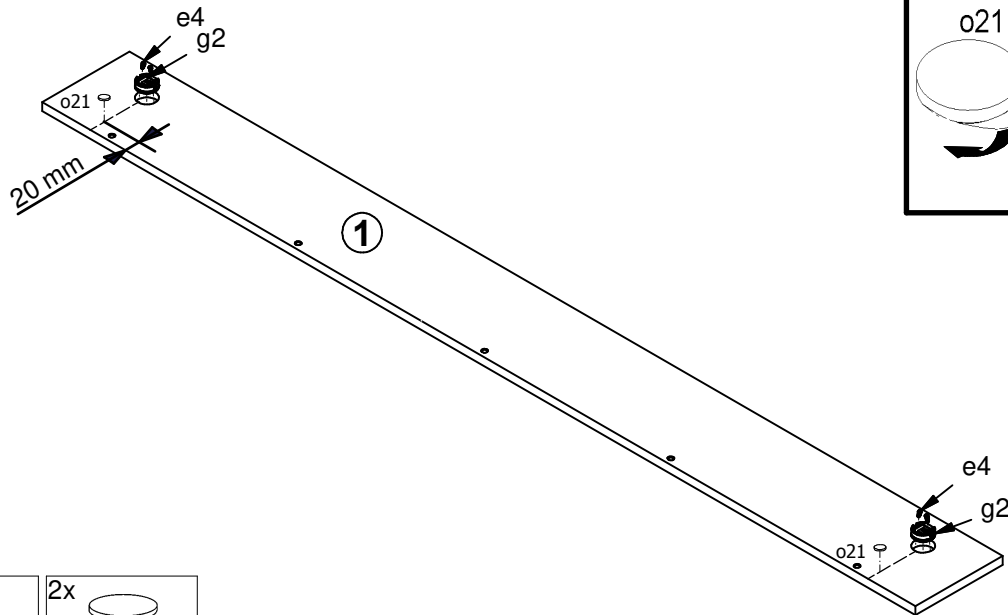
A

S246-P/2/18

10A1--41

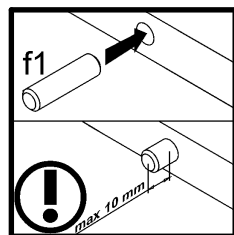
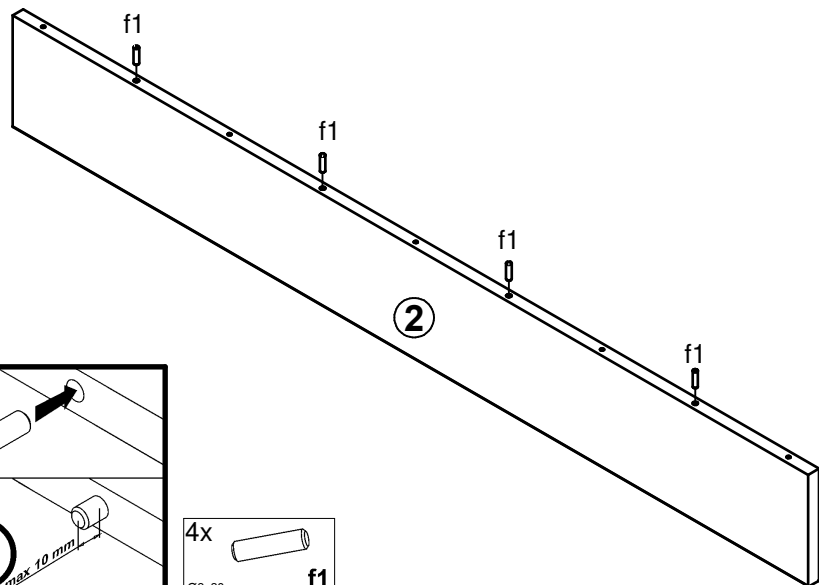
3 / 4


1 §2



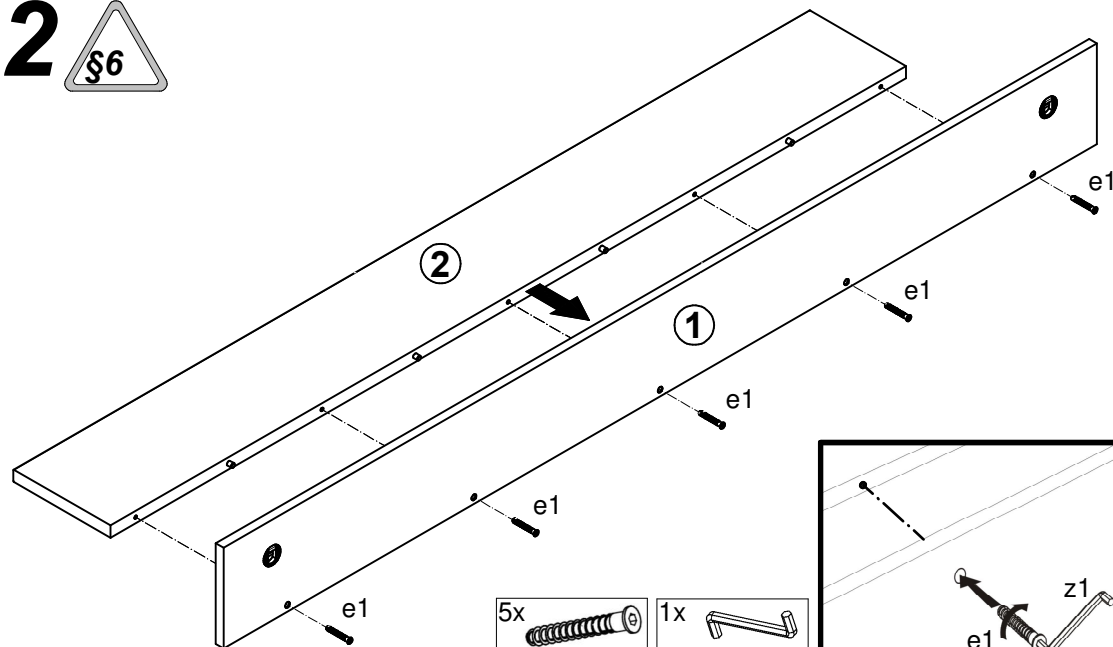
- 2x  g2
- 4x  e4
- 2x  silikon o21


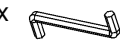
1

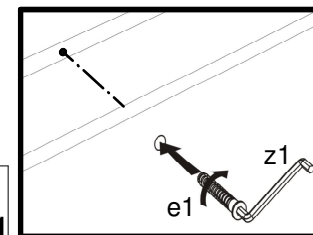


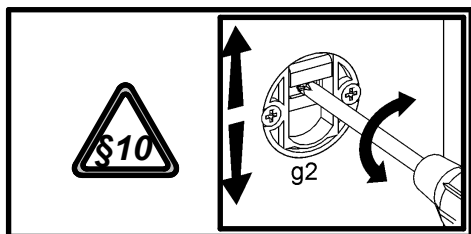
- 4x  f1

2 §6

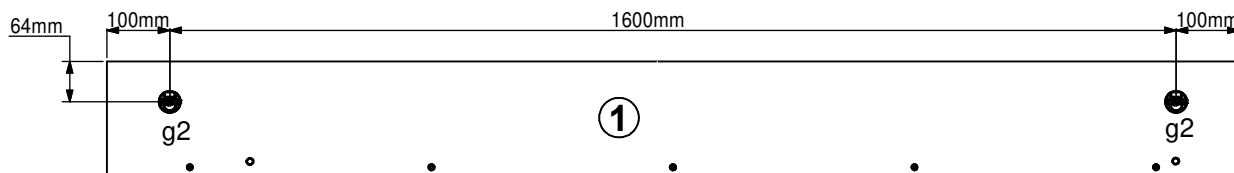
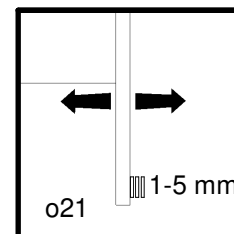
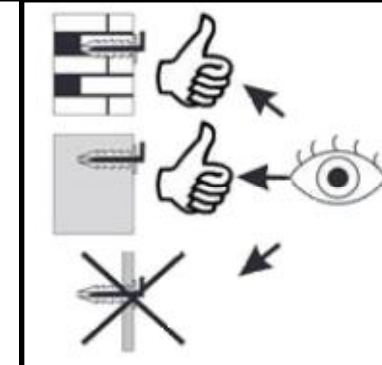
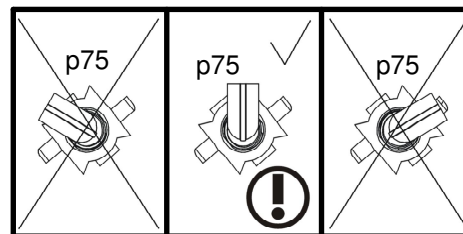
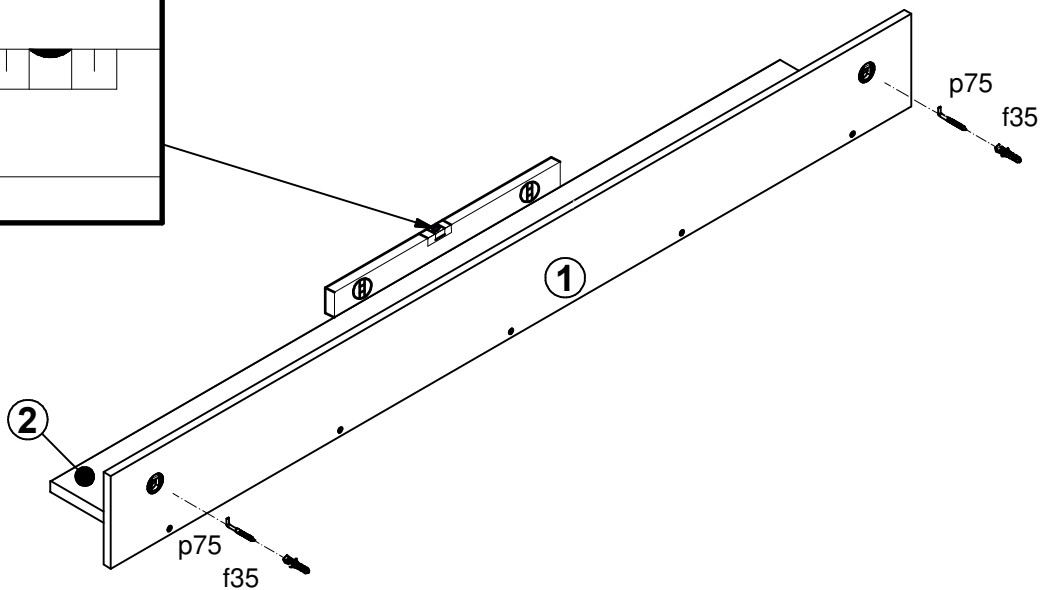
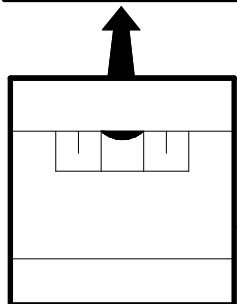
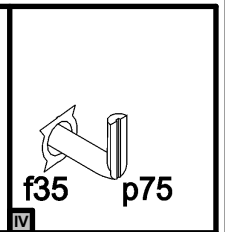
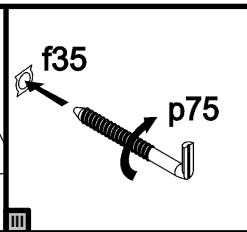
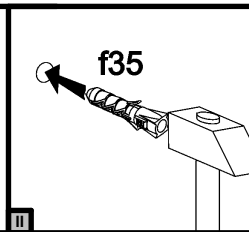
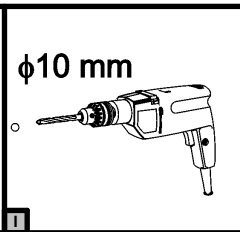


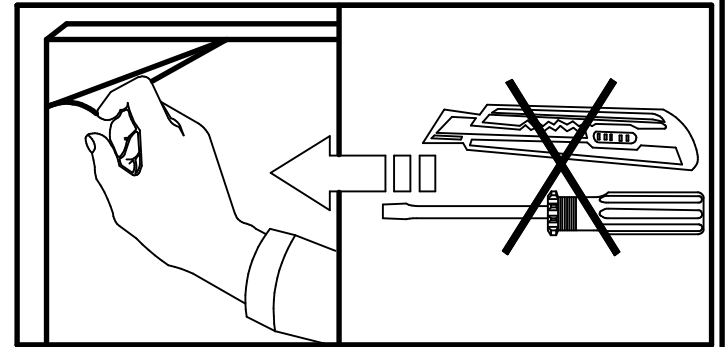
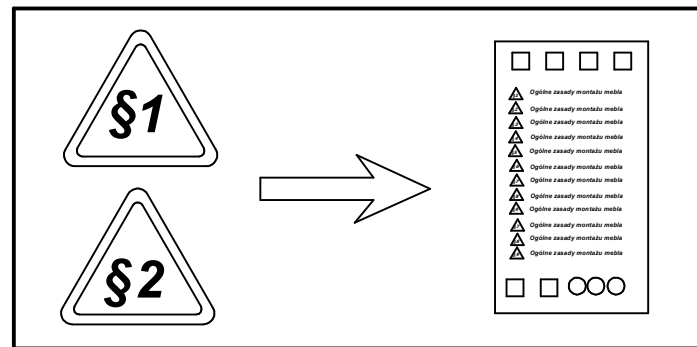
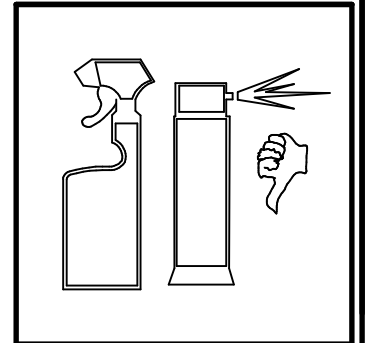
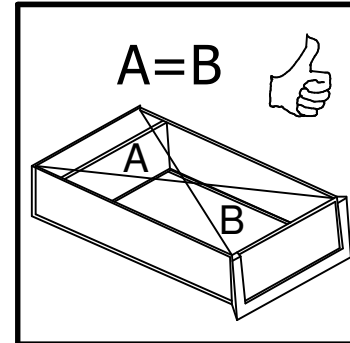
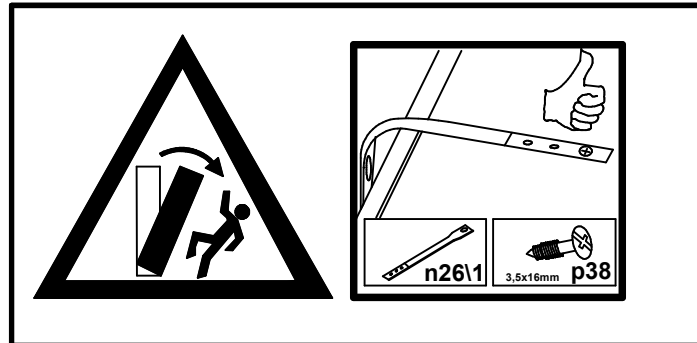
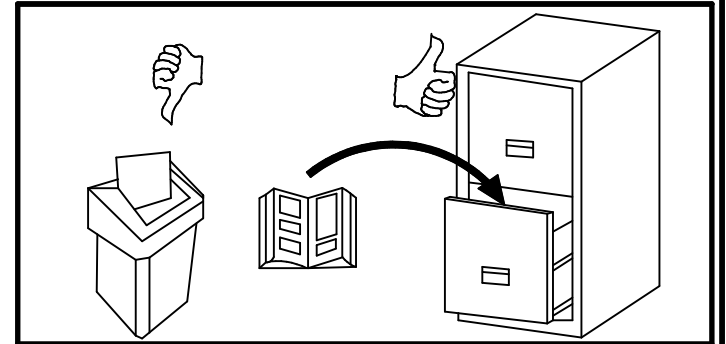
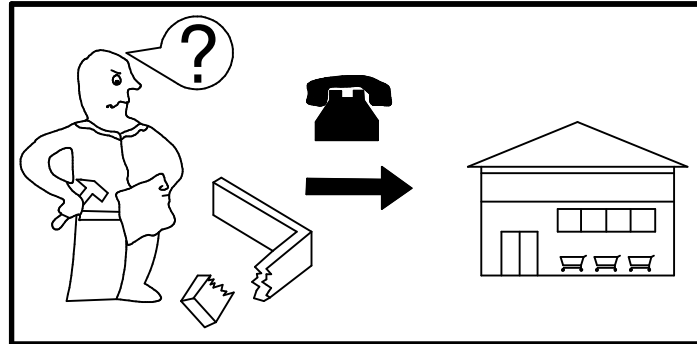
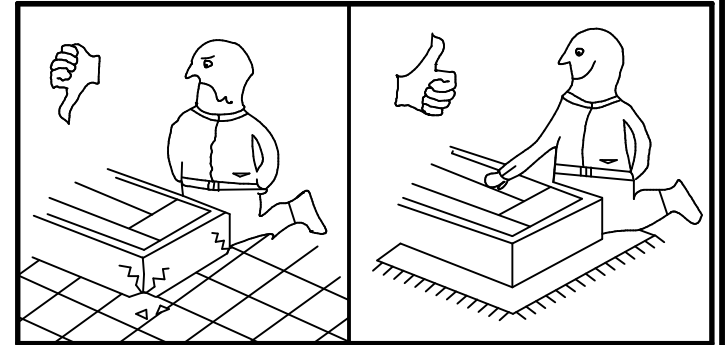
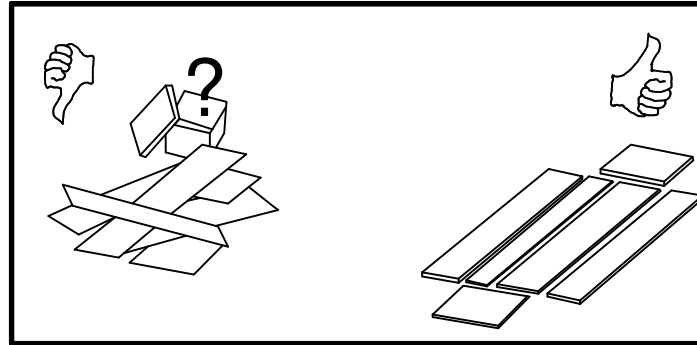
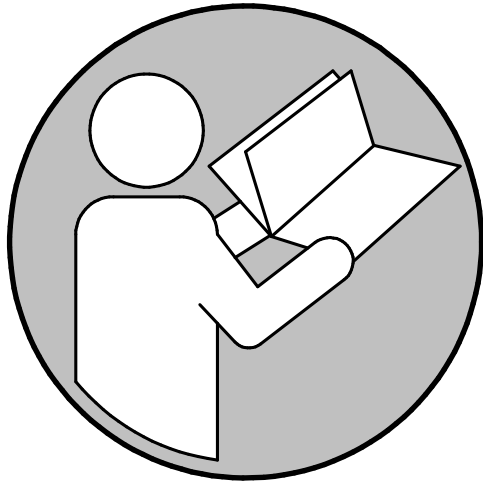
- 5x  e1
- 1x  z1

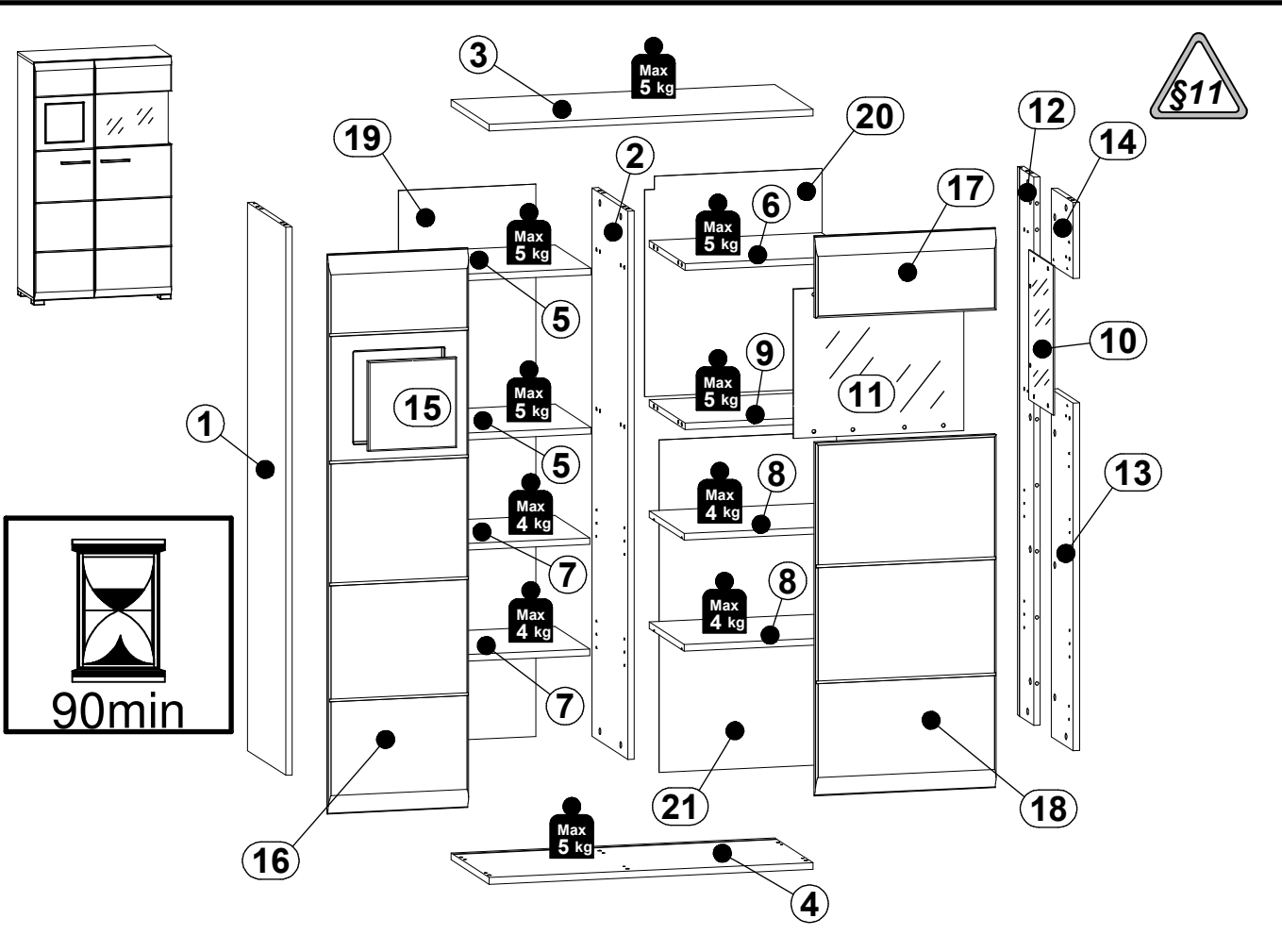
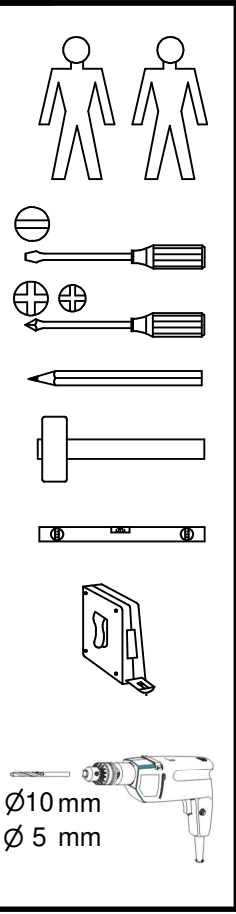




3



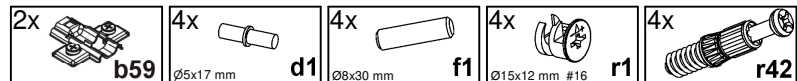
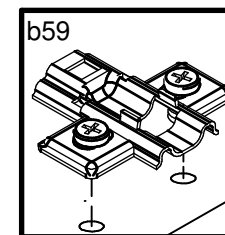
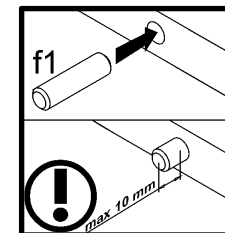
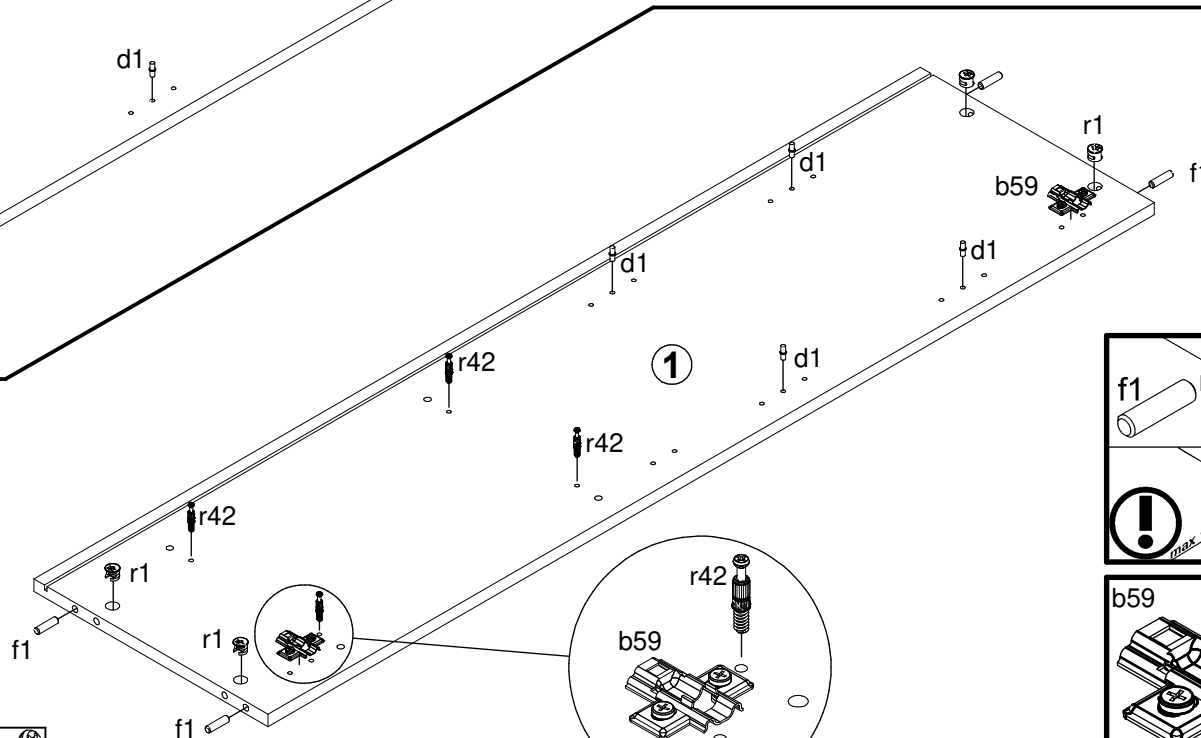
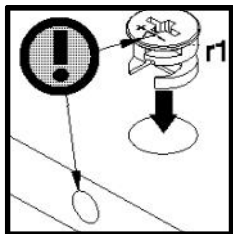
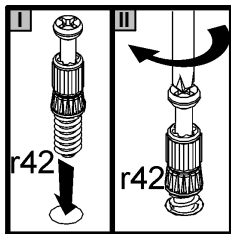
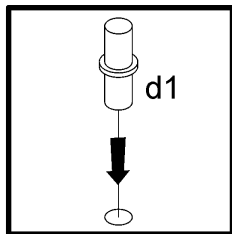
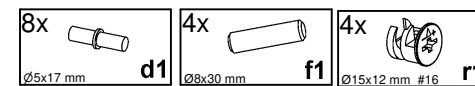
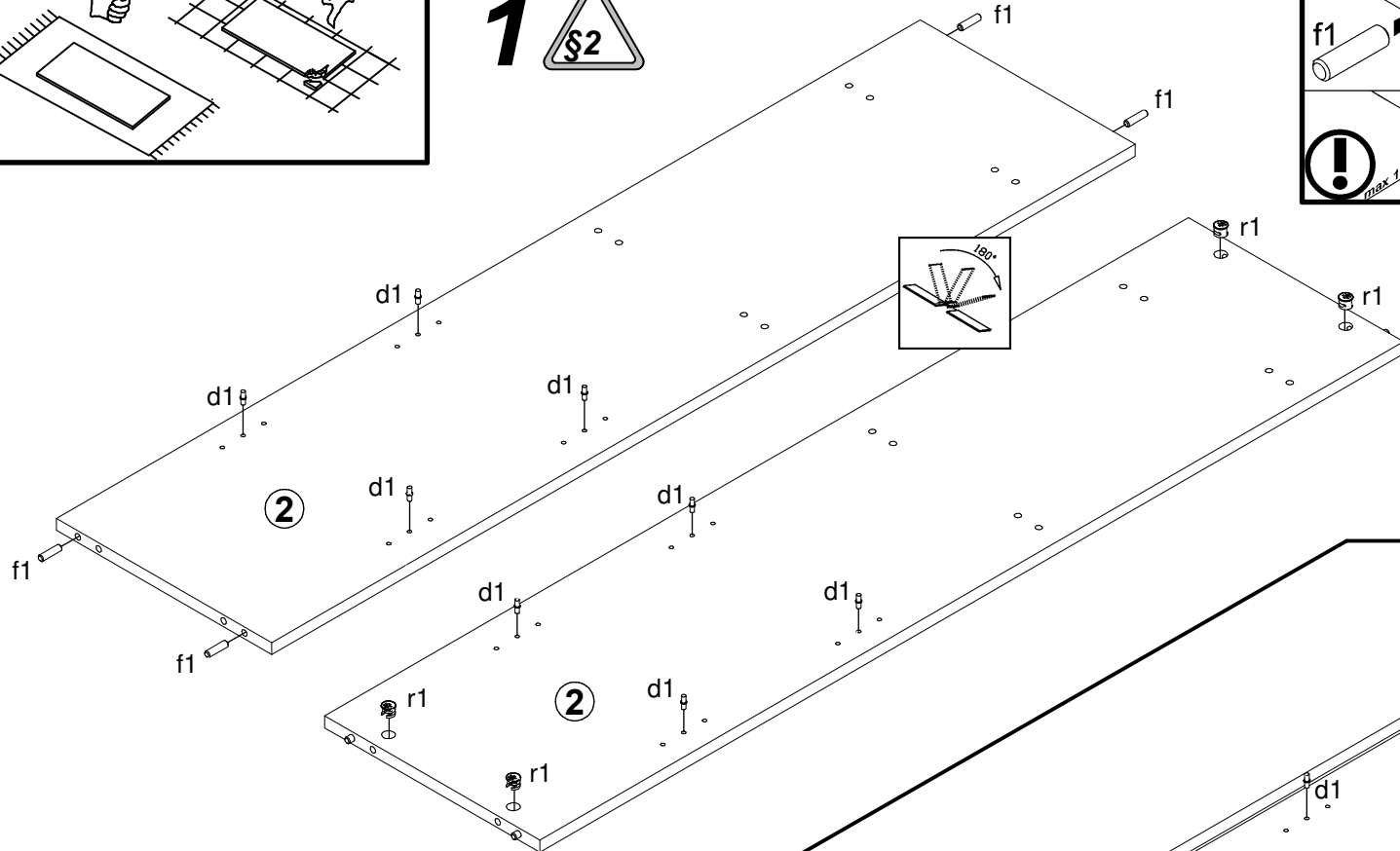
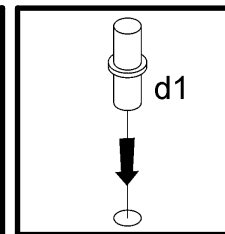
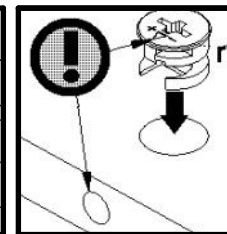
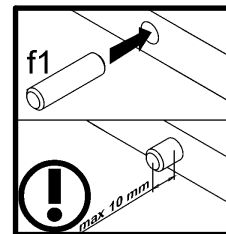
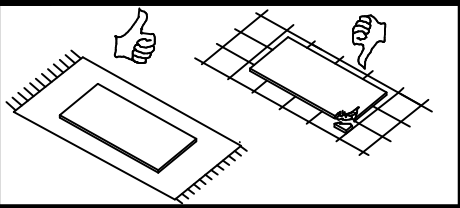





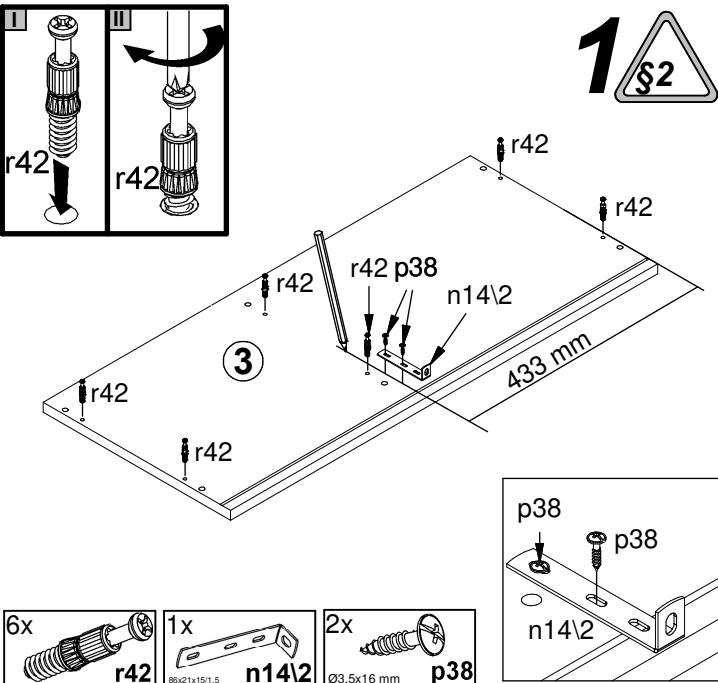
A	B	C (mm)		D
1	S246-1007	1328	351	2/2
2	S246-1008	1328	331	2/2
3	S246-2005	800	351	1/2
4	S246-2006	800	351	1/2
5	S246-3004	326	331	2/2
6	S246-3005	425	331	2/2
7	S246-3006	325	321	2/2
8	S246-3007	424	321	1/2
9	S246-3008	425	331	1/2
10	S246-5501	362	226	1/2
11	S246-5552	362	421	1/2
12	S246-7001	1328	150	2/2
13	S246-7002	842	201	2/2
14	S246-7003	184	201	2/2
15	S246-7301	218	218	2/2
16	S246-7802	1356	346	2/2
17	S246-7803	197	446	1/2
18	S246-7804	857	446	1/2
19	S246-9003	1338	339	2/2
20	S246-9004	533	438	1/2
21	S246-9009	805	438	1/2

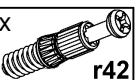
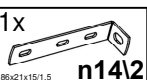
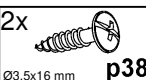


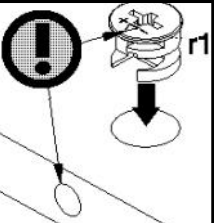
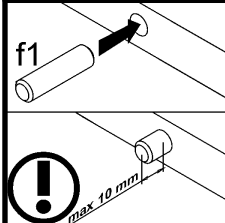
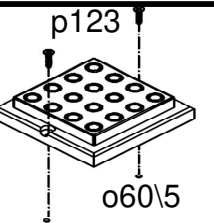
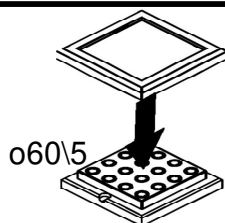
1x a44	5x a102	1x b35	5x b59	2x c347	16x d1	6x e47	20x f1	7x f6	4x j8	1x k53	4x k55	4x l1		
16x l2	12x n108	14x o54	1x o60\3	1x o60\5	8x p6	1x p36	12x p38	12x p51	12x p55	36x r1	8x r10	20x r42		
36x s2														
											1x f35	1x n14\2	1x p17	2x p38



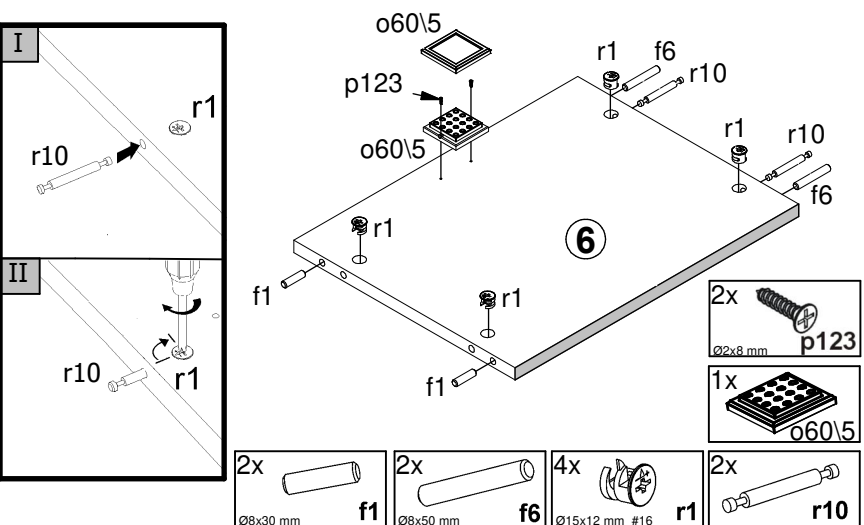
1  §2

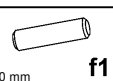
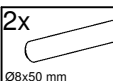
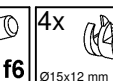
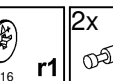


6x  **r42** 1x  **n142** 2x  **p38**

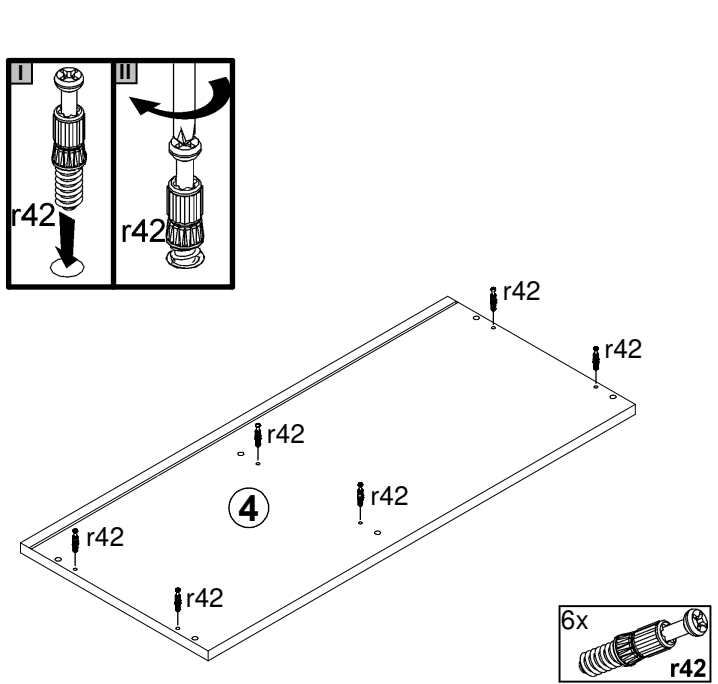
 
 

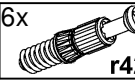
6



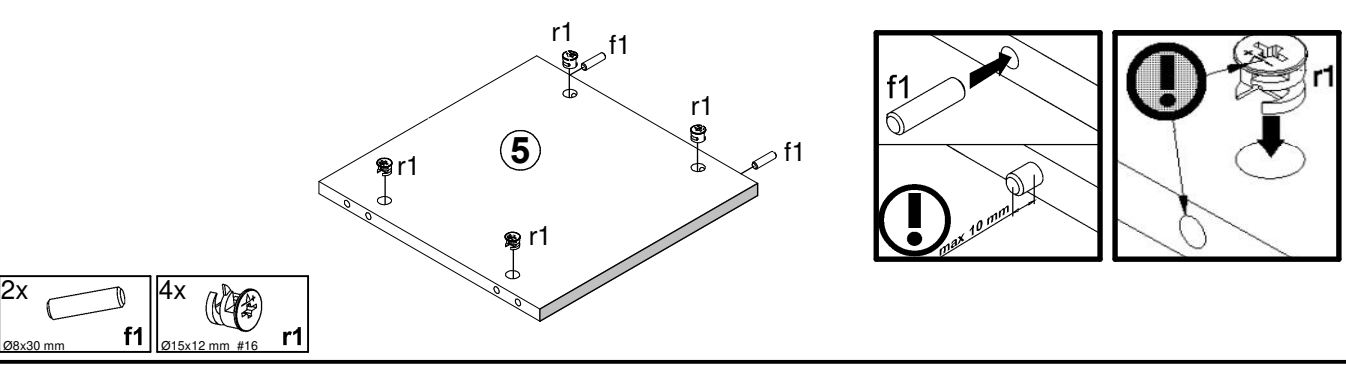
2x  **f1** 2x  **f6** 4x  **r1** 2x  **r10**

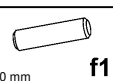
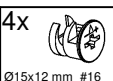
4

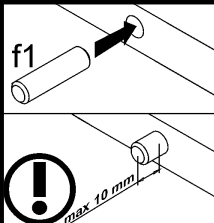
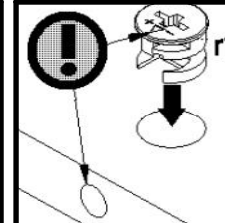
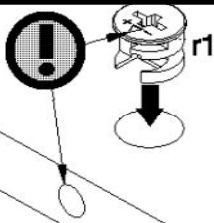


6x  **r42**

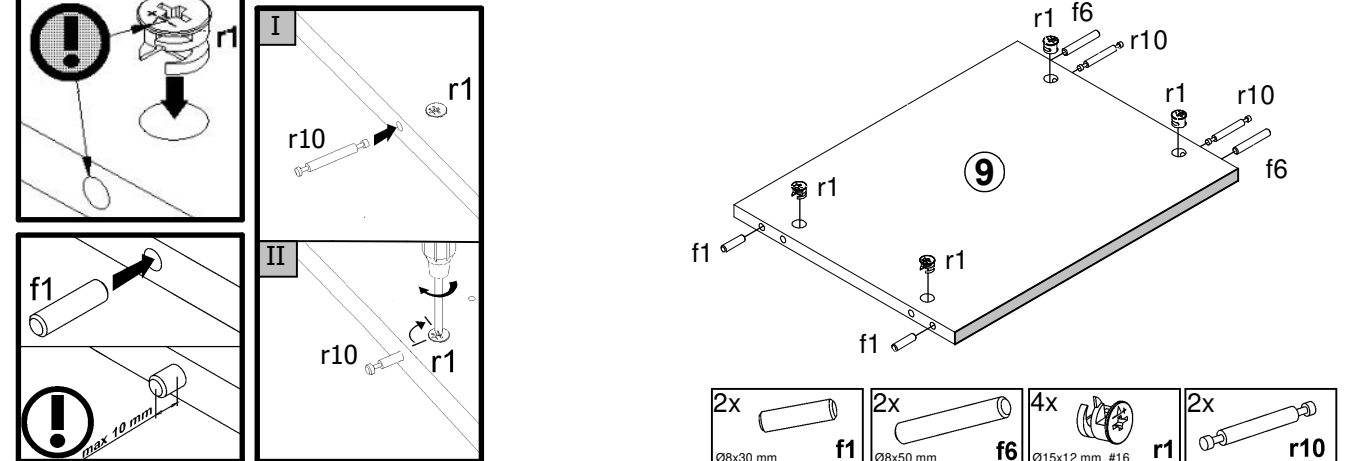
5

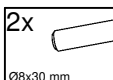
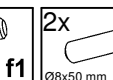
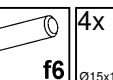



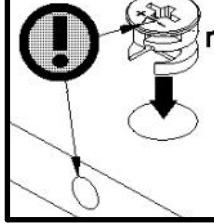
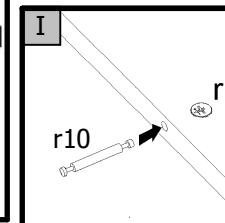
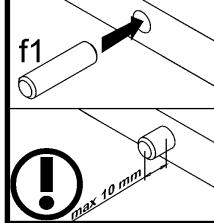
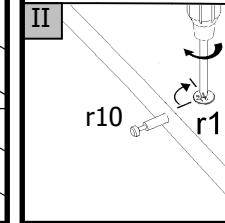
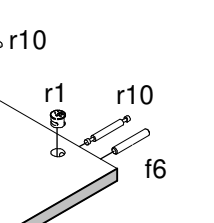
2x  **f1** 4x  **r1**

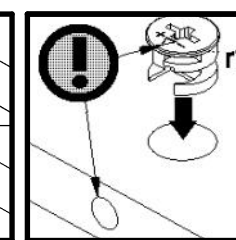
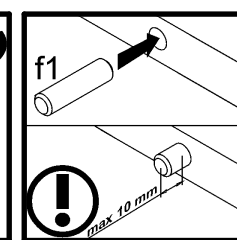
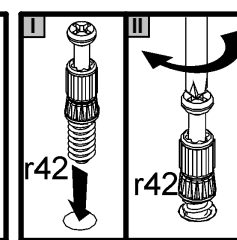
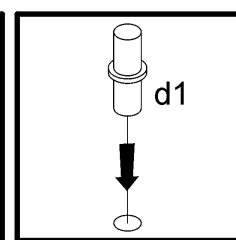
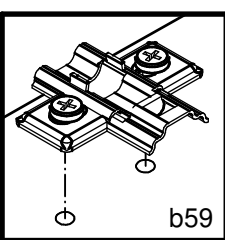
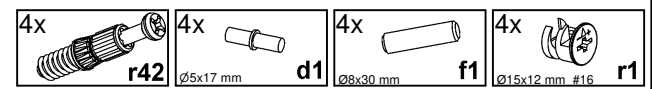
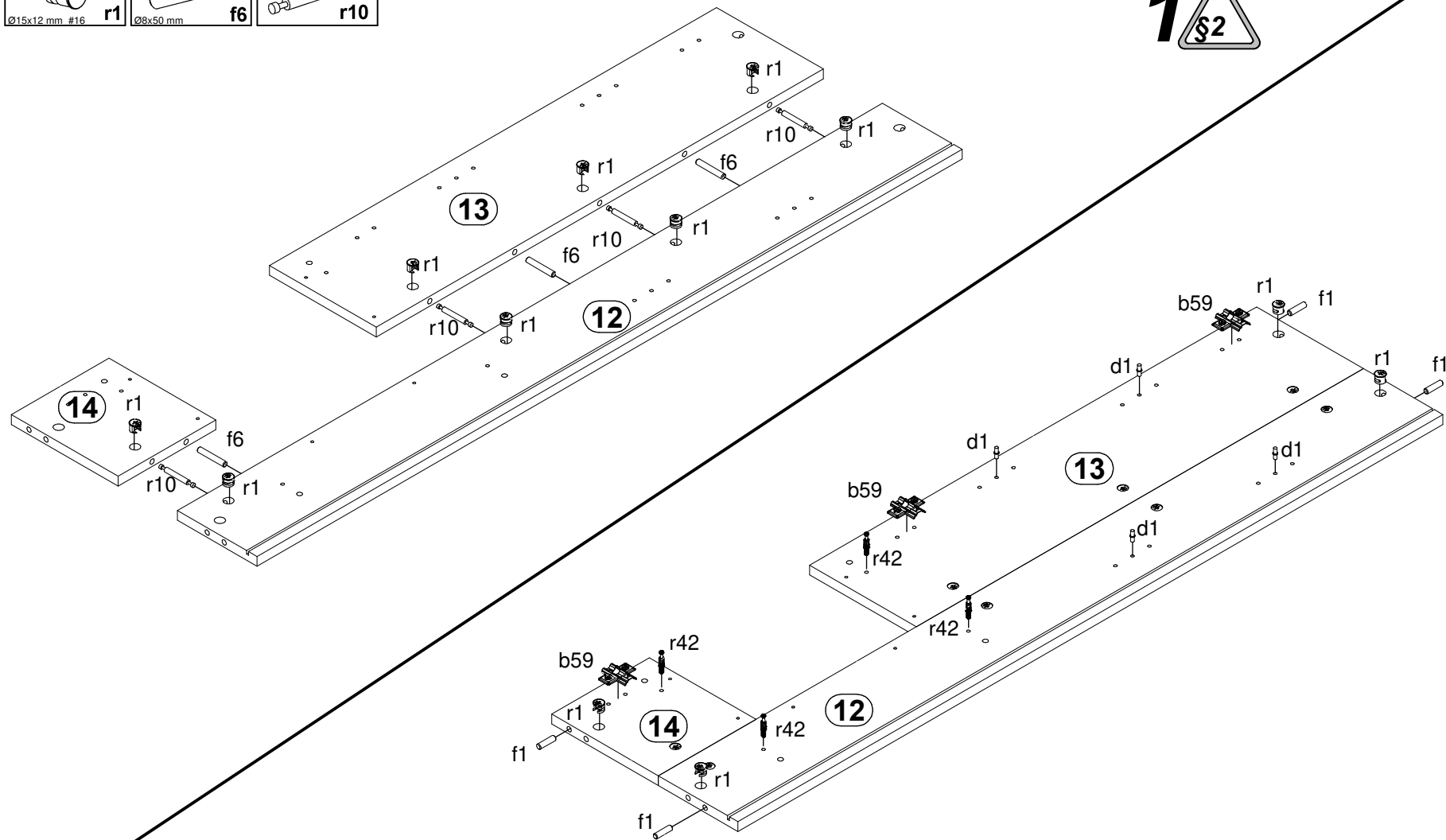
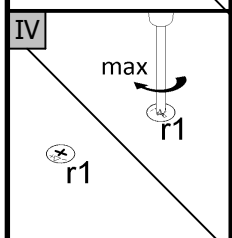
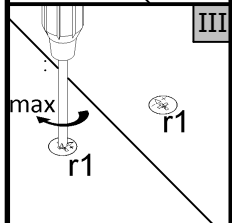
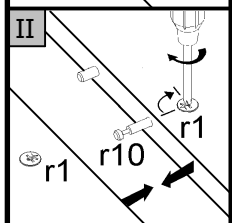
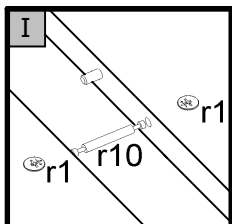
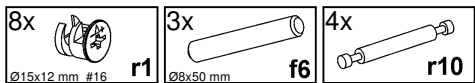
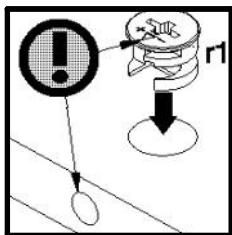
  

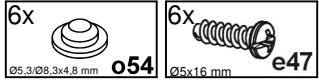
9



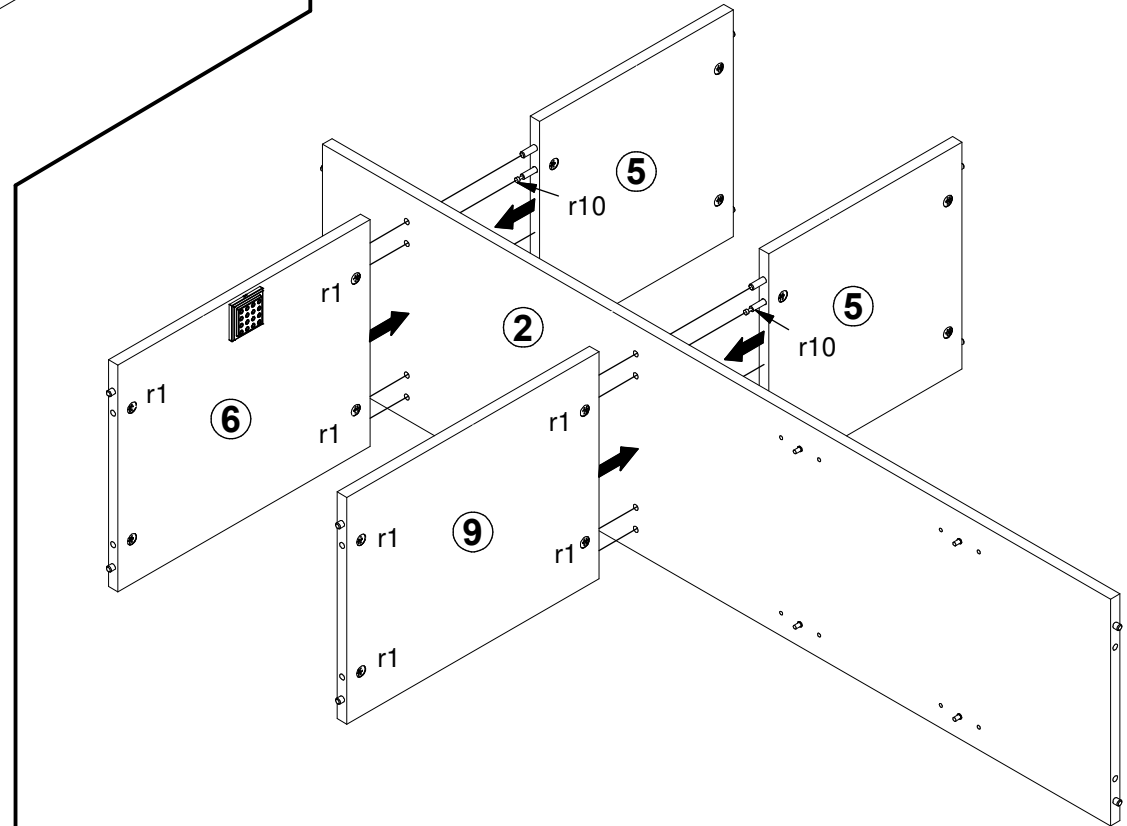
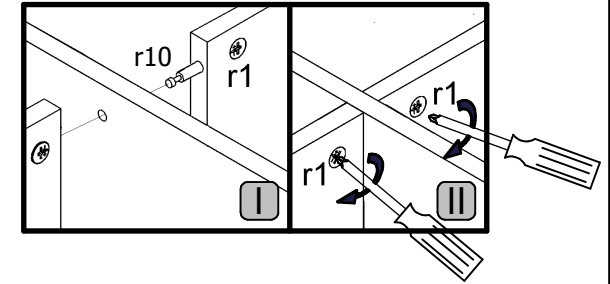
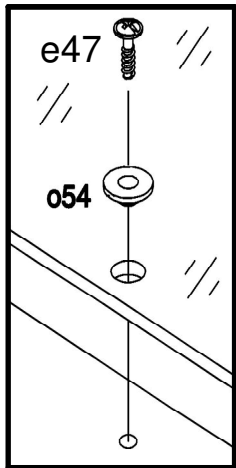
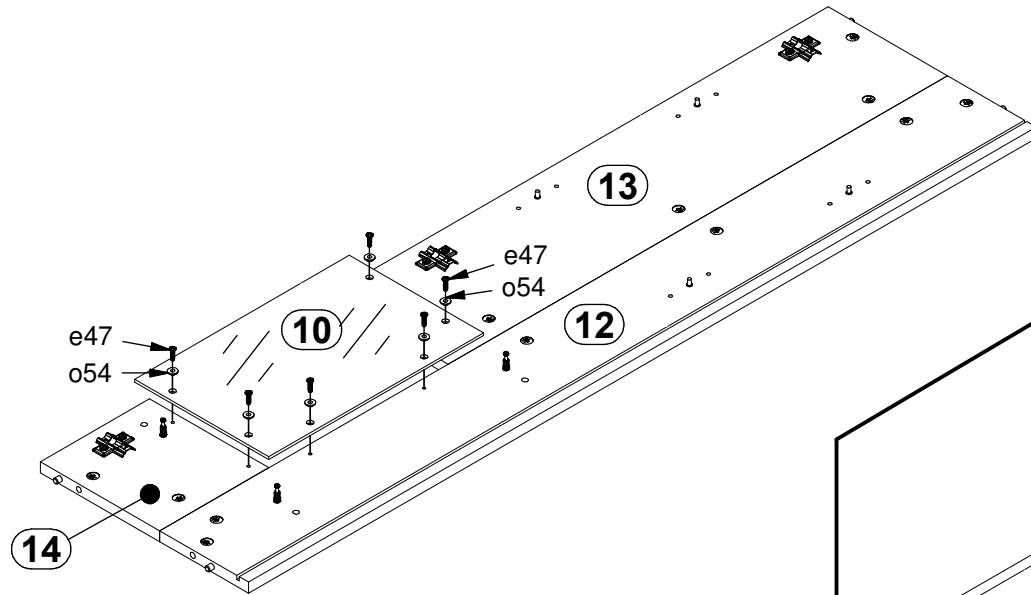
2x  **f1** 2x  **f6** 4x  **r1** 2x  **r10**

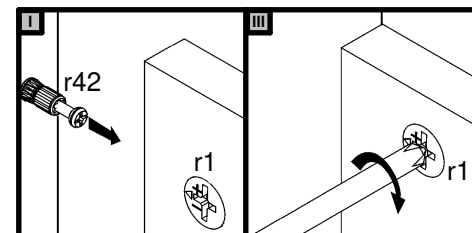
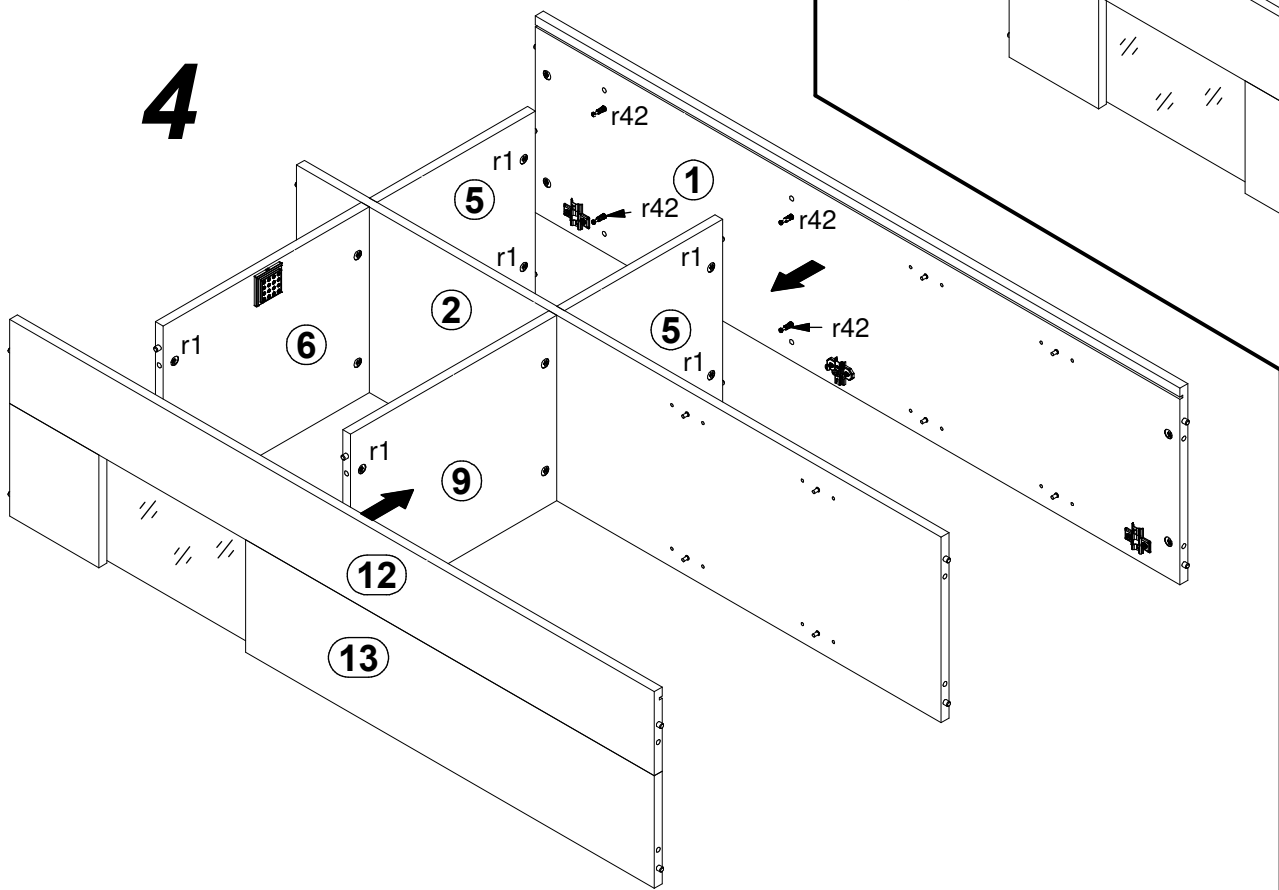
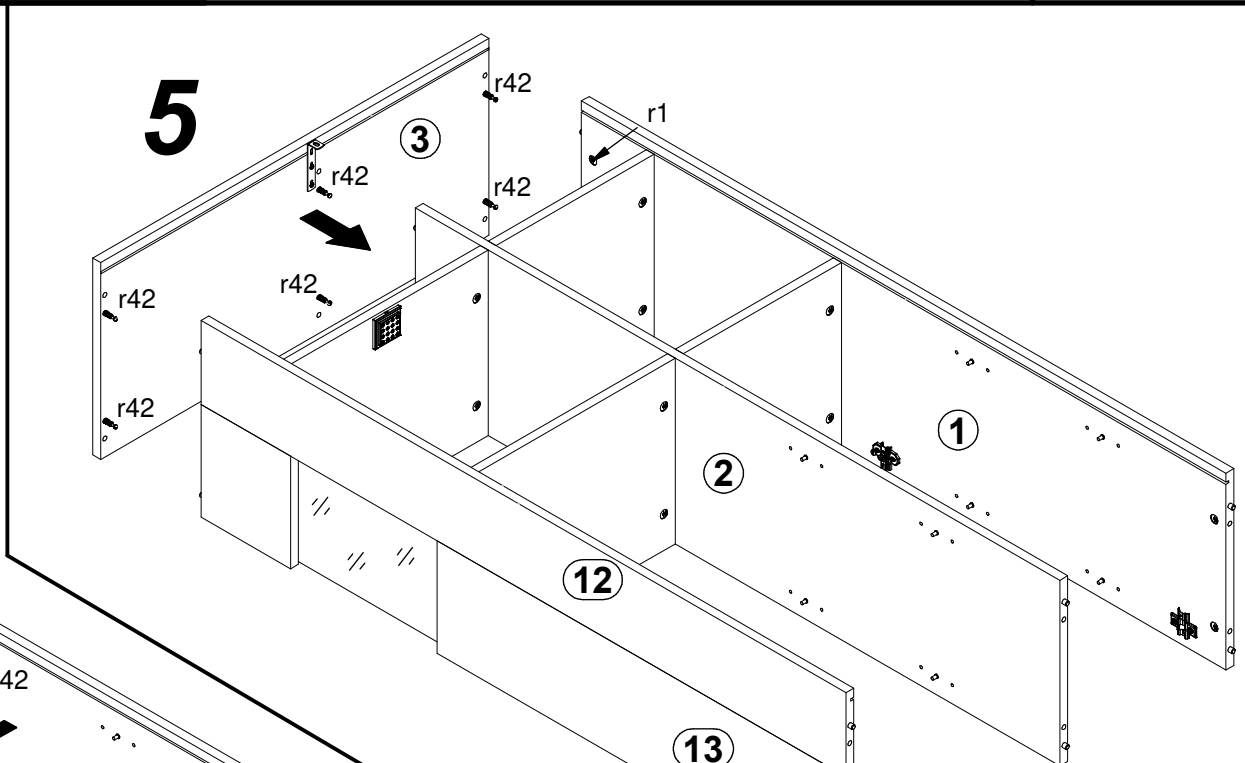
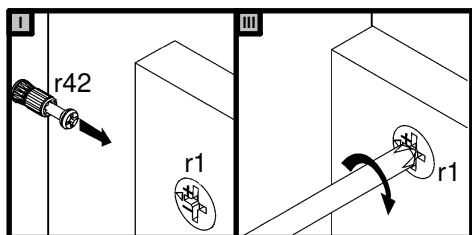




2

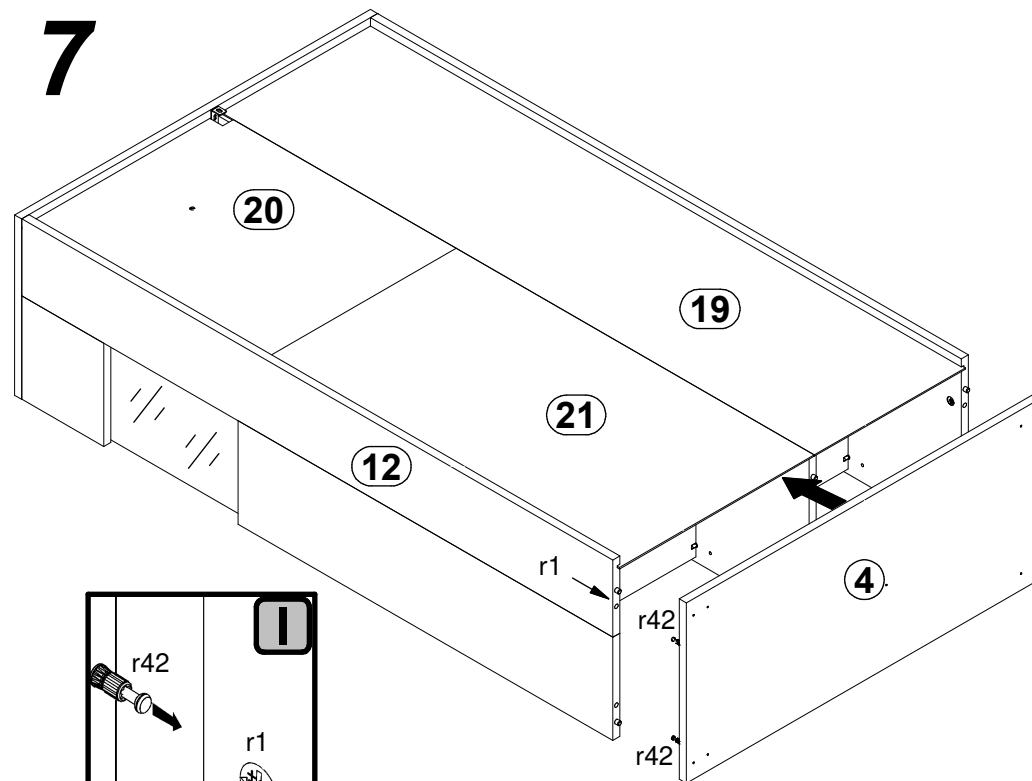


3

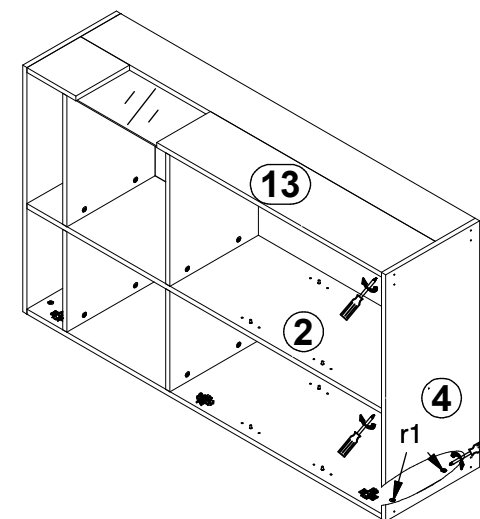
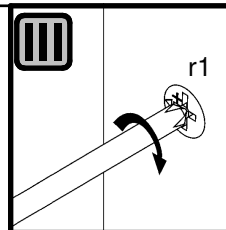
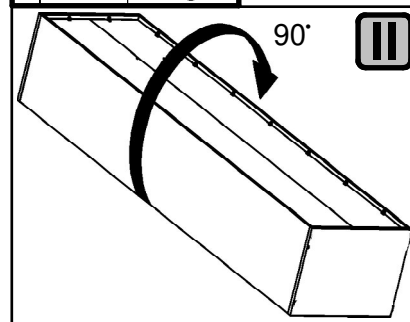
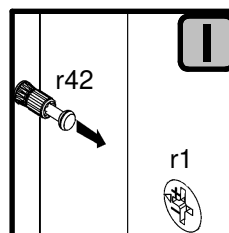
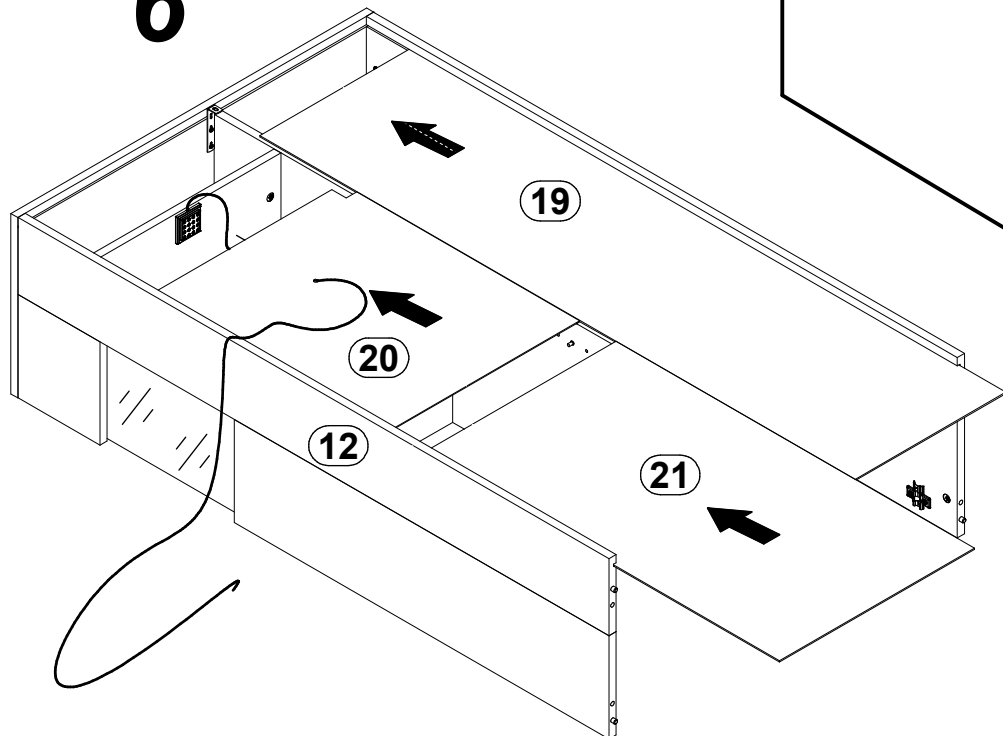


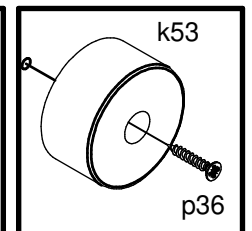
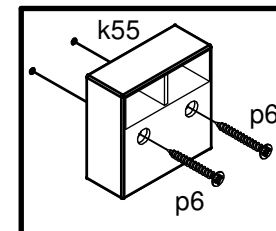
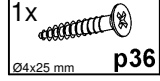
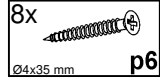
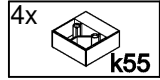
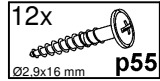
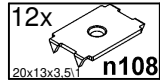
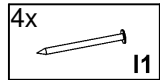
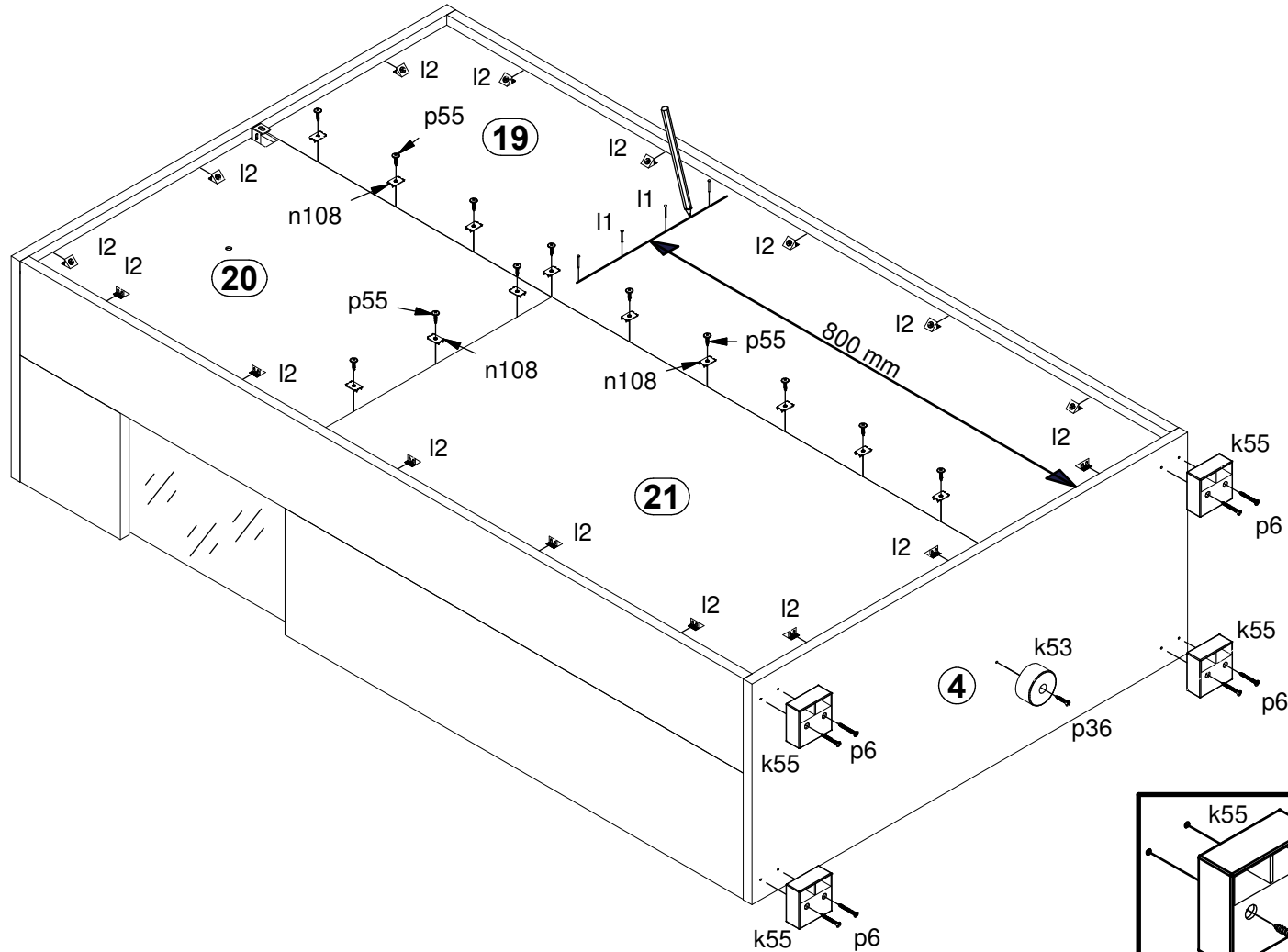
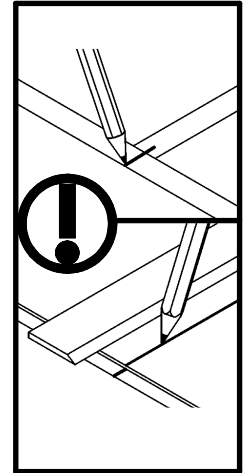
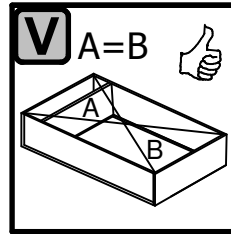
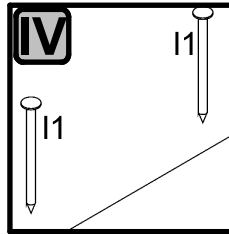
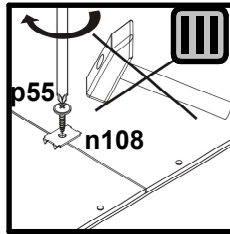
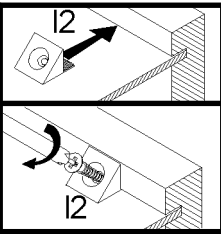
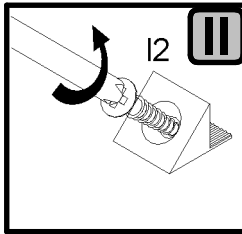
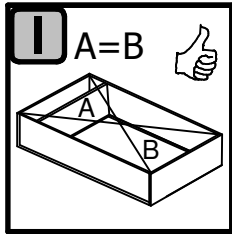


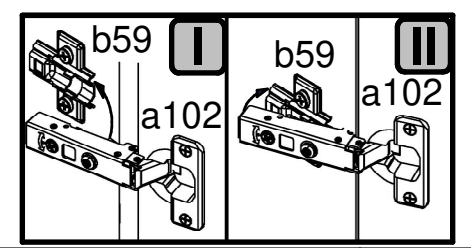
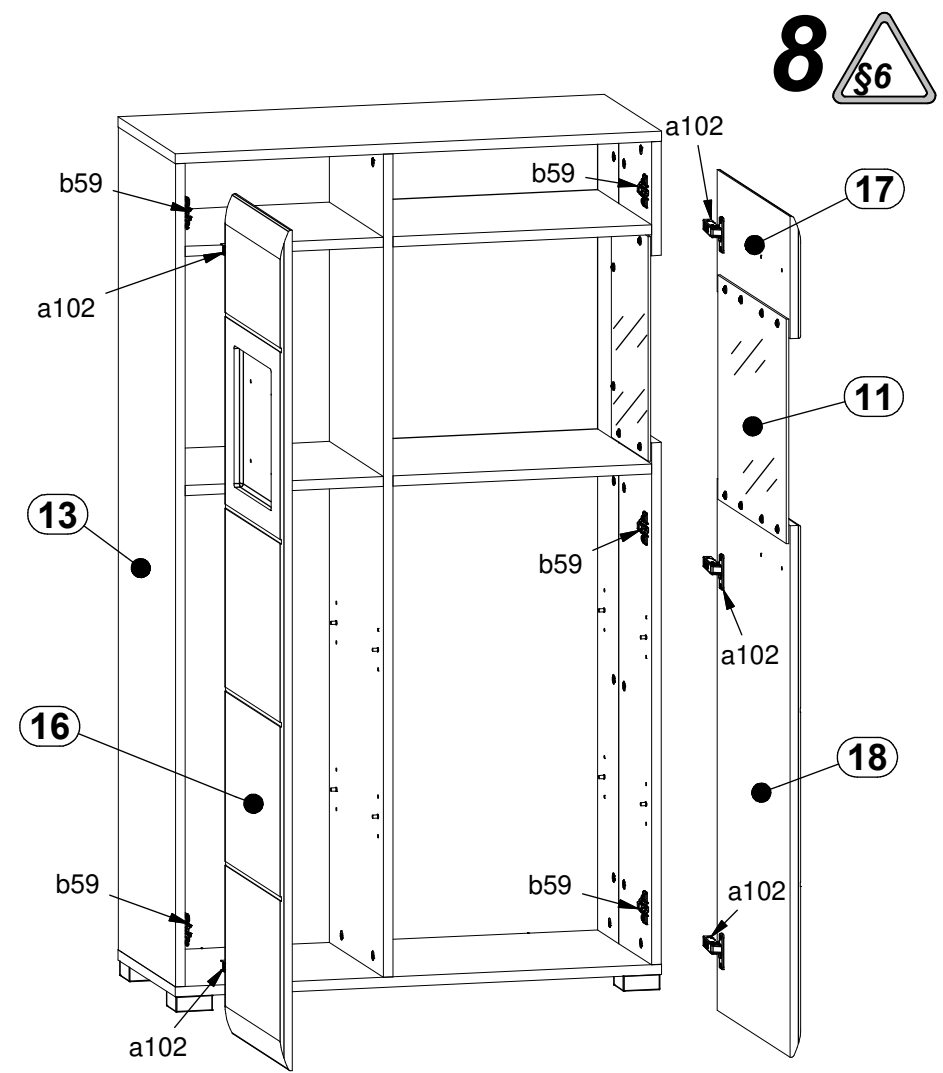
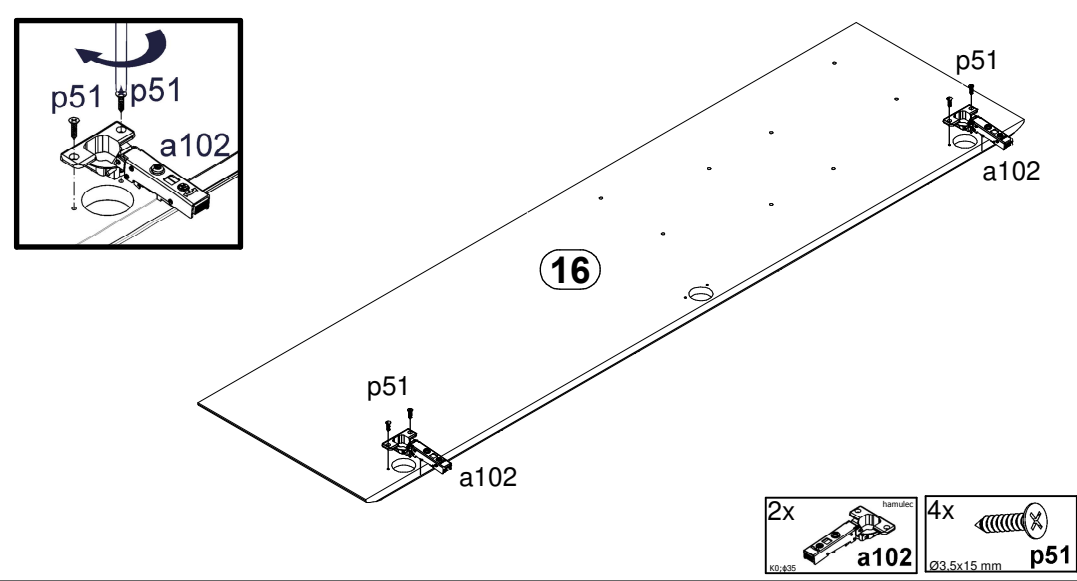
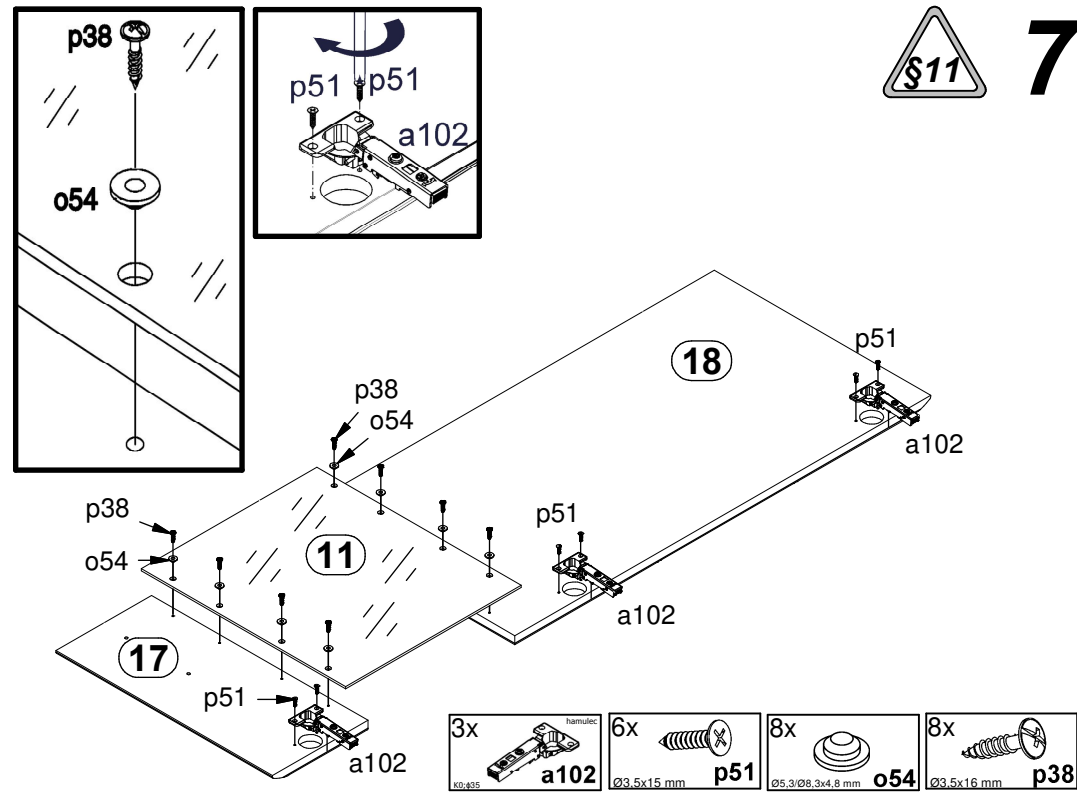
7



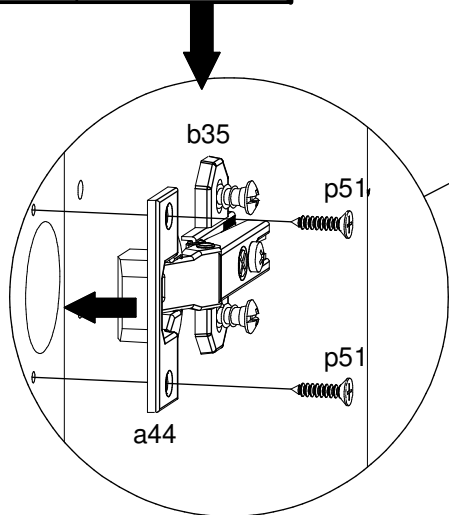
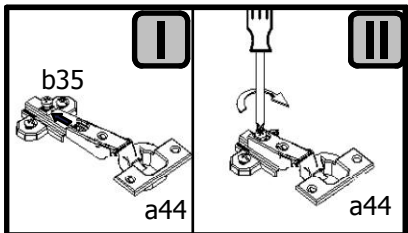
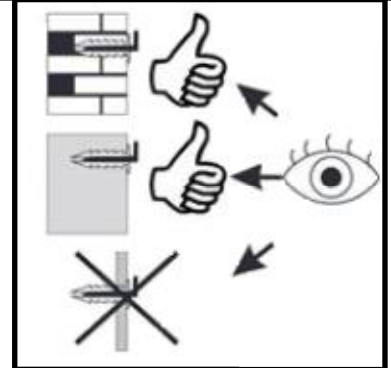
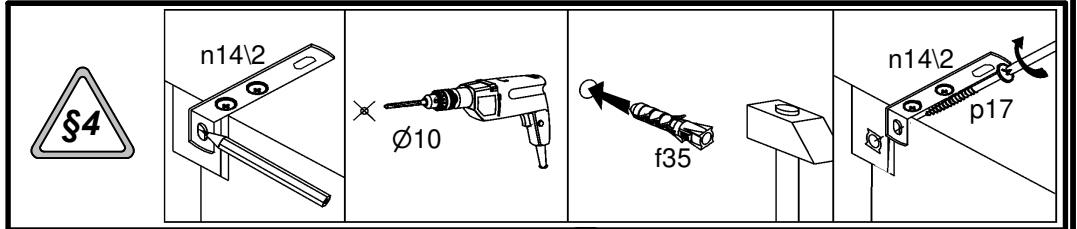
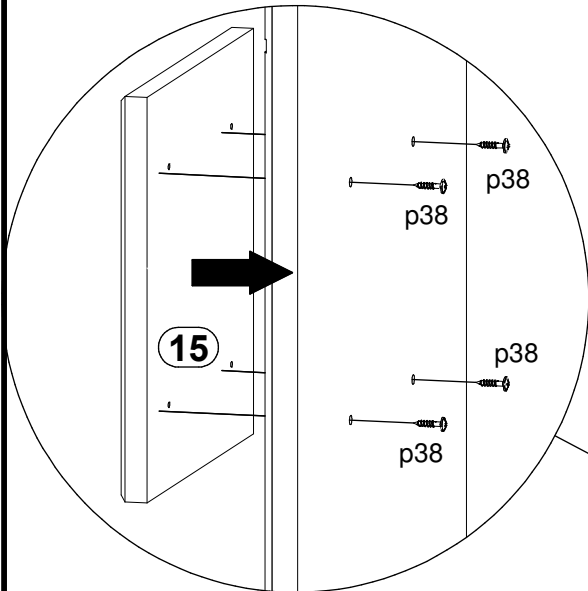
6



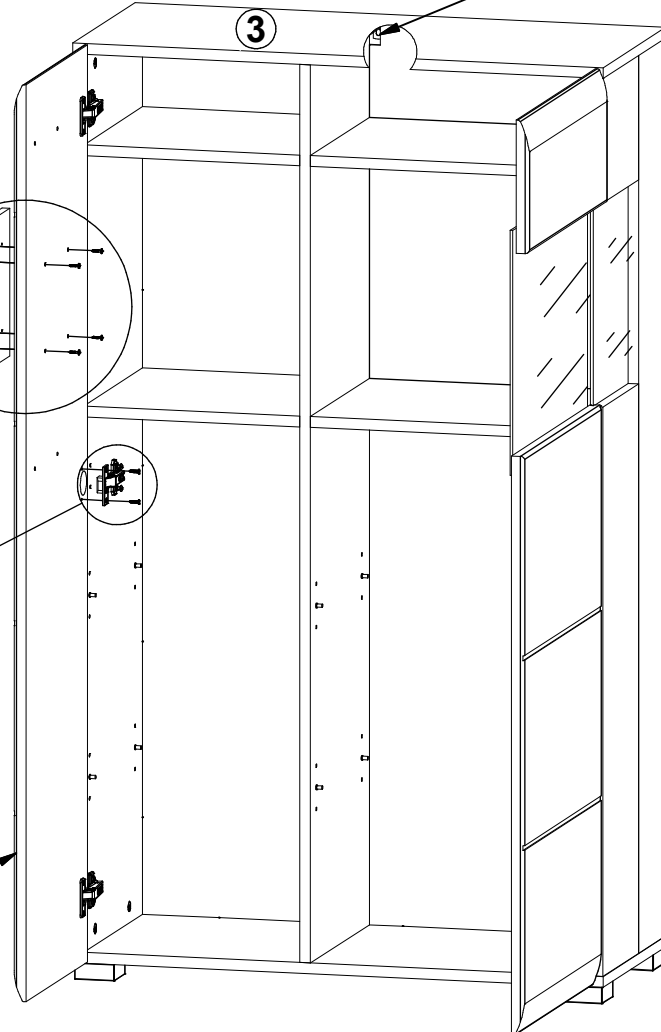




9



16



1x
88x21x15/1.5
n142

2x
Ø3.5x16 mm
p38

1x
Ø10x50 mm
f35

1x
Ø5x60 mm
p17

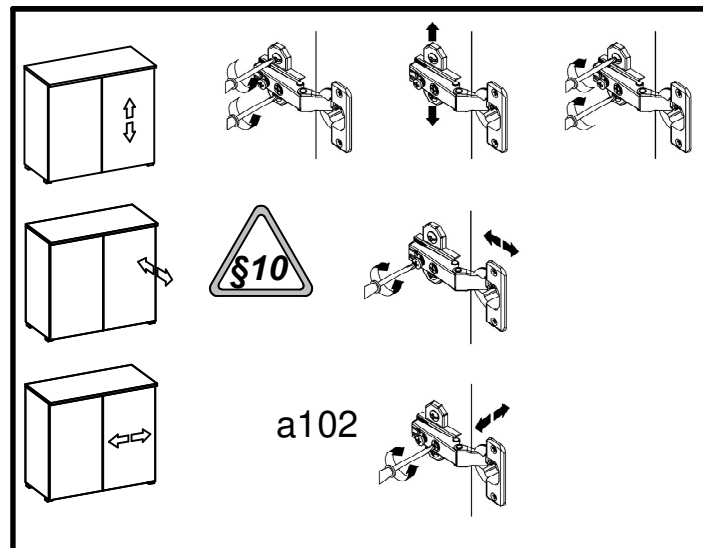
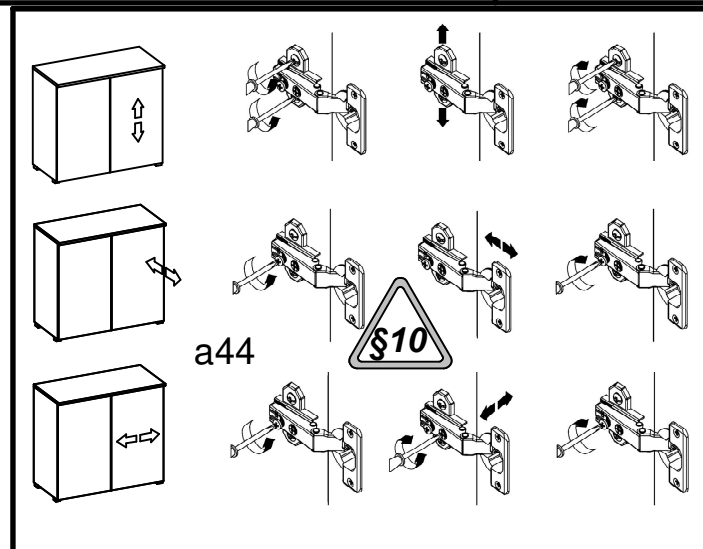
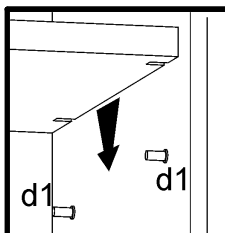
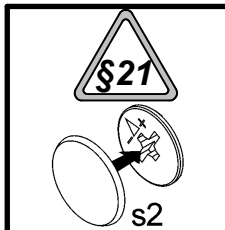
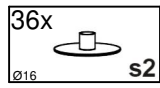
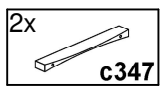
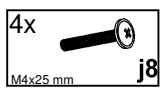
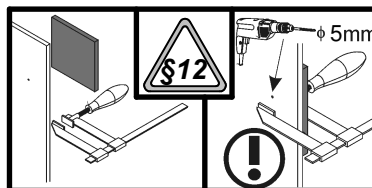
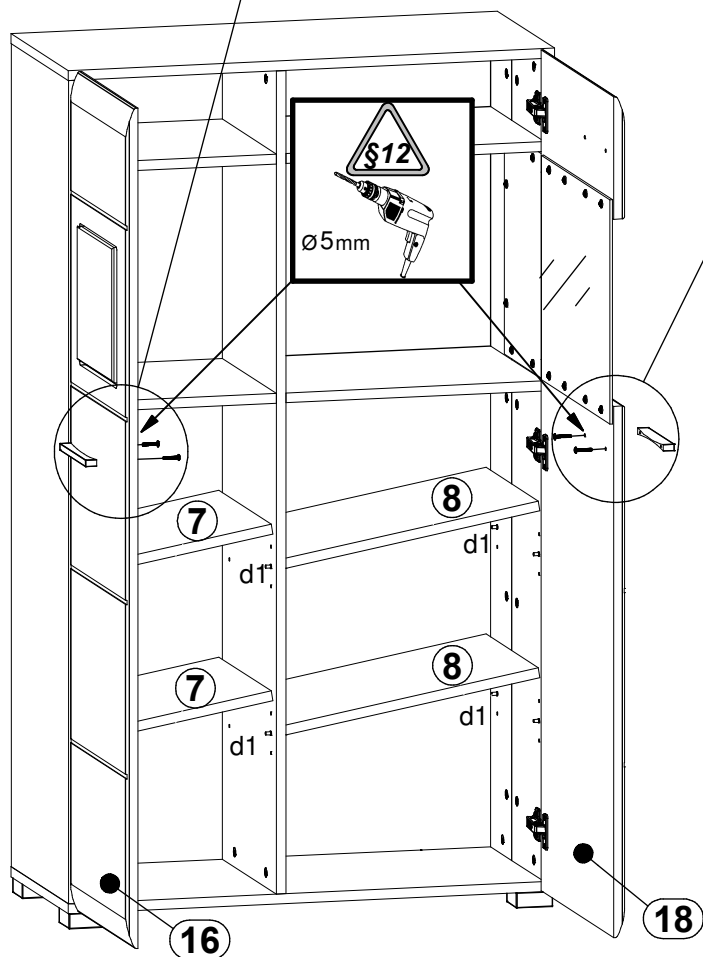
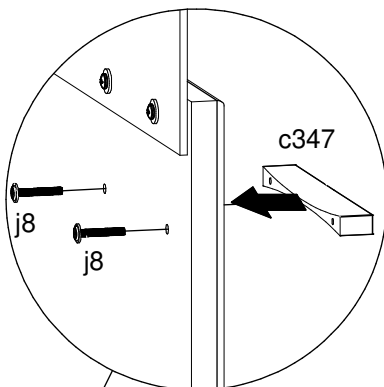
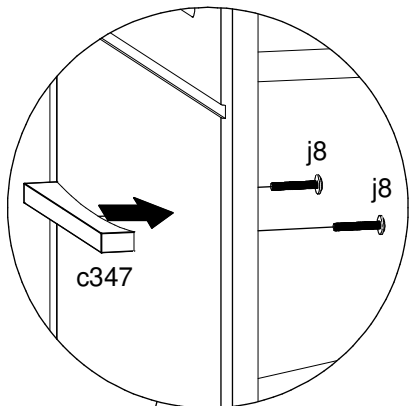
1x
K0
a44

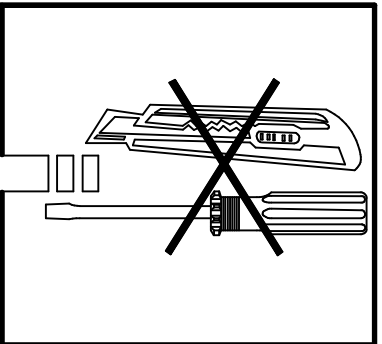
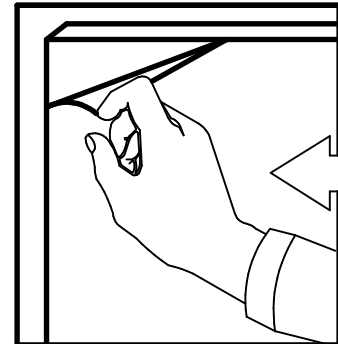
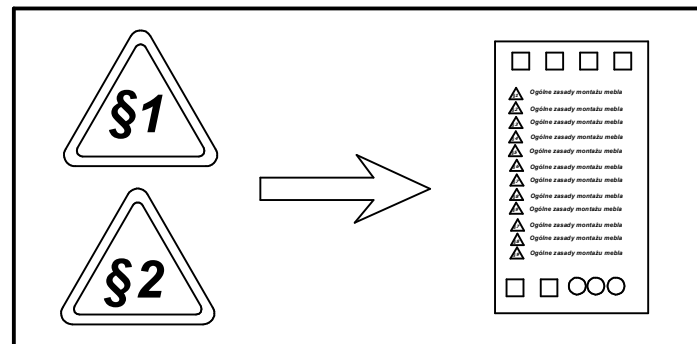
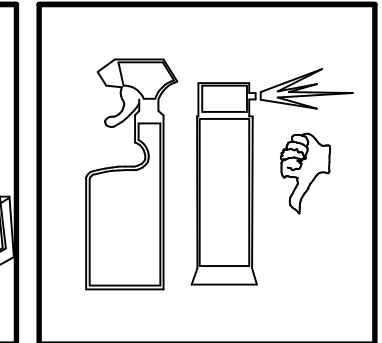
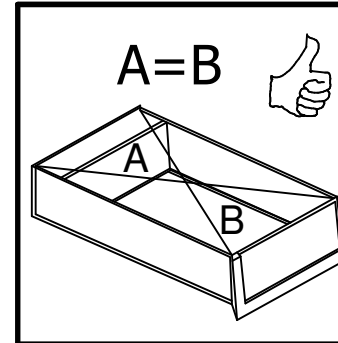
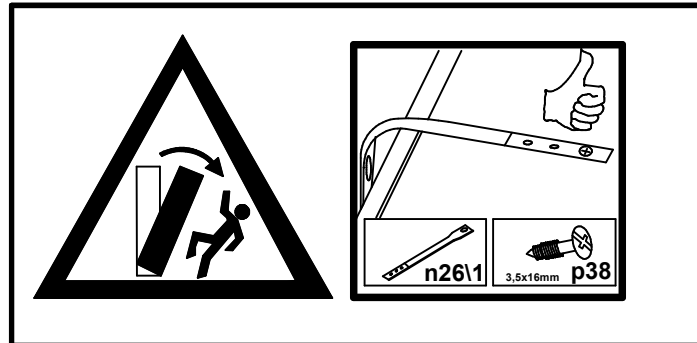
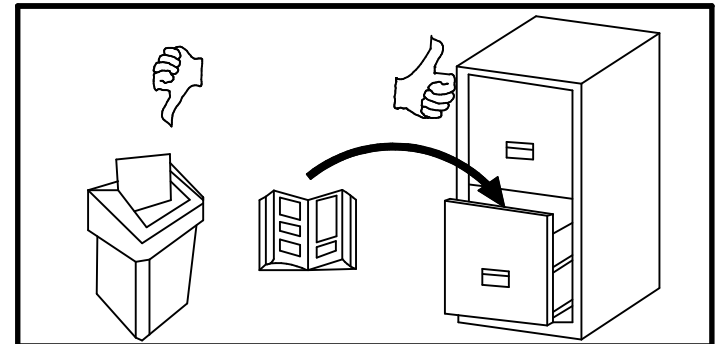
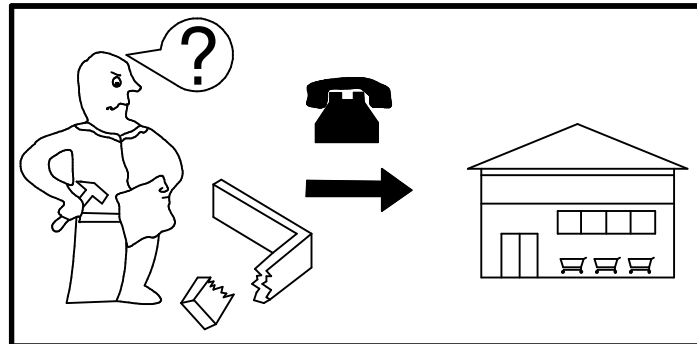
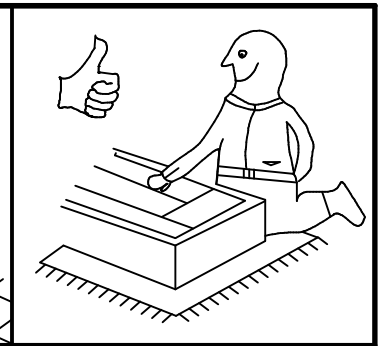
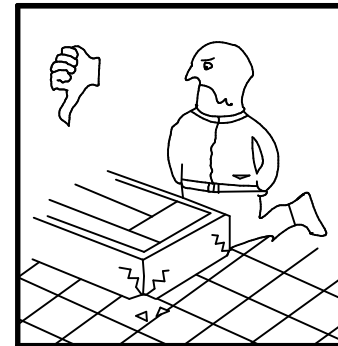
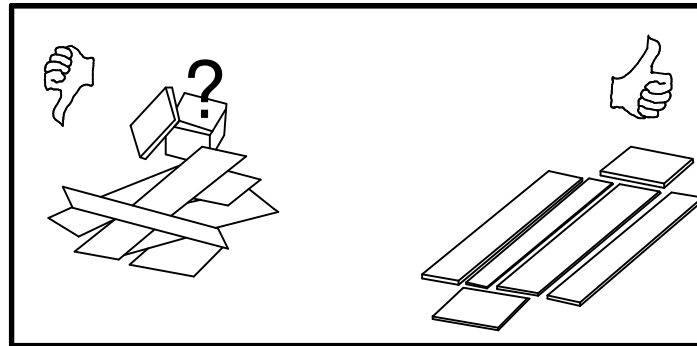
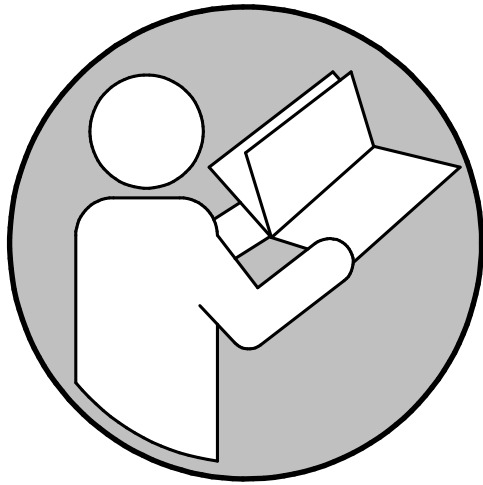
1x
D1
b35

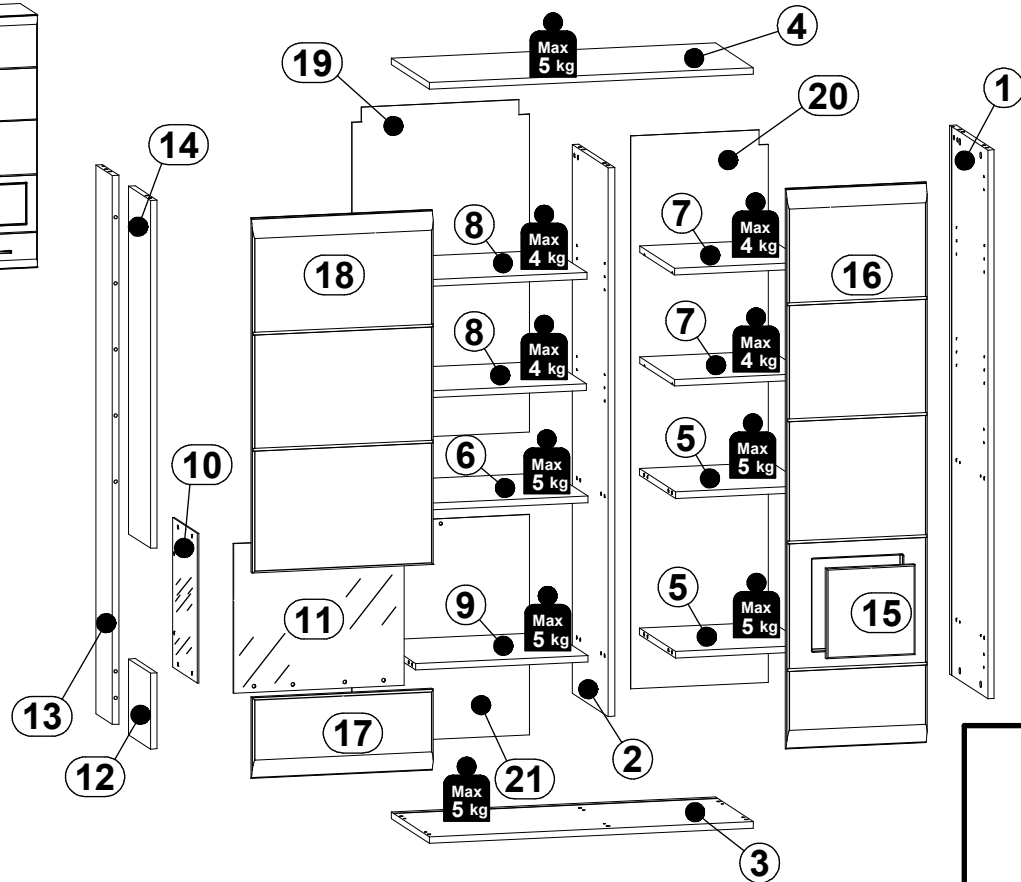
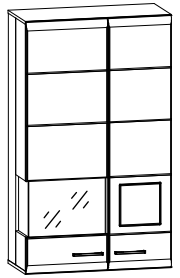
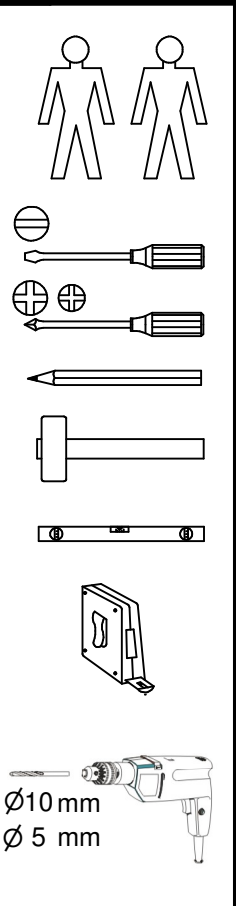
2x
Ø3.5x15 mm
p51

4x
Ø3.5x16 mm
p38

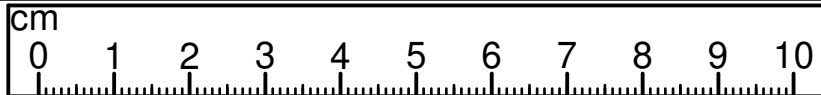
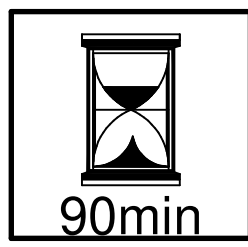
10



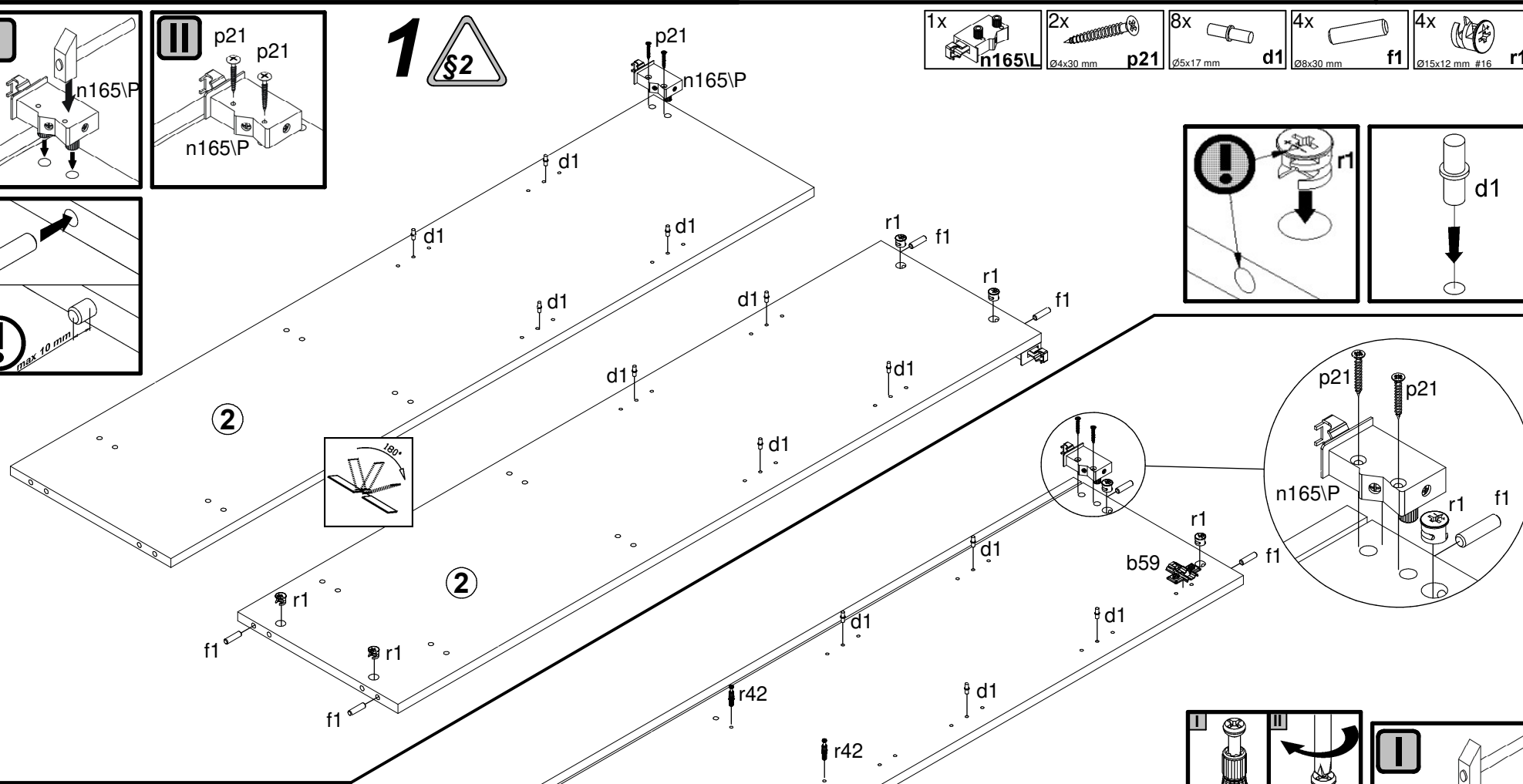
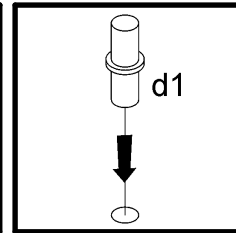
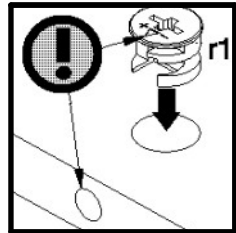
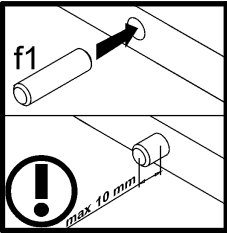
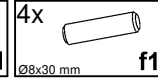
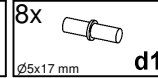
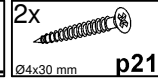
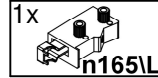
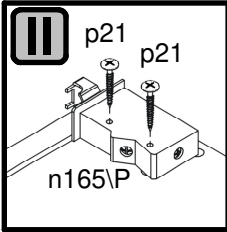
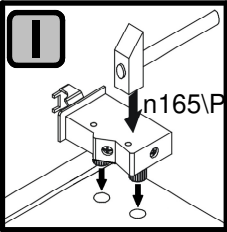




A	B	C (mm)		D
1	S246-1012	1328	351	2/2
2	S246-1013	1328	331	2/2
3	S246-2005	800	351	1/2
4	S246-2011	800	351	1/2
5	S246-3004	326	331	2/2
6	S246-3005	425	331	2/2
7	S246-3006	325	321	2/2
8	S246-3007	424	321	1/2
9	S246-3008	425	331	1/2
10	S246-5501	362	226	1/2
11	S246-5552	362	421	1/2
12	S246-7003	184	201	2/2
13	S246-7015	1328	150	2/2
14	S246-7016	842	201	2/2
15	S246-7301	218	218	2/2
16	S246-7802	1356	346	2/2
17	S246-7803	197	446	1/2
18	S246-7804	857	446	1/2
19	S246-9008	805	438	1/2
20	S246-9010	1338	339	2/2
21	S246-9011	533	438	1/2



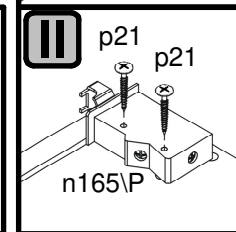
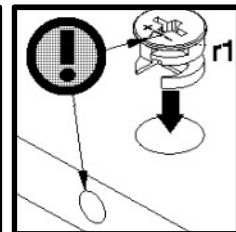
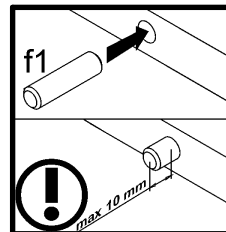
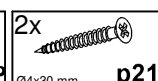
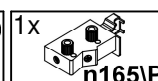
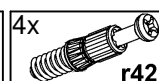
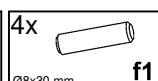
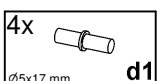
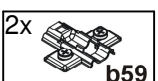
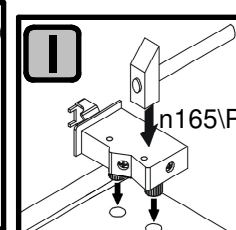
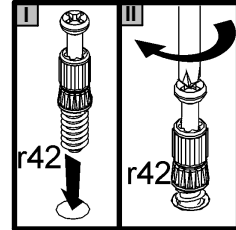
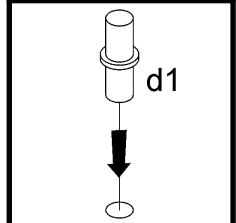
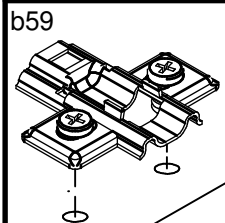
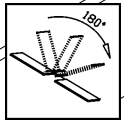
1x a44	5x a102	1x b35	5x b59	2x c347	16x d1 Ø5x17 mm	6x e47 Ø5x16 mm	20x f1 Ø8x30 mm	7x f6 Ø8x50 mm	3x f35 Ø10x50 mm	4x j8 M4x25 mm	4x l1	16x l2
12x n108 20x13x3.5x1	1x n165L	2x n165LP	14x o54 Ø5,3/Ø8,3x4,8 mm	1x o60\3	1x o60\5	6x p21 Ø4x30 mm	12x p38 Ø3,5x16 mm	12x p51 Ø3,5x15 mm	12x p55 Ø2,9x16 mm	3x p127 Ø6x60 mm	36x r1 Ø15x12 mm #16	8x r10
20x r42	36x s2 Ø16											




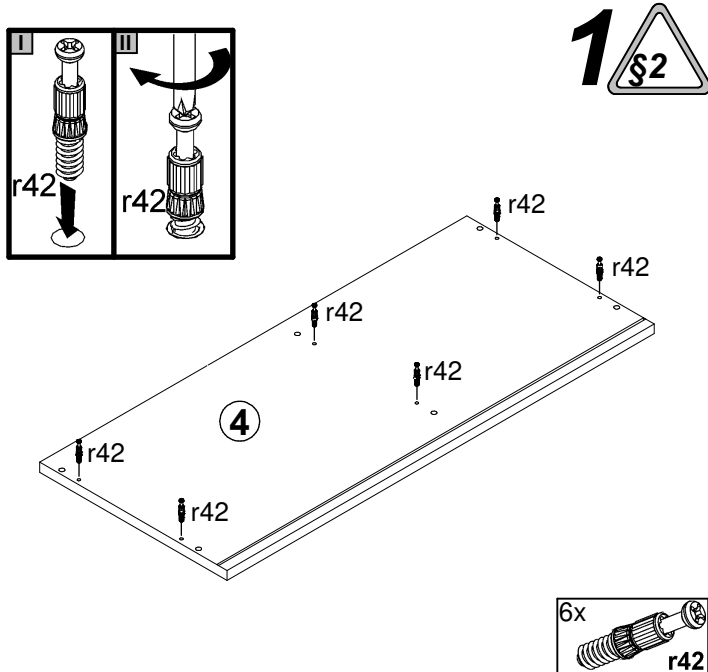
2

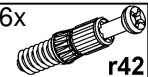
2

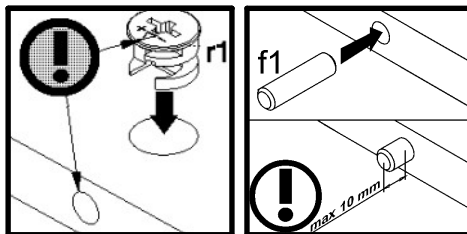
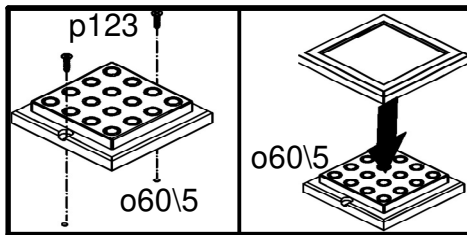
1

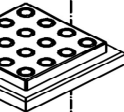


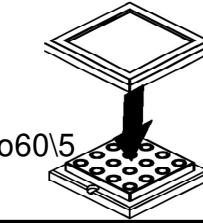
1  §2

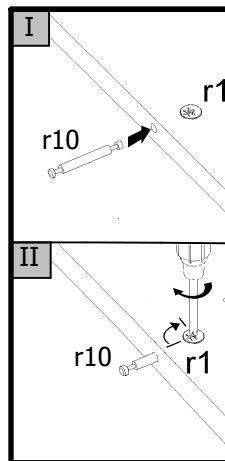



6x  r42

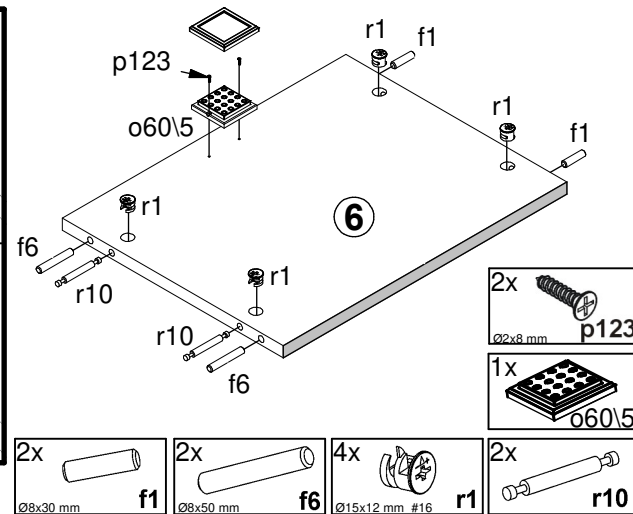




1x  p123

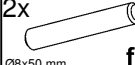
1x  o60/5




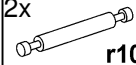
4x  r1

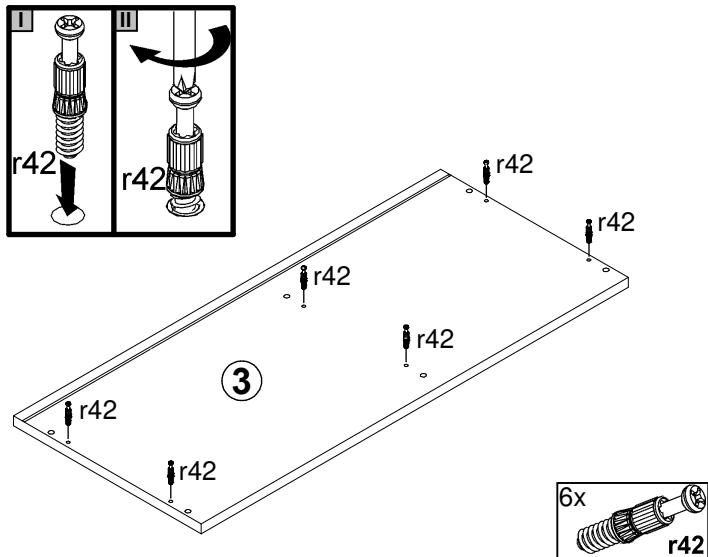


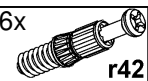
2x  f1

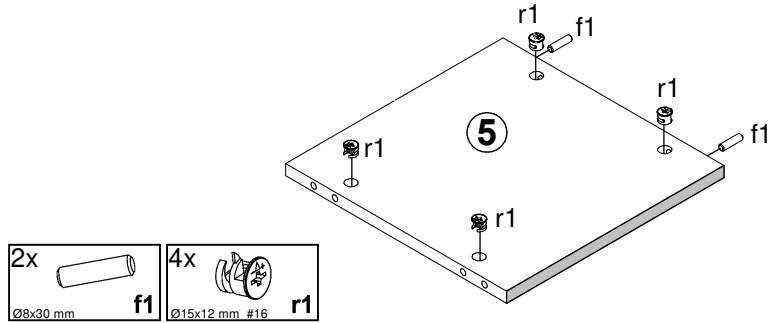
2x  f6

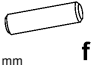
4x  r1


2x  r10

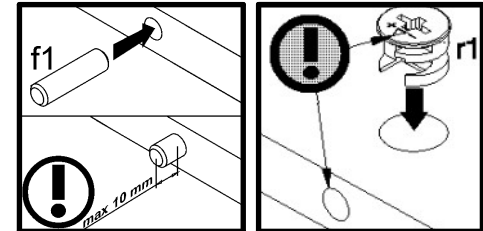
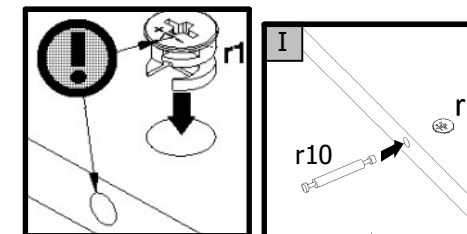
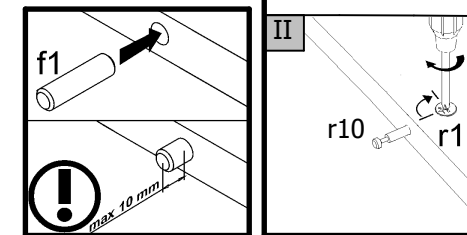



6x  r42




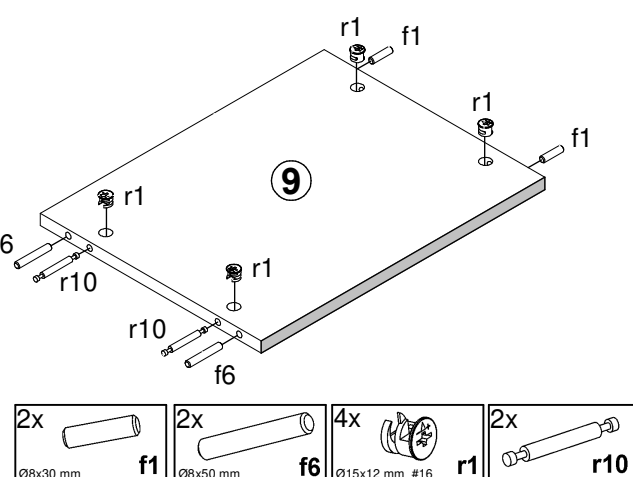
2x  f1

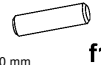
4x  r1

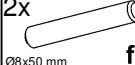





2x  f1

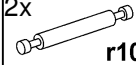
4x  r1

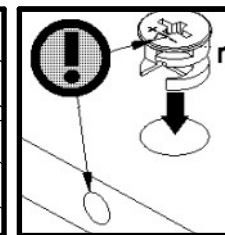
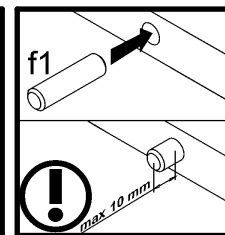
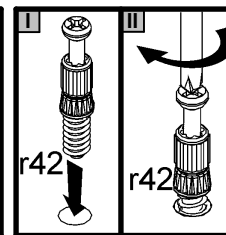
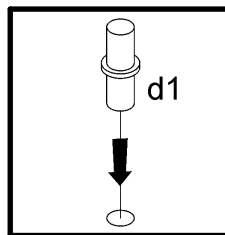
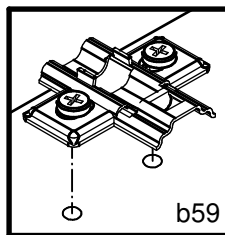
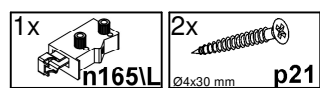
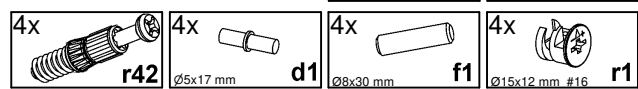
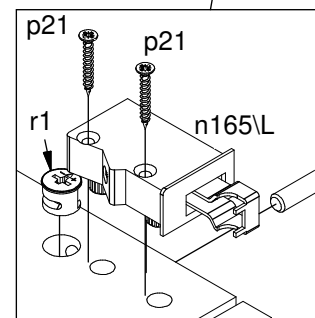
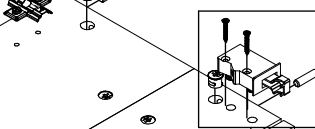
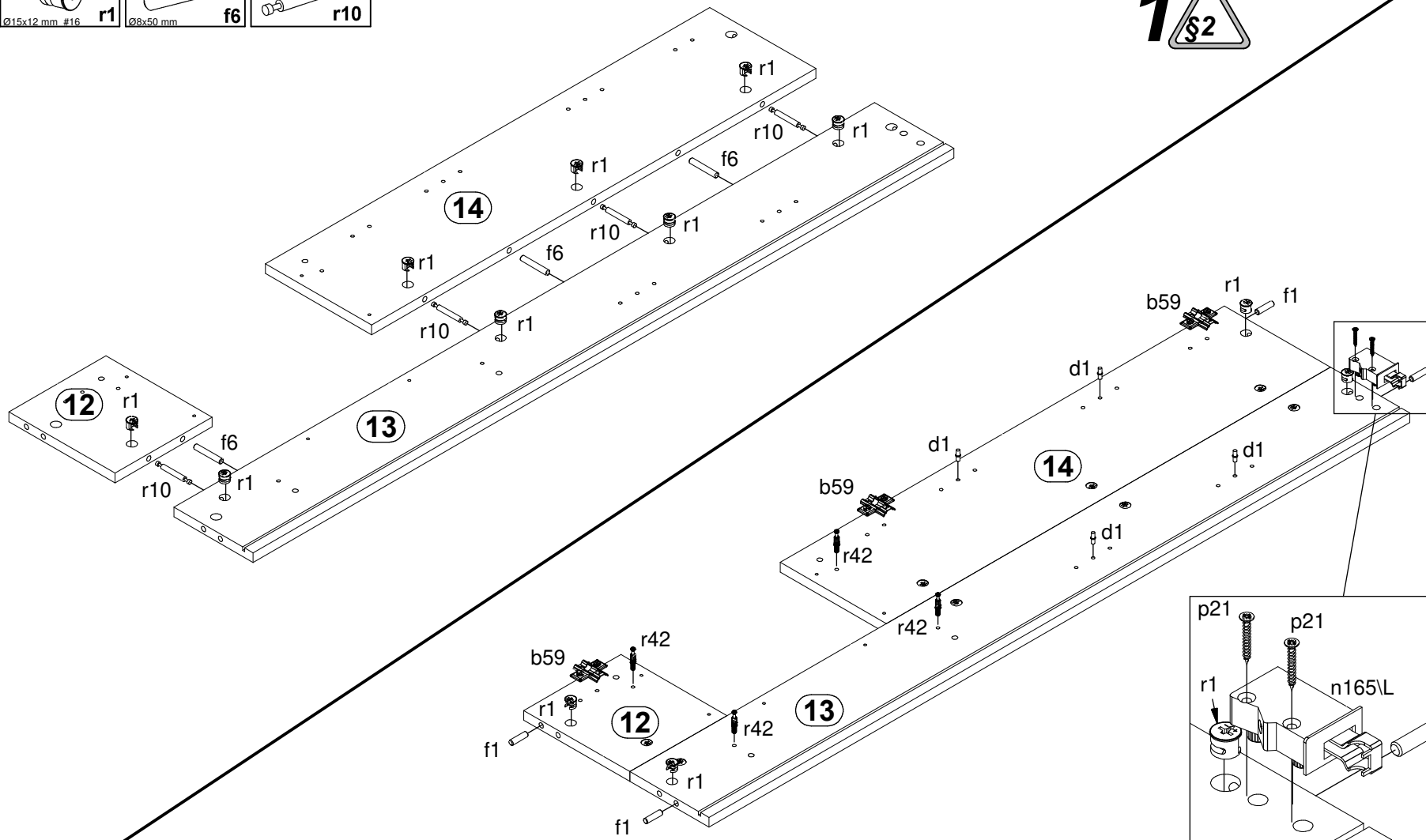
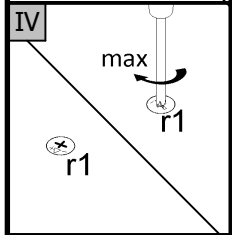
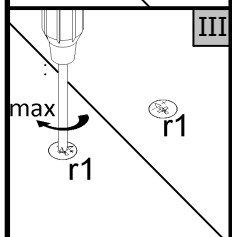
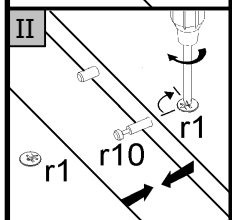
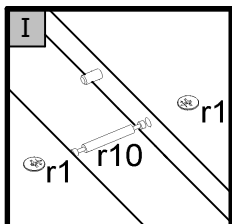
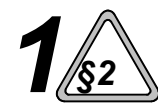
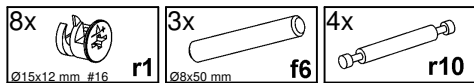
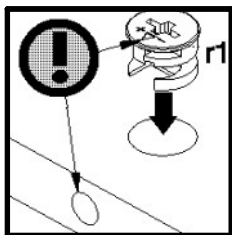


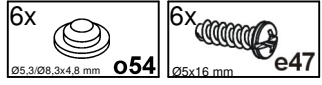
2x  f1

2x  f6

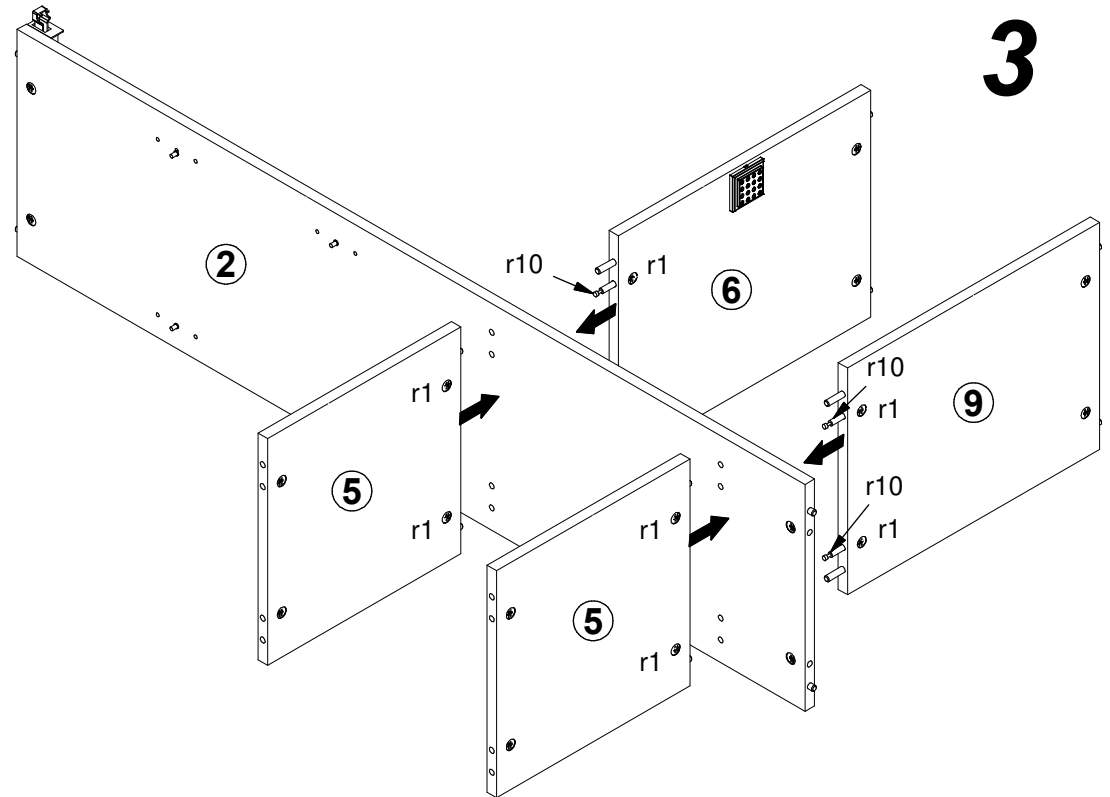
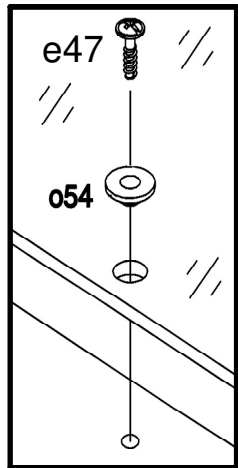
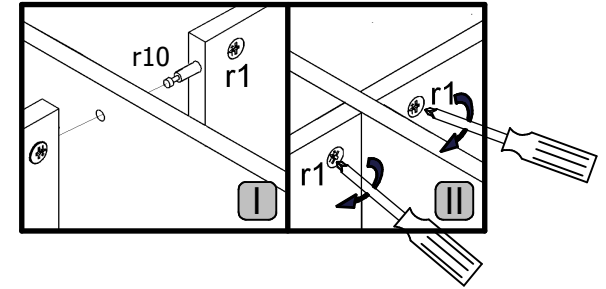
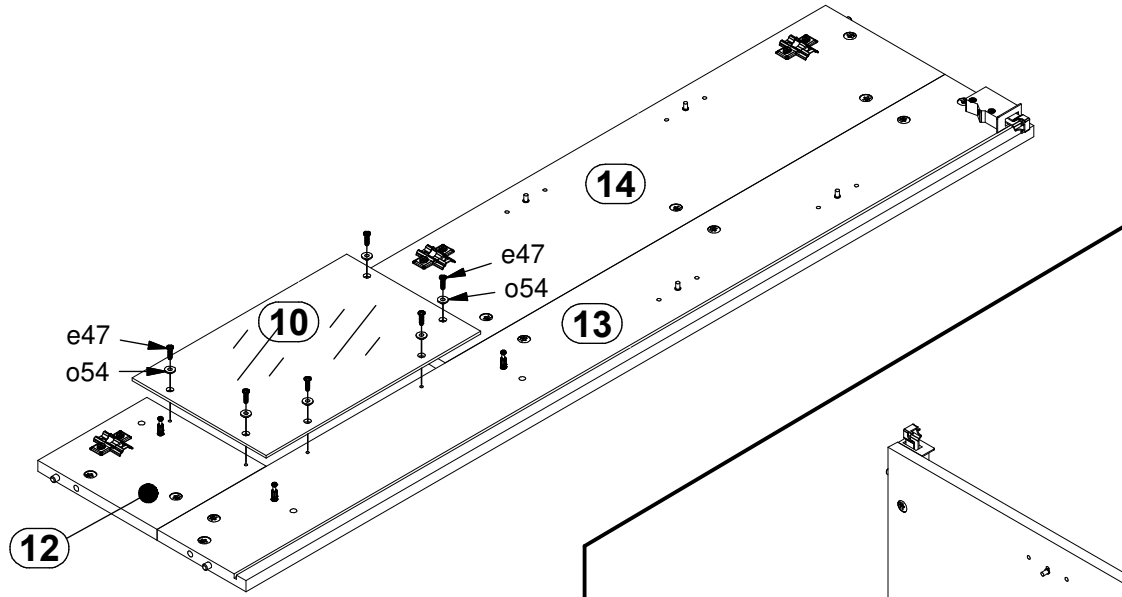
4x  r1

2x  r10

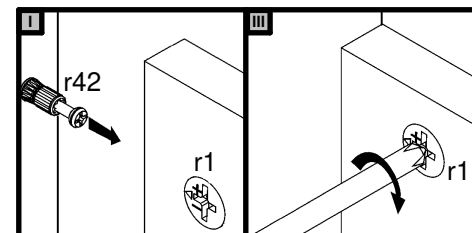
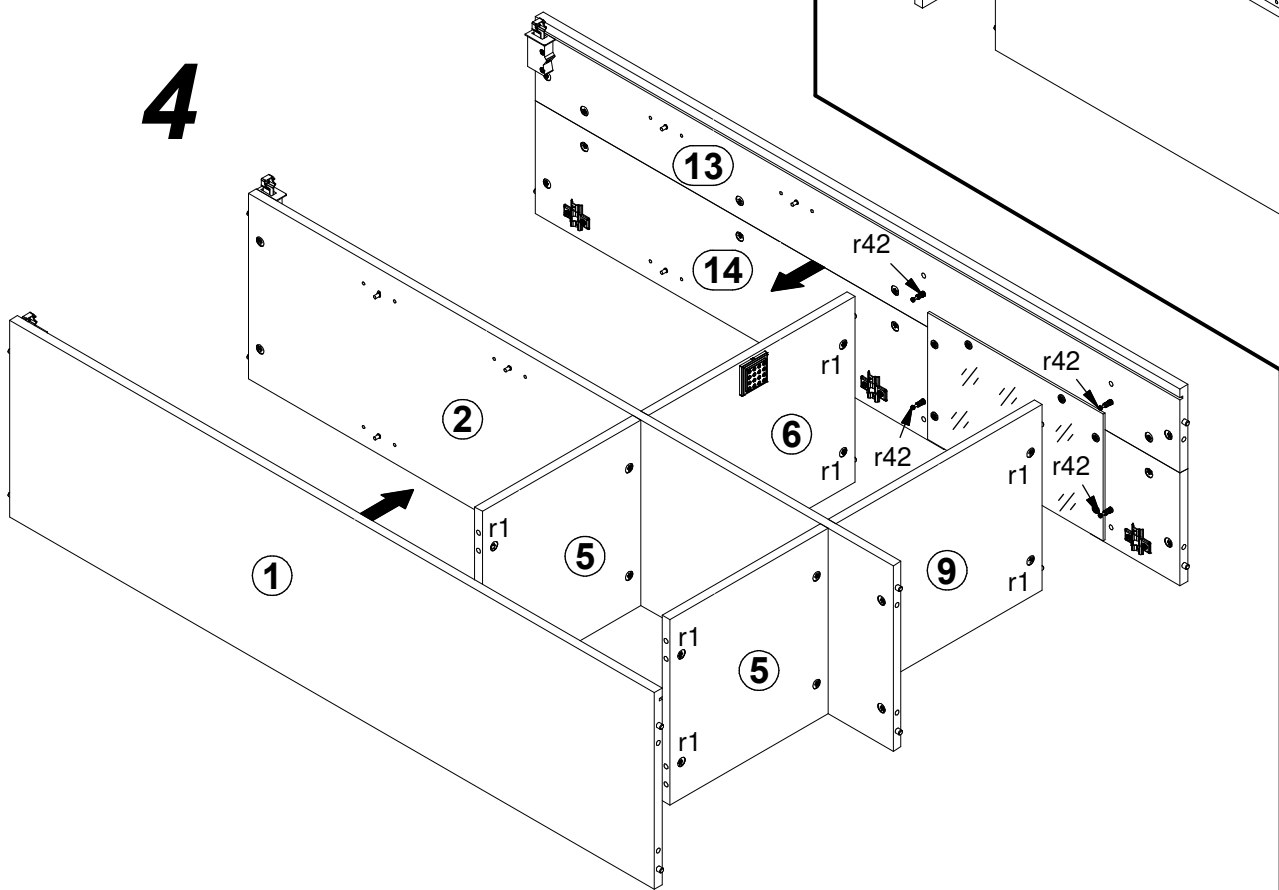
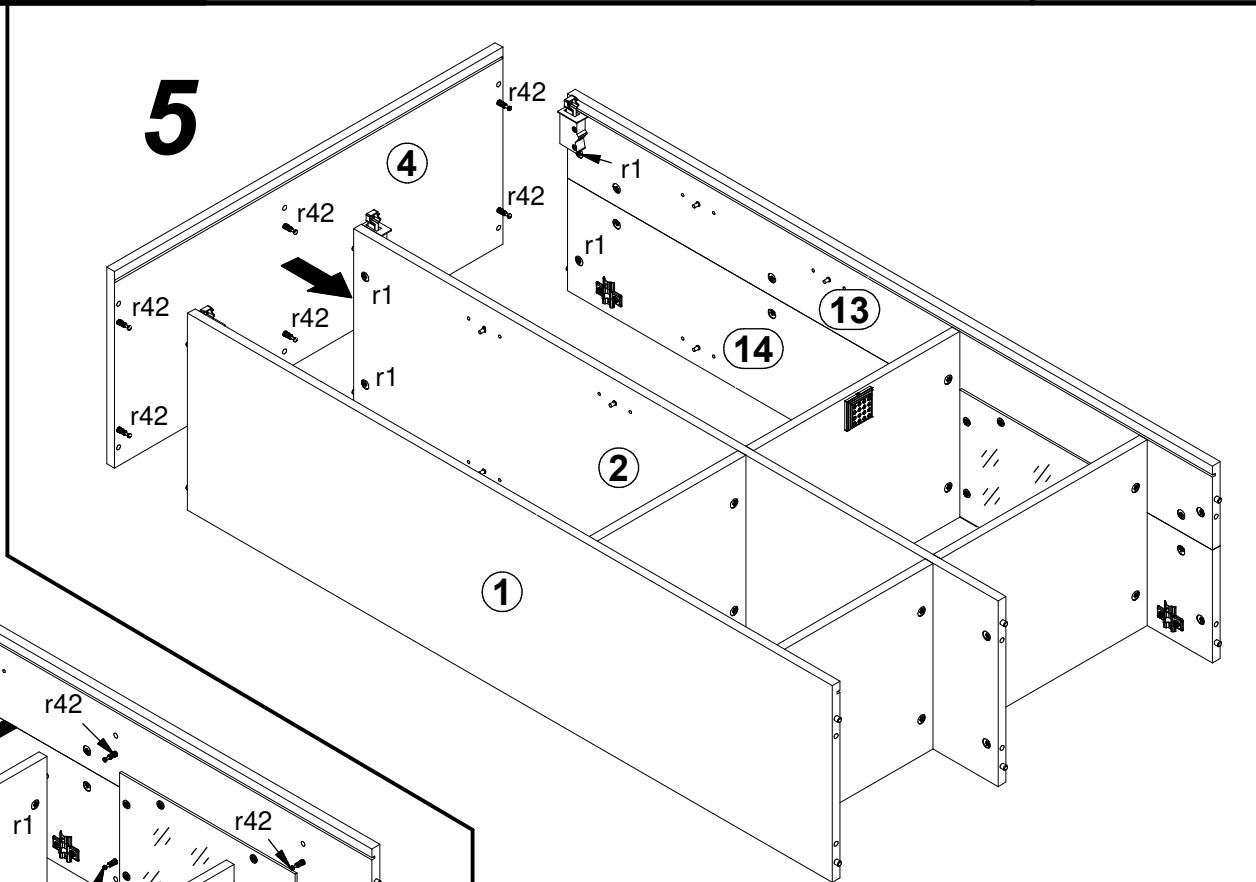
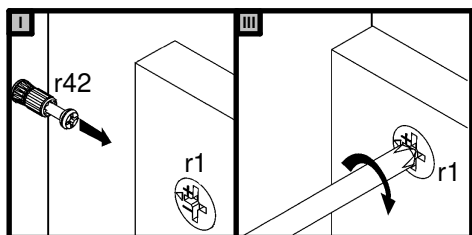




2

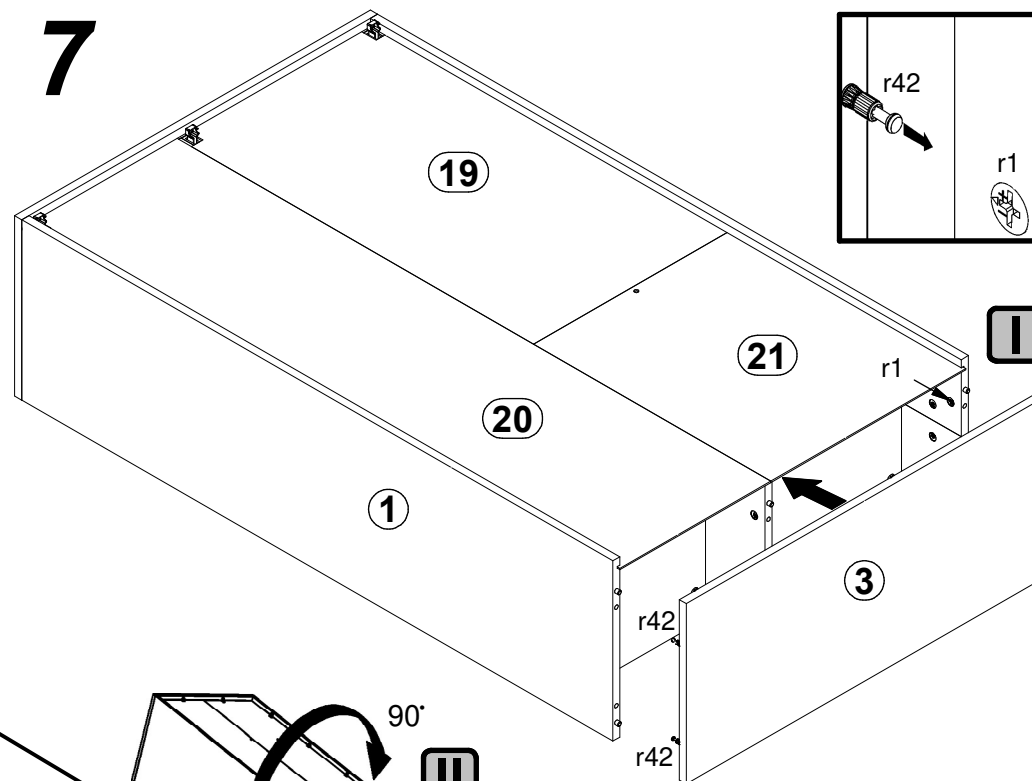
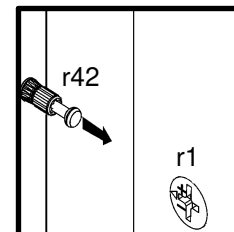


3

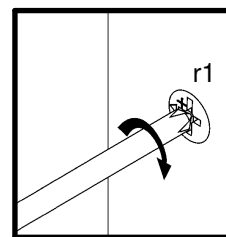
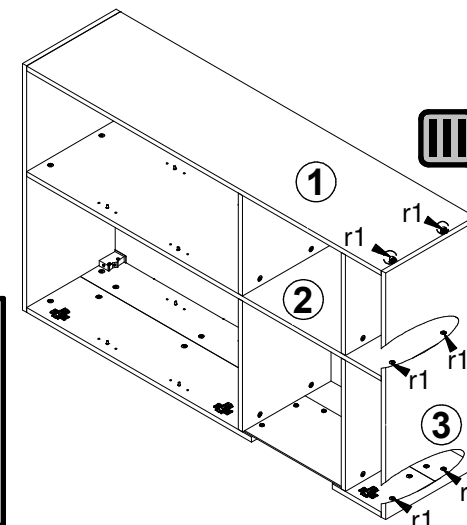
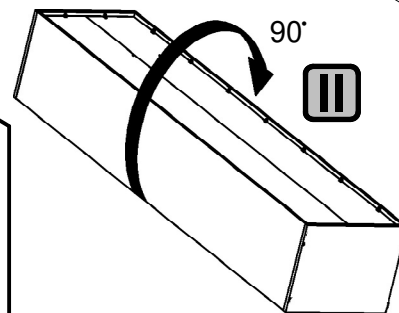
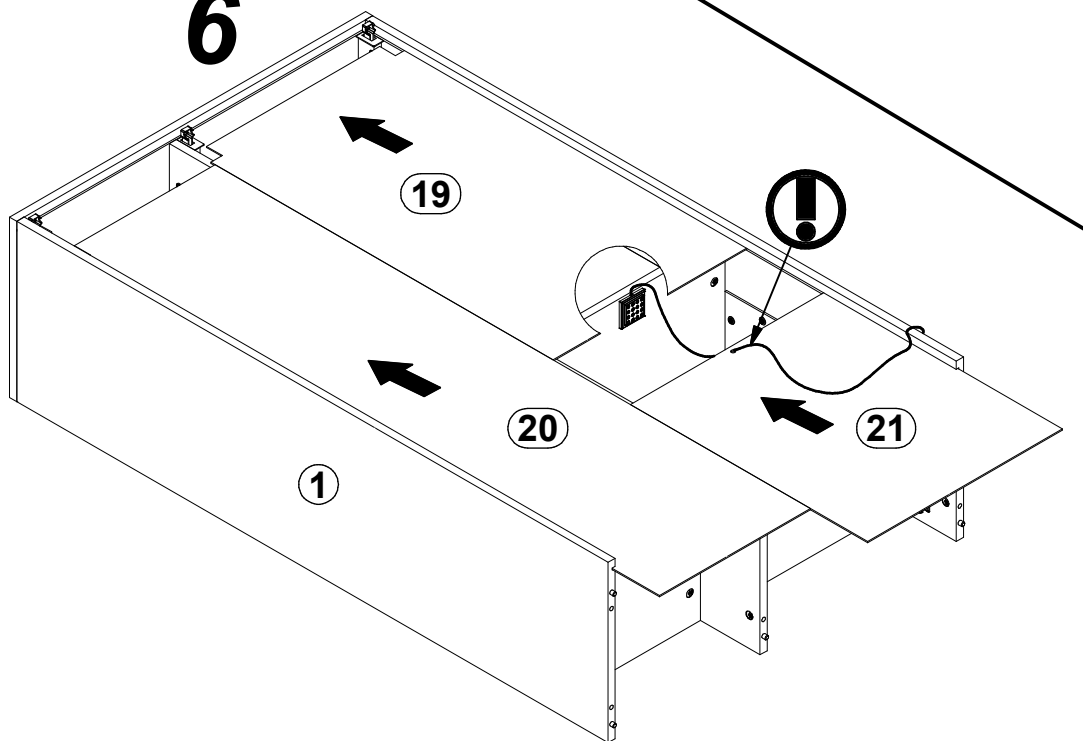


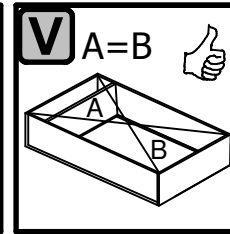
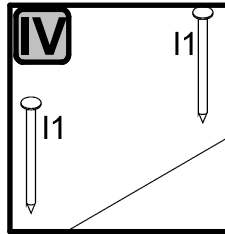
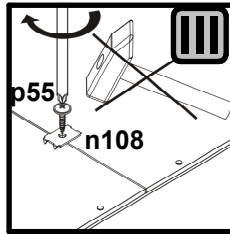
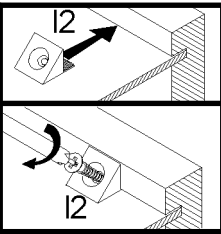
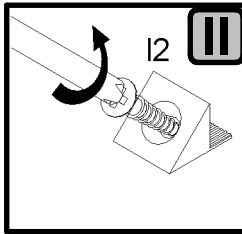
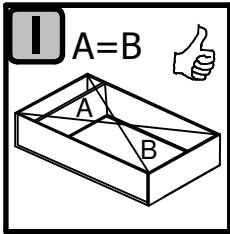


7

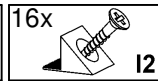
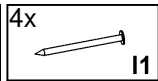
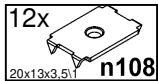
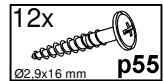
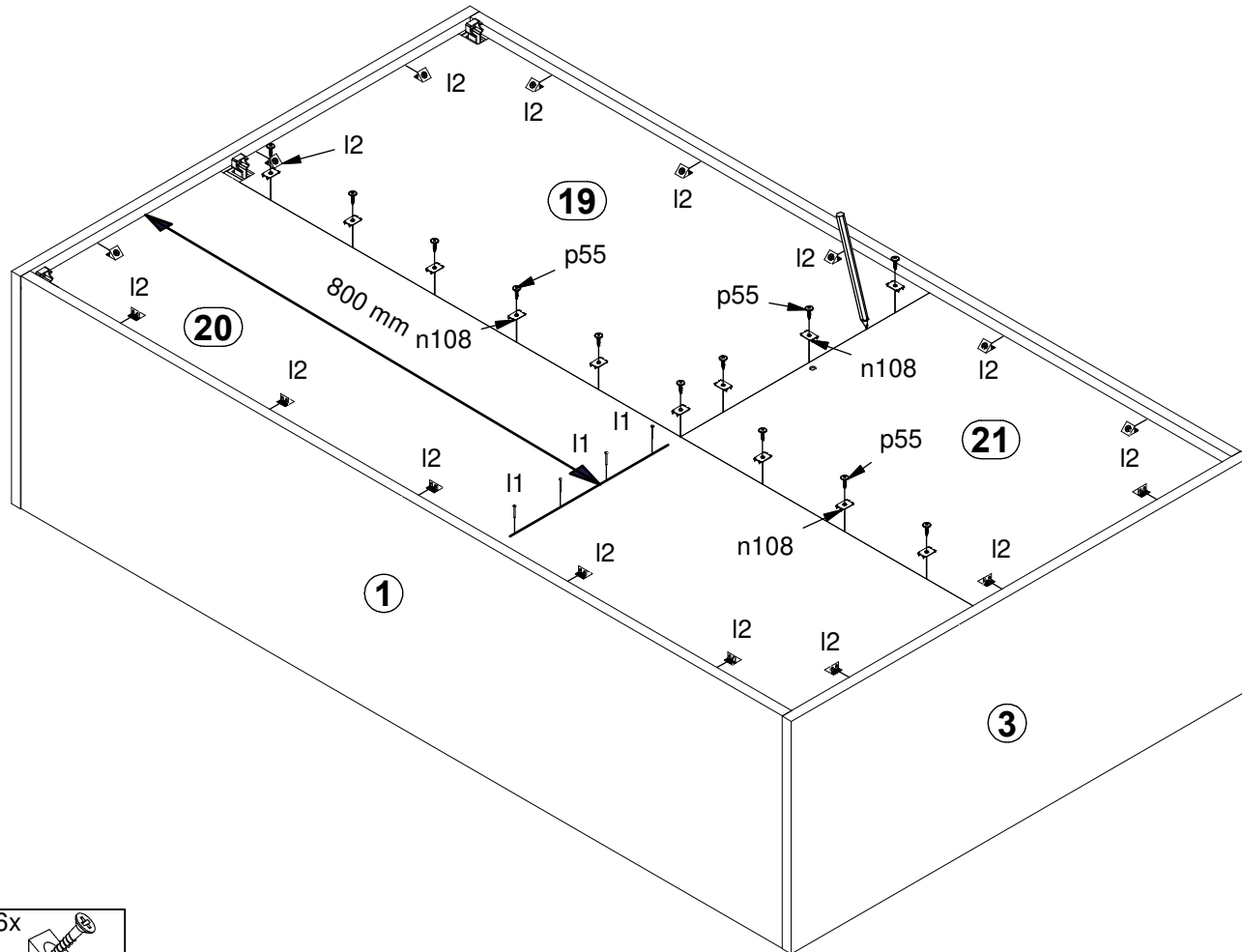
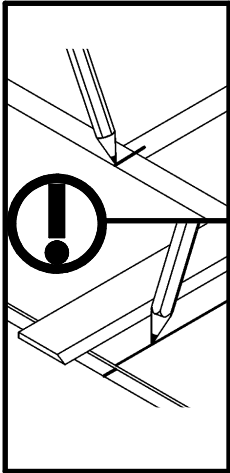
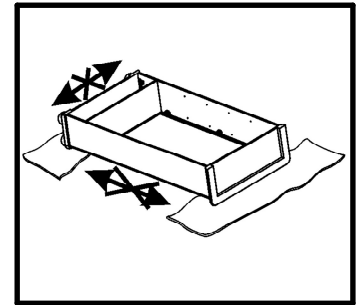


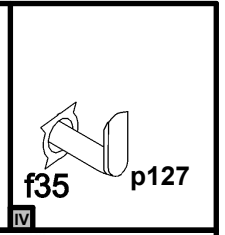
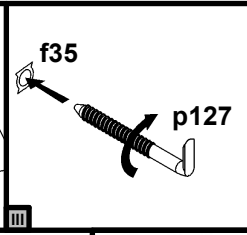
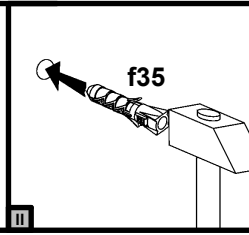
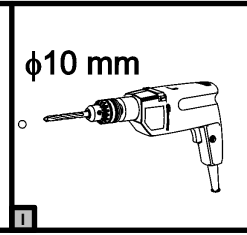
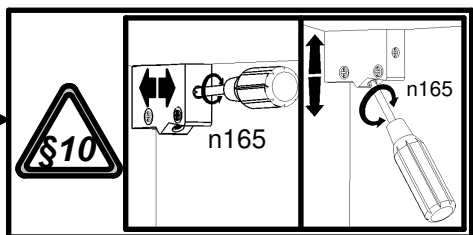
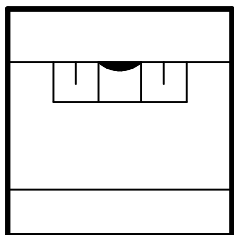
6



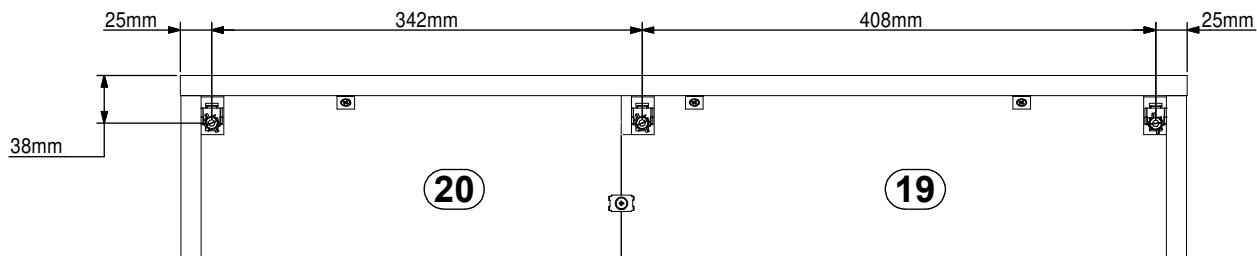
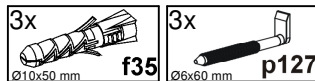
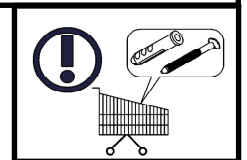
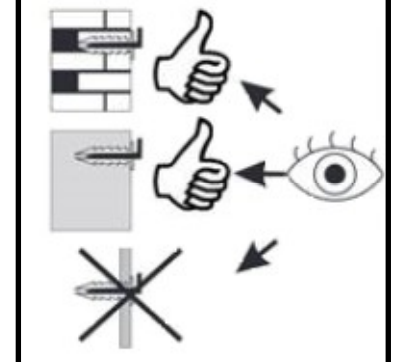
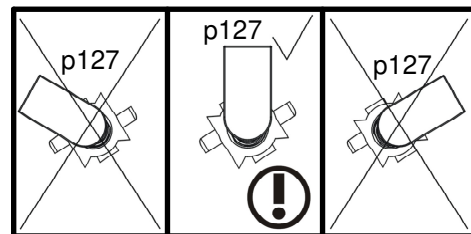
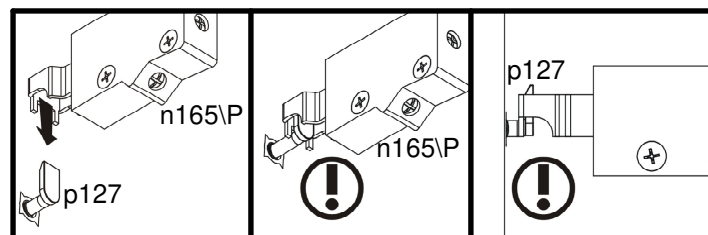
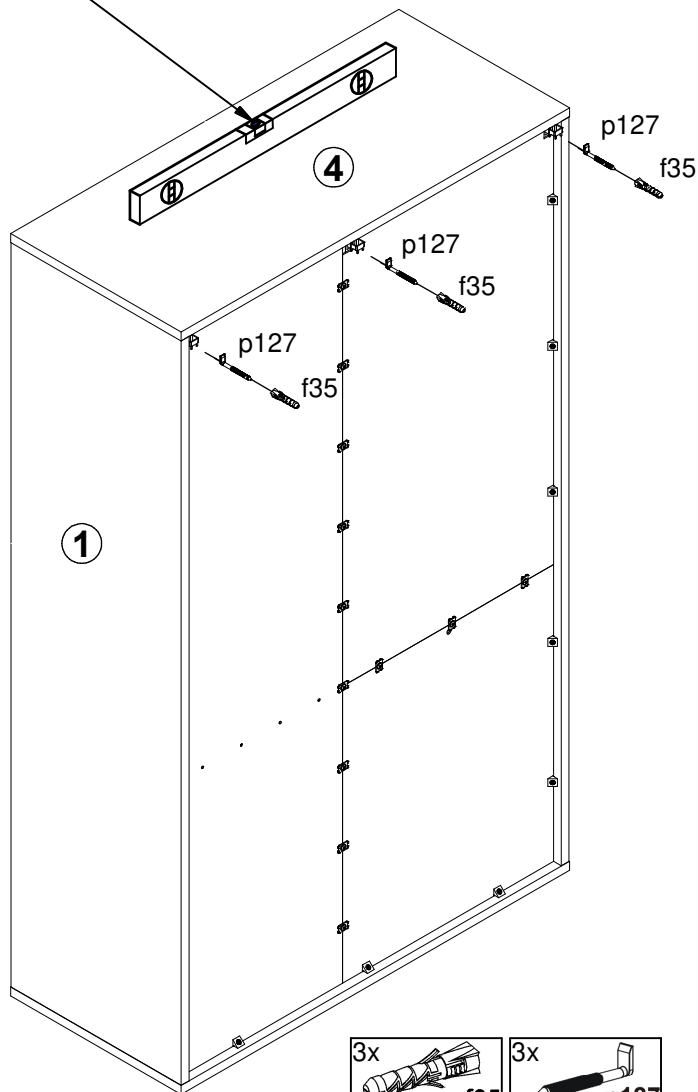


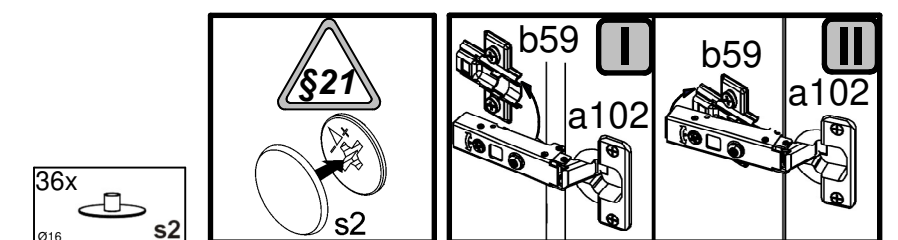
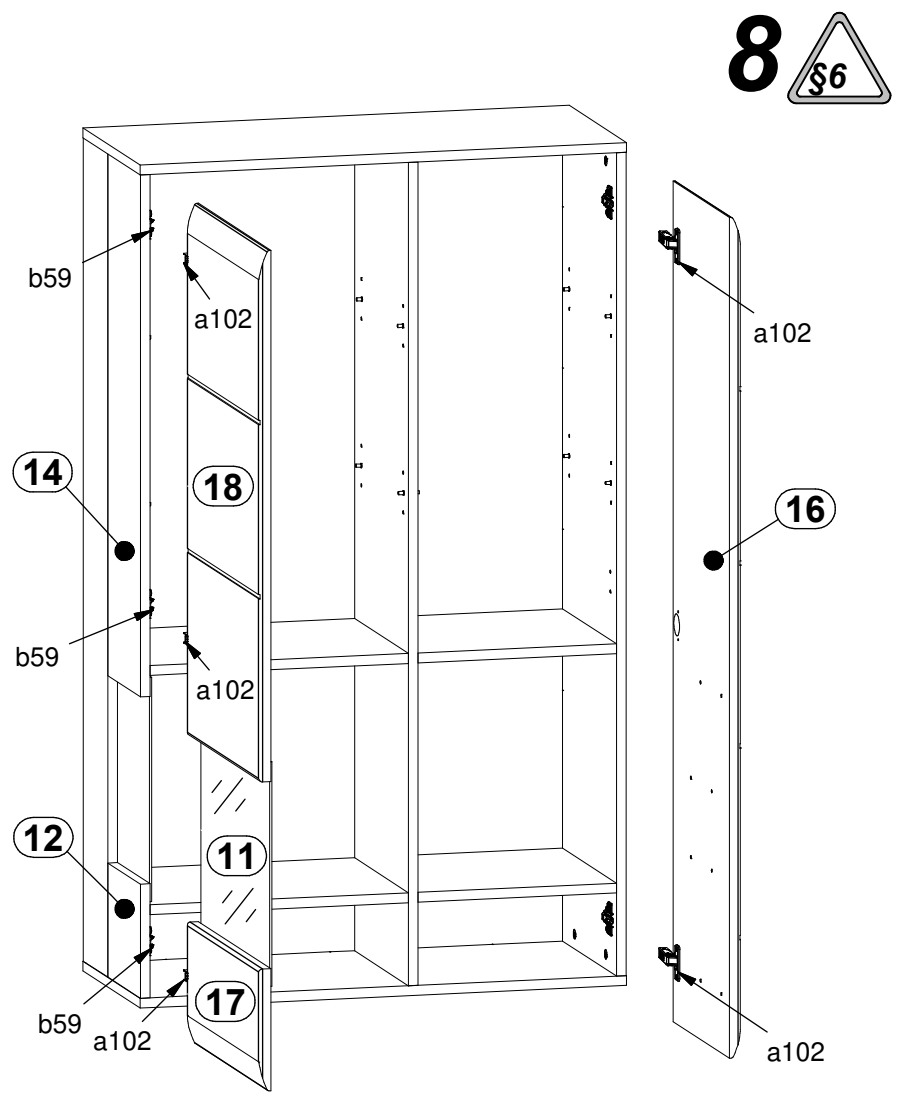
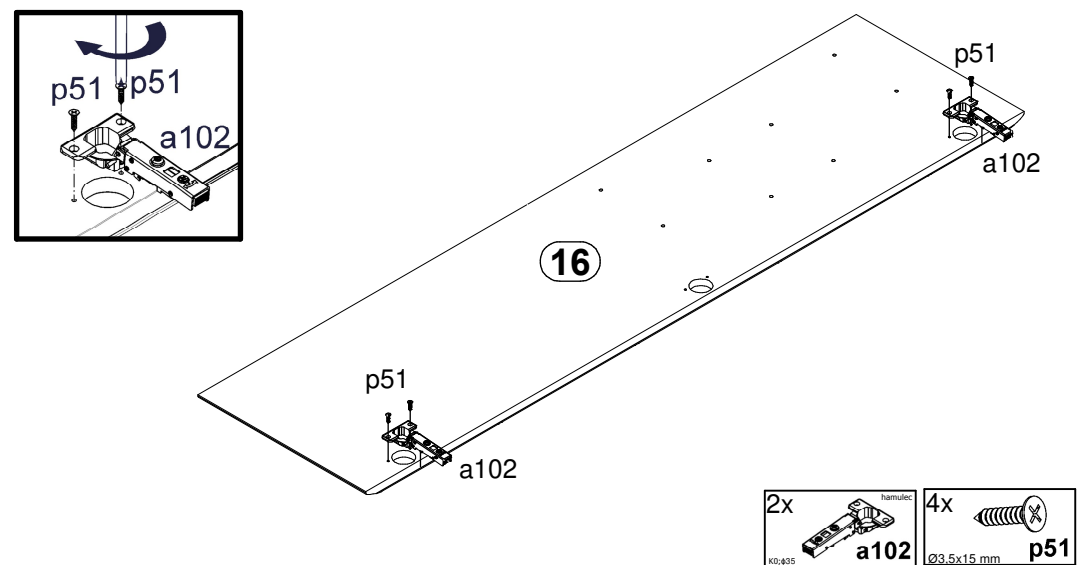
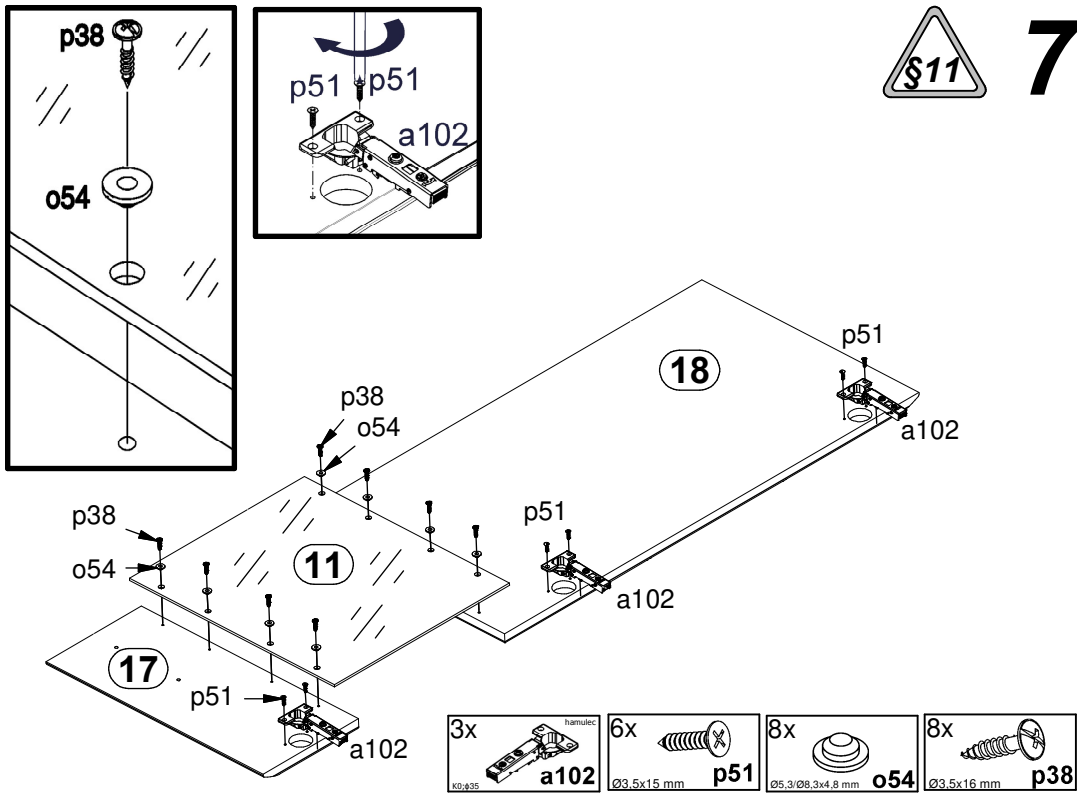
8 

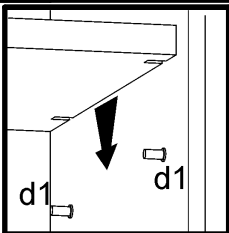




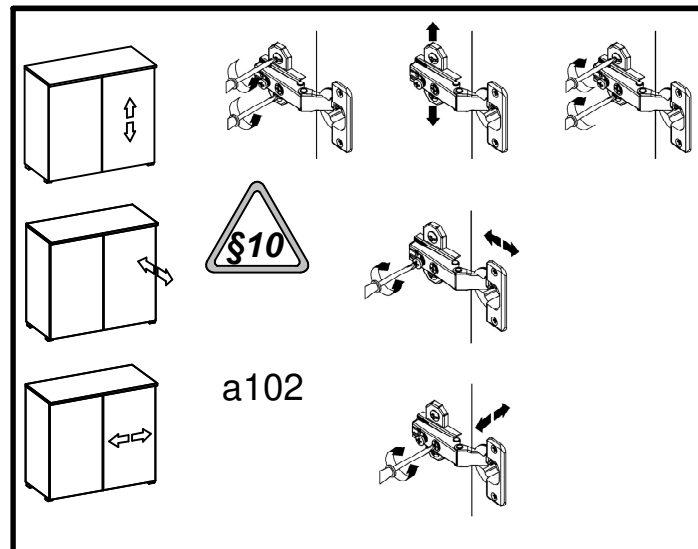
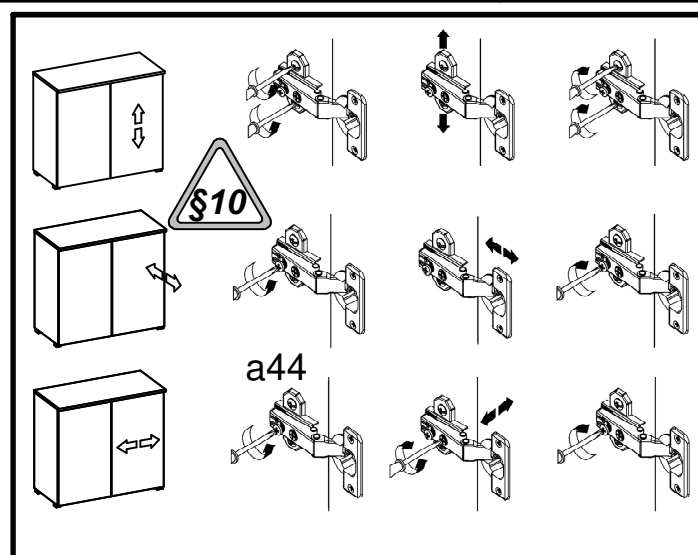
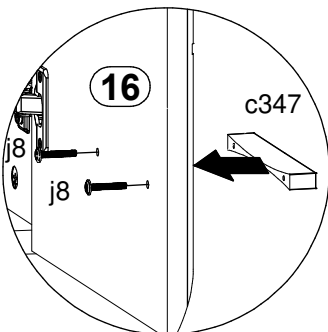
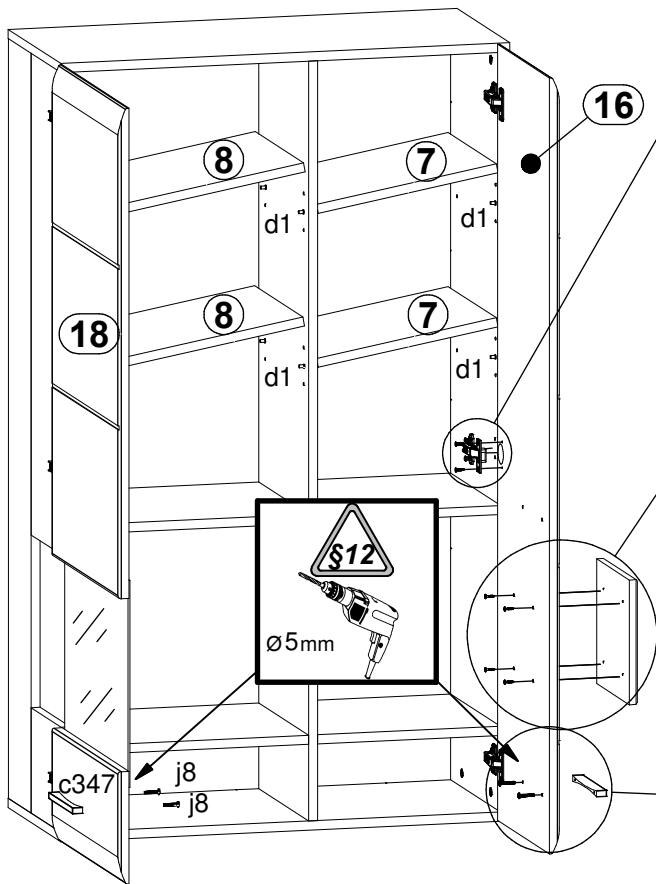
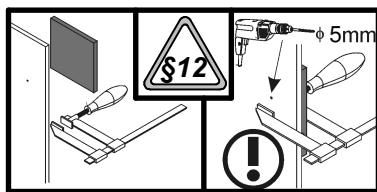
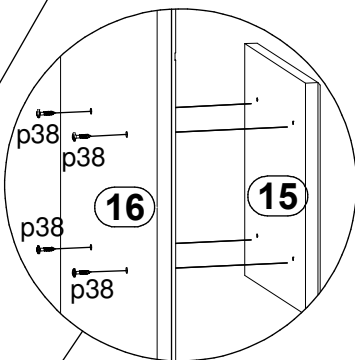
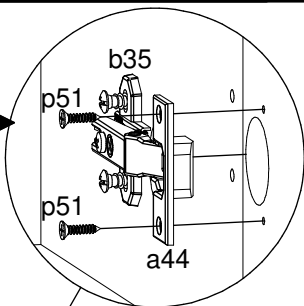
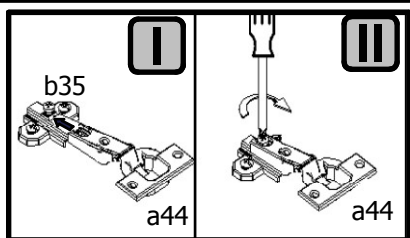
9





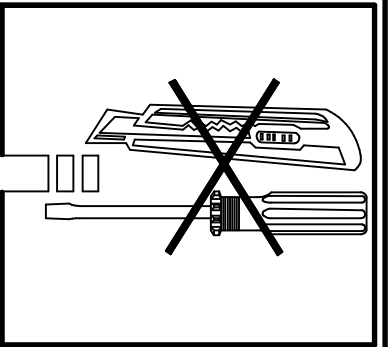
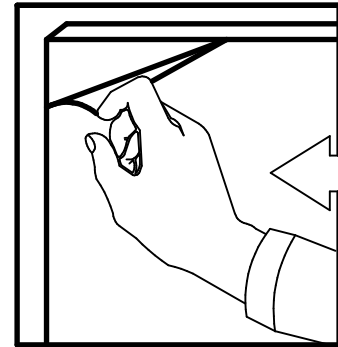
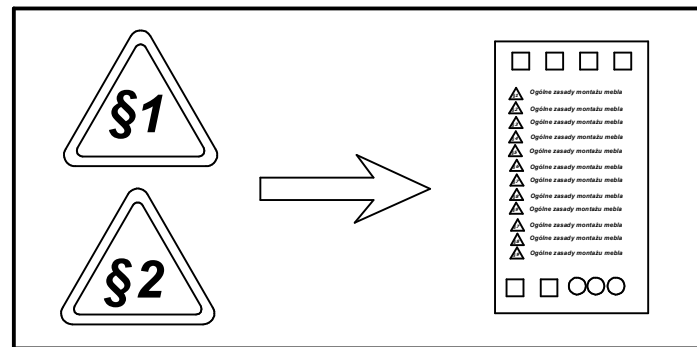
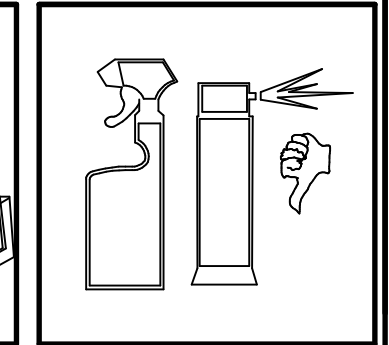
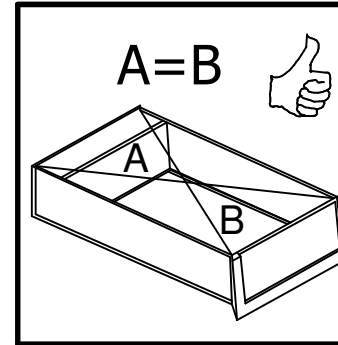
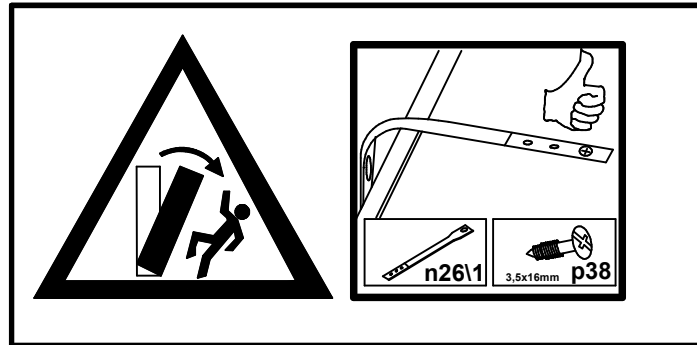
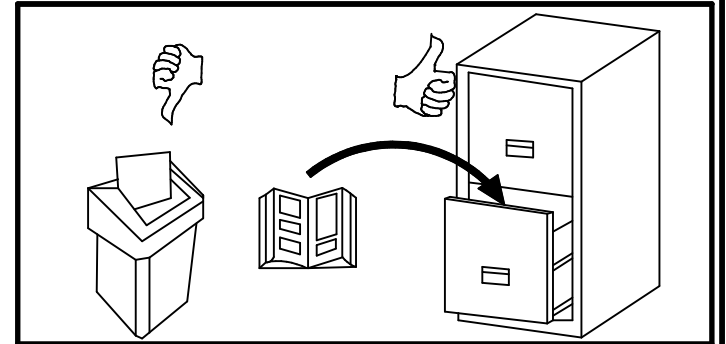
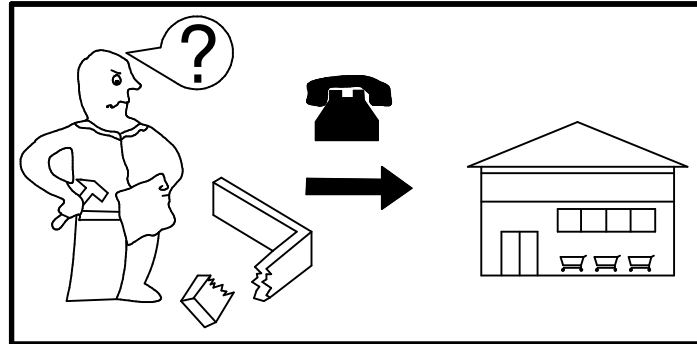
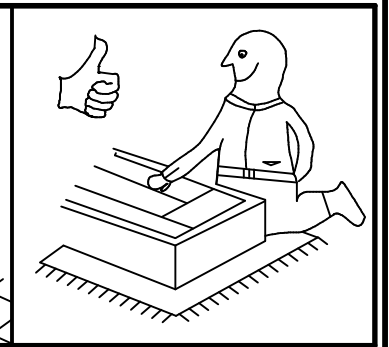
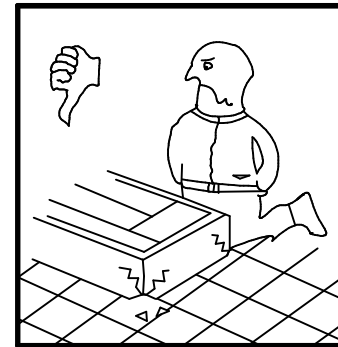
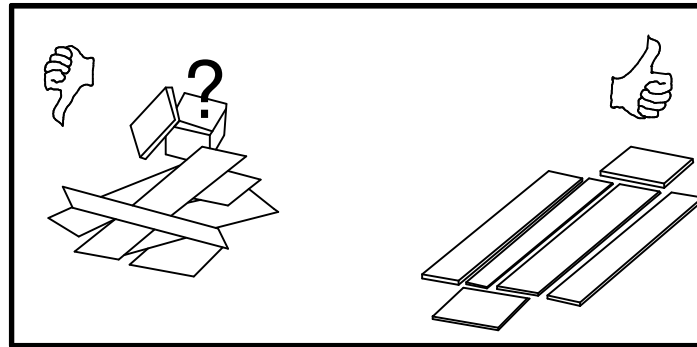
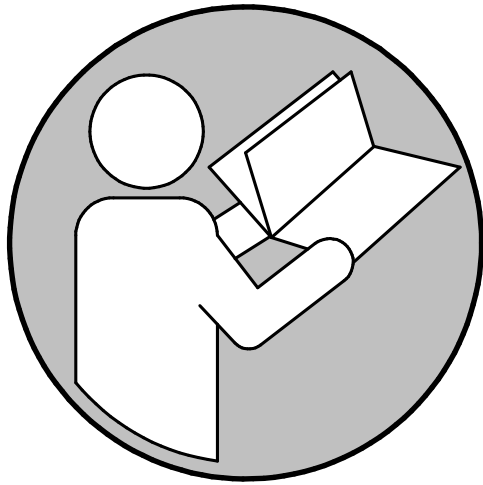


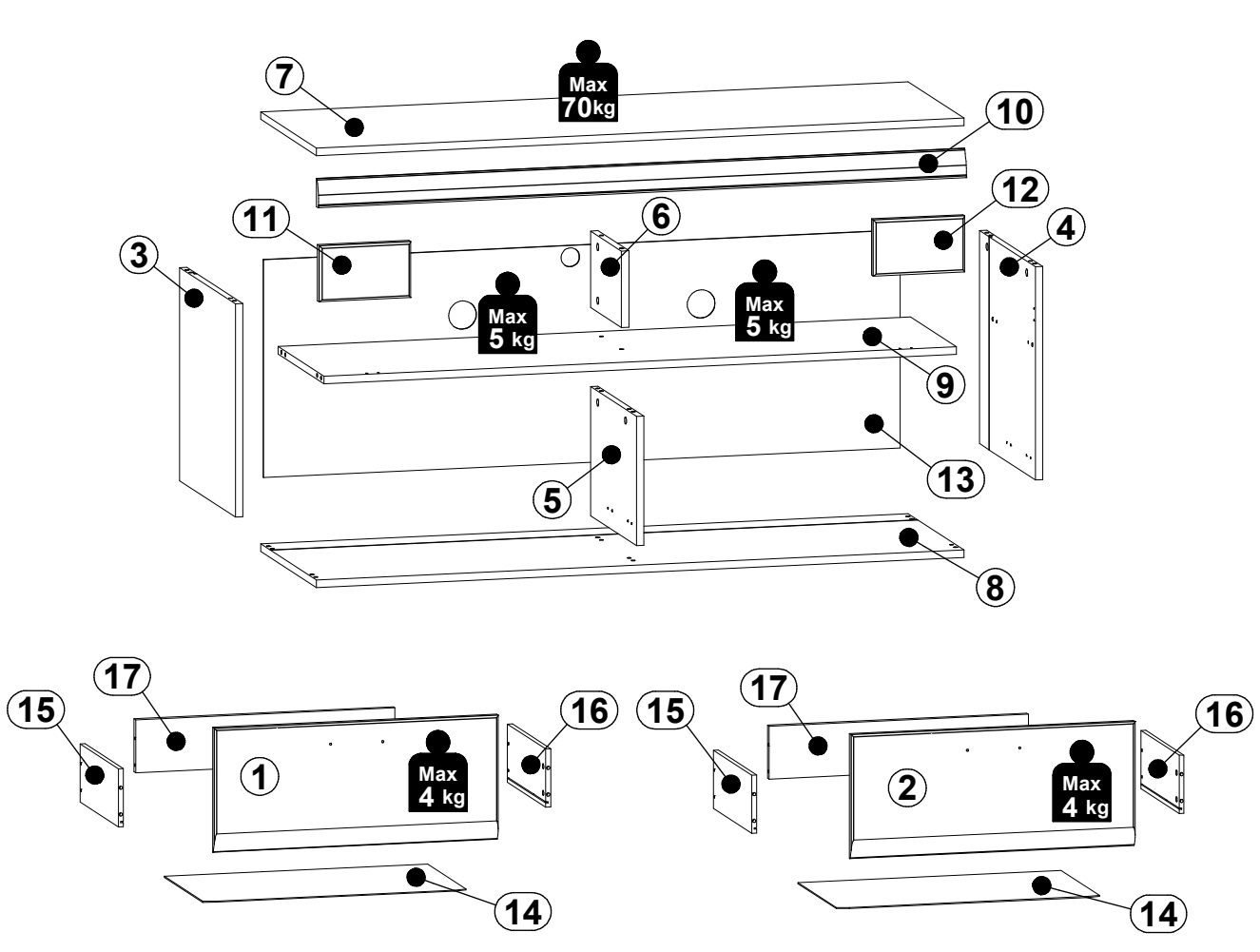
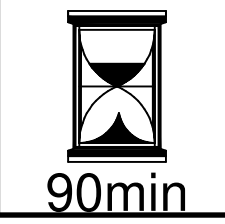
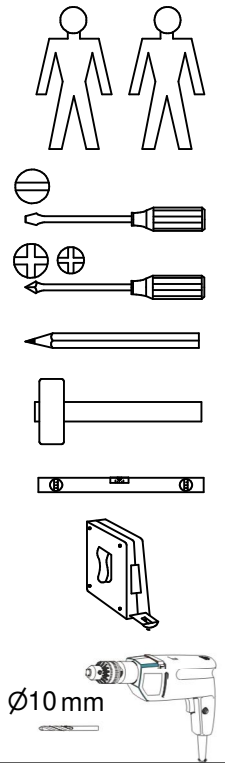
9



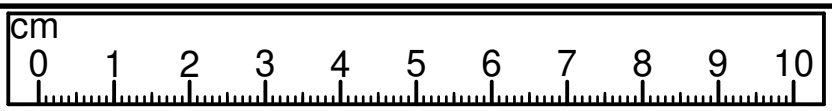
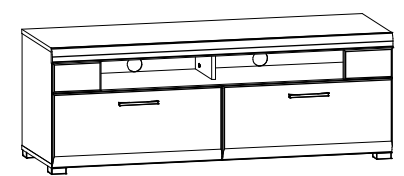
- 1x a44
- 1x b35
- 2x c347
- 4x j8 M4x25 mm
- 4x p38 Ø3,5x16 mm



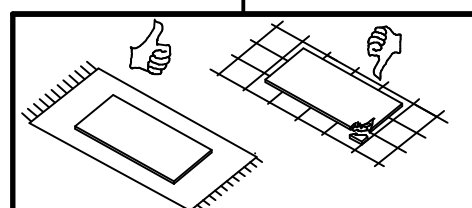
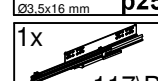
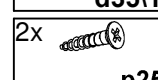
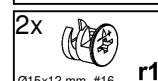
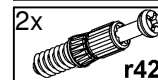
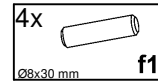
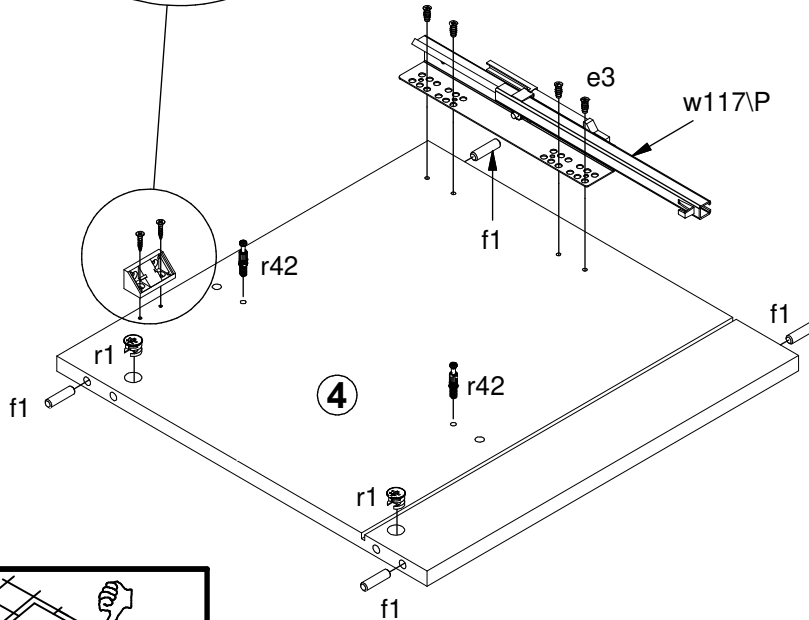
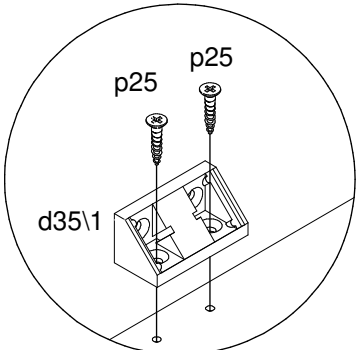
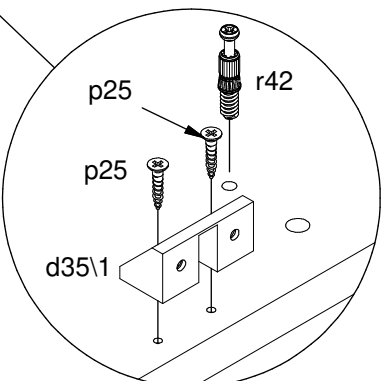
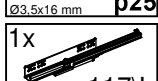
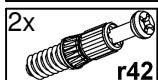
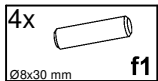
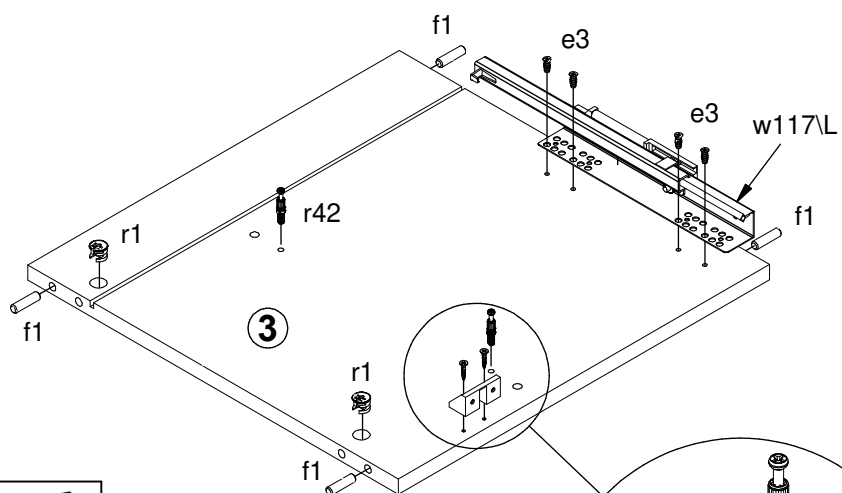
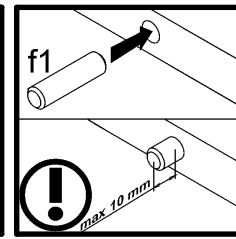
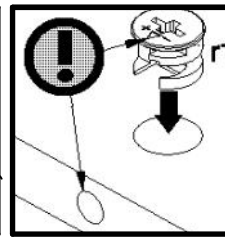
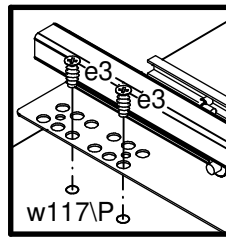
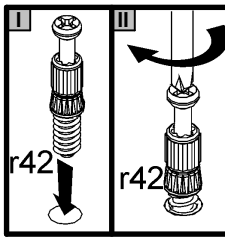
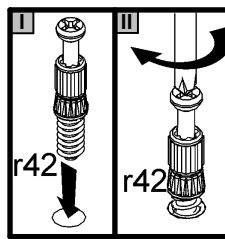
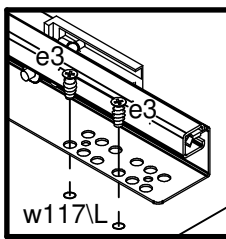
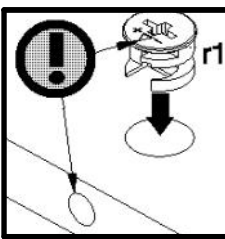
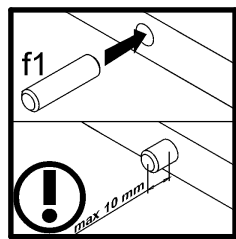


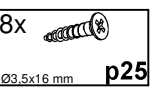
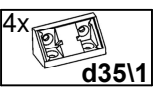
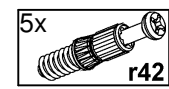
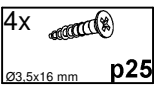
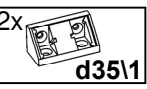
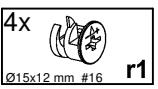
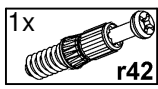
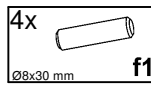
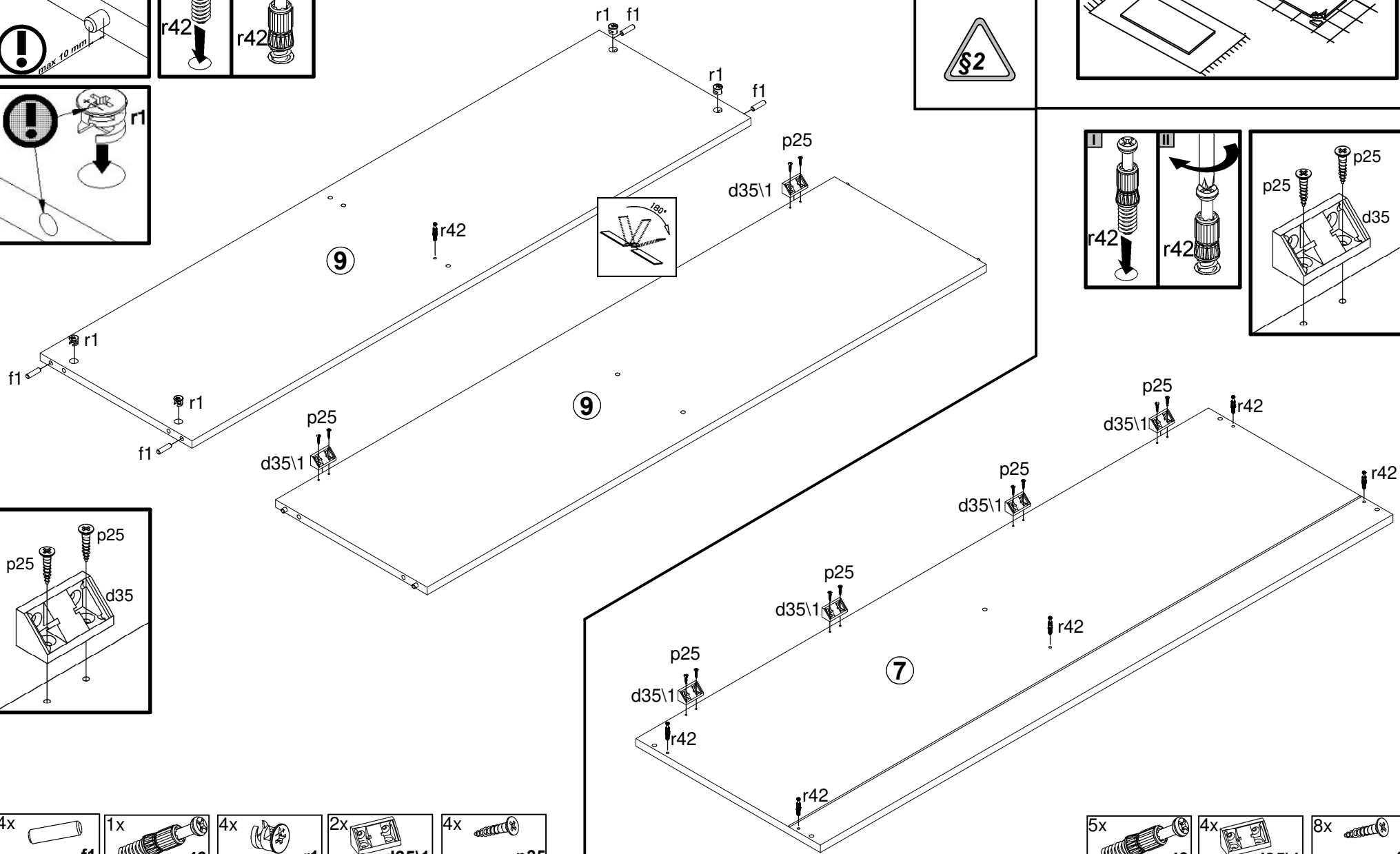
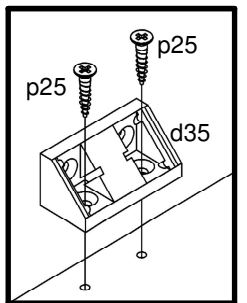
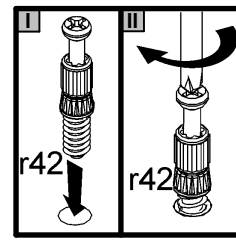
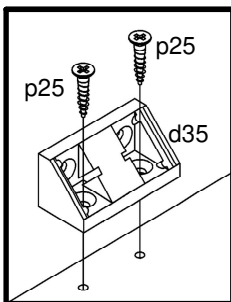
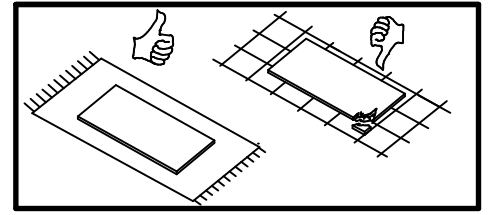
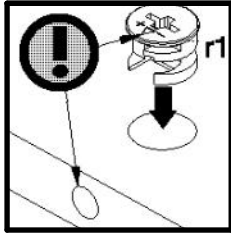
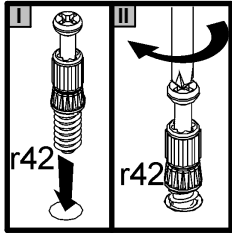
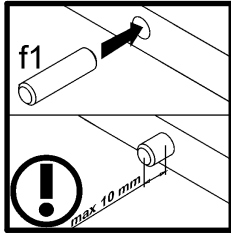


A	B	C (mm)		D
1	S246-0002	300	696	2/2
2	S246-0003	300	696	2/2
3	S246-1003	452	451	1/2
4	S246-1004	452	451	1/2
5	S246-1005	274	371	1/2
6	S246-1006	162	250	1/2
7	S246-2003	1400	451	1/2
8	S246-2004	1400	451	1/2
9	S246-3012	1367	371	2/2
10	S246-5002	1401	60	2/2
11	S246-7805	119	198	2/2
12	S246-7806	119	198	2/2
13	S246-9002	462	1377	1/2
14	WSP-9079	645	358	2/2
15	WSQ4-505	350	140	2/2
16	WSQ4-506	350	140	2/2
17	WTQ-5049	635	127	2/2



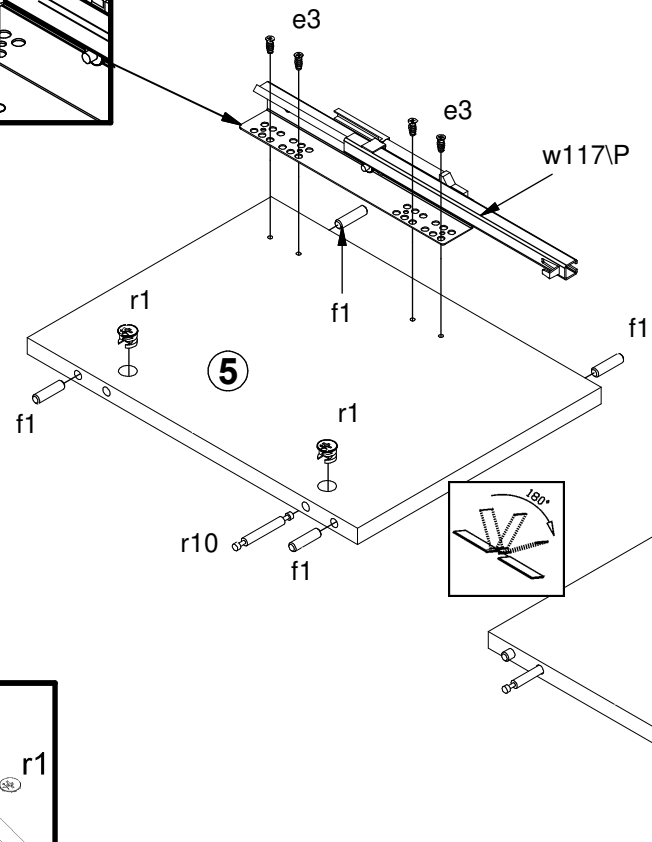
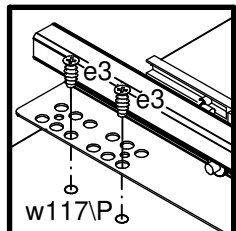
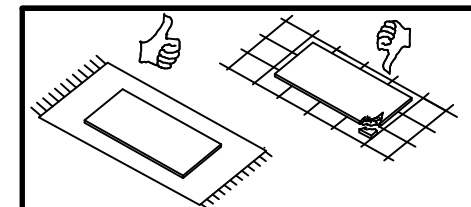
2x c347	8x d3511	6x Ø7x50 mm e1	16x Ø6x13 mm e3	18x Ø8x30 mm f1	8x Ø6.5x40 mm f25	4x M4x25 mm j8	1x k53	4x k55	15x l1	14x l2	8x Ø4x35 mm p6	34x Ø3.5x16 mm p25
2x Ø3.5x10 mm p35	1x Ø4x25 mm p36	12x Ø3.5x16 mm p38	12x Ø15x12 mm #16 r1	1x Ø4x25 mm r10	8x Ø12x10.5 mm #12 r15	18x r42	4x Ø16 s2	2x 350 mm t35	2x 350 mm W117L	2x 350 mm W117P	1x z1	
									1x Ø10x50 mm f35	1x 88x21x15/1.5 n14/2	1x Ø5x60 mm p17	2x Ø3.5x16 mm p38



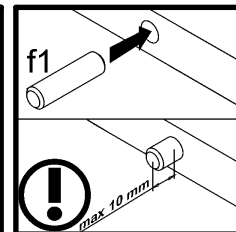
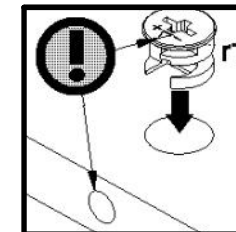
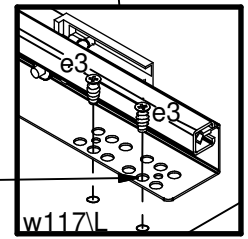
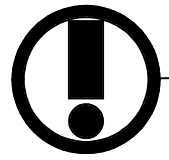
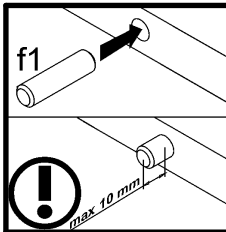
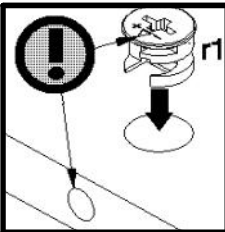
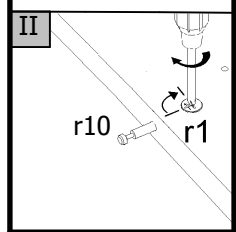
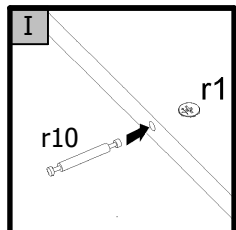
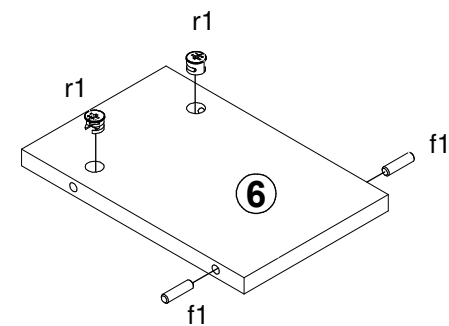


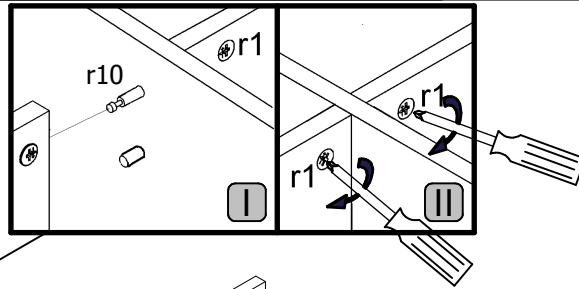
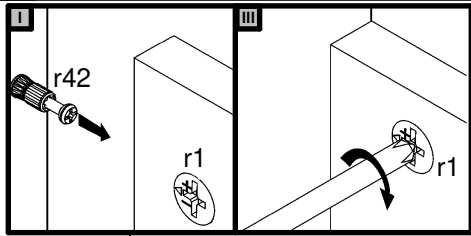
- 1x r10
- 2x r1
- 4x f1
- 1x 350 mm W117P
- 1x 350 mm W117L
- 8x e3

1



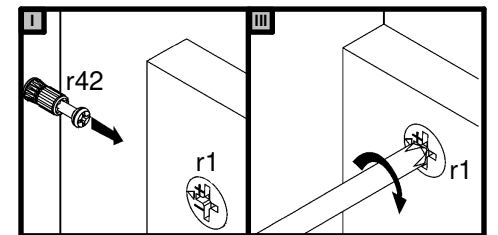
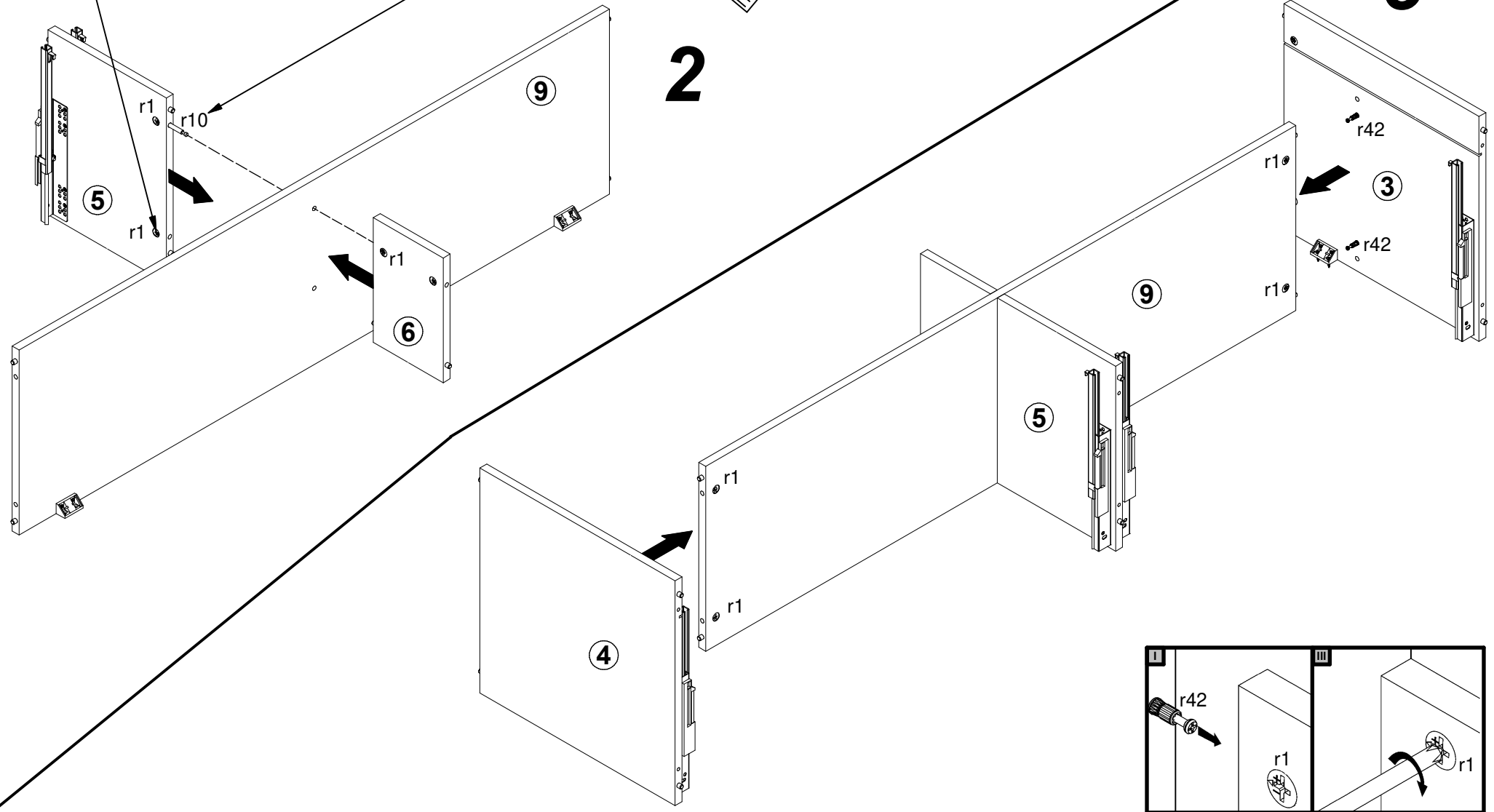
- 2x r1
- 2x f1

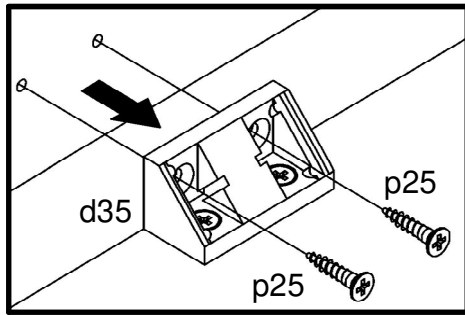




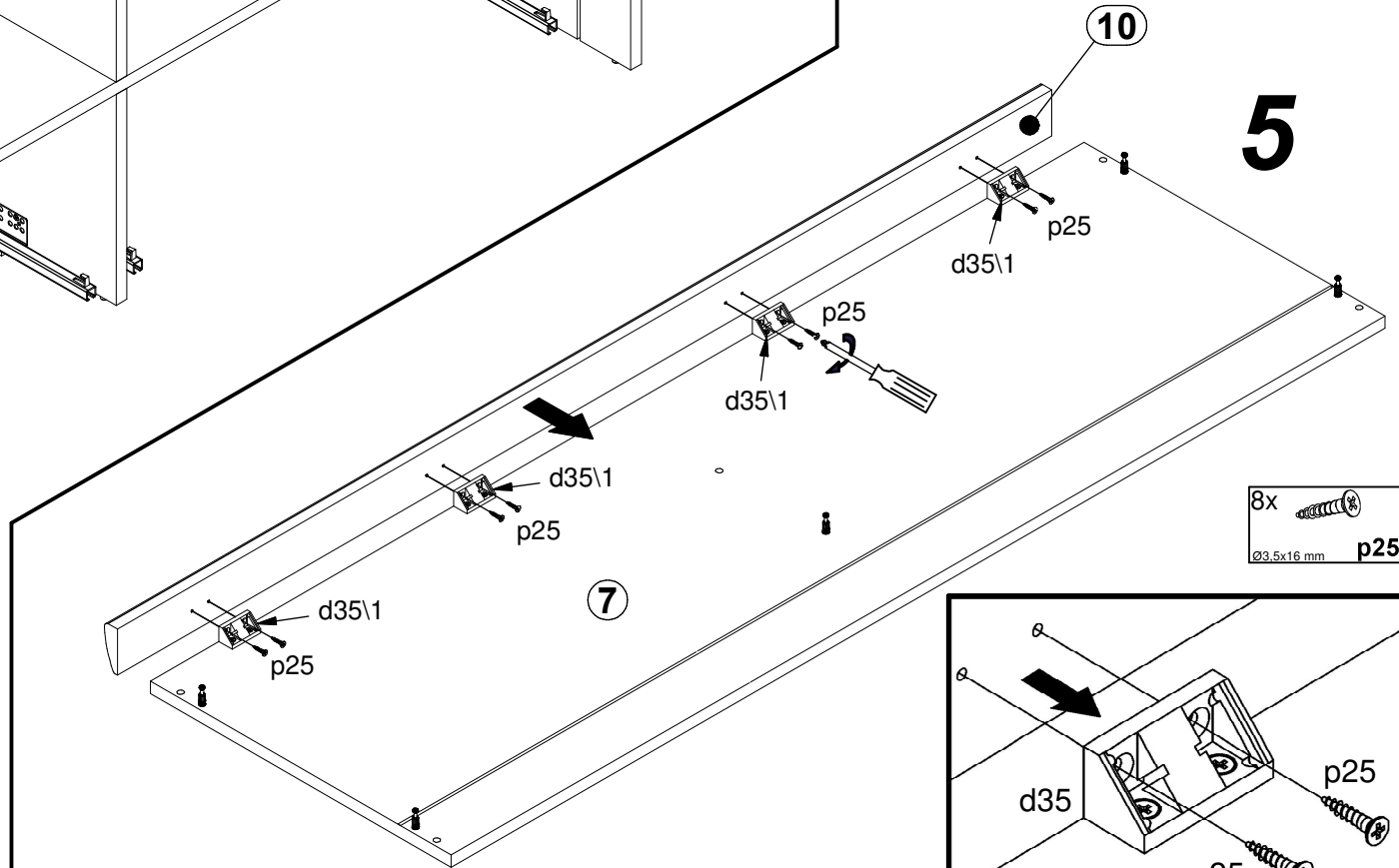
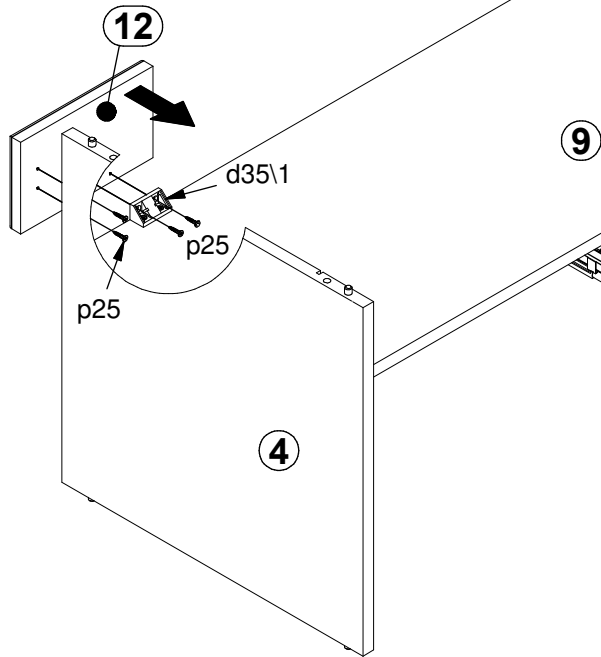
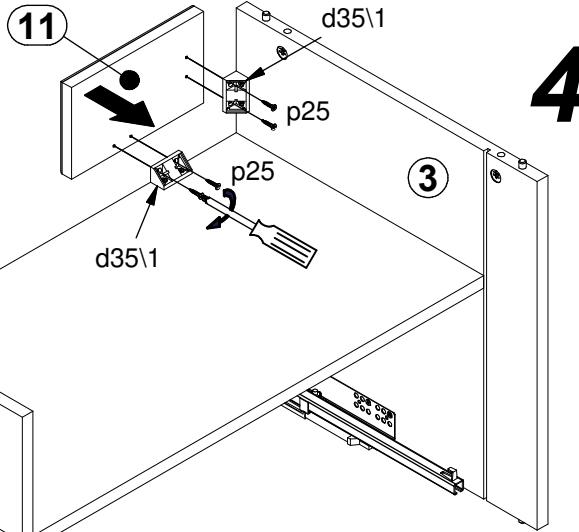
3

2

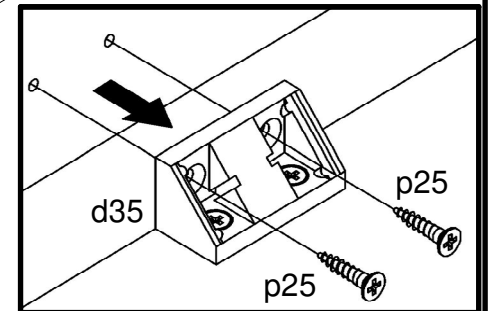


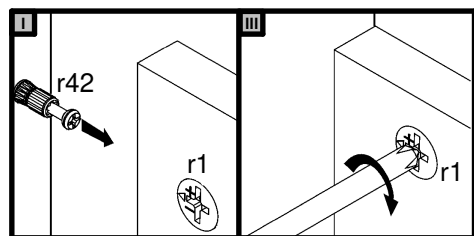


8x
 Ø3,5x16 mm p25

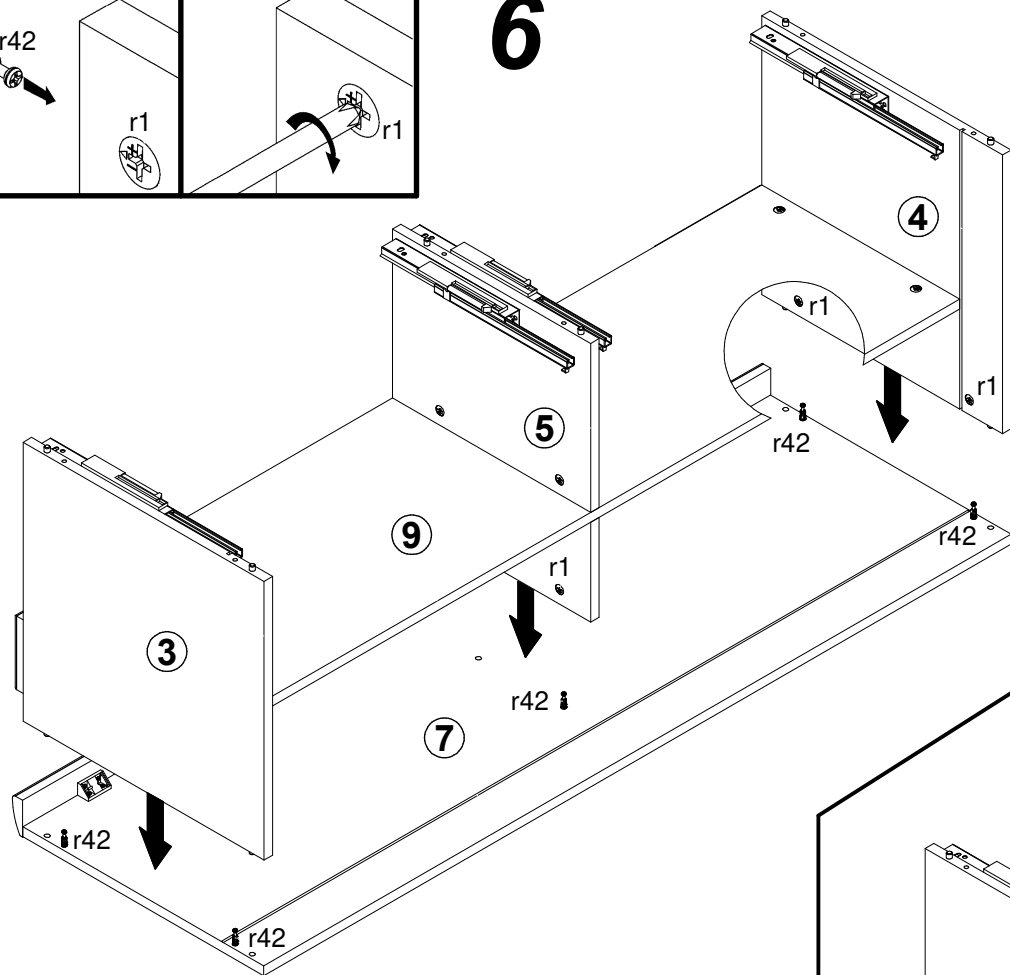


8x
 Ø3,5x16 mm p25

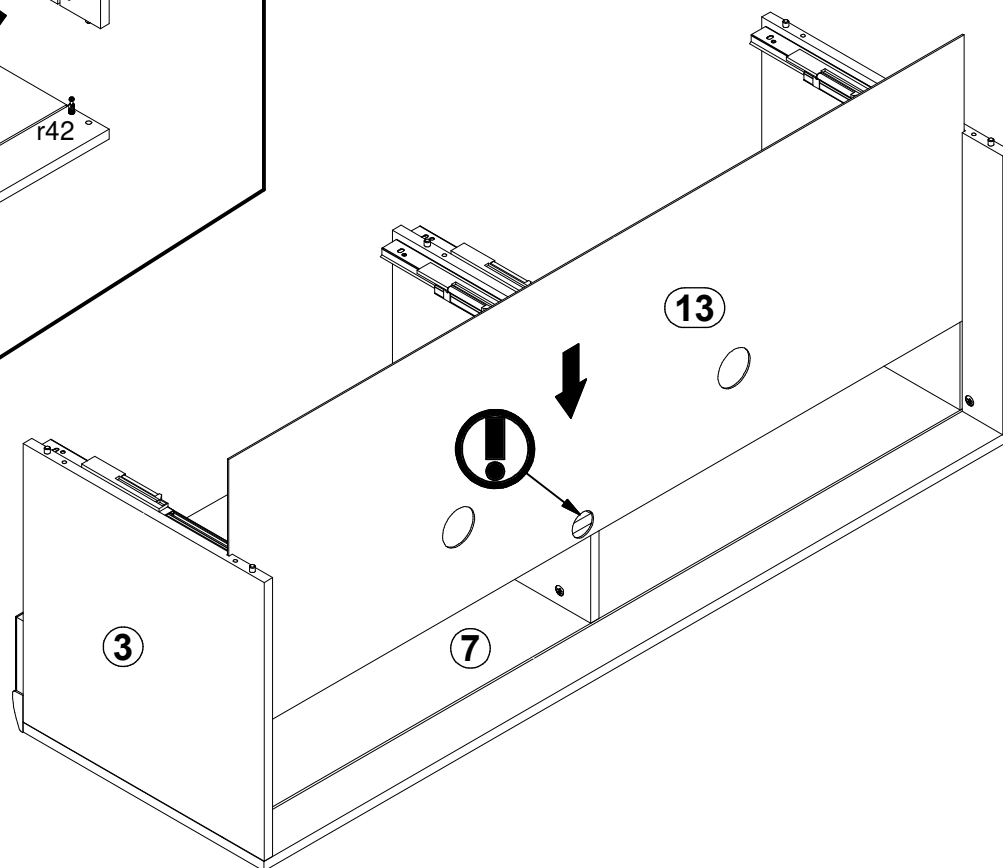




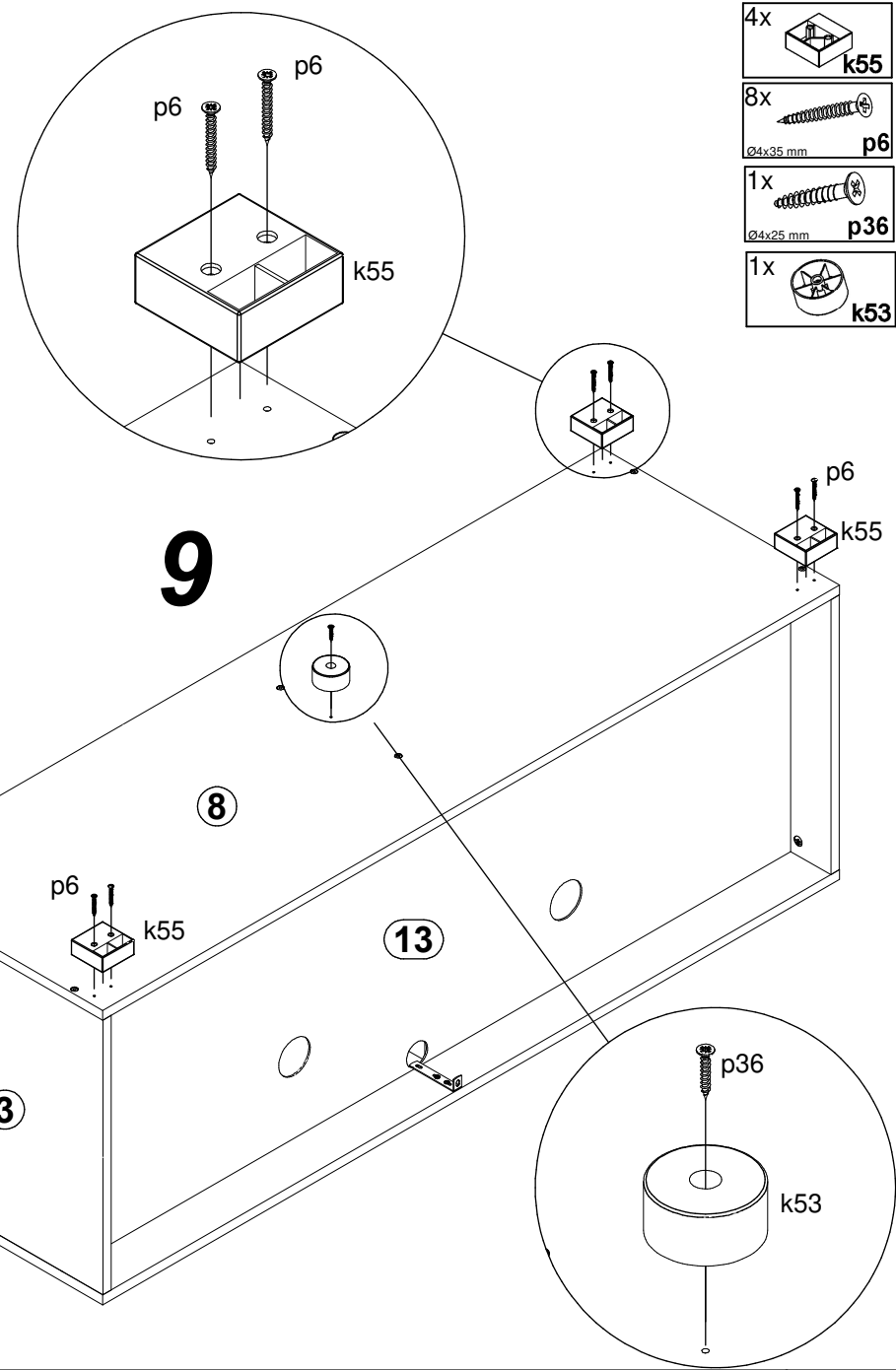
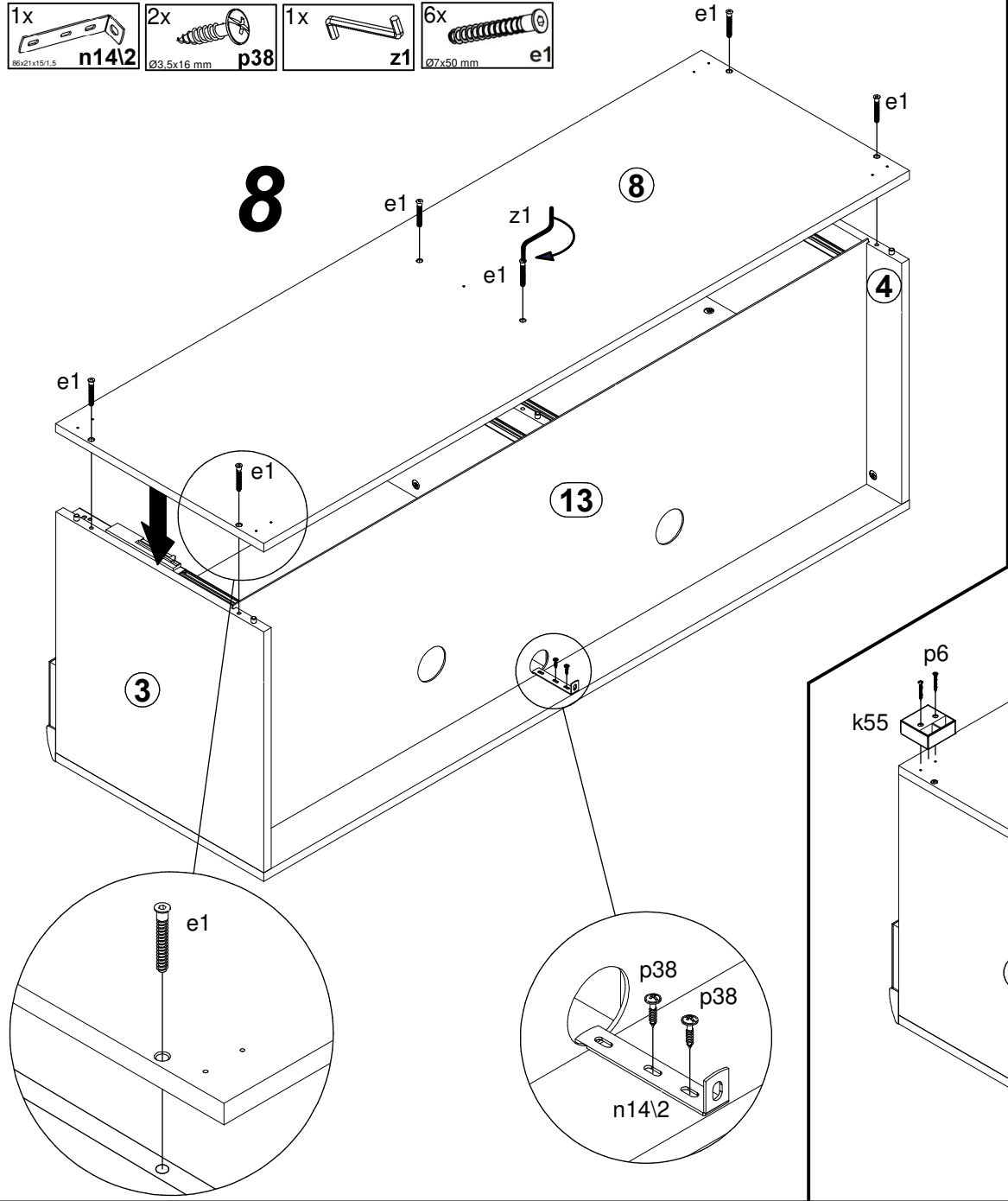
6



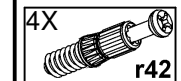
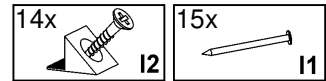
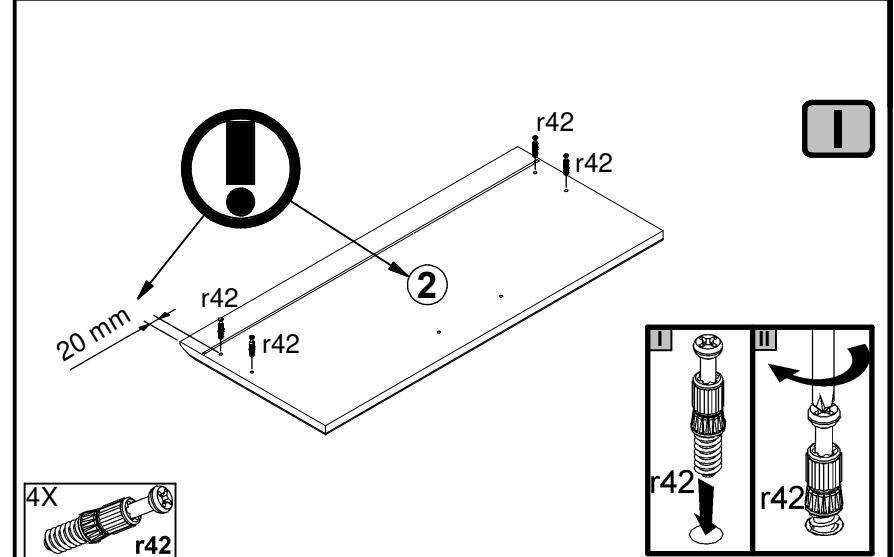
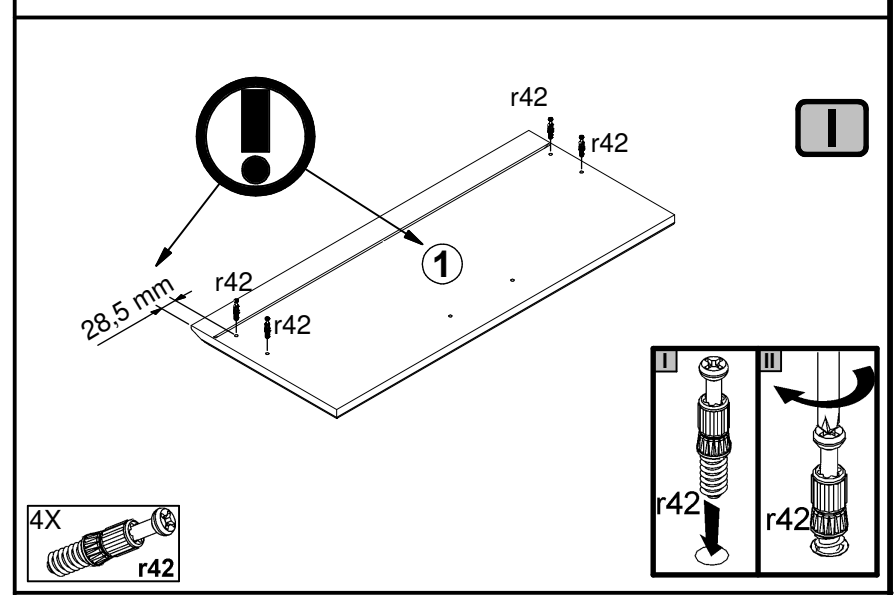
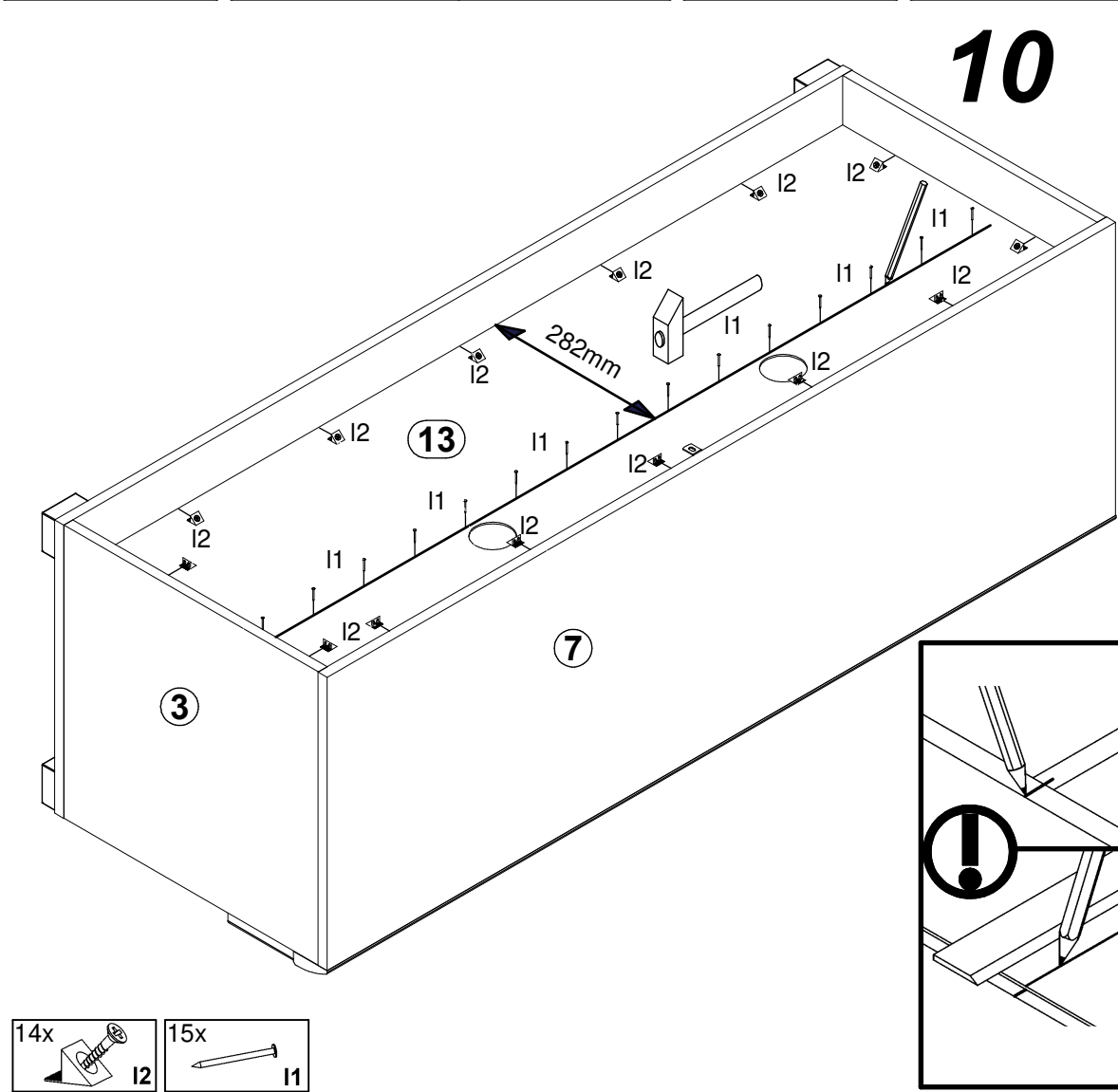
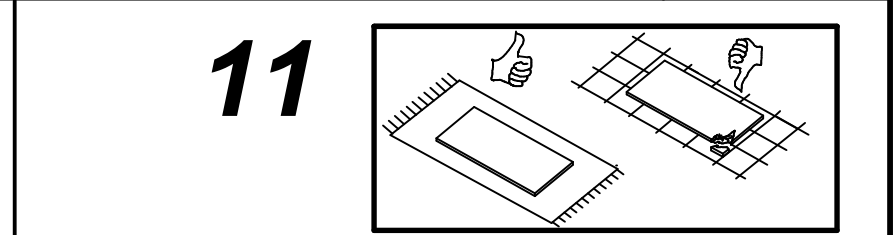
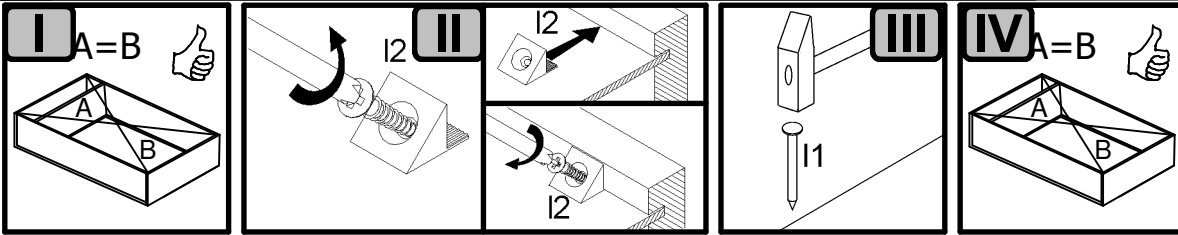
7

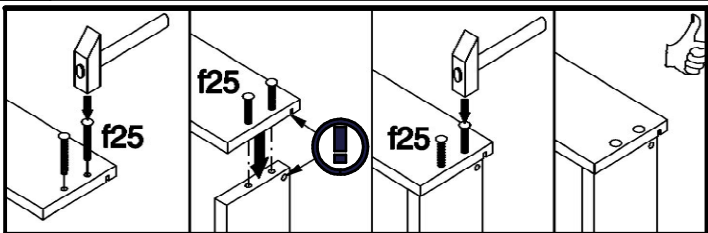


- 1x n14/2 36x21x15/1.5
- 2x p38 Ø3.5x16 mm
- 1x z1
- 6x e1 Ø7x50 mm



- 4x k55
- 8x p6 Ø4x35 mm
- 1x p36 Ø4x25 mm
- 1x k53

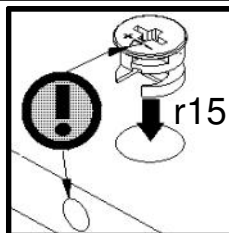
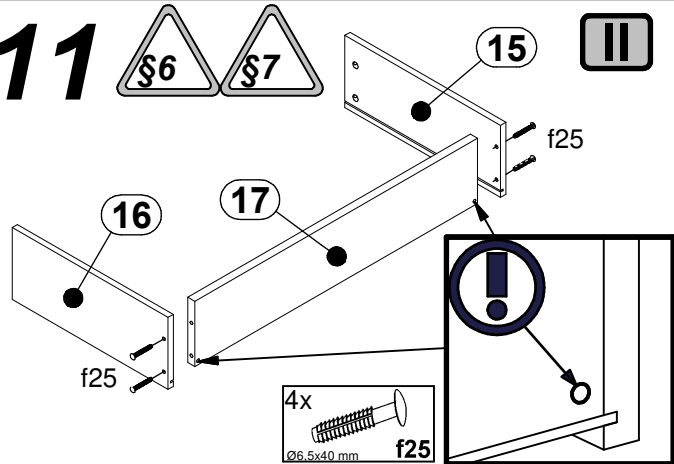




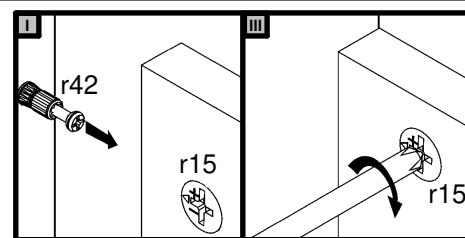
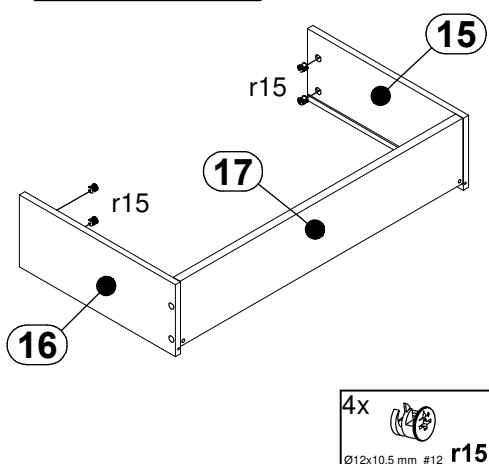
11



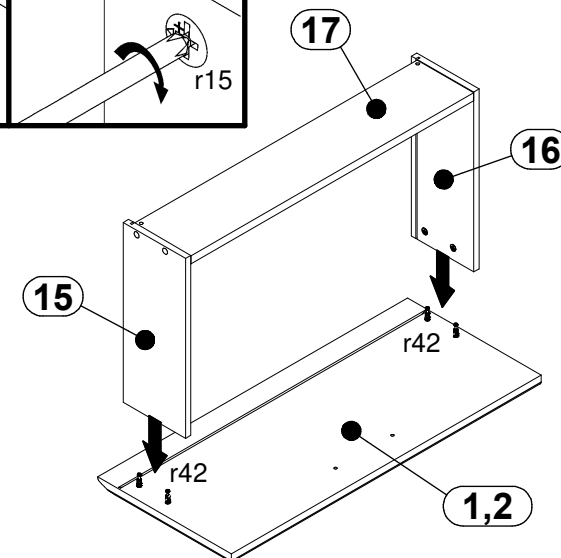
II



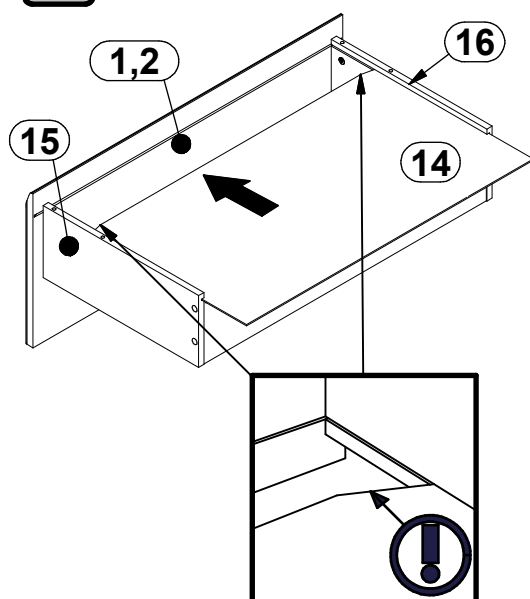
III



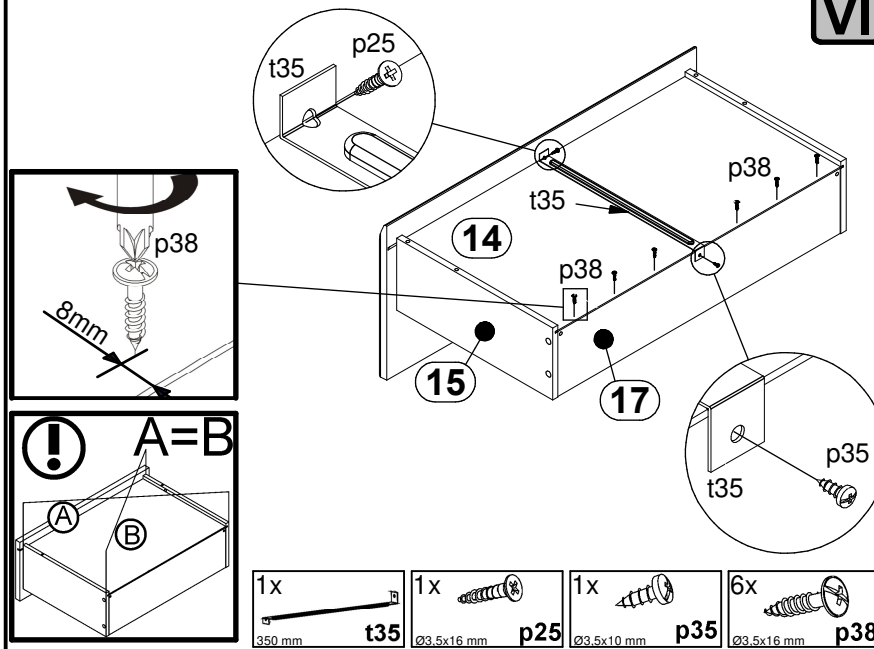
IV



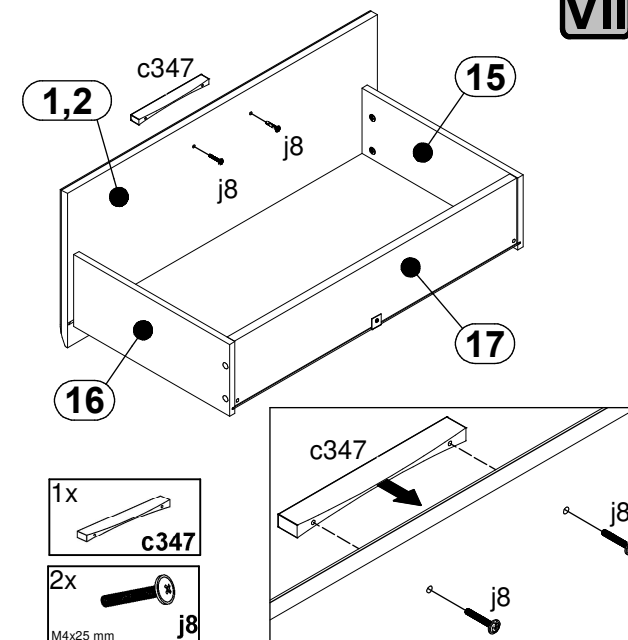
V



VI



VII



1x 350 mm t35

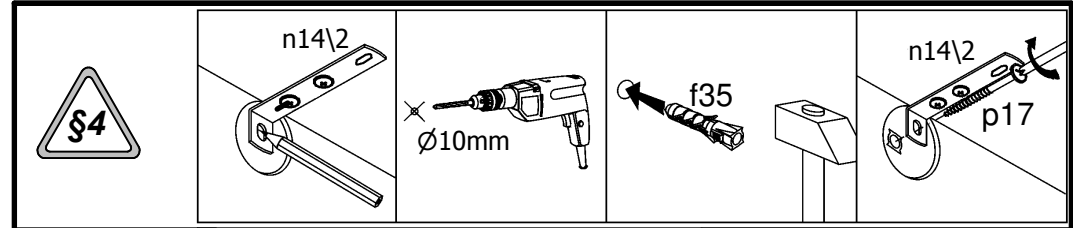
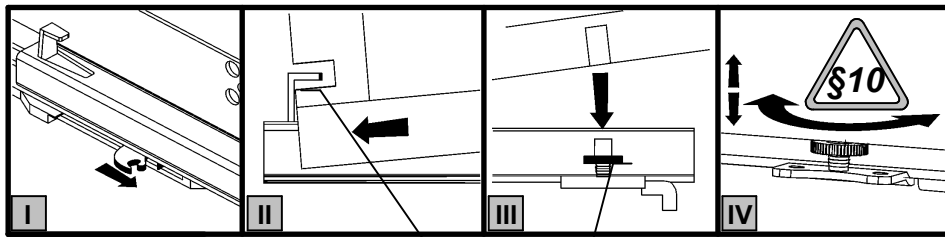
1x Ø3,5x16 mm p25

1x Ø3,5x10 mm p35

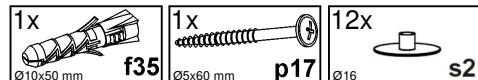
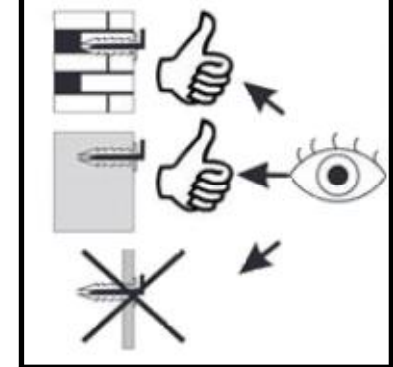
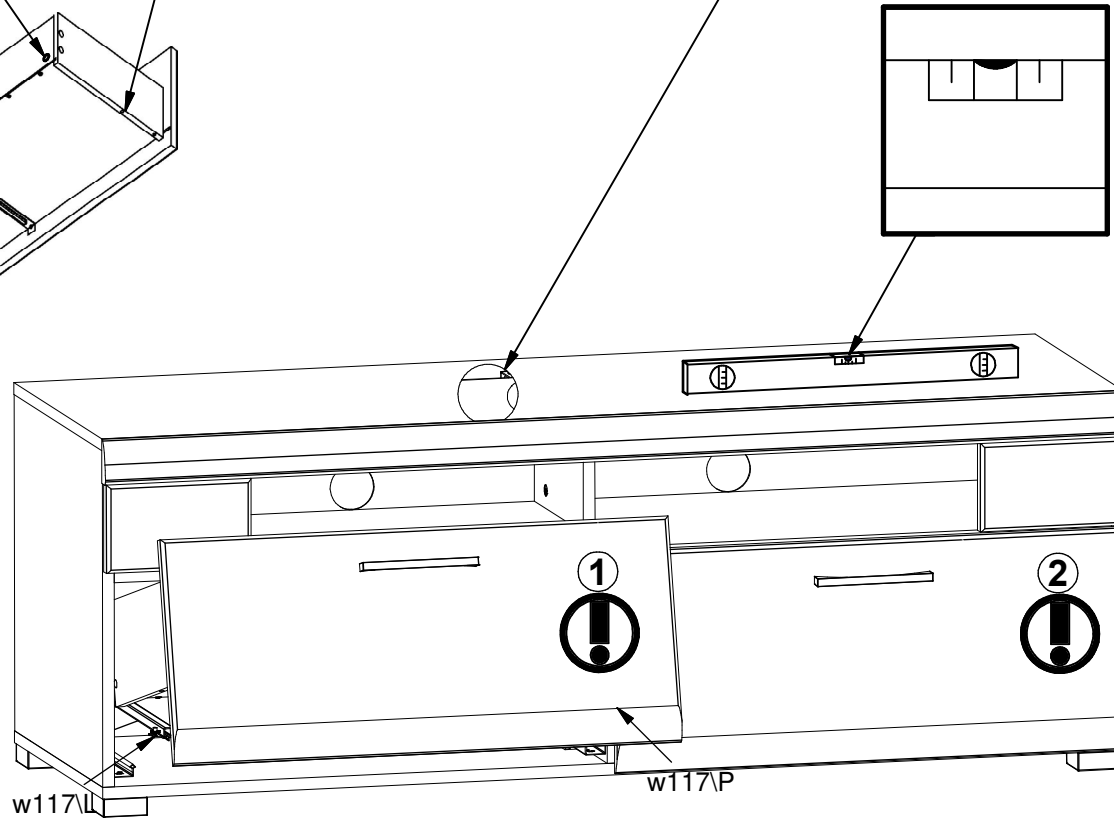
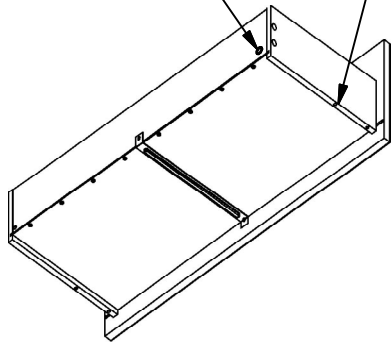
6x Ø3,5x16 mm p38

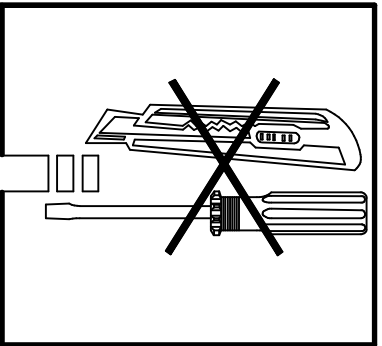
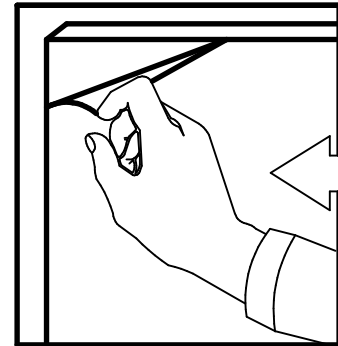
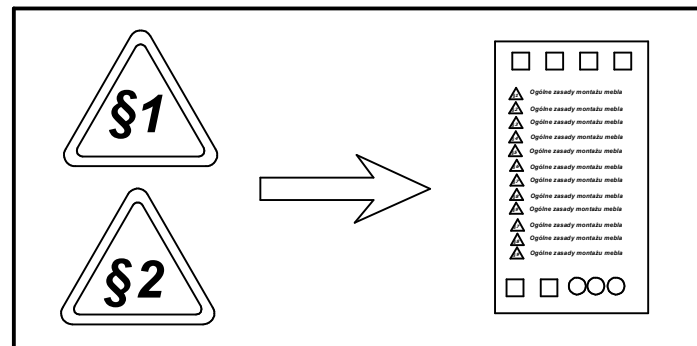
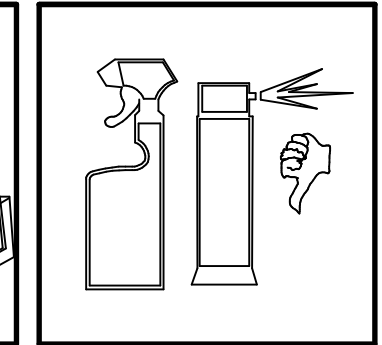
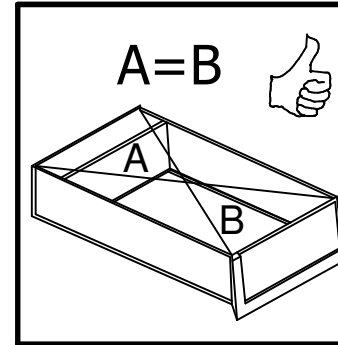
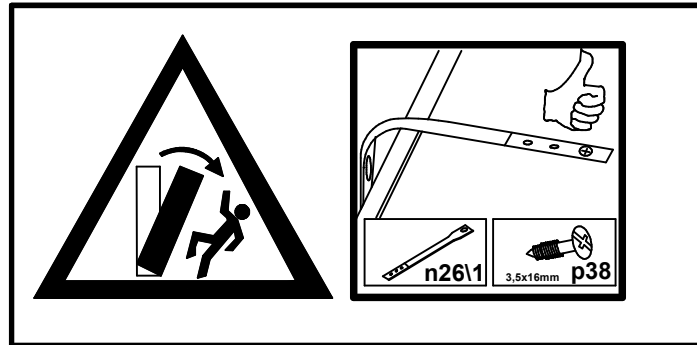
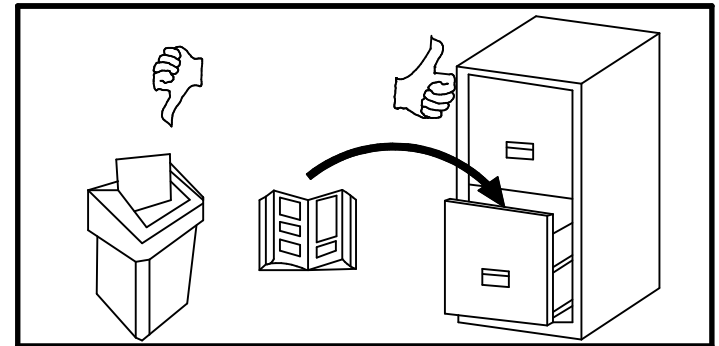
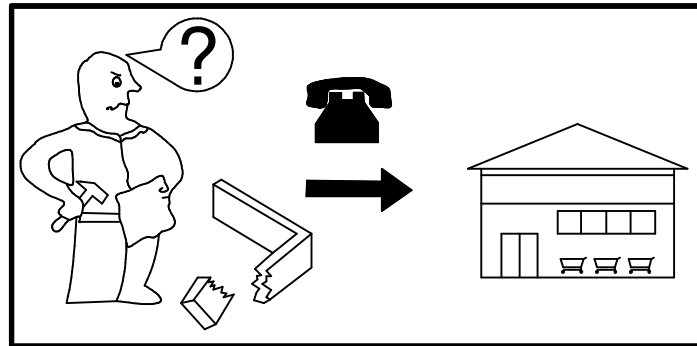
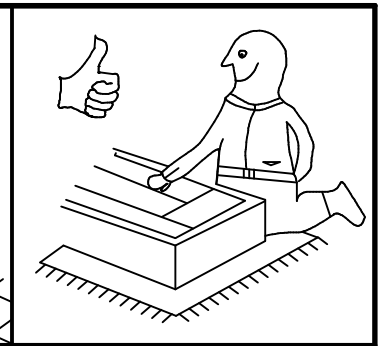
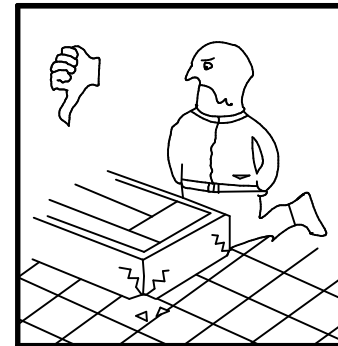
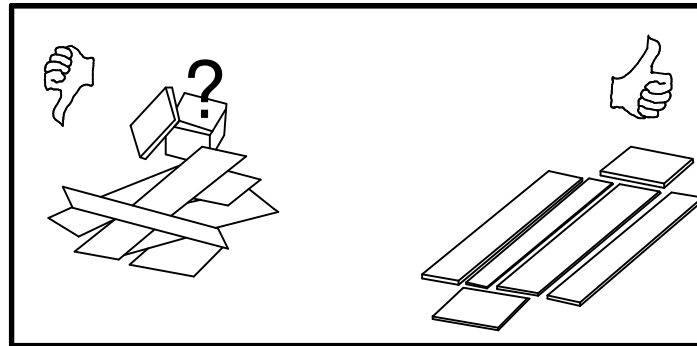
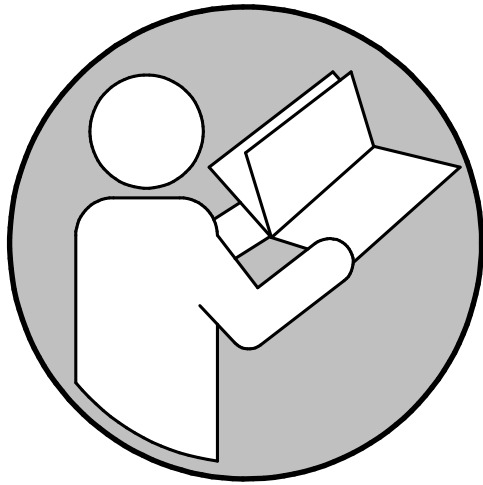
1x c347

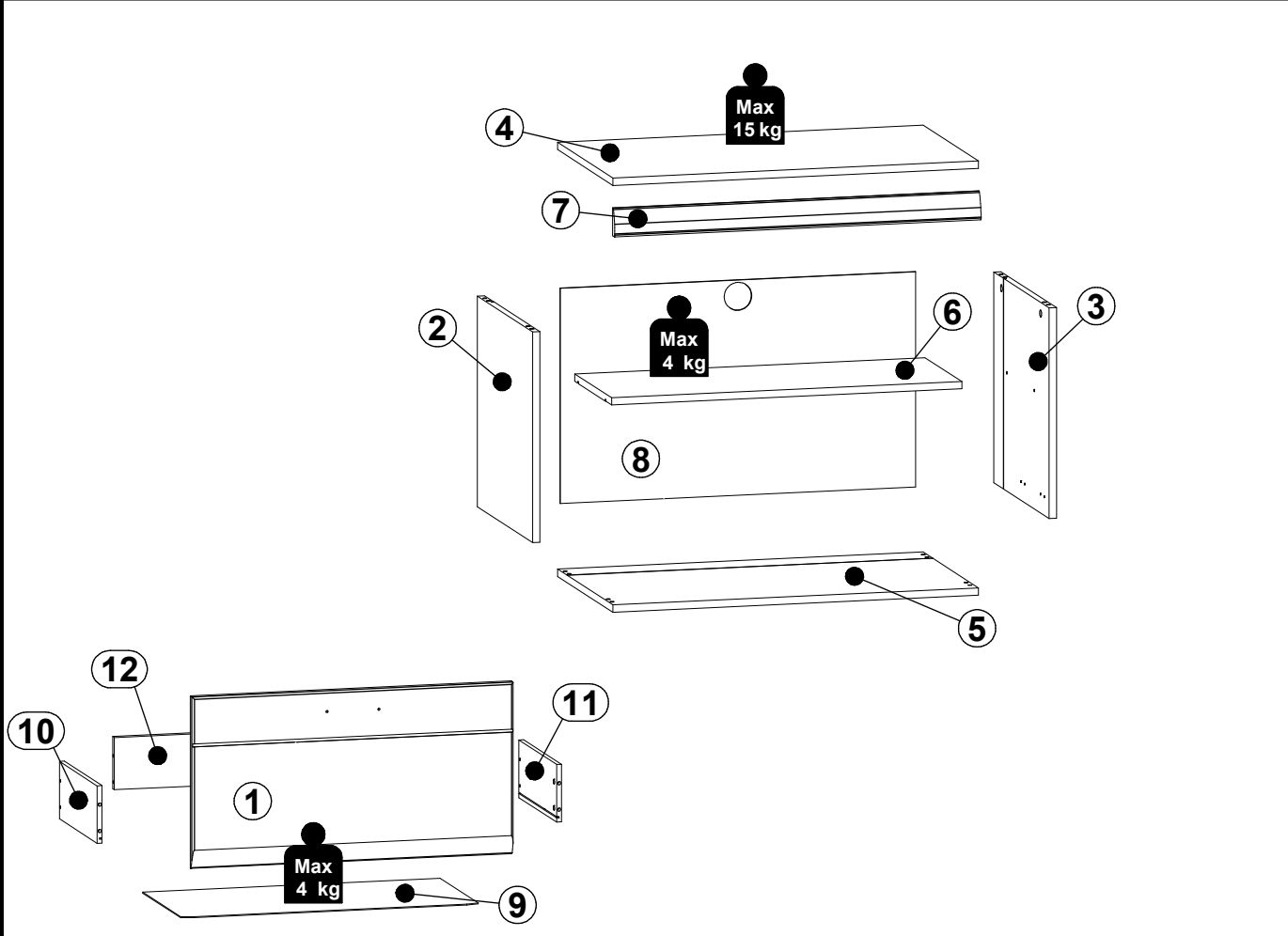
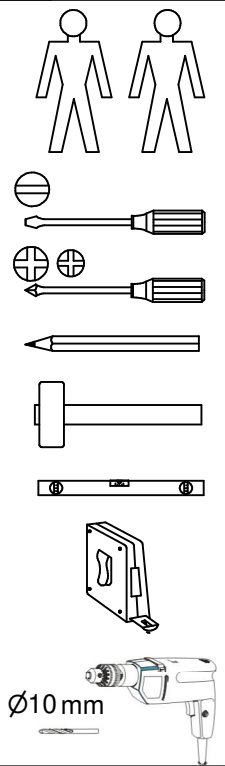
2x M4x25 mm j8



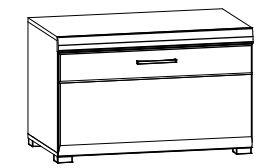
12



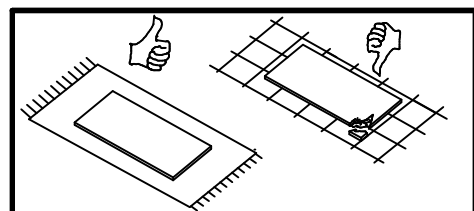
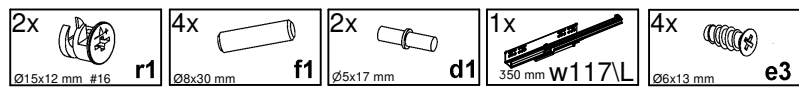
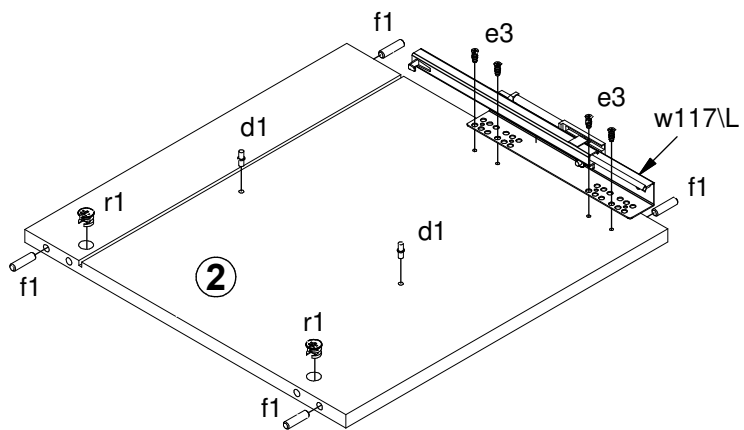
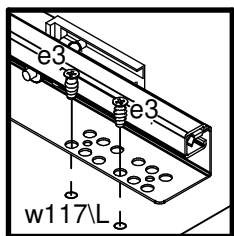
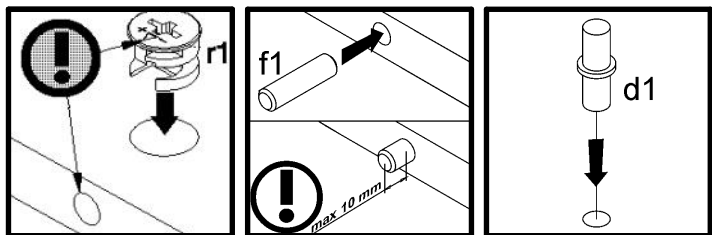
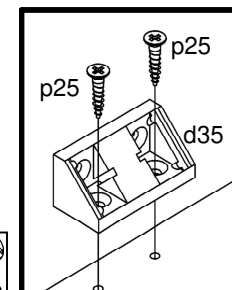
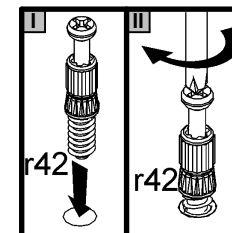
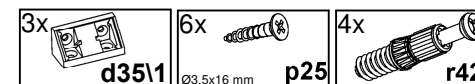
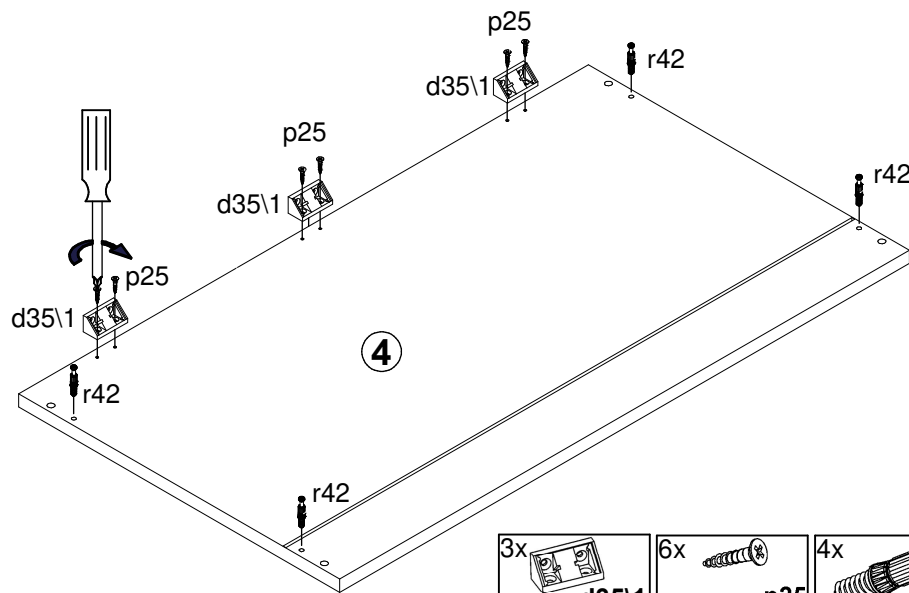
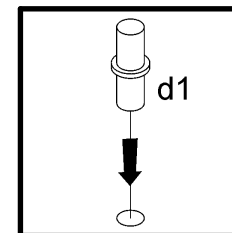
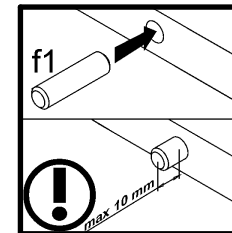
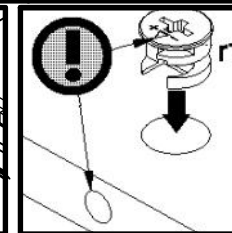
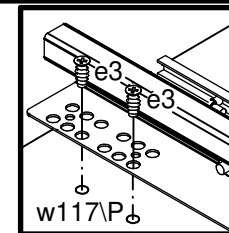
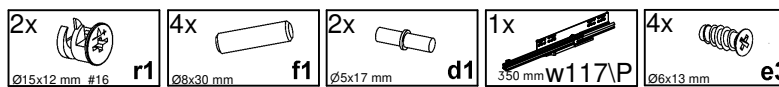
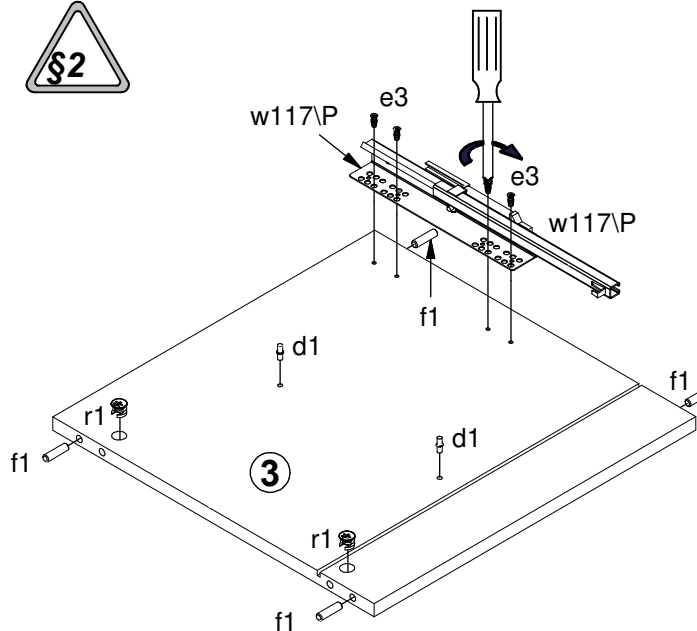




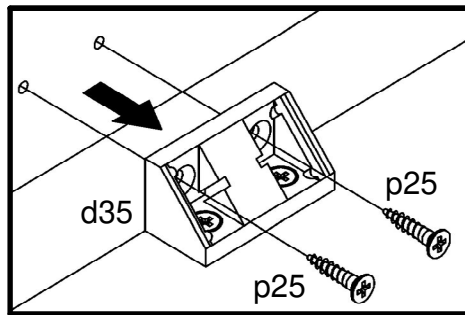
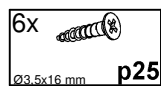
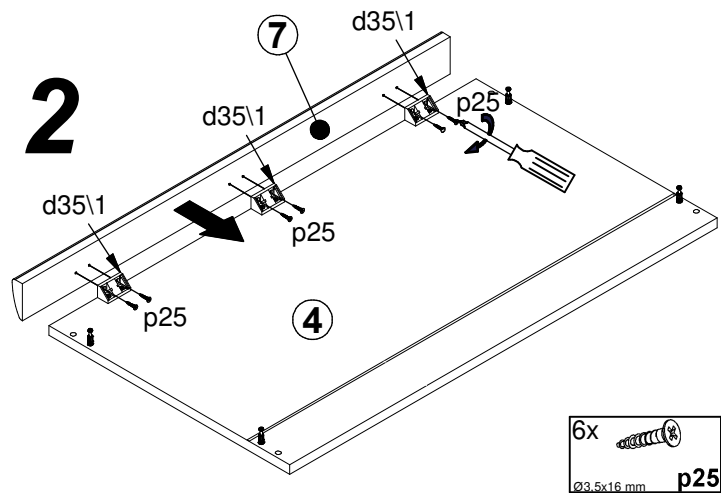
A	B	C (mm)		D
1	S246-0001	419	796	1/1
2	S246-1001	452	451	1/1
3	S246-1002	452	451	1/1
4	S246-2001	800	451	1/1
5	S246-2002	800	451	1/1
6	S246-3002	766	300	1/1
7	S246-5001	801	60	1/1
8	S246-9001	462	777	1/1
9	WSP-9078	737	358	1/1
10	WSQ4-505	350	140	1/1
11	WSQ4-506	350	140	1/1
12	WTQ-5155	727	127	1/1



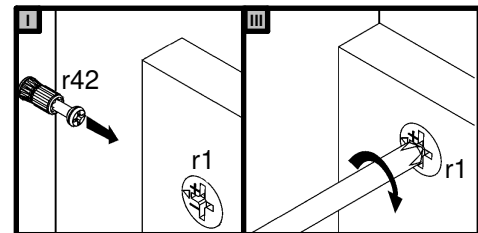
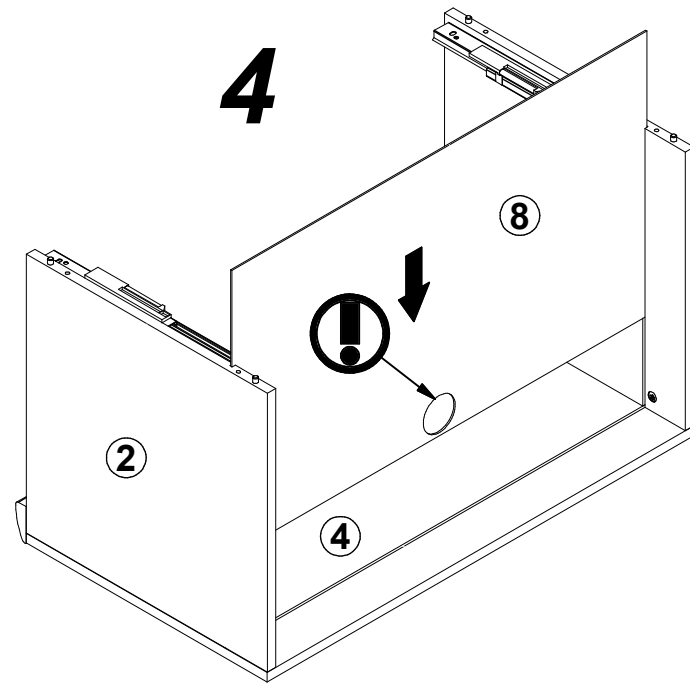
1x c347	4x Ø5x17 mm d1	3x d35\1	4x Ø7x50 mm e1	8x Ø6x13 mm e3	8x Ø8x30 mm f1	4x Ø6.5x40 mm f25	2x M4x25 mm j8	4x k55	10x l2	8x Ø4x35 mm p6	13x Ø3.5x16 mm p25	1x Ø3.5x10 mm p35
6x Ø3.5x16 mm p38	4x Ø15x12 mm #16 r1	4x Ø12x10.5 mm #12 r15	8x r42	1x 350 mm t35	1x 350 mm W117\L	1x 350 mm W117\P	1x z1					
								1x Ø10x50 mm f35	1x 88x21x15\1.5 n14\2	1x Ø5x60 mm p17	2x Ø3.5x16 mm p38	

A**S246-RTV1S/5/8****10A1--32****3 / 8****1** 

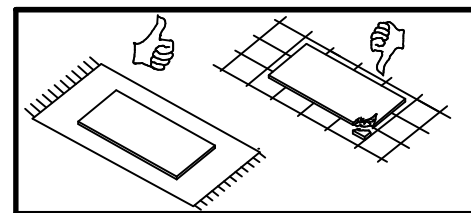
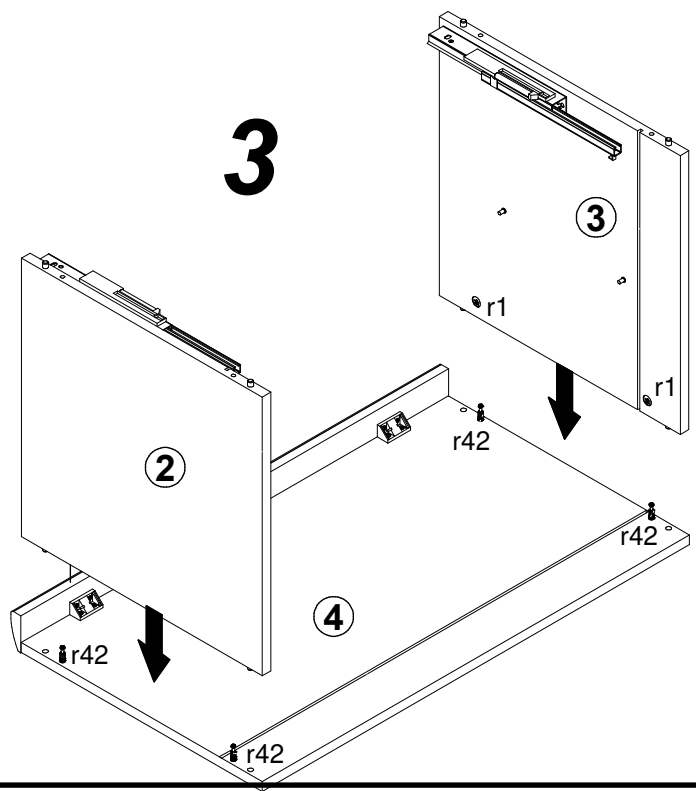
2

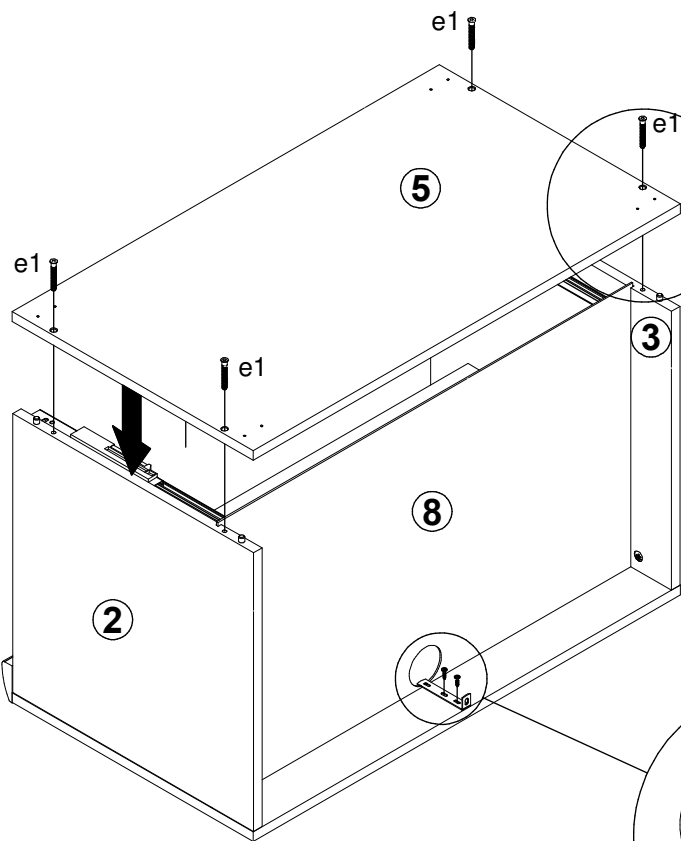
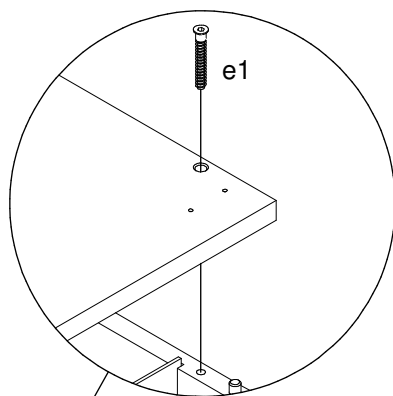
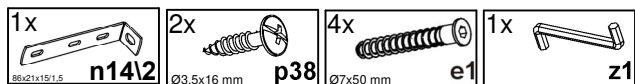


4

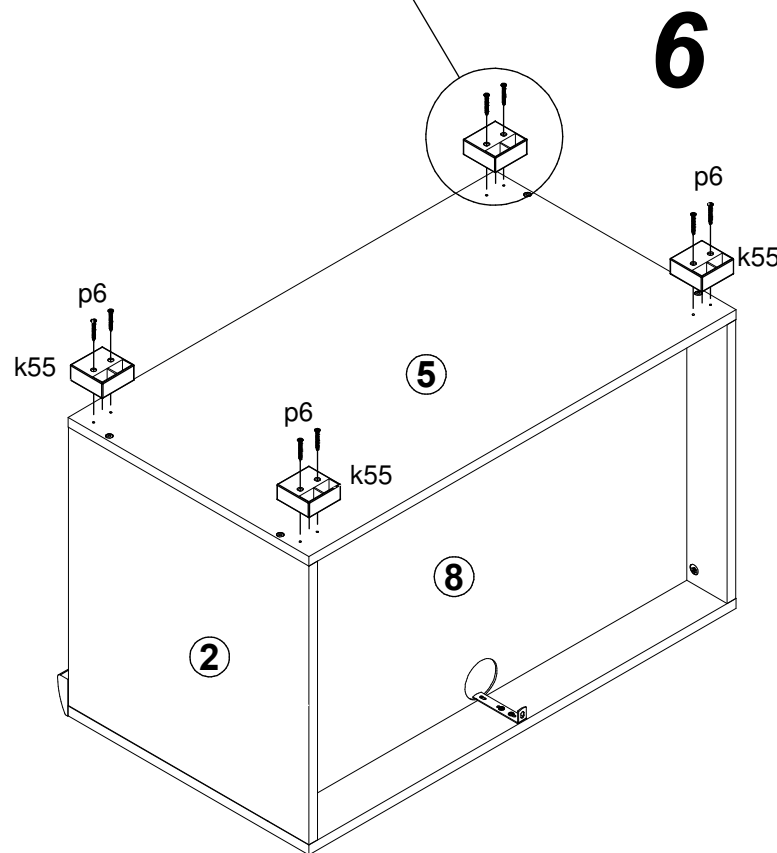
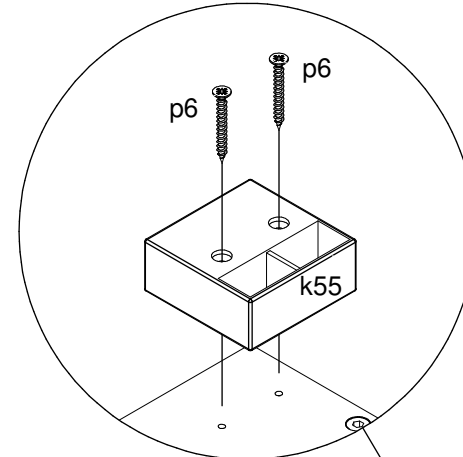
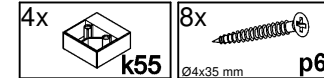


3





5



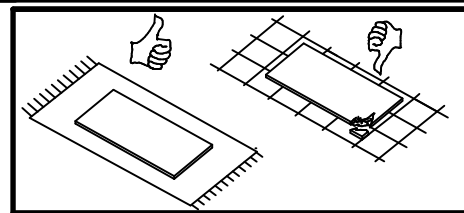
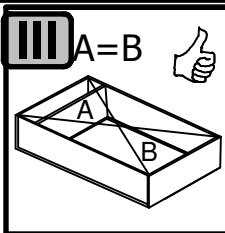
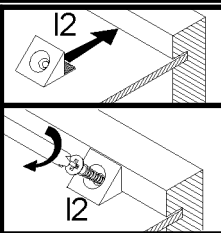
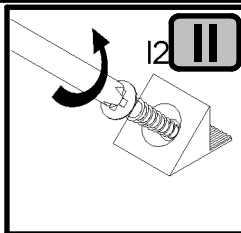
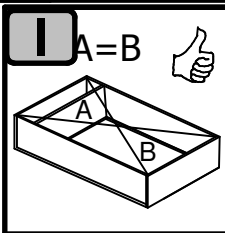
6

A

S246-RTV1S/5/8

10A1--32

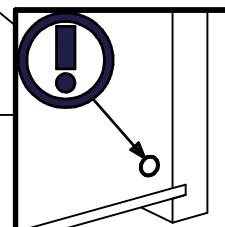
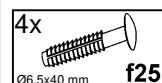
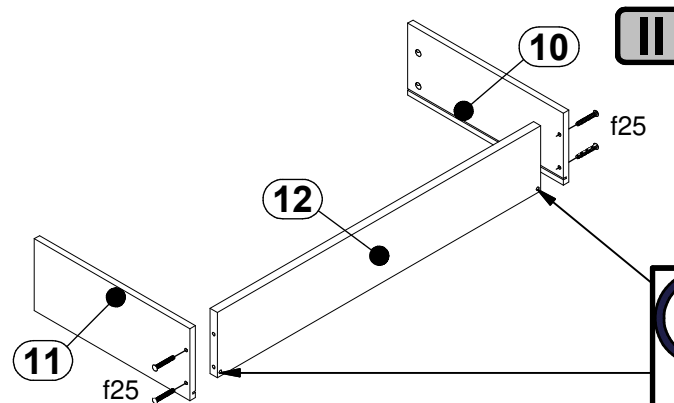
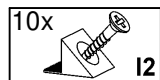
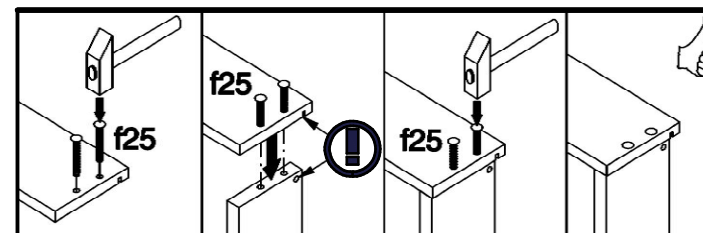
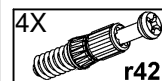
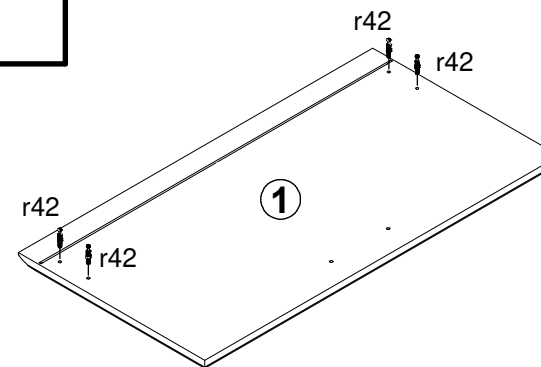
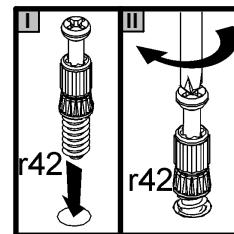
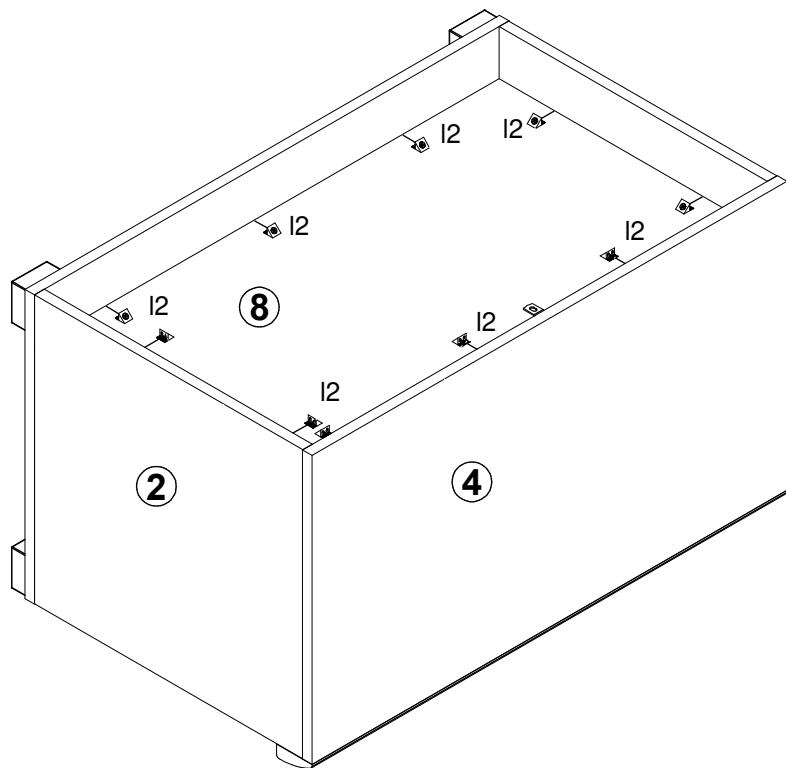
6 / 8

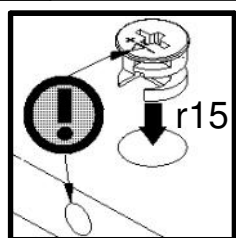


8

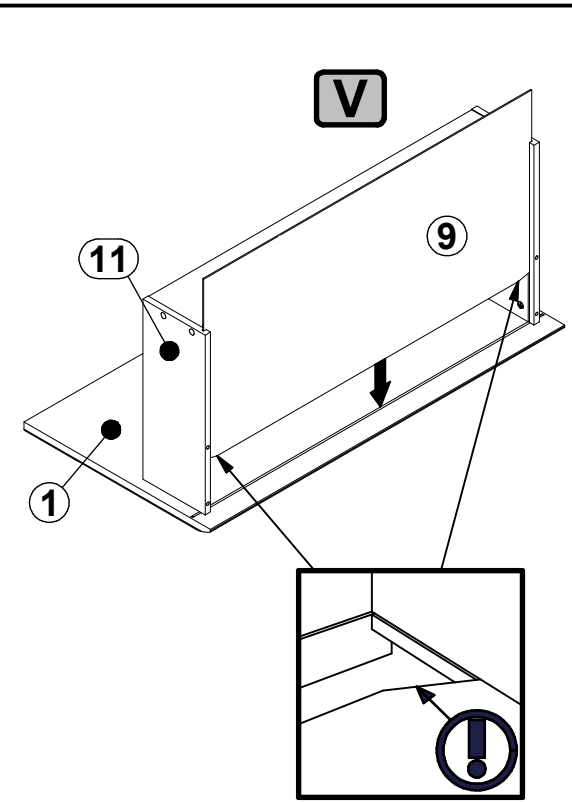
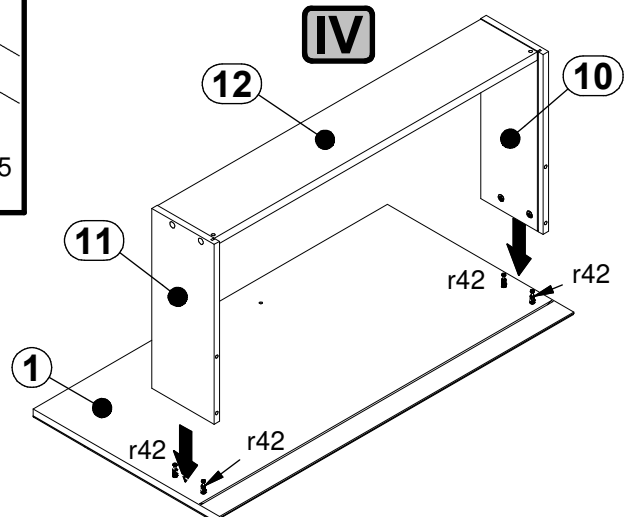
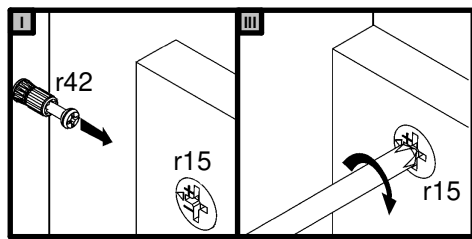
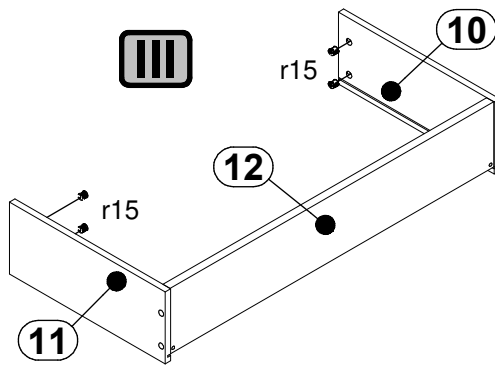


7

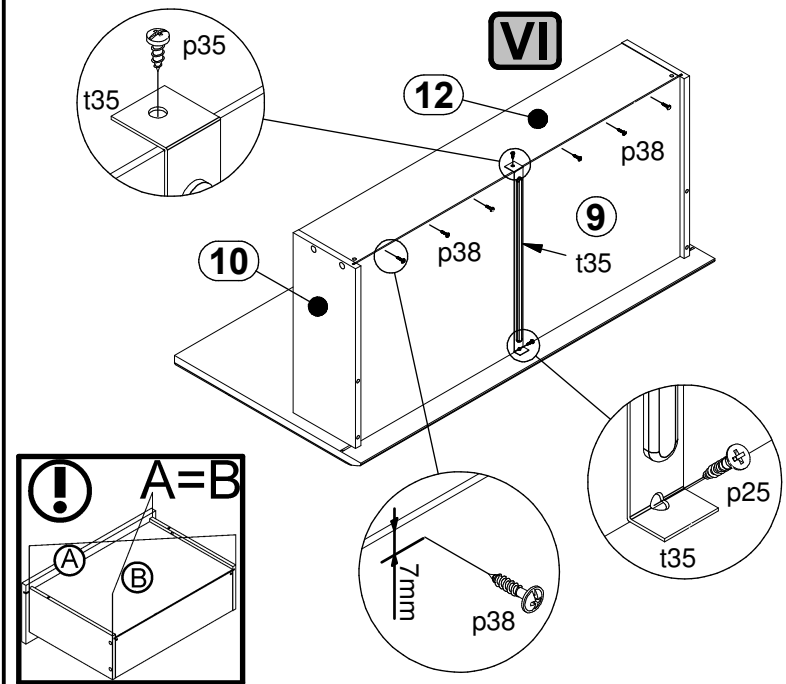




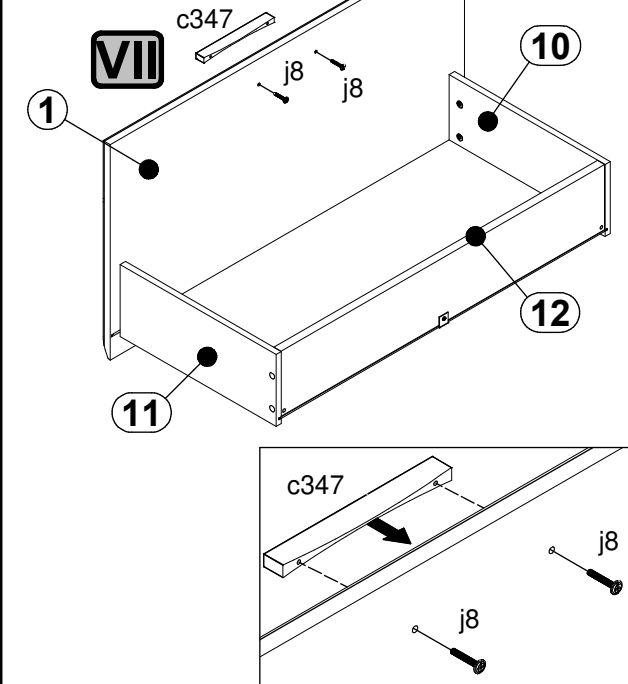
4x $\varnothing 12 \times 10,5 \text{ mm}$ #12 r15

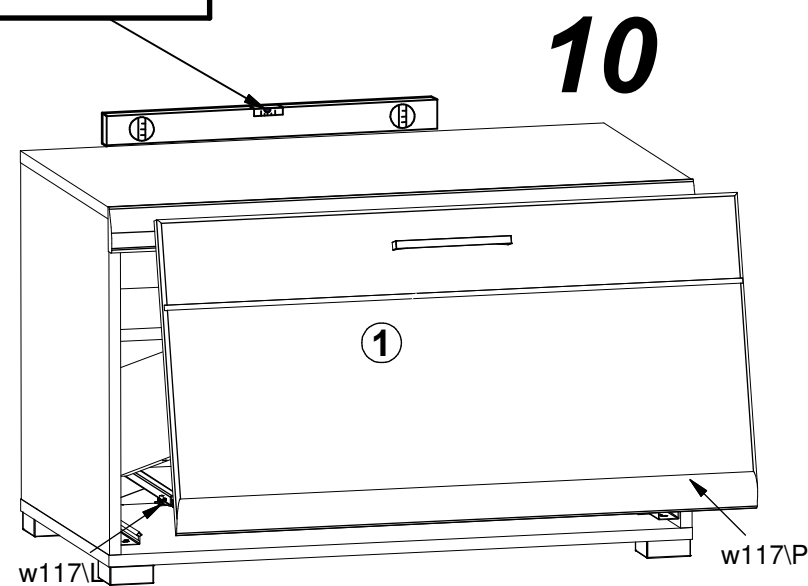
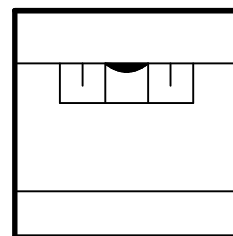
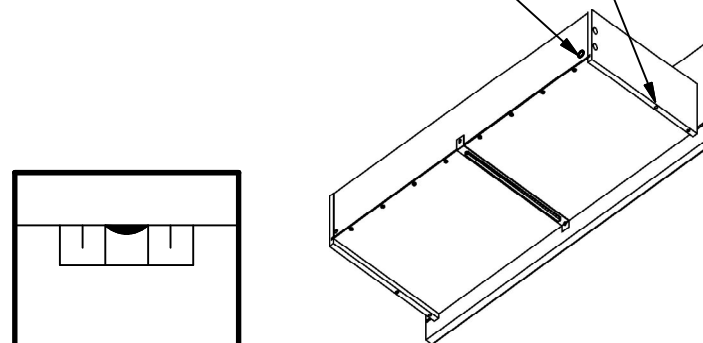
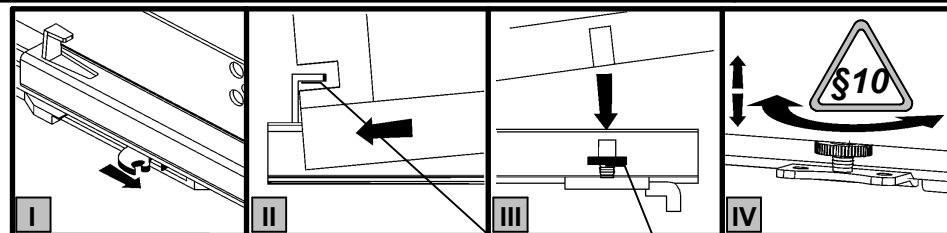
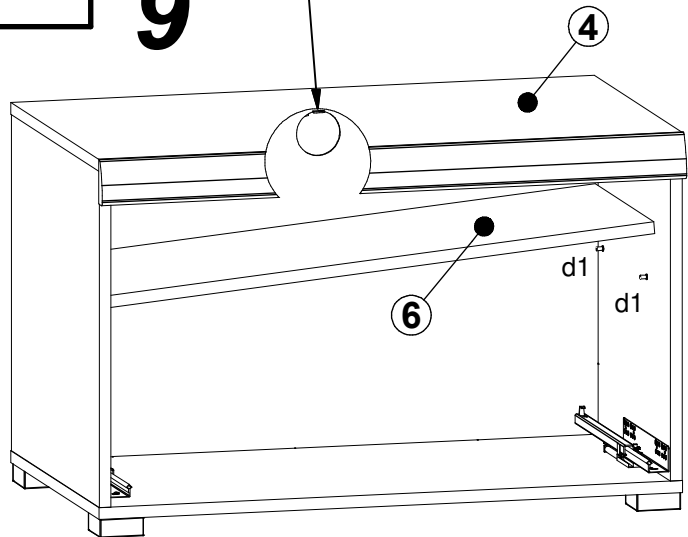
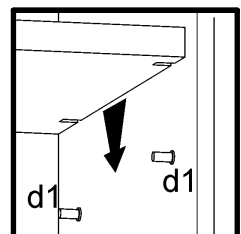
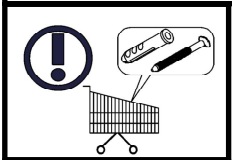
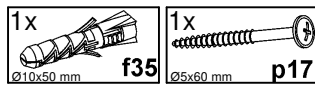
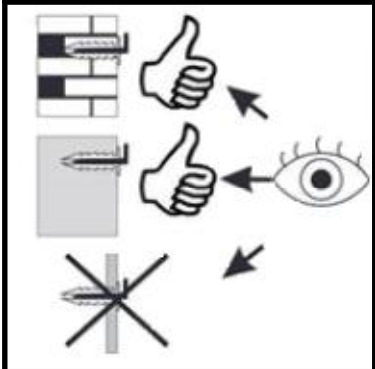
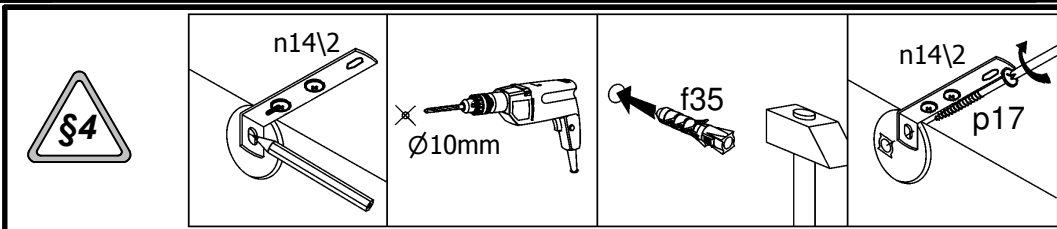


1x 350 mm t35
 1x $\varnothing 3,5 \times 16 \text{ mm}$ p25
 1x $\varnothing 3,5 \times 10 \text{ mm}$ p35
 6x $\varnothing 3,5 \times 16 \text{ mm}$ p38



1x c347
 2x M4x25 mm j8





10