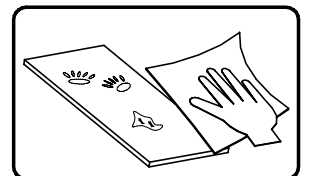
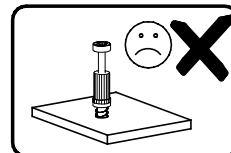
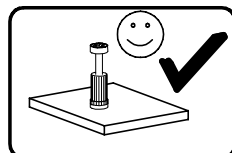
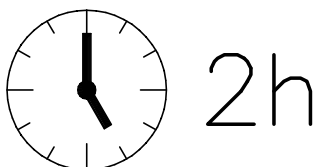
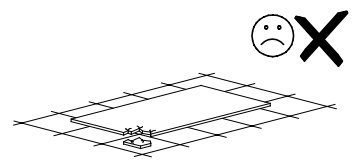
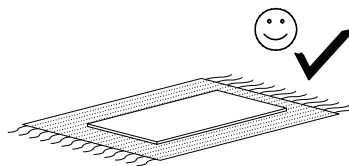
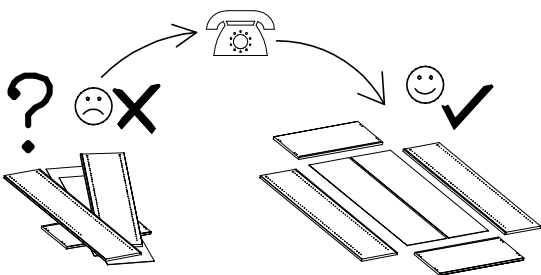
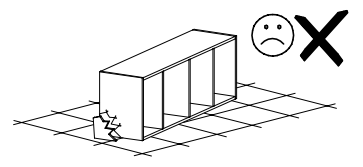
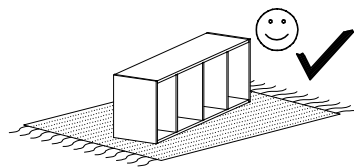
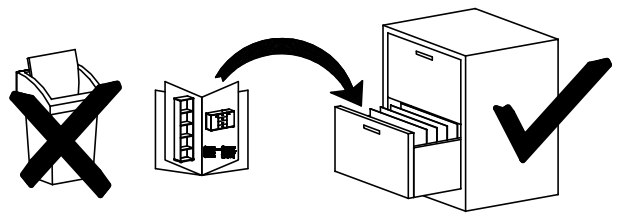
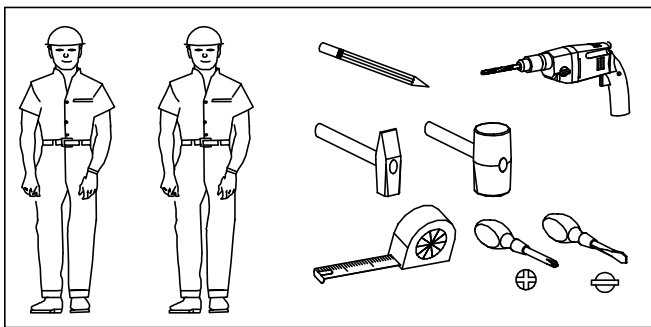
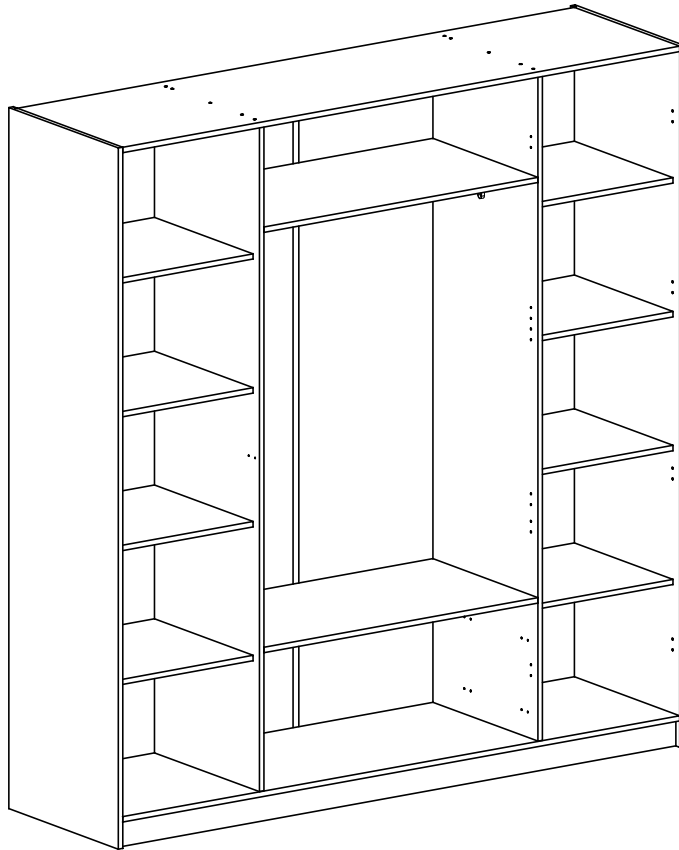
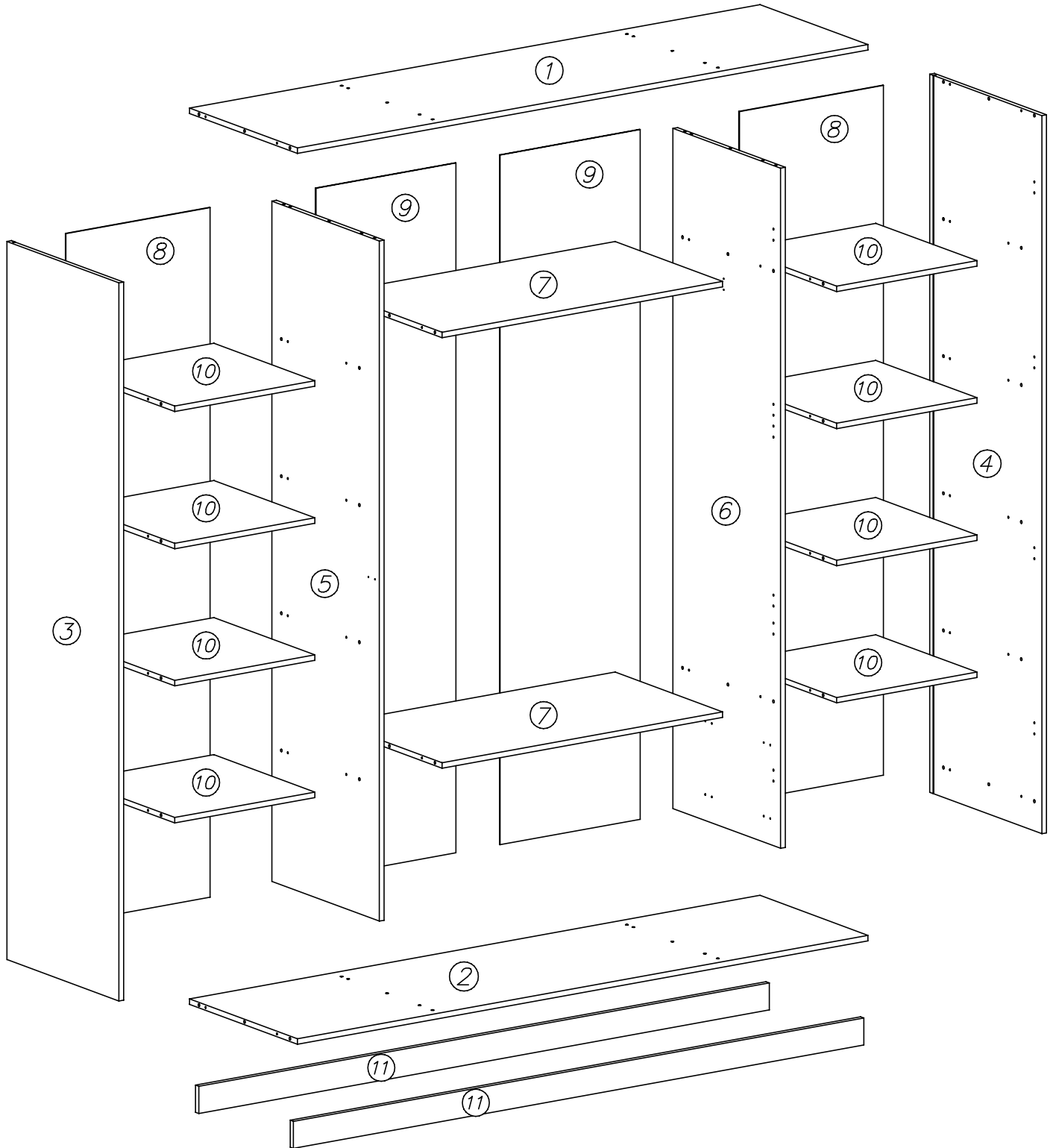
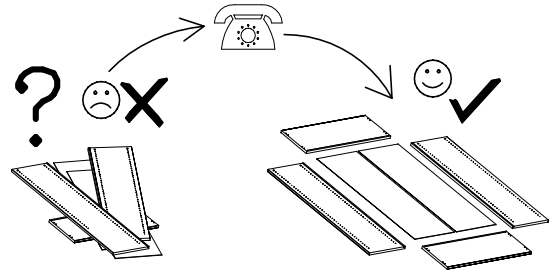
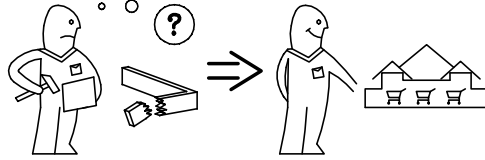
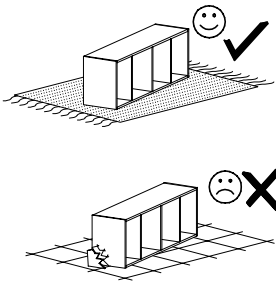
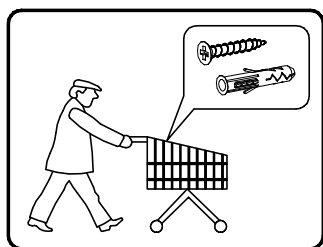
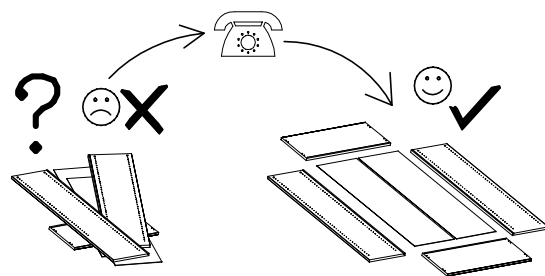
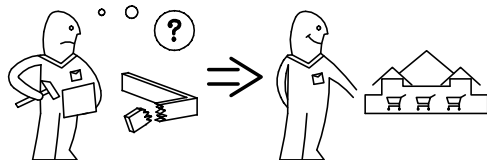
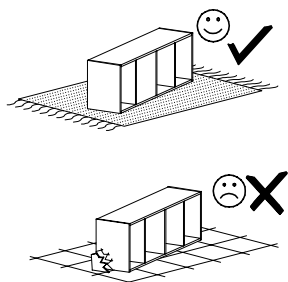




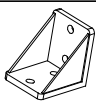
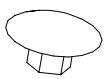


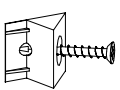

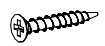
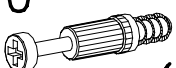

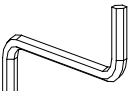
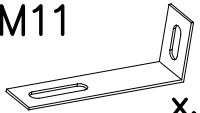

# AURORA szafa

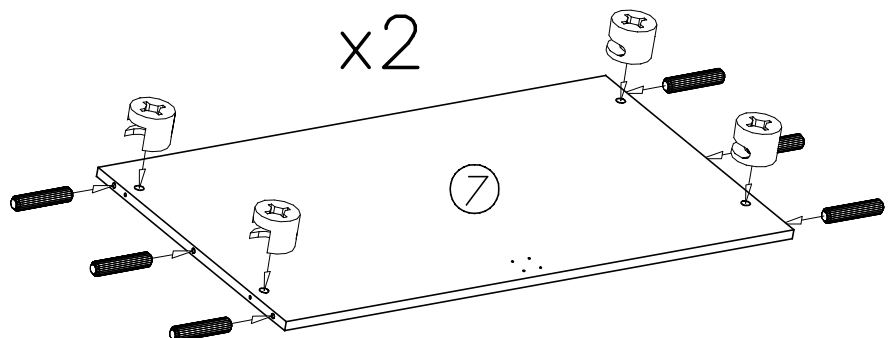
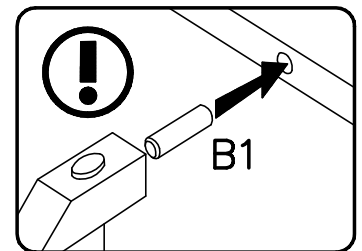
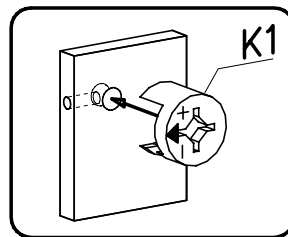
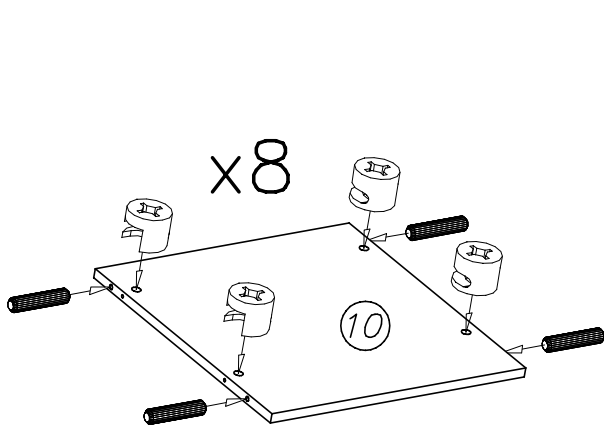
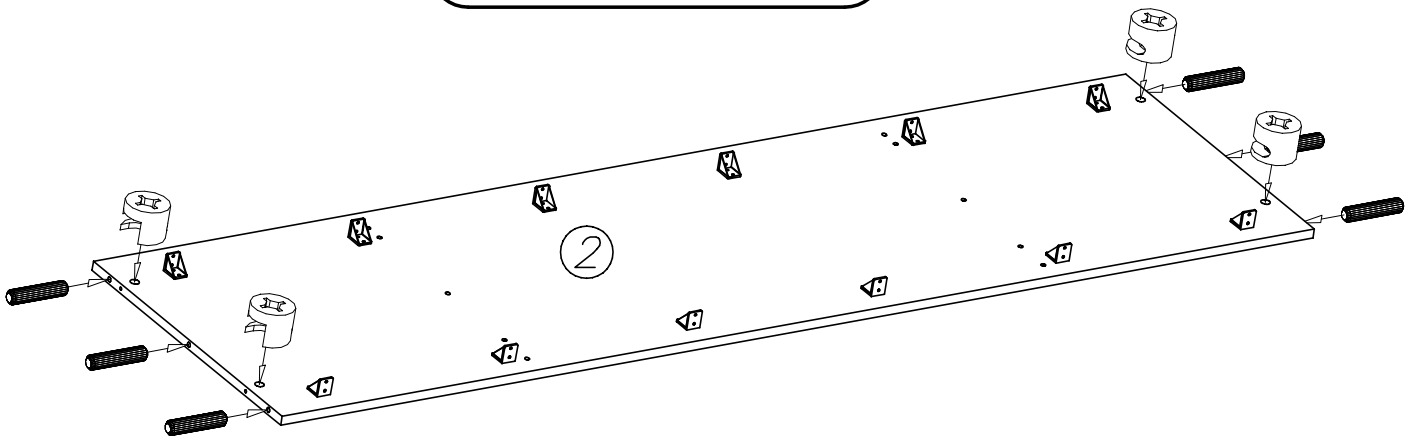
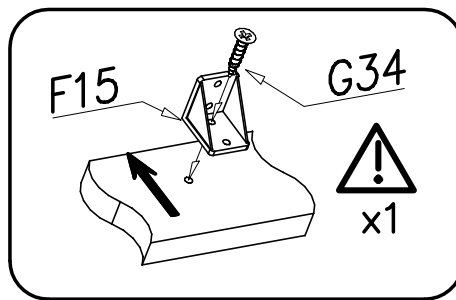
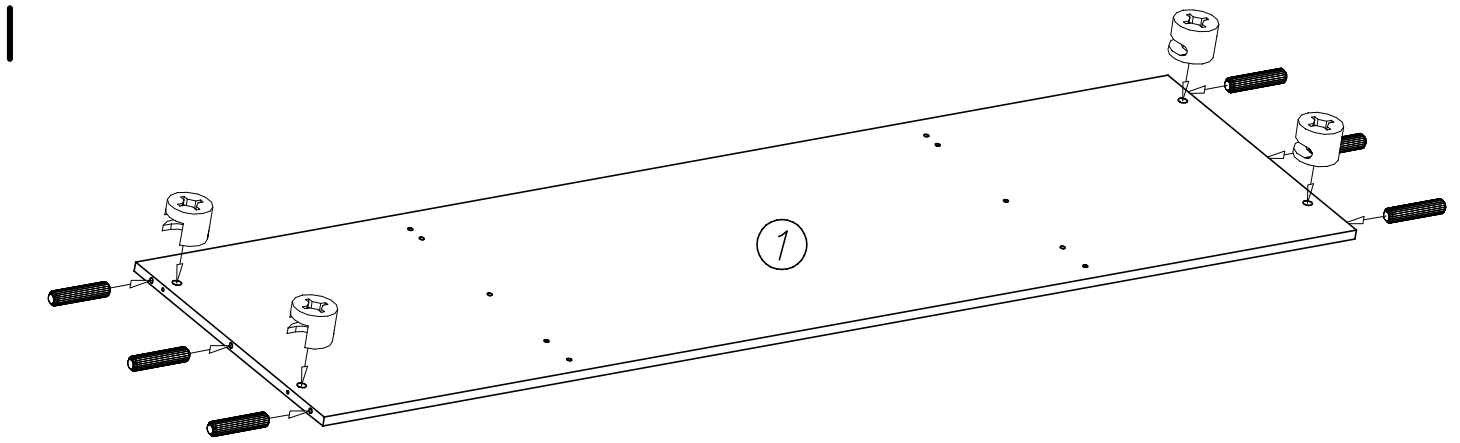


# AURORA szafa

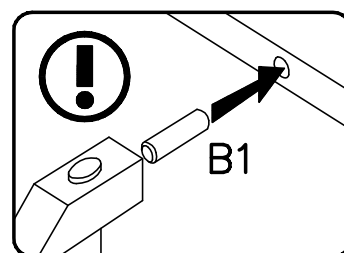
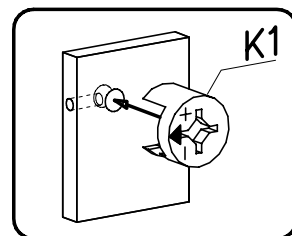
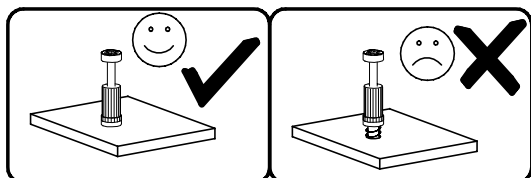
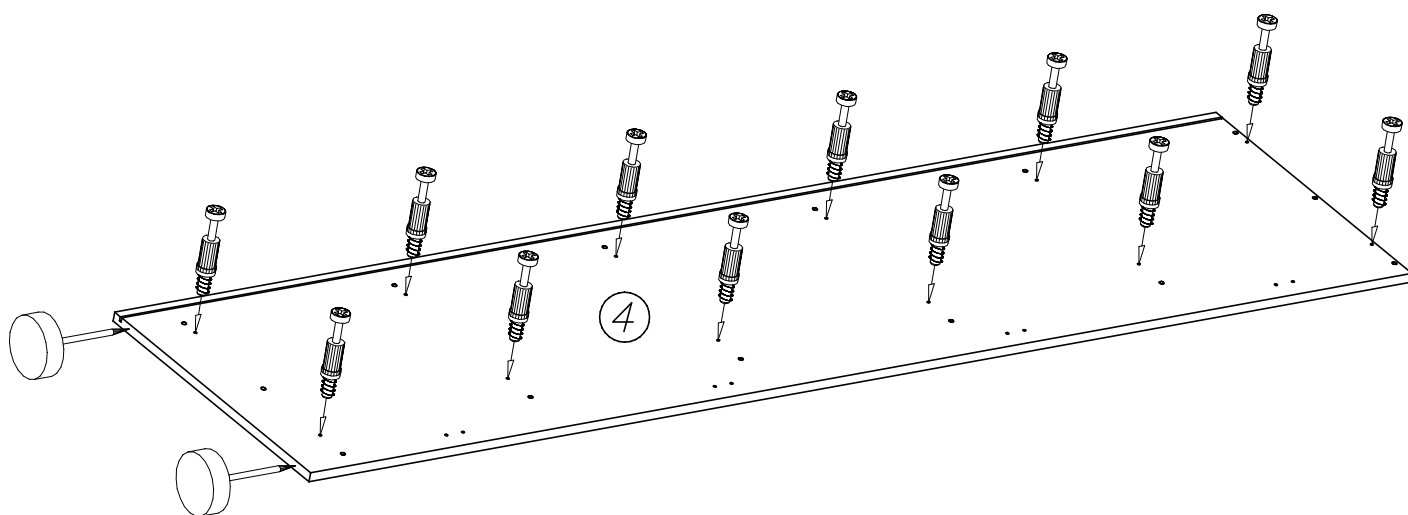
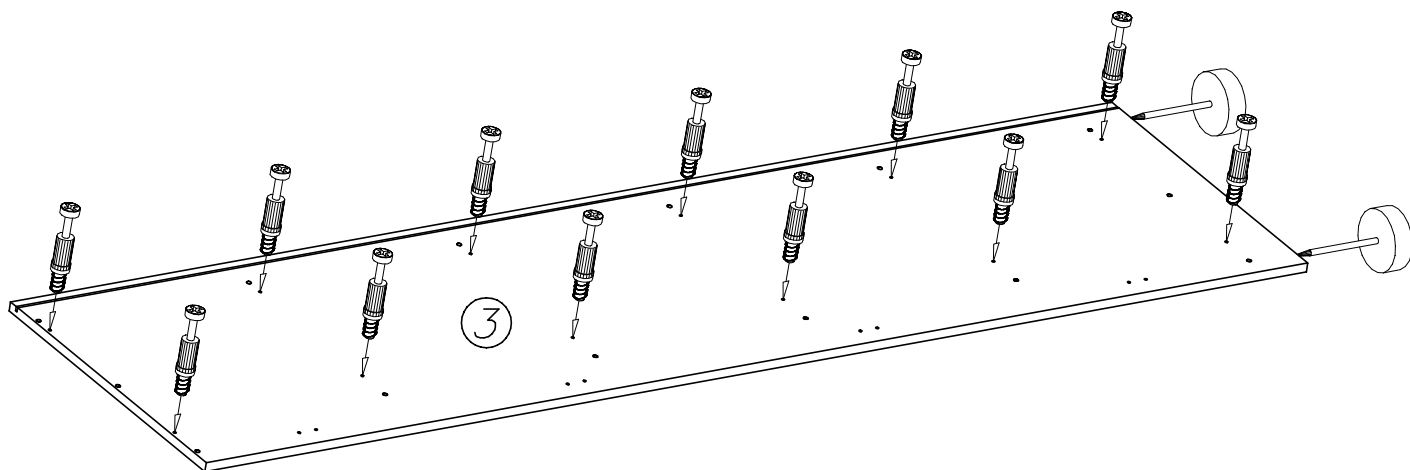




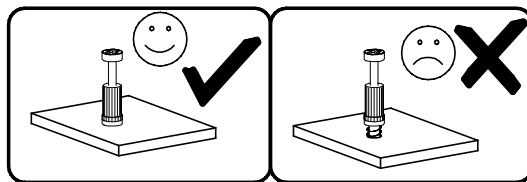
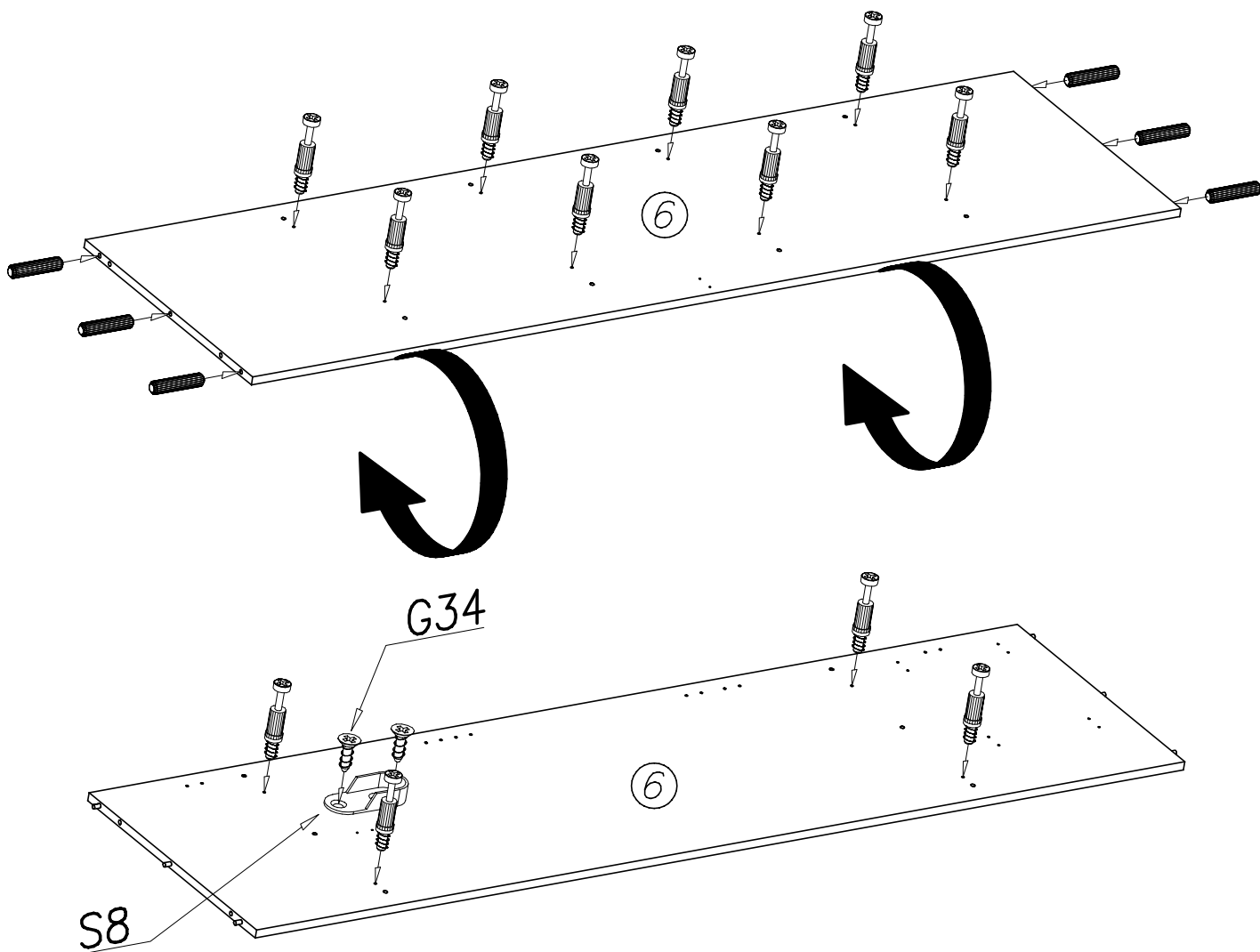
P4  x...(8)	G57  3,5x16 x...(68)	F15  x...(16)	I7  ø18 x...(48)	
K1  ø15x12 x...(48)	S1  1988mm x...(1)	I1  x...(10)	A1  ø7x50 x...(8)	G2  3x20 x...(126)
K10  x...(48)	B1  ø8x35 x...(68)	W2  x...(1)	M11  x...(2)	S2  x...(36)



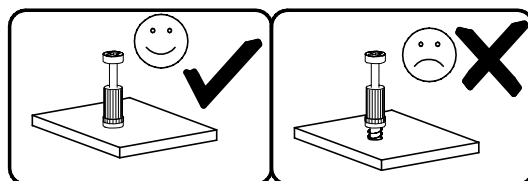
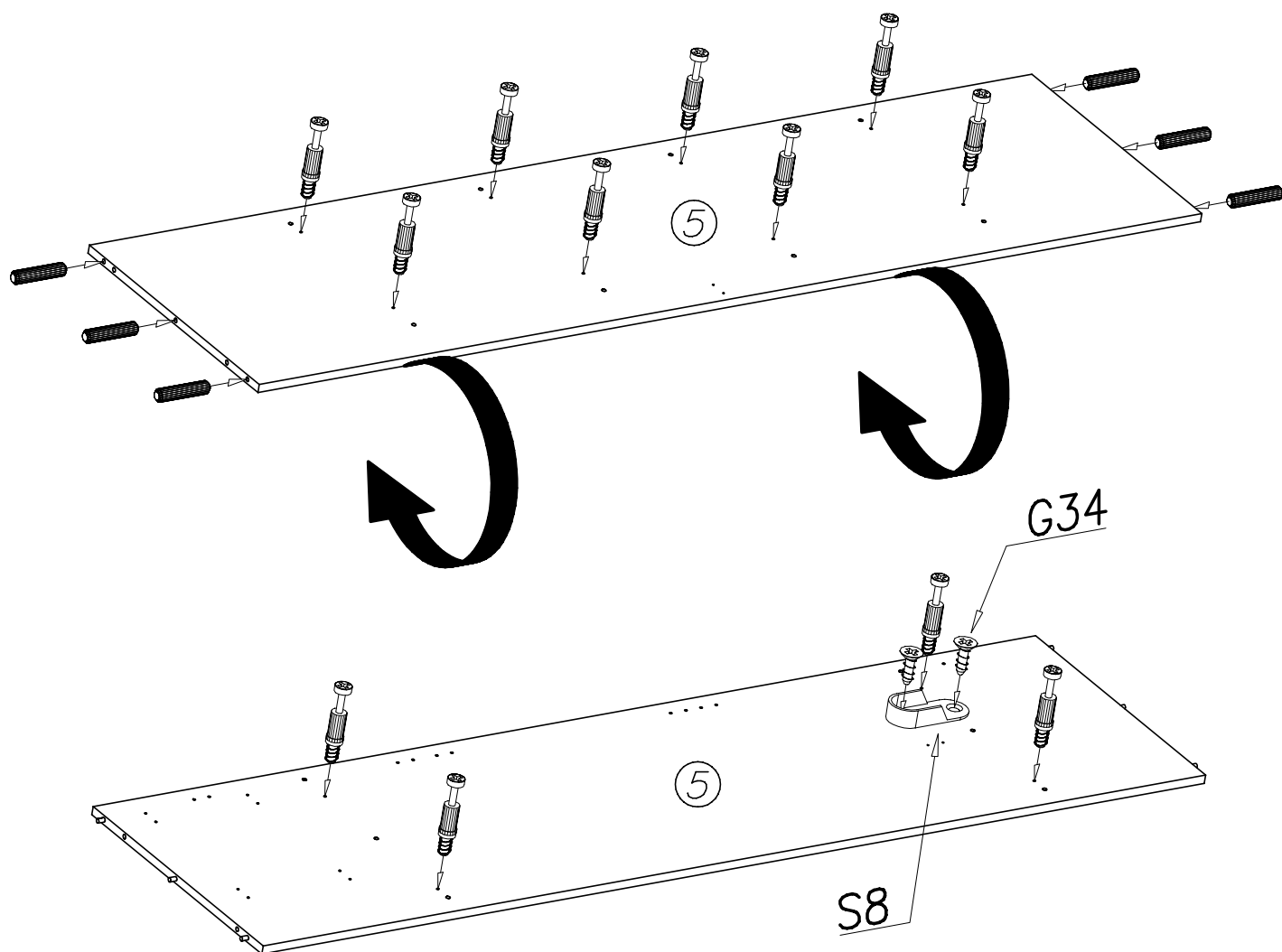
II



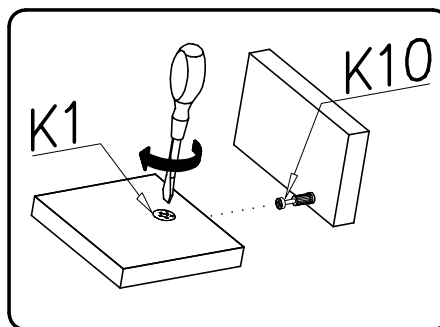
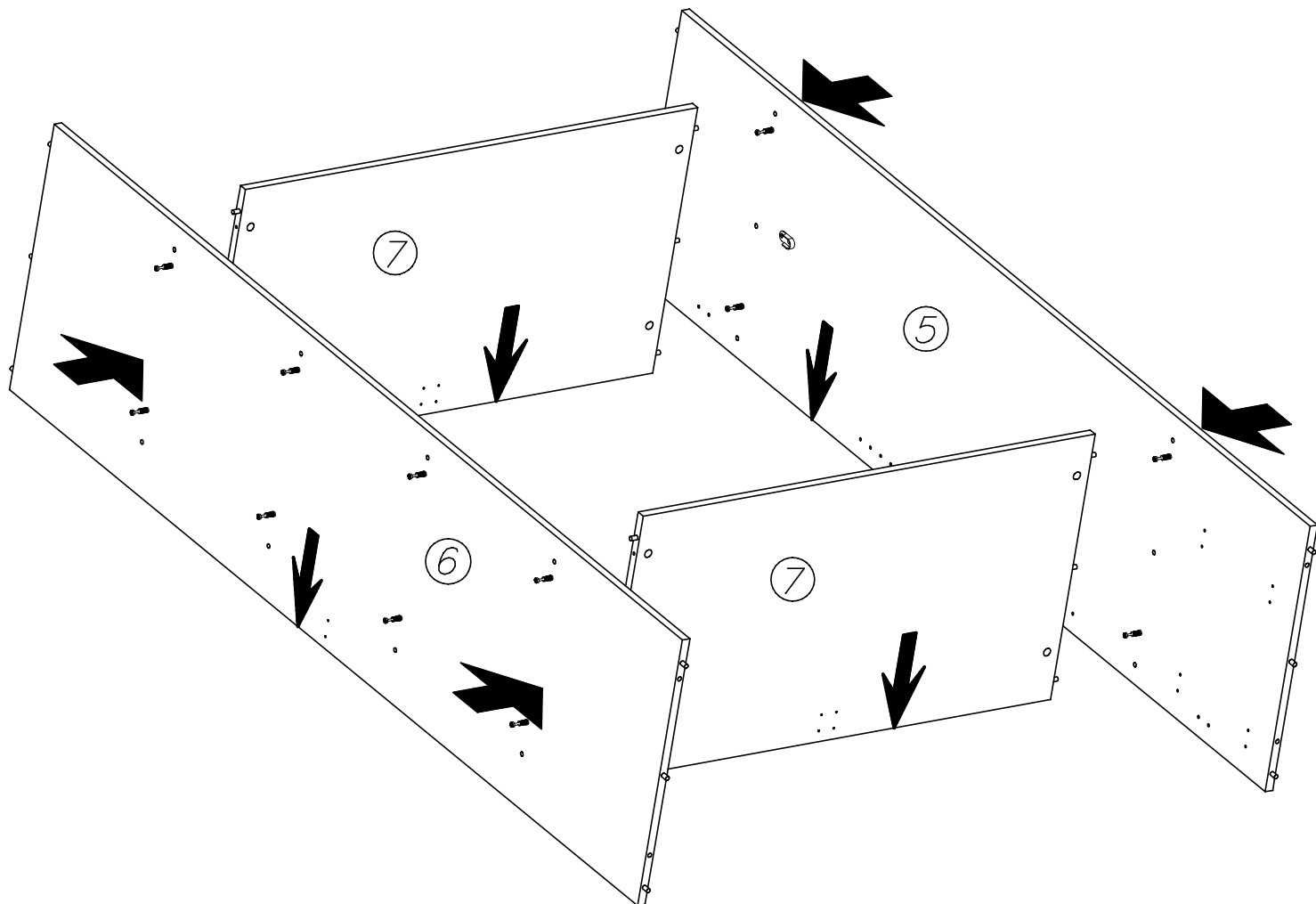
III



## IV

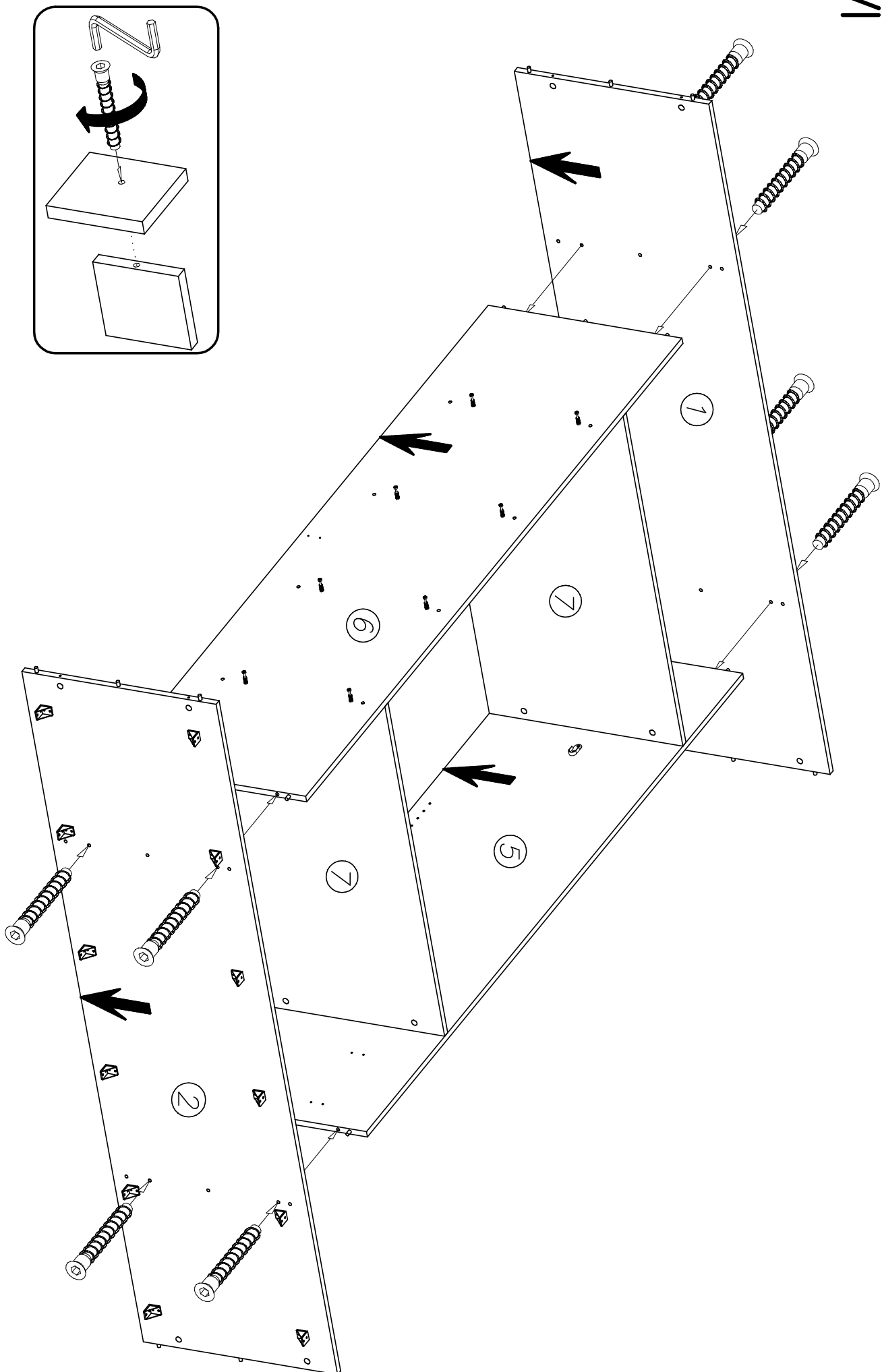


V

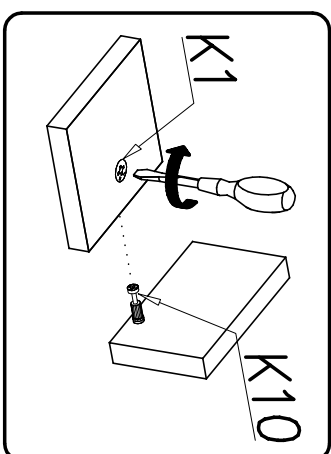
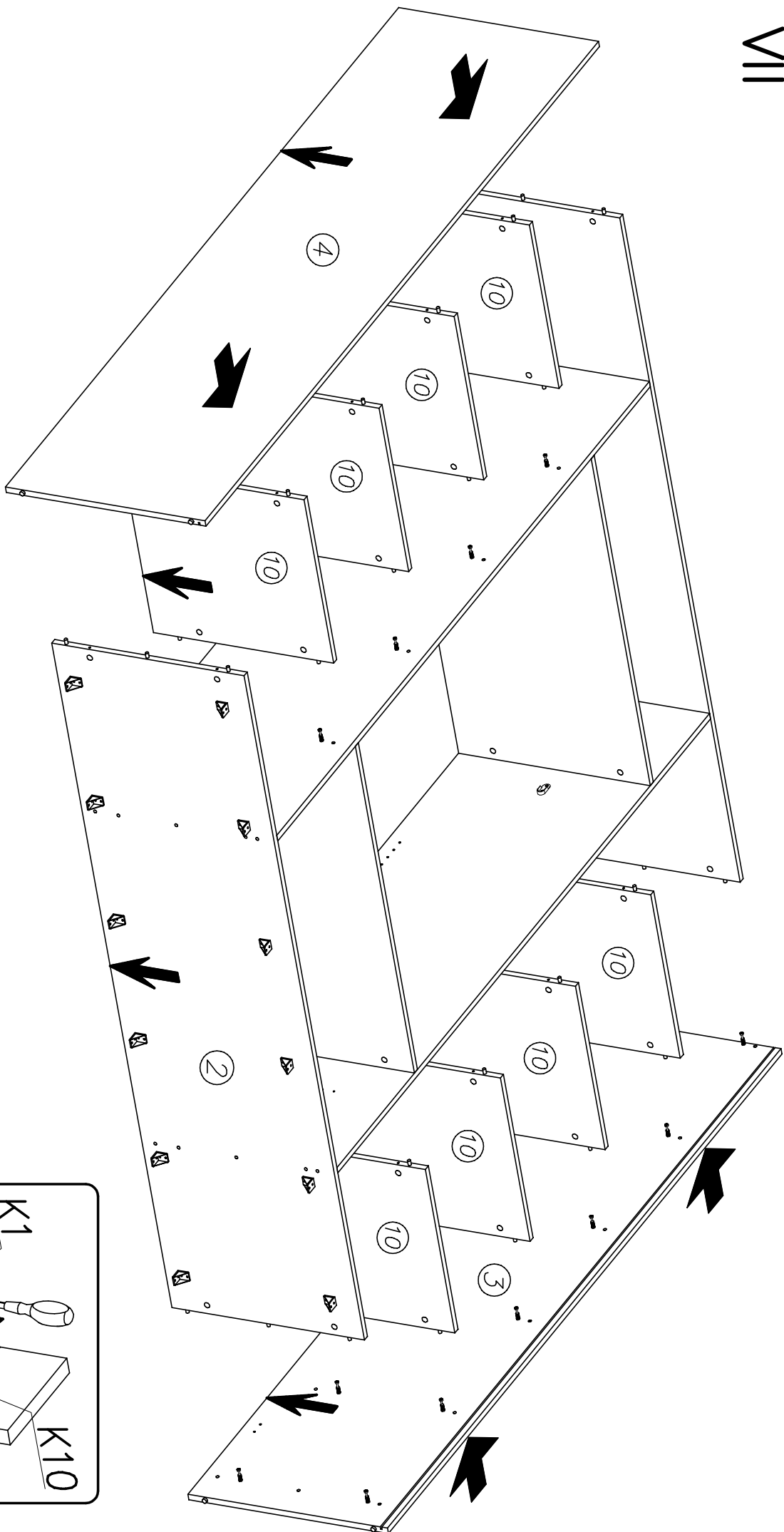




VI

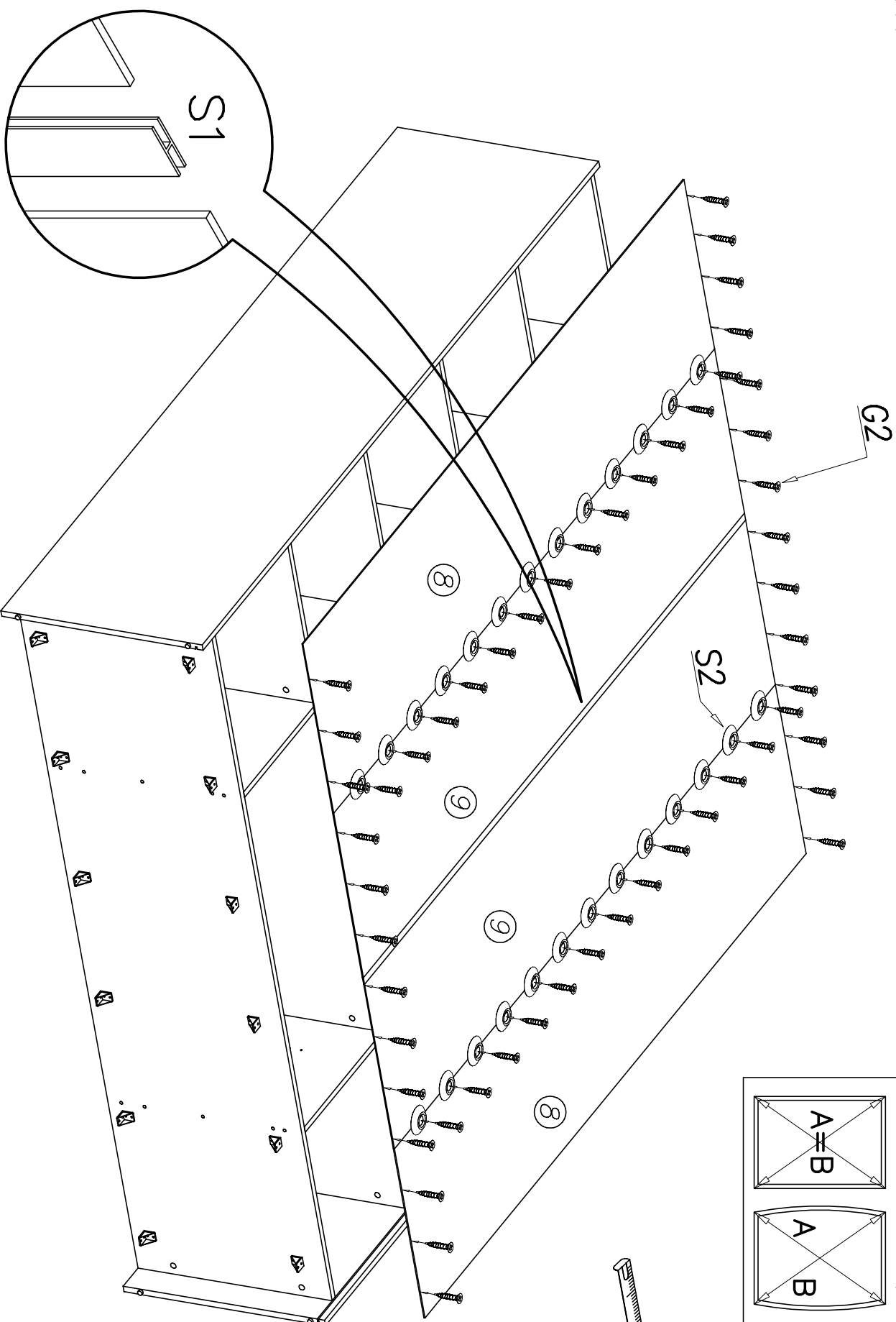
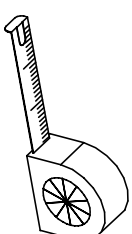
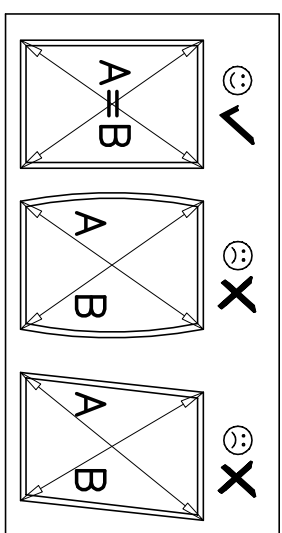


VII

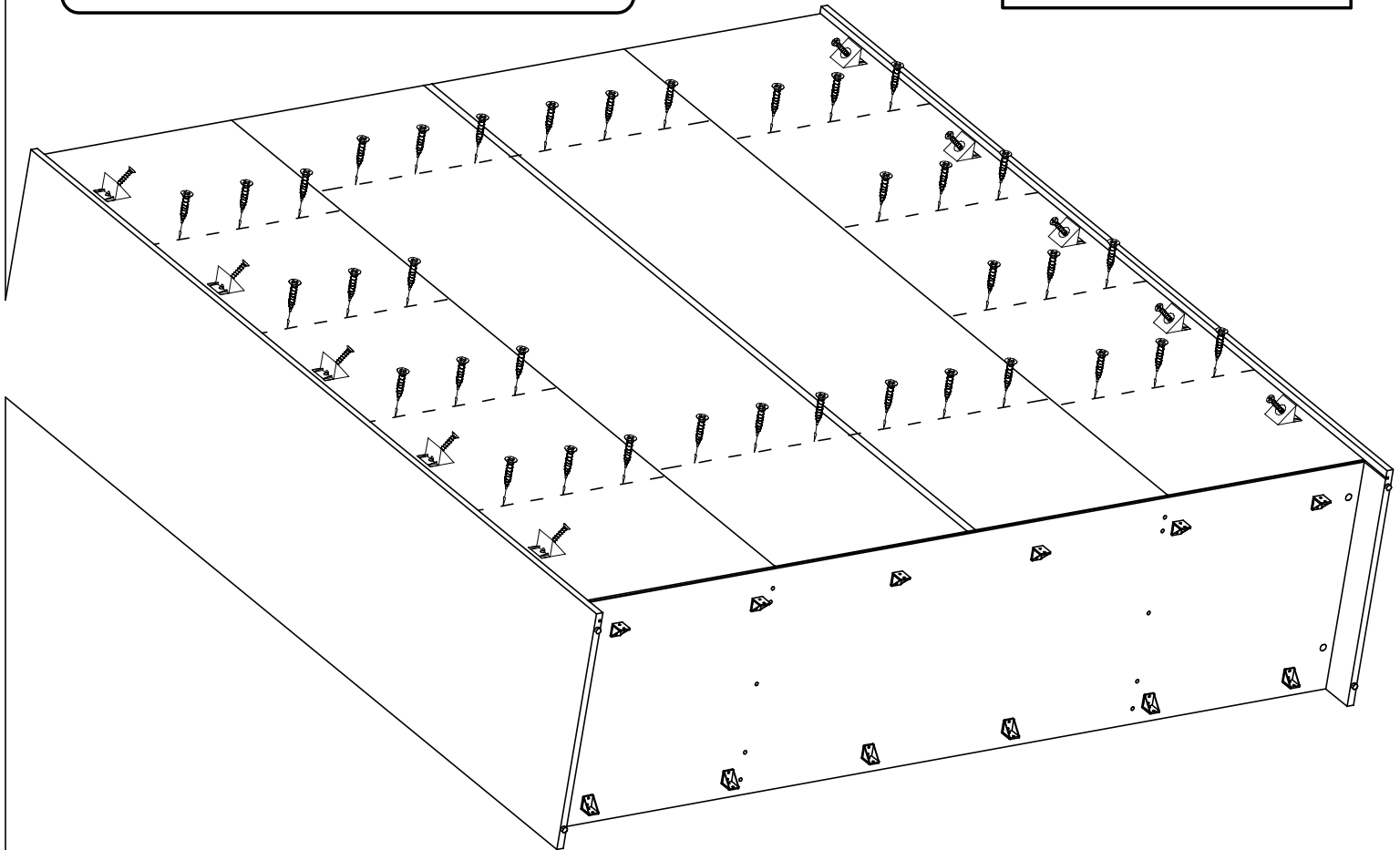
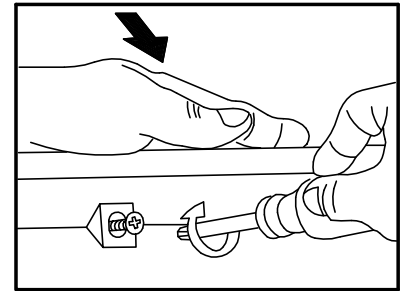
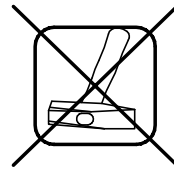
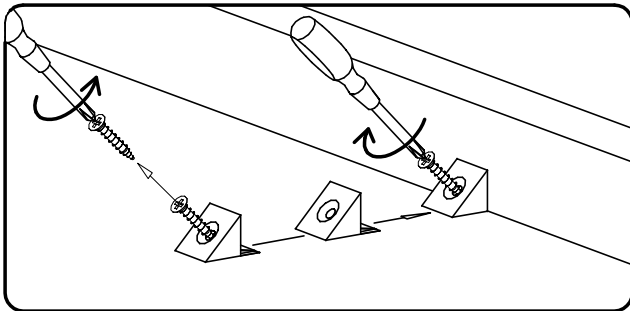
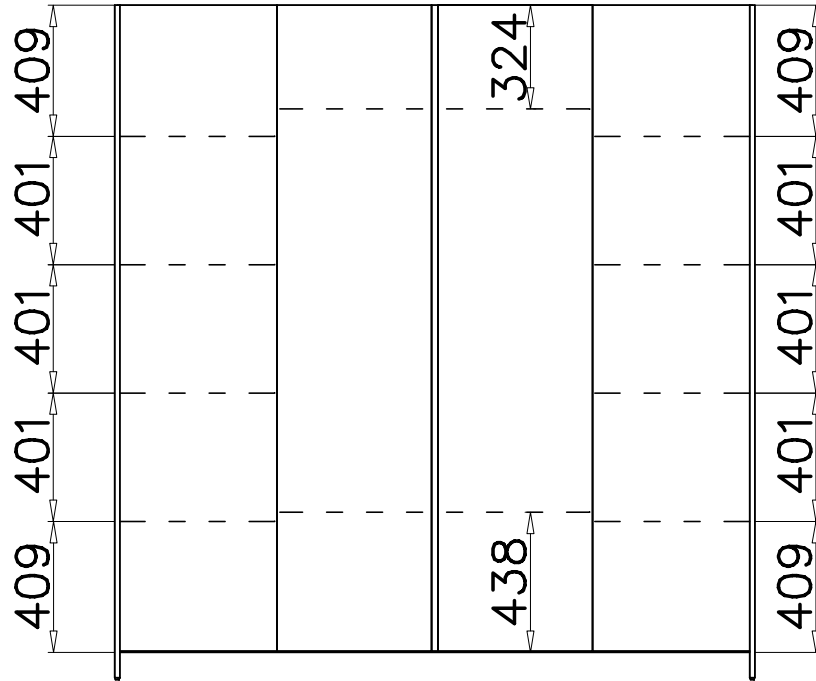


VIII

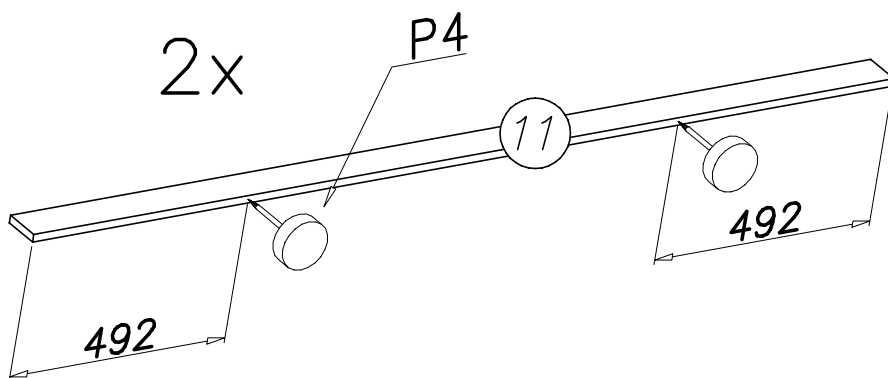
A=B



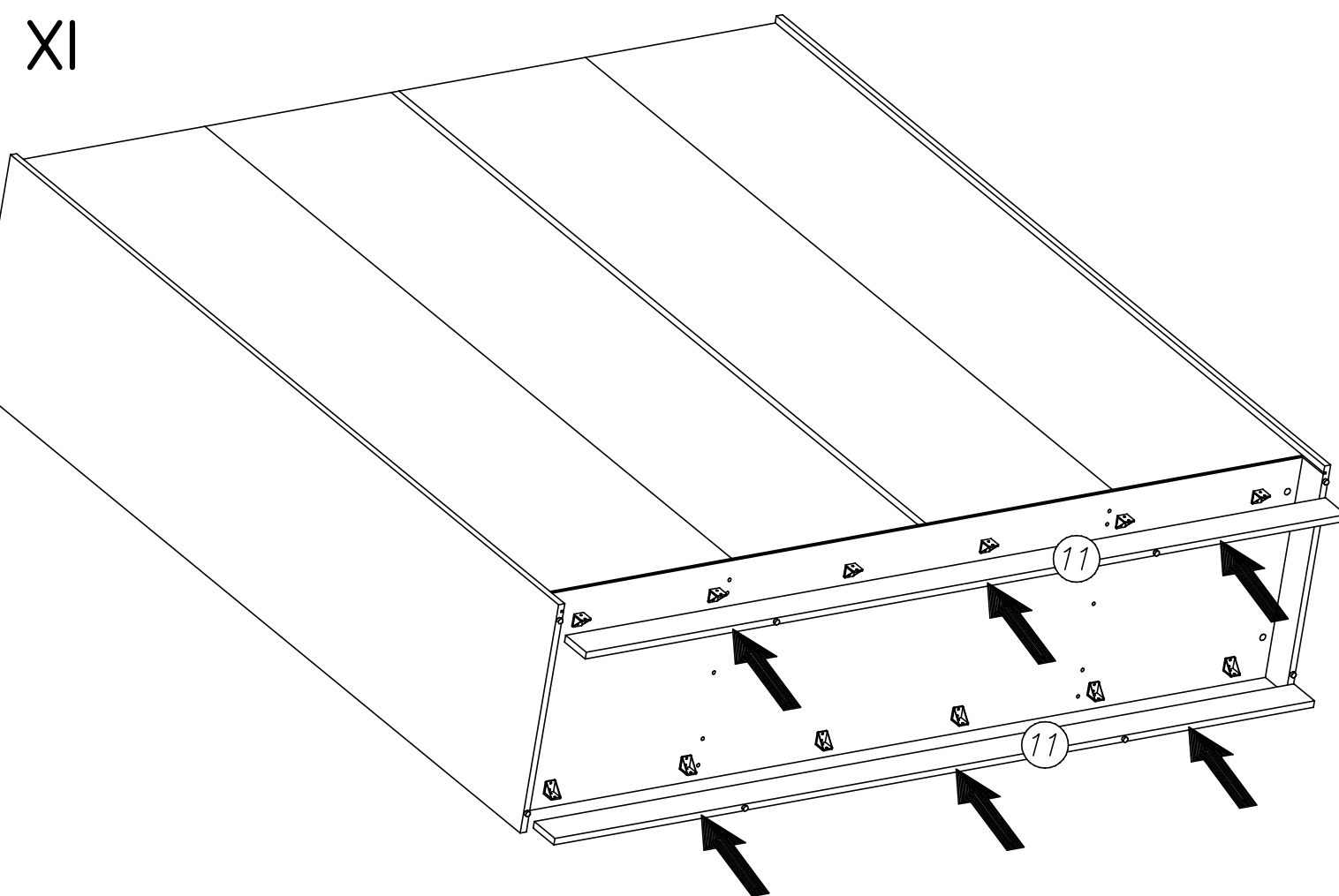
## IX



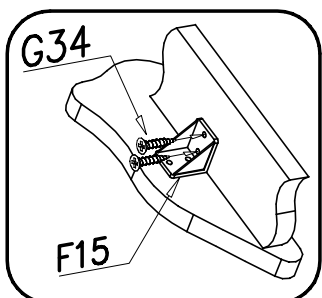
X



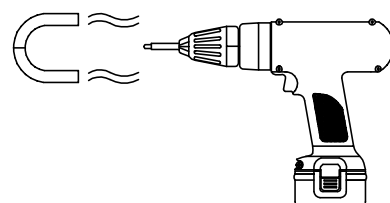
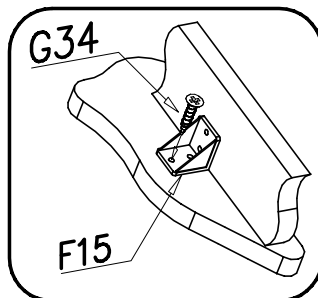
XI



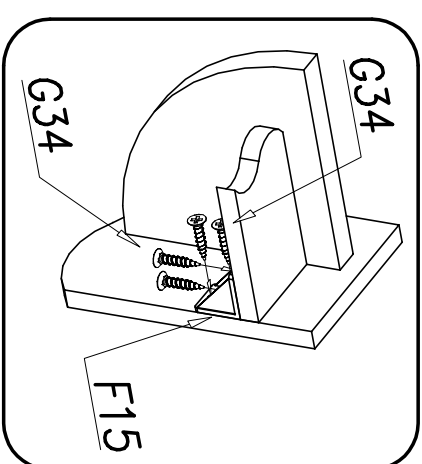
1.



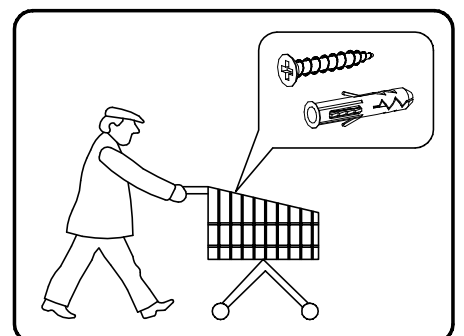
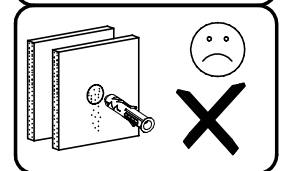
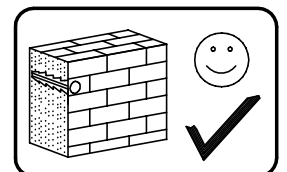
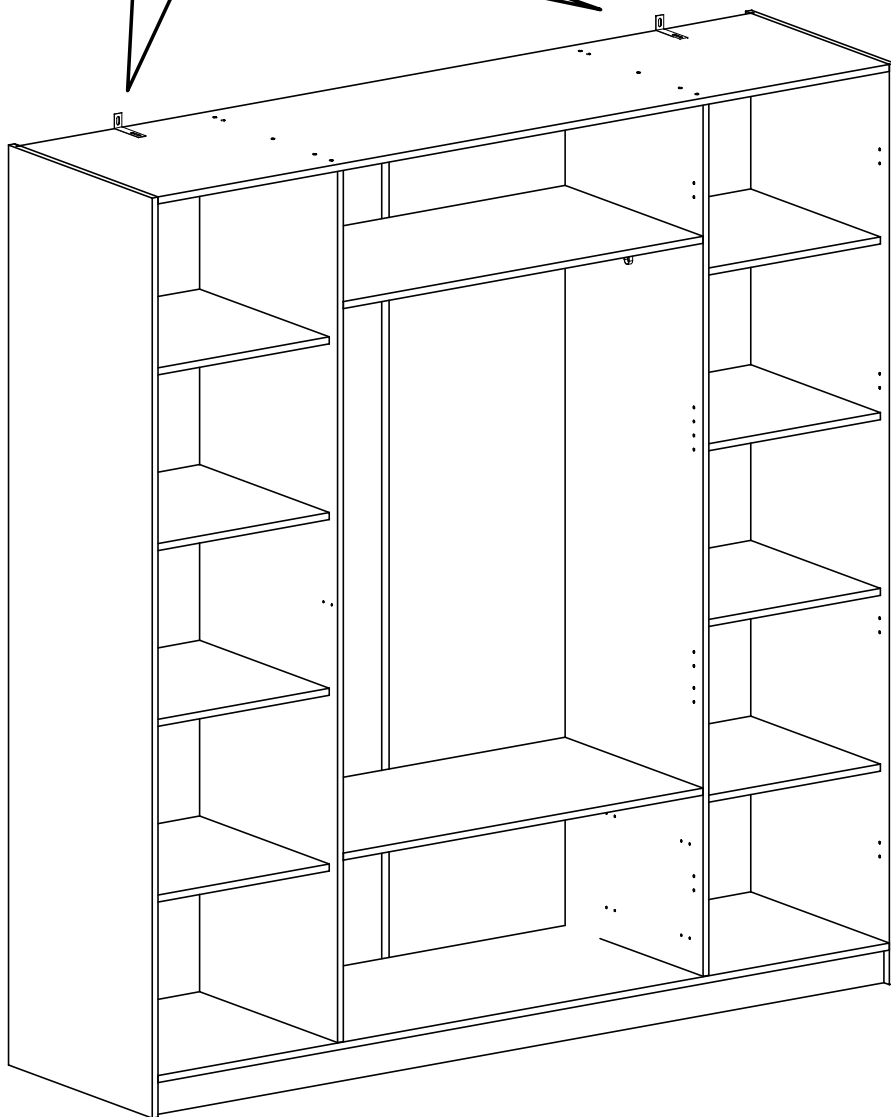
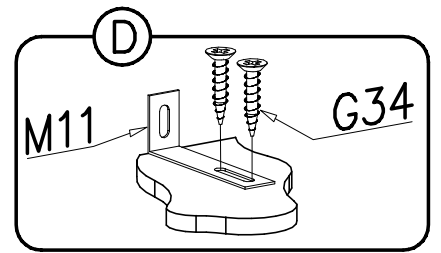
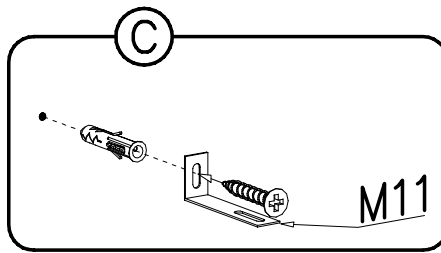
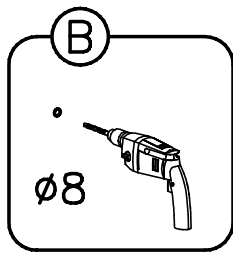
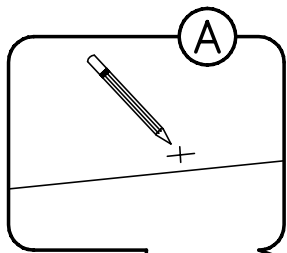
2.



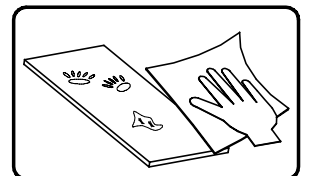
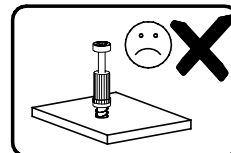
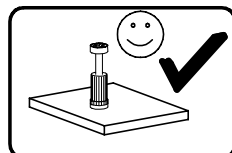
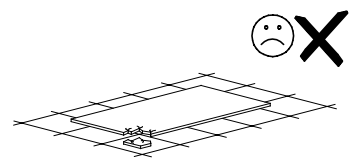
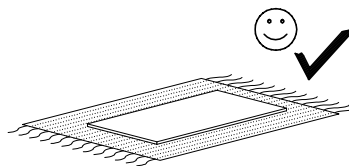
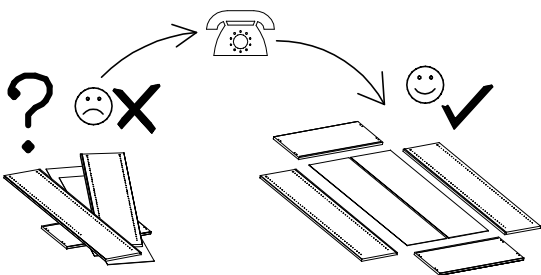
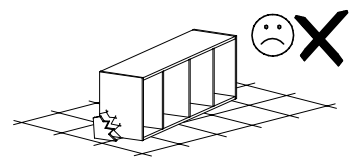
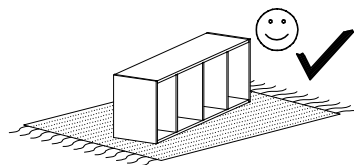
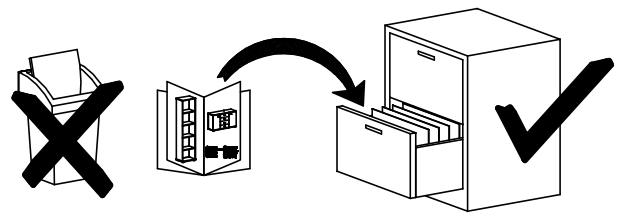
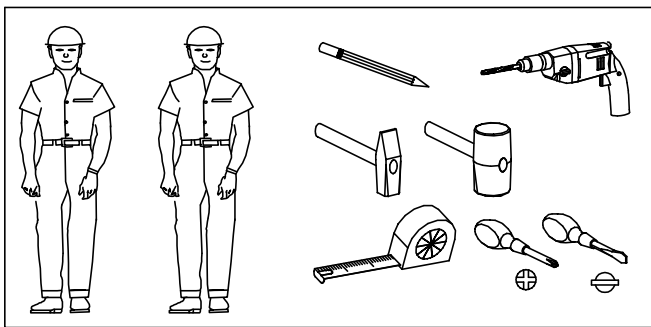
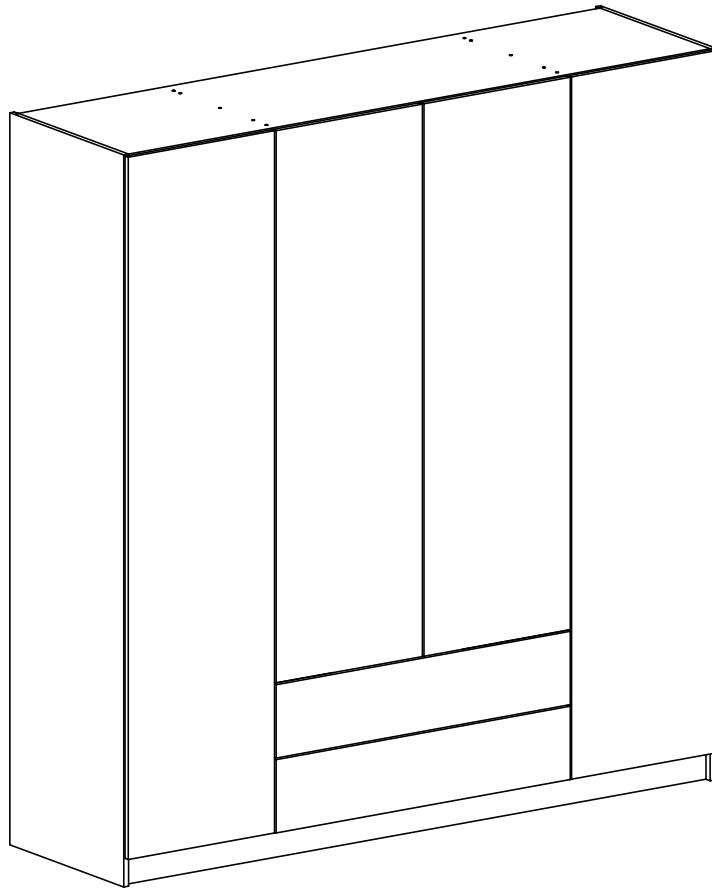
XIII



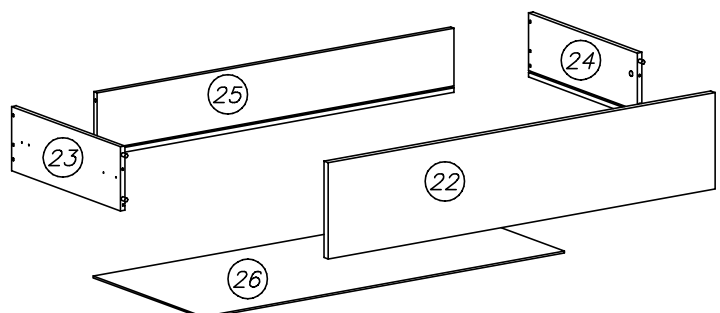
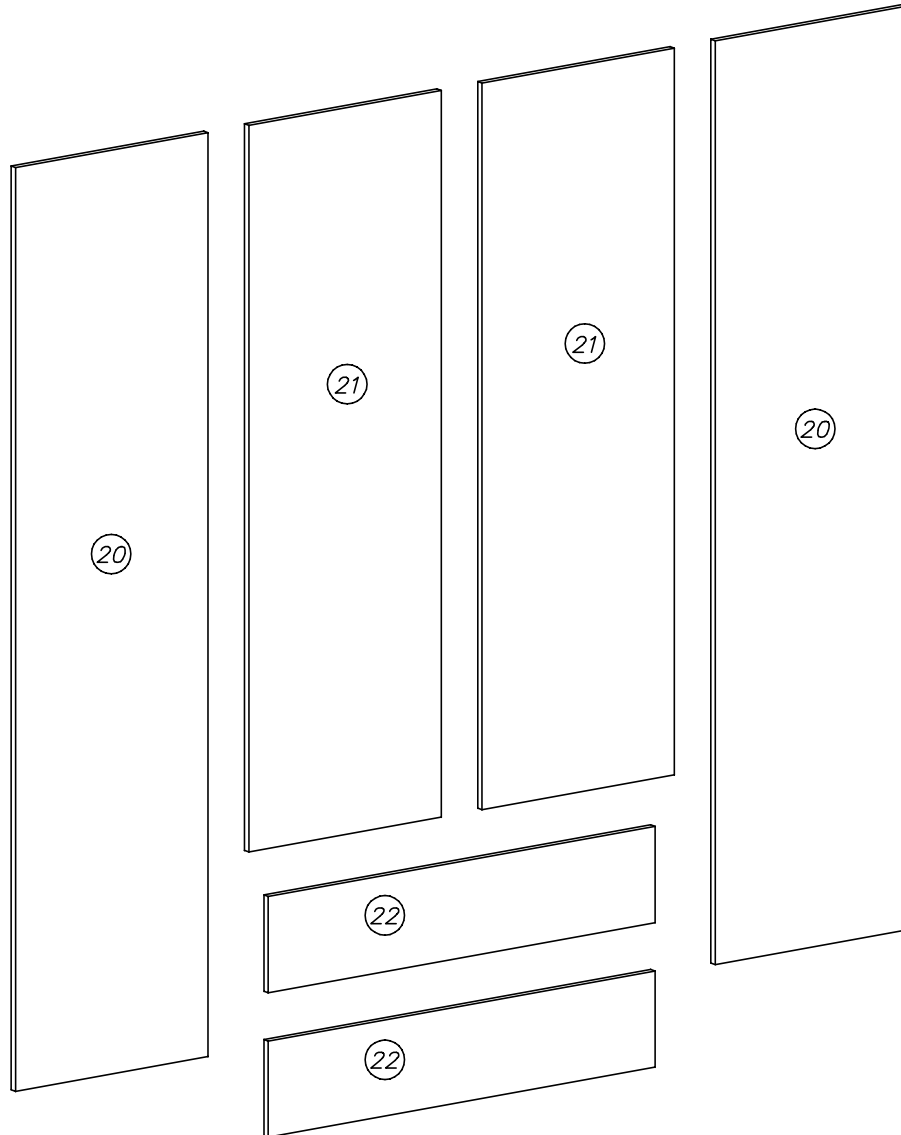
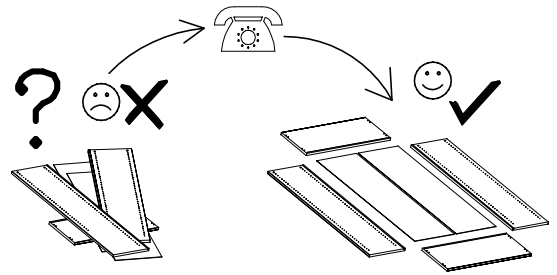
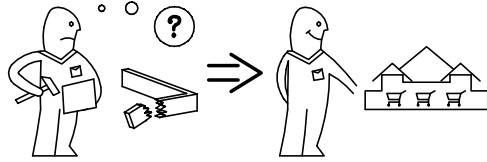
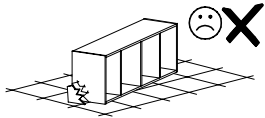
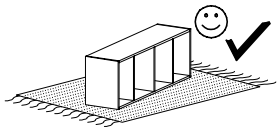
XIII

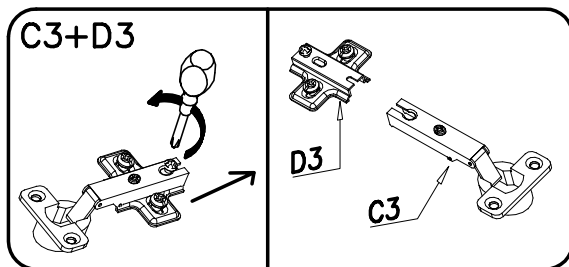
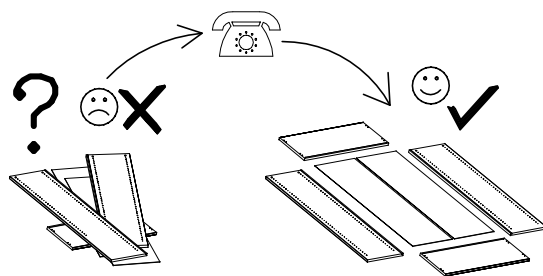
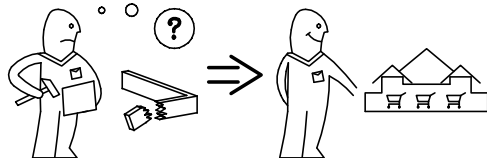
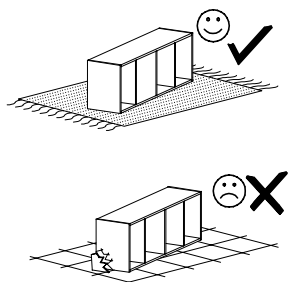


# AURORA szafa 4D2S push









<b>K4</b> Ø12x10 x...(4)	
<b>H24</b> H35-400mm x...(2)	
<b>K10</b> x...(4)	

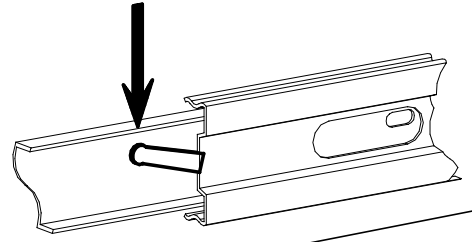
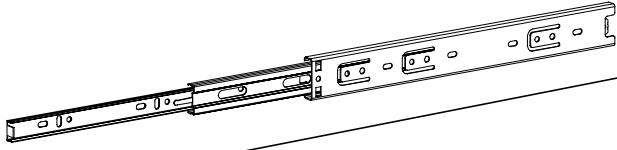
<b>C3</b> Z35PR x...(14)	
<b>D3</b> PZ35PR x...(14)	
<b>W1</b> x...(1)	

<b>G34</b> 3,5x16 x...(32)	
<b>G10</b> 6x13 x...(8)	
<b>W2</b> x...(1)	

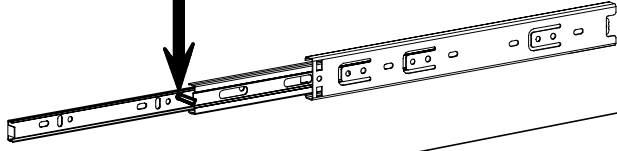
<b>G57</b> 3,5x16 x...(16)	
<b>M8</b> 400mm x...(2)	
<b>G20</b> 5x11 x...(8)	

<b>L14</b> x...(8)	
<b>A6</b> Ø7x40 x...(8)	

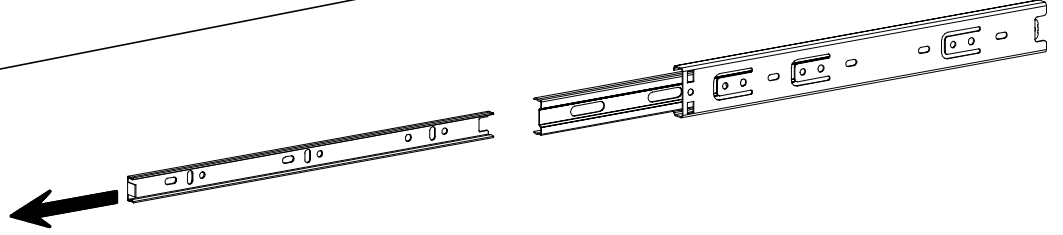
A



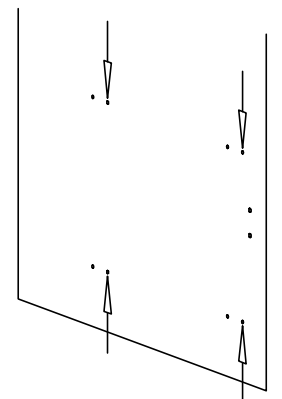
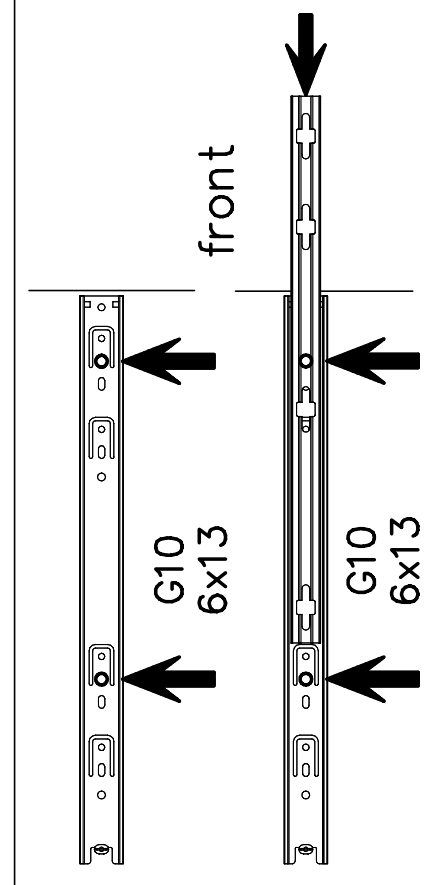
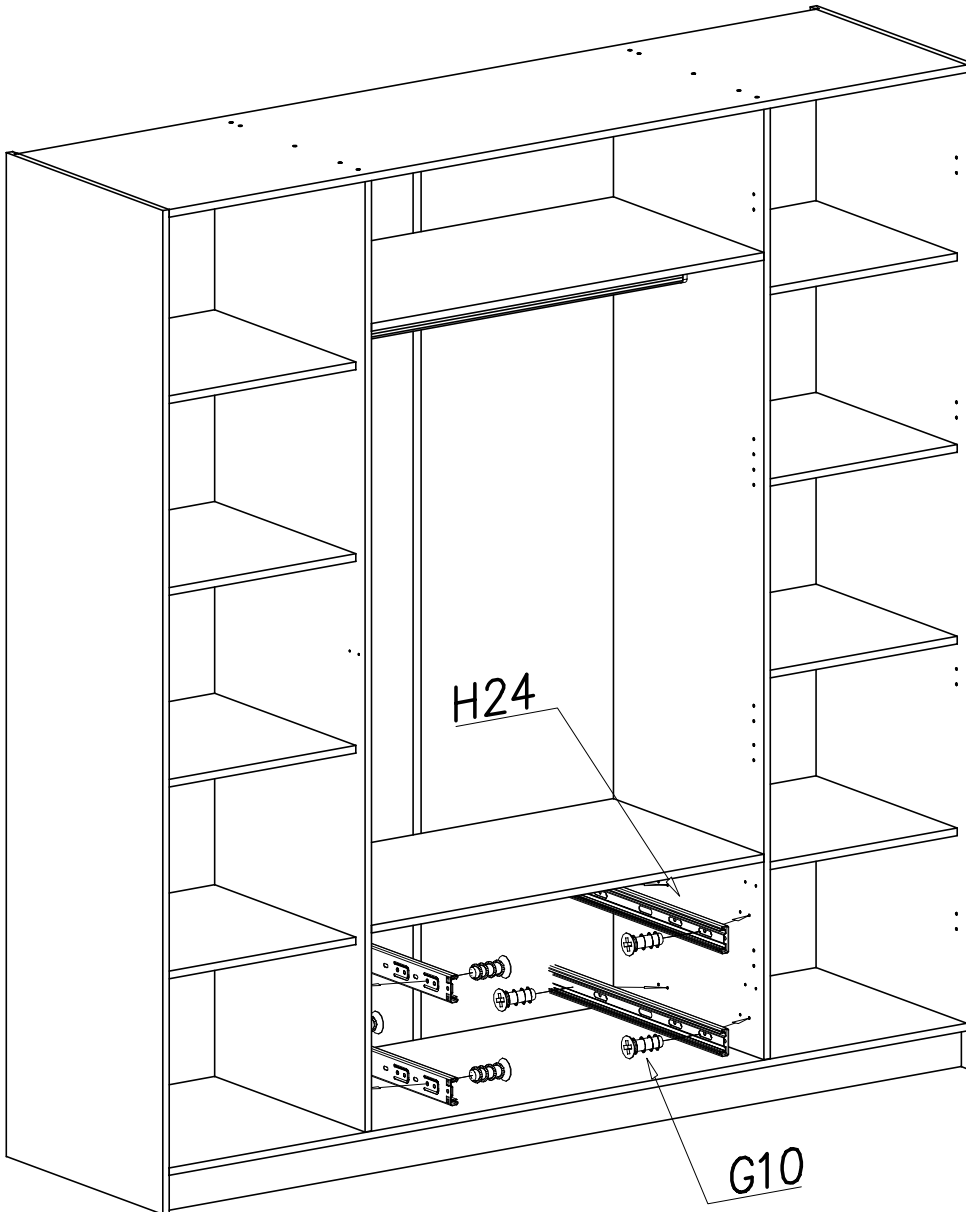
B



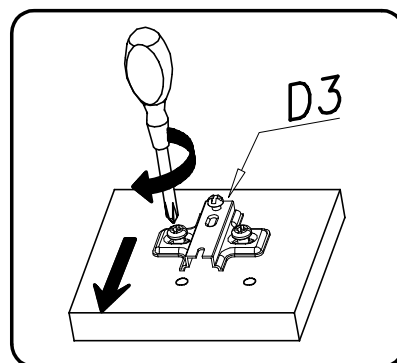
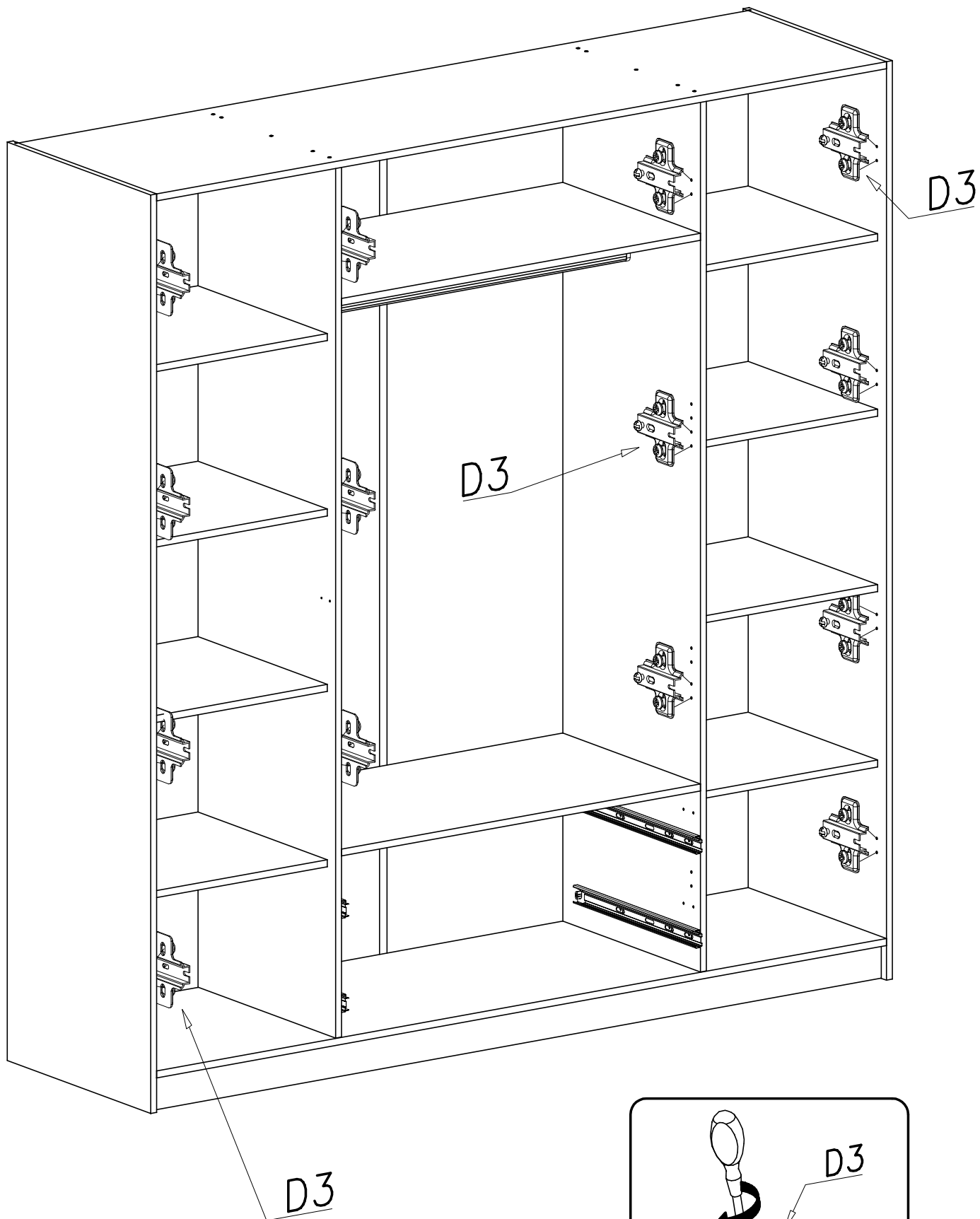
C



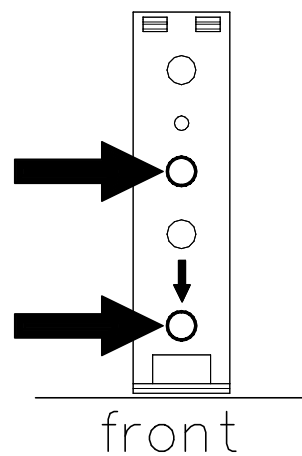
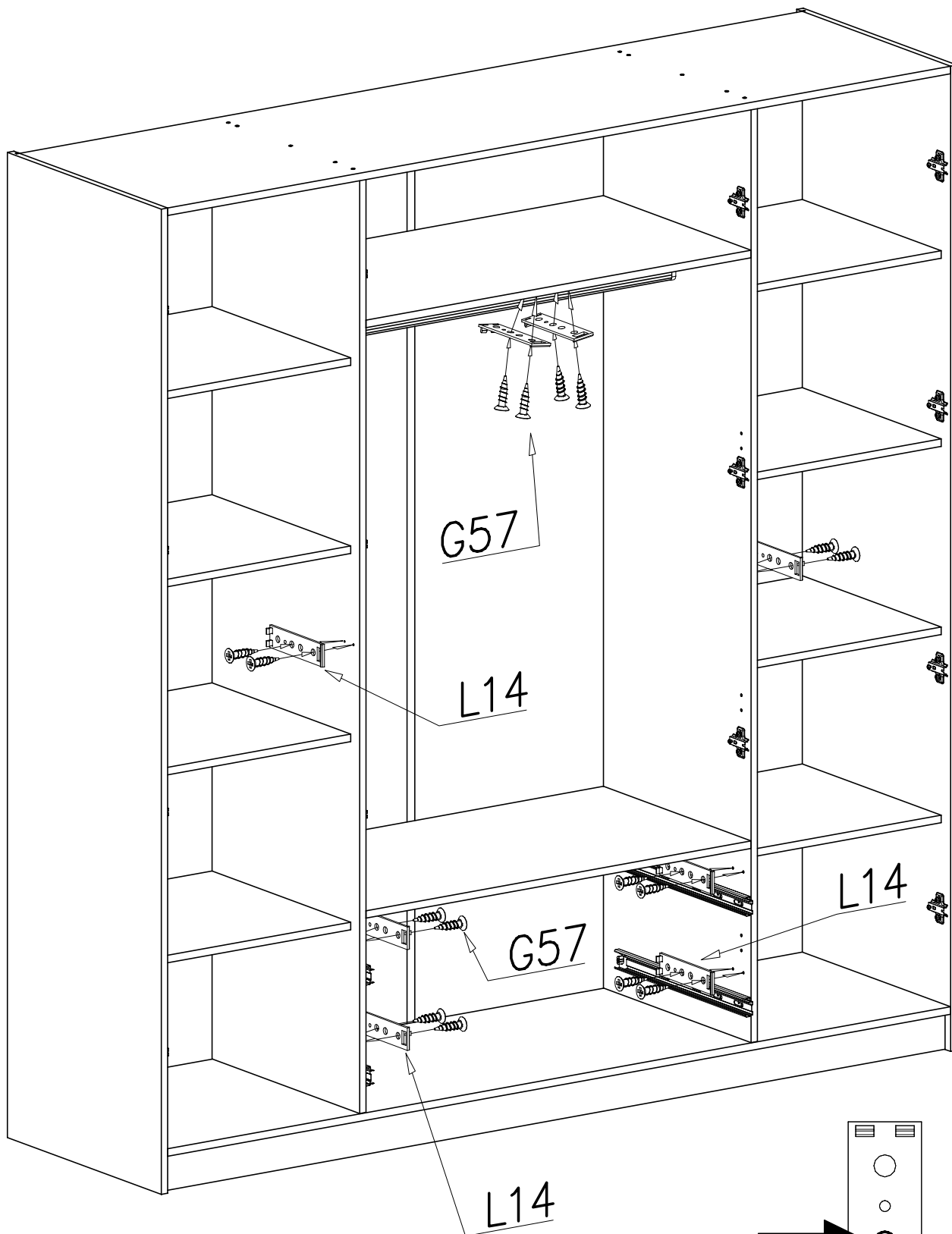
I



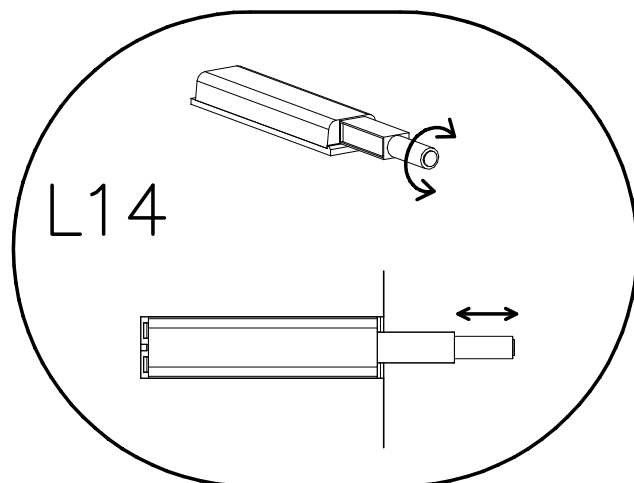
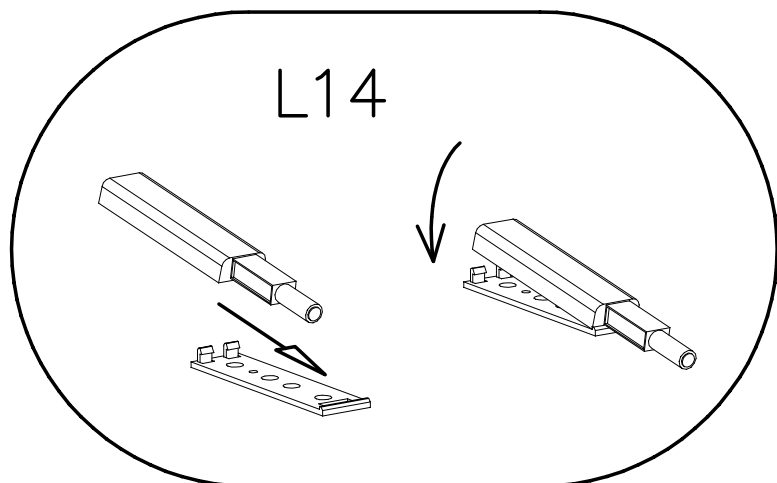
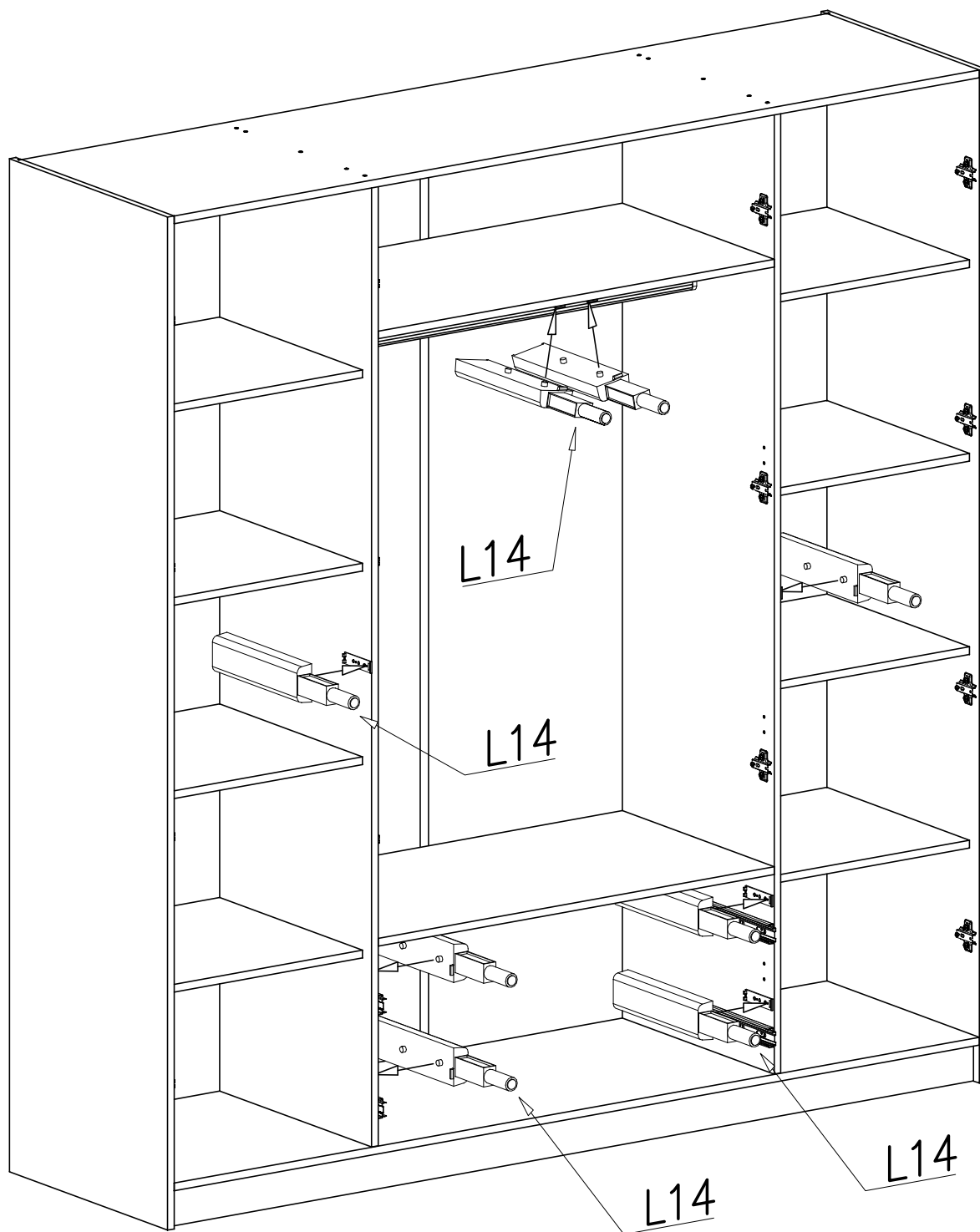
II



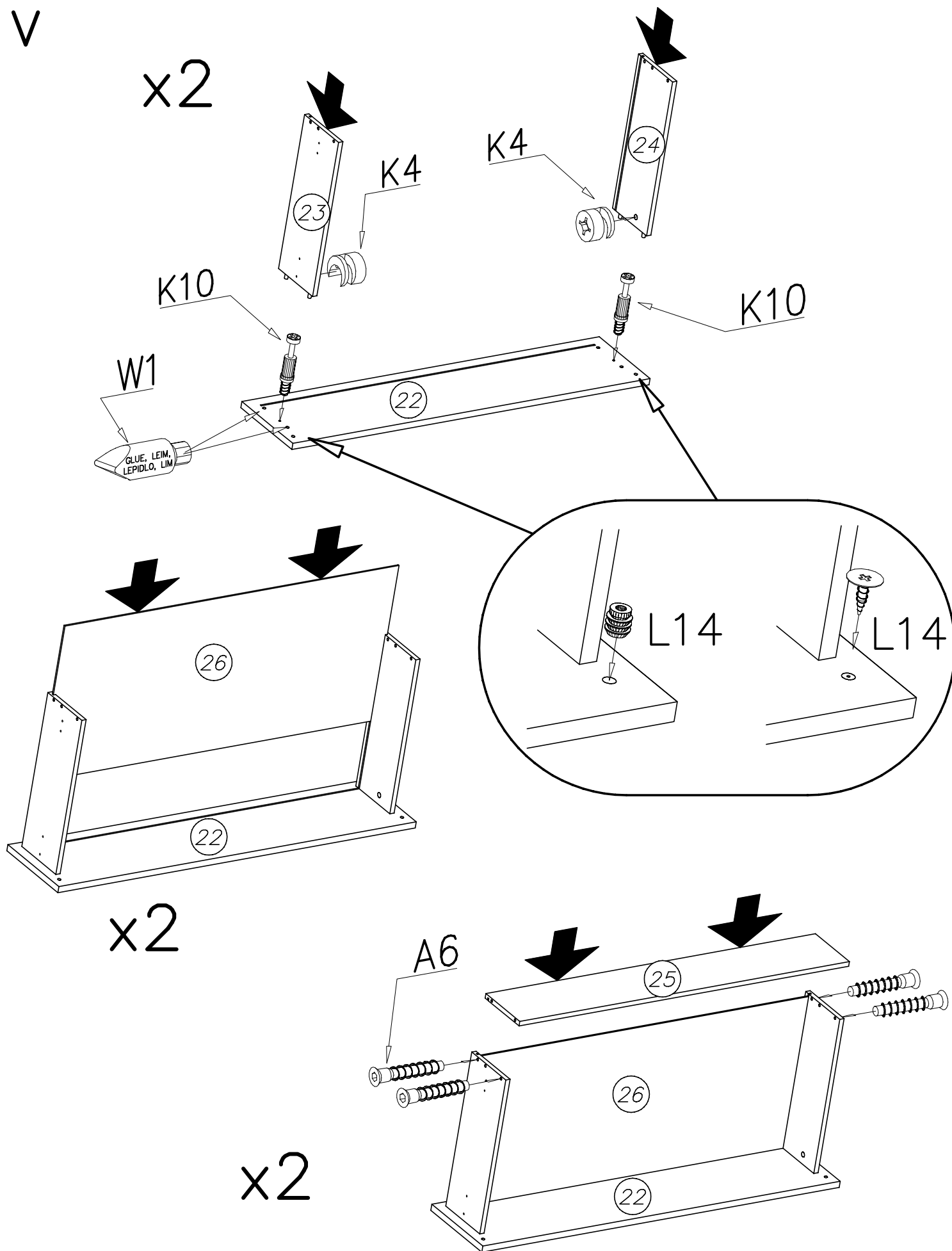
III



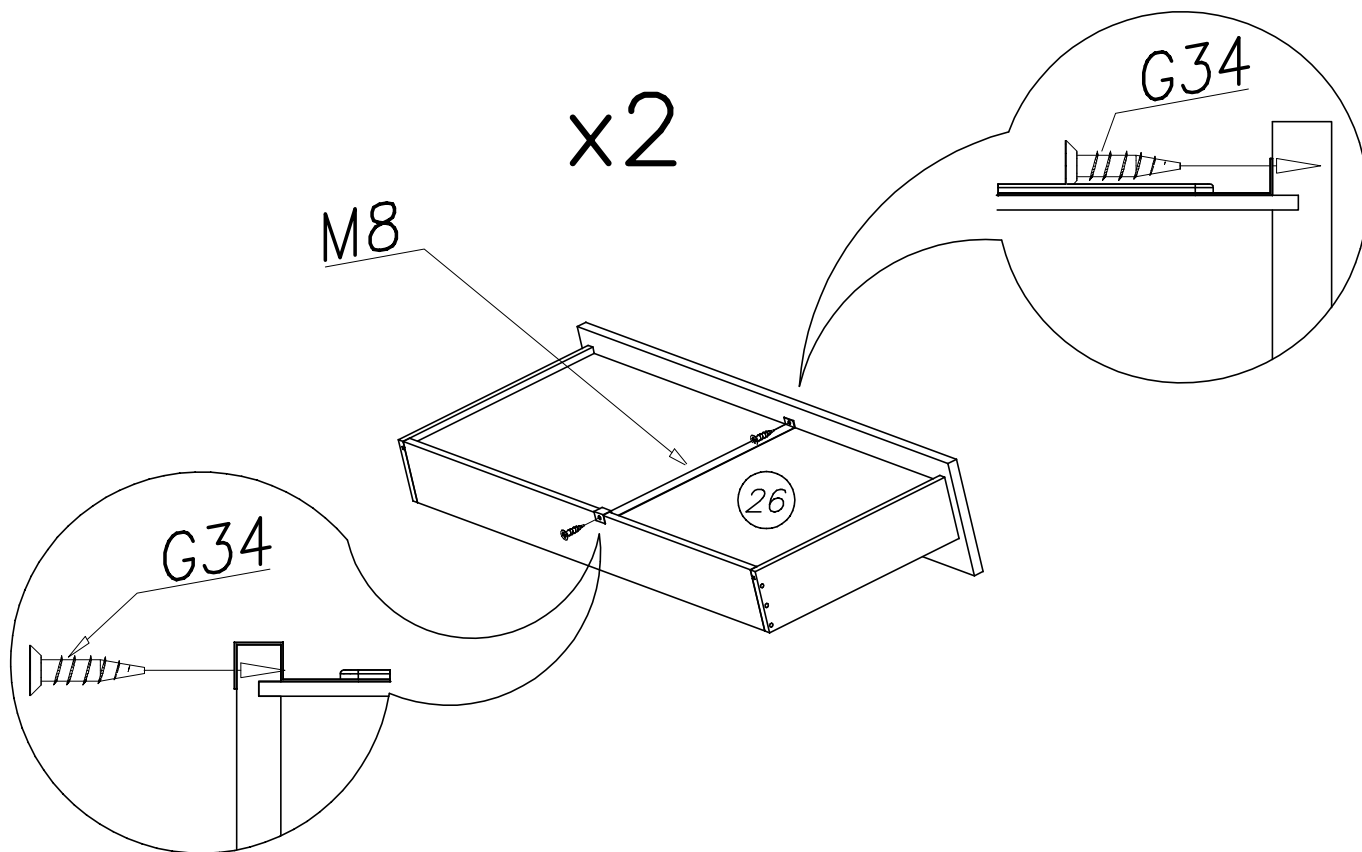
## IV



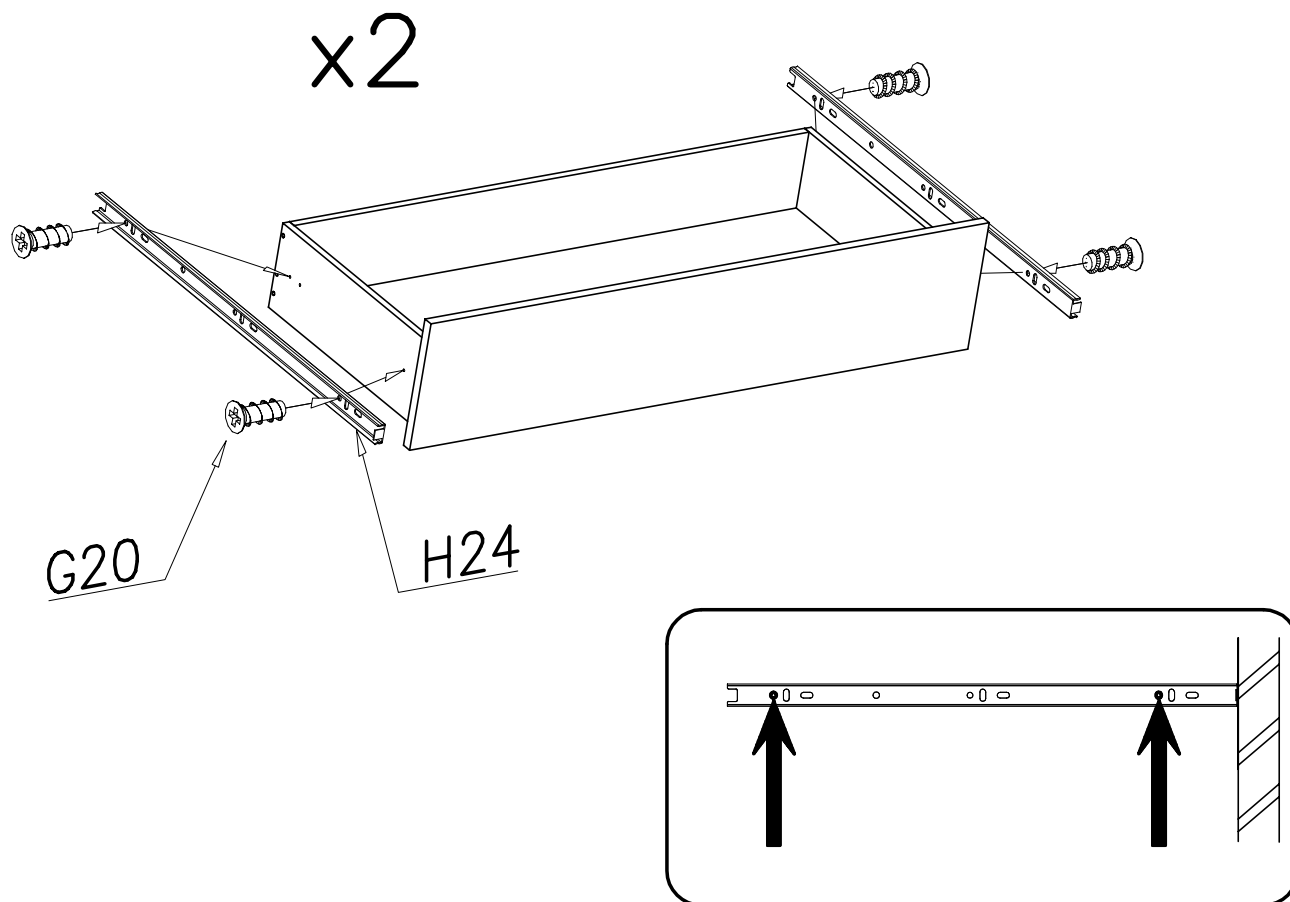
V



VI

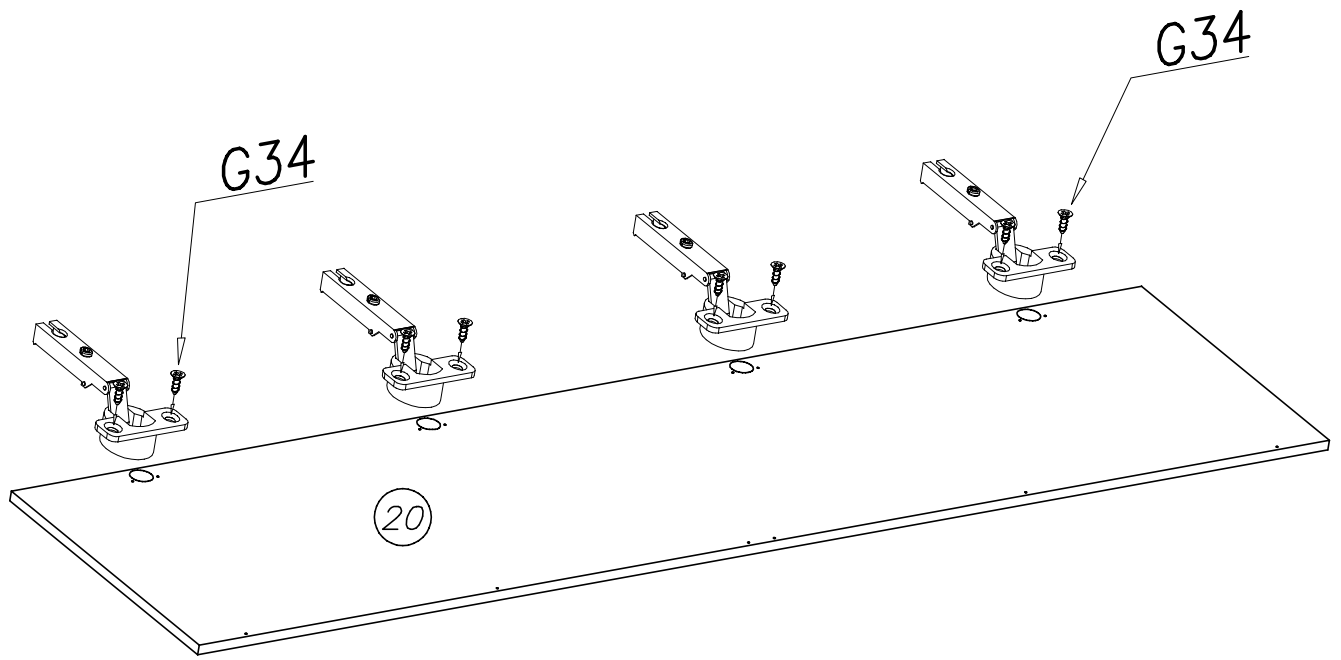


VII

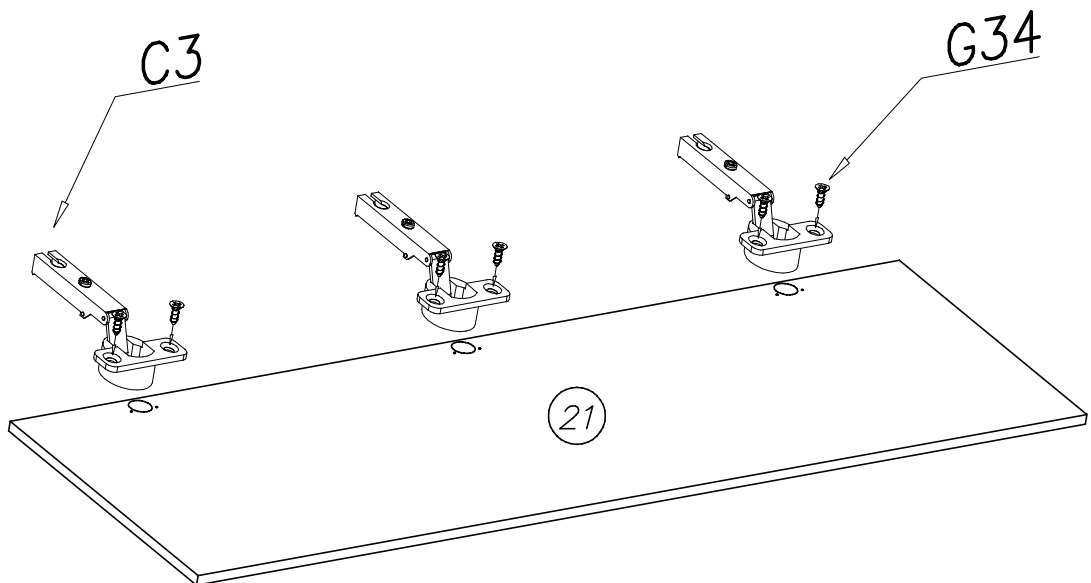
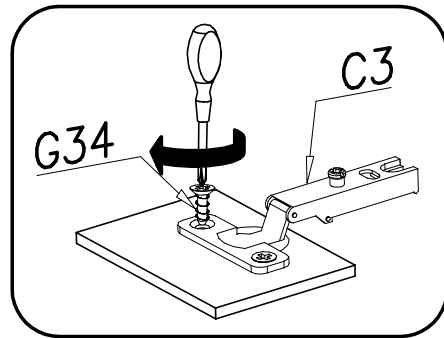




VIII

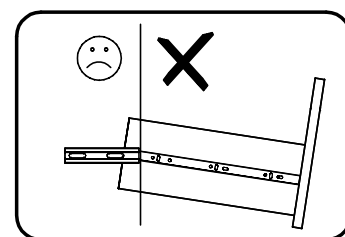
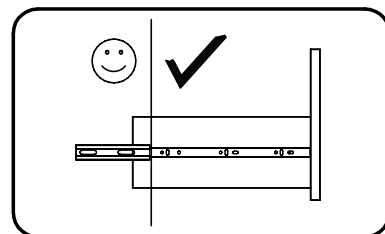
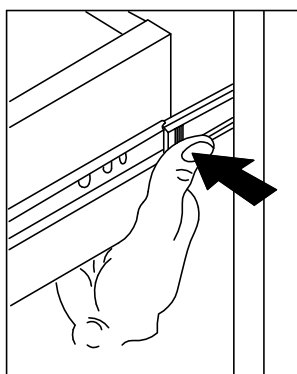
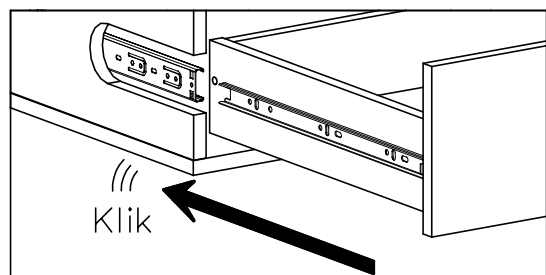
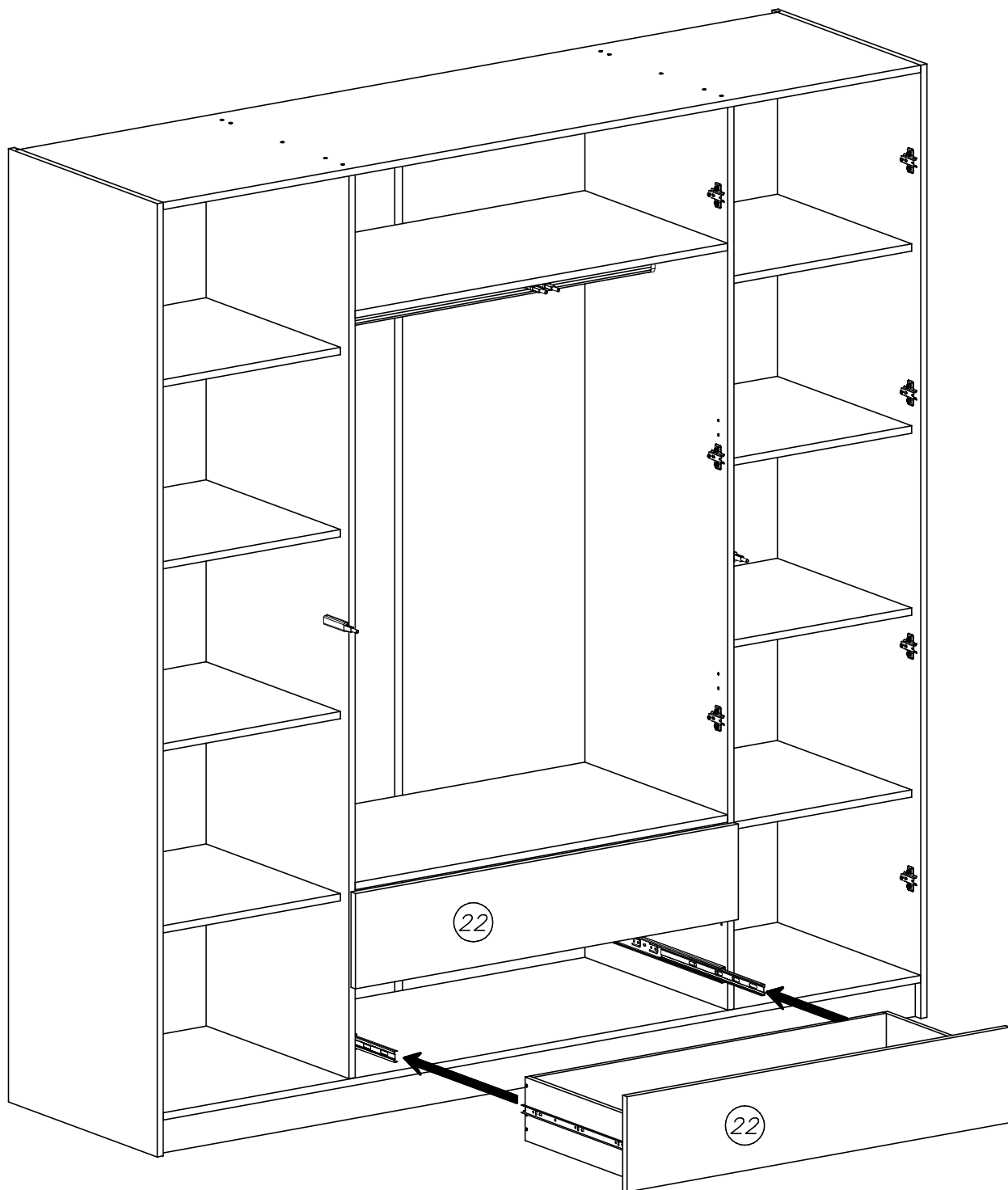


x2

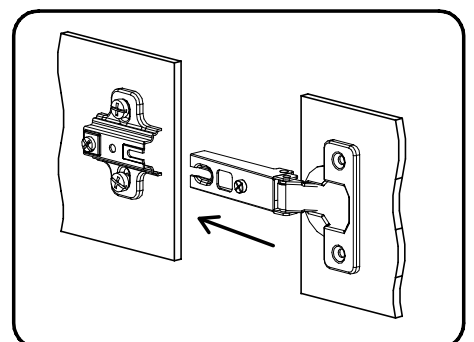
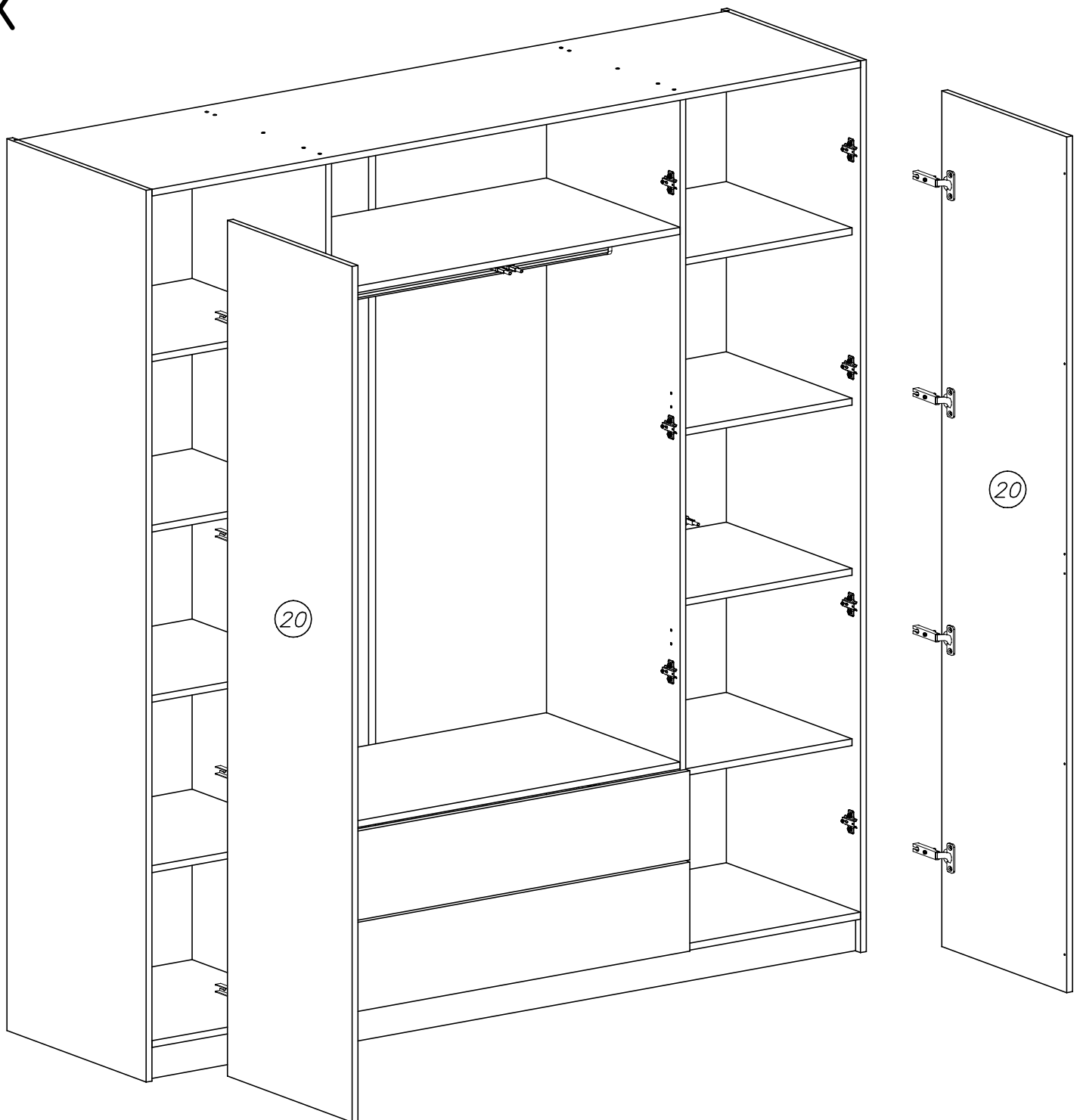


x2

IX



X



XI

