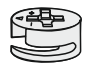
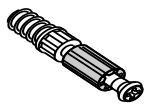
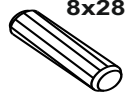
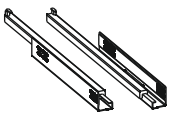
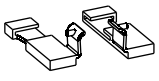

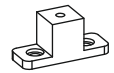
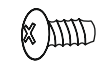

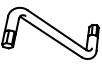

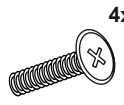
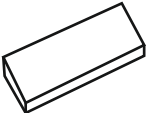

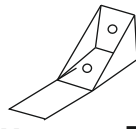



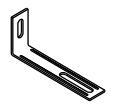



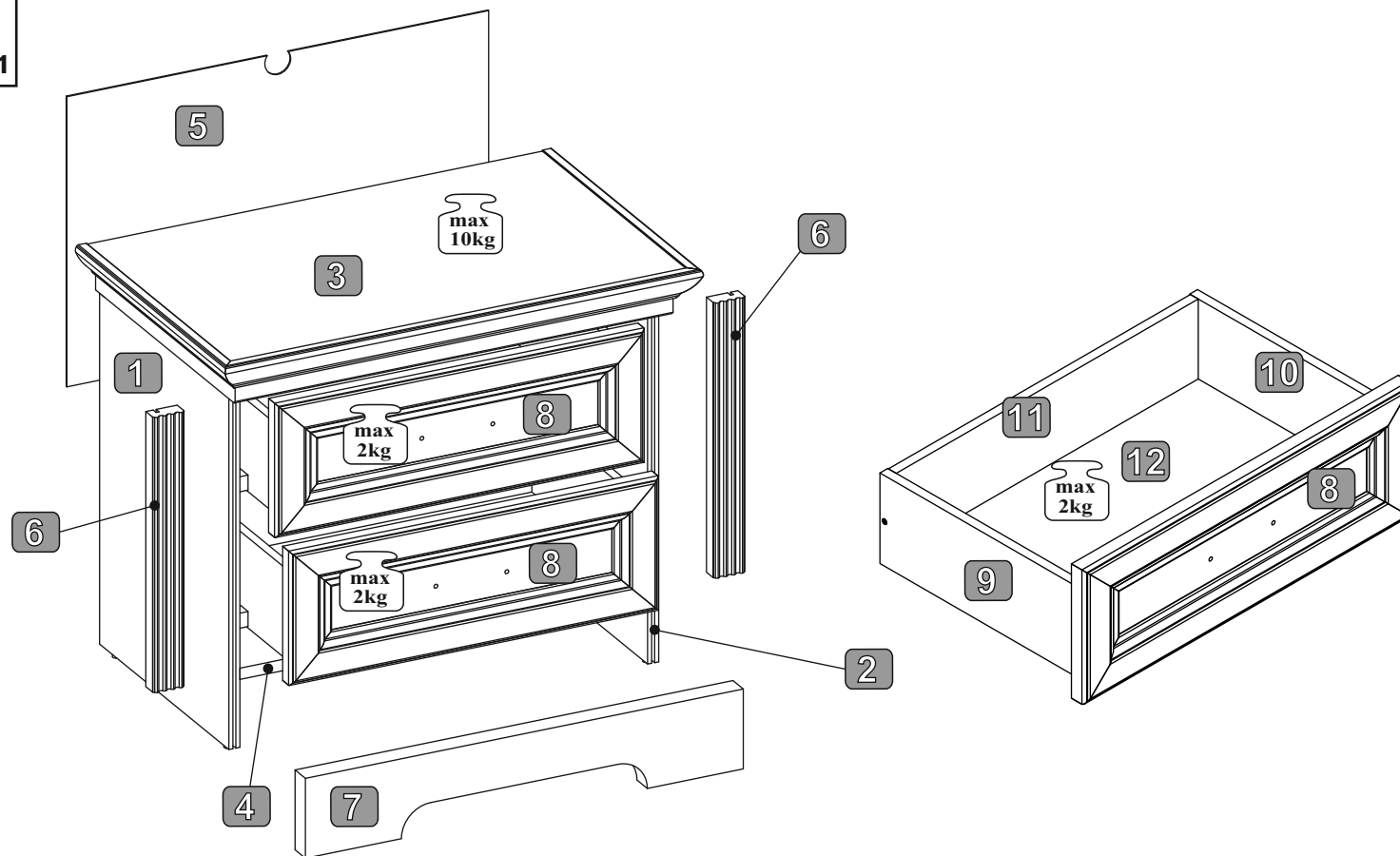
 15x12 10x T02	 12x9,5 4x T12	 14x T01	 8x28 26x D01	 2x L+R P05	 2x L+R B12	 6x11 8x W12	 8x DY1	 6,3x16 16x W37	 5x40 4x W16
 Z3 1x K02	 2x U39	 4x16 4x Y04	 4x LAM	 6x S01	 2x B01	 3,5x16 4x W30	 2x L01	 4x R01	 1x P01
 4x13 2x W07	 1x F01	 1x F11							

NR	DIM	QTE	COLLI
1	471x350x15	1	1/1
2	471x350x15	1	1/1
3	648x406x65	1	1/1
4	552x350x15	1	1/1
5	385x571x2	1	1/1
6	365x42,5x22	2	1/1
7	593x106x28	1	1/1
8	499x177x22	2	1/1
9	300x120x12	2	1/1
10	300x120x12	2	1/1
11	462x120x12	2	1/1
12	473x300x2	2	1/1



0 10 20 30 40 50 60 70 80 90 100 110 120 130 140 150 160 170 180 190 200



1

[2x]

12x9,5
4x **T12**

8x28
16x **D01**

4x **T12** **4x** **T01** **16x** **D01**

D01 **9** **D01** **11** **D01** **10** **D01** **8** **T01** **T01** **T01**

T12 **T01**

2

[2x]


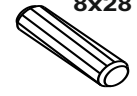
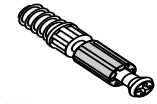
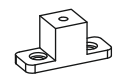
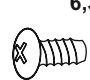
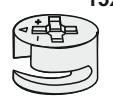
5x40
4x **W16**

Z3
1x **K02**

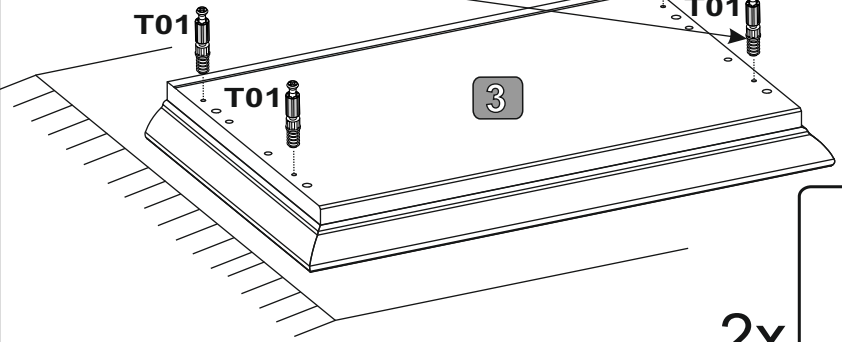
9 **11** **10** **12** **8**

W16 **K02**

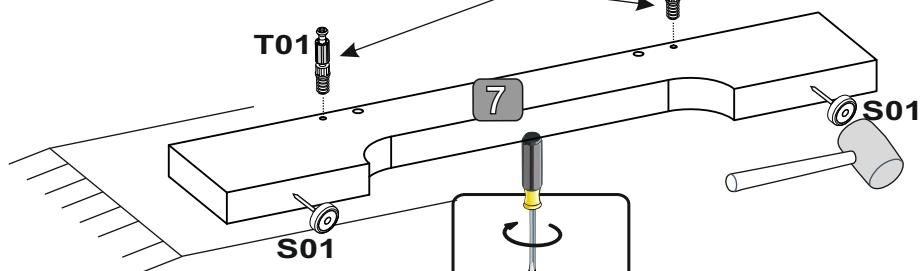
3

 6x S01	 8x28 10x D01	 10x T01	 8x DY1	 6,3x16 16x W37	 15x12 10x T02
-----------------------------------------------------------------------------------------------	--------------------------------------------------------------------------------------------------------	------------------------------------------------------------------------------------------------	-----------------------------------------------------------------------------------------------	----------------------------------------------------------------------------------------------------------	---------------------------------------------------------------------------------------------------------

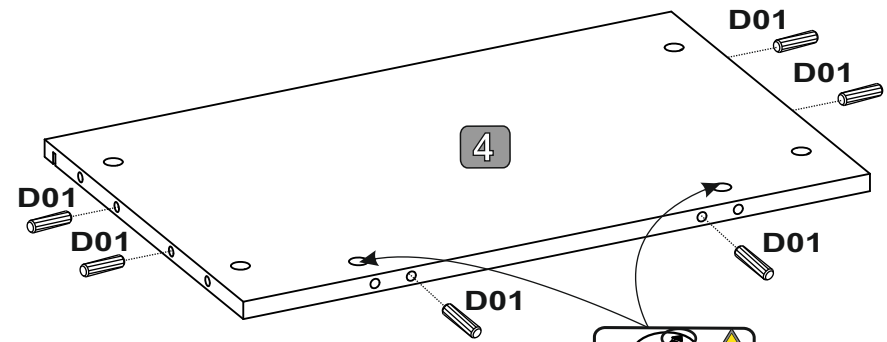
4x
T01



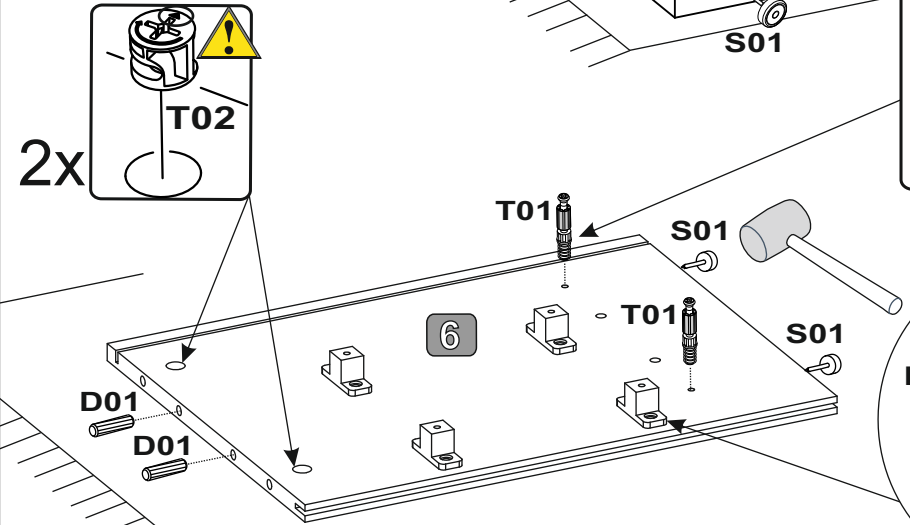
2x
T01



6x
T02

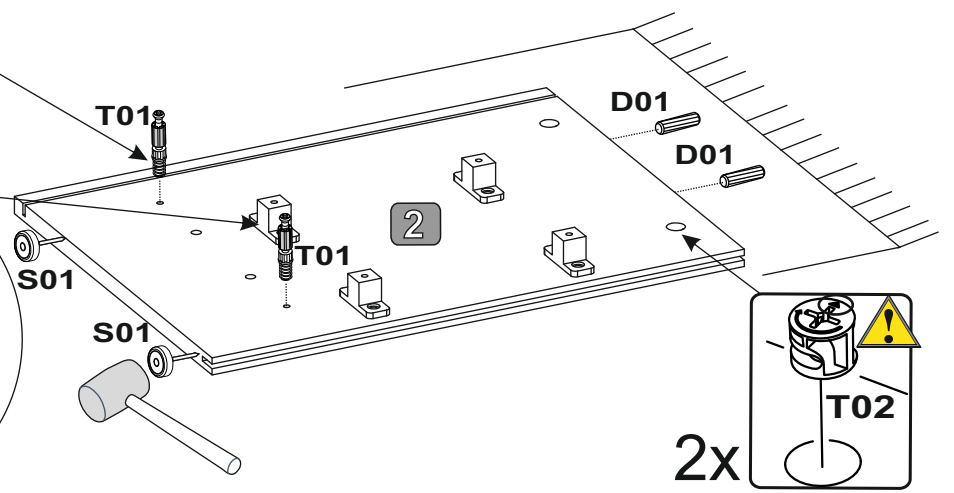


2x
T02



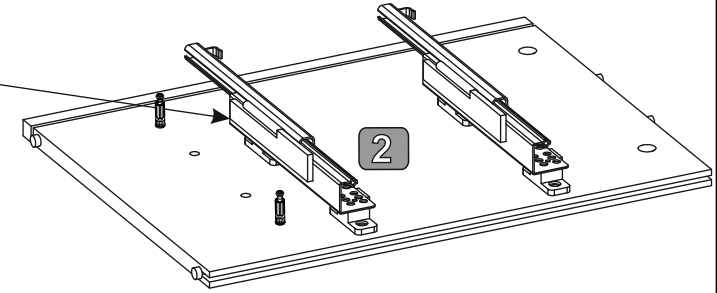
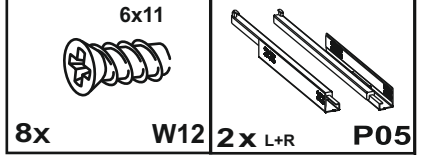
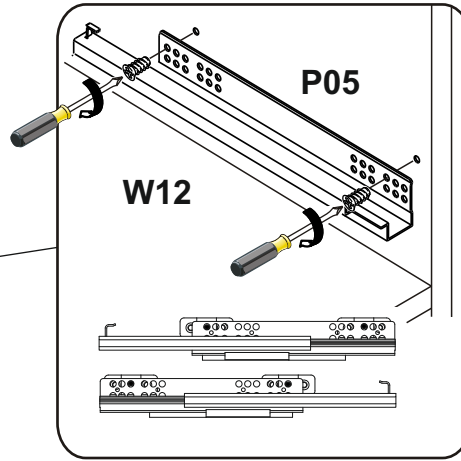
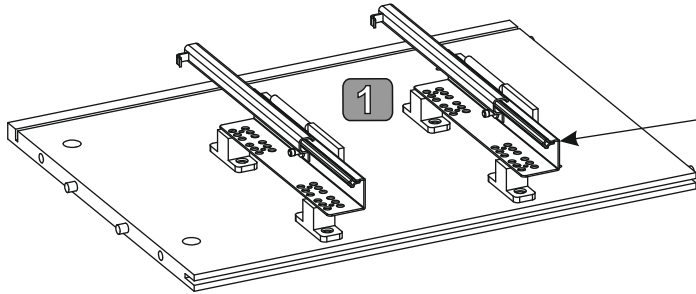
T01

8x
DY1
W37

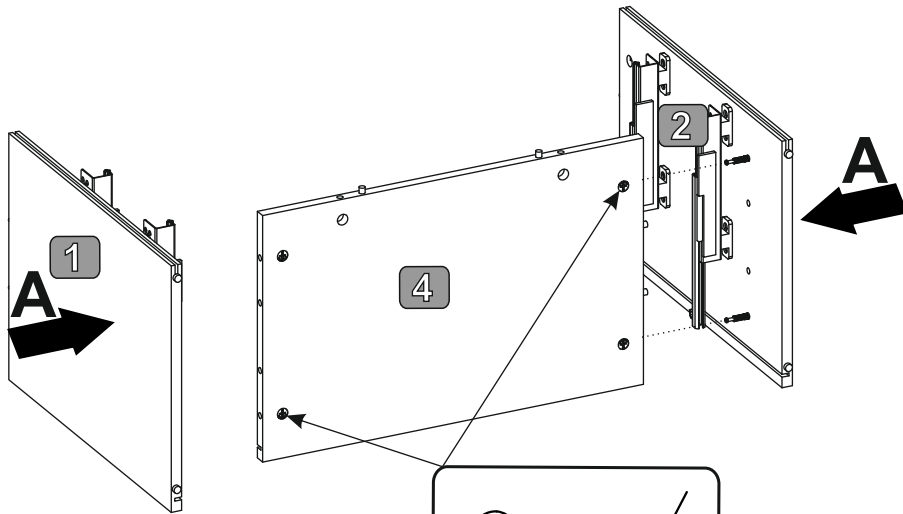


2x
T02

4



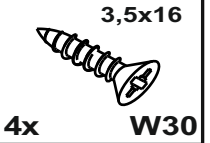
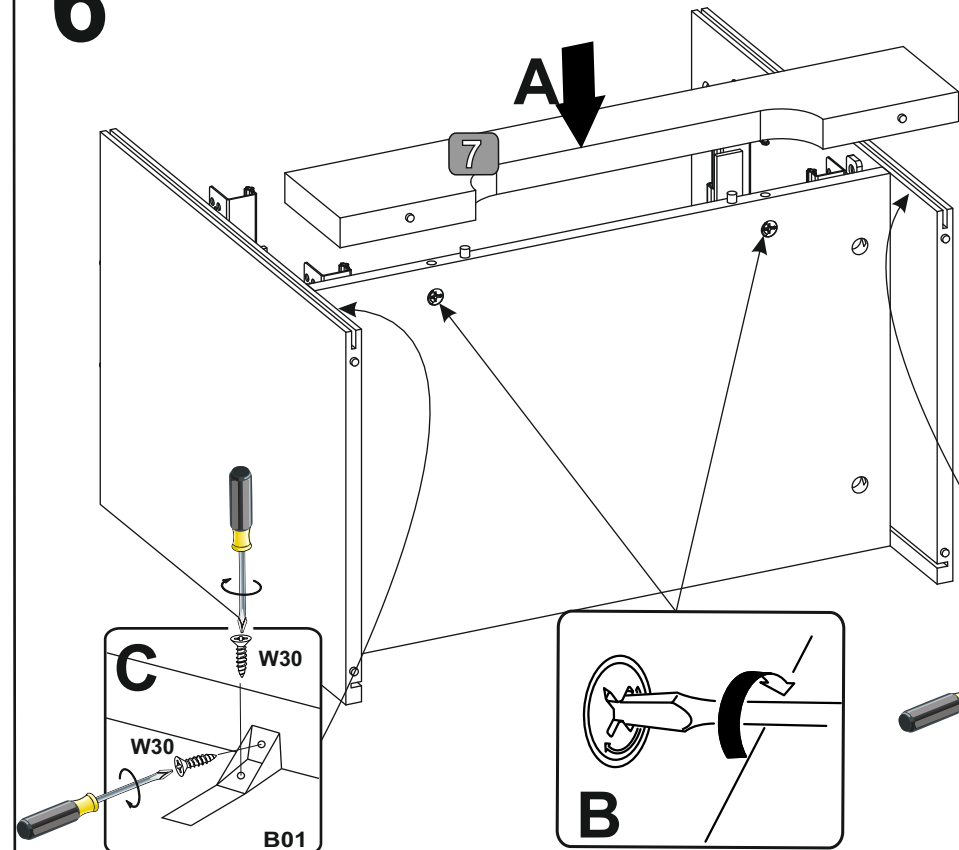
5



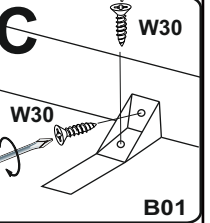
4x

B

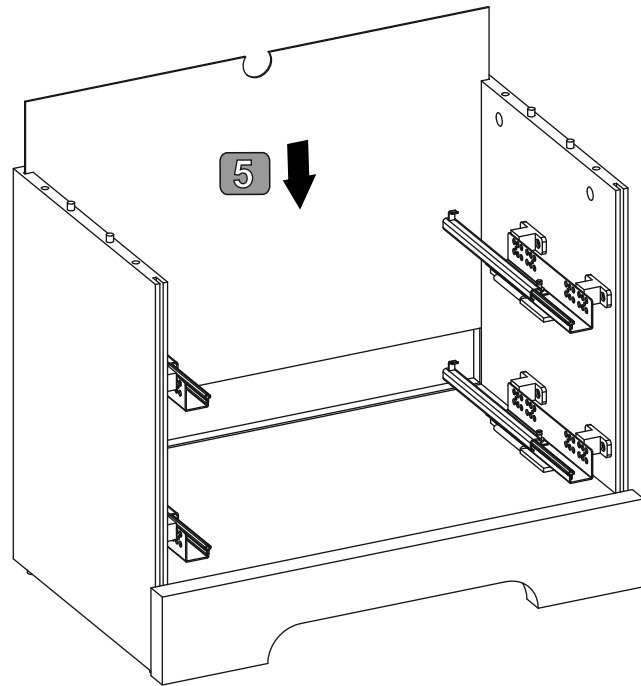
6



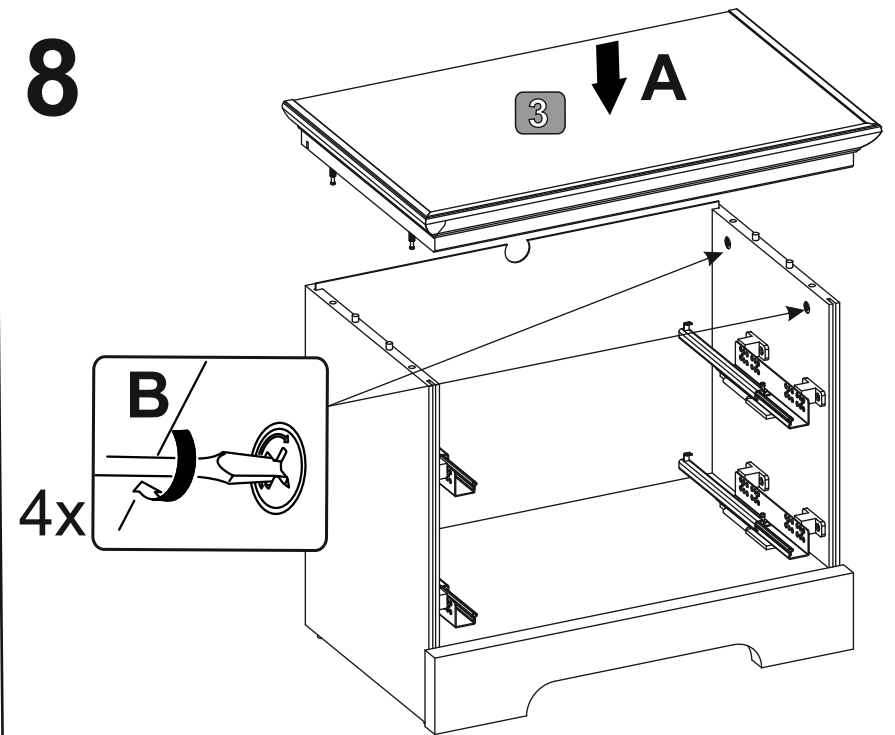
2x B01



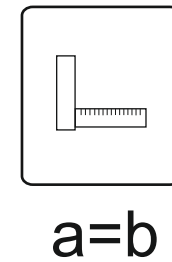
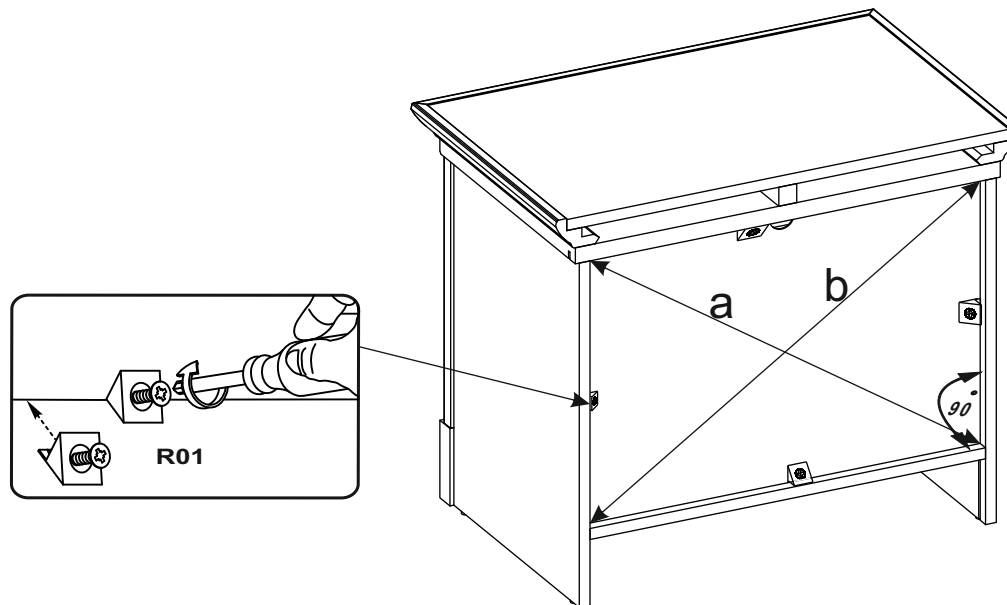
7



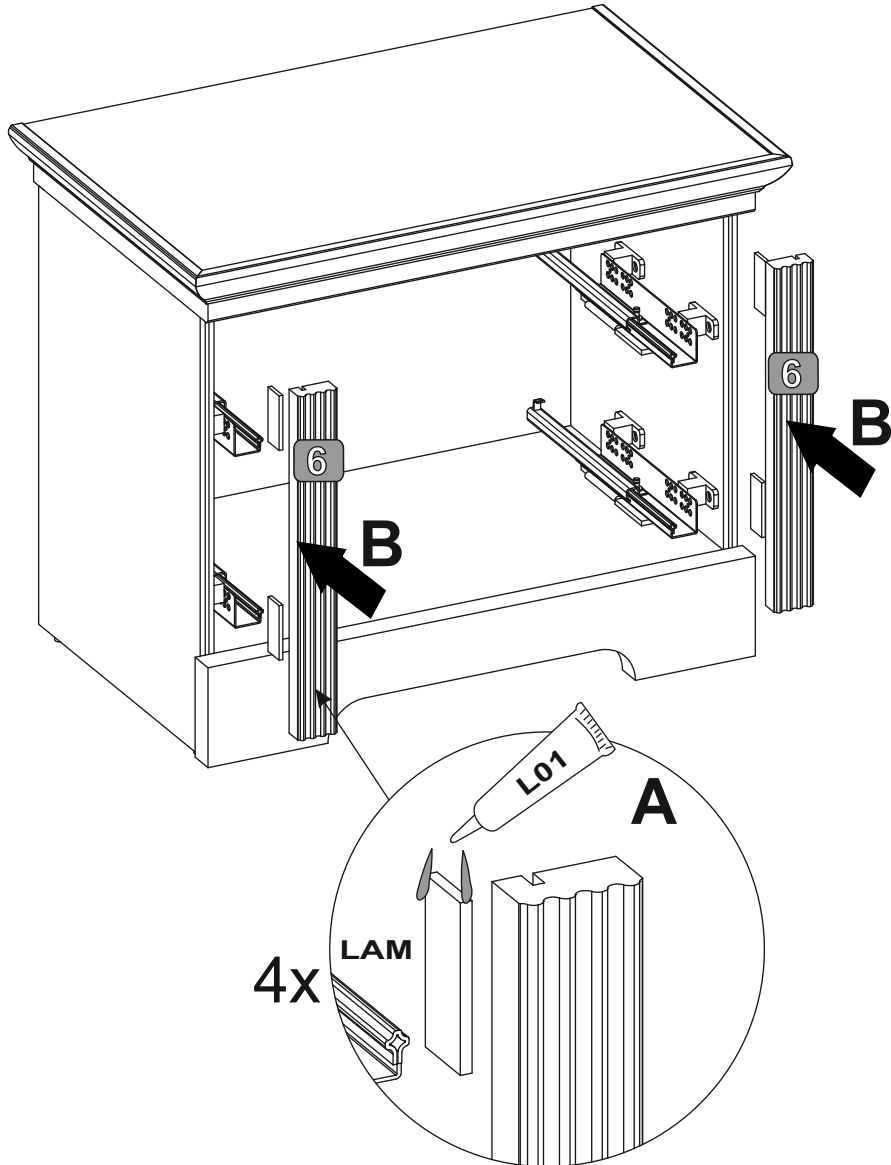
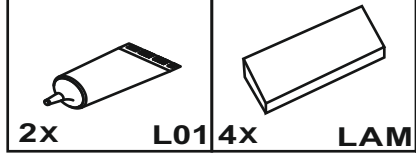
8



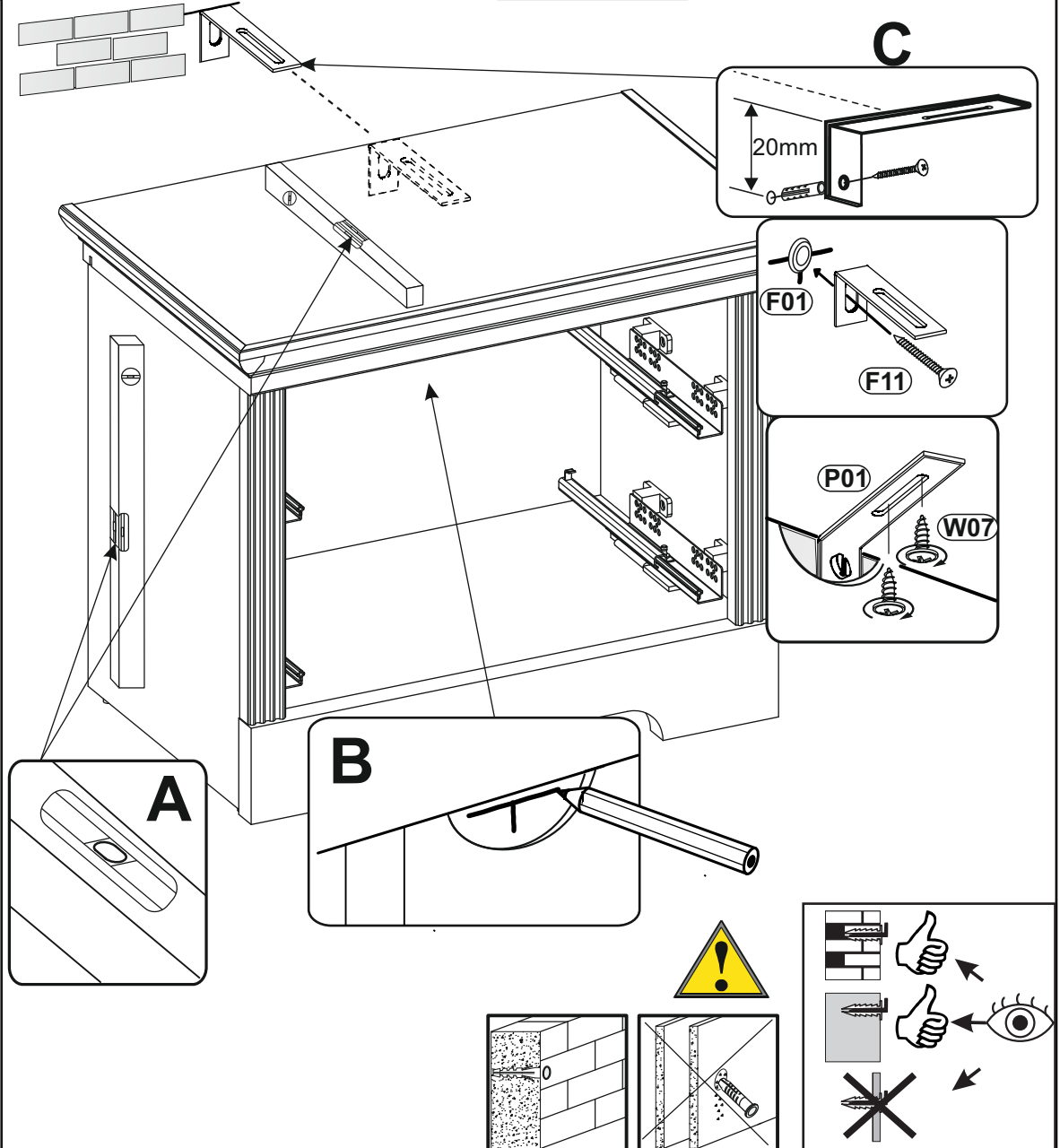
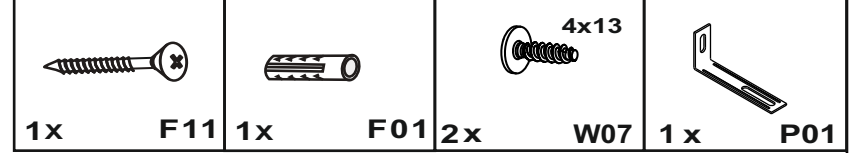
9



10

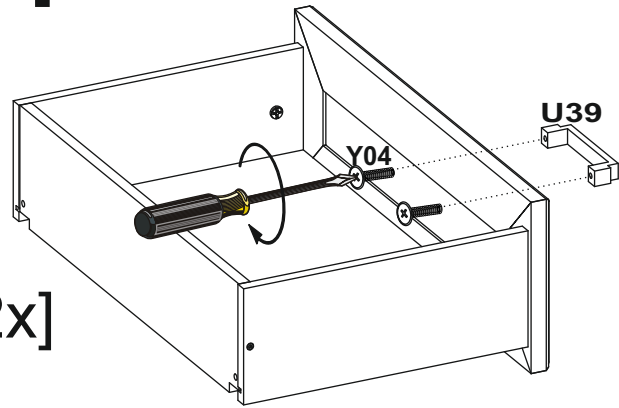



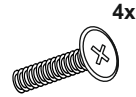
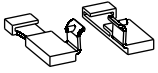
11



11

[2x]



 2x U39	 4x Y04	 2x L+R B12
-----------------------------------------------------------------------------------------------	-----------------------------------------------------------------------------------------------	---------------------------------------------------------------------------------------------------

