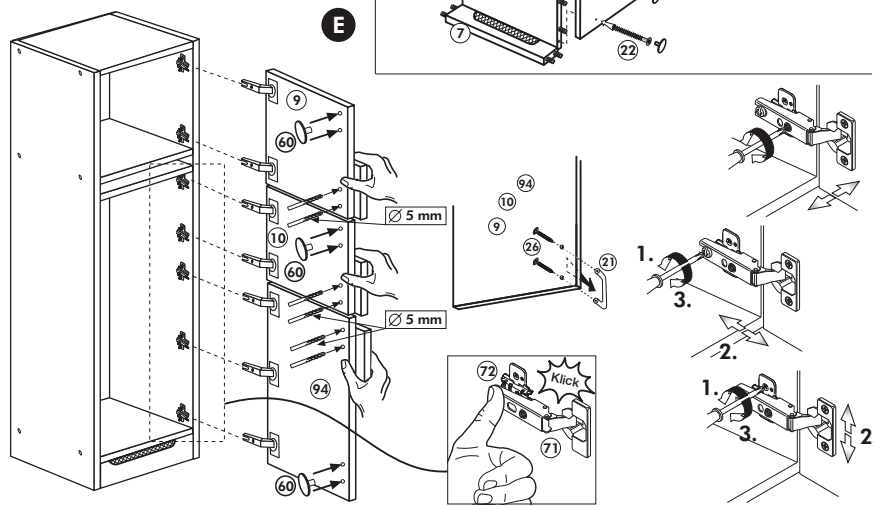
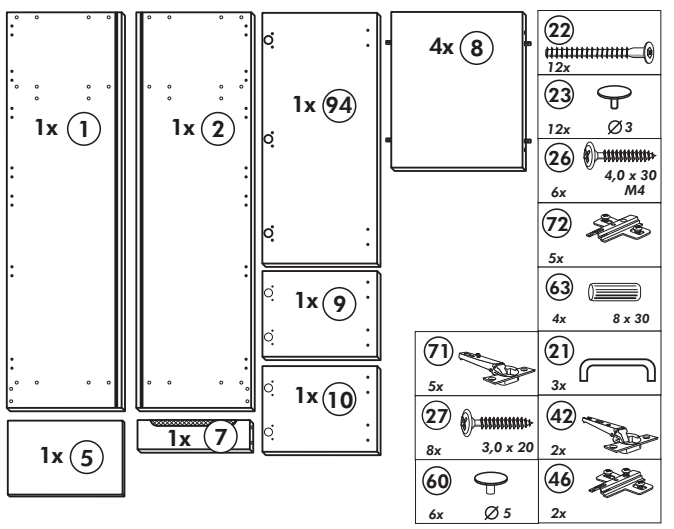
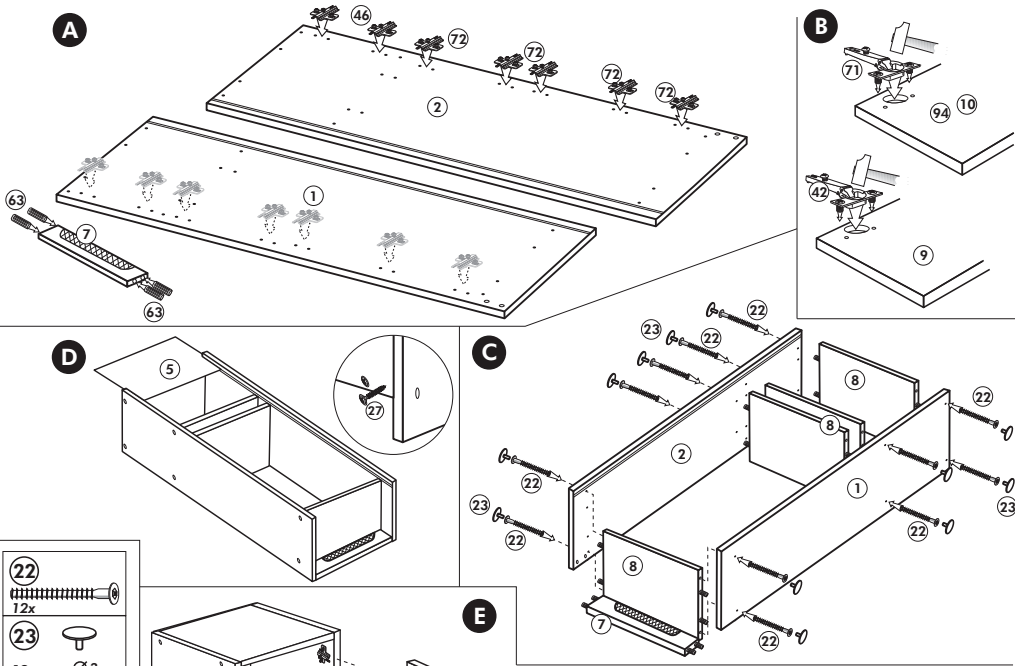
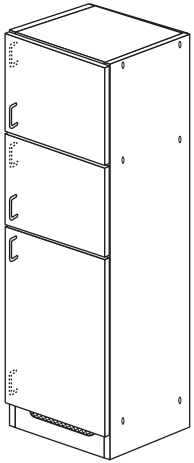
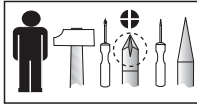




Wilhelm Hoffmeister GmbH + Co.KG, Hueckerstr. 19, 32257 Bünde

# Kühl-Gefrierumbau 200cm

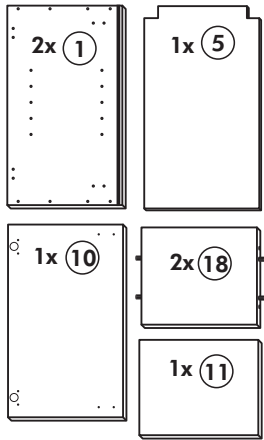
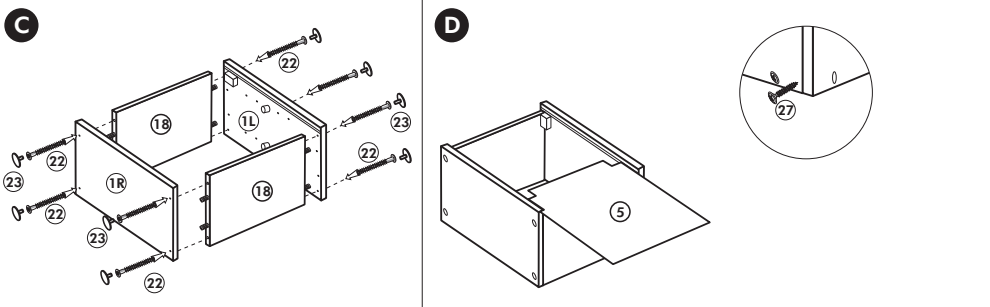
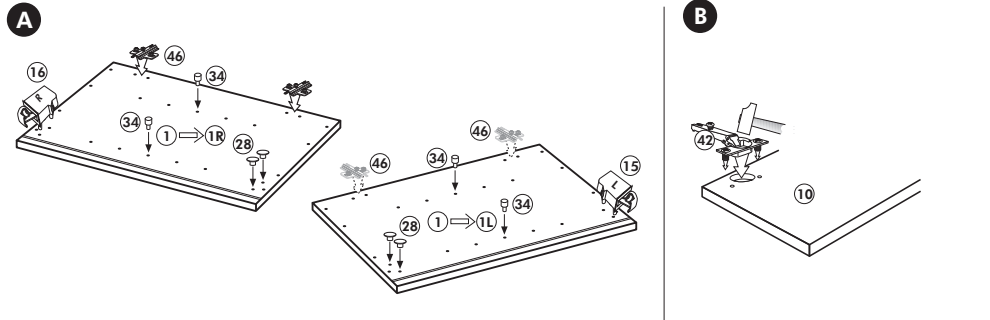
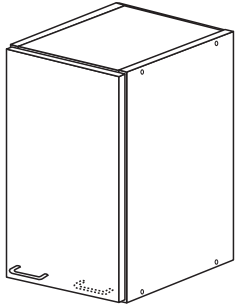
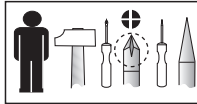
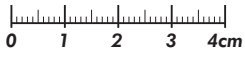
Nr. 314 Rev.00



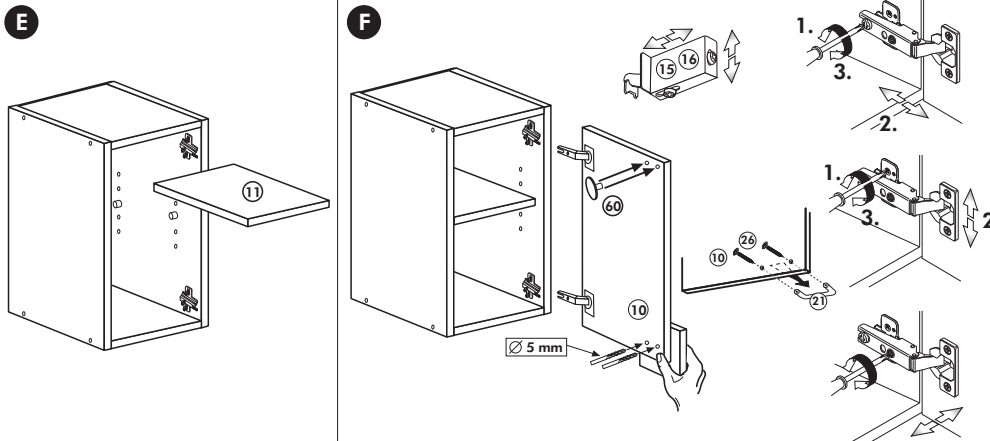
Wilhelm Hoffmeister GmbH + Co KG, Hueckerstr. 19, 32257 Bünde

# Hängeschrank

Nr. 101 Rev.00



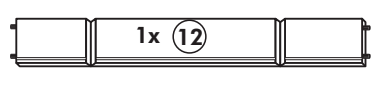
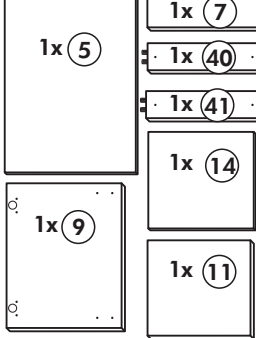
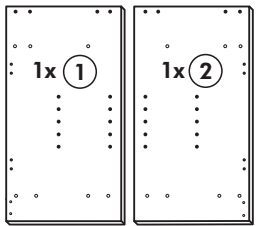
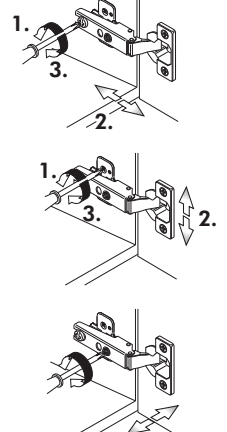
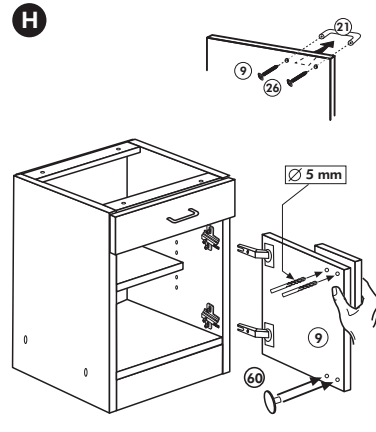
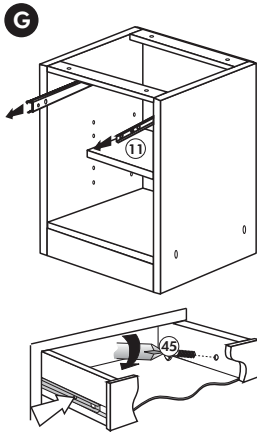
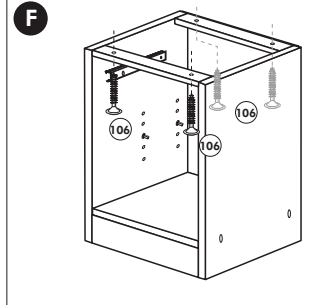
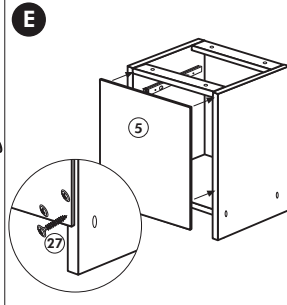
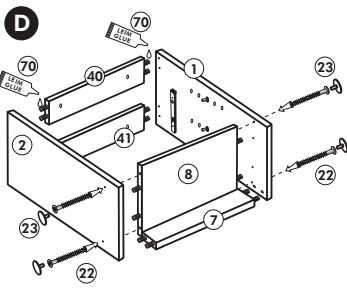
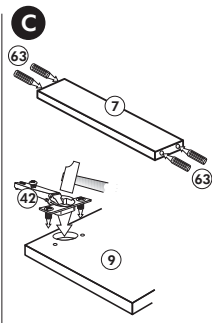
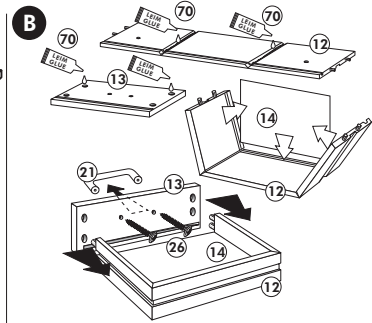
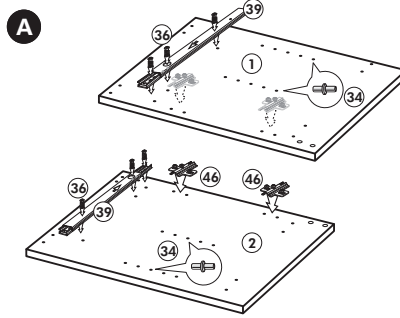
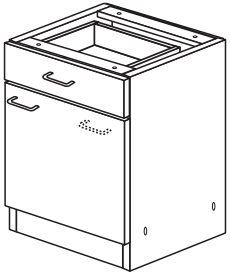
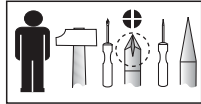
|      |      |      |          |
|------|------|------|----------|
| 2x 1 | 1x 5 | 68   | 23       |
|      |      | 2x   | 8x       |
|      |      |      | Ø 3      |
|      |      | 34   | 27       |
|      |      | 4x   | 8x       |
|      |      |      | 3,0 x 20 |
|      |      | 28   | 26       |
|      |      | 4x   | 2x       |
|      |      | Ø 10 | 4,0 x 30 |
|      |      |      | M4 x 30  |
|      |      | 60   | 15       |
|      |      | 2x   | 1x       |
|      |      | Ø 5  |          |
|      |      | 22   | 16       |
|      |      | 8x   | 1x       |
|      |      |      |          |
|      |      | 46   | 69       |
|      |      | 2x   | 2x       |
|      |      |      |          |
|      |      | 21   | 42       |
|      |      | 1x   | 2x       |
|      |      |      |          |



Wilhelm Hoffmeister GmbH + Co KG, Hueckerstr. 19, 32257 Bünde

# Unterschrank ohne AP

Nr. 003 Rev.00

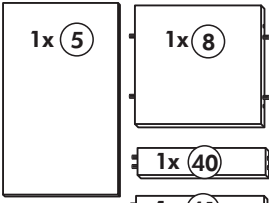
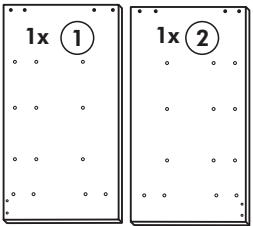
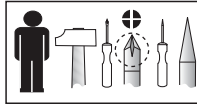


|    |           |     |             |
|----|-----------|-----|-------------|
| 34 |           | 22  |             |
| 4x |           | 4x  |             |
| 36 |           | 23  |             |
| 6x | 3,5 x 15  | 4x  | Ø 3         |
| 39 |           | 27  |             |
| 2x |           | 24x | 3,0 x 20    |
| 70 |           | 26  |             |
| 1x | LEIM GLUE | 4x  | 4,0 x 30 M4 |
|    |           | 106 |             |
|    |           | 4x  | 4,0 x 30    |
|    |           | 63  |             |
|    |           | 4x  | 8 x 30      |
|    |           | 45  |             |
|    |           | 2x  | M4 x 10     |
|    |           | 42  |             |
|    |           | 2x  |             |
|    |           | 46  |             |
|    |           | 2x  |             |
|    |           | 21  |             |
|    |           | 2x  |             |
|    |           | 60  |             |
|    |           | 2x  | Ø 5         |

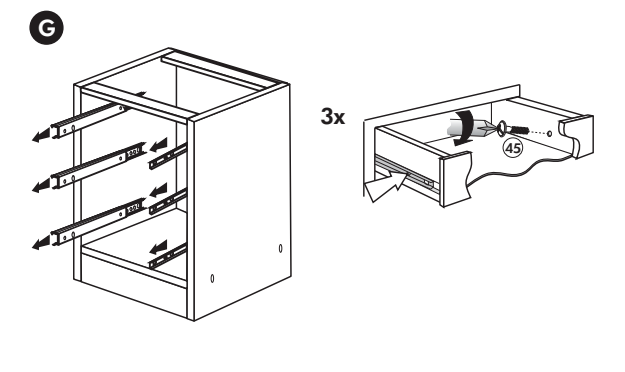
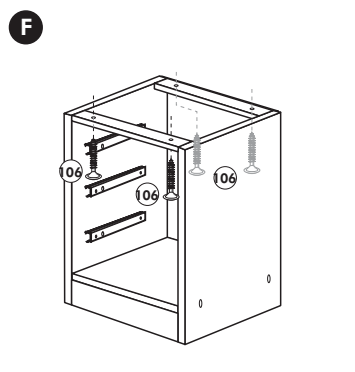
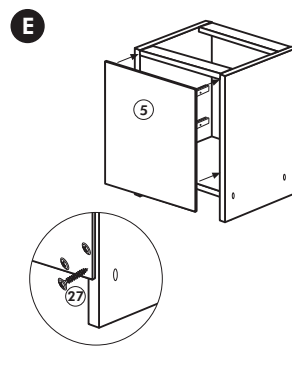
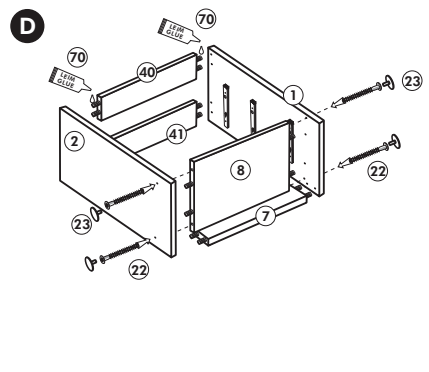
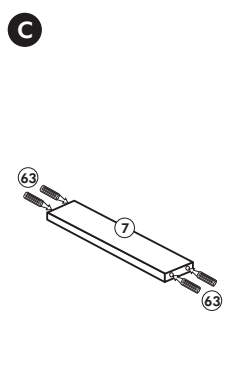
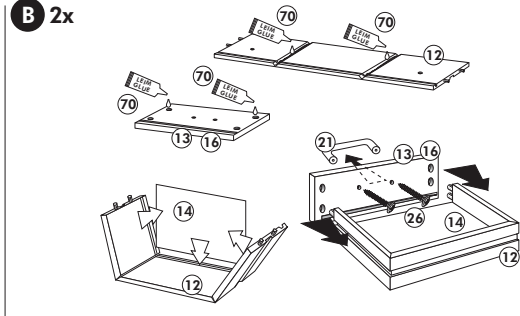
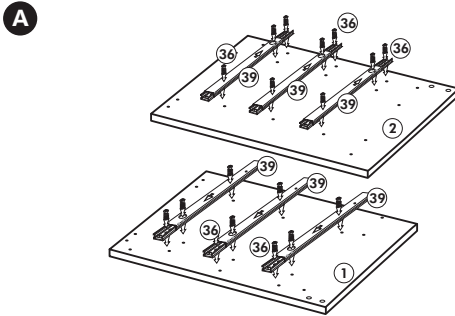
Wilhelm Hoffmeister GmbH + Co KG, Hueckerstr. 19, 32257 Bünde

# Unterschrank mit Auszug

Nr. 014 Rev.00



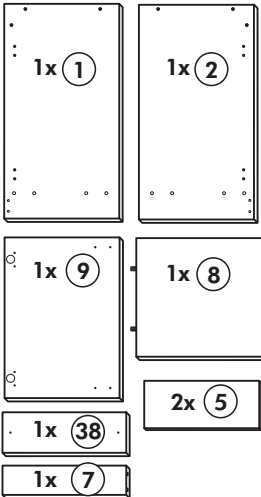
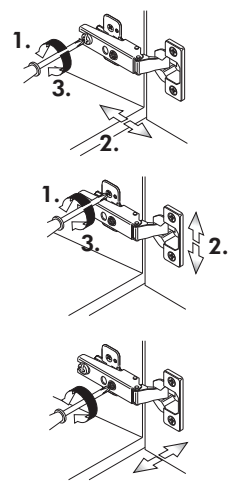
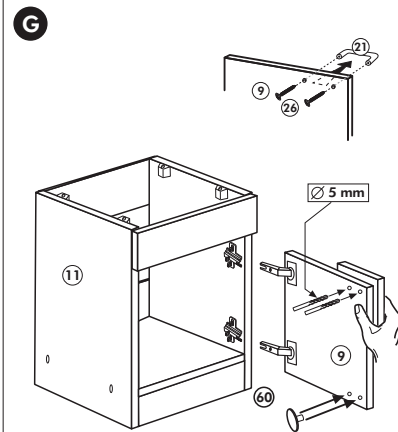
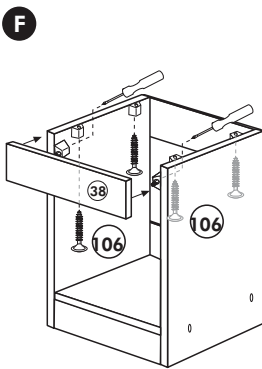
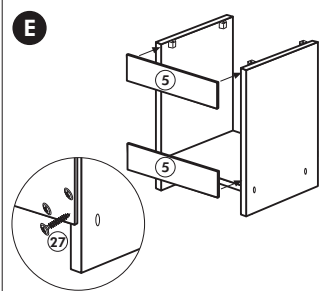
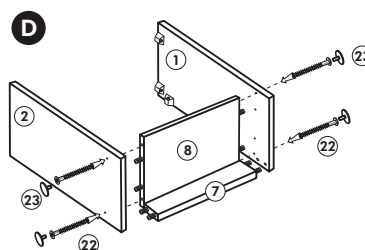
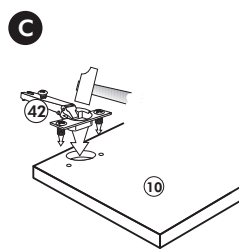
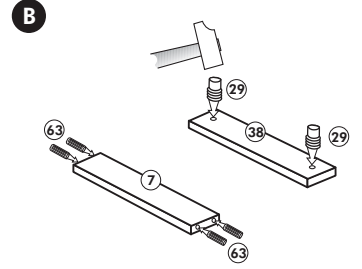
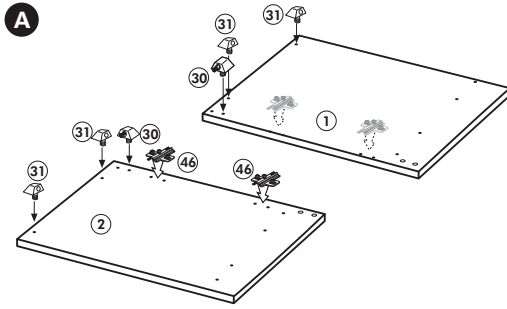
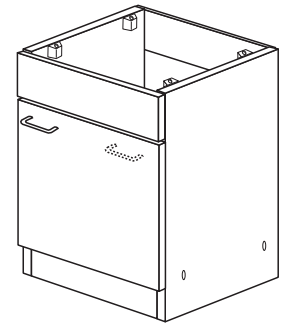
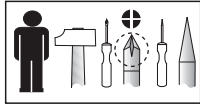
|                  |  |                  |  |
|------------------|--|------------------|--|
| <b>21</b><br>3x  |  | <b>22</b><br>4x  |  |
| <b>36</b><br>18x |  | <b>23</b><br>4x  |  |
| <b>27</b><br>24x |  | <b>26</b><br>6x  |  |
| <b>39</b><br>6x  |  | <b>70</b><br>1x  |  |
| <b>45</b><br>6x  |  | <b>106</b><br>4x |  |
| <b>63</b><br>4x  |  | <b>63</b><br>4x  |  |



Wilhelm Hoffmeister GmbH + Co KG, Hueckerstr. 19, 32257 Bünde

# Spüle-Unterschrank ohne AP

Nr. 400 Rev.00



|                       |                            |
|-----------------------|----------------------------|
| 23<br>4x<br>Ø 3       | 30<br>2x                   |
| 46<br>2x              | 29<br>2x<br>Ø 10           |
| 42<br>2x              | 22<br>4x                   |
| 63<br>4x<br>8 x 30    | 26<br>2x<br>4,0 x 30<br>M4 |
| 106<br>4x<br>4,0 x 30 | 31<br>4x                   |
|                       | 60<br>2x<br>Ø 5            |
|                       | 27<br>14x<br>3,0 x 20      |
|                       | 21<br>1x                   |