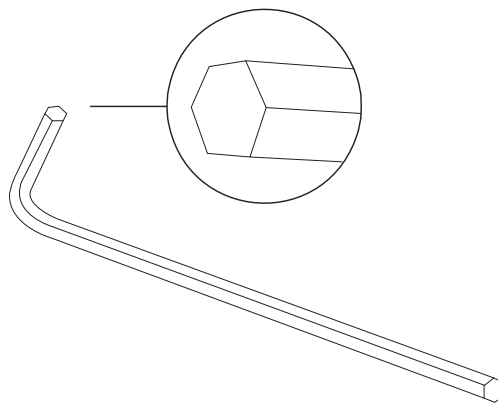


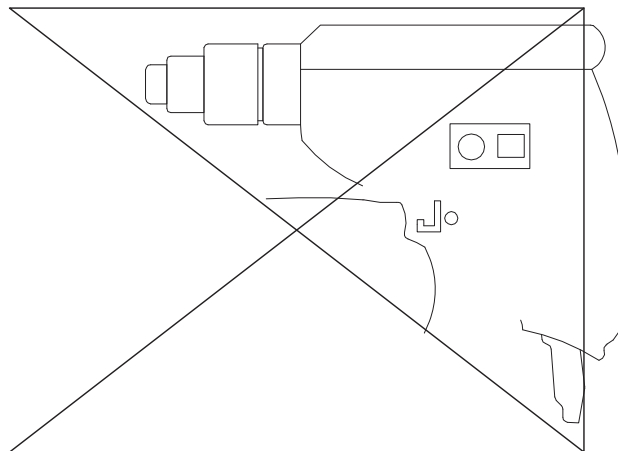
Attention: Don't tighten the screw before all screws are in place

General Assembly Guidelines

- I. Ensure that all parts and hardware are available before beginning assembly.
- II. Follow each step carefully to ensure the proper assembly of this product.
- III. Two people are recommended for ease in the assembly of this product.
- IV. The three main types of hardware used to assemble this product are : wood dowels , screws and bolts.
- VI. A Phillips head screwdriver is required for the assembly of this product .



- VII. Power tools should not be used to assemble this product .



Hardware List

A



16pcs

B



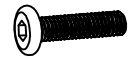
16pcs

C



M3.5x14 26pcs

D



M6x23 13pcs

E



M6x30 24pcs

F



M6x8 26pcs

G



M5x40 4pcs

H



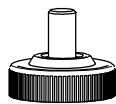
2pcs

I



M4x15 4pcs

J



M6 6pcs

K



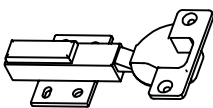
1pc

L



M6 6pcs

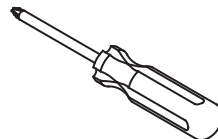
M



4pcs



1pc



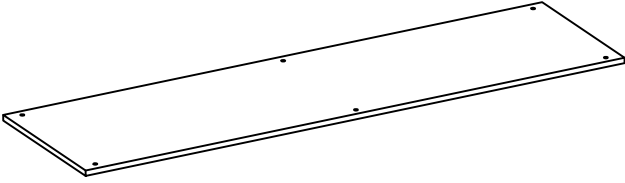
1pc



1pc

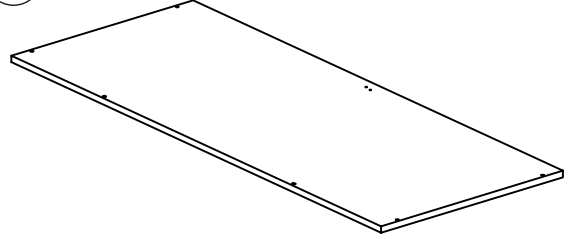
Panel List

1



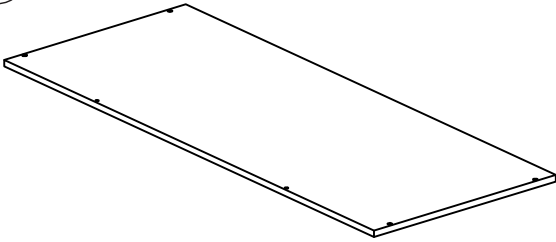
*1

2



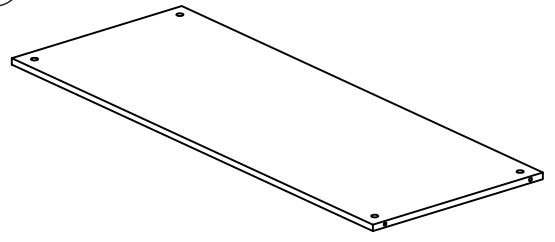
*1

3



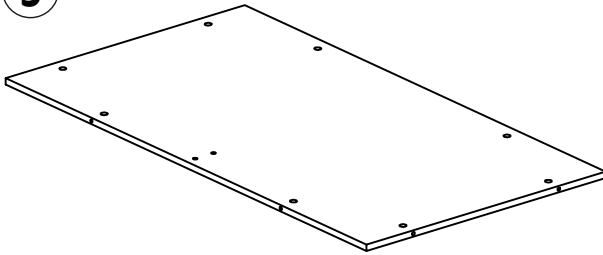
*1

4



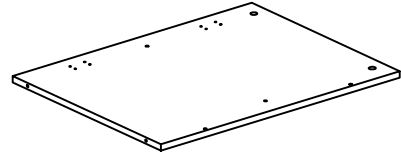
*1

5



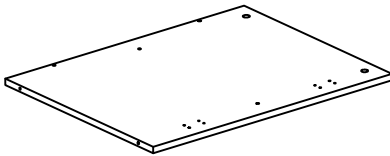
*1

6



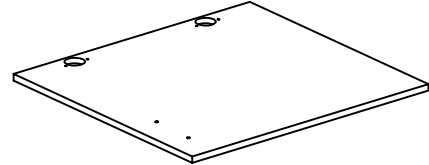
*1

7



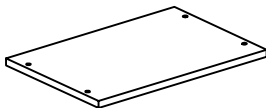
*1

8



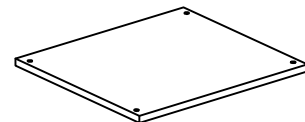
*1

10



*2

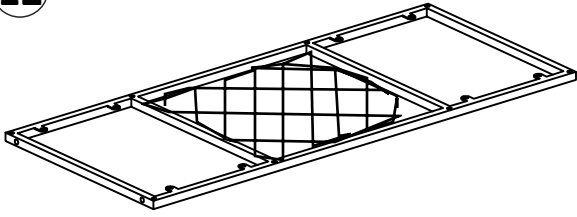
11



*3

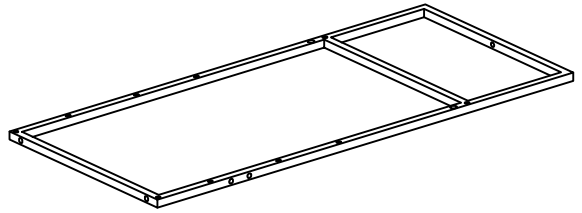
Panel List

12



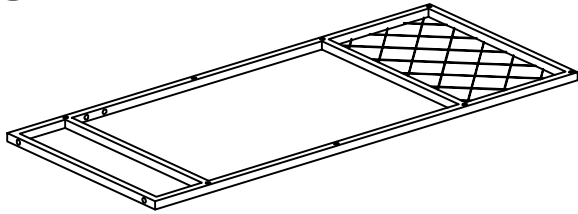
*1

13



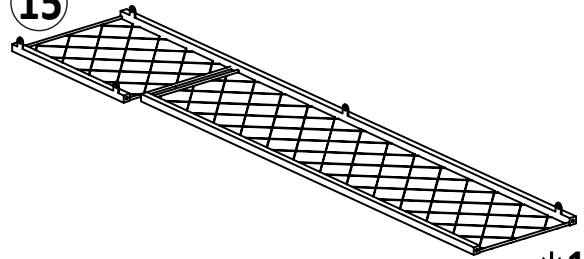
*1

14



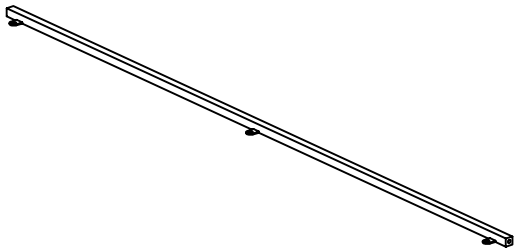
*1

15



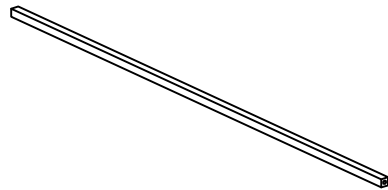
*1

16



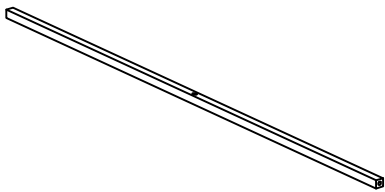
*1

17



*1

18



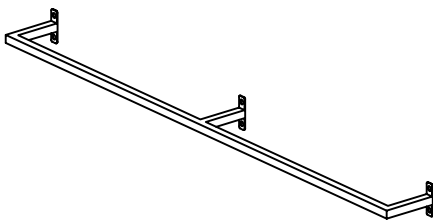
*2

19



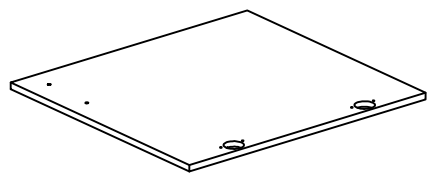
*5

20



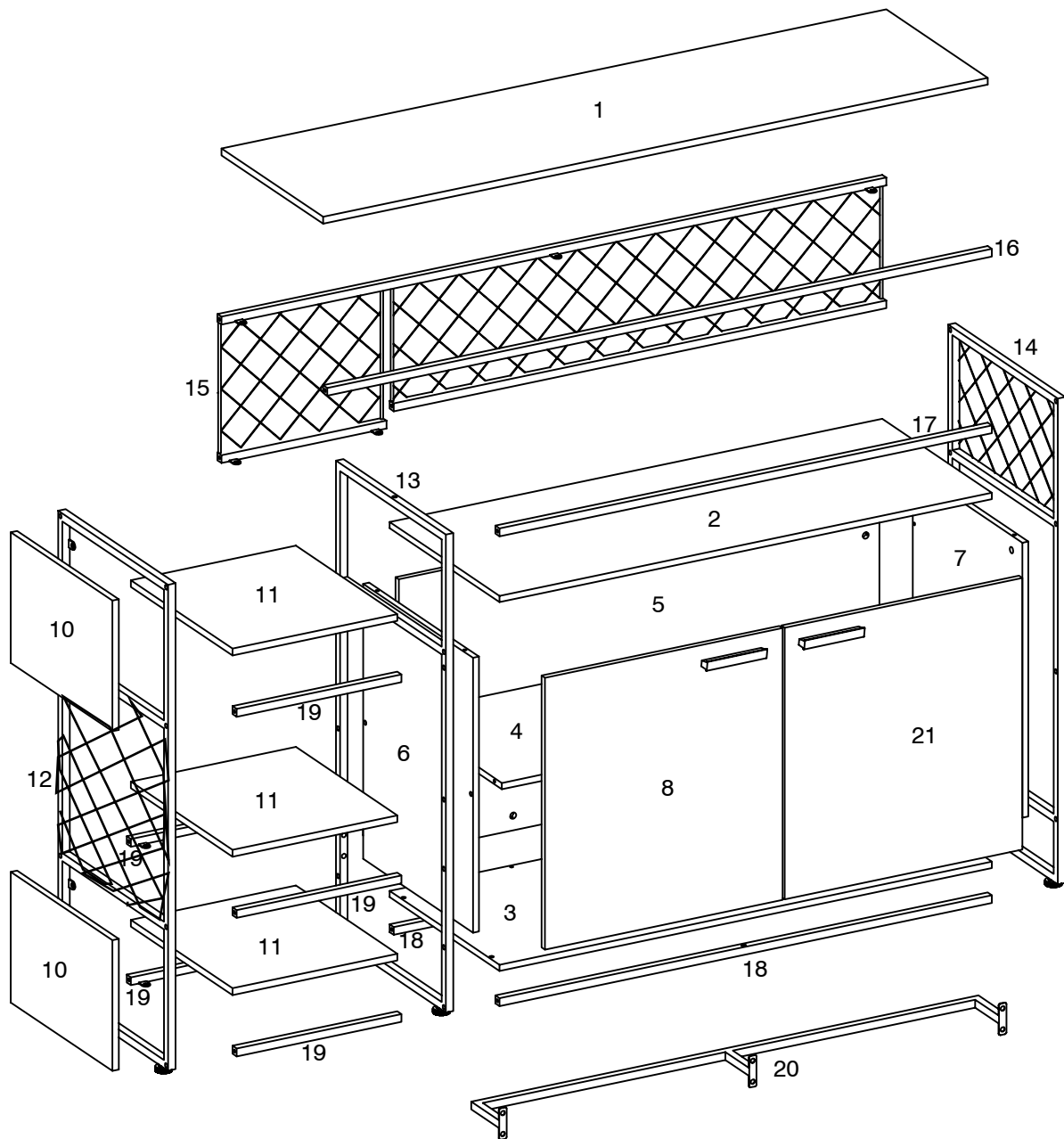
*1

21

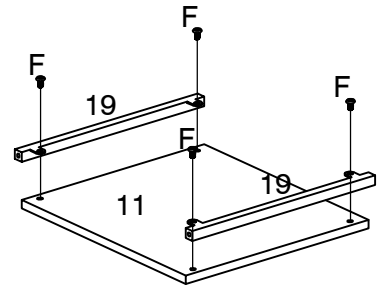
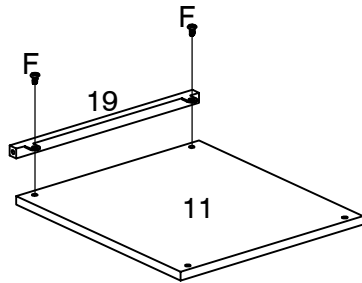
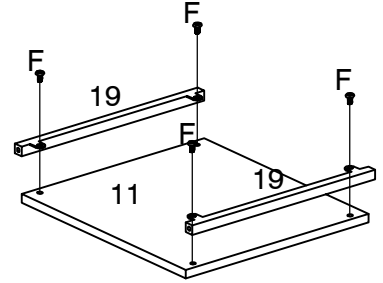
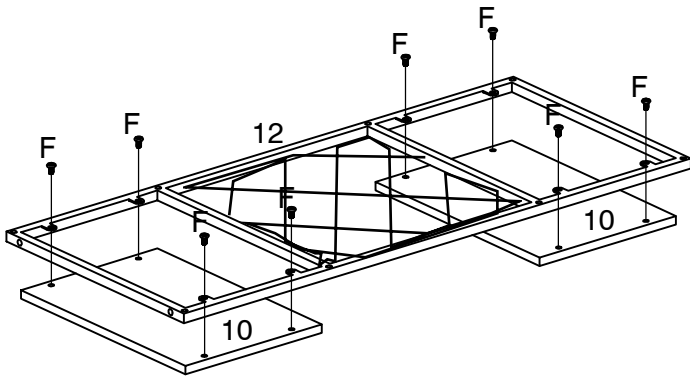


*1

Panel List

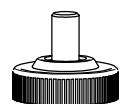
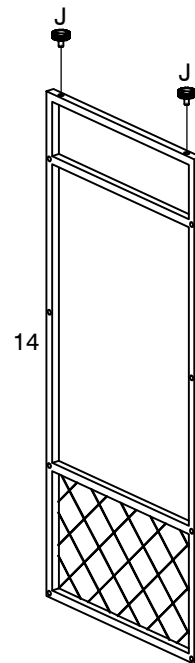
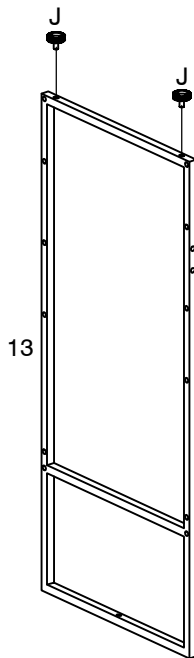
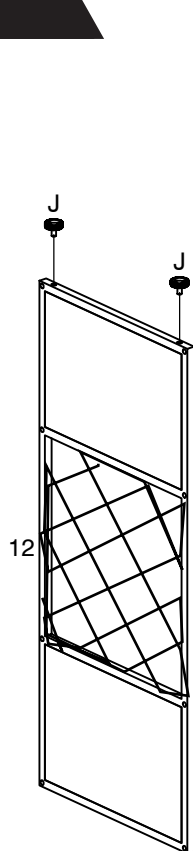


Step 1



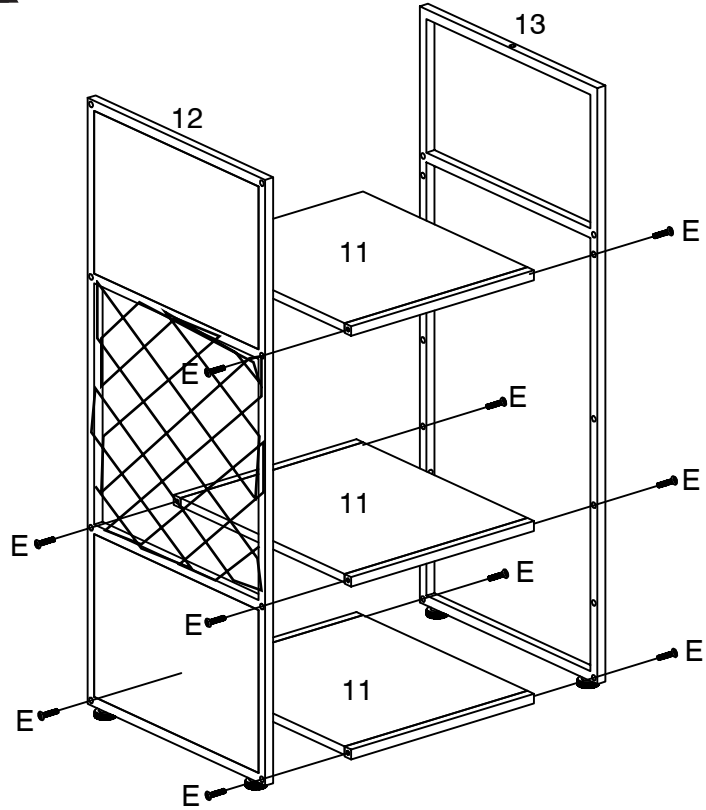
x18

Step 2



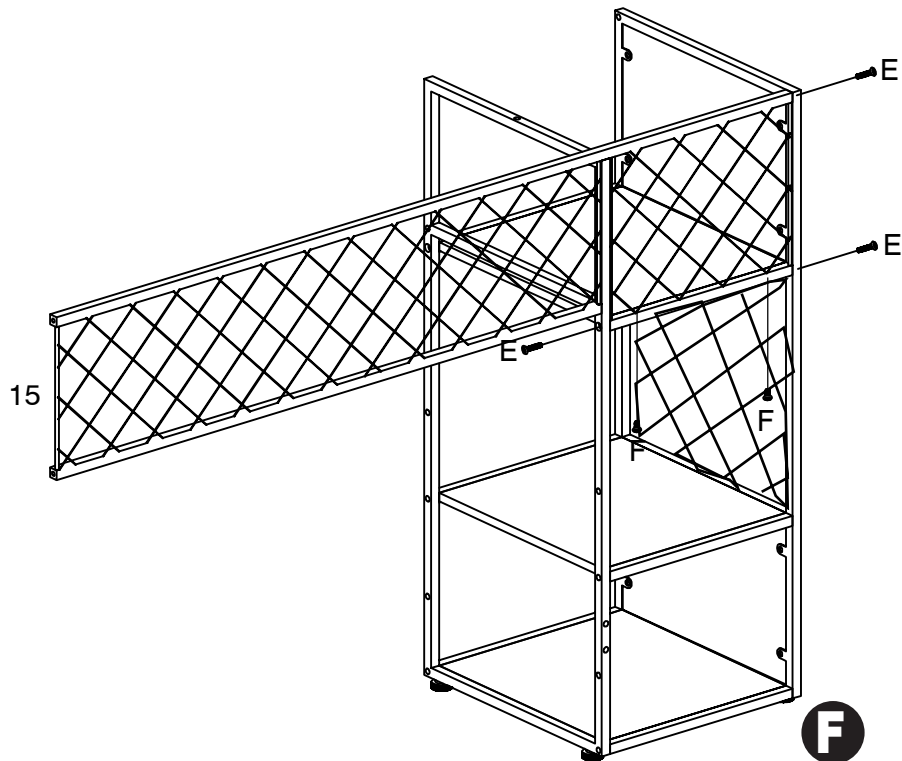
x6

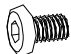
Step 3




E  x10

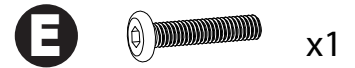
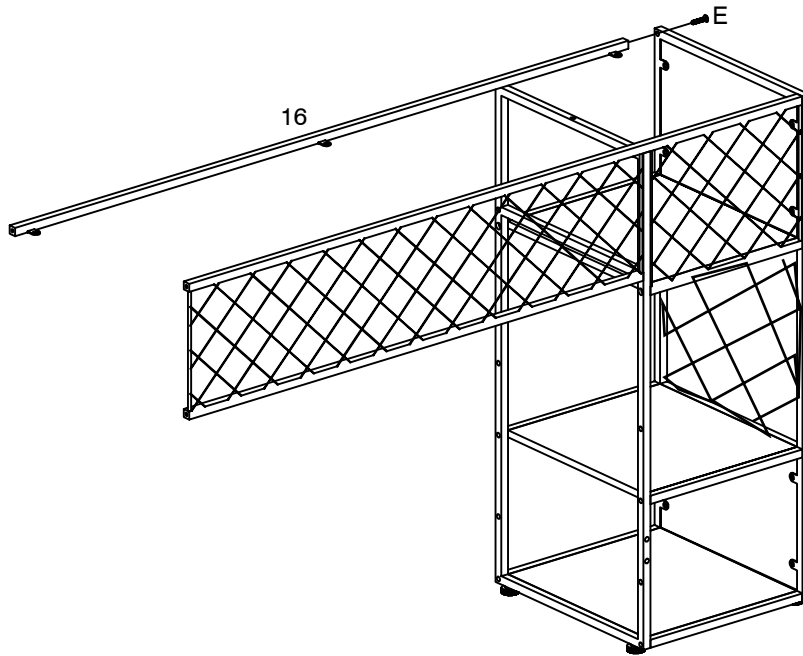
Step 4



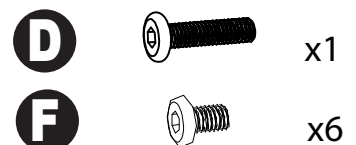
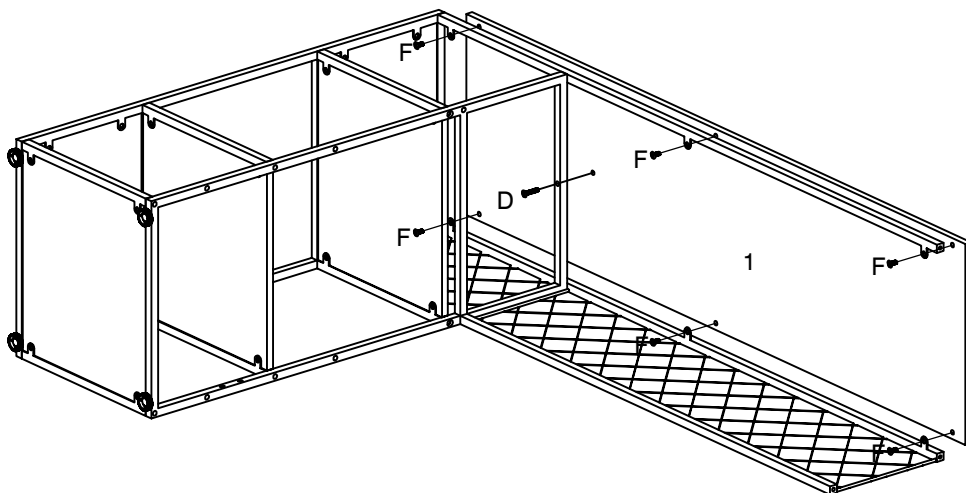
F  x2

E  x4

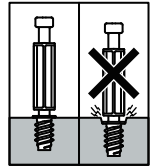
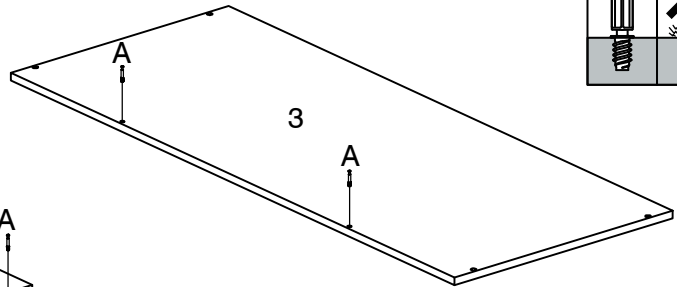
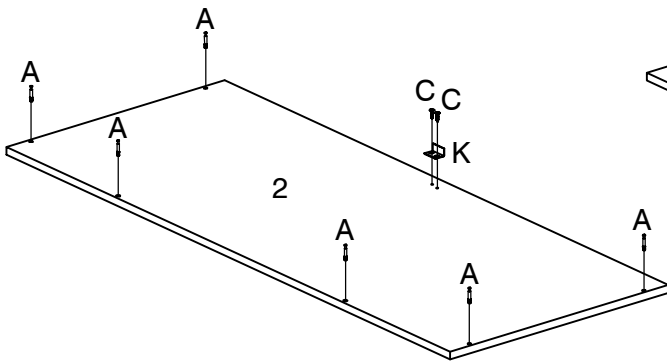
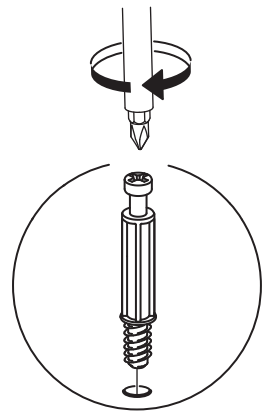
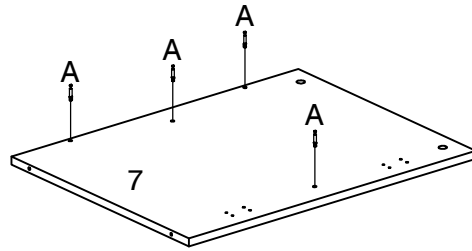
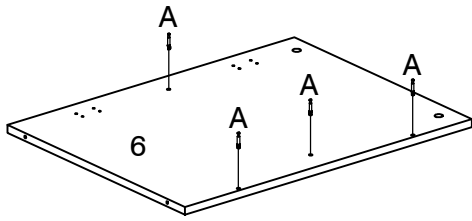
Step 5



Step 6



Step 7



C



x2

K



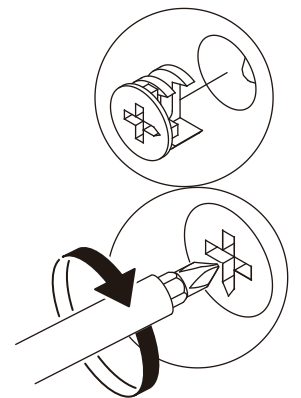
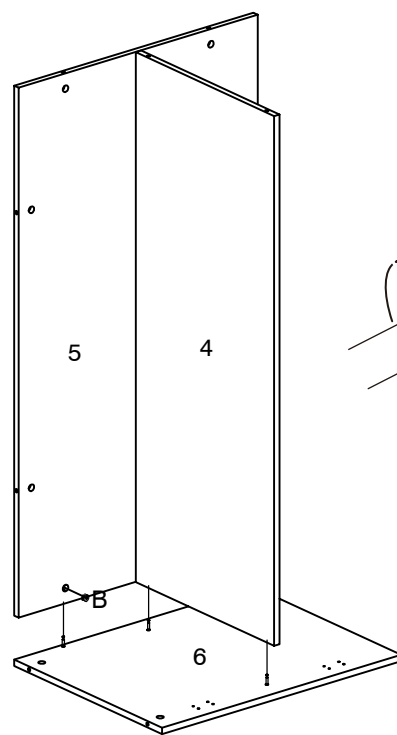
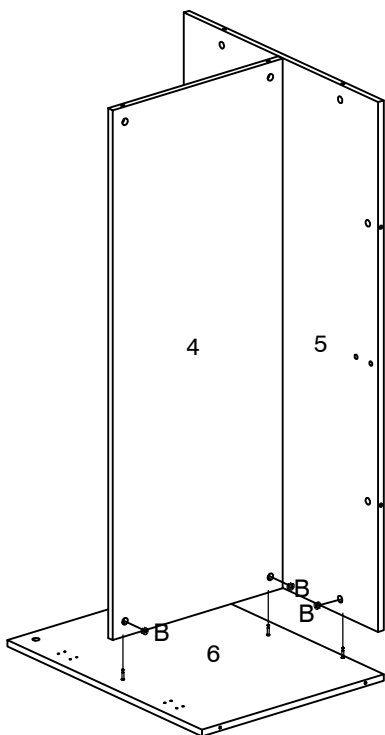
x1

A



x16

Step 8

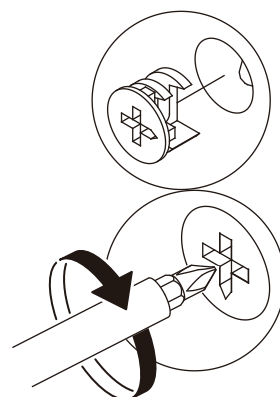
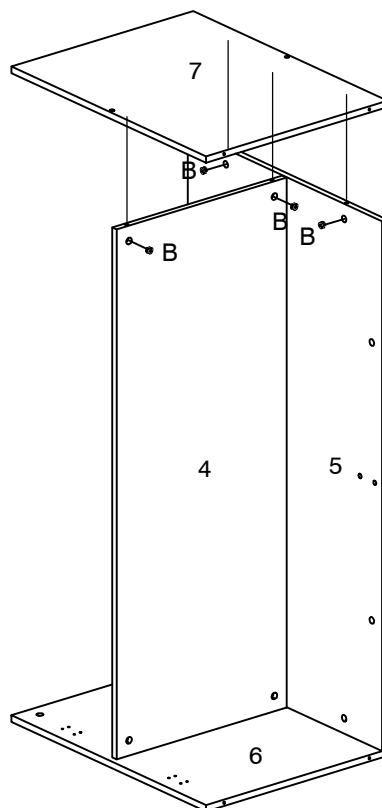


B



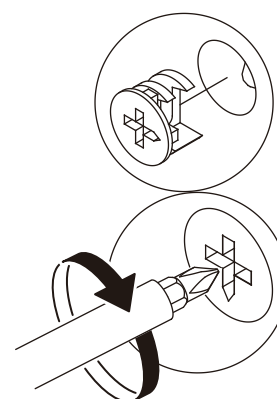
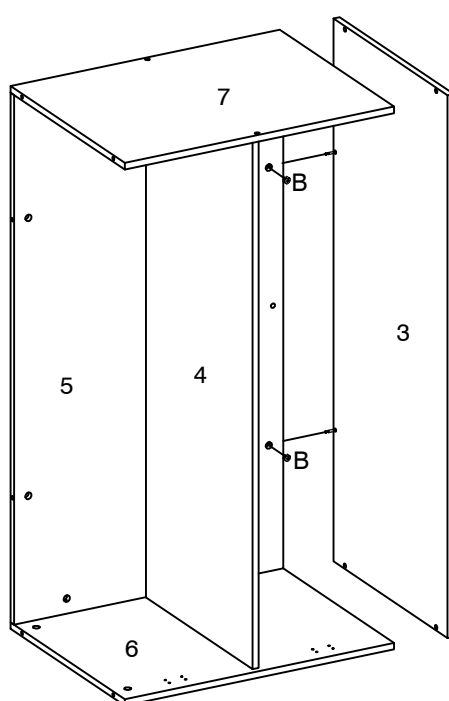
x4

Step 9



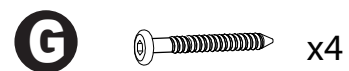
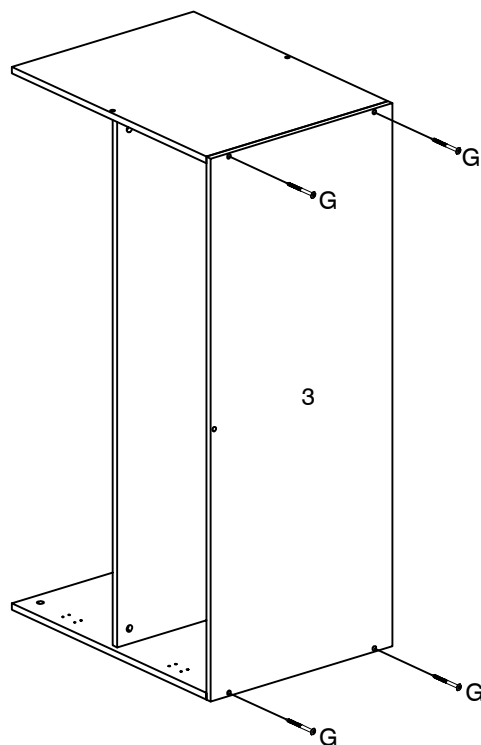
B  x4

Step 10

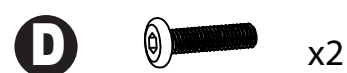
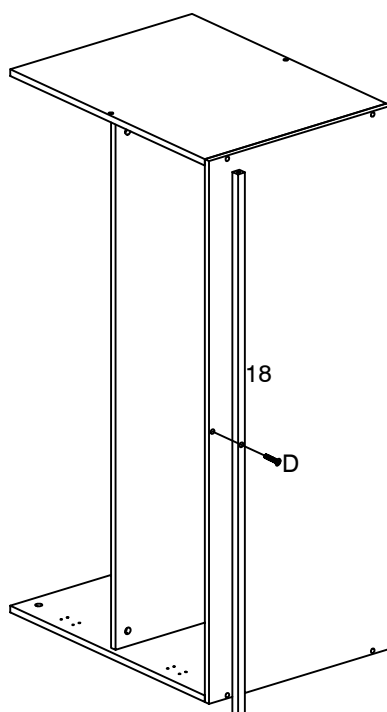


B  x2

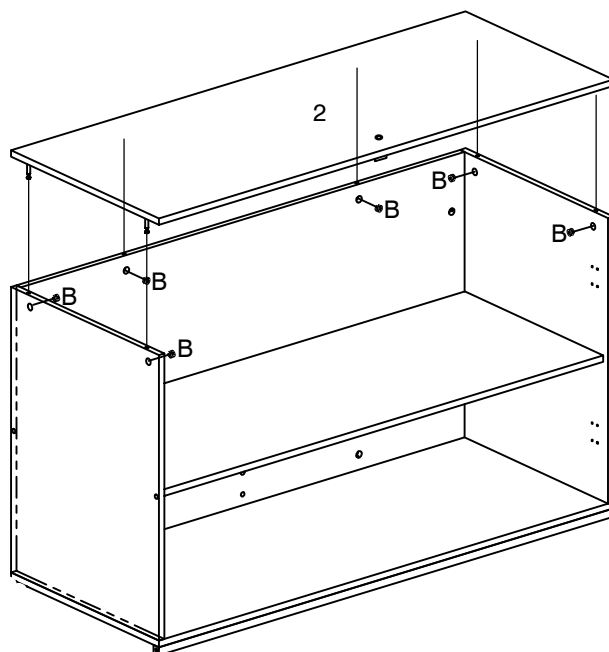
Step 11



Step 12



Step 13

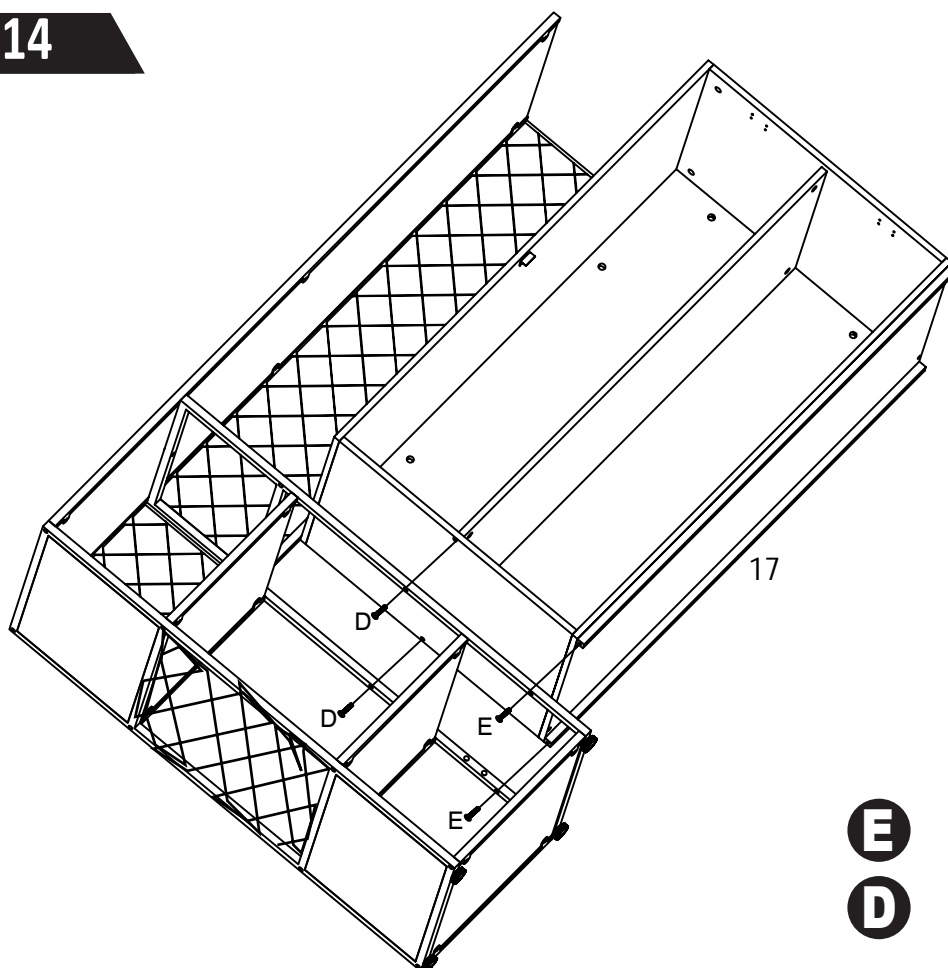


B

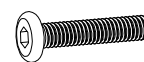


x6

Step 14



E



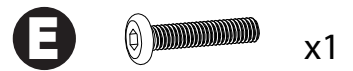
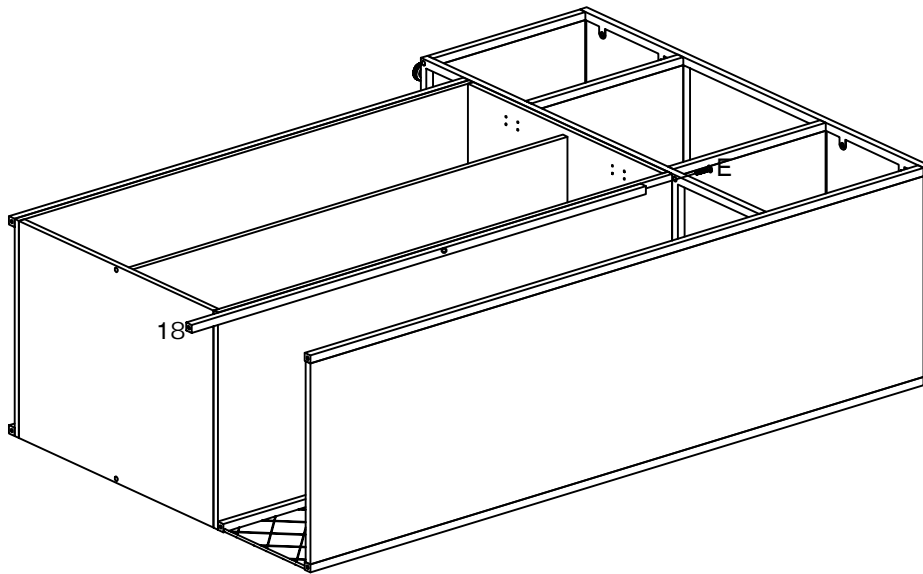
x2

D

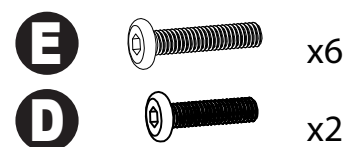
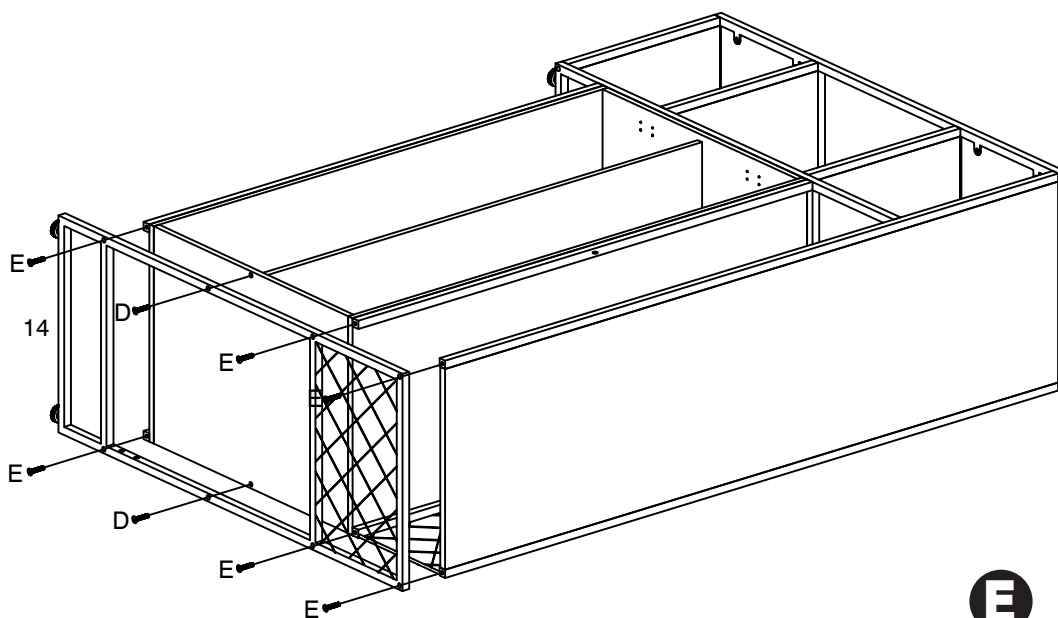


x2

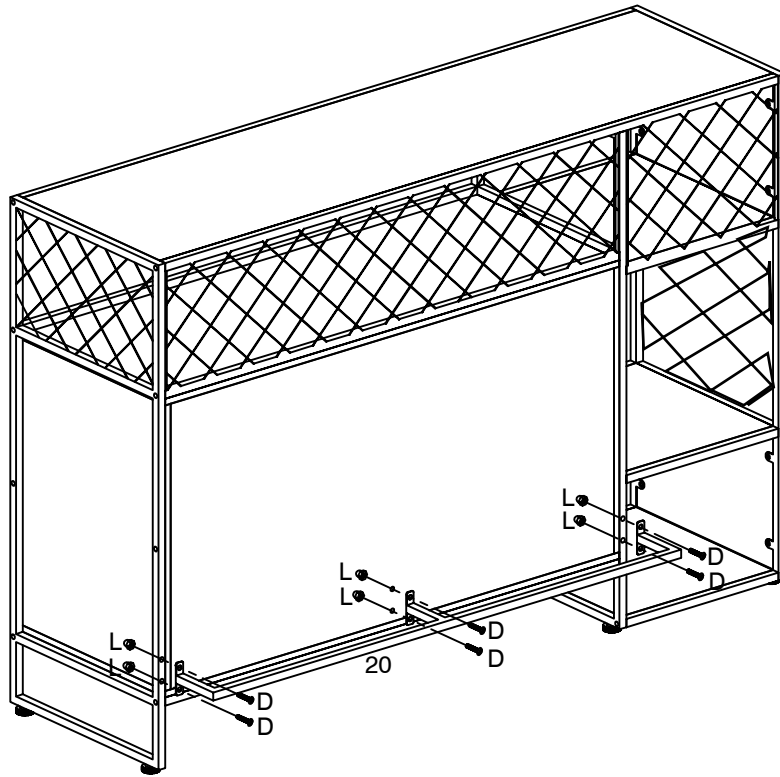
Step 15





Step 16

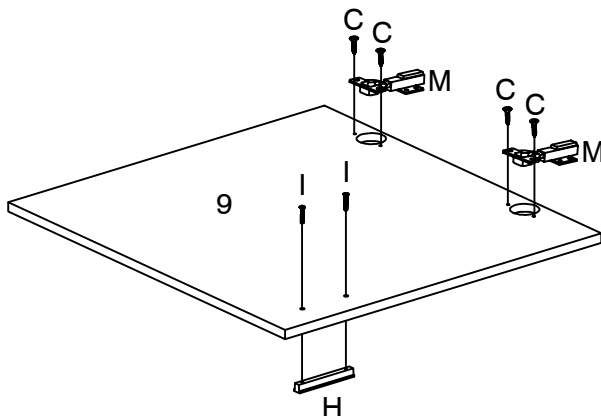
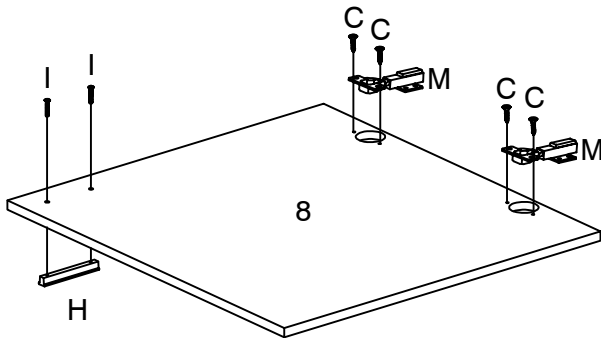


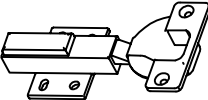



Step 17



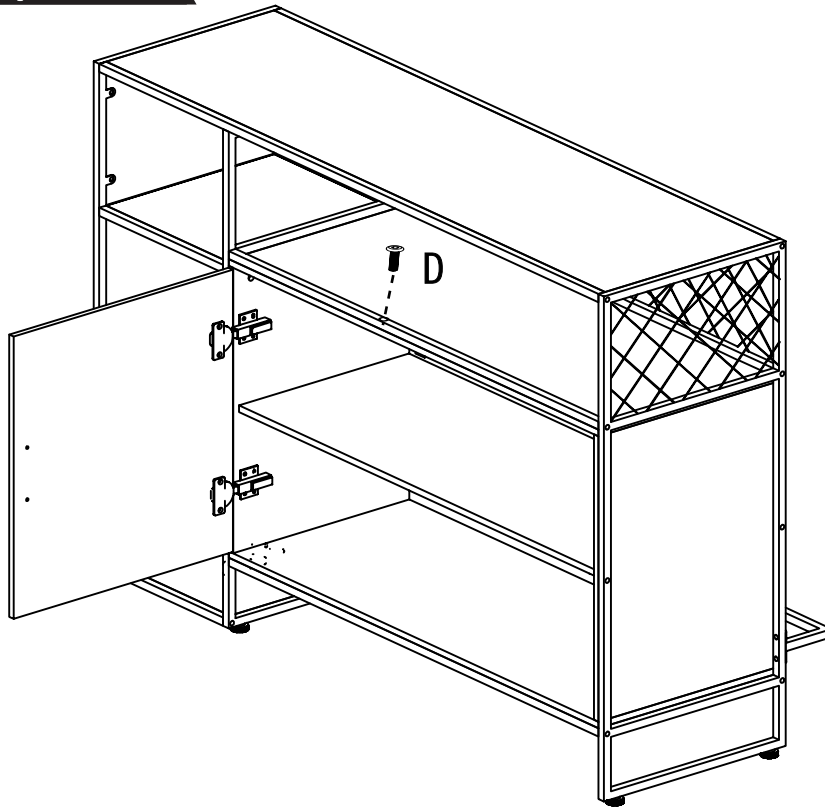
- D**  x6
- L**  x6

Step 18

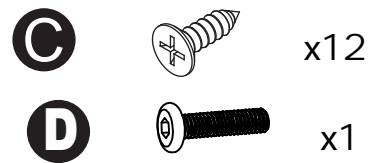


- M**  x4
- C**  x8
- I**  x4
- H**  x2

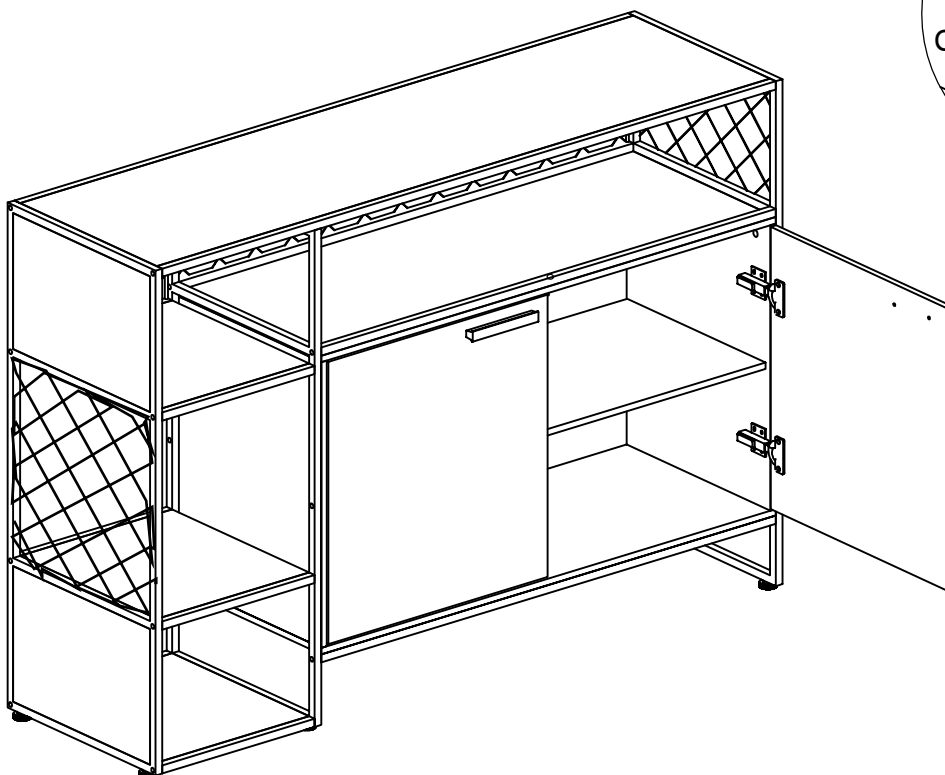
Step 19



x2



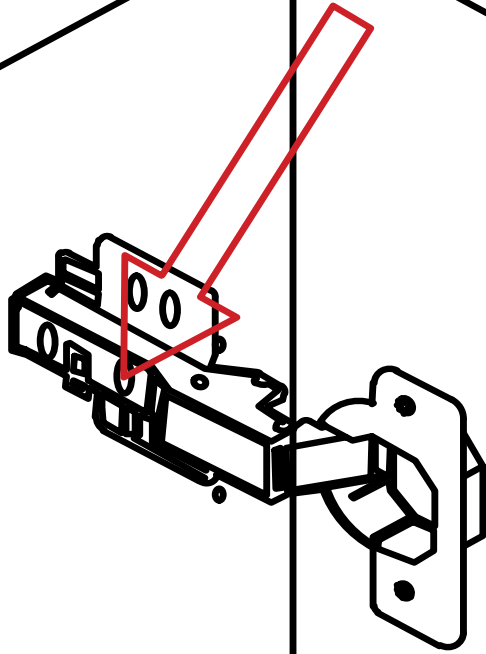
Step 20



x2



This screw is used to adjust the side clearance of the door panel



This screw is used to adjust the gap at the bottom of the door panel

