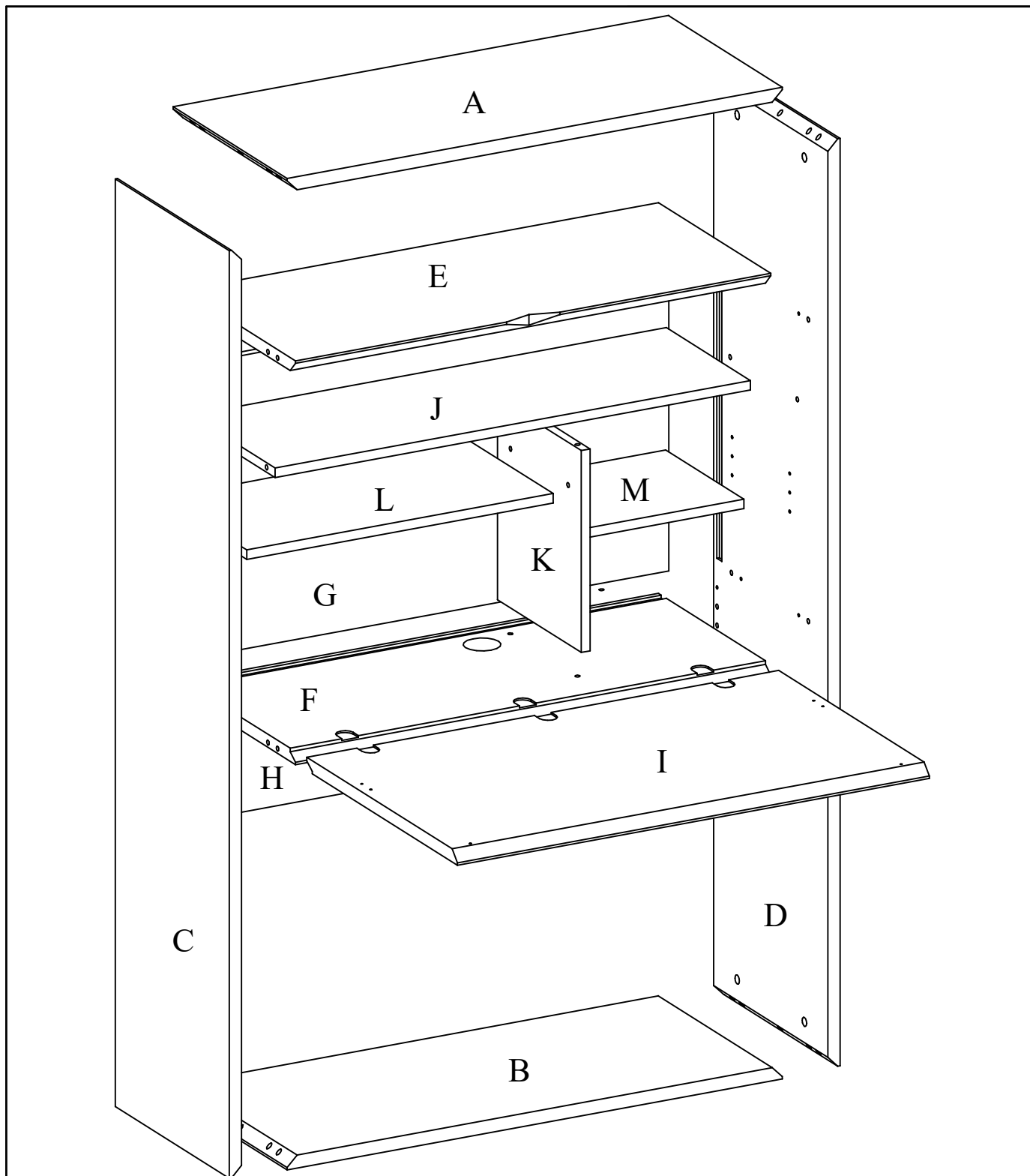


Reference no:



ENG - In case of any quality issues, please contact your local dealer

FR - En cas de problèmes de qualité, s'il vous plaît contacter votre revendeur local

IT - In caso di eventuali problemi di qualità, si prega di contattare il rivenditore locale

DE - Wenn Sie Qualitätsprobleme haben dann wenden Sie sich an Ihren örtlichen Händler.

ES - En caso de cualquier problema de calidad, por favor, póngase en contacto con su distribuidor local

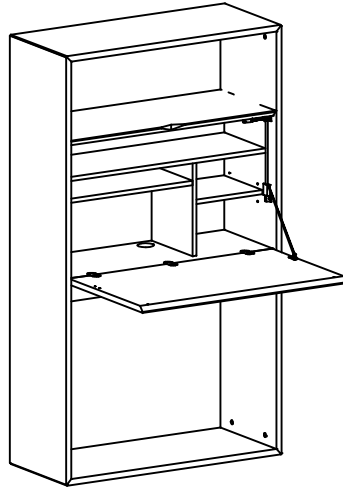
ENG - Please mention item reference No


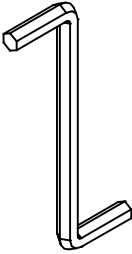
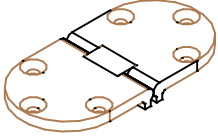
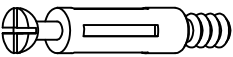
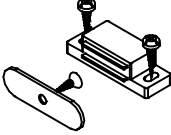

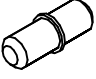

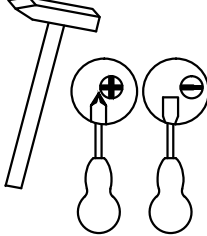
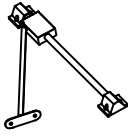
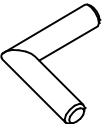

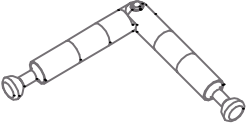
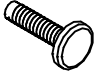
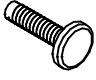
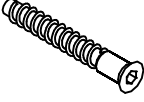
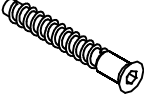

FR - S'il vous plaît mentionner la référence de l'article

IT - Si prega di citare riferimento elemento

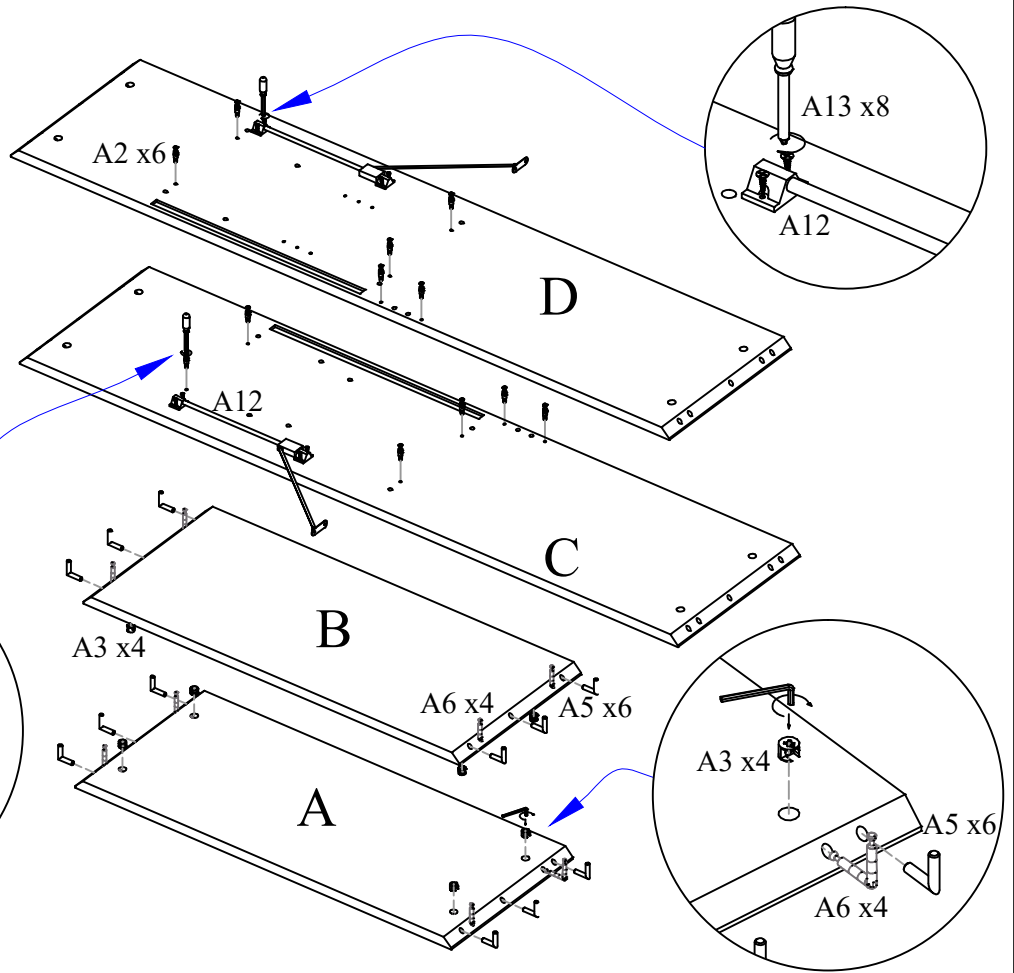
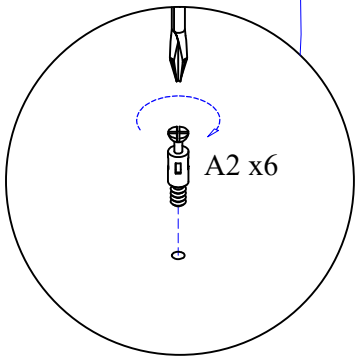
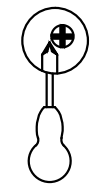
DE - Bitte geben Sie unten die Ref. Nr des Artikels an

ES - Por favor mencionar la referencia del artículo

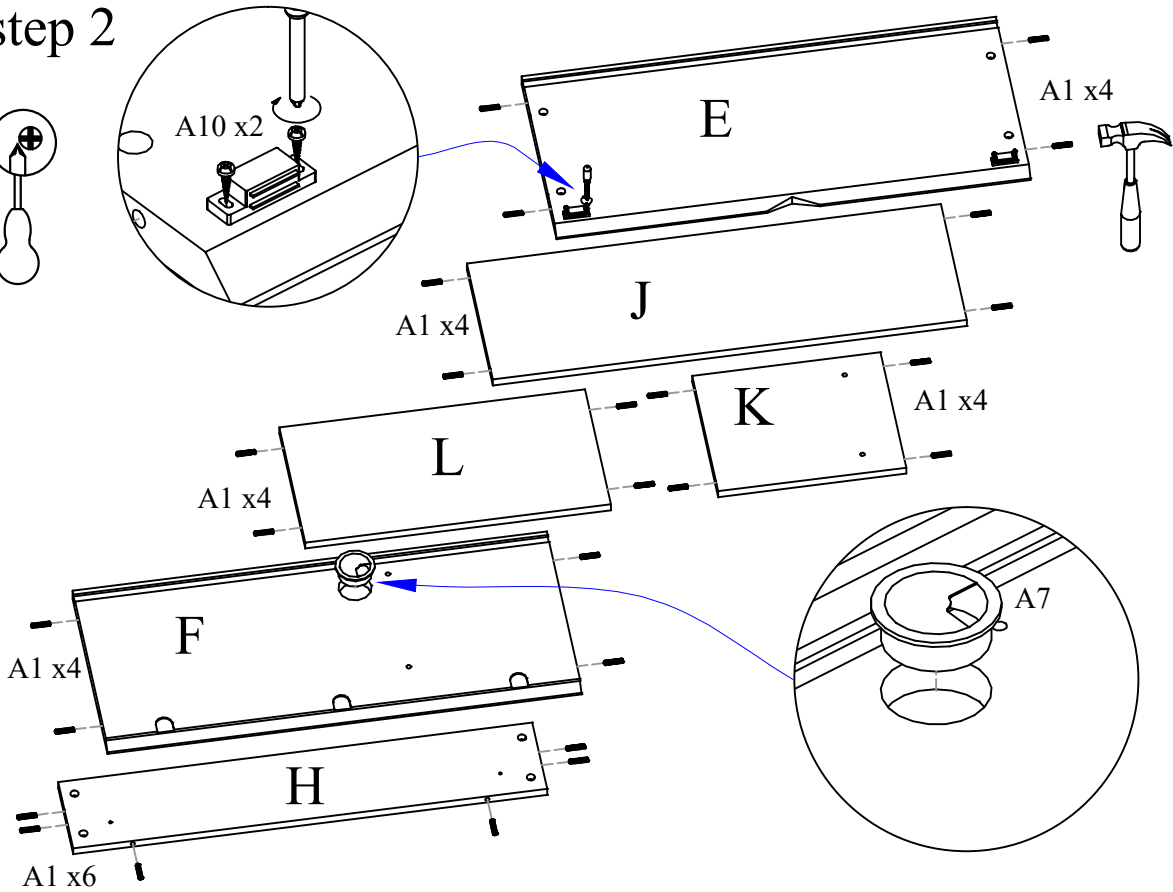
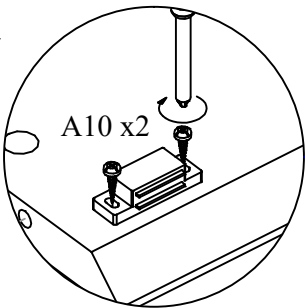
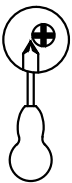


<p>A1 Ø8x35</p>  <p>x26</p>	 <p>43 mm</p>	<p>A9</p>  <p>x3</p>
<p>A2</p>  <p>Ø7x24</p> <p>x12</p>		<p>A10</p> <p>(Ø3,5x16/ Ø2,5x15)</p>  <p>x2</p>
<p>A3</p>  <p>Ø15x12</p> <p>x28</p>		<p>A11</p>  <p>x4</p>
<p>A4</p>  <p>x24</p>		<p>A12</p> <p>292mm</p>  <p>x2</p>
<p>A5</p>  <p>x12</p>		<p>A13</p> <p>Ø3,0x15</p>  <p>x8</p>
<p>A6</p>  <p>x8</p>		<p>A14</p>  <p>x4</p>
<p>A7</p> <p>Ø60</p>  <p>x1</p>		<p>A15</p>  <p>x1</p>
<p>A8</p> <p>Ø3,5x15</p>  <p>x22</p>		

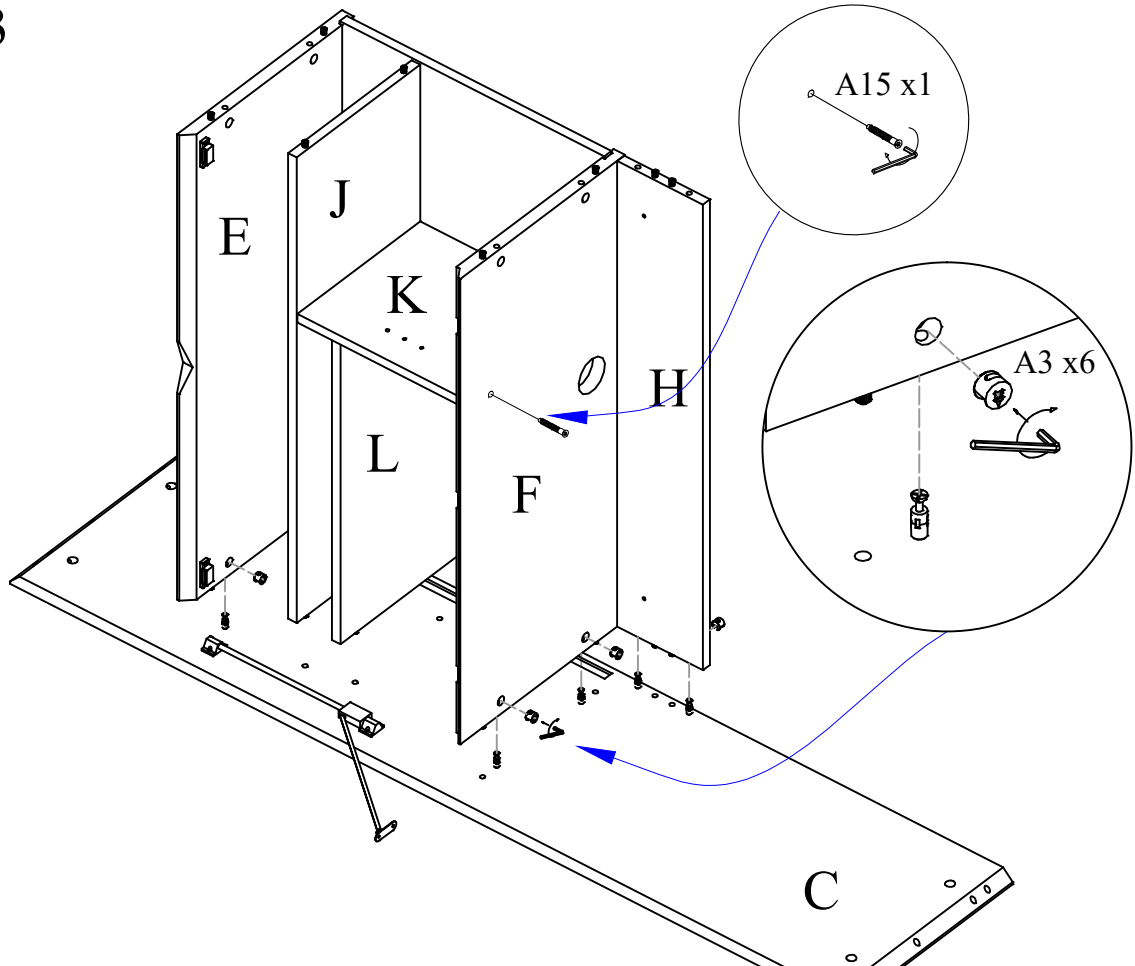
step 1



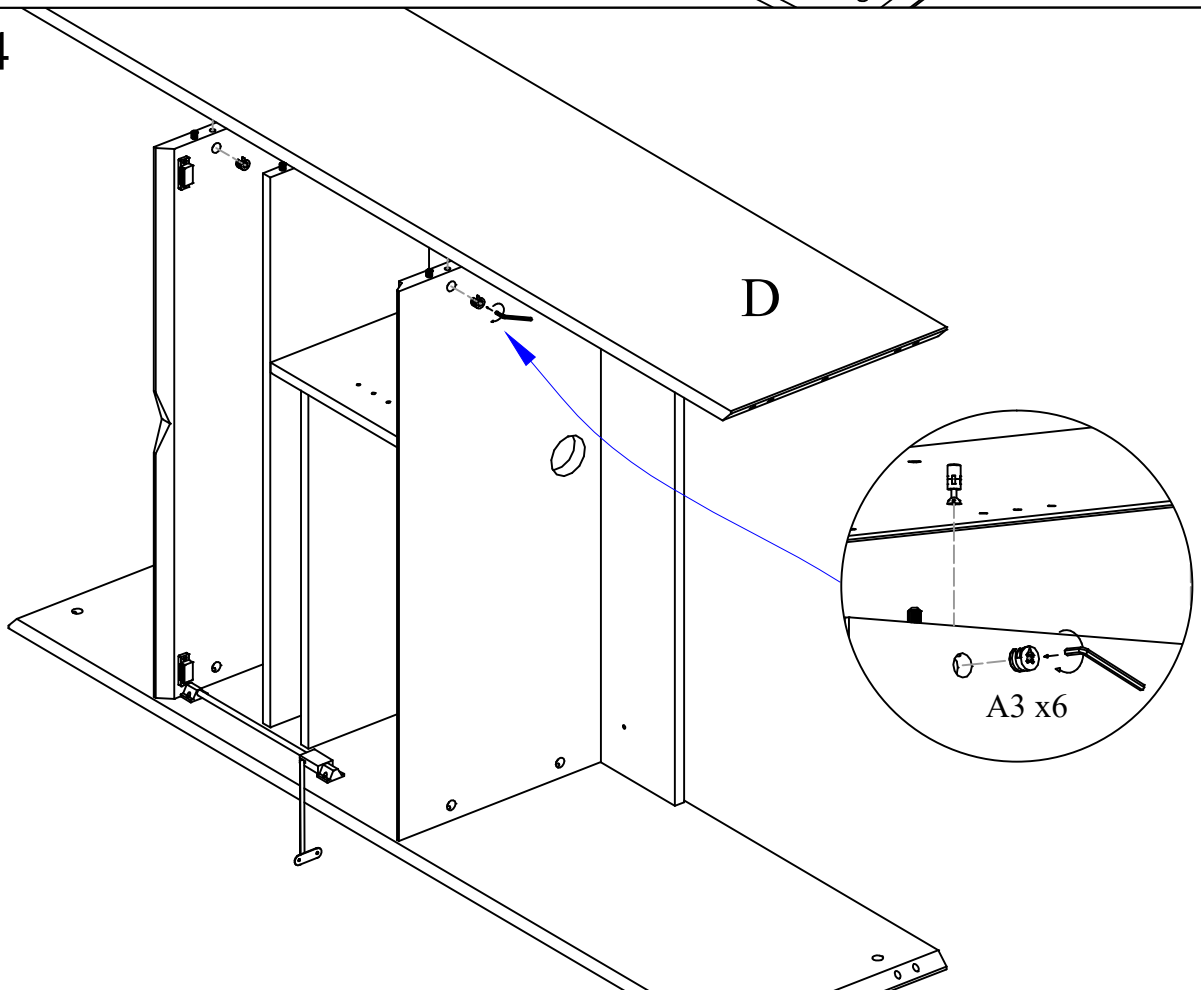
step 2



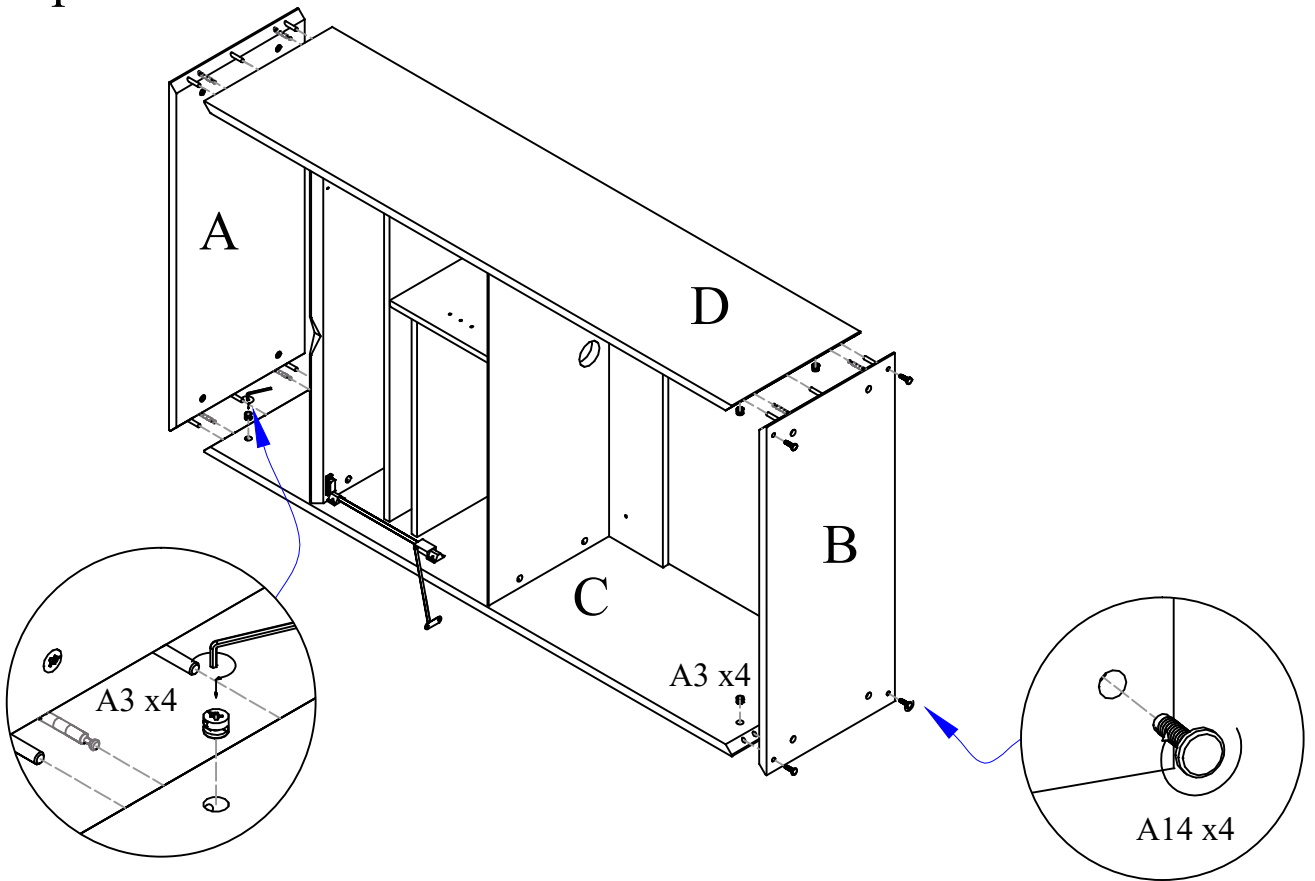
step 3



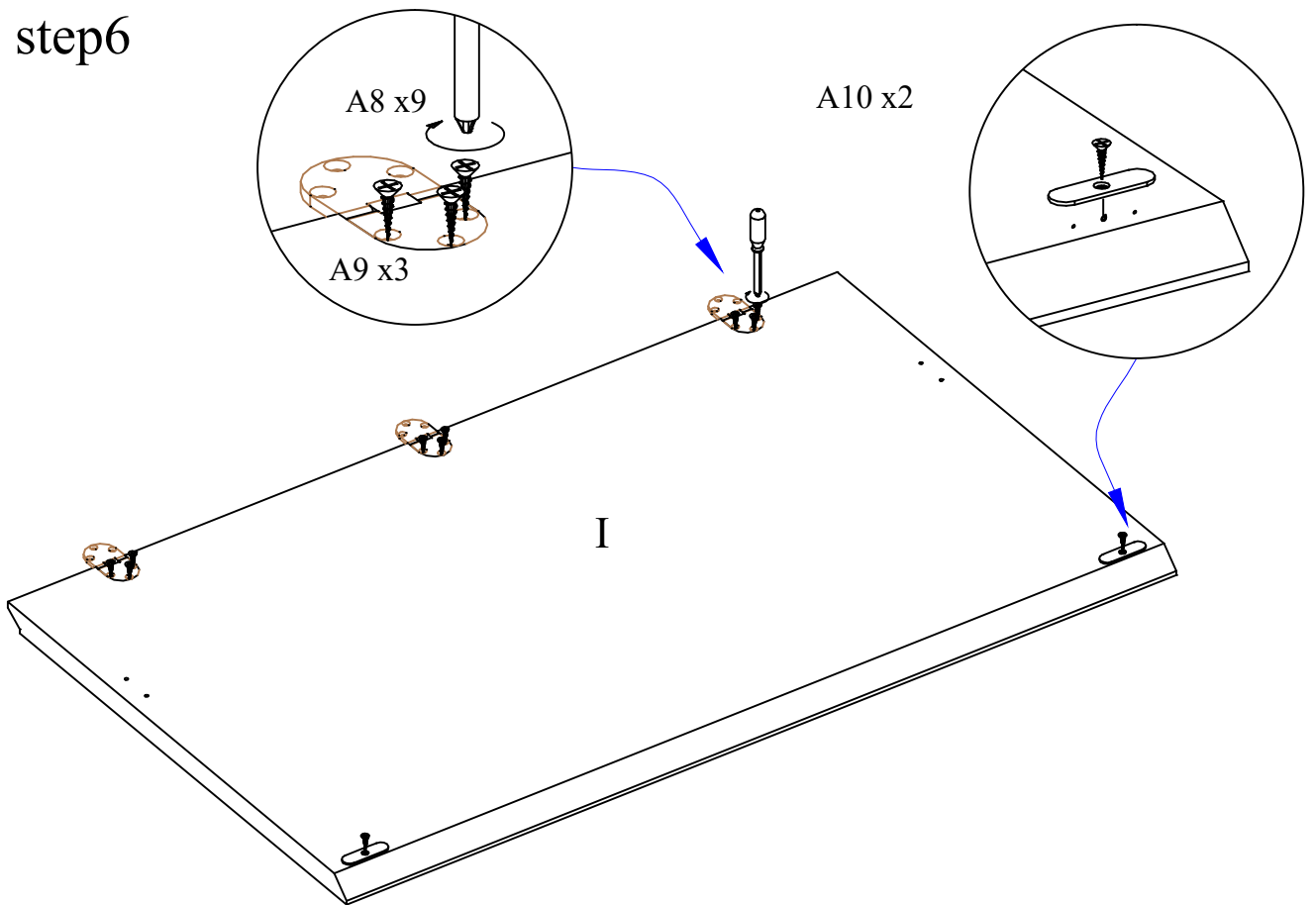
step 4



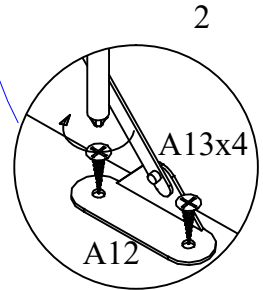
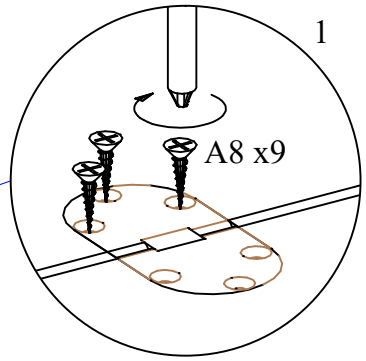
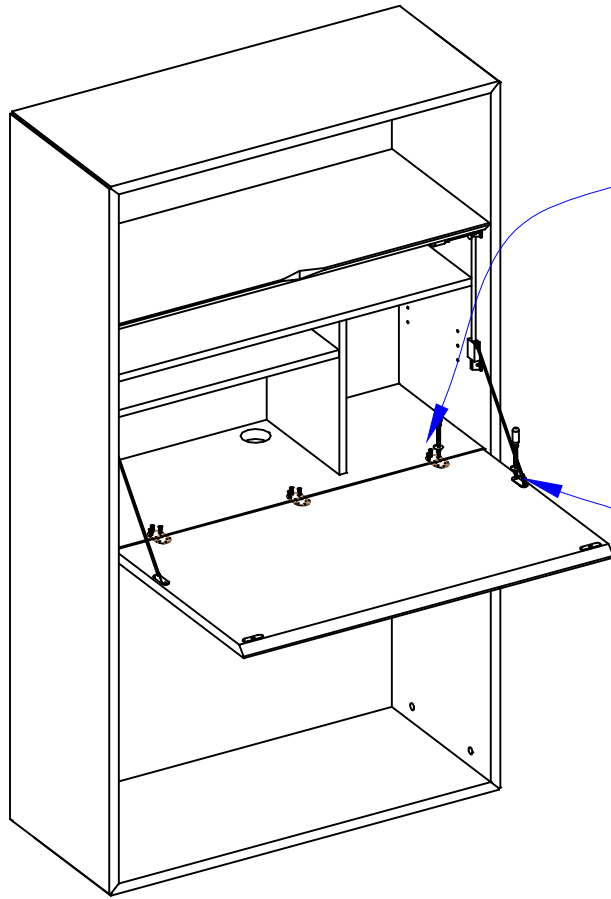
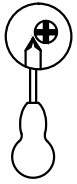
step 5



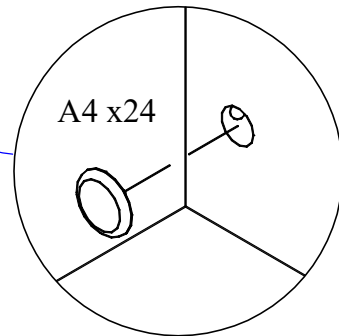
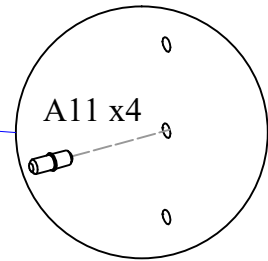
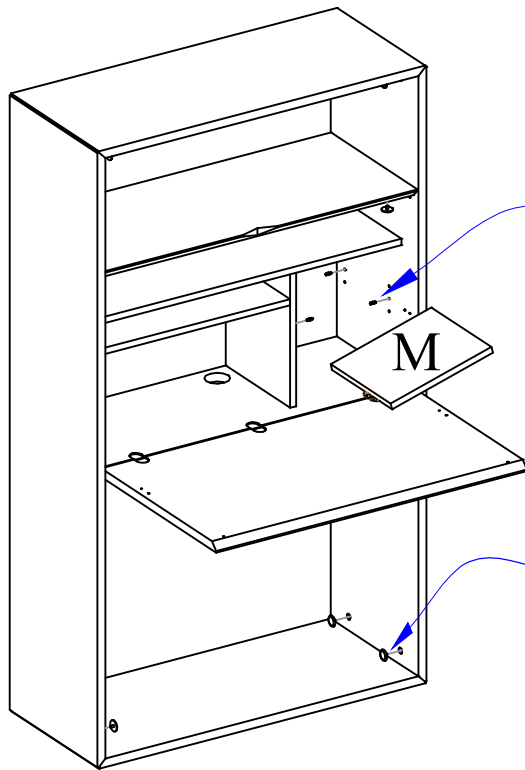
step 6



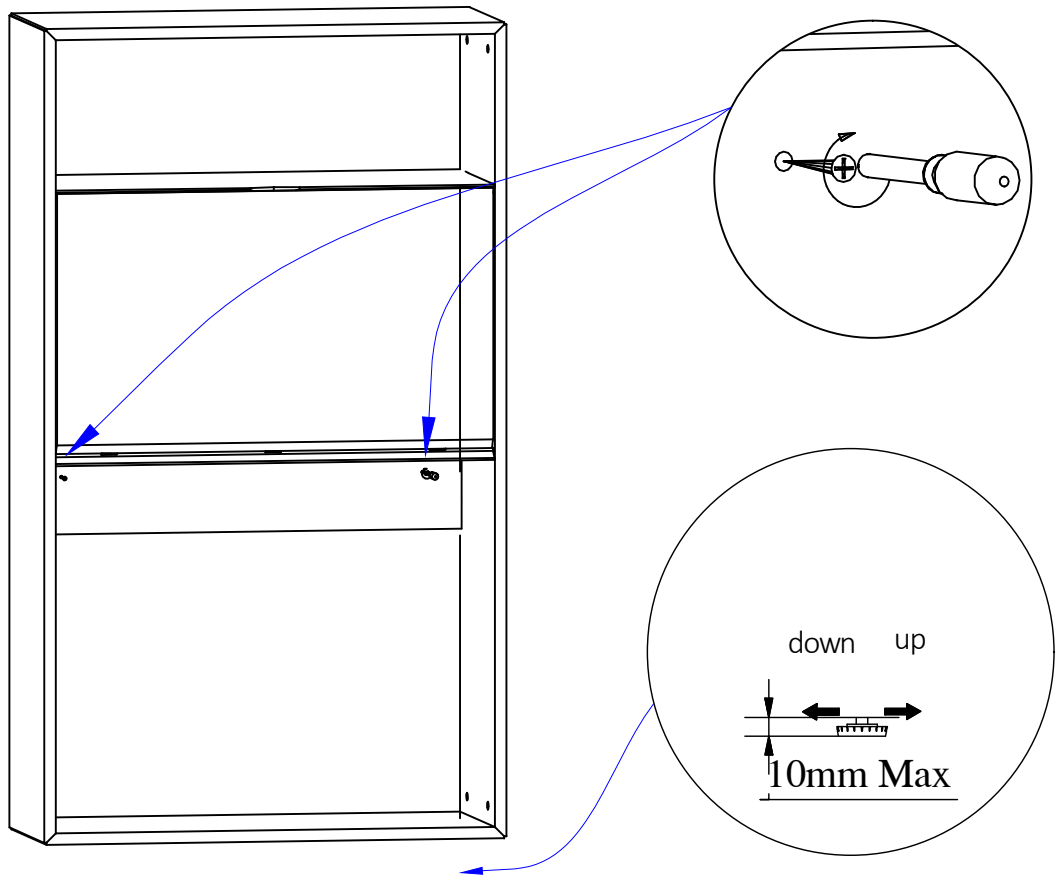
step 7



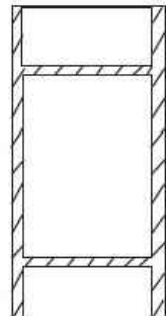
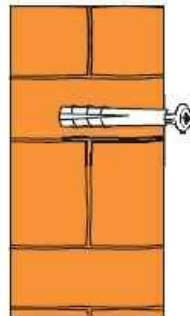
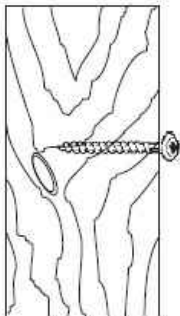
step 8



step 9



Wall fixing - if in doubt seek professional advice
 Fixation murale - en cas de doute, consultez un professionnel.
 Wandhalterung - im Zweifelsfall suchen Sie Rat bei einem Fachmann.
 Fissaggio alla parete - in caso di dubbi consultare un professionista



Wood If fixing to wood make sure that it isn't chipboard as screws can easily pull away from the core structure
Bois Si la fixation est dans du bois, assurez-vous que cela ne soit pas de l'aggloméré car les vis peuvent facilement se détacher du cœur de la structure
Holz Bei der Befestigung an Holz achten Sie bitte darauf, dass es sich nicht um eine Spanplatte handelt, da Schrauben sehr leicht aus der Kernstruktur herausgezogen werden können.
Legno In caso di fissaggio su legno assicurarsi che lo stesso non sia truciolato in quanto le viti potrebbero fuoriuscire dalla struttura principale

Brick or Masonry
 Use an appropriate wall plug provided you are sure your wall is sound
Brique ou maçonnerie
 Utilisez une cheville adéquate à condition que vous soyez sûr que votre mur est solide
Ziegel oder Gemäuer
 Nehmen Sie einen geeigneten Dübel, sofern Sie sicher sind, dass Ihre Wand intakt ist.
Mattoni o muratura
 Usare un tassello appropriato dopo aver verificato la solidità della parete.

Cavity well
 Special toggle wall plugs are needed. Seek expert advice.
Mur creux
 Des chevilles spéciales à rétraction sont nécessaires. Consultez un expert.
Hohlwand
 Hierfür werden besondere Kippdübel benötigt. Wenden Sie sich bitte an einen Fachmann.
Intercapedine
 Sono necessari tasselli speciali. Rivolgersi a un esperto.



Safety and Care Advice

Important - Please read these instructions fully before starting assembly

Check you have all the components and tools.

Remove all fittings from the plastic bags and separate them into their groups.

Keep children and animals away from the work area, small parts could choke if swallowed.

Make sure you have enough space to layout the parts before starting.

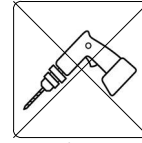
Do not stand or put weight on the product, this could cause damage.

Assemble the item as close to its final position (in the same room) as possible. Do not place furniture directly in front of radiators, fires or any other source of heat.



Parts of the assembly will be easier with 2 people.

Assemble on a soft level surface to avoid damaging the unit or your floor.



We do not recommend the use of power drill/drivers for inserting screws, as this could

damage the unit. Only use hand screwdrivers.

Dispose of all packaging carefully and responsibly.

General care and maintenance

Only clean using a damp cloth and mild detergent, do not use bleach or abrasive cleaners.

From time to time check that there are no loose screws and connectors on this unit.

This product should not be discarded with household waste. Take to your local authority waste disposal centre.

Cleaning and care of high gloss surfaces

Regular dusting with a dry cloth will keep your units clean.

Clean marks with a damp cloth.

Do not allow spillages to stay on the surface for long.

Do not clean with products containing the following: Acetone, (e.g. nail varnish remover). Ammonia (e.g. bleach). or Sodium hydroxide (e.g. Caustic soda, drain and oven cleaners).

Do not use abrasive cleaners.

To remove stubborn stains, wipe over with a damp cloth and washing up liquid.

In the event of accidental contact with aggressive cleaners, rinse thoroughly with water.

Use place mats to protect the surface from moisture and heat.

Maximum weight limit

