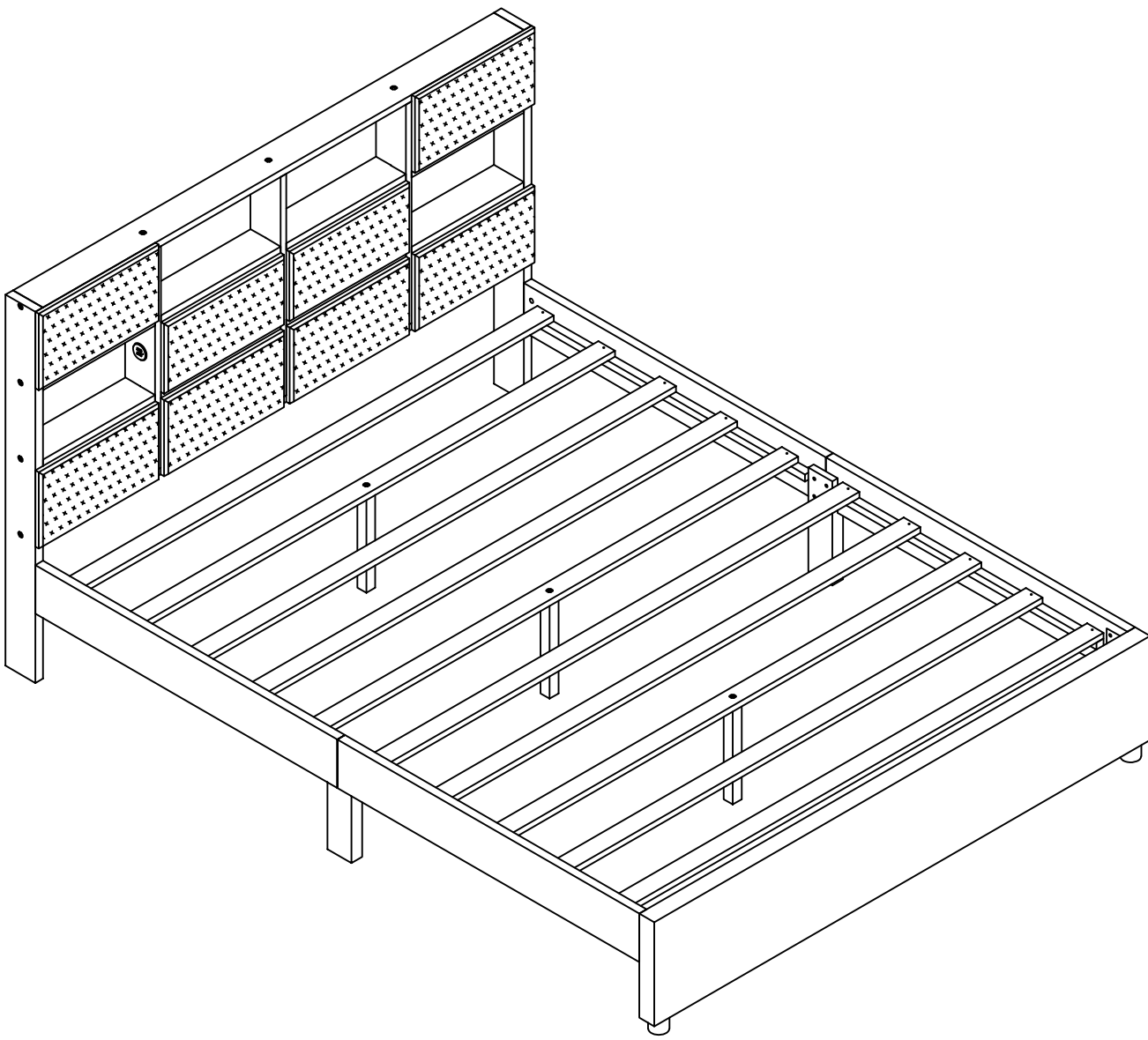
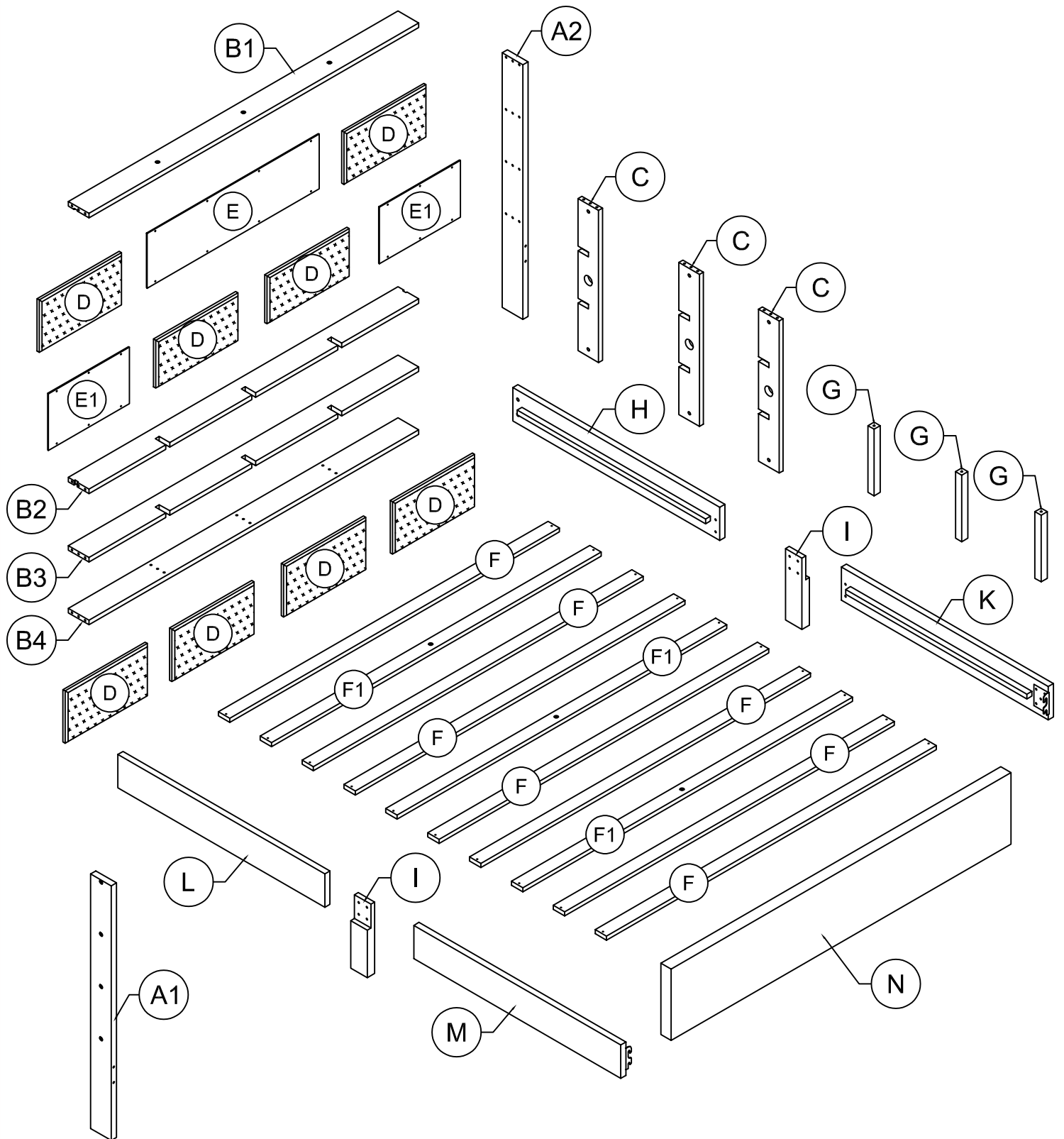


# ASSEMBLY INSTRUCTION

SKU CODE: (WF322393/WF322394)

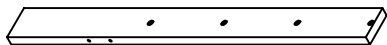


# ASSEMBLY INSTRUCTION



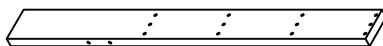
# Part List (WF322393)

A1



Leg (HB Font) - 1pcs

A2



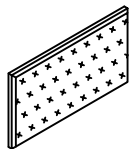
Leg (HB Font) - 1pcs

C



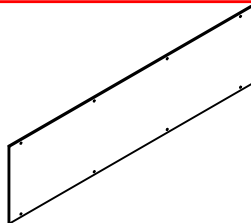
Vertical bar - 3pcs

D



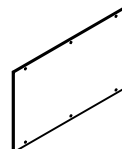
Panel (HB) - 8pcs

E



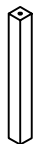
Back panel - 1pcs

E1



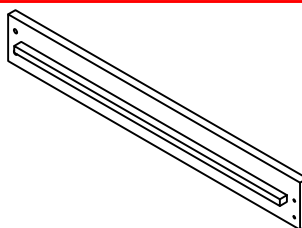
Back panel - 2pcs

G



Leg support - 3pcs

H



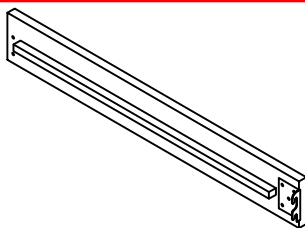
Side rails - 1pcs

I



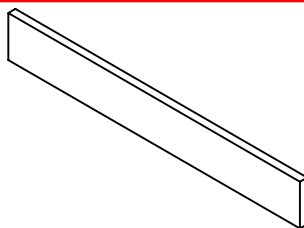
Leg support - 2pcs

K



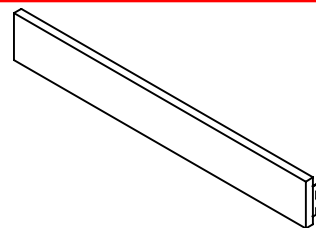
Side rails - 1pcs

L



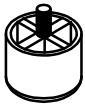
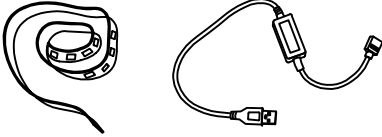

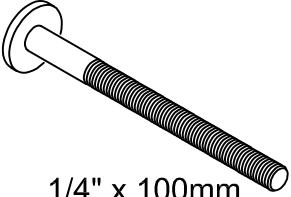
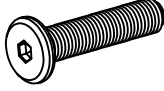
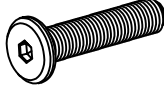


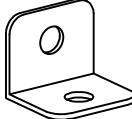
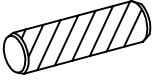
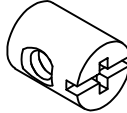
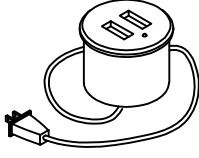
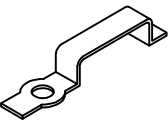

Side rails - 1pcs

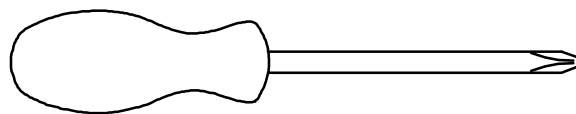
M



Side rails - 1pcs

# Hardware List (WF322393)

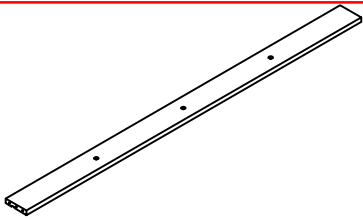
<p>1</p>  <p>Plastic Feet(Ø50x40) 2pcs</p>	<p>2</p>  <p>Led 2pcs</p>	<p>3</p>  <p>Allen Key 1pcs</p>
<p>4</p>  <p>1/4" x 100mm Hex-Head bolts 4pcs</p>	<p>5</p>  <p>1/4" x 30mm Hex-Head bolts 15pcs</p>	<p>6</p>  <p>1/4" x 50mm Hex-Head bolts 14pcs</p>
<p>7</p>  <p>M4 x 15 mm Wood Screws 84pcs</p>	<p>8</p>  <p>M4 x 30 mm Wood Screws 20pcs</p>	<p>9</p>  <p>Steel bracket 32pcs</p>
<p>10</p>  <p>Ø8 x 30 mm Wood dowel 28pcs</p>	<p>11</p>  <p>Ø11.5 x 15 mm Horizontal-Hole bolts 18pcs</p>	<p>12</p>  <p>USB Power Socket 2pcs</p>
<p>13</p>  <p>1</p>  <p>2</p> <p>Plastic clamp 10pcs</p>		



**Assembly Tools Required (Not Included)**

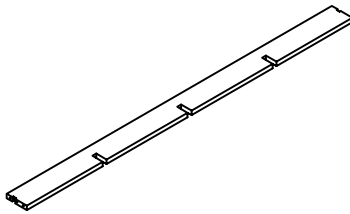
# Part List (WF322394)

B1



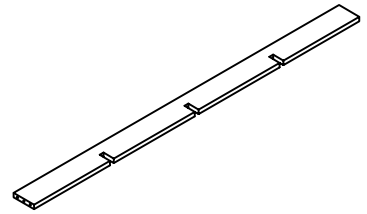
Cross bar - 1pcs

B2



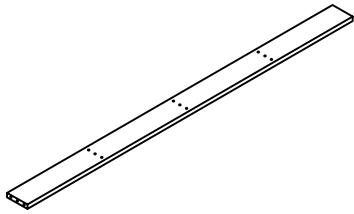
Cross bar - 1pcs

B3



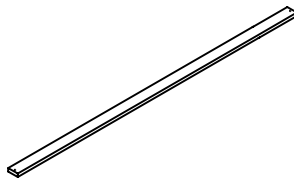
Cross bar - 1pcs

B4



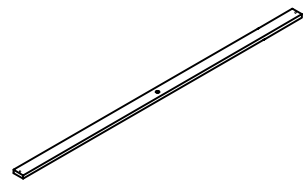
Cross bar - 1pcs

F



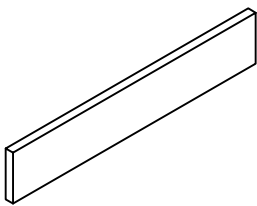
Slats - 7pcs

F1





Slats - 3pcs

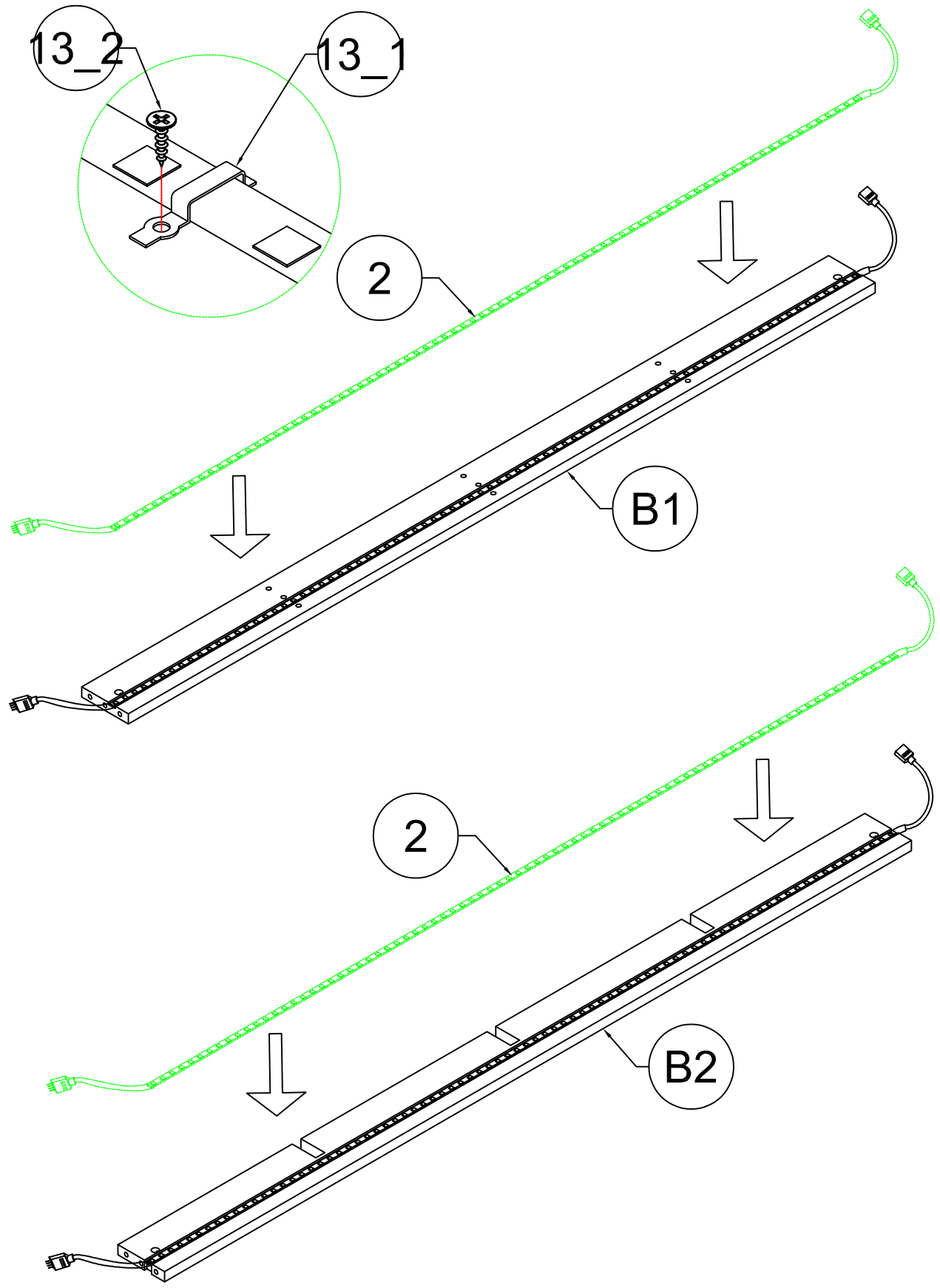
N



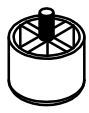
Foot board - 1pcs

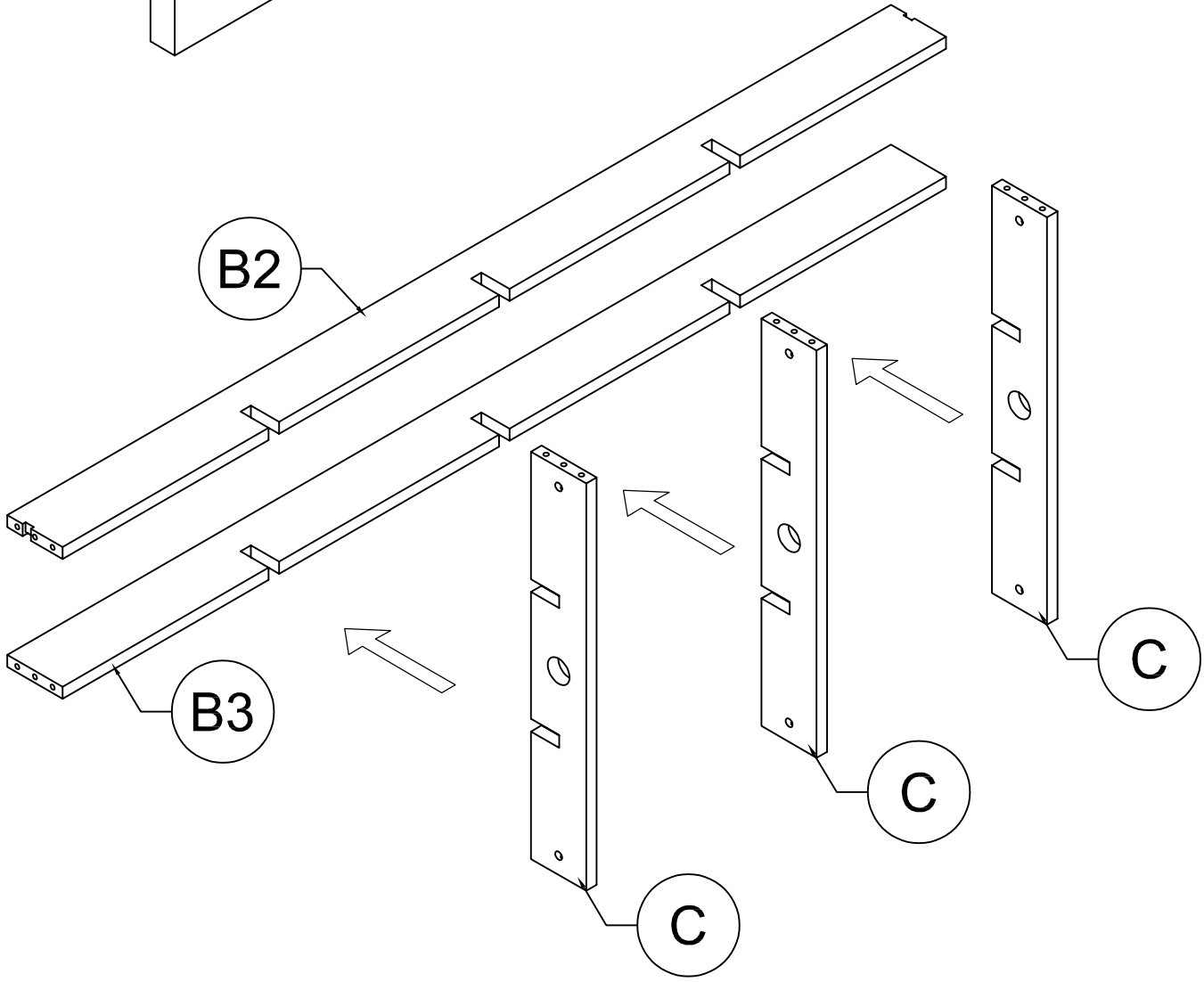
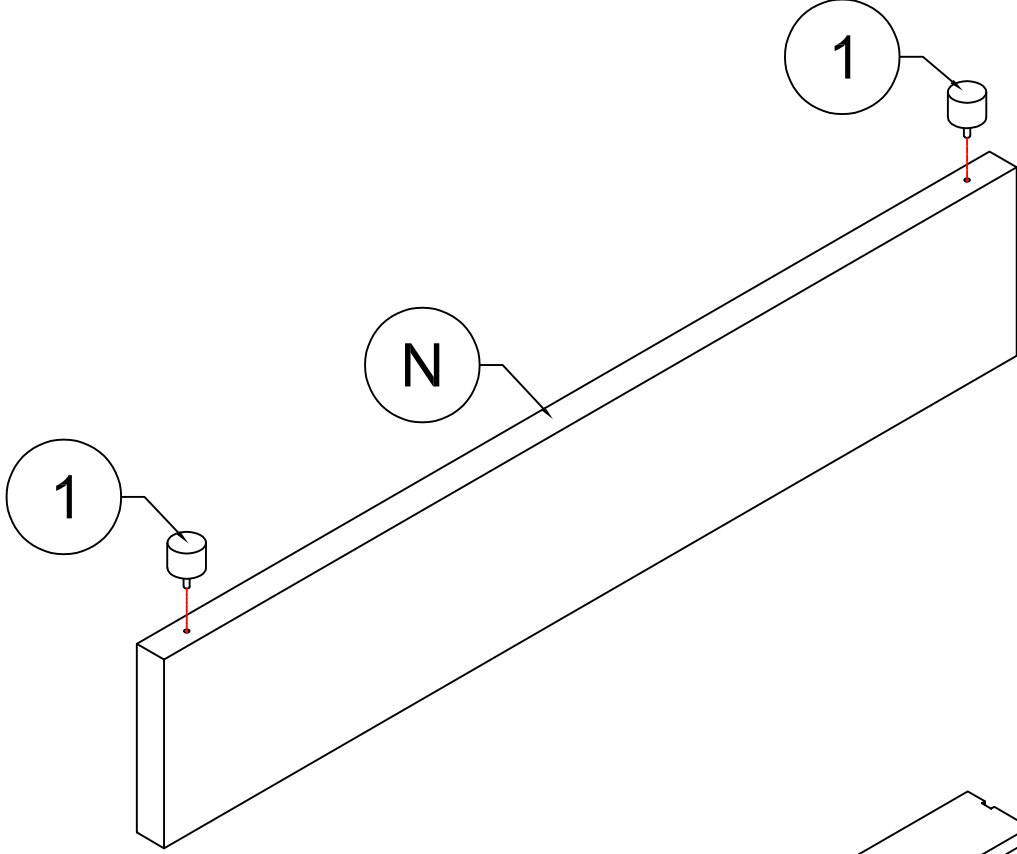
# STEP 1: Following below illustration:

2	
2pcs	
13	
10pcs	

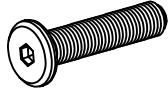
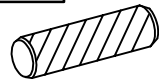
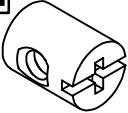


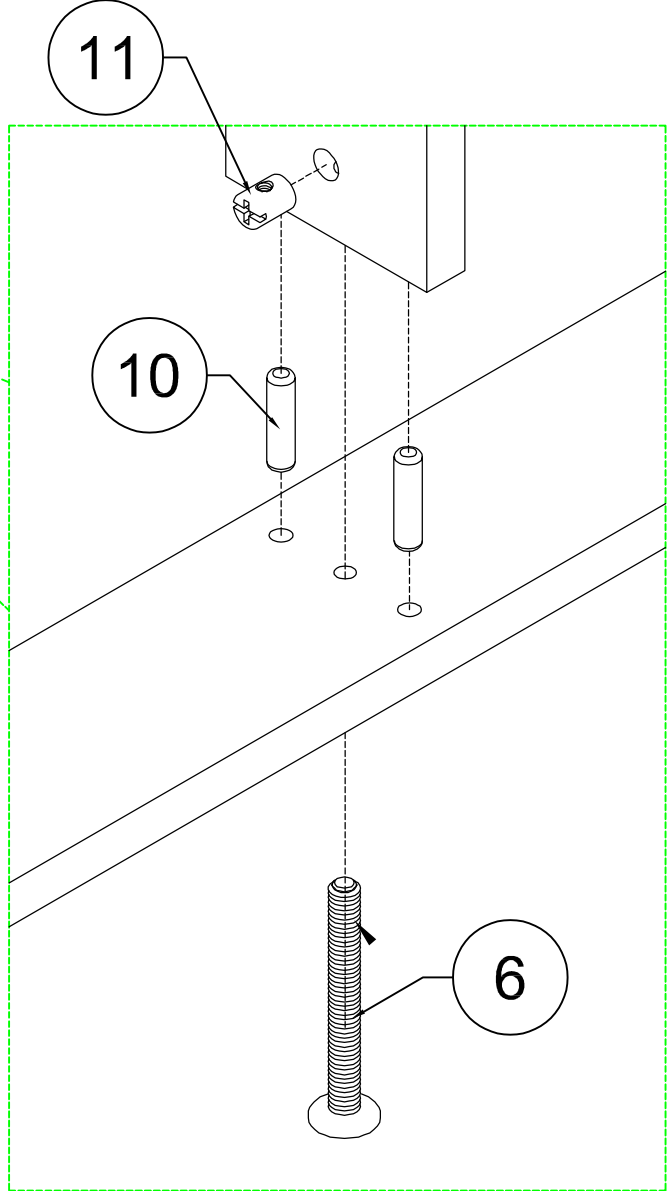
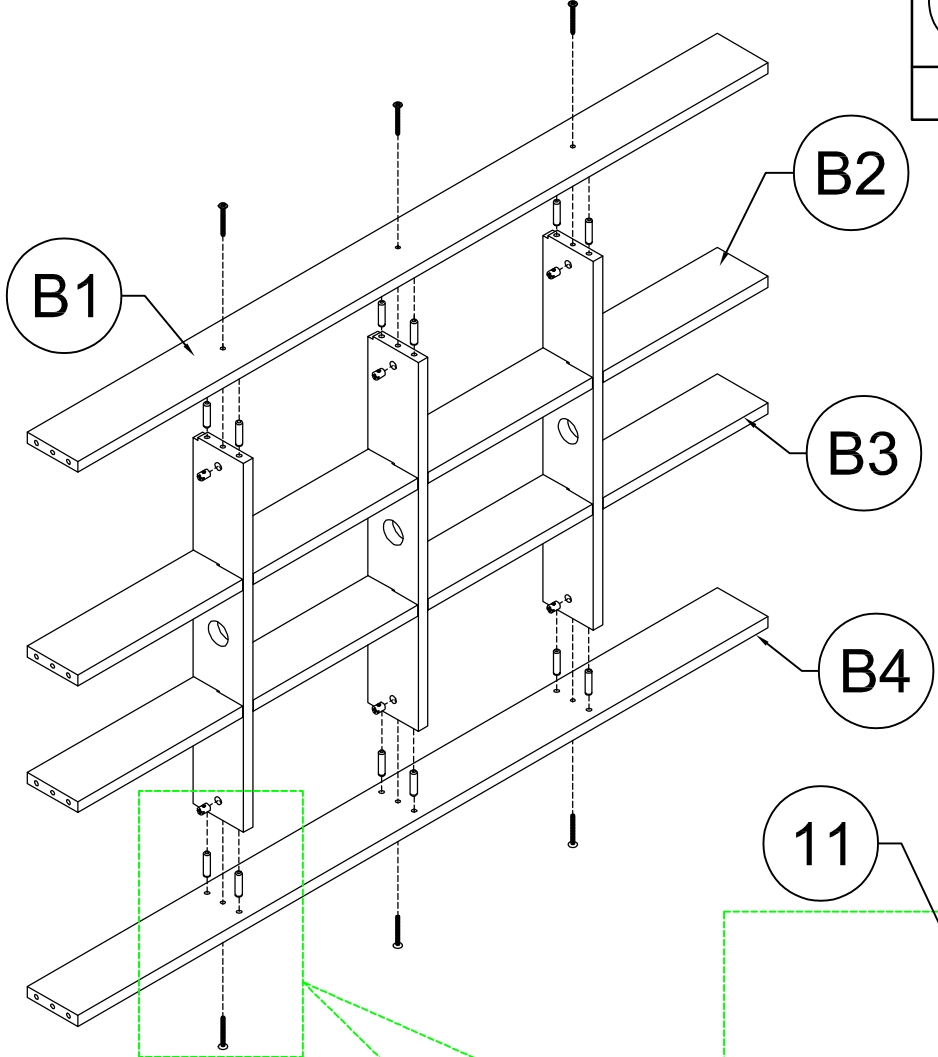
**STEP 2:** Following below illustration:

1	
2pcs	



# STEP 3: Following below illustration:

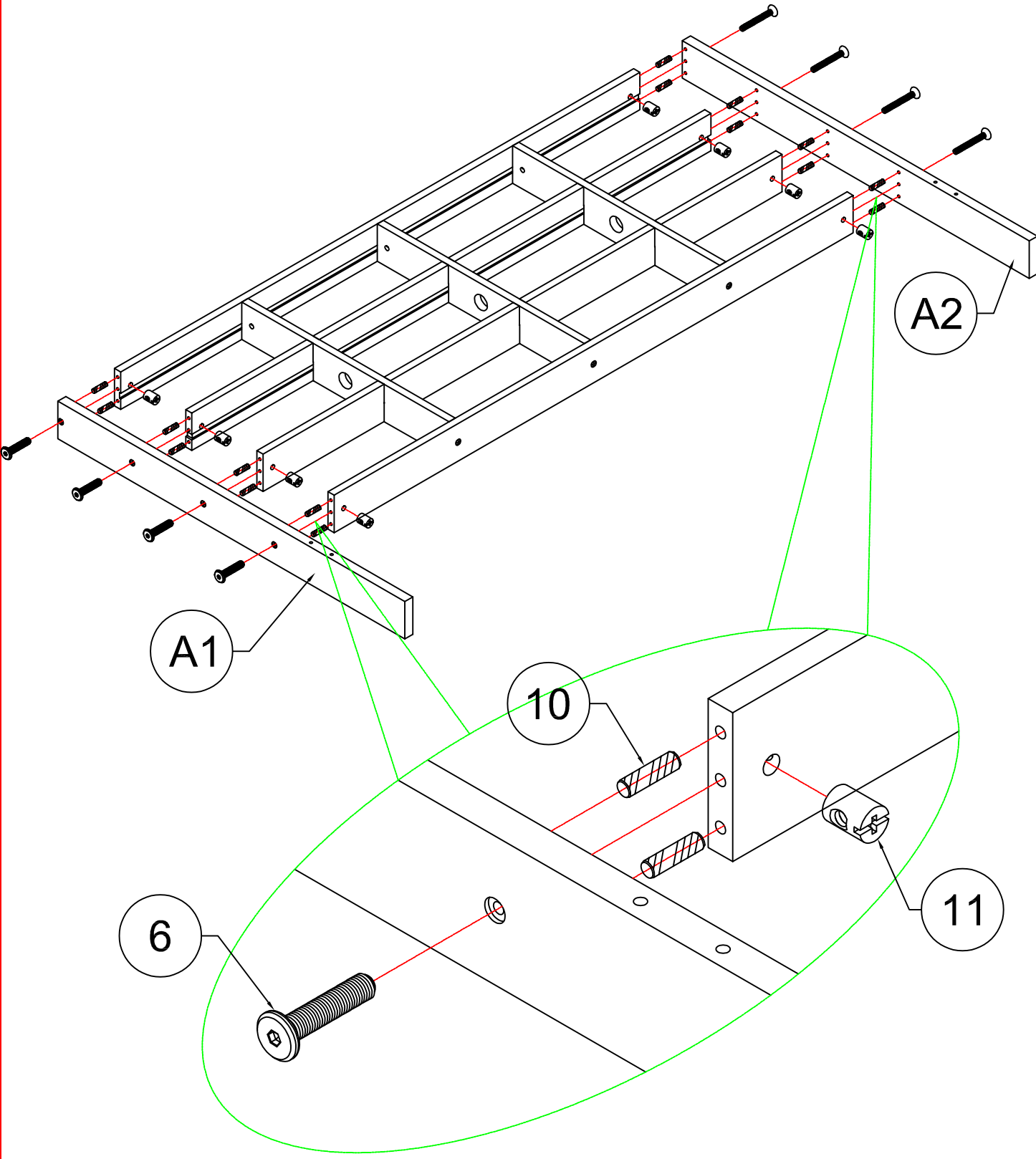
6	10	11
		
6pcs	12pcs	6pcs





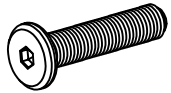
**STEP 4:** Following below illustration:

6	10	11
8pcs	16pcs	8pcs

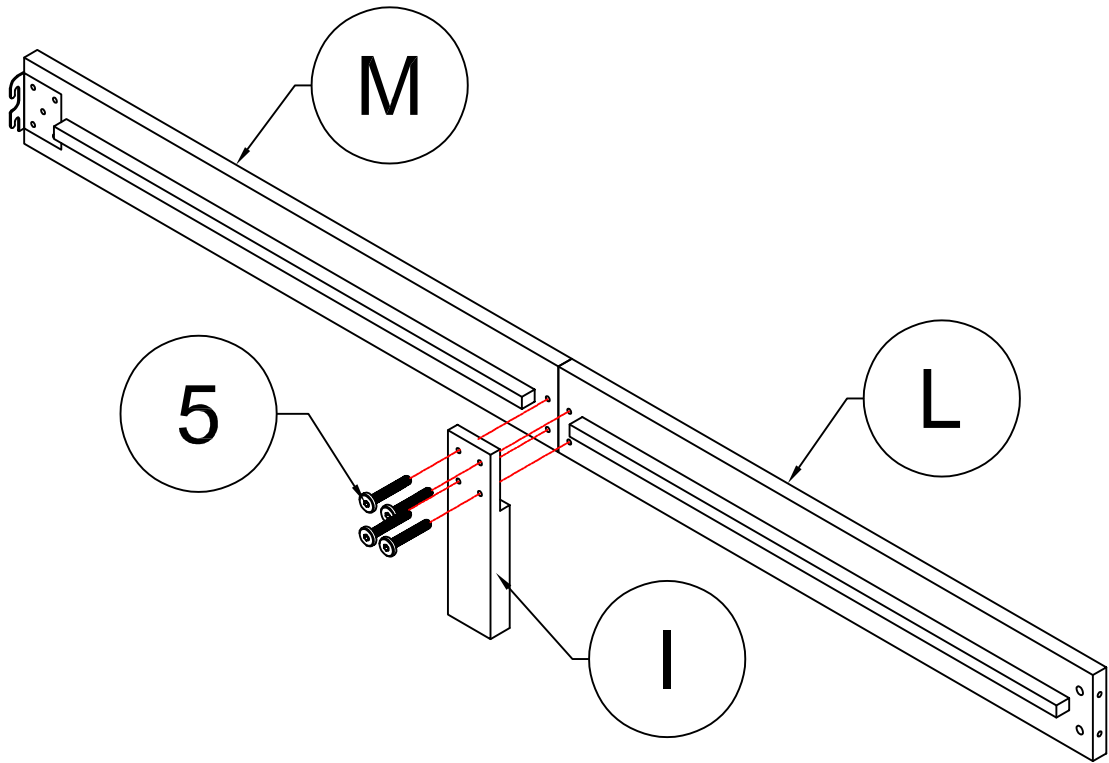
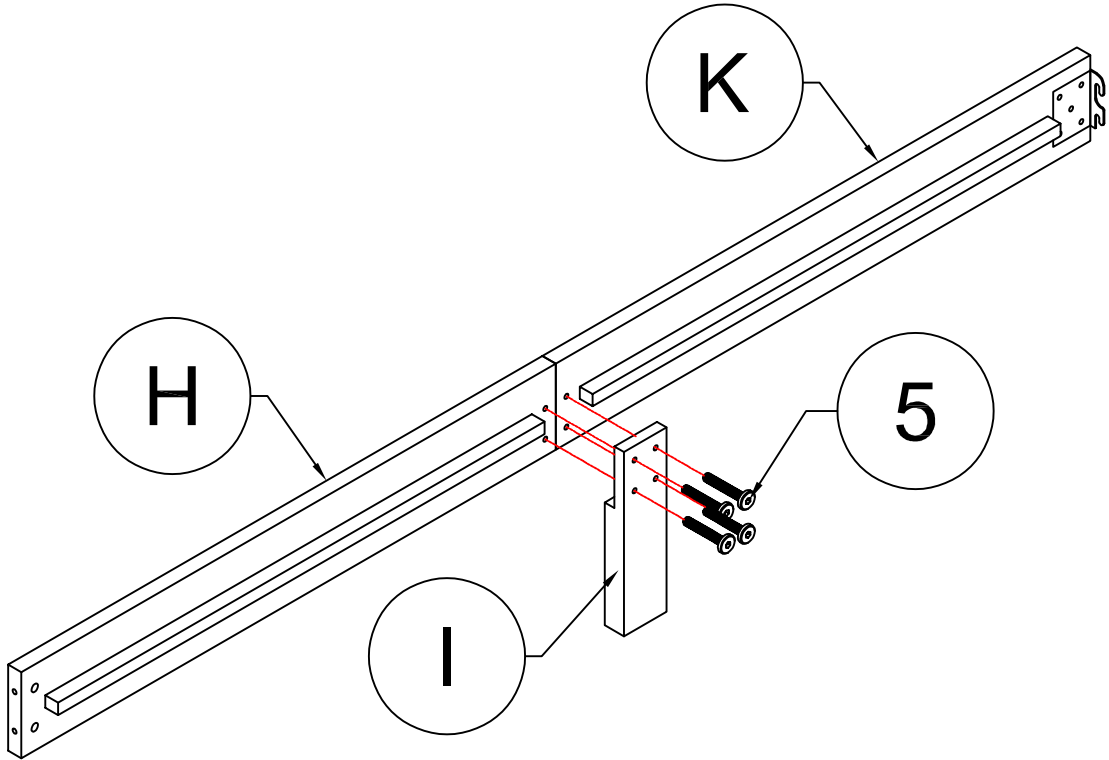


**STEP 5:** Following below illustration:

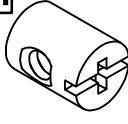

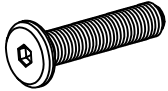
5

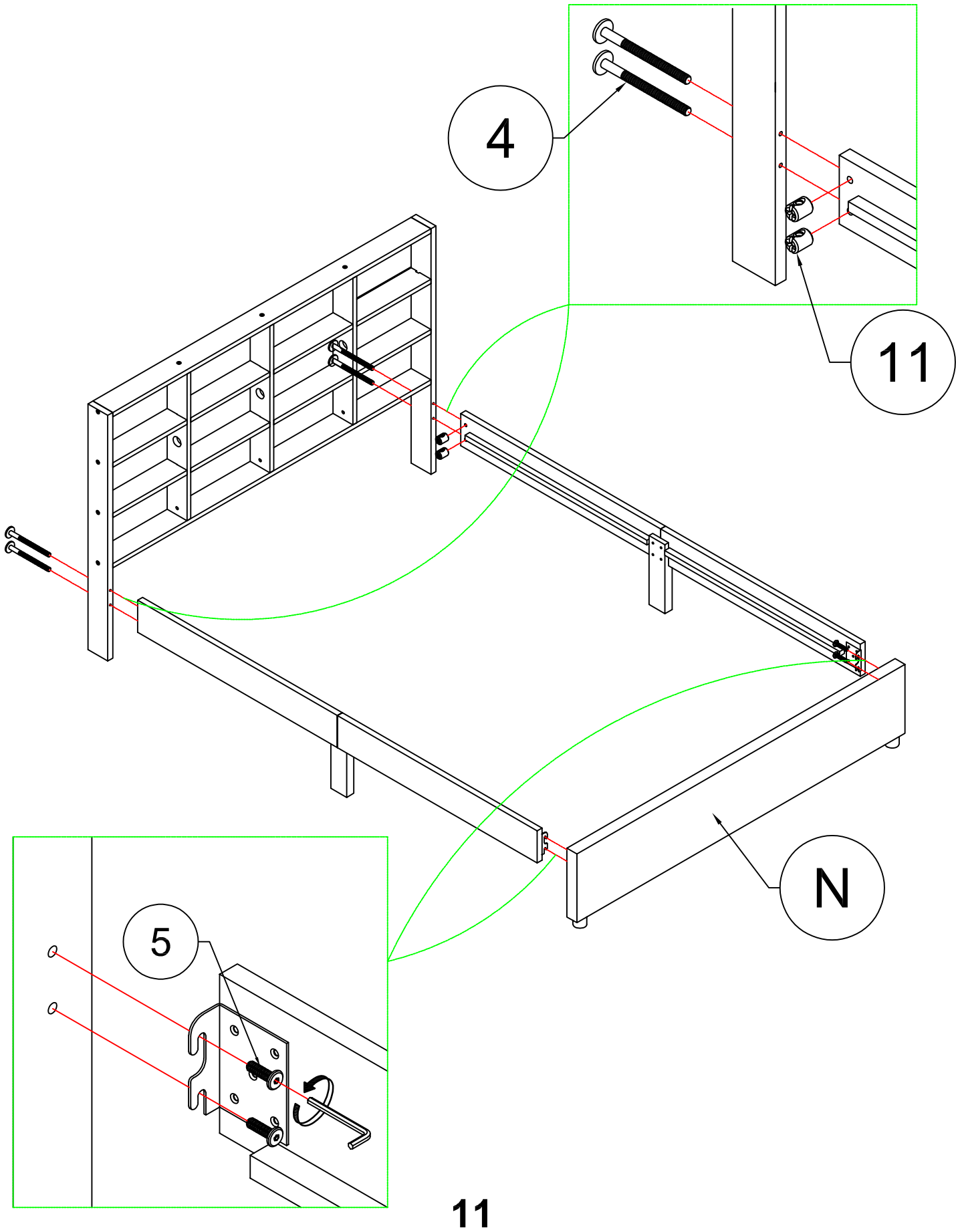


8pcs






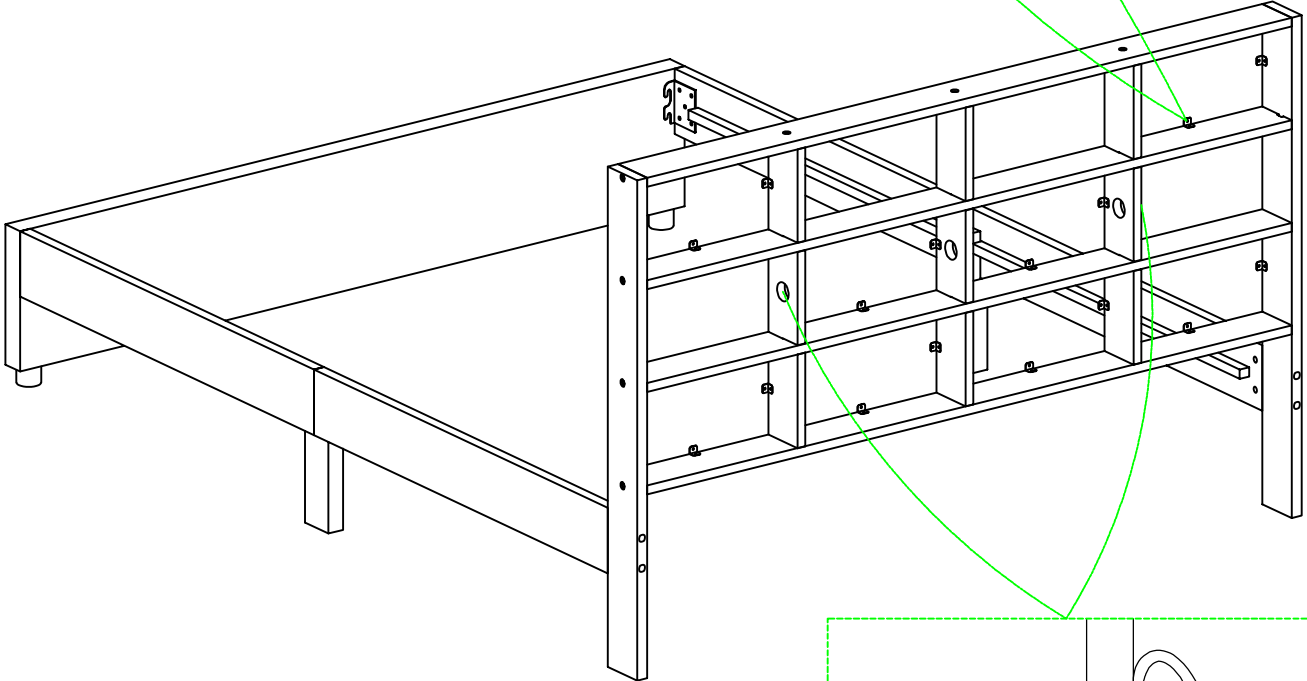
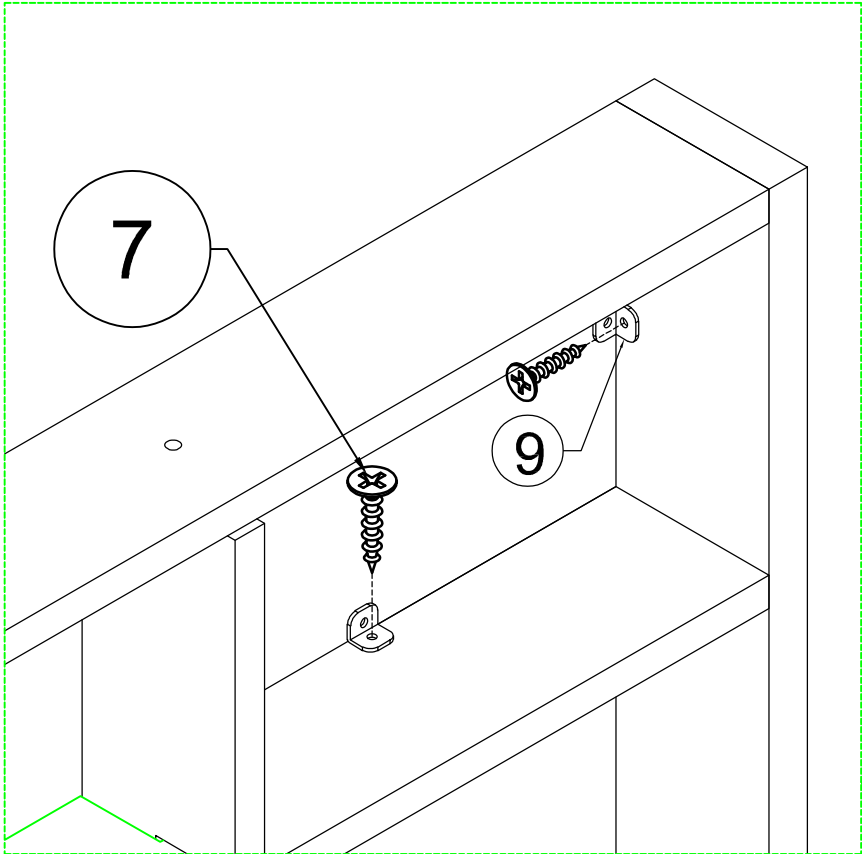
**STEP 6:** Following below illustration:

<b>11</b> 	<b>4</b> 	<b>5</b> 
4pcs	4pcs	4pcs

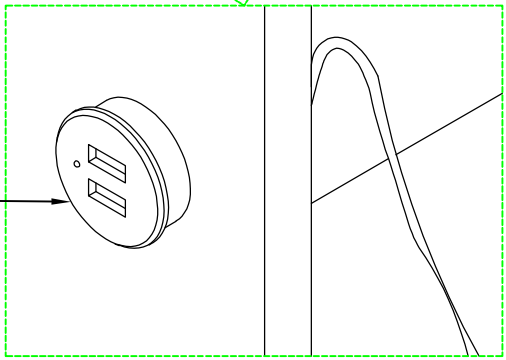


**STEP 7:** Following below illustration:

7		9	
32pcs		32pcs	
		12	
		2pcs	




12

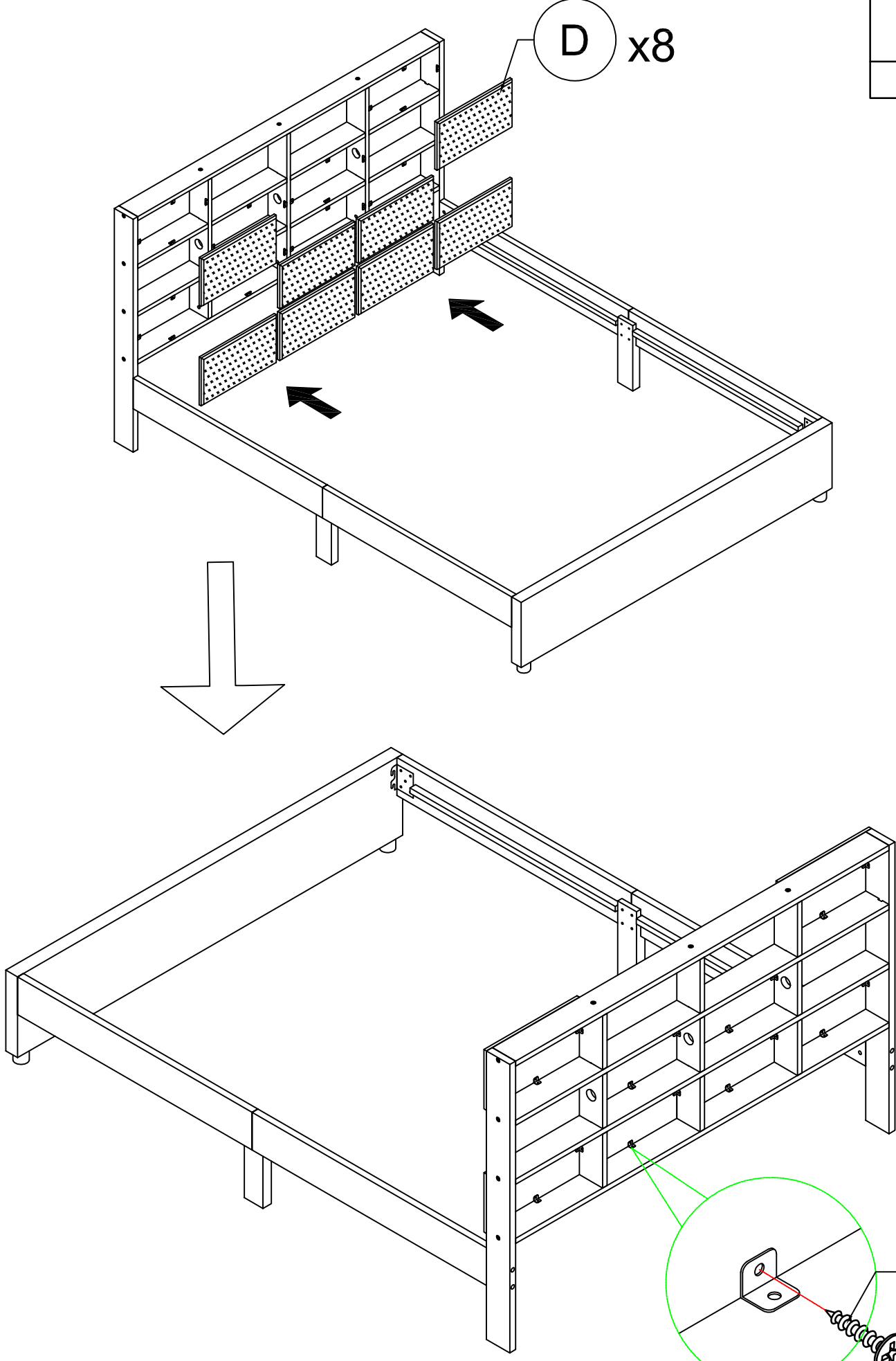


12

**STEP 8:** Following below illustration:

7	
32pcs	

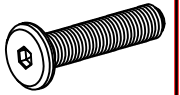
D x8



7

# STEP 9: Following below illustration:

5

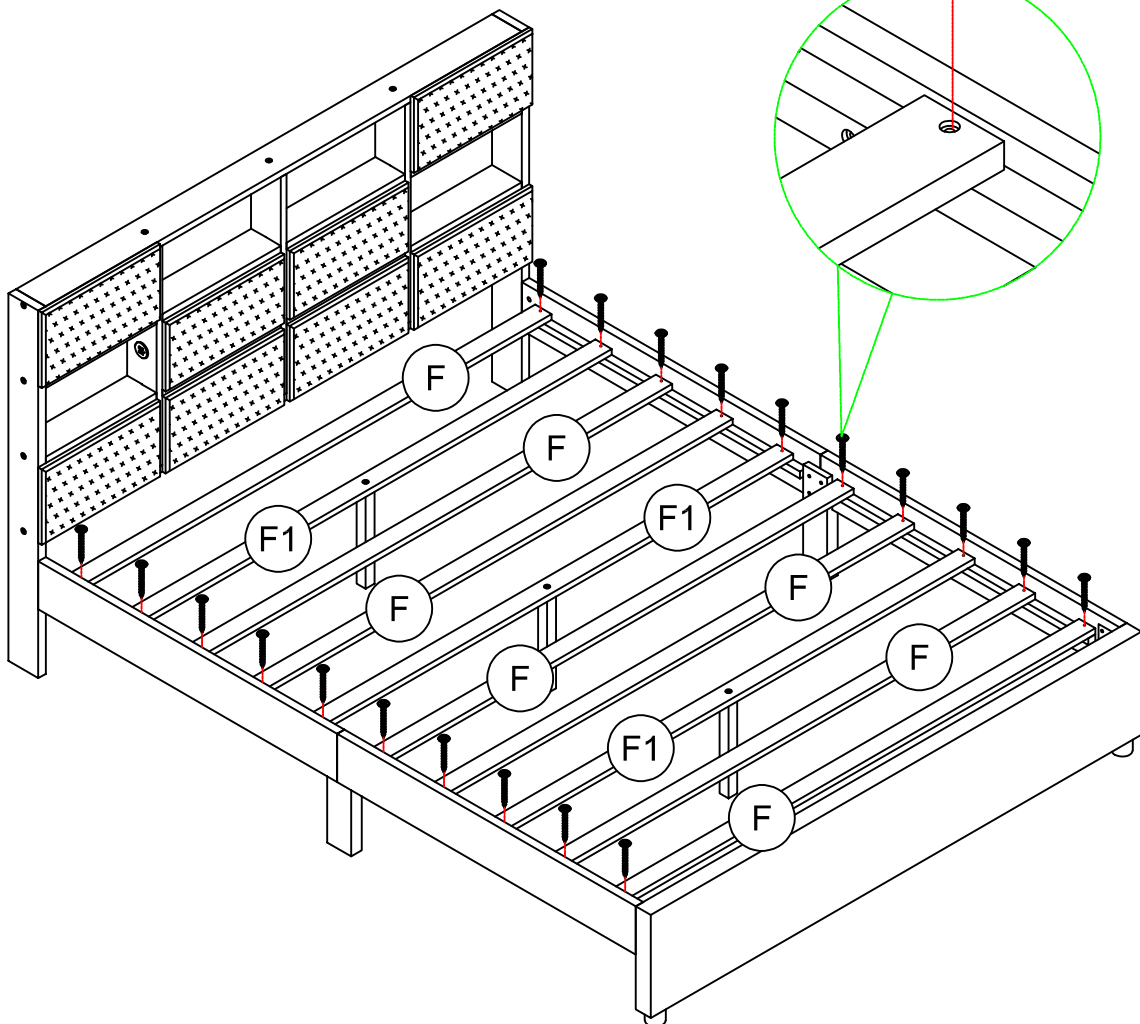
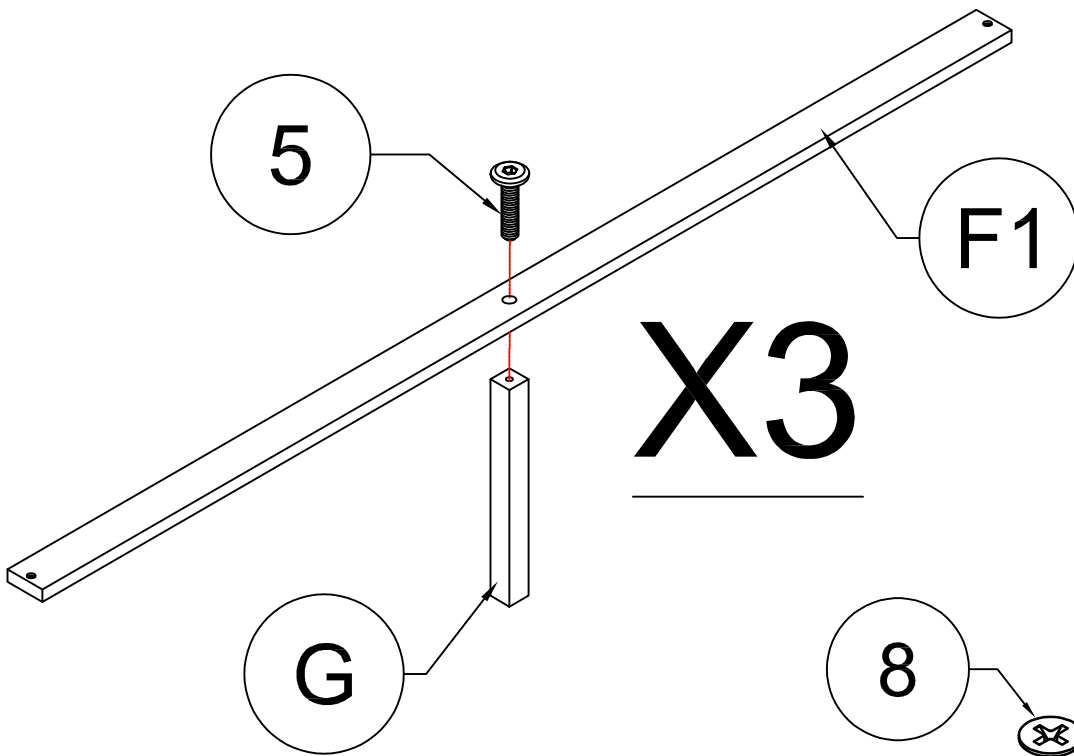


3pcs


8

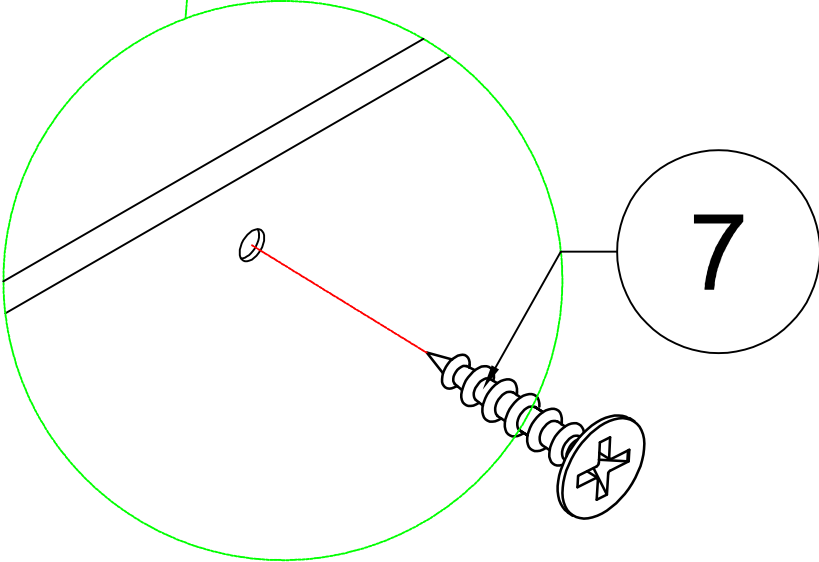
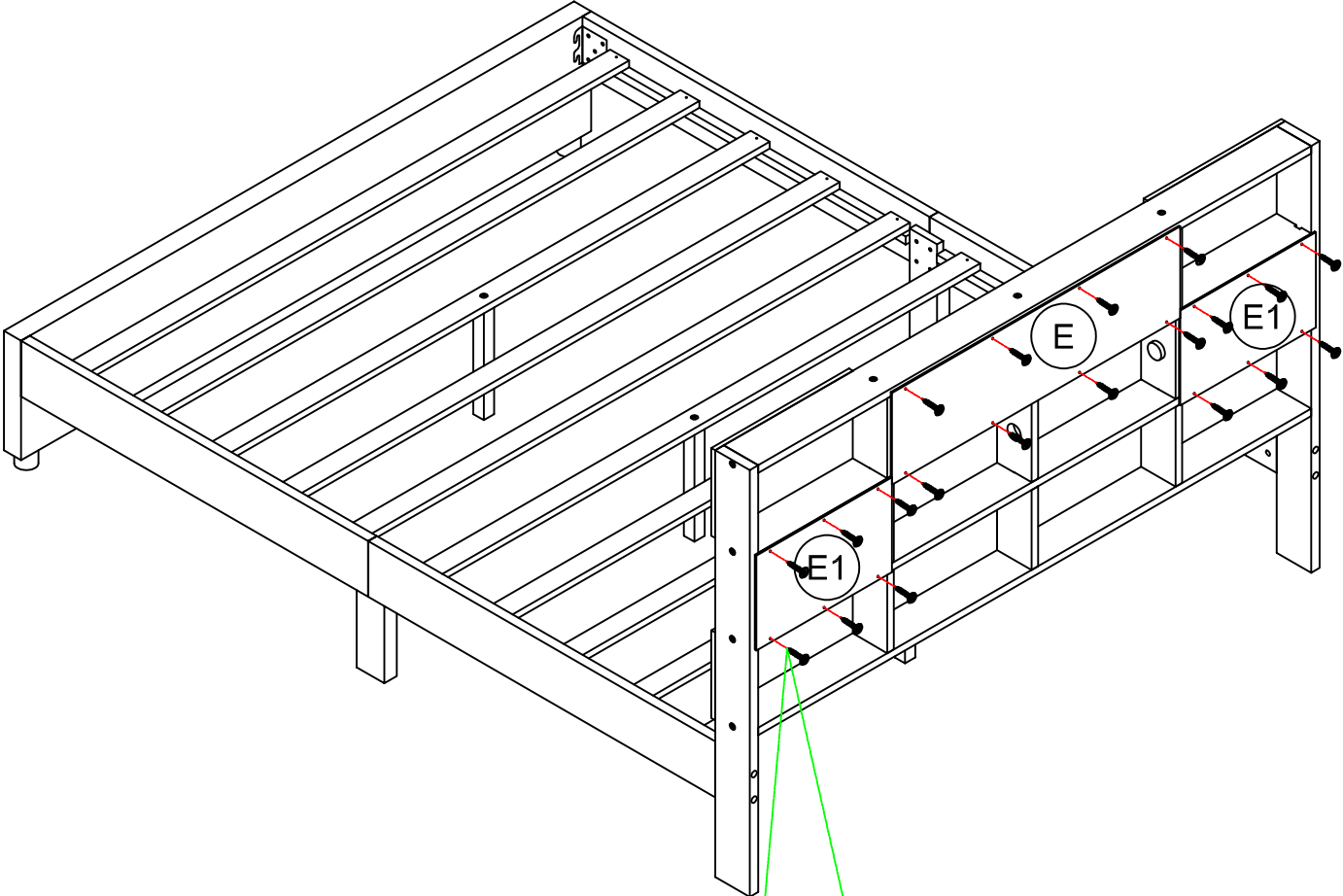


20pcs

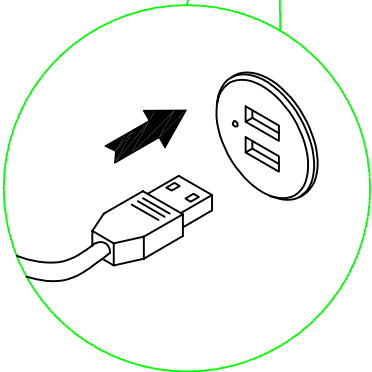
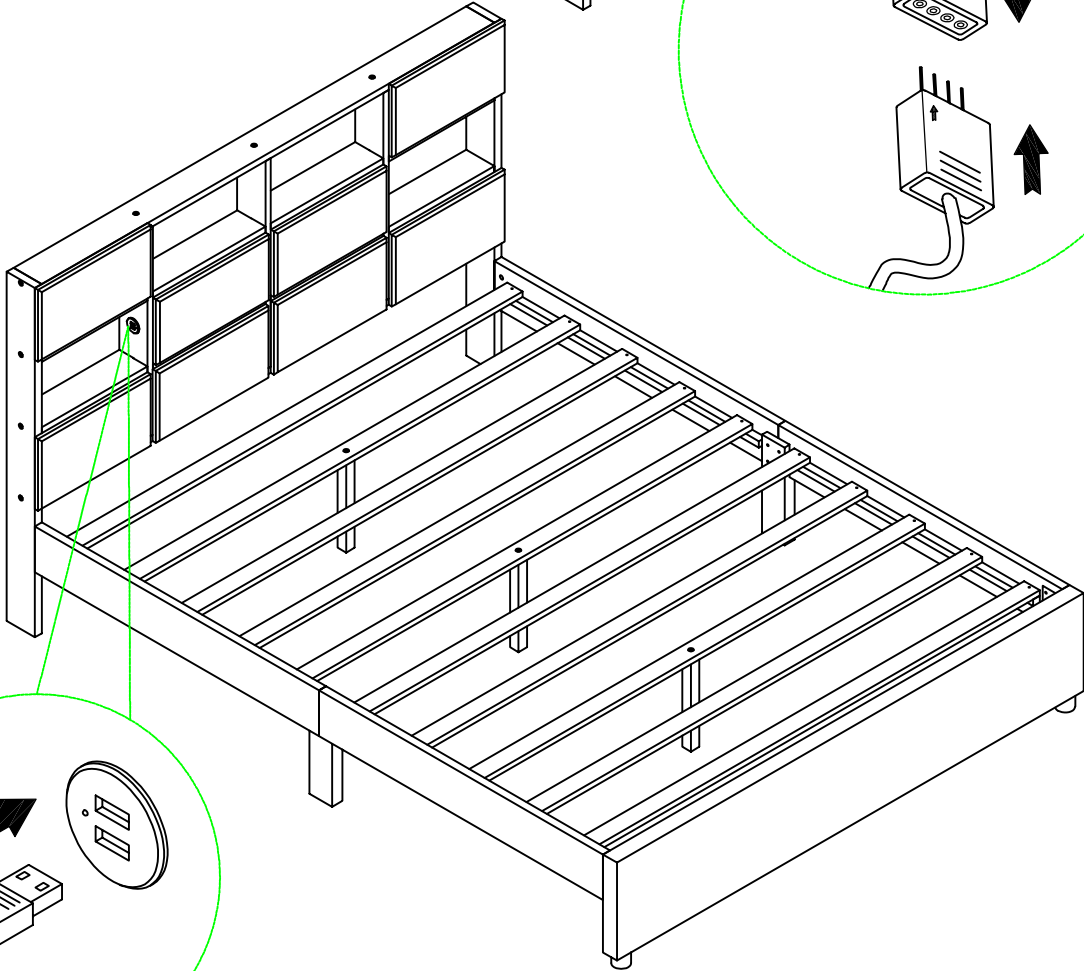
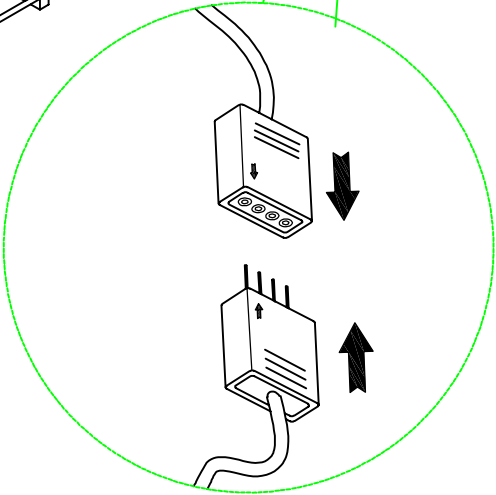
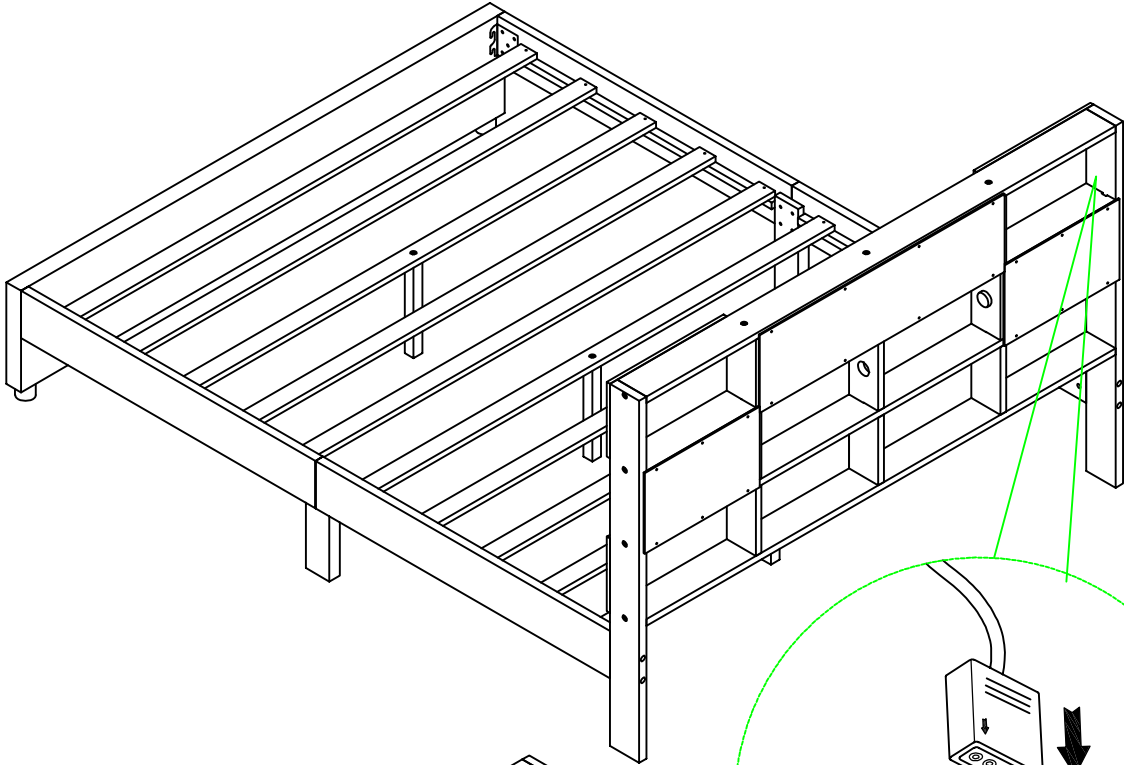


**STEP 10:** Following below illustration:

7	
20pcs	



**STEP 11:** Following below illustration:





# FINISH

