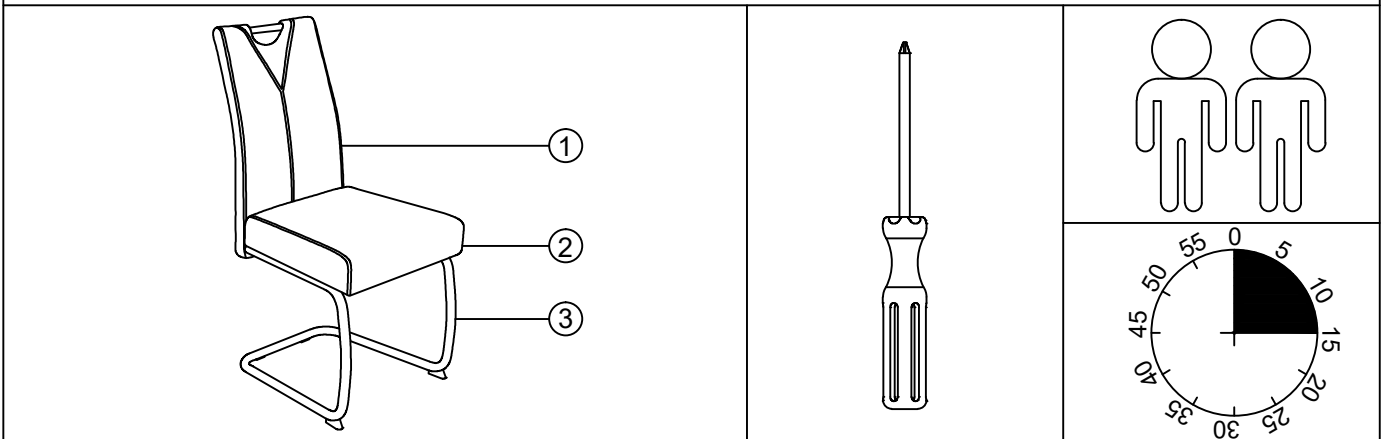


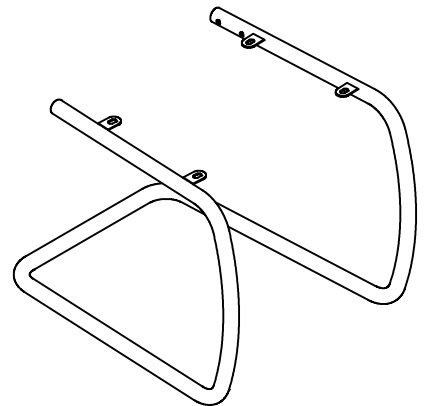
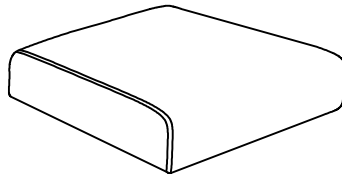
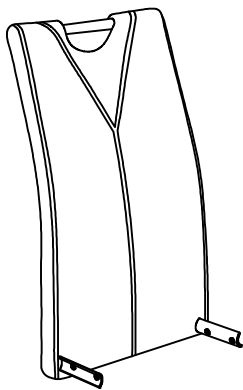
Sophia



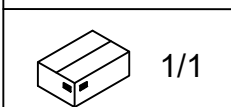
1

2

3



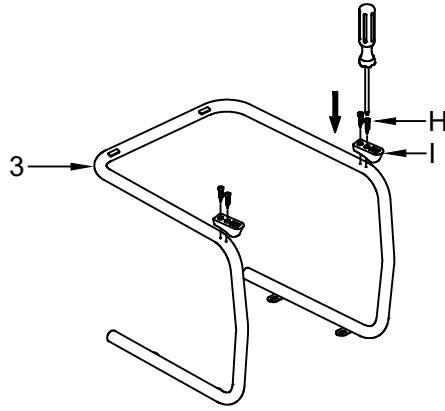
1	1 x
2	1 x
3	1 x



A	M6x20	B	M8x20	C	Ø18xØ8x1.5	D	Ø18xØ6x1.5	E	M8	F	4MM
	4x		4x		4x		4x		4x		1x
G	6MM	H	M4x20	I							
	1x		4x		2x						

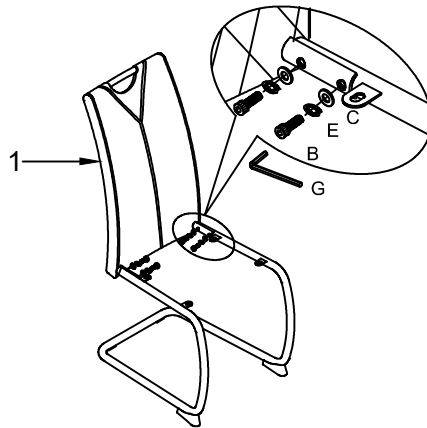
I.

1



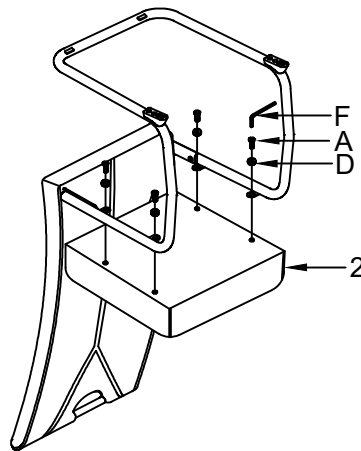
H	M4x20		4x
I			2x

2



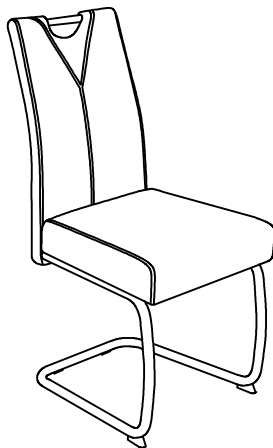
B	M8x20		4x
C	Ø18xØ8x1.5		4x
E	M8		4x
G	6MM		1x

3



A	M6x20		4x
D	Ø18xØ6x1.5		4x
F	4MM		1x

4



F	4MM		1x
G	6MM		1x



LE TRI FACILE



Séparez les éléments avant de trier