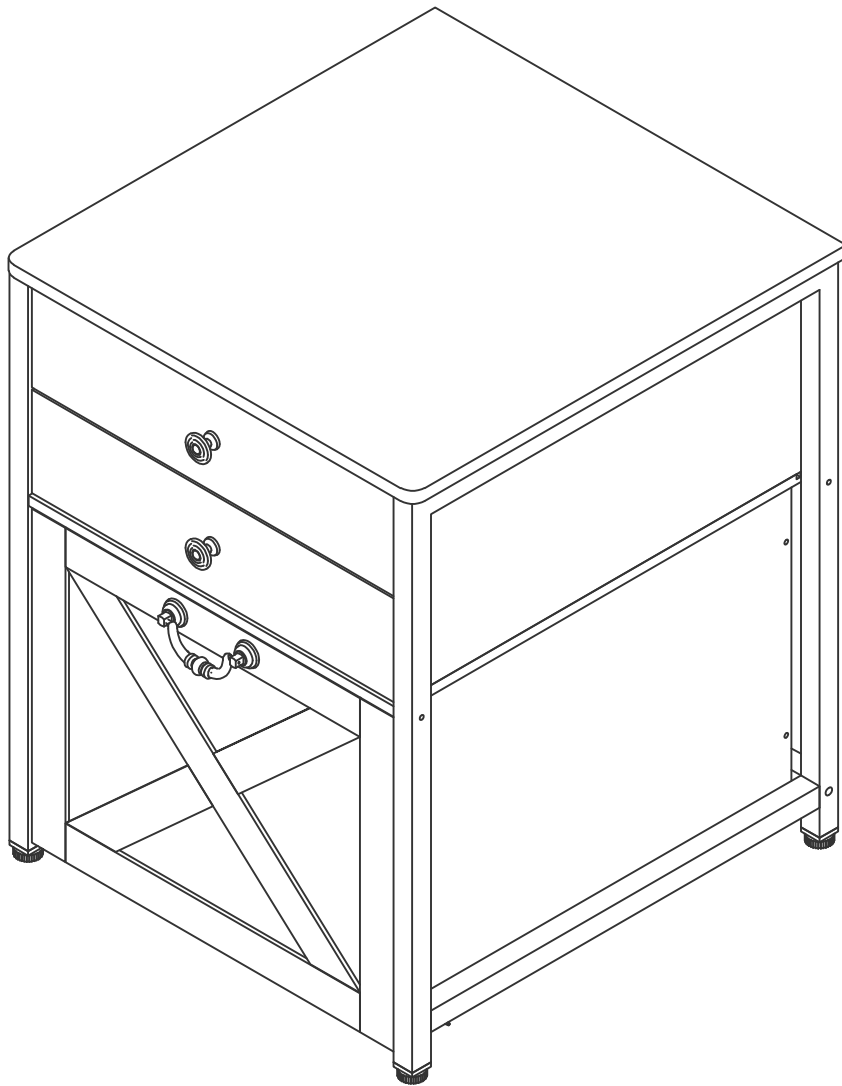
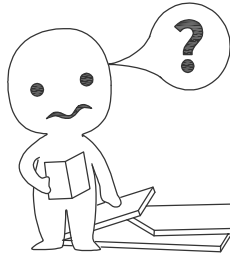




TTR0050

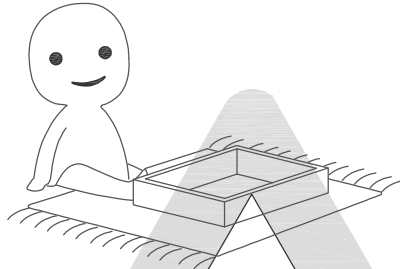
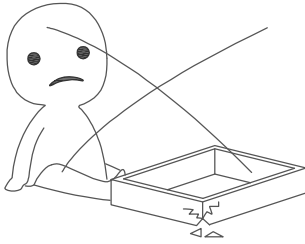


NOTE: Please contact us in time. If you find any accessories missing or damaged in the package, we will send you the corresponding accessories for free.



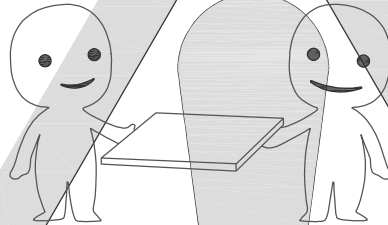
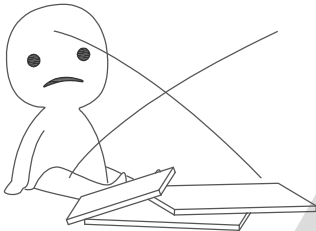
IMPORTANT INFORMATION!

please read the entire manual before starting to assemble and/or using this product. follow the manual thoroughly and keep it for further reference.



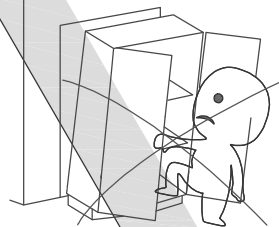
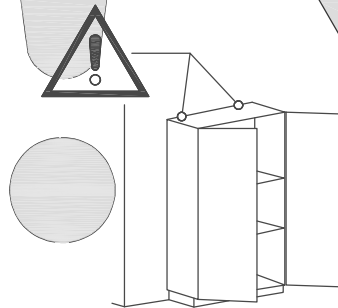
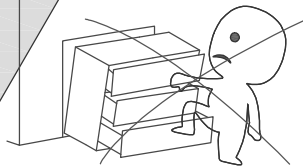
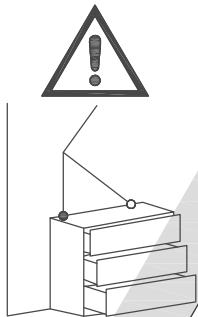
AVOID SCRATCHES!

In order to avoid scratching this furniture should be assembled on a soft layer—could be a rug.



IMPROVE EFFICIENCY !

Try to find a partner to install with you, which can speed up the installation efficiency and shorten the time.



ANTI-TOPPLE WARNING !

Overturned furniture can cause serious or fatal crush injuries. To prevent tipping over, be sure to use the wall attachment, if not included with this product. Please purchase the wall attachment that fit your wall. If unsure, seek professional advice. Please read and follow each step of the instructions carefully.

IMPORTANT !




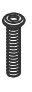
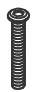









It is important that any product which is assembled using any kind of screw is re-tightened 2 weeks after assembly, and once every 3 months - in order to assure stability through-out the lifespan of the product.

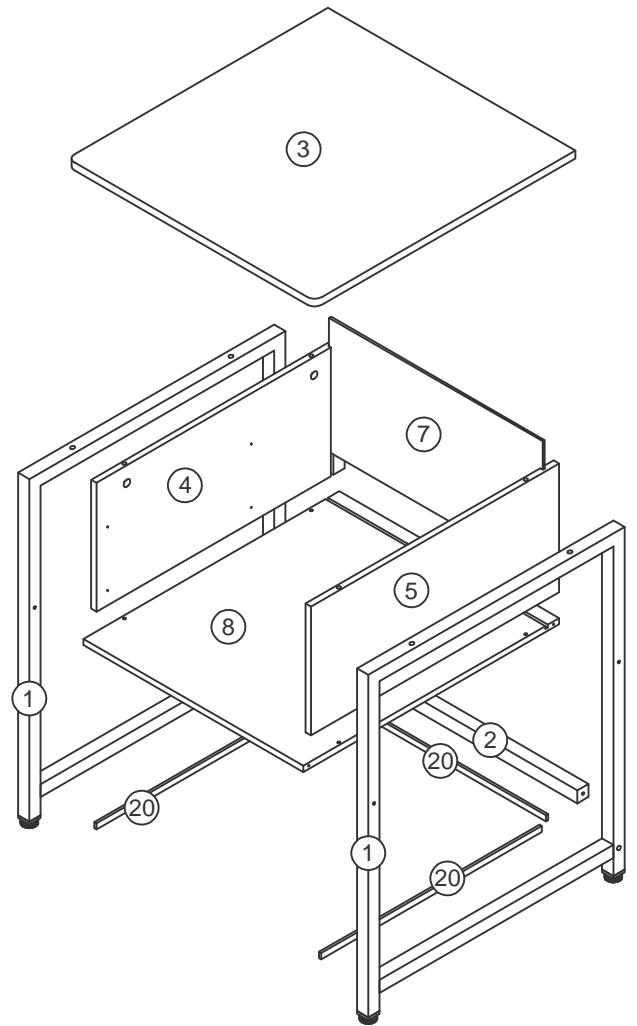
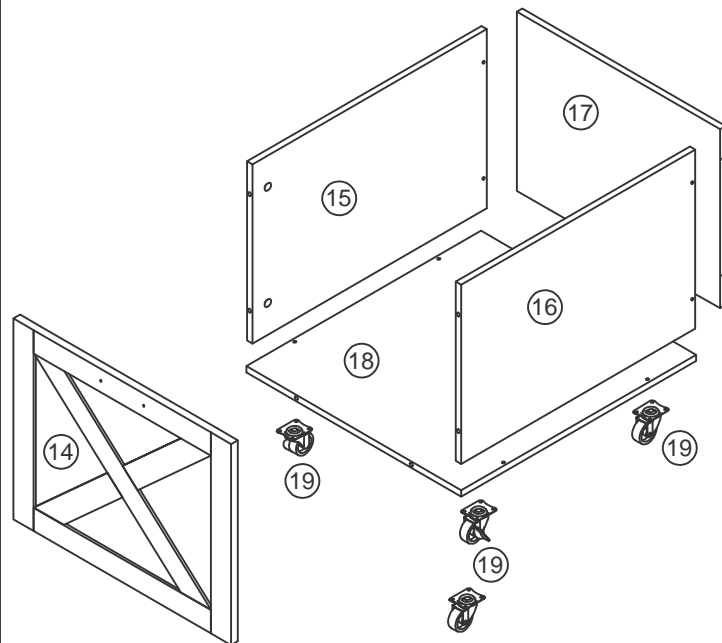
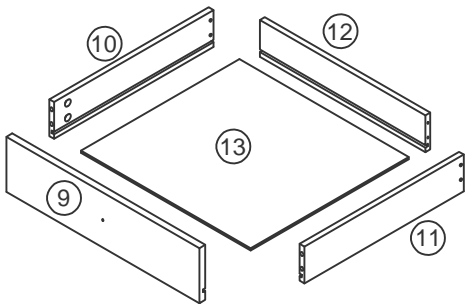
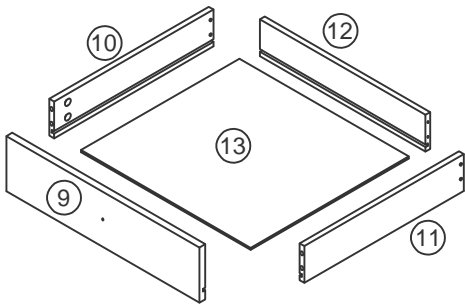
For regular maintenance and cleaning of the product, for the frame, please use a rag dipped in neutral detergent to fully wipe it, and then dry it with a clean rag. For glass materials, wipe with a rag dampened with water glass cleaner, and then dry with a dry rag.

Do not use an electric screwdriver, and do not use too much force when installing, because the board is easy to break.




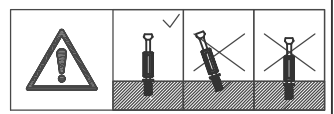
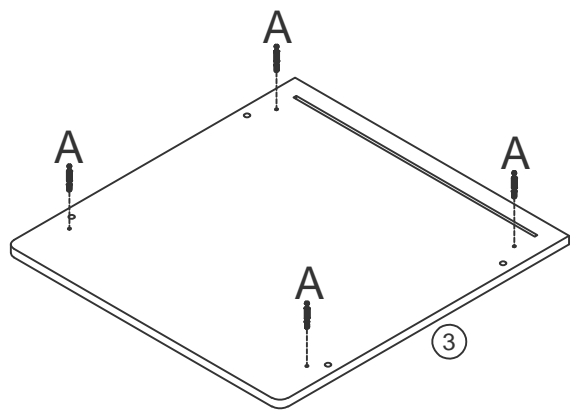
<p>①</p> <p>X2</p>	<p>②</p> <p>X1</p>	<p>③</p> <p>X1</p>	<p>④</p> <p>X1</p>
<p>⑤</p> <p>X1</p>	<p>⑦</p> <p>X1</p>	<p>⑧</p> <p>X1</p>	<p>⑨</p> <p>X2</p>
<p>⑩</p> <p>X2</p>	<p>⑪</p> <p>X2</p>	<p>⑫</p> <p>X2</p>	<p>⑬</p> <p>X2</p>
<p>⑭</p> <p>X1</p>	<p>⑮</p> <p>X1</p>	<p>⑯</p> <p>X1</p>	<p>⑰</p> <p>X1</p>
<p>⑱</p> <p>X1</p>	<p>⑲</p> <p>1.5" X1 SETS</p>	<p>⑳</p> <p>X3</p>	<p>㉑</p> <p>16" X2 SETS</p>

A M5X42  18 PCS	B Ø15X10  18 PCS	C M5X40  22 PCS	D M6X35  4 PCS	E M6X45  2 PCS	F M3.5X12  16 PCS	G M4X12  16 PCS	H M5X50  4 PCS
J M4X18  4 PCS	K  2 PCS	L  1 PCS	M 3#  1 PCS	N 4#  1 PCS	O  1 PCS		




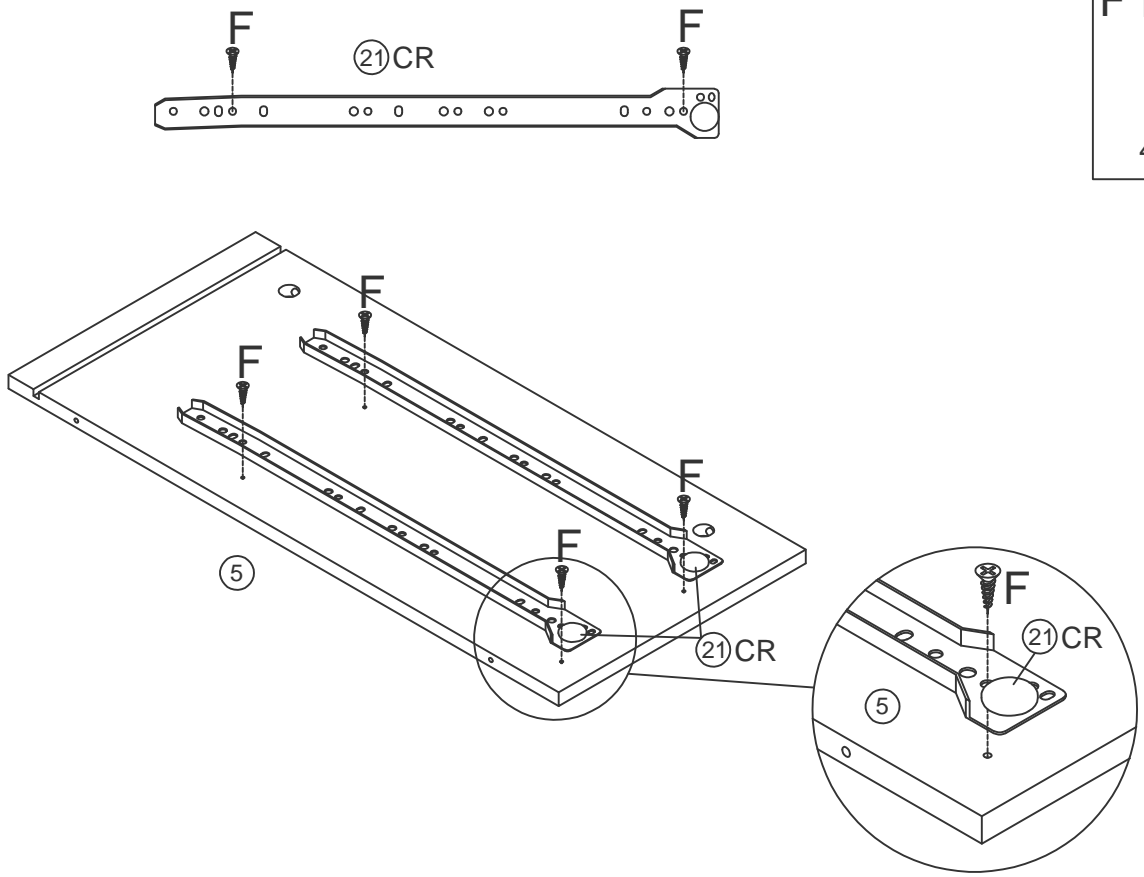
1

A M5X42

4 PCS

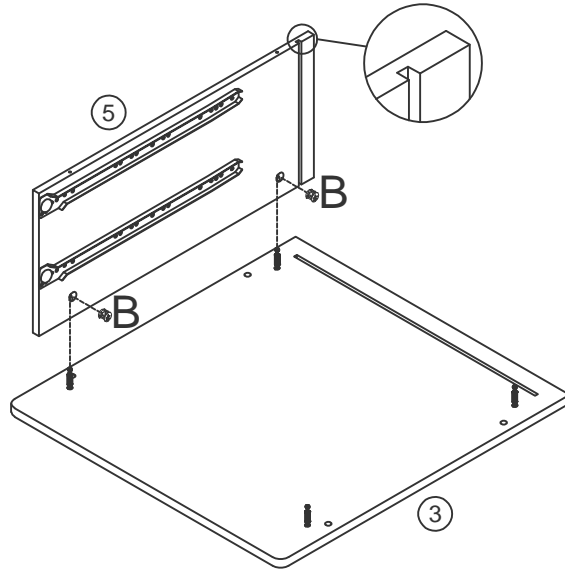


2

F M3.5X12

4 PCS



3

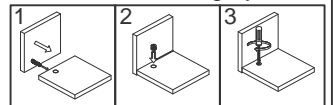


B Ø15X10



2 PCS

Cam Lock Fastening System



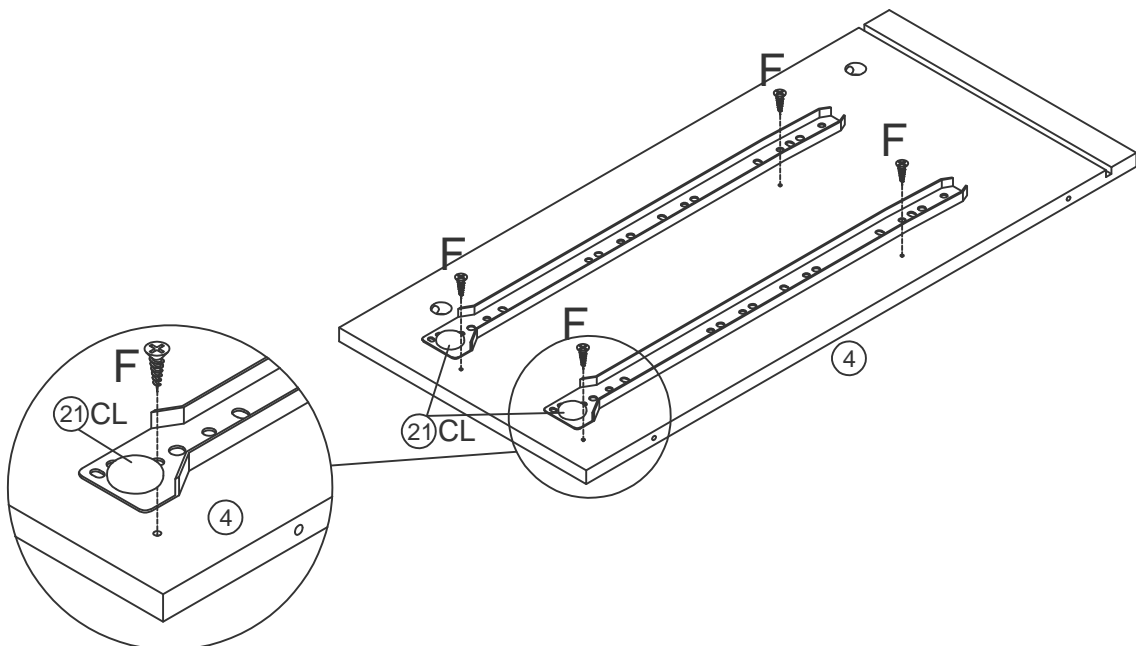
4



F M3.5X12



4 PCS

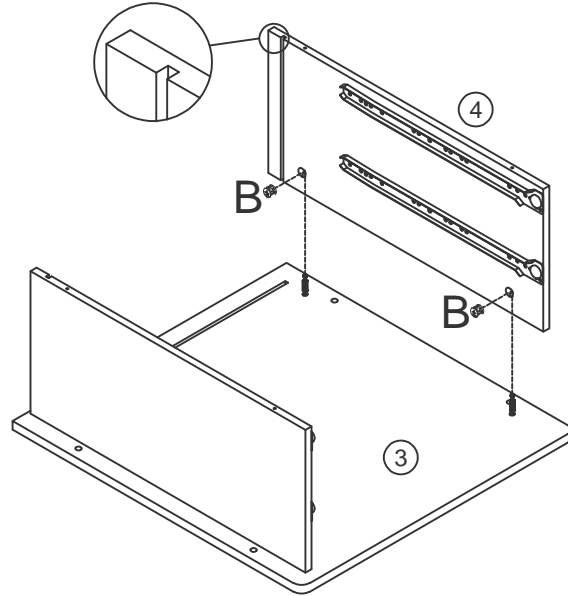


5

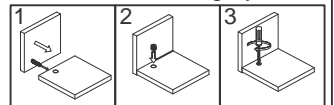
B Ø15X10



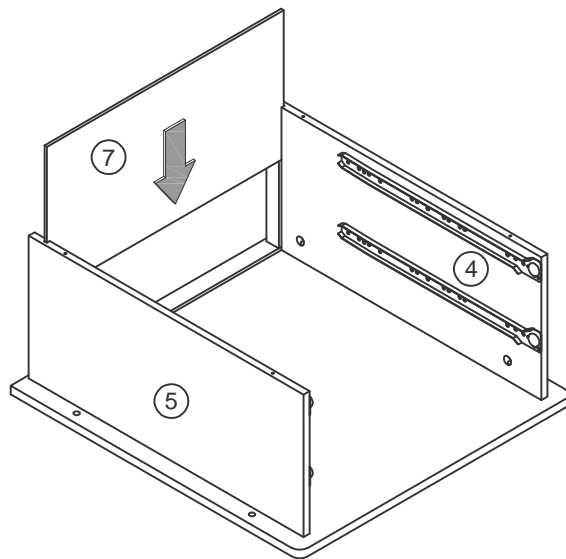
2 PCS



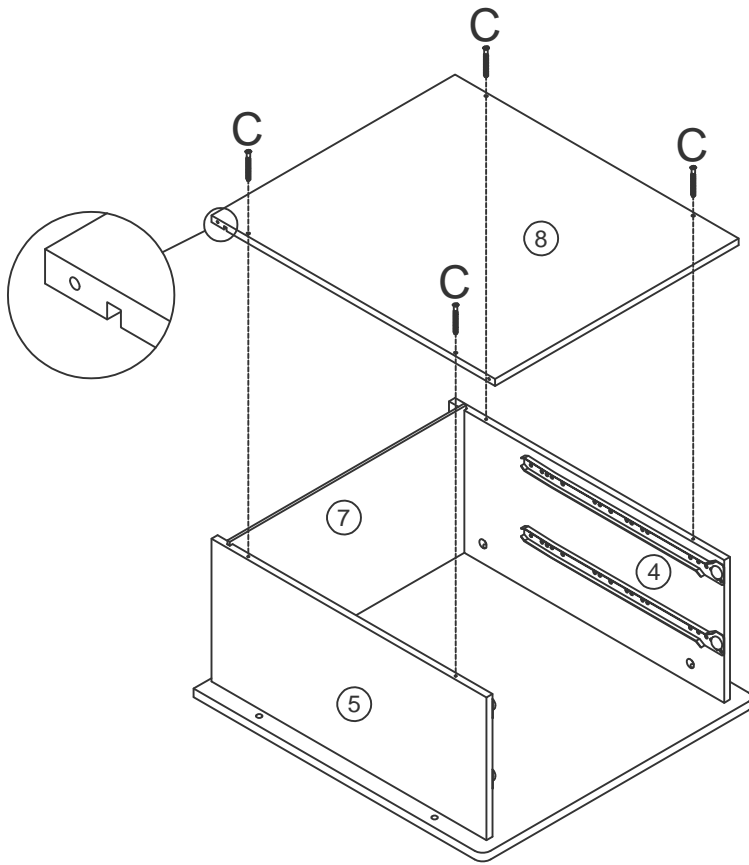
Cam Lock Fastening System




6

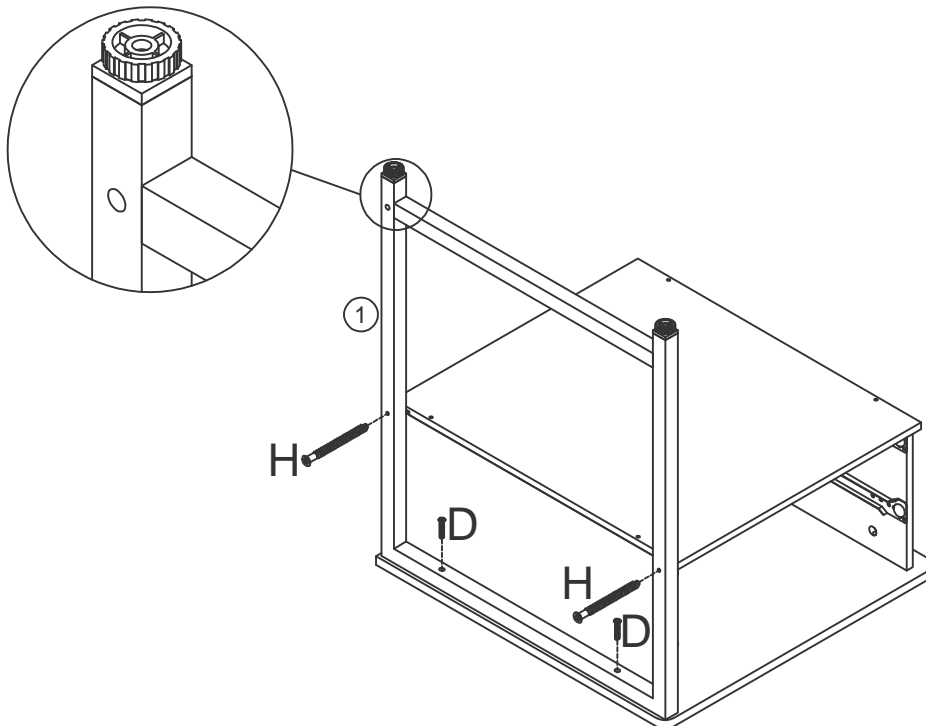



7




C M5X40

4 PCS

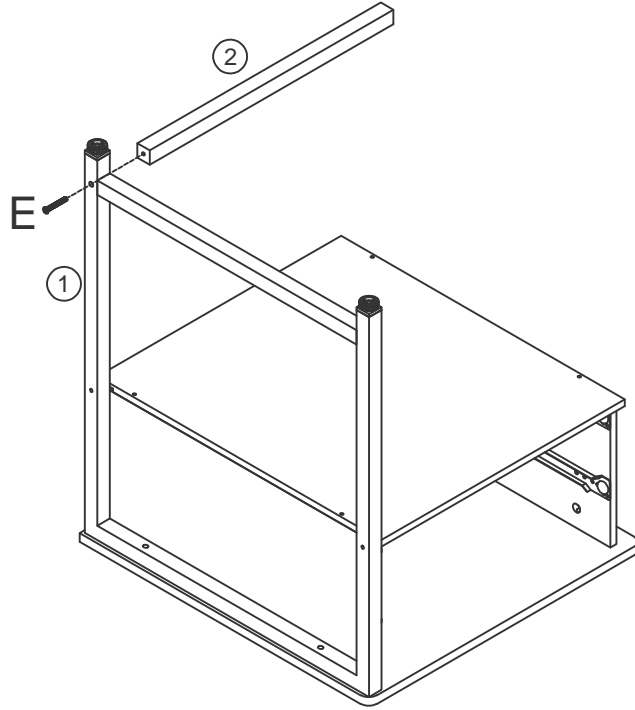
8




D M6X35

2 PCS

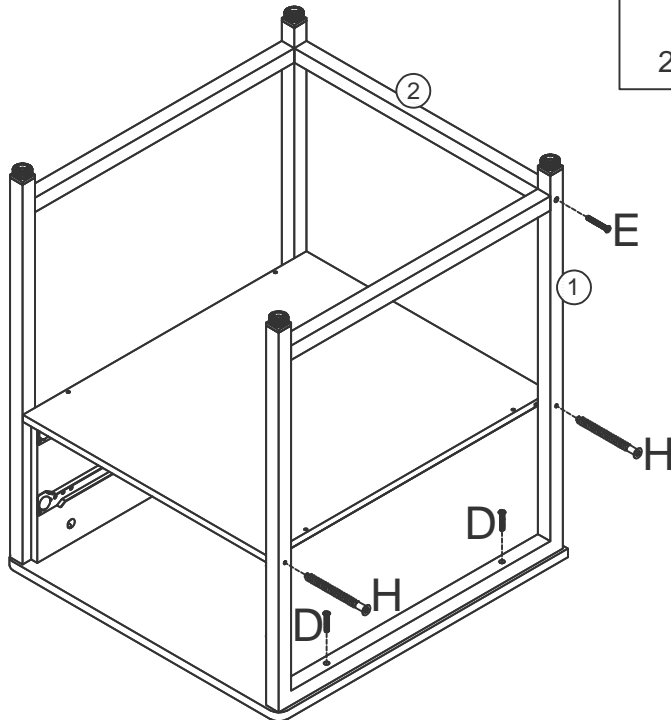
H M5X50

2 PCS




9



E M6X45

1 PCS

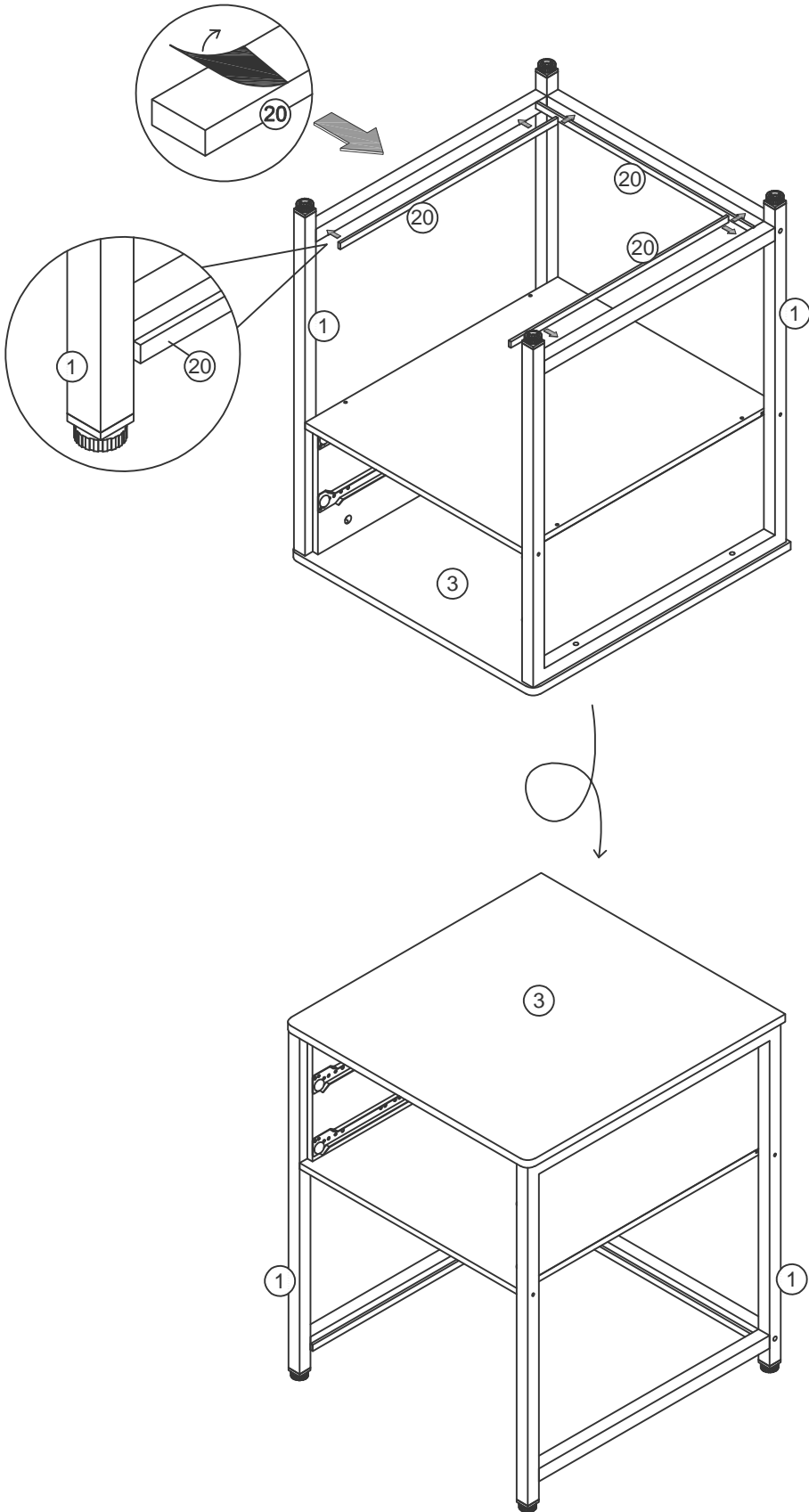
10









D M6X35  2 PCS	E M6X45  1 PCS	H M5X50  2 PCS
--	--	--

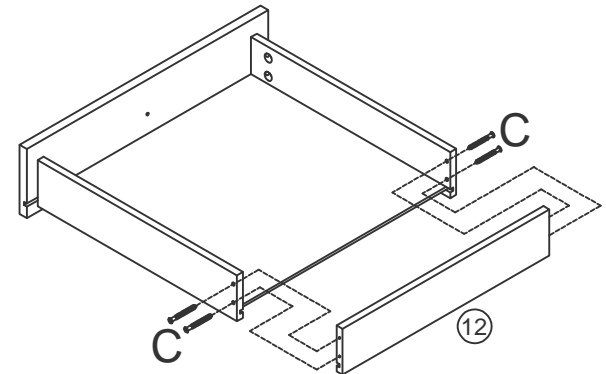
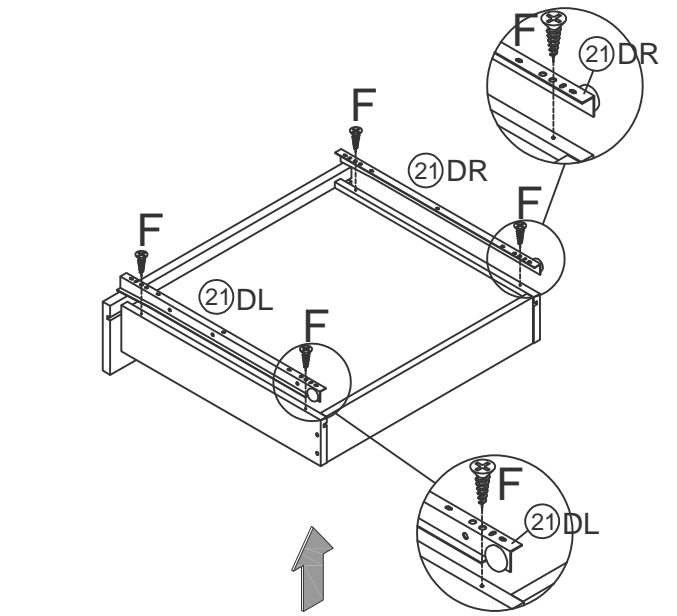
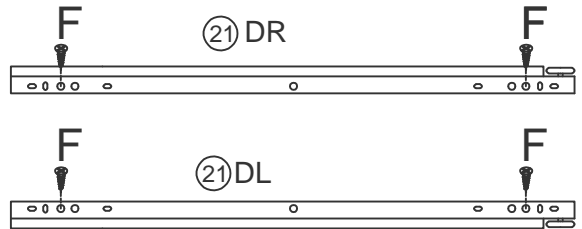
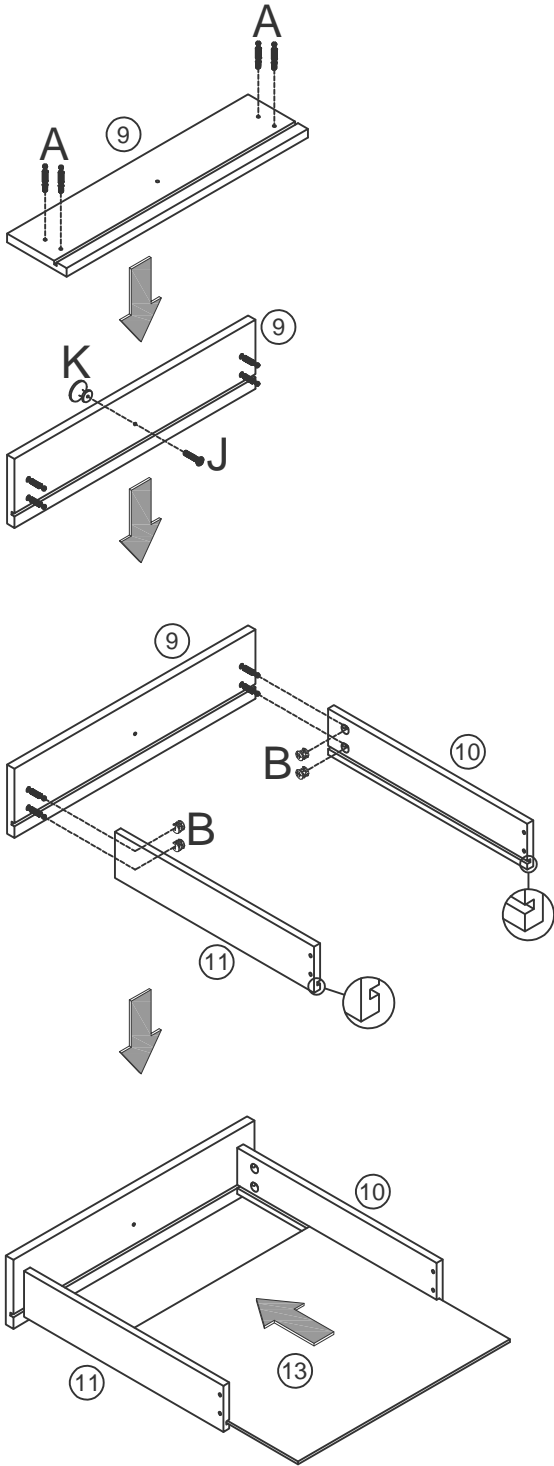
11

Tip: Please remove the tape before putting on the top.

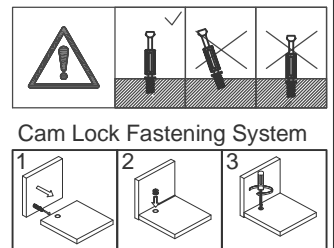


12

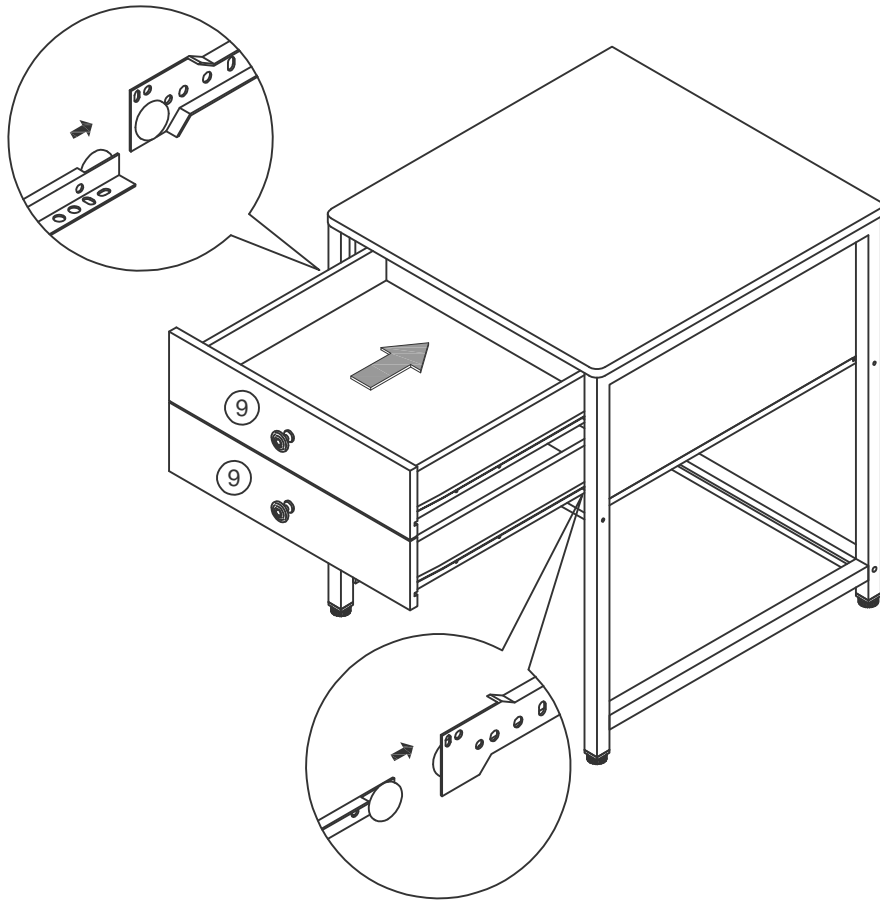
A M5X42  8 PCS	B Ø15X10  8 PCS	C M5X40  8 PCS	F M3.5X12  8 PCS	J M4X18  2 PCS	K  2 PCS
--	---	--	--	--	--



X2

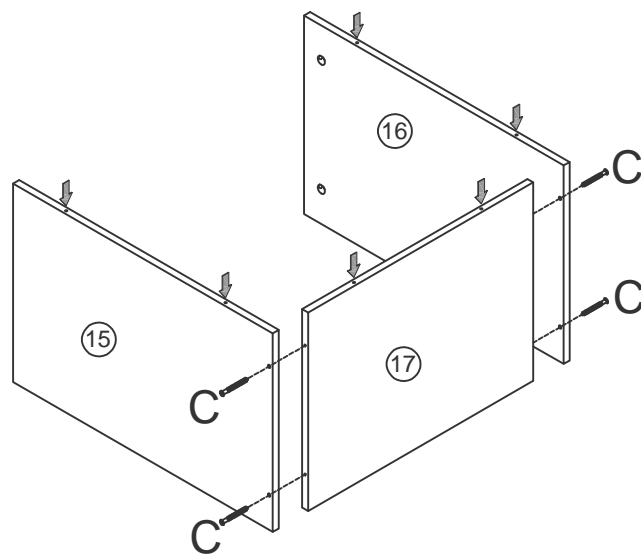


13



14

The hole unifies upward.



C M5X40



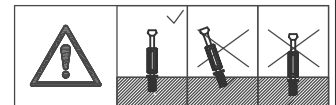
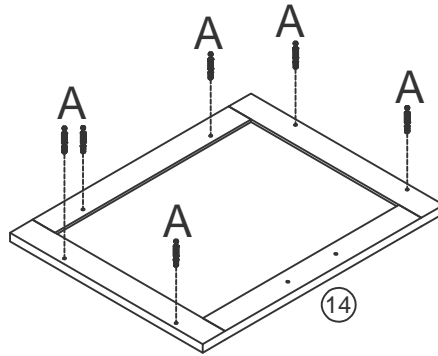
4 PCS

15

A M5X42



6 PCS

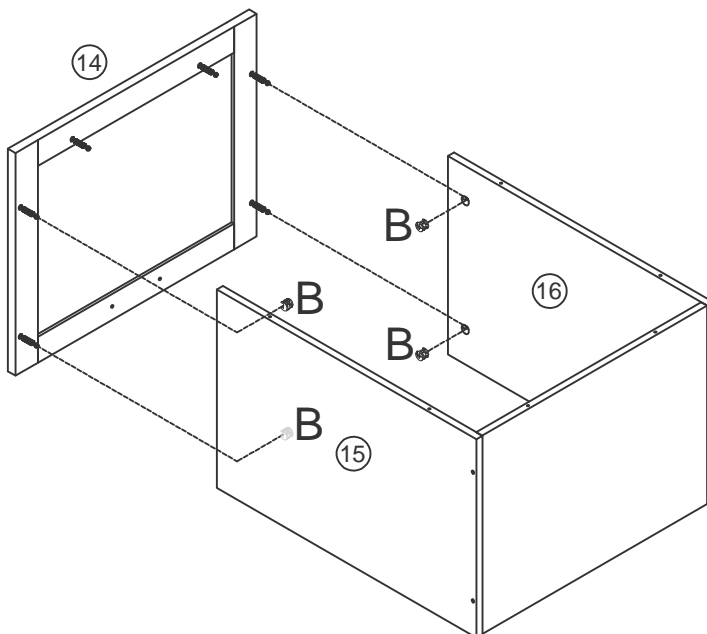


16

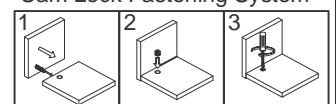
B Ø15X10



4 PCS



Cam Lock Fastening System

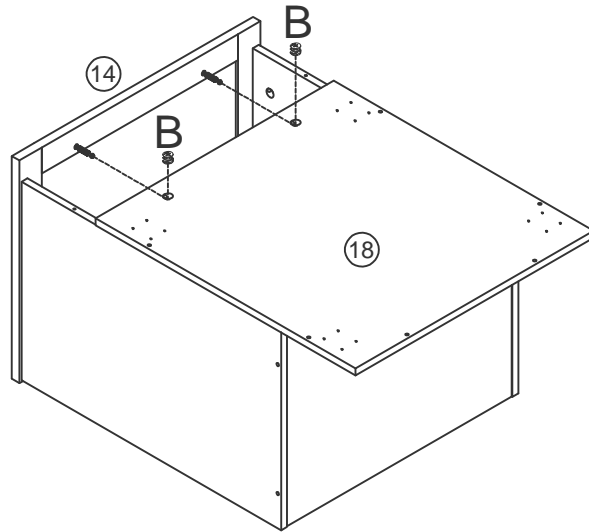


17

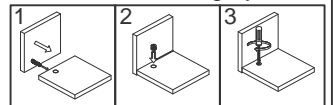
B Ø15X10



2 PCS



Cam Lock Fastening System

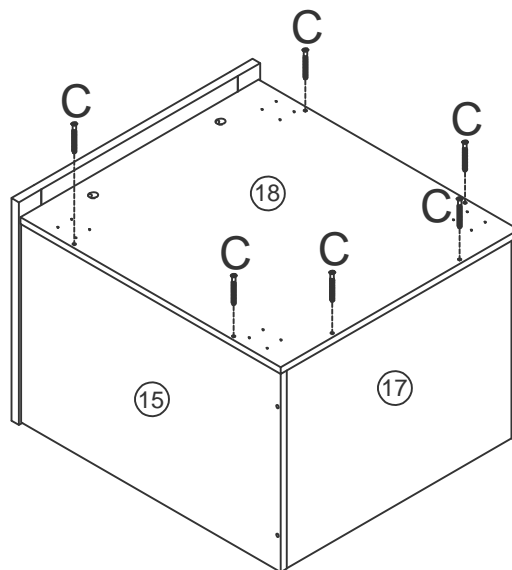


18

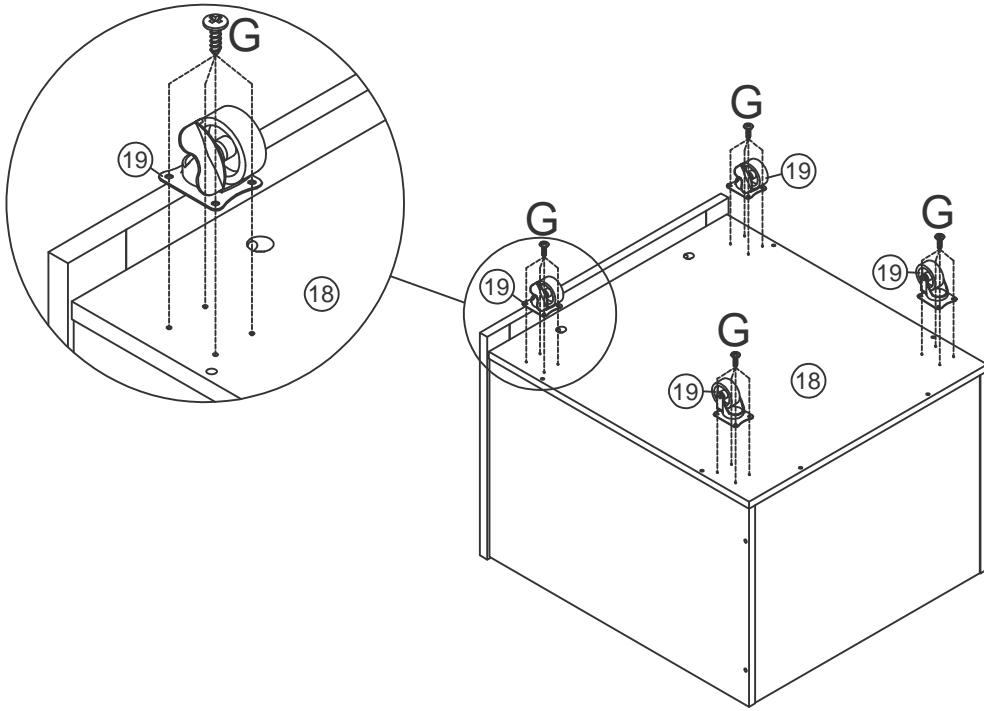
C M5X40



6 PCS



19

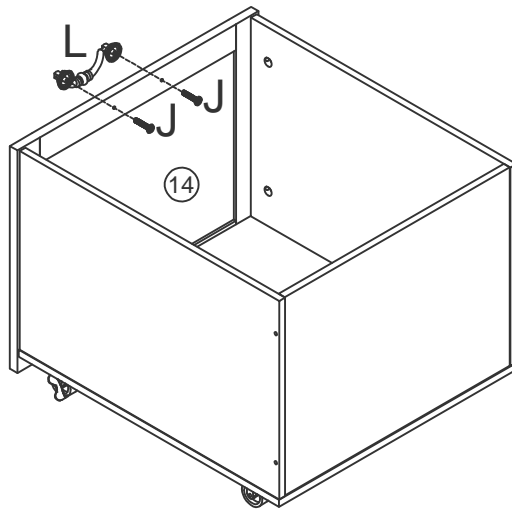


G M4X12



16 PCS

20



J M4X18



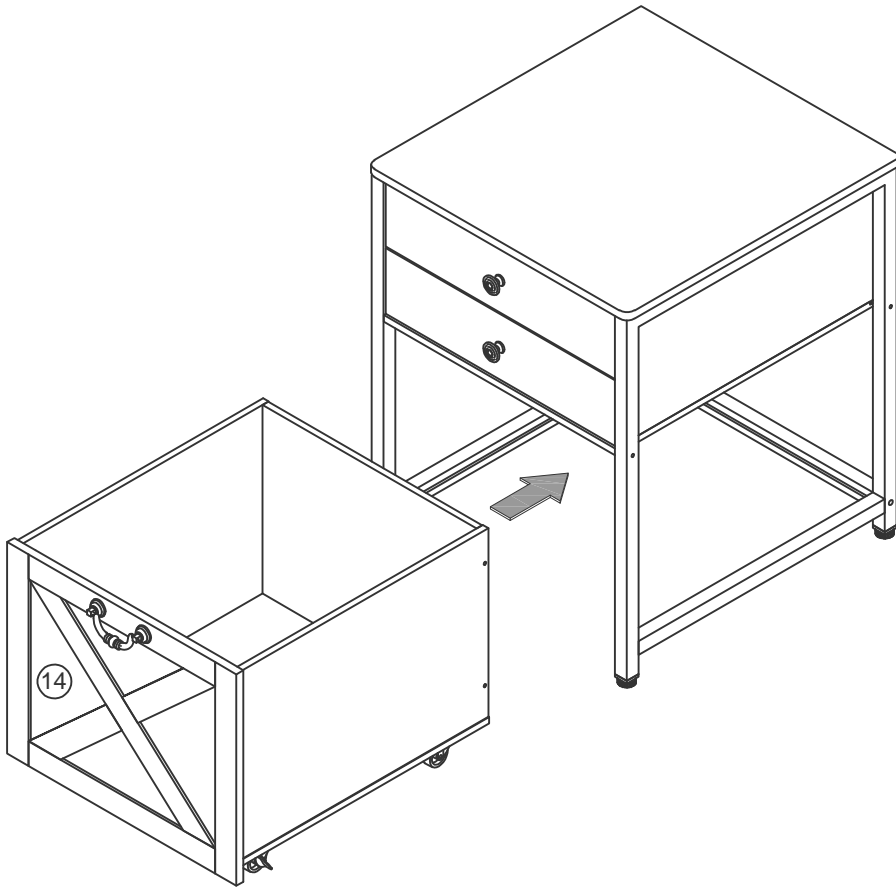
2 PCS

L



1 PCS

21



22

