



CORDLESS ANGLE GRINDER AKKU-WINKELSCHLEIFER MEULEUSE D'ANGLE SANS FIL PWSA 20-Li E4

(GB) (IE)

CORDLESS ANGLE GRINDER

Translation of the original instructions

(FR) (BE)

MEULEUSE D'ANGLE SANS FIL

Traduction des instructions d'origine

(CZ)

AKU ÚHLOVÁ BRUSKA

Překlad originálního provozního návodu

(SK)

AKUMULÁTOROVÁ UHLOVÁ BRÚSKA

Preklad originálneho návodu na obsluhu

(DK)

BATTERIDREVEN VINKELSLIBER

Oversættelse af den originale driftsvejledning

(HU)

AKKUS SAROKCSISZOLÓ

Az originál használati utasítás fordítása

(HR)

AKU KUTNA BRUSILICA

Prijevod originalnih uputa za uporabu

(BG)

АКУМУЛАТОРЕН ЪГЛОШЛАЙФ

Превод на оригиналното ръководство за експлоатация

(DE) (AT) (CH)

AKKU-WINKELSCHLEIFER

Originalbetriebsanleitung

(NL) (BE)

ACCU-HAAKSE SLIJPMACHINE

Vertaling van de originele gebruiksaanwijzing

(PL)

AKUMULATOROWA SZLIFIERKA KĄTOWA

Tłumaczenie oryginalnej instrukcji obsługi

(ES)

AMOLADORA ANGULAR RECARGABLE

Traducción del manual de instrucciones original

(IT)

SMERIGLIATRICE ANGOLARE RICARICABILE

Traduzione delle istruzioni d'uso originali

(SI)

AKUMULATORSKI KOTNI BRUSILNIK

Prevod originalnega navodila za uporabo

(RO)

POLIZOR UNGHIULAR

Traducerea instrucțiunilor de utilizare original

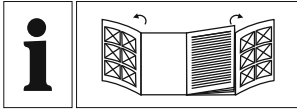
(GR)

ΕΠΑΝΑΦΟΡΤΙΖΟΜΕΝΟΣ ΓΩΝΙΑΚΟΣ ΤΡΟΧΟΣ

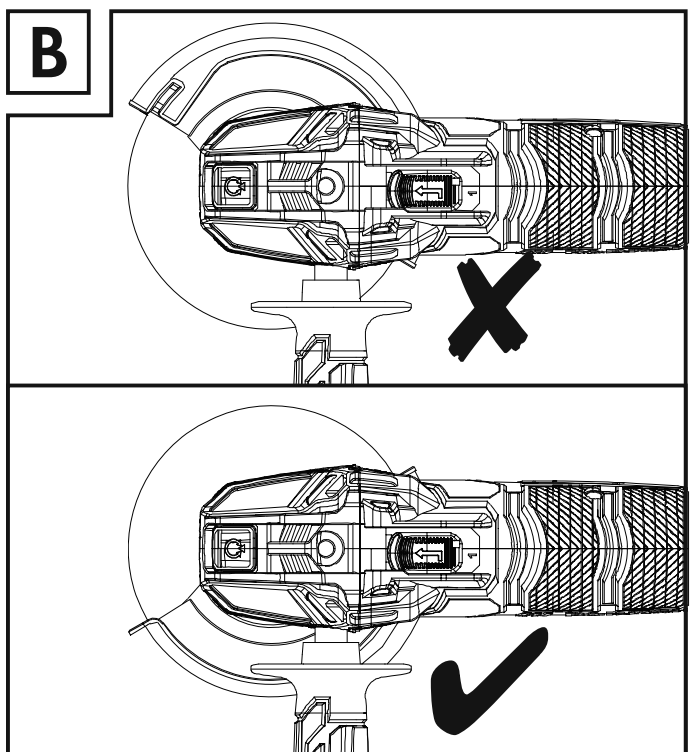
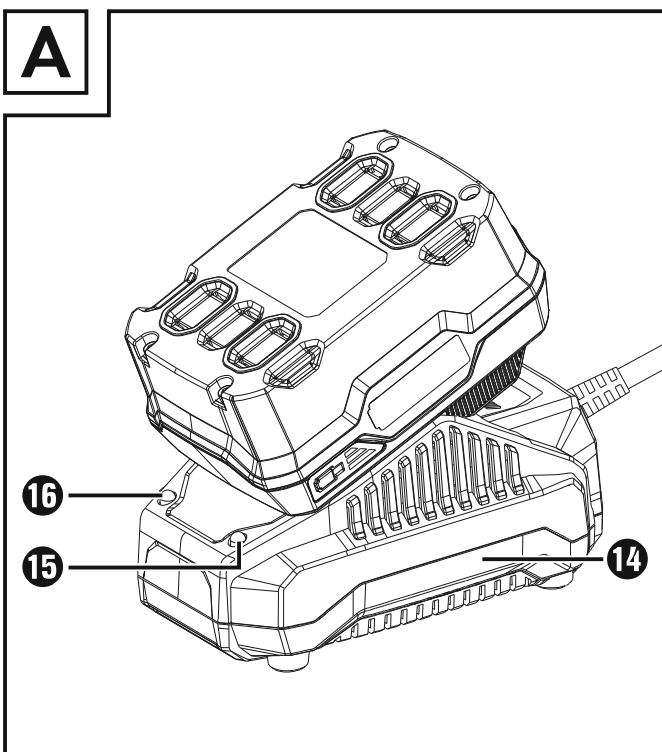
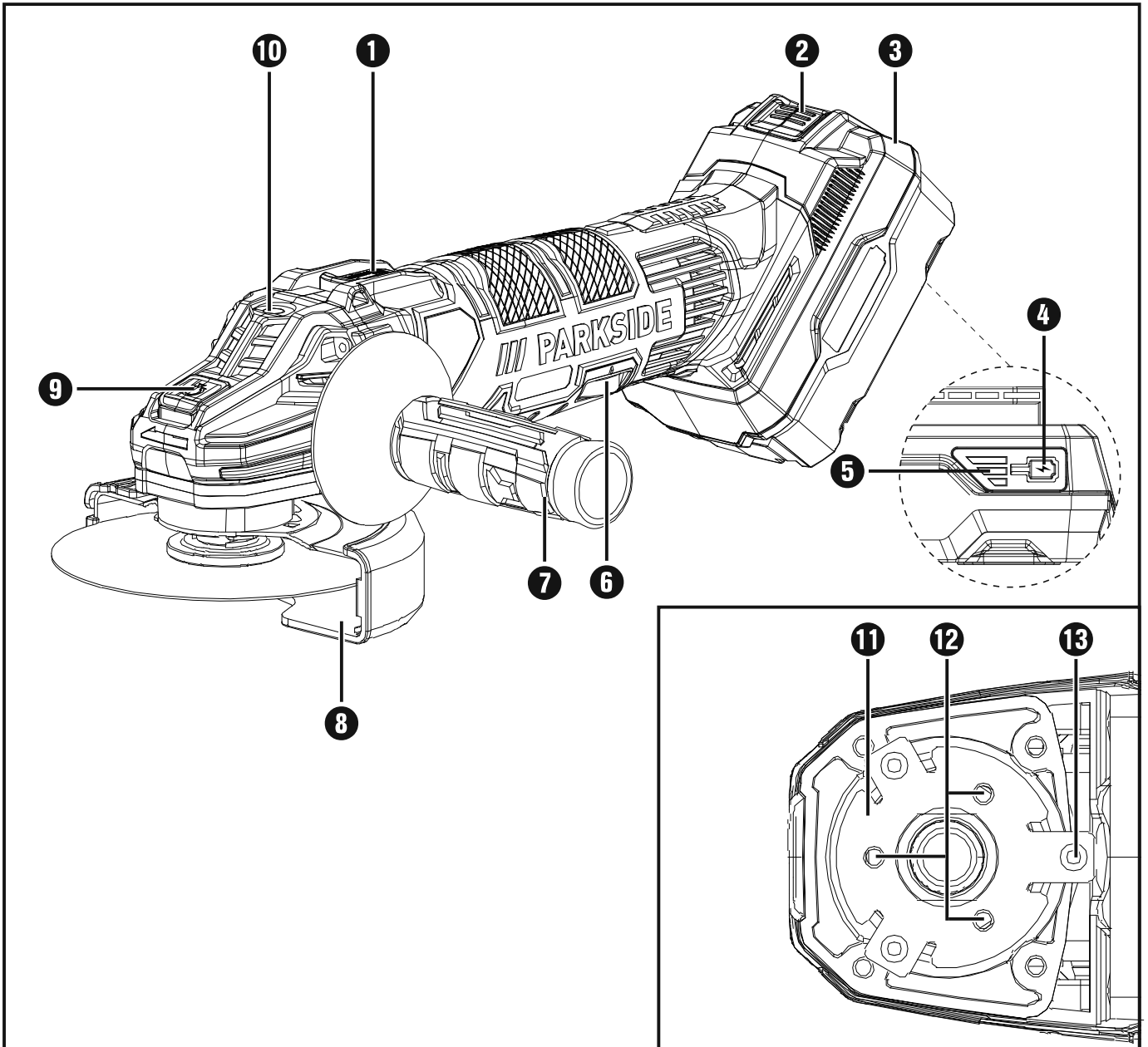
Μετάφραση των αυθεντικών οδηγιών λειτουργίας

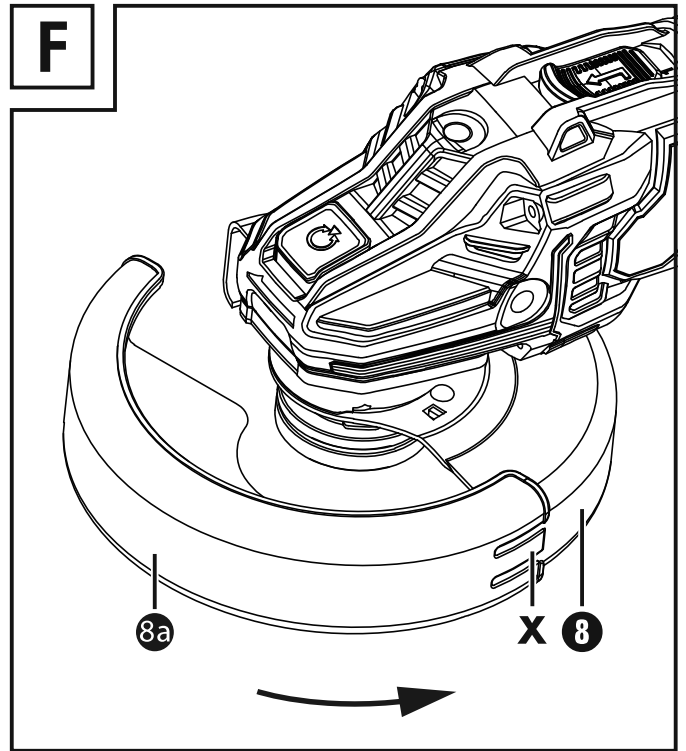
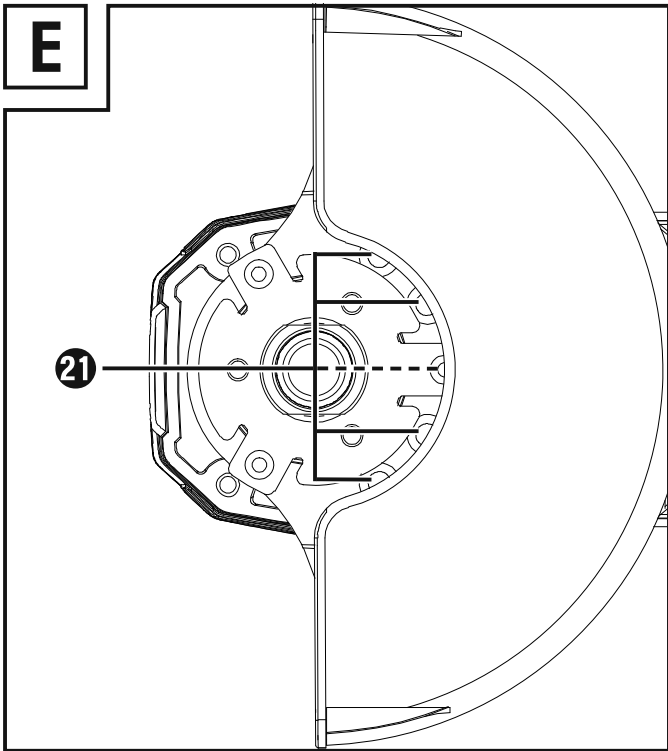
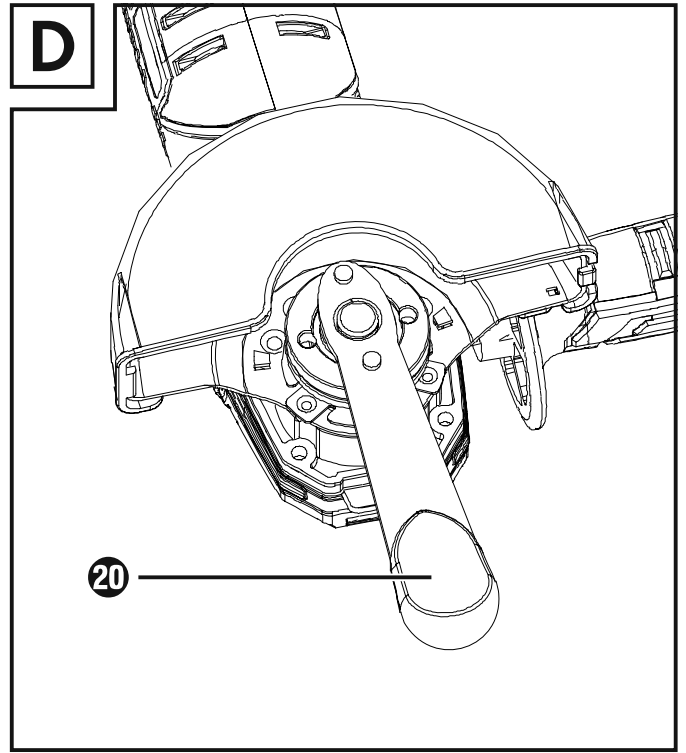
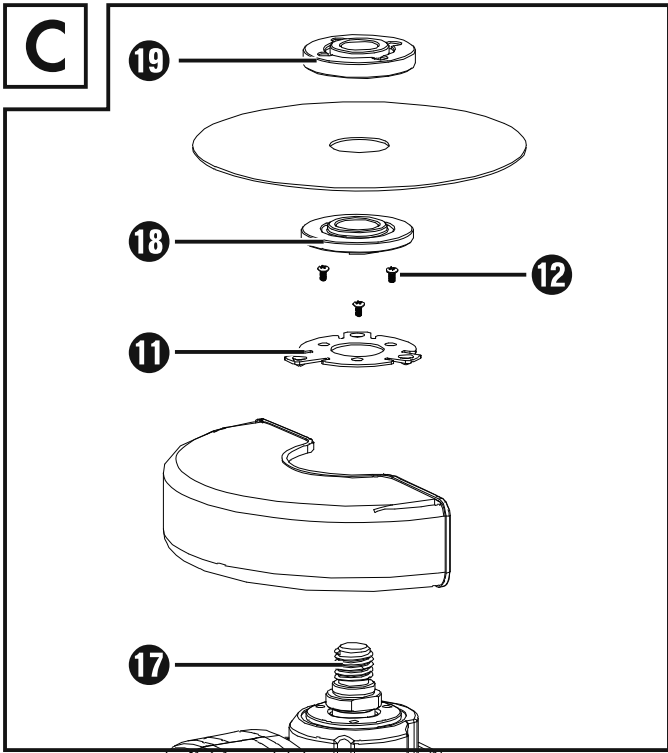
IAN 443996_2207

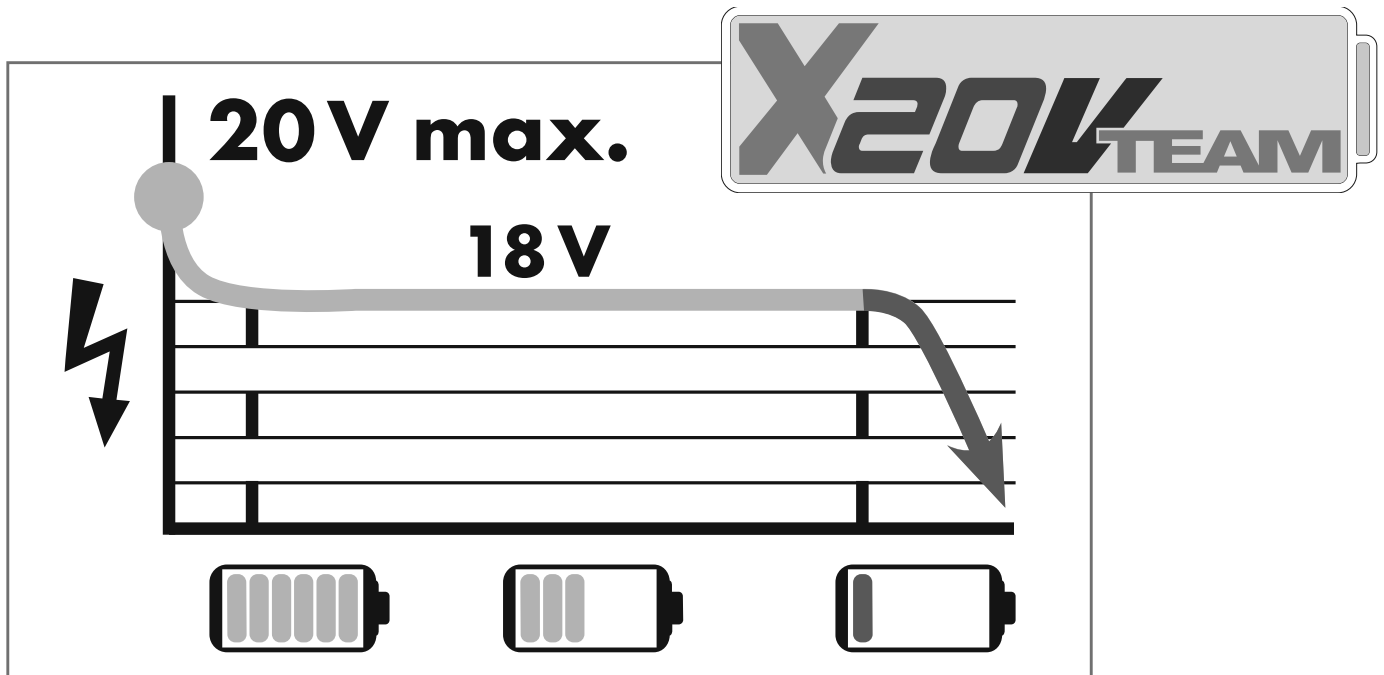
(DE) (AT) (BE) (NL)
(CZ) (PL) (SK) (DK) (HU)



GB/IE	Translation of the original instructions	Page	1
DE/AT/CH	Originalbetriebsanleitung	Seite	19
FR/BE	Traduction des instructions d'origine	Page	39
NL/BE	Vertaling van de originele gebruiksaanwijzing	Pagina	61
CZ	Překlad originálního provozního návodu	Strana	79
PL	Tłumaczenie oryginalnej instrukcji obsługi	Strona	97
SK	Preklad originálneho návodu na obsluhu	Strana	117
ES	Traducción del manual de instrucciones original	Página	135
DK	Oversættelse af den originale driftsvejledning	Side	155
IT	Traduzione delle istruzioni d'uso originali	Pagina	173
HU	Az originál használati utasítás fordítása	Oldal	191
SI	Prevod originalnega navodila za uporabo	Stran	211
HR	Prijevod originalnih uputa za uporabu	Stranica	229
RO	Traducerea instrucțiunilor de utilizare original	Pagina	247
BG	Превод на оригиналното ръководство за експлоатация	Страница	265
GR	Μετάφραση των αυθεντικών οδηγιών λειτουργίας	Σελίδα	285







All Parkside tools and the chargers PLG 20 A1/A4/C1/A2/C2/A3/C3/PDSLГ 20 A1/PLGS 2012 A1 of the X20V Team series are compatible with the PAP 20 A1/A2/A3/B1/B3/PAPS 204 A1/PAPS 208 A1 battery pack.

Alle Parkside Geräte und die Ladegeräte PLG 20 A1/A4/C1/A2/C2/A3/C3/PDSLГ 20 A1/PLGS 2012 A1 der X20 V Team Serie sind mit dem Akku-Pack PAP 20 A1/A2/A3/B1/B3/PAPS 204 A1/PAPS 208 A1 kompatibel.

Tous les outils Parkside et les chargeurs PLG 20 A1/A4/C1/A2/C2/A3/C3/PDSLГ 20 A1/PLGS 2012 A1 de la série X20 V Team sont compatibles avec la batterie PAP 20 A1/A2/A3/B1/B3/PAPS 204 A1/PAPS 208 A1.

Charging times Ladezeiten Temps de charge	max. 2,4 A Charger Ladegerät	max. 3,5 A Charger Ladegerät	max. 4,5 A Charger Ladegerät	max. 4,5 A Charger Ladegerät	max. 12,0 A Charger Ladegerät
Charging currents Ladeströme Courants de charge	PLG 20 A1/A4/C1	PLG 20 A2/C2	PLG 20 A3/C3	PDSLГ 20 A1	PLGS 2012 A1
2 Ah PAP 20 A1/B1 Battery pack · Akku · Batterie	<u>60 min</u> 2,4 A	<u>45 min</u> 3,5 A	<u>35 min</u> 3,8 A	<u>35 min</u> 3,8 A	<u>35 min</u> 3,8 A
3 Ah PAP 20 A2 Battery pack · Akku · Batterie	<u>90 min</u> 2,4 A	<u>60 min</u> 3,5 A	<u>45 min</u> 4,5 A	<u>45 min</u> 4,5 A	<u>32 min</u> 5,3 A
4 Ah PAP 20 A3/B3 Battery pack · Akku · Batterie	<u>120 min</u> 2,4 A	<u>80 min</u> 3,5 A	<u>60 min</u> 4,5 A	<u>60 min</u> 4,5 A	<u>35 min</u> 7,8 A
4 Ah PAPS 204 A1 Battery pack · Akku · Batterie	<u>120 min</u> 2,4 A	<u>80 min</u> 3,5 A	<u>50 min</u> 4,5 A	<u>50 min</u> 4,5 A	<u>35 min</u> 6,0 A
8 Ah PAPS 208 A1 Battery pack · Akku · Batterie	<u>210 min</u> 2,4 A	<u>165 min</u> 3,5 A	<u>120 min</u> 4,5 A	<u>120 min</u> 4,5 A	<u>45 min</u> 12,0 A

Contents

Introduction	2
Intended use	2
Features	2
Package contents	3
Technical details	3
General power tool safety warnings	4
1. Work area safety	4
2. Electrical safety	4
3. Personal safety	4
4. Power tool use and care	5
5. Use and handling of the cordless electrical power tool	5
6. Service	5
Safety instructions for all applications	5
Kickback and corresponding safety instructions	7
Special safety instructions for grinding and abrasive cutting	7
Additional special safety instructions for abrasive cutting	8
Safety guidelines for battery chargers	8
Permissible accessories	9
Storage and handling of the recommended accessory tools	9
Working procedures	9
Before use	10
Charging the battery pack (see fig. A)	10
Attaching/disconnecting the battery pack to/from the appliance	11
Checking the battery charge level	11
Fitting the protective cover for cutting	11
Adjusting the blade guard	11
Fitting the additional handle	11
Fitting/changing the roughing/cutting disc	12
Operation	12
Switching on and off	12
Adjusting the rotational speed	13
Maintenance and cleaning	13
Disposal	13
Kompernass Handels GmbH warranty	14
Service	15
Importer	15
Translation of the original Conformity Declaration	16
Ordering a replacement battery and charger	17

CORDLESS ANGLE GRINDER PWSA 20-Li E4

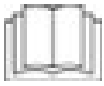


Introduction


Congratulations on the purchase of your new appliance. You have chosen a high-quality product. The operating instructions are part of this product. They contain important information about safety, usage and disposal. Before using the product, please familiarise yourself with all operating and safety instructions. Use the product only as described and for the range of applications specified. Please also pass these operating instructions on to any future owner.

Intended use

The appliance is intended for cutting, rough cutting and brushing metal, concrete or tiles without the use of water. Any other usage or modification of the appliance is deemed to be improper and carries a significant risk of accidents. The manufacturer accepts no responsibility for damage(s) resulting from improper usage. The appliance is not intended for commercial use.

Explanation of the symbols used

	Before using the appliance for the first time, read the original operating instructions and safety instructions.
	The use of damaged cutting or polishing discs is dangerous and can lead to serious injuries!
	Diameter of the disc
	Cordless angle grinder
	Wear protective goggles!
	Wear ear muffs!

	Wear safety shoes!
	Wear protective gloves!
	Wear a dust mask!
	Not approved for wet grinding
	Not approved for side grinding
	Suitable for grinding metal
	Always use the power tool with both hands

Features

- ❶ ON/OFF switch
- ❷ Release button for the battery pack
- ❸ Battery pack*
- ❹ Battery charge level button
- ❺ Battery display LED
- ❻ Adjusting wheel for speed pre-selection
- ❼ Additional handle
- ❽ Blade guard
- ❽a Protective cover
- ❾ Spindle locking button
- ❿ Screw thread (3 x) for the additional handle
- ⓫ Mounting ring
- ⓬ Screws
- ⓭ Blade guard fixture
- ⓮ High-speed charger (see fig. A)*
- ⓯ Red charge control LED (see fig. A)
- ⓰ Green charge control LED (see fig. A)
- ⓱ Attachment spindle (see fig. C)
- ⓲ Attachment flange (see fig. C)
- ⓳ Clamping nut (see fig. C)

20 Two-hole mounting spanner (see fig. D)

21 Bulges

Package contents

- 1 cordless angle grinder
- 1 additional handle
- 1 blade guard (pre-assembled)
- 1 two-hole mounting spanner
- 1 cutting disc (pre-assembled)
- 1 set of operating instructions

Technical details

Cordless angle grinder PWSA 20-Li E4

Rated voltage	20 V \equiv (DC)
Rated idle speed	n 2500–11000 rpm
Disc width	Ø 125 mm
Thread size	M14

Battery PAP 20 B3*

Type	LITHIUM ION
Rated voltage	20 V \equiv (DC)
Capacity	4 Ah
Cells	10

High-speed charger PLG 20 C3*

INPUT

Rated voltage	230–240 V \sim , 50 Hz (AC)
Rated power consumption	120 W
Fuse (internal)	3.15 A T3.15A

OUTPUT

Rated voltage	21.5 V \equiv (DC)
Rated current	4.5 A
Charging time	approx. 60 min.
Protection class	II/□ (double insulation)

* BATTERY AND CHARGER ARE NOT INCLUDED

Noise and vibration data

Noise measurement value determined in accordance with EN 60745. The A-rated noise level of the power tool is typically:

Noise emission value

Sound pressure level	$L_{PA} = 83.6$ dB (A)
Uncertainty	$K = 3$ dB
Sound power level	$L_{WA} = 94.6$ dB (A)
Uncertainty	$K = 3$ dB

Wear ear muffs!

Total vibration value

Surface grinding main handle	$a_{h,AG} < 2.5$ m/s ²
Uncertainty	$K = 1.5$ m/s ²
Surface grinding Additional handle	$a_{h,AG} < 2.5$ m/s ²
Uncertainty	$K = 1.5$ m/s ²

NOTE

► The vibration level specified in these instructions has been measured in accordance with a standardised measuring procedure and can be used for equipment comparisons. The specified vibration emission value can also be used to make an initial exposure estimate.

WARNING!

► The vibration level varies depending on the use of the power tool and may be higher than the value specified in these instructions in some cases. Regular use of the power tool in this way may cause the user to underestimate the vibration. Try to keep the vibration loads as low as possible. Measures to reduce the vibration load are, e.g. wearing gloves and limiting the working time. Wherein all states of operation must be included (e.g. times when the power tool is switched off and times where the power tool is switched on but running without load).



General power tool safety warnings

⚠ WARNING!

- ▶ Read all safety warnings and all instructions. Failure to follow the warnings and instructions may result in electric shock, fire and/or serious injury.

Save all warnings and instructions for future reference.

The term "power tool" in the warnings refers to your mains-operated (corded) power tool or battery-operated (cordless) power tool.

1. Work area safety

- a) **Keep work area clean and well lit.**
Cluttered or dark areas invite accidents.
- b) **Do not operate power tools in explosive atmospheres, such as in the presence of flammable liquids, gases or dust.** Power tools create sparks which may ignite the dust or fumes.
- c) **Keep children and bystanders away while operating a power tool.** Distractions can cause you to lose control.

2. Electrical safety

- a) **Power tool plugs must match the outlet.**
Never modify the plug in any way.
Do not use any adapter plugs with earthed (grounded) power tools. Unmodified plugs and matching outlets will reduce risk of electric shock.
- b) **Avoid body contact with earthed or grounded surfaces, such as pipes, radiators, ranges and refrigerators.** There is an increased risk of electric shock if your body is earthed or grounded.
- c) **Do not expose power tools to rain or wet conditions.** Water entering a power tool will increase the risk of electric shock.
- d) **Do not abuse the cord.** Never use the cord for carrying, pulling or unplugging the power tool. Keep cord away from heat, oil, sharp edges or moving parts. Damaged or entangled cords increase the risk of electric shock.

- e) **When operating a power tool outdoors, use an extension cord suitable for outdoor use.** Use of a cord suitable for outdoor use reduces the risk of electric shock.
- f) **If operating a power tool in a damp location is unavoidable, use a residual current device (RCD) protected supply.** Use of an RCD reduces the risk of electric shock.

3. Personal safety

- a) **Stay alert, watch what you are doing and use common sense when operating a power tool. Do not use a power tool while you are tired or under the influence of drugs, alcohol or medication.** A moment of inattention while operating power tools may result in serious personal injury.
- b) **Use personal protective equipment. Always wear eye protection.** Protective equipment such as dust mask, non-skid safety shoes, hard hat, or hearing protection used for appropriate conditions will reduce personal injuries.
- c) **Prevent unintentional starting. Ensure the switch is in the off-position before connecting to power source and/or battery pack, picking up or carrying the tool.** Carrying power tools with your finger on the switch or energising power tools that have the switch on invites accidents.
- d) **Remove any adjusting key or wrench before turning the power tool on.** A wrench or a key left attached to a rotating part of the power tool may result in personal injury.
- e) **Do not overreach. Keep proper footing and balance at all times.** This enables better control of the power tool in unexpected situations.
- f) **Dress properly. Do not wear loose clothing or jewellery. Keep your hair, clothing and gloves away from moving parts.** Loose clothes, jewellery or long hair can be caught in moving parts.
- g) **If devices are provided for the connection of dust extraction and collection facilities, ensure these are connected and properly used.** Use of dust collection can reduce dust-related hazards.

4. Power tool use and care

- a) Do not force the power tool. Use the correct power tool for your application. The correct power tool will do the job better and safer at the rate for which it was designed.
- b) Do not use the power tool if the switch does not turn it on and off. Any power tool that cannot be controlled with the switch is dangerous and must be repaired.
- c) Disconnect the plug from the power source and/or the battery pack from the power tool before making any adjustments, changing accessories, or storing power tools. Such preventive safety measures reduce the risk of starting the power tool accidentally.
- d) Store idle power tools out of the reach of children and do not allow persons unfamiliar with the power tool or these instructions to operate the power tool. Power tools are dangerous in the hands of untrained users.
- e) Maintain power tools. Check for misalignment or binding of moving parts, breakage of parts and any other condition that may affect the power tool's operation. If damaged, have the power tool repaired before use. Many accidents are caused by poorly maintained power tools.
- f) Keep cutting tools sharp and clean. Properly maintained cutting tools with sharp cutting edges are less likely to bind and are easier to control.
- g) Use the power tool, accessories and tool bits etc. in accordance with these instructions, taking into account the working conditions and the work to be performed.
Use of the power tool for operations different from those intended could result in a hazardous situation.

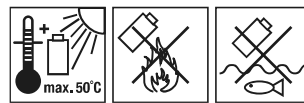
5. Use and handling of the cordless electrical power tool

- a) Charge a rechargeable battery unit using only the charger recommended by the manufacturer. Chargers are often designed for a particular type of rechargeable battery unit. There is the danger of fire if other types of rechargeable battery units are used.

- b) Only the rechargeable battery units supplied are to be used with an electrical power tool. The use of other rechargeable batteries may lead to a risk of injury or fire.
- c) When they are not being used, store rechargeable battery units away from paper-clips, coins, keys, nails, screws or other small metal objects that could cause the contacts to be bridged. Short-circuiting the contacts of a rechargeable battery unit may result in heat damage or fire.
- d) Fluids may leak out of rechargeable battery units if they are misused. If this happens, avoid contact with the fluid. If contact occurs, flush the affected area with water. Seek additional medical help if any of the fluid gets into your eyes. Escaping battery fluid may cause skin irritation or burns.



CAUTION! RISK OF EXPLOSION!
Never charge non-rechargeable batteries.



Protect the rechargeable battery from heat (for example, from continuous exposure to sunlight), fire, water and moisture. There is a risk of explosion.

6. Service

- a) Have your power tool serviced by a qualified repair person using only identical replacement parts. This will ensure that the safety of the power tool is maintained.
- b) Never service damaged battery packs. Service of battery packs should only be performed by the manufacturer or authorized service providers.

Safety instructions for all applications

Special safety instructions for grinding and abrasive cutting

- a) This power tool is to be used as a grinder and abrasive cutting appliance. Please follow all safety instructions, instructions, diagrams and data that you receive with the appliance. If you do not observe the following instructions, this can lead to an electrical shock, fire and/or serious injuries.

- b) **This power tool is not suitable for sandpaper sanding, working with a steel brush or burnishing.** Using the power tool for applications for which it is not designed can lead to hazards and injuries.
- c) **Do not use any accessories that have not been specifically provided or recommended by the manufacturer for this power tool.** Just because you can attach the accessories to your power tool does not guarantee they are safe to use.
- d) **The maximum speed of the accessory tool used must be at least as high as the maximum speed specified for the power tool.** Accessories that rotate faster than the permissible rate can break and throw pieces into the air.
- e) **The external diameter and thickness of the accessory tool used must comply with the dimensions of the power tool.** Incorrectly dimensioned accessory tools cannot be sufficiently shielded or controlled.
- f) **Attachment tools with a thread insert must match the thread of the grinding spindle exactly.** For attachment tools that are mounted using a flange, the diameter of the hole on the attachment tool must correspond to the width of the fitment on the flange. Accessory tools that cannot be fitted precisely onto the power tool will rotate unevenly, vibrate severely and can lead to a loss of control.
- g) **Never use damaged attachment parts. Check accessory tools such as grinding discs before each use for chips or cracks, grinding plates for cracks, wearing or excessive wear and tear and wire brushes for loose or broken wires.** If the power tool or the accessory tool in use is dropped, check to see if it is damaged or use an undamaged accessory tool. When you have checked and inserted the accessory tool, ensure that you and any other people in the vicinity remain outside of the level of the rotating accessory tool and allow the tool to rotate at maximum speed for one minute. Damaged accessories usually break during the test period.
- h) **Wear personal protective equipment.** Depending on the application, ensure that you use full face protection, eye protection or goggles. Use a dust mask, hearing protection, protective gloves or special apron to protect yourself from grindings and material particles as required. Protect your eyes from flying debris that may be created during certain applications. Dust or filter masks must be used to filter any dust created by the application. If you are exposed to loud noise for any length of time, you may suffer hearing loss.
- i) **Ensure that other people remain at a safe distance from your workspace. Anyone who enters the workspace must wear personal protective equipment.** Fragments of the workpiece or broken accessory tools can fly off and cause injury – even outside the immediate working area.
- j) **Hold the power tool only by the insulated handles when you are carrying out work in which the accessory tool may come into contact with concealed power cables.** Contact with a live cable can also make metal parts of the appliance live and could result in an electric shock.
- k) **Keep the power cord away from any rotating accessories.** If you lose control of the appliance, the cord may get caught or cut and your hand or arm could get caught in the rotating accessory tool.
- l) **Never put the power tool down until the accessory tool being used has come to a complete standstill.** The rotating accessory tool can come into contact with the surface and cause you to lose control of the power tool.
- m) **Do not leave the power tool running whilst carrying it.** Accidental contact between your clothing and the rotating accessory tool could lead to physical injury.
- n) **Clean the ventilation slits of your power tool regularly.** The engine fan draws dust into the housing and a strong accumulation of metal dust can cause electrical hazards.

- o) **Never use the power tool in the vicinity of inflammable materials.** Sparks can ignite these materials.
- p) **Do not use any accessory tools which require liquid coolant.** The use of water or other liquid coolants may lead to electric shock.

Kickback and corresponding safety instructions

Kickback is a sudden reaction caused when a rotating accessory tool, e.g. grinding disc, grinding plate, etc., catches or jams. Catching or jamming leads to an abrupt stop of the rotating accessory tool. If this happens, an uncontrolled power tool turns rapidly against the direction of rotation of the accessory tool caught in the blockage.

If, for example, a grinding disc catches or jams in a workpiece, the edge of the grinding disc projecting into the workpiece can get caught and break off the grinding disc or cause a kickback. The grinding disc can then fly in the direction of the operator or away from him, depending on the direction of rotation of the disc at the blockage. This can also break grinding discs.

A kickback is caused by improper or incorrect use of the power tool. This can be avoided by taking proper precautions as described below.

- a) **Hold the power tool firmly in both hands and position your body and arms so they can absorb the force of a kickback. Always use the additional handle, if available, so that you have the maximum possible control over the kickback force or reaction forces at full speed.** By taking adequate precautions, the operator can stay in control of the kickback and reaction torques.
- b) **Never hold your hand close to a rotating accessory tool.** The accessory tool could hit your hand in the event of a kickback.
- c) **Avoid having any part of your body in the region in which the power tool is likely to move in event of a kickback.** The kickback will force the power tool in the opposite direction to the direction of rotation of the grinding disc at the blockage.
- d) **Take special care when working near corners, sharp edges, etc. Avoid allowing the accessory tool to bounce back from the workpiece or jam.** The rotating accessory tool is more likely to jam in corners or sharp edges or if it rebounds off them. This can cause a loss of control or kickback.
- e) **Do not use chains or toothed saw blades.** Such accessories often cause a kickback or loss of control over the power tool.

Special safety instructions for grinding and abrasive cutting

- a) **Use only the grinding accessories approved for your power tool and the appropriate blade guard for these grinding tools.** Grinding tools which are not designed for the power tool cannot be sufficiently shielded and are unsafe.
- b) **Offset grinding discs must be fitted so that the grinding surface does not protrude over the level of the blade guard edge.** An improperly fitted grinding disc which protrudes over the level of the blade guard edge cannot be properly guarded.
- c) **The blade guard must be securely mounted on the power tool and adjusted to ensure maximum safety so that the smallest possible amount of the grinding tool is exposed to the operator.** The blade guard is designed to protect the operator from fragments, accidental contact with the grinding tool and sparks that could ignite clothing.
- d) **Grinding tools should only be used for the recommended applications. For example: Never grind with the side surface of a cutting disc.** Cutting discs are designed to remove material with the edge of the disc. Any lateral application of force on these grinding tools can lead to breakage.
- e) **Always use an undamaged clamping flange of the correct size and shape for the selected grinding disc.** Suitable flanges support the grinding disc and reduce the risk of disc breakage. Flanges for cutting discs can be different to flanges for other grinding discs.

- f) Do not use worn grinding discs from larger power tools. Grinding discs for larger power tools are not designed for the higher rotational speeds of smaller power tools and can break.

Additional special safety instructions for abrasive cutting

- a) Avoid any blockage to the cutting disc or high contact pressure. Do not make any excessively deep cuts. Overloading the cutting disc increases the stress and likelihood of tilting or jamming and thus the possibility of kickback or breakage of the grinding tool.
- b) Avoid the area in front of and behind the rotating cutting disc. When you move the cutting disc away from yourself in the workpiece, it is possible, in the event of a kickback, that the power tool along with the rotating disc might be thrown out directly towards you.
- b) If the cutting disc jams or you stop working, switch the tool off and hold it steadily in the workpiece until the disc has completely stopped turning. Never attempt to pull a rotating cutting disc out of a cut. This could lead to kickback. Identify and remove the cause of the jam.
- d) Do not switch the power tool back on while it is located in the workpiece. Allow the cutting disc to reach its full speed before you carefully continue the cut. Otherwise, the disc can jam, jump out of the workpiece or cause kickback.
- e) Support boards or large workpieces to reduce the risk of the cutting disc jamming and causing a kickback. Large workpieces can bend under their own weight. The workpiece must be supported on both sides of the disc: both in the vicinity of the cutting disc and also at the edge.
- f) Be particularly careful when making pocket cuts into existing walls or other obscured areas. The inserted cutting disc may cut into gas or water pipes, electrical wiring or other objects that can cause kickback.

Safety guidelines for battery chargers

- This appliance may be used by children aged 8 years and above and by persons with limited physical, sensory or mental capabilities or lack of experience and knowledge, provided that they are under supervision or have been told how to use the appliance safely and are aware of the potential risks. Do not allow children to use the appliance as a toy. Cleaning and user maintenance tasks may not be carried out by children unless they are supervised.
- To avoid potential risks, damaged mains cables should be replaced by the manufacturer, their customer service department or a similarly qualified person.



The charger is suitable for indoor use only.

⚠ WARNING!

- To avoid potential risks, damaged mains cables should be replaced by the manufacturer, their customer service department or a similarly qualified person.

⚠ ATTENTION!

- ◆ This charger can only charge the following batteries: PAP 20 A1/PAP 20 A2/PAP 20 A3/PAP 20 B1/PAP 20 B3/PAPS 204 A1/PAPS 208 A1.
- ◆ A current list of battery compatibility can be found at www.lidl.de/Akku.

Permissible accessories

	Max. diameter Ø (mm)	Max. thickness (mm)	Thread size (mm)	Max speed (rpm)	Max. circumferential speed (m/s)	Tool	Blade guard
Cutting disc	125	3	M14	≥11000	≥72	Two-hole mounting spanner 20	With 8a
Roughing disc	125	6	M14	≥11000	≥72	Two-hole mounting spanner 20	Without 8a

Storage and handling of the recommended accessory tools

- Grinding tools must be treated with care and transported carefully.
- Grinding tools should be stored in such a way that they are not exposed to mechanical damage or environmental influences (e.g. damp).

Working procedures

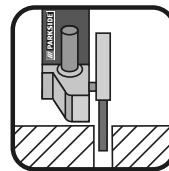
NOTE

- ▶ Grinding tools should only be used for the recommended applications. Otherwise, they can break, be damaged or cause injuries.



Rough grinding
Never use cutting discs for rough grinding!

- Move the angle grinder with moderate pressure back and forth over the workpiece.
- For soft material, move the roughing disc at a flat angle over the workpiece; for hard material at a slightly steeper angle.



Abrasive cutting
Never use roughing discs for cutting!

- Use only tested fibre-reinforced cutting or grinding discs that are approved for a peripheral speed of not less than 80 m/s.

CAUTION!

- ▶ The grinder continues running after being turned off. Do not try to brake it by applying lateral counterpressure.

- **Secure the workpiece.** Use clamps/a vice to hold the workpiece firmly in place. This is much safer than simply holding it in your hand.
- Always switch off the appliance before putting it down and wait for the appliance to come to a complete standstill.
- Use the appliance only for dry cutting or sanding.
- The additional handle 7 must be mounted on the appliance for all work.
- Materials containing asbestos may not be processed. Asbestos is a known carcinogen.



Tip! This symbol indicates proper behaviour.

⚠ DANGER! ALWAYS GUIDE THE APPLIANCE THROUGH THE WORKPIECE IN REVERSE ROTATION.

► In the opposite direction there is a risk of a kickback. The appliance can be pushed out of the cut.

- Always switch the appliance on before applying it to the workpiece. After completing the task, lift the appliance from the workpiece and then switch it off.
- Always hold the appliance firmly with two hands while working. Ensure that your stance is secure and stable.
- For an optimum grinding effect, move the appliance evenly at an angle of 15° to 30° (between the grinding disc and workpiece) backwards and forwards.
- When working on angled surfaces, do not exert great force on the workpiece. If the rotational speed drops significantly, you must reduce the pressure exerted to allow safe and effective working. If the appliance suddenly brakes completely or jams, it must be switched off immediately.
- Cutting: Work at a moderate feed rate and do not tilt the cutting disc.
- Roughing and cutting discs become very hot – let them cool down completely before touching them.
- Never use the appliance for purposes other than the ones for which it was designed.
- Always make sure that the appliance is turned off before inserting the battery into it.
- In the event of danger, turn off the appliance and remove the battery. Ensure that the appliance is easily and quickly accessible in the event of an emergency.

- Always remove the battery during work breaks, when adjusting the appliance and when it is not in use. The appliance must be kept clean, dry and free of oil and grease at all times.
- Remain alert at all times! Always pay attention to what you are doing and act with common sense. Do not use the appliance if you are distracted or feeling unwell.



⚠ WARNING!
Always wear safety goggles.



⚠ WARNING!
Always wear a dust mask!

Before use

Charging the battery pack (see fig. A)

⚠ CAUTION!

- Always unplug the appliance before you remove the battery pack ③ from or connect the battery pack to the charger.

NOTE

- Never charge the battery pack if the ambient temperature is below 10°C or above 40°C. If a lithium-ion battery is to be stored for an extended period, the charge level should be checked regularly. The optimum charge level is between 50% and 80%. The storage climate should be cool and dry and the ambient temperature should be between 0°C and 50°C.
- ◆ Connect the battery pack ③ to the high-speed charger ⑭ (see fig. A).
- ◆ Insert the power plug into the socket. The control LED ⑮ lights up red.
- ◆ The green LED ⑯ indicates that the charging process is complete and the battery pack ③ is ready.

⚠ ATTENTION!

- ◆ If the red control LED **15** flashes, this means that the battery pack **3** has overheated and cannot be charged.
- ◆ If the red and green control LEDs **15 16** both flash, this means that the battery pack **3** is defective.
- ◆ Switch off the charger for at least 15 minutes between successive charging sessions. Also disconnect the power plug from the mains power socket.

Attaching/disconnecting the battery pack to/from the appliance

Attaching the battery pack

- ◆ Allow the battery pack **3** to click into the handle.

Removing the battery pack

- ◆ Press the release button **2** and remove the battery pack **3**.

Checking the battery charge level

- ◆ Press the battery charge level button **4** to check the status of the battery (see also main diagram).
The status/remaining charge will be shown on the battery display LED **5** as follows:
RED/ORANGE/GREEN = maximum charge
RED/ORANGE = medium charge
RED = low charge - charge the battery

Fitting the protective cover for cutting

When cutting with bonded abrasives, always use the protective cover **8a** for cutting.

- ◆ Slide the protective cover **8a** onto the blade guard **8** (see fig. F) until the plastic clip "X" snaps into place at the end.
- ◆ When removing the protective cover **8a**, press the plastic clip "X" in slightly to release the protective cover **8a**.

Adjusting the blade guard

⚠ WARNING! RISK OF INJURY!

- ▶ Always switch the appliance off and remove the battery before carrying out any work on the appliance.

⚠ RISK OF INJURY!

- ▶ Always use the angle grinder with the blade guard **8**. The blade guard should be installed securely. Set it so that the highest possible degree of safety is achieved, i.e. the smallest possible part of the grinding disc is exposed to the operator. The blade guard **8** is designed to protect the operator from fragments and accidental contact with the grinding tool.
- ▶ Make sure that the blade guard **8** is fitted at at least the same angle as the additional handle **7** (see fig. B). Otherwise, you could injure yourself on the roughing disc or cutting disc.

- ◆ Turn the blade guard **8** to the required position (working position). Make sure that the blade guard **8** is positioned in such a way that the blade guard fixture **13** lies over one of the 5 bulges **21** on the blade guard **8** (see Fig. E (fold-out page)).
- ◆ Ensure that the blade guard fixture **13** is firmly seated in the respective bulge **21**.

Fitting the additional handle

⚠ CAUTION!

- ▶ For safety reasons, this appliance may only be used with the additional handle **7**. Failure to do so can lead to serious injury. The additional handle **7** can be screwed onto the left, the right or the top, depending on the job at hand.

Fitting/changing the roughing/cutting disc

Always wear protective gloves when changing cutting/rough grinding discs.

Pay attention to the dimensions of the roughing/cutting disc. The diameter of the hole must fit the attachment flange **18** without any play. Do not use a reducer or adapter.

NOTE

- ▶ Use only discs which are free of dirt.
- Use only grinding discs whose permissible speed rating is at least as high as that on the type plate on the power tool.
- **RISK OF INJURY!** Press the spindle locking button **9** only when the attachment spindle **17** is at a complete standstill.
- ◆ Press the spindle locking button **9** to lock the motor.
- ◆ Undo the clamping nut **19** using the two-hole mounting spanner **20** (see fig D).
- ◆ Place the rough grinding or cutting disc with the label side towards the appliance on the attachment flange **18**.
- ◆ Then replace the clamping nut **19** on the attachment spindle **17** with the raised side facing up.

With thin grinding discs (see fig. 1)

- ◆ The collar of the clamping nut **19** faces upwards so that a thin grinding disc can be fitted safely.

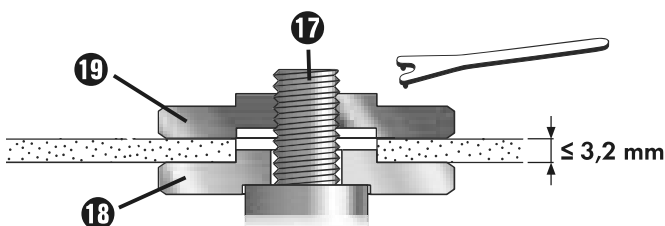


Fig. 1

- ◆ Press the spindle locking button **9** to lock the motor.
- ◆ Tighten the clamping nut **19** using the two-hole mounting spanner **20**.

With thick grinding discs (see fig. 2)

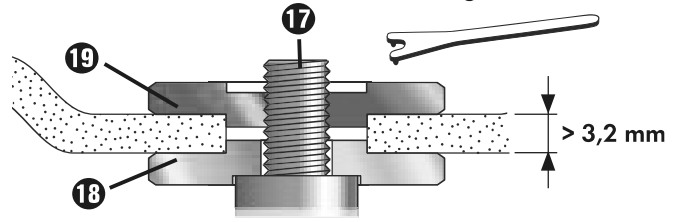


Fig. 2

The collar of the clamping nut **19** faces downwards so that the grinding disc can be fitted securely onto the attachment spindle **17**.

- ◆ Lock the attachment spindle **17**.
- ◆ Tighten the clamping nut **19** in a clockwise direction using the two-hole mounting spanner **20**.

NOTE

- ▶ If the disc does not turn smoothly or vibrates after the change, the disc must be replaced immediately.
- ◆ For safety's sake, run the appliance at maximum speed for 60 seconds after every disc change. Be aware of unusual noises and sparks.
- ◆ Check whether all the fastening elements are correctly fitted.
- ◆ Make sure that the arrow showing the direction of rotation (if any) on the cutting or rough grinding discs (including diamond cutting discs) and the direction of rotation of the appliance (arrow showing the direction of rotation on the head) match.

Operation

Switching on and off

Check the attached tool before use to ensure that all fastening elements are correctly fitted.

NOTE

- ▶ Always switch on the angle grinder before making contact with the material, then apply it to the workpiece.

NOTE

- ▶ If the appliance blocks due to an overload and switches off, it will restart automatically as soon as the cause of the blockage is removed (auto-start function).

Switching on

- ◆ First, press the ON/OFF switch ❶ to the right so that you can then press it forwards.

Switching off

- ◆ Let go of the ON/OFF switch ❶.

Switching to continuous operation

- ◆ First, press the ON/OFF switch ❶ to the right so that you can then press it forwards. Then press the ON/OFF switch ❶ forwards and down until it engages.

Switching off continuous operation

- ◆ Press the ON/OFF switch ❶ to the rear and downwards and release it.

Adjusting the rotational speed

You can use the adjusting wheel for speed pre-selection ❷ to preselect the rotational speed: (1 = slower speed, 6 = faster speed).

We recommend you carry out practice tests to determine the correct speed.

The speed can also be changed during operation.

Maintenance and cleaning



WARNING! RISK OF INJURY! Always switch the appliance off and remove the battery before carrying out any work on the appliance.

The battery angle grinder is maintenance-free.

- Do not use any sharp objects for cleaning the appliance. Never permit liquids to penetrate inside the appliance. Otherwise the appliance could be damaged.
- Clean the appliance regularly, preferably immediately after completion of the work.
- Clean the housing with a dry cloth - do not use petrol, solvents or cleaners which can attack the plastic.

- A vacuum cleaner is required for thorough cleaning of the appliance.
- Ventilation openings must never be obstructed.
- Remove any sanding dust stuck to the appliance with a brush.

NOTE

- ▶ Replacement parts not listed (such as carbon brushes, switch) can be ordered via our service hotline.

⚠ WARNING!

- ▶ Do not use any accessories not recommended by PARKSIDE. This can lead to electric shock and fire.

Disposal

Applies only to France

The product, its packaging and the operating instructions are recyclable. They are subject to an extended manufacturer responsibility and will be collected separately.



Do not dispose of power tools in your normal domestic waste!

The adjacent symbol of a crossed-out dustbin means that this appliance is subject to Directive 2012/19/EU. This directive states that this appliance may not be disposed of in the normal household waste at the end of its useful life, but must be taken to specially set-up collection locations, recycling depots or disposal companies.

The disposal is free of charge for the user. Protect the environment and dispose of this appliance properly.



Your local community or municipal authorities can provide information on how to dispose of the worn-out product.



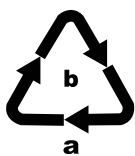
Do not dispose of batteries in your normal household waste!

Defective or worn-out rechargeable batteries must be recycled according to Directive 2006/66/EC. Batteries/rechargeable batteries must be treated as hazardous waste and must therefore be disposed of in an environmentally sound manner by appropriate bodies (dealers, specialist dealers, public municipal bodies, commercial disposal companies). Batteries/rechargeable batteries may contain toxic heavy metals.

For this reason, do not dispose of batteries/rechargeable batteries in domestic waste. Take them to a specialist collection point. Only return batteries that are fully discharged.



The packaging is made from environmentally friendly material and can be disposed of at your local recycling plant.



Dispose of the packaging in an environmentally friendly manner. Note the labelling on the packaging and separate the packaging material components for disposal if necessary. The packaging material is labelled with abbreviations (a) and numbers (b) with the following meanings: 1-7: plastics, 20-22: paper and cardboard, 80-98: composites.

Kompernass Handels GmbH warranty

Dear Customer,

This appliance has a 3-year warranty valid from the date of purchase. If included with the product on delivery, the battery packs of the X12V and X20V Team series also come with a 3-year warranty from the date of purchase. If this product has any faults, you, the buyer, have certain statutory rights. Your statutory rights are not restricted in any way by the warranty described below.

Warranty conditions

The warranty period starts on the date of purchase. Please keep your receipt in a safe place. This will be required as proof of purchase.

If any material or manufacturing fault occurs within three years of the date of purchase of the product, we will either repair or replace the product for you or refund the purchase price (at our discretion). This warranty service requires that you present the defective appliance and the proof of purchase (receipt) within the three-year warranty period, along with a brief written description of the fault and of when it occurred.

If the defect is covered by the warranty, your product will either be repaired or replaced by us. The repair or replacement of a product does not signify the beginning of a new warranty period.

Warranty period and statutory claims for defects

The warranty period is not prolonged by repairs effected under the warranty. This also applies to replaced and repaired components. Any damage and defects present at the time of purchase must be reported immediately after unpacking. Repairs carried out after expiry of the warranty period shall be subject to a fee.

Scope of the warranty

This appliance has been manufactured in accordance with strict quality guidelines and inspected meticulously prior to delivery.

The warranty covers material faults or production faults. The warranty does not cover product parts that are subject to normal wear and tear and can

therefore be considered wearing parts, such as saw blades, replacement blades, abrasive papers, etc. or for damage to fragile parts, such as switches or parts made of glass.

The warranty does not apply if the product has been damaged, improperly used or improperly maintained. The directions in the operating instructions for the product regarding proper use of the product are to be strictly followed. Uses and actions that are discouraged in the operating instructions or which are warned against must be avoided.

This product is intended solely for private use and not for commercial purposes. The warranty shall be deemed void in cases of misuse or improper handling, use of force and modifications/repairs which have not been carried out by one of our authorised Service centres.

The warranty does not apply to

- Normal reduction of the battery capacity over time
- Commercial use of the product
- Damage to or alteration of the product by the customer
- Non-compliance with safety and maintenance instructions, operating errors
- Damage caused by natural hazards

Warranty claim procedure

To ensure quick processing of your case, please observe the following instructions:

- Please have the till receipt and the item number (IAN) 443996_2207 available as proof of purchase.
- You will find the item number on the type plate on the product, an engraving on the product, on the front page of the operating instructions (below left) or on the sticker on the rear or bottom of the product.
- If functional or other defects occur, please contact the service department listed either by **telephone** or by **e-mail**.
- You can return a defective product to us free of charge to the service address that will be provided to you. Ensure that you enclose the proof of purchase (till receipt) and information about what the defect is and when it occurred.



You can download these instructions along with many other manuals, product videos and installation software at www.lidl-service.com.

This QR code will take you directly to the Lidl service page (www.lidl-service.com) where you can open your operating instructions by entering the item number (IAN) 443996_2207.

Service

GB Service Great Britain

Tel.: 0800 404 7657

E-Mail: kompernass@lidl.co.uk

IE Service Ireland

Tel.: 1800 101010

E-Mail: kompernass@lidl.ie

IAN 443996_2207

Importer

Please note that the following address is not the service address. Please use the service address provided in the operating instructions.

KOMPERNASS HANDELS GMBH

BURGSTRASSE 21

44867 BOCHUM

GERMANY

www.kompernass.com

Translation of the original Conformity Declaration

We, KOMPERNASS HANDELS GMBH, document officer: Mr Semi Uguzlu, BURGSTR. 21, 44867 BOCHUM, GERMANY, hereby declare that this product complies with the following standards, normative documents and EC directives:

Machinery Directive (2006/42/EC)

EMC (Electromagnetic Compatibility) (2014/30/EU)

RoHS Directive (2011/65/EU)*

* The manufacturer bears the full responsibility for compliance with this conformity declaration. The object of the declaration described above complies with the requirements of the Directive 2011/65/EU of the European Parliament and Council of 8 June 2011 on the limitations of use of certain dangerous substances in electrical and electronic appliances.

Applied harmonised standards

EN 60745-1:2009/A11:2010

EN 60745-2-3:2011/A13:2015

EN IEC 55014-1:2021

EN IEC 55014-2:2021

EN IEC 63000:2018

Type designation of the machine: Cordless angle grinder PWSA 20-Li E4

Year of manufacture: 11-2022

Serial number: IAN 443996_2207

Bochum, 15/11/2022



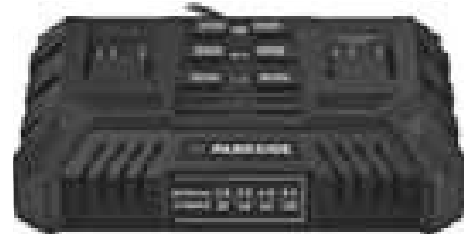
Semi Uguzlu

- Quality Manager -

We reserve the right to make technical changes in the context of further product development.

Ordering a replacement battery and charger

You can easily order a replacement battery or charger on the Internet at www.kompernass.com.



- ◆ Scan the QR code with your smartphone/tablet.
You can use this QR code to go directly to our website to view and order the available replacement parts.

NOTE

- ▶ If you have problems with your online order, you can contact our service centre by phone or email.
- ▶ Always quote the article number (IAN) 443996_2207 in your order.
- ▶ Please note that online ordering of replacement parts is not possible for all countries.

Inhaltsverzeichnis

Einleitung	20
Bestimmungsgemäßer Gebrauch	20
Ausstattung	20
Lieferumfang	21
Technische Daten	21
Allgemeine Sicherheitshinweise für Elektrowerkzeuge	22
1. Arbeitsplatz-Sicherheit	22
2. Elektrische Sicherheit	22
3. Sicherheit von Personen	22
4. Verwendung und Behandlung des Elektrowerkzeugs	23
5. Verwendung und Behandlung des Akkuwerkzeugs	23
6. Service	24
Sicherheitshinweise für alle Anwendungen	24
Rückschlag und entsprechende Sicherheitshinweise	25
Besondere Sicherheitshinweise zum Schleifen und Trennschleifen	26
Weitere besondere Sicherheitshinweise zum Trennschleifen	26
Sicherheitshinweise für Ladegeräte	27
Zulässiges Zubehör	28
Aufbewahrung und Handhabung der empfohlenen Einsatzwerkzeuge	28
Arbeitshinweise	28
Vor der Inbetriebnahme	29
Akku-Pack laden (siehe Abb. A)	29
Akku-Pack in das Gerät einsetzen/entnehmen	30
Akkuzustand prüfen	30
Schutzabdeckung zum Trennen montieren	30
Schutzhaube verstellen	30
Zusatz-Handgriff montieren	30
Schrupp- /Trennscheibe montieren/wechseln	31
Inbetriebnahme	32
Ein-/ausschalten	32
Drehzahl einstellen	32
Wartung und Reinigung	32
Entsorgung	33
Garantie der Kompernaß Handels GmbH	34
Service	35
Importeur	35
Original-Konformitätserklärung	36
Ersatz-Akku und Ladegerät Bestellung	37

AKKU-WINKELSCHLEIFER PWSA 20-Li E4

Einleitung

Wir beglückwünschen Sie zum Kauf Ihres neuen Gerätes. Sie haben sich damit für ein hochwertiges Produkt entschieden. Die Bedienungsanleitung ist Teil dieses Produkts. Sie enthält wichtige Hinweise für Sicherheit, Gebrauch und Entsorgung. Machen Sie sich vor der Benutzung des Produkts mit allen Bedien- und Sicherheitshinweisen vertraut. Benutzen Sie das Produkt nur wie beschrieben und für die angegebenen Einsatzbereiche. Händigen Sie alle Unterlagen bei Weitergabe des Produkts an Dritte mit aus.

Bestimmungsgemäßer Gebrauch

Das Gerät ist zum Trennen, Schruppen von Metall, Beton oder Fliesen ohne Verwendung von Wasser geeignet. Jede andere Verwendung oder Veränderung des Gerätes gilt als nicht bestimmungsgemäß und birgt erhebliche Unfallgefahren. Für aus bestimmungswidriger Verwendung entstandene Schäden übernehmen wir keine Haftung. Das Gerät ist nicht für den gewerblichen Einsatz bestimmt.

Erklärung der Symbole

	Lesen Sie die Original-Betriebsanleitung und die Sicherheitshinweise vor der Inbetriebnahme.
	Die Verwendung von beschädigten Trenn- oder Schruppscheiben ist gefährlich und kann zu schwerwiegenden Verletzungen führen!
	Durchmesser der Scheibe
	Akku-Winkelschleifer
	Schutzbrille tragen!
	Gehörschutz tragen!

	Sicherheitsschuhe tragen!
	Schutzhandschuhe tragen!
	Staubschutzmaske tragen!
	Nicht zulässig für Nassschleifen
	Nicht zulässig für Seitenschleifen
	Vorgesehen für Metallschleifen
	Verwenden Sie das Elektrowerkzeug immer mit beiden Händen

Ausstattung

- ❶ EIN-/AUS-Schalter
- ❷ Taste zur Entriegelung des Akku-Packs
- ❸ Akku-Pack*
- ❹ Taste Akkuzustand
- ❺ Akku-Display-LED
- ❻ Stellrad für die Drehzahlvorwahl
- ❼ Zusatz-Handgriff
- ❽ Schutzhaube
- ❽a Schutzabdeckung
- ❾ Spindel-Arretiertaste
- ❿ Gewinde (3 x) für Zusatz-Handgriff
- ⓫ Montagering
- ⓬ Schrauben
- ⓭ Schutzhaubenfixierung
- ⓮ Schnell-Ladegerät (siehe Abb. A)*
- ⓯ Rote Ladekontroll-LED (siehe Abb. A)
- ⓰ Grüne Ladekontroll-LED (siehe Abb. A)
- ⓱ Aufnahmespindel (siehe Abb. C)
- ⓲ Aufnahmeflansch (siehe Abb. C)
- ⓳ Spannmutter (siehe Abb. C)
- ⓴ Zweiloch-Montage-Schlüssel (siehe Abb. D)
- ⓴ Auswölbungen

Lieferumfang

- 1 Winkelschleifer
- 1 Zusatz-Handgriff
- 1 Schutzhaube (vormontiert)
- 1 Zweiloch-Montage-Schlüssel
- 1 Trennscheibe (vormontiert)
- 1 Betriebsanleitung

Technische Daten

Akku-Winkelschleifer PWSA 20-Li E4

Bemessungsspannung	20 V --- (Gleichstrom)
Bemessungsdrehzahl	n 2500–11000 min^{-1}
Scheibenmaß	\varnothing 125 mm
Gewindemaß	M14

Akku PAP 20 B3*

Typ	LITHIUM-IONEN
Bemessungsspannung	20 V --- (Gleichstrom)
Kapazität	4 Ah
Zellen	10

Akku-Schnellladegerät PLG 20 C3*

EINGANG/Input

Bemessungsspannung	230–240 V \sim 50 Hz (Wechselstrom)
Bemessungsaufnahme	120 W
Sicherung (innen)	3,15 A

AUSGANG/Output

Bemessungsspannung	21,5 V --- (Gleichstrom)
Bemessungsstrom	4,5 A
Ladedauer	ca. 60 min
Schutzklasse	II/ \square (Doppelisolierung)

* AKKU UND LADEGERÄT SIND NICHT IM LIEFERUMFANG ENTHALTEN

Geräusch- und Vibrationsinformationen

Messwert für Geräusch ermittelt entsprechend EN 60745. Der A-bewertete Geräuschpegel des Elektrowerkzeugs beträgt typischerweise:

Geräuschemissionswert

Schalldruckpegel	$L_{PA} = 83,6 \text{ dB (A)}$
Unsicherheit	$K = 3 \text{ dB}$
Schallleistungspegel	$L_{WA} = 94,6 \text{ dB (A)}$
Unsicherheit	$K = 3 \text{ dB}$

Gehörschutz tragen!

Schwingungsgesamtwert

Oberflächenschleifen	
Hauptgriff	$a_{h,AG} < 2,5 \text{ m/s}^2$
Unsicherheit	$K = 1,5 \text{ m/s}^2$
Oberflächenschleifen	
Zusatz-Handgriff	$a_{h,AG} < 2,5 \text{ m/s}^2$
Unsicherheit	$K = 1,5 \text{ m/s}^2$

HINWEIS

- Der in diesen Anweisungen angegebene Schwingungspegel ist entsprechend einem genormten Messverfahren gemessen worden und kann für den Gerätevergleich verwendet werden. Der angegebene Schwingungsemissionswert kann auch zu einer einleitenden Einschätzung der Aussetzung verwendet werden.

WARNUNG!

- Der Schwingungspegel wird sich entsprechend dem Einsatz des Elektrowerkzeugs verändern und kann in manchen Fällen über dem in diesen Anweisungen angegebenen Wert liegen. Die Schwingungsbelastung könnte unterschätzt werden, wenn das Elektrowerkzeug regelmäßig in solcher Weise verwendet wird. Versuchen Sie, die Belastung durch Vibrationen so gering wie möglich zu halten. Beispielhafte Maßnahmen zur Verringerung der Vibrationsbelastung sind das Tragen von Handschuhen beim Gebrauch des Werkzeugs und die Begrenzung der Arbeitszeit. Dabei sind alle Anteile des Betriebszyklus zu berücksichtigen (beispielsweise Zeiten, in denen das Elektrowerkzeug abgeschaltet ist, und solche, in denen es zwar eingeschaltet ist, aber ohne Belastung läuft).



Allgemeine Sicherheitshinweise für Elektrowerkzeuge

! WARNUNG!

- ▶ Lesen Sie alle Sicherheitshinweise und Anweisungen. Versäumnisse bei der Einhaltung der Sicherheitshinweise und Anweisungen können elektrischen Schlag, Brand und/oder schwere Verletzungen verursachen.

Bewahren Sie alle Sicherheitshinweise und Anweisungen für die Zukunft auf.

Der in den Sicherheitshinweisen verwendete Begriff „Elektrowerkzeug“ bezieht sich auf netzbetriebene Elektrowerkzeuge (mit Netzkabel) und auf akkubetriebene Elektrowerkzeuge (ohne Netzkabel).

1. Arbeitsplatz-Sicherheit

- a) Halten Sie Ihren Arbeitsbereich sauber und gut beleuchtet. Unordnung und unbeleuchtete Arbeitsbereiche können zu Unfällen führen.
- b) Arbeiten Sie mit dem Elektrowerkzeug nicht in explosionsgefährdeter Umgebung, in der sich brennbare Flüssigkeiten, Gase oder Stäube befinden. Elektrowerkzeuge erzeugen Funken, die den Staub oder die Dämpfe entzünden können.
- c) Halten Sie Kinder und andere Personen während der Benutzung des Elektrowerkzeugs fern. Bei Ablenkung können Sie die Kontrolle über das Gerät verlieren.

2. Elektrische Sicherheit

- a) Der Anschlussstecker des Elektrowerkzeuges muss in die Steckdose passen. Der Stecker darf in keiner Weise verändert werden. Verwenden Sie keine Adapterstecker gemeinsam mit schutzgeerdeten Elektrowerkzeugen. Unveränderte Stecker und passende Steckdosen verringern das Risiko eines elektrischen Schlages.

- b) Vermeiden Sie Körperkontakt mit geerdeten Oberflächen, wie von Rohren, Heizungen, Herden und Kühlschränken. Es besteht ein erhöhtes Risiko durch elektrischen Schlag, wenn Ihr Körper geerdet ist.
- c) Halten Sie Elektrowerkzeuge von Regen oder Nässe fern. Das Eindringen von Wasser in ein Elektrogerät erhöht das Risiko eines elektrischen Schlages.
- d) Zweckentfremden Sie das Kabel nicht, um das Elektrowerkzeug zu tragen, aufzuhängen oder um den Stecker aus der Steckdose zu ziehen. Halten Sie das Kabel fern von Hitze, Öl, scharfen Kanten oder sich bewegenden Geräteteilen. Beschädigte oder verwickelte Kabel erhöhen das Risiko eines elektrischen Schlages.
- e) Wenn Sie mit einem Elektrowerkzeug im Freien arbeiten, verwenden Sie nur Verlängerungskabel, die auch für den Außenbereich geeignet sind. Die Anwendung eines für den Außenbereich geeigneten Verlängerungskabels verringert das Risiko eines elektrischen Schlages.
- f) Wenn der Betrieb des Elektrowerkzeuges in feuchter Umgebung nicht vermeidbar ist, verwenden Sie einen Fehlerstromschutzschalter. Der Einsatz eines Fehlerstromschutzschalters vermindert das Risiko eines elektrischen Schlages.

3. Sicherheit von Personen

- a) Seien Sie stets aufmerksam, achten Sie darauf, was Sie tun und gehen Sie mit Vernunft an die Arbeit mit einem Elektrowerkzeug. Benutzen Sie kein Elektrowerkzeug, wenn Sie müde sind oder unter dem Einfluss von Drogen, Alkohol oder Medikamenten stehen. Ein Moment der Unachtsamkeit beim Gebrauch des Elektrowerkzeuges kann zu ernsthaften Verletzungen führen.
- b) Tragen Sie persönliche Schutzausrüstung und immer eine Schutzbrille. Das Tragen persönlicher Schutzausrüstung wie Staubmaske, rutschfeste Sicherheitsschuhe, Schutzhelm oder Gehörschutz, je nach Art und Einsatz des Elektrowerkzeuges, verringert das Risiko von Verletzungen.

- c) **Vermeiden Sie eine unbeabsichtigte Inbetriebnahme.** Vergewissern Sie sich, dass das Elektrowerkzeug ausgeschaltet ist, bevor Sie es an die Stromversorgung und/oder den Akku anschließen, es aufnehmen oder tragen. Wenn Sie beim Tragen des Elektrowerkzeuges den Finger am Schalter haben oder das Gerät bereits eingeschaltet an die Stromversorgung anschließen, kann dies zu Unfällen führen.
- d) **Entfernen Sie Einstellwerkzeuge oder Schraubenschlüssel, bevor Sie das Elektrowerkzeug einschalten.** Ein Werkzeug oder Schlüssel, der sich in einem drehenden Geräteteil befindet, kann zu Verletzungen führen.
- e) **Vermeiden Sie eine abnormale Körperhaltung.** Sorgen Sie für einen sicheren Stand und halten Sie jederzeit das Gleichgewicht. Dadurch können Sie das Elektrowerkzeug in unerwarteten Situationen besser kontrollieren.
- f) **Tragen Sie geeignete Kleidung.** Tragen Sie keine weite Kleidung oder Schmuck. Halten Sie Haare, Kleidung und Handschuhe fern von sich bewegenden Teilen. Lockere Kleidung, Schmuck oder lange Haare können von sich bewegenden Teilen erfasst werden.
- g) **Wenn Staubabsaug- und -auffangeinrichtungen montiert werden können, vergewissern Sie sich, dass diese angeschlossen sind und richtig verwendet werden.** Die Verwendung einer Staubabsaugung kann Gefährdungen durch Staub verringern.
- c) **Ziehen Sie den Stecker aus der Steckdose und/oder entfernen Sie den Akku, bevor Sie Geräteeinstellungen vornehmen, Zubehörteile wechseln oder das Gerät weglegen.** Diese Vorsichtsmaßnahme verhindert den unbeabsichtigten Start des Elektrowerkzeuges.
- d) **Bewahren Sie unbenutzte Elektrowerkzeuge außerhalb der Reichweite von Kindern auf.** Lassen Sie Personen das Gerät nicht benutzen, die mit diesem nicht vertraut sind oder diese Anweisungen nicht gelesen haben. Elektrowerkzeuge sind gefährlich, wenn sie von unerfahrenen Personen benutzt werden.
- e) **Pflegen Sie Elektrowerkzeuge mit Sorgfalt.** Kontrollieren Sie, ob bewegliche Teile einwandfrei funktionieren und nicht klemmen, ob Teile gebrochen oder so beschädigt sind, dass die Funktion des Elektrowerkzeuges beeinträchtigt ist. Lassen Sie beschädigte Teile vor dem Einsatz des Gerätes reparieren. Viele Unfälle haben ihre Ursache in schlecht gewarteten Elektrowerkzeugen.
- f) **Halten Sie Schneidwerkzeuge scharf und sauber.** Sorgfältig gepflegte Schneidwerkzeuge mit scharfen Schneidkanten verklemmen sich weniger und sind leichter zu führen.
- g) **Verwenden Sie Elektrowerkzeug, Zubehör, Einsatzwerkzeuge usw. entsprechend diesen Anweisungen.** Berücksichtigen Sie dabei die Arbeitsbedingungen und die auszuführende Tätigkeit. Der Gebrauch von Elektrowerkzeugen für andere als die vorgesehenen Anwendungen kann zu gefährlichen Situationen führen.

4. Verwendung und Behandlung des Elektrowerkzeugs

- a) **Überlasten Sie das Gerät nicht.** Verwenden Sie für Ihre Arbeit das dafür bestimmte Elektrowerkzeug. Mit dem passenden Elektrowerkzeug arbeiten Sie besser und sicherer im angegebenen Leistungsbereich.
- b) **Benutzen Sie kein Elektrowerkzeug, dessen Schalter defekt ist.** Ein Elektrowerkzeug, das sich nicht mehr ein- oder ausschalten lässt, ist gefährlich und muss repariert werden.

5. Verwendung und Behandlung des Akkuwerkzeugs

- a) **Laden Sie die Akkus nur in Ladegeräten auf, die vom Hersteller empfohlen werden.** Für ein Ladegerät, das für eine bestimmte Art von Akkus geeignet ist, besteht Brandgefahr, wenn es mit anderen Akkus verwendet wird.
- b) **Verwenden Sie nur die dafür vorgesehenen Akkus in den Elektrowerkzeugen.** Der Gebrauch von anderen Akkus kann zu Verletzungen und Brandgefahr führen.

- c) Halten Sie den nicht benutzten Akku fern von Büroklammern, Münzen, Schlüsseln, Nägeln, Schrauben oder anderen kleinen Metallgegenständen, die eine Überbrückung der Kontakte verursachen könnten. Ein Kurzschluss zwischen den Akkukontakten kann Verbrennungen oder Feuer zur Folge haben.
- d) Bei falscher Anwendung kann Flüssigkeit aus dem Akku austreten. Vermeiden Sie den Kontakt damit. Bei zufälligem Kontakt mit Wasser abspülen. Wenn die Flüssigkeit in die Augen kommt, nehmen Sie zusätzlich ärztliche Hilfe in Anspruch. Austretende Akkuflüssigkeit kann zu Hautreizungen oder Verbrennungen führen.



VORSICHT! EXPLOSIONSGEFAHR!
Laden Sie nicht aufladbare Batterien niemals auf.



Schützen Sie den Akku vor Hitze, z. B. auch vor dauernder Sonneneinstrahlung, Feuer, Wasser und Feuchtigkeit. Es Besteht Explosionsgefahr.

6. Service

- a) Lassen Sie Ihr Elektrowerkzeug nur von qualifiziertem Fachpersonal und nur mit Original-Ersatzteilen reparieren. Damit wird sichergestellt, dass die Sicherheit des Elektrowerkzeugs erhalten bleibt.
- b) Warten Sie niemals beschädigte Akkus. Sämtliche Wartung von Akkus sollte nur durch den Hersteller oder bevollmächtigte Kundendienststellen erfolgen.

Sicherheitshinweise für alle Anwendungen

Gemeinsame Sicherheitshinweise zum Schleifen und Trennschleifen

- a) Dieses Elektrowerkzeug ist zu verwenden als Schleifer und Trennschleifmaschine. Beachten Sie alle Sicherheitshinweise, Anweisungen, Darstellungen und Daten, die Sie mit dem Gerät erhalten. Wenn Sie die folgenden Anweisungen nicht beachten, kann es zu elektrischem Schlag, Feuer und/oder schweren Verletzungen kommen.

- b) Dieses Elektrowerkzeug ist nicht geeignet zum Sandpapierschleifen, Arbeiten mit Drahtbürsten und Polieren. Verwendungen, für die das Elektrowerkzeug nicht vorgesehen ist, können Gefährdungen und Verletzungen verursachen.
- c) Verwenden Sie kein Zubehör, das vom Hersteller nicht speziell für dieses Elektrowerkzeug vorgesehen und empfohlen wurde. Nur weil Sie das Zubehör an Ihrem Elektrowerkzeug befestigen können, garantiert das keine sichere Verwendung.
- d) Die zulässige Drehzahl des Einsatzwerkzeugs muss mindestens so hoch sein wie die auf dem Elektrowerkzeug angegebene Höchstdrehzahl. Zubehör, das sich schneller als zulässig dreht, kann zerbrechen und umherfliegen.
- e) Außendurchmesser und Dicke des Einsatzwerkzeugs müssen den Maßangaben Ihres Elektrowerkzeugs entsprechen. Falsch bemessene Einsatzwerkzeuge können nicht ausreichend abgeschirmt oder kontrolliert werden.
- f) Einsatzwerkzeuge mit Gewindeeinsatz müssen genau auf das Gewinde der Schleifspindel passen. Bei Einsatzwerkzeugen, die mittels Flansch montiert werden, muss der Lochdurchmesser des Einsatzwerkzeuges zum Aufnahmedurchmesser des Flansches passen. Einsatzwerkzeuge, die nicht genau am Elektrowerkzeug befestigt werden, drehen sich ungleichmäßig, vibrieren sehr stark und können zum Verlust der Kontrolle führen.
- g) Verwenden Sie keine beschädigten Einsatzwerkzeuge. Kontrollieren Sie vor jeder Verwendung Einsatzwerkzeuge wie Schleifscheiben auf Absplitterungen und Risse, Schleifteller auf Risse, Verschleiß oder starke Abnutzung, Drahtbürsten auf lose oder gebrochene Drähte. Wenn das Elektrowerkzeug oder das Einsatzwerkzeug herunterfällt, überprüfen Sie, ob es beschädigt ist, oder verwenden Sie ein unbeschädigtes Einsatzwerkzeug. Wenn Sie das Einsatzwerkzeug kontrolliert und eingesetzt haben, halten Sie und in der Nähe befindliche Personen sich außerhalb der Ebene des rotierenden Einsatzwerkzeuges auf und lassen Sie das Gerät eine Minute lang mit Höchstdrehzahl laufen. Beschädigte Einsatzwerkzeuge brechen meist in der Testzeit.

- h) **Tragen Sie persönliche Schutzausrüstung.** Verwenden Sie je nach Anwendung Vollgesichtsschutz, Augenschutz oder Schutzbrille. Soweit angemessen, tragen Sie Staubmaske, Gehörschutz, Schutzhandschuhe oder Spezialschürze, die kleine Schleif- und Materialartikel von Ihnen fernhalten. Die Augen sollen vor herumfliegenden Fremdkörpern geschützt werden, die bei verschiedenen Anwendungen entstehen. Staub- oder Atemschutzmaske müssen den bei der Anwendung entstehenden Staub filtern. Wenn Sie lange lautem Lärm ausgesetzt sind, können Sie einen Hörverlust erleiden.
- i) **Achten Sie bei anderen Personen auf sicheren Abstand zu Ihrem Arbeitsbereich.** Jeder, der den Arbeitsbereich betritt, muss persönliche Schutzausrüstung tragen. Bruchstücke des Werkstücks oder gebrochene Einsatzwerkzeuge können wegfliegen und Verletzungen auch außerhalb des direkten Arbeitsbereichs verursachen.
- j) **Halten Sie das Elektrowerkzeug nur an den isolierten Griffflächen, wenn Sie Arbeiten ausführen, bei denen das Einsatzwerkzeug verborgene Stromleitungen treffen kann.** Der Kontakt mit einer spannungsführenden Leitung kann auch metallene Geräteteile unter Spannung setzen und zu einem elektrischen Schlag führen.
- k) **Halten Sie das Netzkabel von sich drehenden Einsatzwerkzeugen fern.** Wenn Sie die Kontrolle über das Gerät verlieren, kann das Netzkabel durchtrennt oder erfasst werden und Ihre Hand oder Arm in das sich drehende Einsatzwerkzeug geraten.
- l) **Legen Sie das Elektrowerkzeug niemals ab, bevor das Einsatzwerkzeug völlig zum Stillstand gekommen ist.** Das sich drehende Einsatzwerkzeug kann in Kontakt mit der Ablagefläche geraten, wodurch Sie die Kontrolle über das Elektrowerkzeug verlieren können.
- m) **Lassen Sie das Elektrowerkzeug nicht laufen, während Sie es tragen.** Ihre Kleidung kann durch zufälligen Kontakt mit dem sich drehenden Einsatzwerkzeug erfasst werden und das Einsatzwerkzeug sich in Ihren Körper bohren.
- n) **Reinigen Sie regelmäßig die Lüftungsschlitze Ihres Elektrowerkzeugs.** Das Motorgebläse zieht Staub in das Gehäuse, und eine starke Ansammlung von Metallstaub kann elektrische Gefahren verursachen.
- o) **Verwenden Sie das Elektrowerkzeug nicht in der Nähe brennbarer Materialien.** Funken können diese Materialien entzünden.
- p) **Verwenden Sie keine Einsatzwerkzeuge, die flüssige Kühlmittel erfordern.** Die Verwendung von Wasser oder anderen flüssigen Kühlmitteln kann zu einem elektrischen Schlag führen.

Rückschlag und entsprechende Sicherheitshinweise

Rückschlag ist die plötzliche Reaktion infolge eines hakenden oder blockierten drehenden Einsatzwerkzeuges, wie Schleifscheibe, Schleifteller usw. Verhaken oder Blockieren führt zu einem abrupten Stopp des rotierenden Einsatzwerkzeugs. Dadurch wird ein unkontrolliertes Elektrowerkzeug gegen die Drehrichtung des Einsatzwerkzeugs an der Blockierstelle beschleunigt.

Wenn z.B. eine Schleifscheibe im Werkstück hakt oder blockiert, kann sich die Kante der Schleifscheibe, die in das Werkstück eintaucht, verfangen und dadurch die Schleifscheibe ausbrechen oder einen Rückschlag verursachen. Die Schleifscheibe bewegt sich dann auf die Bedienperson zu oder von ihr weg, je nach Drehrichtung der Scheibe an der Blockierstelle. Hierbei können Schleifscheiben auch brechen.

Ein Rückschlag ist die Folge eines falschen oder fehlerhaften Gebrauchs des Elektrowerkzeugs. Er kann durch geeignete Vorsichtsmaßnahmen, wie nachfolgend beschrieben, verhindert werden.

- a) **Halten Sie das Elektrowerkzeug gut fest und bringen Sie Ihren Körper und Ihre Arme in eine Position, in der Sie die Rückschlagkräfte abfangen können.** Verwenden Sie immer den Zusatzgriff, falls vorhanden, um die größtmögliche Kontrolle über Rückschlagkräfte oder Reaktionsmomente beim Hochlauf zu haben. Die Bedienperson kann durch geeignete Vorsichtsmaßnahmen die Rückschlag- und Reaktionskräfte beherrschen.

- b) **Bringen Sie Ihre Hand nie in die Nähe sich drehender Einsatzwerkzeuge.** Das Einsatzwerkzeug kann sich beim Rückschlag über Ihre Hand bewegen.
- c) **Meiden Sie mit Ihrem Körper den Bereich, in den das Elektrowerkzeug bei einem Rückschlag bewegt wird.** Der Rückschlag treibt das Elektrowerkzeug in die Richtung entgegengesetzt zur Bewegung der Schleifscheibe an der Blockierstelle.
- d) **Arbeiten Sie besonders vorsichtig im Bereich von Ecken, scharfen Kanten usw. Verhindern Sie, dass Einsatzwerkzeuge vom Werkstück zurückprallen und verklemmen.** Das rotierende Einsatzwerkzeug neigt bei Ecken, scharfen Kanten oder wenn es abprallt dazu, sich zu verklemmen. Dies verursacht einen Kontrollverlust oder Rückschlag.
- e) **Verwenden Sie kein Ketten- oder gezähntes Sägeblatt.** Solche Einsatzwerkzeuge verursachen häufig einen Rückschlag oder den Verlust der Kontrolle über das Elektrowerkzeug.
- d) **Schleifkörper dürfen nur für die empfohlenen Einsatzmöglichkeiten verwendet werden.** Zum Beispiel: **Schleifen Sie nie mit der Seitenfläche einer Trennscheibe.** Trennscheiben sind zum Materialabtrag mit der Kante der Scheibe bestimmt. Seitliche Krafteinwirkung auf diese Schleifkörper kann sie zerbrechen.
- e) **Verwenden Sie immer unbeschädigte Spannfansche in der richtigen Größe und Form für die von Ihnen gewählte Schleifscheibe.** Geeignete Fansche stützen die Schleifscheibe und verringern so die Gefahr eines Schleifscheibenbruchs. Fansche für Trennscheiben können sich von den Fanschen für andere Schleifscheiben unterscheiden.
- f) **Verwenden Sie keine abgenutzten Schleifscheiben von größeren Elektrowerkzeugen.** Schleifscheiben für größere Elektrowerkzeuge sind nicht für die höheren Drehzahlen von kleineren Elektrowerkzeugen ausgelegt und können brechen.

Besondere Sicherheitshinweise zum Schleifen und Trennschleifen

- a) **Verwenden Sie ausschließlich die für Ihr Elektrowerkzeug zugelassenen Schleifkörper und die für diese Schleifkörper vorgesehene Schutzhaube.** Schleifkörper, die nicht für das Elektrowerkzeug vorgesehen sind, können nicht ausreichend abgeschirmt werden und sind unsicher.
- b) **Gekröpfte Schleifscheiben müssen so montiert werden, dass ihre Schleiffläche nicht über der Ebene des Schutzhaubenrandes hervorsteht.** Eine unsachgemäß montierte Schleifscheibe, die über die Ebene des Schutzhaubenrandes hinausragt, kann nicht ausreichend abgeschirmt werden.
- c) **Die Schutzhaube muss sicher am Elektrowerkzeug angebracht und für ein Höchstmaß an Sicherheit so eingestellt sein, dass der kleinstmögliche Teil des Schleifkörpers offen zum Bediener zeigt.** Die Schutzhaube hilft, die Bedienperson vor Bruchstücken, zufälligem Kontakt mit dem Schleifkörper sowie Funken, die Kleidung entzünden könnten, zu schützen.
- a) **Vermeiden Sie ein Blockieren der Trennscheibe oder zu hohen Anpressdruck. Führen Sie keine übermäßig tiefen Schnitte aus.** Eine Überlastung der Trennscheibe erhöht deren Beanspruchung und die Anfälligkeit zum Verankerten oder Blockieren und damit die Möglichkeit eines Rückschlags oder Schleifkörperbruchs.
- b) **Meiden Sie den Bereich vor und hinter der rotierenden Trennscheibe.** Wenn Sie die Trennscheibe im Werkstück von sich wegbewegen, kann im Falle eines Rückschlags das Elektrowerkzeug mit der sich drehenden Scheibe direkt auf Sie zugeschleudert werden.
- c) **Falls die Trennscheibe verklemmt oder Sie die Arbeit unterbrechen, schalten Sie das Gerät aus und halten Sie es ruhig, bis die Scheibe zum Stillstand gekommen ist.** Versuchen Sie nie, die noch laufende Trennscheibe aus dem Schnitt zu ziehen, sonst kann ein Rückschlag erfolgen. Ermitteln und beheben Sie die Ursache für das Verklemmen.

Weitere besondere Sicherheitshinweise zum Trennschleifen

- d) Schalten Sie das Elektrowerkzeug nicht wieder ein, solange es sich im Werkstück befindet. Lassen Sie die Trennscheibe erst ihre volle Drehzahl erreichen, bevor Sie den Schnitt vorsichtig fortsetzen. Andernfalls kann die Scheibe verhaken, aus dem Werkstück springen oder einen Rückschlag verursachen.
- e) Stützen Sie Platten oder große Werkstücke ab, um das Risiko eines Rückschlags durch eine eingeklemmte Trennscheibe zu vermindern. Große Werkstücke können sich unter ihrem eigenen Gewicht durchbiegen. Das Werkstück muss auf beiden Seiten der Scheibe abgestützt werden, und zwar sowohl in der Nähe der Trennscheibe als auch an der Kante.
- f) Seien Sie besonders vorsichtig bei „Tauchschnitten“ in bestehende Wände oder andere nicht einsehbare Bereiche. Die eintauchende Trennscheibe kann beim Schneiden in Gas- oder Wasserleitungen, elektrische Leitungen oder andere Objekte einen Rückschlag verursachen.

Sicherheitshinweise für Ladegeräte

- Dieses Gerät kann von Kindern ab 8 Jahren und darüber sowie von Personen mit verringerten physischen, sensorischen oder mentalen Fähigkeiten oder Mangel an Erfahrung und Wissen benutzt werden, wenn sie beaufsichtigt oder bezüglich des sicheren Gebrauchs des Gerätes unterwiesen wurden und die daraus resultierenden Gefahren verstehen. Kinder dürfen nicht mit dem Gerät spielen. Reinigung und Benutzer-Wartung dürfen nicht von Kindern ohne Beaufsichtigung durchgeführt werden.

- Wenn die Netzanschlussleitung dieses Gerätes beschädigt wird, muss sie durch den Hersteller oder seinen Kundendienst oder eine ähnlich qualifizierte Person ersetzt werden, um Gefährdungen zu vermeiden.



Das Ladegerät ist nur für den Betrieb im Innenbereich geeignet.

WARNUNG!

- Wenn die Netzanschlussleitung dieses Gerätes beschädigt wird, muss sie durch den Hersteller oder seinen Kundendienst oder eine ähnlich qualifizierte Person ersetzt werden, um Gefährdungen zu vermeiden.

ACHTUNG!

- ◆ Dieses Ladegerät kann nur die folgenden Batterien laden: PAP 20 A1/PAP 20 A2/PAP 20 A3/PAP 20 B1/PAP 20 B3/PAPS 204 A1/PAPS 208 A1.
- ◆ Eine aktuelle Liste der Akkukompatibilität finden Sie unter www.Lidl.de/Akku.

Zulässiges Zubehör

	Max. Durchmesser Ø (mm)	Max. Dicke (mm)	Gewindemaß (mm)	Drehzahl (min ⁻¹)	Umfangsgeschwindigkeit (m/s)	Werkzeug	Schutzhaube
Trennscheiben	125	3	M14	≥11000	≥72	Zweiloch-Montage-Schlüssel 20	Mit 8a
Schruppscheiben	125	6	M14	≥11000	≥72	Zweiloch-Montage-Schlüssel 20	Ohne 8a

Aufbewahrung und Handhabung der empfohlenen Einsatzwerkzeuge

- Schleifwerkzeuge sind mit Vorsicht zu behandeln und zu transportieren.
- Schleifwerkzeuge sind so zu lagern, dass sie keinen mechanischen Beschädigungen oder Umwelteinflüssen (z. B. Feuchtigkeit) ausgesetzt sind.

Arbeitshinweise

HINWEIS

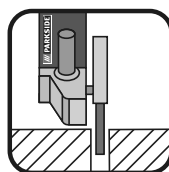
- ▶ Schleifkörper dürfen nur für die empfohlenen Einsatzmöglichkeiten verwendet werden. Andernfalls könnten sie zerbrechen, beschädigt werden und Verletzungen verursachen.



Schruppschleifen

Verwenden Sie niemals Trennscheiben zum Schrumpfen!

- Bewegen Sie den Winkelschleifer mit mäßigem Druck über das Werkstück hin und her.
- Führen Sie bei weichem Material die Schruppscheibe in einem flachen Winkel über das Werkstück, bei hartem Material in einem etwas steileren Winkel.



Trennschleifen

Verwenden Sie niemals Schruppscheiben zum Trennen!

- Verwenden Sie nur geprüfte faserstoffverstärkte Trenn- oder Schleifscheiben, die für eine Umfangsgeschwindigkeit von nicht weniger als 80 m/s zugelassen sind.

⚠ VORSICHT!

- ▶ Das Schleifwerkzeug läuft nach dem Ausschalten nach. Bremsen Sie es nicht durch seitliches Gegendrücken ab.
- **Sichern Sie das Werkstück.** Benutzen Sie Spannvorrichtungen/Schraubstock, um das Werkstück festzuhalten. Es ist damit sicherer gehalten, als mit Ihrer Hand.
- **Schalten Sie das Gerät vor dem Ablegen immer aus und warten Sie, bis das Gerät zum Stillstand gekommen ist.**
- Verwenden Sie das Gerät nur für Trockenschnitt bzw. Trockenschliff.
- Der Zusatz-Handgriff **7** muss bei allen Arbeiten mit dem Gerät montiert sein.
- Asbesthaltiges Material darf nicht bearbeitet werden. Asbest gilt als krebserregend.



Tipp! So verhalten Sie sich richtig.

⚠️ GEFAHR! FÜHREN SIE DAS GERÄT IMMER IM GEGENLAUF DURCH DAS WERKSTÜCK.

- ▶ Bei entgegengesetzter Richtung besteht die Gefahr eines Rückschlags. Das Gerät kann aus dem Schnitt gedrückt werden.
- Führen Sie das Gerät immer eingeschaltet gegen das Werkstück. Heben Sie das Gerät nach der Bearbeitung vom Werkstück ab und schalten Sie es erst dann aus.
- Halten Sie das Gerät während der Arbeit immer fest mit beiden Händen. Sorgen Sie für einen sicheren Stand.
- Für die beste Schleifwirkung bewegen Sie das Gerät gleichmäßig in einem Winkel von 15° bis 30° (zwischen Schleifscheibe und Werkstück) auf dem Werkstück hin und her.
- Beim Bearbeiten von schrägen Flächen darf das Gerät nicht mit großer Kraft auf das Werkstück gedrückt werden. Wenn die Drehzahl stark abfällt, müssen Sie die Andruckkraft reduzieren, um sicheres und effektives Arbeiten zu ermöglichen. Sollte das Gerät plötzlich vollkommen gebremst oder blockiert sein, muss das Gerät sofort ausgeschaltet werden.
- Trennen: Arbeiten Sie mit mäßigem Vorschub und verkanten Sie die Trennscheibe nicht.
- Schrubb- und Trennscheiben werden beim Arbeiten sehr heiß – lassen Sie sie vor dem Berühren vollständig abkühlen.
- Verwenden Sie das Gerät niemals zweckentfremdet.
- Achten Sie immer darauf, dass das Gerät ausgeschaltet ist, bevor Sie den Akku in das Gerät stecken.
- Schalten Sie bei Gefahr sofort das Gerät aus und entfernen Sie den Akku. Sorgen Sie dafür, dass das Gerät leicht zugänglich und im Notfall problemlos erreichbar ist.

- Entfernen Sie bei Arbeitspausen, vor allen Arbeiten am Gerät und bei Nichtgebrauch immer den Akku. Das Gerät muss stets sauber, trocken und frei von Öl oder Schmierfetten sein.
- Seien Sie stets aufmerksam! Achten Sie immer darauf, was Sie tun, und gehen Sie stets mit Vernunft vor. Benutzen Sie das Gerät in keinem Fall, wenn Sie unkonzentriert sind oder sich unwohl fühlen.



⚠️ WARNUNG! Tragen Sie immer eine Schutzbrille.



⚠️ WARNUNG! Tragen Sie immer eine Staubschutzmaske.

Vor der Inbetriebnahme

Akku-Pack laden (siehe Abb. A)

⚠️ VORSICHT!

- ▶ Ziehen Sie immer den Netzstecker, bevor Sie den Akku-Pack ③ aus dem Ladegerät nehmen bzw. einsetzen.

HINWEIS

- ▶ Laden Sie den Akku-Pack nie, wenn die Umgebungstemperatur unterhalb 10 °C oder oberhalb 40 °C liegt. Soll ein Lithium-Ionen-Akku längere Zeit gelagert werden, muss regelmäßig der Ladezustand kontrolliert werden. Der optimale Ladezustand liegt zwischen 50 % und 80 %. Das Lagerungsklima soll kühl und trocken sein in einer Umgebungstemperatur zwischen 0 °C und 50 °C.
- ◆ Stecken Sie den Akku-Pack ③ in das Schnell-Ladegerät ⑭ (siehe Abb. A).
- ◆ Stecken Sie den Netzstecker in die Steckdose. Die Kontroll-LED ⑮ leuchtet rot.
- ◆ Die grüne Kontroll-LED ⑮ signalisiert Ihnen, dass der Ladevorgang abgeschlossen und der Akku-Pack ③ einsatzbereit ist.

⚠ ACHTUNG!

- ◆ Sollte die rote Kontroll-LED **15** blinken, dann ist der Akku-Pack **3** überhitzt und kann nicht aufgeladen werden.
- ◆ Sollte die rote und grüne Kontroll-LED **15** **16** gemeinsam blinken, dann ist der Akku-Pack **3** defekt.
- ◆ Schalten Sie das Ladegerät zwischen aufeinanderfolgenden Ladevorgängen für mindestens 15 Minuten ab. Ziehen Sie dazu den Netzstecker.

Akku-Pack in das Gerät einsetzen/entnehmen

Akku-Pack einsetzen

- ◆ Lassen Sie den Akku-Pack **3** in den Griff einrasten.

Akku-Pack entnehmen

- ◆ Drücken Sie die Taste zur Entriegelung **2** und entnehmen Sie den Akku-Pack **3**.

Akkuzustand prüfen

- ◆ Drücken Sie zum Prüfen des Akkuzustands die Taste Akkuzustand **4** (siehe auch Hauptabbildung).
Der Zustand bzw. die Restleistung wird in der Akku-Display-LED **5** wie folgt angezeigt:
ROT/ORANGE/GRÜN = maximale Ladung
ROT/ORANGE = mittlere Ladung
ROT = schwache Ladung – Akku aufladen

Schutzabdeckung zum Trennen montieren

Verwenden Sie beim Trennen mit gebundenen Schleifmitteln immer die Schutzabdeckung **8a** zum Trennen.

- ◆ Schieben Sie die Schutzabdeckung **8a** auf die Schutzhaube **8** (siehe Abb. F), bis diese am Ende mit dem Plastikbügel „X“ einrastet.
- ◆ Beim demontieren der Schutzabdeckung **8a** müssen Sie den Plastikbügel „X“ leicht nach vorne ziehen, um die Schutzabdeckung **8a** zu lösen.

Schutzhaube verstellen

⚠ WARNUNG! VERLETZUNGSGEFAHR!

- ▶ Schalten Sie vor allen Arbeiten am Gerät das Gerät aus und entnehmen Sie den Akku.

⚠ VERLETZUNGSGEFAHR!

- ▶ Verwenden Sie den Winkelschleifer immer mit der Schutzhaube **8**. Die Schutzhaube muss sicher am Winkelschleifer angebracht werden. Stellen Sie diese so ein, dass ein Höchstmaß an Sicherheit erreicht wird, d.h. der kleinstmögliche Teil des Schleifkörpers zeigt offen zur Bedienperson. Die Schutzhaube **8** soll die Bedienperson vor Bruchstücken und zufälligem Kontakt mit dem Schleifkörper schützen.
- ▶ Achten Sie darauf, dass die Schutzhaube **8** mindestens im gleichen Winkel wie der Zusatz-Handgriff **7** montiert wird (siehe Abb. B). Andernfalls können Sie sich an der Schrupp- bzw. Trennscheibe verletzen.

- ◆ Drehen Sie die Schutzhaube **8** in die erforderliche Stellung (Arbeitsposition). Achten Sie dabei darauf, dass die Schutzhaube **8** so platziert wird, dass die Schutzhaubenfixierung **13** über einer der 5 Auswölbungen **21** der Schutzhaube **8** liegt (s. Abb. E Ausklappseite).
- ◆ Achten Sie darauf, dass die Schutzhaubenfixierung **13** fest in der jeweiligen Auswölbung **21** sitzt.

Zusatz-Handgriff montieren

⚠ VORSICHT!

- ▶ Aus Sicherheitsgründen darf dieses Gerät nur mit dem Zusatz-Handgriff **7** verwendet werden. Andernfalls können Verletzungen die Folge sein. Der Zusatz-Handgriff **7** kann je nach Arbeitsweise links, rechts oder oben am Gerätekopf eingeschraubt werden.

Schrupp- /Trennscheibe montieren/wechseln

Tragen Sie beim Wechseln von Trenn-/Schruppscheiben immer Schutzhandschuhe.

Die Abmessungen der Schrupp- oder Trennscheiben beachten. Der Lochdurchmesser muss ohne Spiel zum Aufnahmeflansch **18** passen. Keine Reduzierstücke oder Adapter verwenden.

HINWEIS

- ▶ Verwenden Sie unbedingt nur schmutzfreie Scheiben.
- Verwenden Sie nur Schleifwerkzeuge, deren zulässige Drehzahl mindestens so hoch ist wie die Leerlaufdrehzahl des Gerätes.
- **VERLETZUNGSGEFAHR!** Betätigen Sie die Spindel-Arretiertaste **9** nur bei stillstehender Aufnahmespindel **17**.
- ◆ Drücken Sie die Spindel-Arretiertaste **9** zum Blockieren des Getriebes.
- ◆ Lösen Sie die Spannmutter **19** mit Hilfe des Zweiloch-Montage-Schlüssels **20** (siehe Abb. D).
- ◆ Setzen Sie die Schrupp- oder Trennscheibe, mit der beschrifteten Seite zum Gerät, auf den Aufnahmeflansch **18**.
- ◆ Setzen Sie anschließend die Spannmutter **19**, mit der erhobenen Seite nach oben, wieder auf die Aufnahmespindel **17**.

Bei dünnen Schleifscheiben (siehe Abbildung 1)

- ◆ Der Bund der Spannmutter **19** zeigt nach oben, damit eine dünne Schleifscheibe sicher gespannt werden kann.

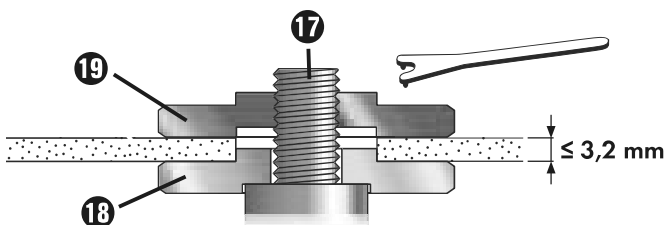


Abb. 1

- ◆ Drücken Sie die Spindel-Arretiertaste **9** zum Blockieren des Getriebes.

- ◆ Ziehen Sie die Spannmutter **19** mit dem Zweiloch-Montage-Schlüssel **20** wieder fest.

Bei dicken Schleifscheiben (siehe Abbildung 2)

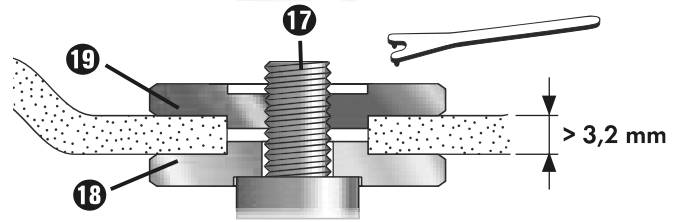


Abb. 2

Der Bund der Spannmutter **19** zeigt nach unten, damit die Schleifscheibe sicher auf der Aufnahmespindel **17** angebracht werden kann.

- ◆ Aufnahmespindel **17** arretieren.
- ◆ Die Spannmutter **19** mit dem Zweiloch-Montage-Schlüssel **20** im Uhrzeigersinn festziehen.

HINWEIS

- ▶ Wenn die Scheibe nach dem Wechsel unruhig läuft oder schwingt, muss diese Scheibe sofort wieder ausgewechselt werden.
- ◆ Lassen Sie das Gerät nach einem Scheibenwechsel sicherheitshalber 60 Sekunden auf Höchstdrehzahl laufen. Achten Sie auf ungewöhnliche Geräusche und Funkenentwicklung.
- ◆ Überprüfen Sie, ob alle Befestigungsteile korrekt angebracht sind.
- ◆ Achten Sie darauf, dass der Drehrichtungspfeil (falls vorhanden) auf den Trenn-, oder Schruppscheiben (auch Diamant-Trennscheiben) und die Drehrichtung des Gerätes (Drehrichtungspfeil auf dem Gerätekopf) übereinstimmen.

Inbetriebnahme

Ein-/ausschalten

Überprüfen Sie das eingesetzte Werkzeug vor Gebrauch, ob alle Befestigungsteile korrekt angebracht sind.

HINWEIS

- ▶ Schalten Sie den Winkelschleifer immer vor Materialkontakt ein und führen Sie das Gerät erst dann auf das Werkstück.
- ▶ Falls das Gerät durch Überlast blockiert und sich abschaltet, läuft es selbstständig wieder an, sobald die Ursache für die Blockade nicht mehr vorhanden ist (Autostart-Funktion).

Einschalten

- ◆ Drücken Sie den EIN-/AUS-Schalter **1** erst nach rechts, um ihn dann nach vorne zu schieben.

Ausschalten

- ◆ Lassen Sie den EIN-/AUS-Schalter **1** wieder los.

Dauerbetrieb einschalten:

- ◆ Drücken Sie den EIN-/AUS-Schalter **1** erst nach rechts, um ihn dann nach vorne zu schieben. Drücken Sie den EIN-/AUS-Schalter **1** dann zusätzlich vorne herunter, bis er einrastet.

Dauerbetrieb ausschalten

- ◆ Drücken Sie den EIN-/AUS-Schalter **1** hinten herunter und lassen ihn dann los.

Drehzahl einstellen

Mit dem Stellrad für die Drehzahlvorwahl **6** können Sie die Drehzahl vorwählen: (1 = geringere Drehzahl, 6 = größere Drehzahl). Wir empfehlen Ihnen, sie durch praktische Tests zu ermitteln.

Die Drehzahl kann auch während des Betriebs verändert werden.

Wartung und Reinigung



WARNUNG! VERLETZUNGSGEFAHR!
Schalten Sie vor allen Arbeiten am Gerät das Gerät aus und entnehmen Sie den Akku.

Der Akku-Winkelschleifer ist wartungsfrei.

- Verwenden Sie keine scharfen Gegenstände zur Reinigung des Gerätes. Es dürfen keine Flüssigkeiten in das Innere des Gerätes gelangen. Andernfalls kann das Gerät beschädigt werden.
- Reinigen Sie das Gerät regelmäßig, am besten immer direkt nach Abschluss der Arbeit.
- Reinigen Sie das Gehäuse mit einem trockenen Tuch – verwenden Sie auf keinen Fall Benzin, Lösungsmittel oder Reiniger, die Kunststoff angreifen.
- Zur gründlichen Reinigung des Gerätes wird ein Staubsauger benötigt.
- Lüftungsöffnungen müssen immer frei sein.
- Entfernen Sie anhaftenden Schleifstaub mit einem Pinsel.

HINWEIS

- ▶ Nicht aufgeführte Ersatzteile (wie z. B. Kohlebürsten, Schalter) können Sie über unsere Service-Hotline bestellen.

WARNUNG!

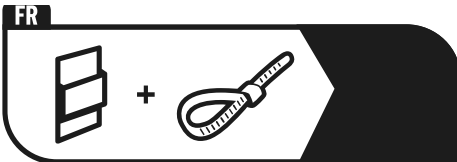
- Verwenden Sie kein Zubehör welches nicht von PARKSIDE empfohlen wurde. Dies kann zu elektrischem Schlag und Feuer führen.

Entsorgung

Für Frankreich gilt



Points de collecte sur www.quefairedemesdechets.fr
Privilégiez la réparation ou le don de votre appareil !



Das Produkt, die Verpackung und die Bedienungsanleitung sind recycelbar, unterliegen einer erweiterten Herstellerverantwortung und werden getrennt gesammelt.



Werfen Sie Elektrowerkzeuge nicht in den Hausmüll!

Das nebenstehende Symbol einer durchgestrichenen Mülltonne auf Rädern zeigt an, dass dieses Gerät der Richtlinie 2012/19/EU unterliegt. Diese Richtlinie besagt, dass Sie dieses Gerät am Ende seiner Nutzungszeit nicht mit dem normalen Haushaltsmüll entsorgen dürfen, sondern in speziell eingerichteten Sammelstellen, Wertstoffhöfen oder Entsorgungsbetrieben abgeben müssen. **Diese Entsorgung ist für Sie kostenfrei. Schonen Sie die Umwelt und entsorgen Sie fachgerecht.**

Für den deutschen Markt gilt

Beim Kauf eines Neugerätes haben Sie das Recht, das entsprechende Altgerät an Ihren Händler zurückzugeben. Händler von Elektro- und Elektronikgeräten mit einer Verkaufsfläche von mindestens 400 qm sowie Lebensmittelhändler mit einer Verkaufsfläche von mindestens 800 qm, die regelmäßig Elektro- und Elektronikgeräte verkaufen, sind außerdem verpflichtet, bis zu drei Altgeräte unentgeltlich zurückzunehmen, auch ohne dass ein Neugerät gekauft wird, wenn die Altgeräte in keiner Ab-

messung größer sind als 25 cm. LIDL bietet Ihnen Rücknahmemöglichkeiten direkt in den Filialen und Märkten an. Informieren Sie sich auch bei Ihrem Händler über die Rücknahmemöglichkeiten vor Ort.



Weitere Möglichkeiten zur Entsorgung des ausgedienten Produkts erfahren Sie bei Ihrer Gemeinde- oder Stadtverwaltung.



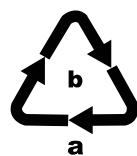
Werfen Sie Akkus nicht in den Hausmüll!

Defekte oder verbrauchte Akkus müssen gemäß Richtlinie 2006/66/EG recycelt werden. Batterien/Akkus sind als Sondermüll zu behandeln und müssen daher durch entsprechende Stellen (Händler, Fachhändler, öffentliche kommunale Stellen, gewerbliche Entsorgungsunternehmen) umweltgerecht entsorgt werden. Batterien/Akkus können giftige Schwermetalle enthalten.

Werfen Sie Batterien/Akkus daher nicht in den Hausmüll, sondern führen Sie diese einer separaten Sammlung zu. Geben Sie Batterien/Akkus nur im entladenen Zustand zurück.



Die Verpackung besteht aus umweltfreundlichen Materialien, die Sie über die örtlichen Recyclingstellen entsorgen können.



Entsorgen Sie die Verpackung umweltgerecht. Beachten Sie die Kennzeichnung auf den verschiedenen Verpackungsmaterialien und trennen Sie diese gegebenenfalls gesondert. Die Verpackungsmaterialien sind gekennzeichnet mit Abkürzungen (a) und Ziffern (b) mit folgender Bedeutung: 1–7: Kunststoffe, 20–22: Papier und Pappe, 80–98: Verbundstoffe.

Garantie der Kompernaß Handels GmbH

Sehr geehrte Kundin, sehr geehrter Kunde,

Sie erhalten auf dieses Gerät 3 Jahre Garantie ab Kaufdatum. Sofern im Lieferumfang enthalten, erhalten Sie auf die Akku-Packs der X12V und X20V Team Serie ebenfalls 3 Jahre Garantie ab Kaufdatum. Im Falle von Mängeln dieses Produkts stehen Ihnen gegen den Verkäufer des Produkts gesetzliche Rechte zu. Diese gesetzlichen Rechte werden durch unsere im Folgenden dargestellte Garantie nicht eingeschränkt.

Garantiebedingungen

Die Garantiefrist beginnt mit dem Kaufdatum. Bitte bewahren Sie den Kassenbon gut auf. Dieser wird als Nachweis für den Kauf benötigt.

Tritt innerhalb von drei Jahren ab dem Kaufdatum dieses Produkts ein Material- oder Fabrikationsfehler auf, wird das Produkt von uns – nach unserer Wahl – für Sie kostenlos repariert, ersetzt oder der Kaufpreis erstattet. Diese Garantieleistung setzt voraus, dass innerhalb der Dreijahresfrist das defekte Gerät und der Kaufbeleg (Kassenbon) vorgelegt und schriftlich kurz beschrieben wird, worin der Mangel besteht und wann er aufgetreten ist.

Wenn der Defekt von unserer Garantie gedeckt ist, erhalten Sie das reparierte oder ein neues Produkt zurück. Mit Reparatur oder Austausch des Produkts beginnt kein neuer Garantiezeitraum.

Garantiezeit und gesetzliche Mängelansprüche

Die Garantiezeit wird durch die Gewährleistung nicht verlängert. Dies gilt auch für ersetzte und reparierte Teile. Eventuell schon beim Kauf vorhandene Schäden und Mängel müssen sofort nach dem Auspacken gemeldet werden. Nach Ablauf der Garantiezeit anfallende Reparaturen sind kostenpflichtig.

Garantieumfang

Das Gerät wurde nach strengen Qualitätsrichtlinien sorgfältig produziert und vor Auslieferung gewissenhaft geprüft.

Die Garantieleistung gilt für Material- oder Fabrikationsfehler. Der Garantieumfang erstreckt sich nicht auf Produktteile, die normaler Abnutzung ausgesetzt sind und daher als Verschleißteile angesehen werden können, wie z. B. Sägeblätter, Ersatzklingen, Schleifpapiere, etc. oder auf Beschädigungen an zerbrechlichen Teilen, wie z. B. Schalter oder Teile, die aus Glas gefertigt sind.

Diese Garantie verfällt, wenn das Produkt beschädigt, nicht sachgemäß benutzt oder gewartet wurde. Für eine sachgemäße Benutzung des Produkts sind alle in der Bedienungsanleitung aufgeführten Anweisungen genau einzuhalten. Verwendungszwecke und Handlungen, von denen in der Bedienungsanleitung abgeraten oder vor denen gewarnt wird, sind unbedingt zu vermeiden.

Das Produkt ist nur für den privaten und nicht für den gewerblichen Gebrauch bestimmt. Bei missbräuchlicher und unsachgemäßer Behandlung, Gewaltanwendung und bei Eingriffen, die nicht von unserer autorisierten Serviceniederlassung vorgenommen wurden, erlischt die Garantie.

Garantieleistung gilt nicht bei

- normaler Abnutzung der Akkukapazität
- gewerblichen Gebrauch des Produktes
- Beschädigung oder Veränderung des Produktes durch den Kunden
- Missachtung der Sicherheits- und Wartungsvorschriften, Bedienungsfehler
- Schäden durch Elementarereignisse

Abwicklung im Garantiefall

Um eine schnelle Bearbeitung Ihres Anliegen zu gewährleisten, folgen Sie bitte den folgenden Hinweisen:

- Bitte halten Sie für alle Anfragen den Kassenschein und die Artikelnummer (IAN) 443996_2207 als Nachweis für den Kauf bereit.
- Die Artikelnummer entnehmen Sie bitte dem Typenschild am Produkt, einer Gravur am Produkt, dem Titelblatt der Bedienungsanleitung (unten links) oder dem Aufkleber auf der Rück- oder Unterseite des Produktes.
- Sollten Funktionsfehler oder sonstige Mängel auftreten, kontaktieren Sie zunächst die nachfolgend benannte Serviceabteilung **telefonisch** oder per **E-Mail**.
- Ein als defekt erfasstes Produkt können Sie dann unter Beifügung des Kaufbelegs (Kassenschein) und der Angabe, worin der Mangel besteht und wann er aufgetreten ist, für Sie portofrei an die Ihnen mitgeteilte Serviceanschrift übersenden.



Auf www.lidl-service.com können Sie diese und viele weitere Handbücher, Produktvideos und Installationssoftware herunterladen.

Mit diesem QR-Code gelangen Sie direkt auf die Lidl-Service-Seite (www.lidl-service.com) und können mittels der Eingabe der Artikelnummer (IAN) 443996_2207 Ihre Bedienungsanleitung öffnen.

Service

DE Service Deutschland

Tel.: 0800 5435 111 (kostenfrei aus dem dt. Festnetz/Mobilfunknetz)
E-Mail: kompernass@lidl.de

AT Service Österreich

Tel.: 0800 447 744
E-Mail: kompernass@lidl.at

CH Service Schweiz

Tel.: 0800 56 44 33
E-Mail: kompernass@lidl.ch

IAN 443996_2207

Importeur

Bitte beachten Sie, dass die folgende Anschrift keine Serviceanschrift ist. Kontaktieren Sie zunächst die benannte Servicestelle.

KOMPERNASS HANDELS GMBH
BURGSTRASSE 21
44867 BOCHUM
DEUTSCHLAND
www.kompernass.com

Original-Konformitätserklärung

Wir, KOMPERNASS HANDELS GMBH, Dokumentenverantwortlicher: Herr Semi Uguzlu, BURGSTR. 21, 44867 BOCHUM, DEUTSCHLAND, erklären hiermit, dass dieses Produkt mit den folgenden Normen, normativen Dokumenten und EG-Richtlinien übereinstimmt:

Maschinenrichtlinie (2006/42/EG)

Elektromagnetische Verträglichkeit (2014/30/EU)

RoHS-Richtlinie (2011/65/EU)*

* Die alleinige Verantwortung für die Ausstellung dieser Konformitätserklärung trägt der Hersteller. Der oben beschriebene Gegenstand der Erklärung erfüllt die Vorschriften der Richtlinie 2011/65/EU des Europäischen Parlaments und des Rates vom 8. Juni 2011 zur Beschränkung der Verwendung bestimmter gefährlicher Stoffe in Elektro- und Elektronikgeräten.

Angewandte harmonisierte Normen

EN 60745-1:2009/A11:2010

EN 60745-2-3:2011/A13:2015

EN IEC 55014-1:2021

EN IEC 55014-2:2021

EN IEC 63000:2018

Typbezeichnung der Maschine: Akku-Winkelschleifer PWSA 20-Li E4

Herstellungsjahr: 12-2022

Seriennummer: IAN 443996_2207

Bochum, 15.11.2022



Semi Uguzlu

- Qualitätsmanager -

Technische Änderungen im Sinne der Weiterentwicklung sind vorbehalten.