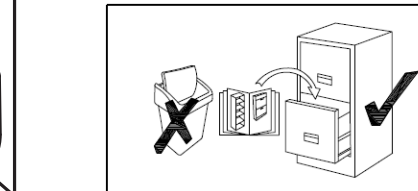
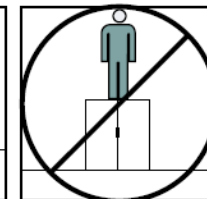
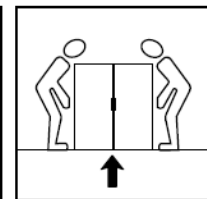
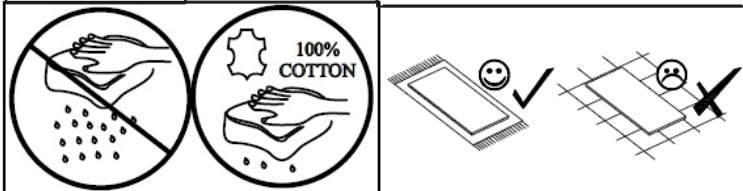
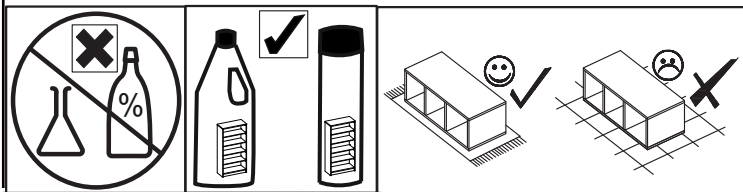
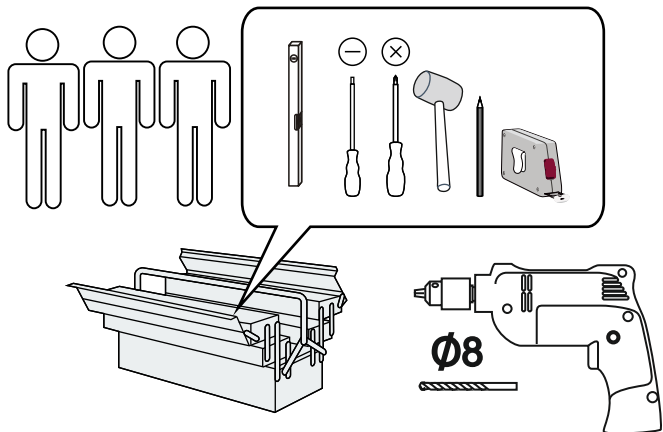
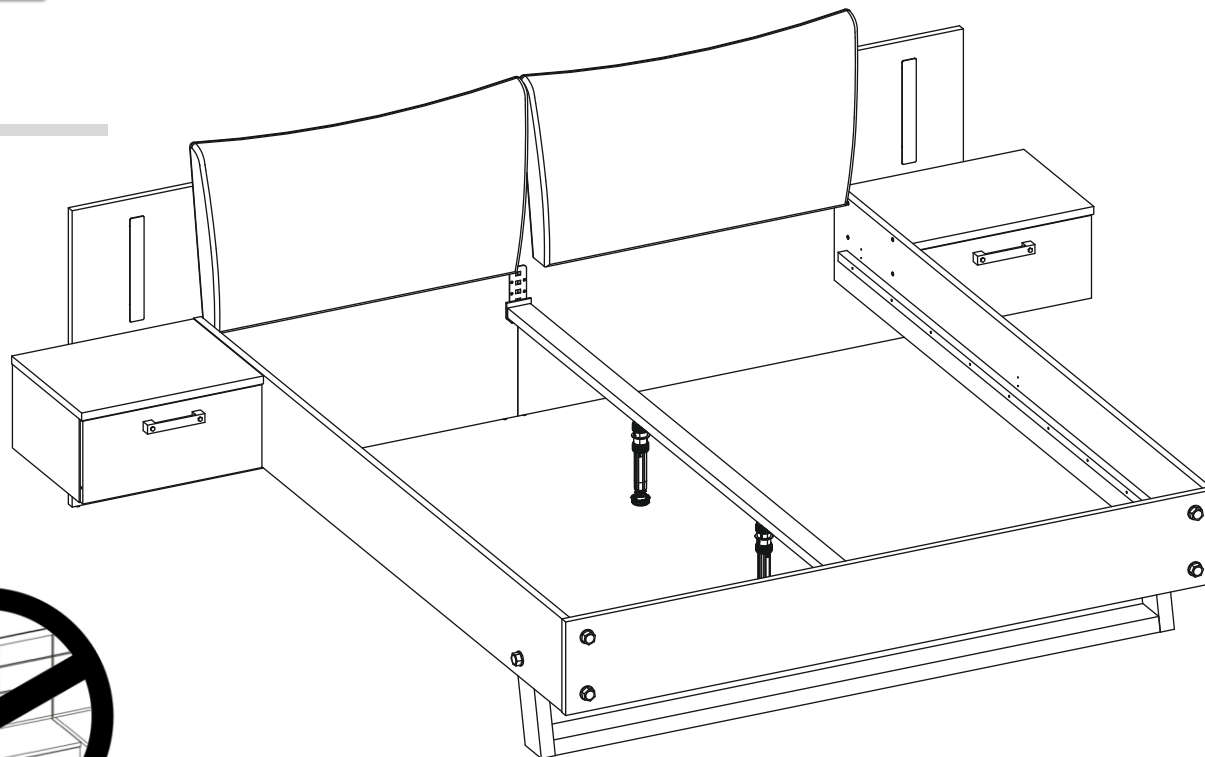
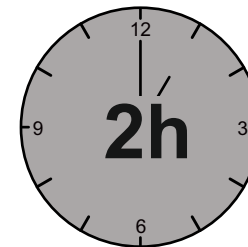


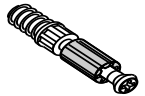

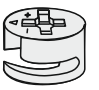
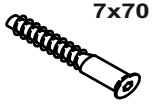
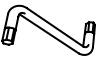

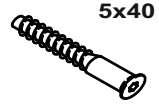


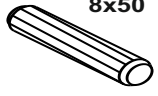
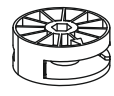
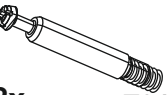
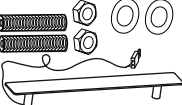

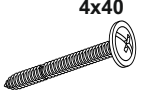

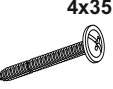


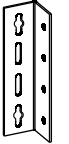

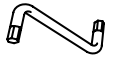
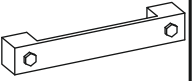
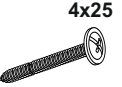
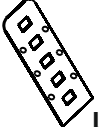


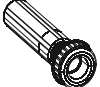

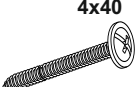

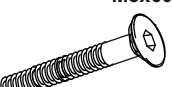

<http://www.bega-gruppe.de>


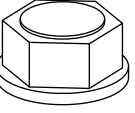



874/2012

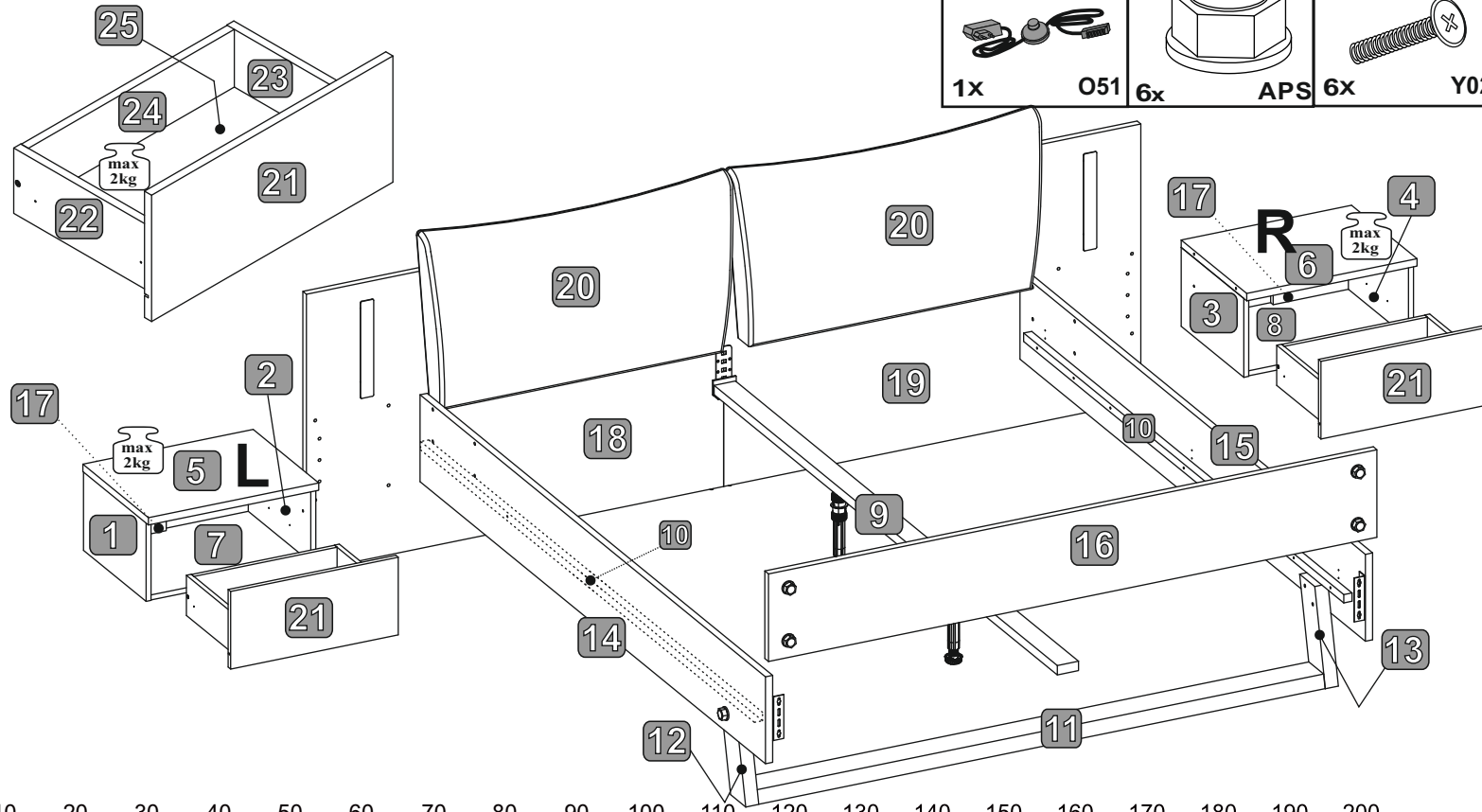
BG	Bulgarisch	български
CS	Tschechisch	čeština
DA	Dänisch	Dansk
DE	Deutsch	Deutsch
ET	Estonisch	Eesti
EL	Griechisch	ελληνικά
EN	Englisch	English
ES	Spanisch	español
FR	Französisch	Français
FI	Finnisch	suomalainen
HR	Kroatisch	hrvatski
HU	Ungarisch	magyar
IT	Italienisch	Italiano
LV	Lettisch	Latvijas
LT	Litauisch	Lietuvos
NL	Niederländisch	Nederlands
PL	Polnisch	Polski
PT	Portugiesisch	português
RO	Rumänisch	român
SK	Slowakisch	slovenský
SL	Slowenisch	slovenščina
SV	Schwedisch	Svenska



 26x T01	 4x T03	 15x12 T02	 7x70 W70	 Z4 2x K01	 7x35 W36	 5x40 W16	 Z3 1x K02	 8x28 D01	 8x50 D03	 35x15,2 2x T05
 9,5x48,5 2x T04	 2x O53	 Z6 1x K04	 4x40 W28	 8x G10	 4x35 W15	 4x P06	 3,5x13 W02	 2x L03	 6,3x20 W29	 Z5 1x K03
 2x U41	 4x25 W05	 2x L02	 2x L02	 4x16 W25	 2x NOG	 4x REG	 4x40 W28	 8x S01	 M8x60 Y05	 4x C01

 1x O51	 6x APS	 4x30 Y02
---	---	---

NR	DIM	QTE	COLLI
1	236x382x15	1	1/4
2	236x382x15	1	1/4
3	236x382x15	1	1/4
4	236x382x15	1	1/4
5	520x400x22	1	1/4
6	520x400x22	1	1/4
7	488x381x15	1	1/4
8	488x381x15	1	1/4
9	2096x65x28	1	2/4
10	1956x25x25	2	2/4
11	1730x100x40	1	2/4
12	308x90x40	1	2/4
13	308x90x40	1	2/4
14	2110x260x22	1	2/4
15	2110x260x22	1	2/4
16	1858x262x22	1	2/4
17	220x220x15	2	1/4
18	1274x830x22	1	3/4
19	1274x830x22	2	3/4
20	942x518x100	2	4/4
21	512x232x15	2	1/4
22	300x120x15	2	1/4
23	300x120x15	2	1/4
24	437x120x15	2	1/4
25	448x297x2	2	1/4



0 10 20 30 40 50 60 70 80 90 100 110 120 130 140 150 160 170 180 190 200

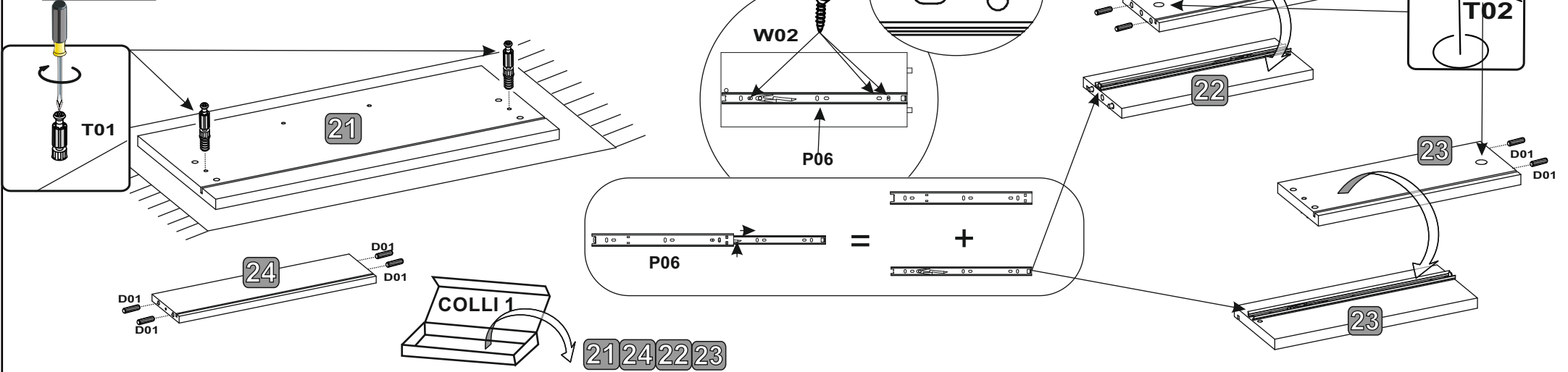


# DOVER

22-091

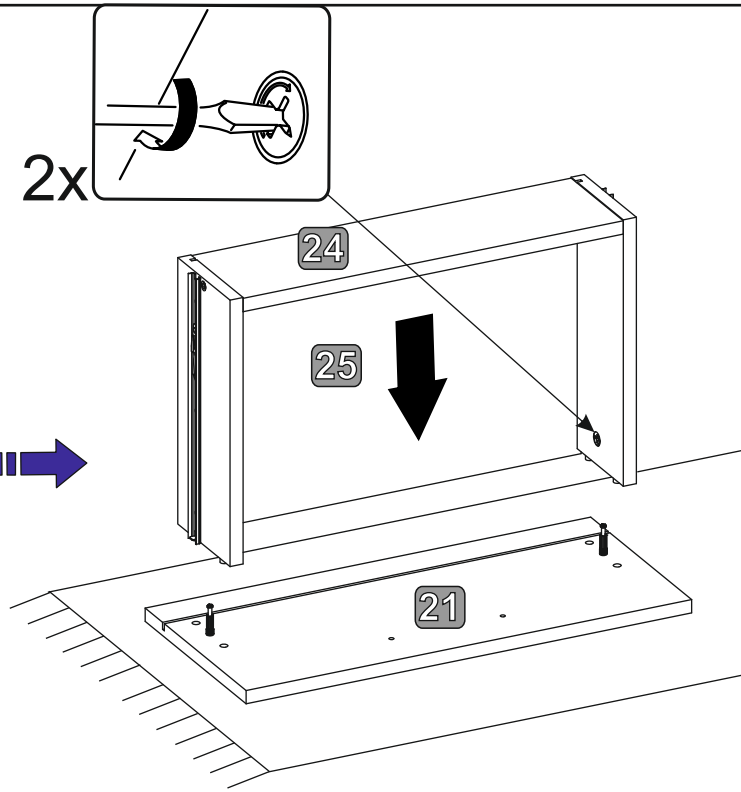
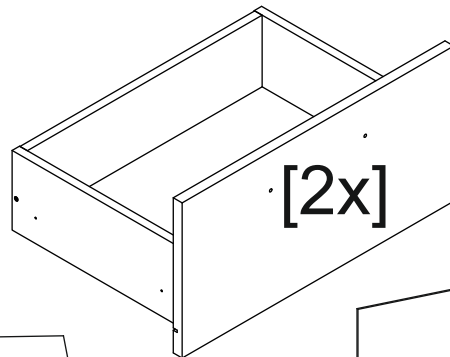
3/20

- 4x P06
- 12x W02 (3,5x13)
- 16x D01 (8x28)
- 4x T01
- 4x T02 (15x12)



2

- 1x K02 (Z3)
- 4x W16 (5x40)



# DOVER

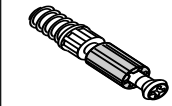
3

15x12



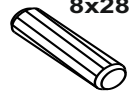
14x

T02



12x

T01



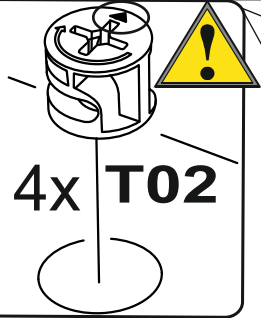
8x28

8x

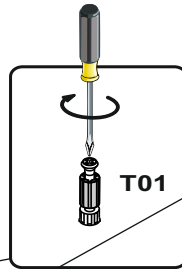
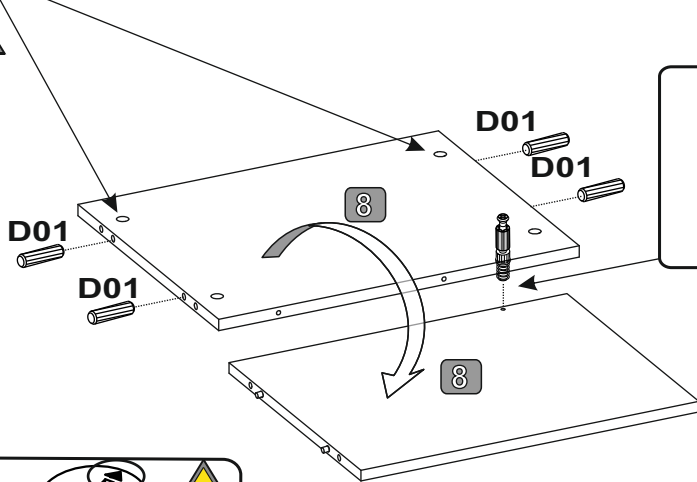
D01



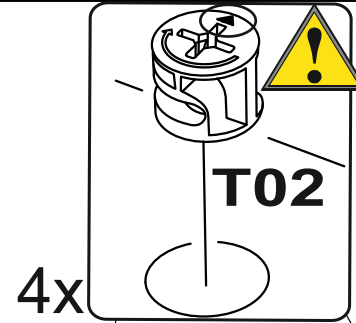
8 7 17 5 6



4x T02

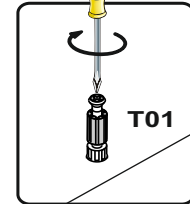
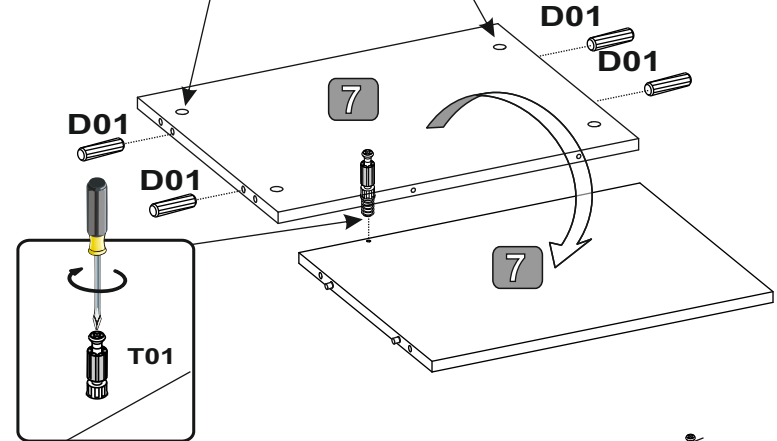


T01

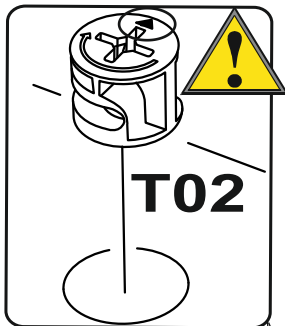


4x

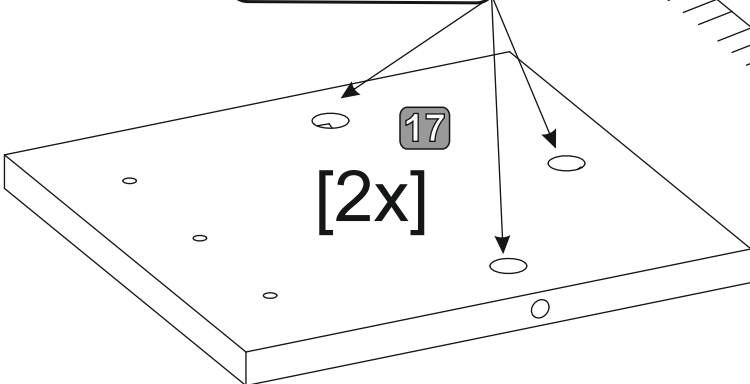
T02



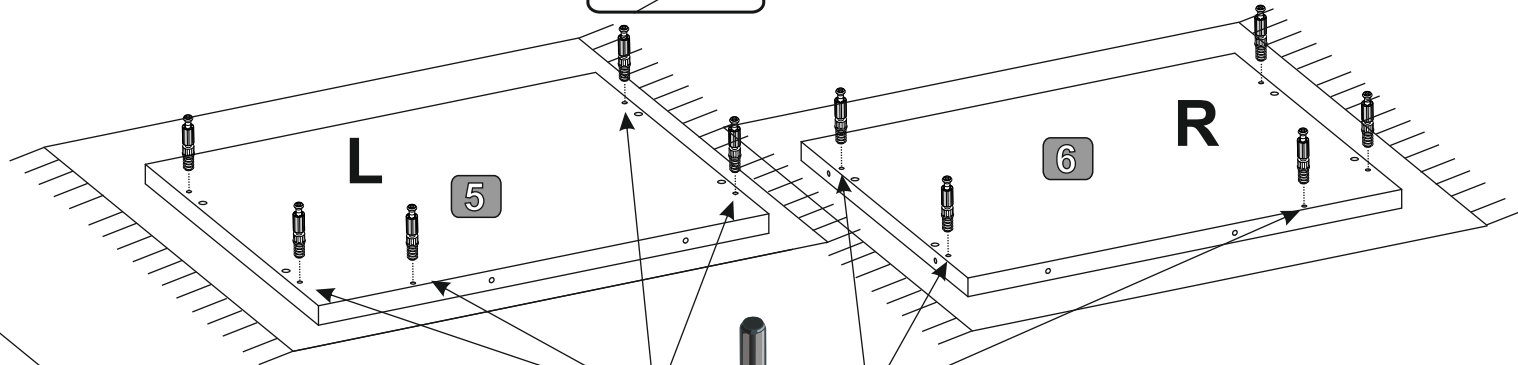
T01



T02

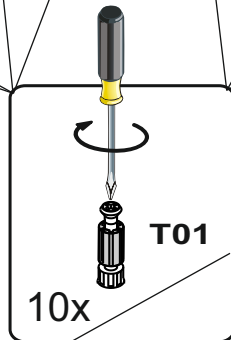


[2x]



L

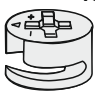
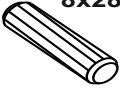
R



T01

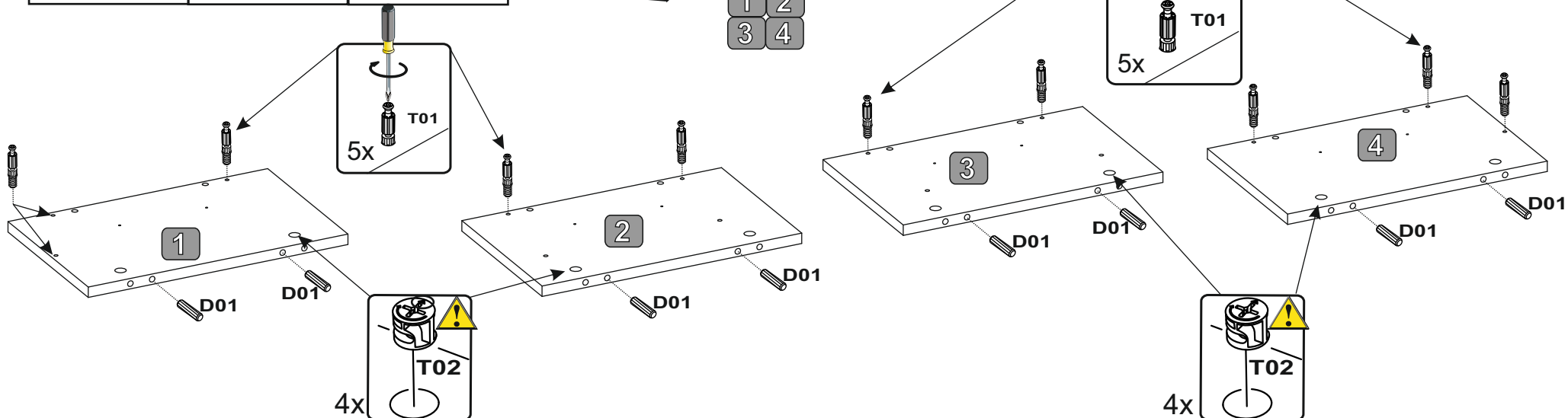
10x

4


15x12	8x28
	
8x T02	8x D01

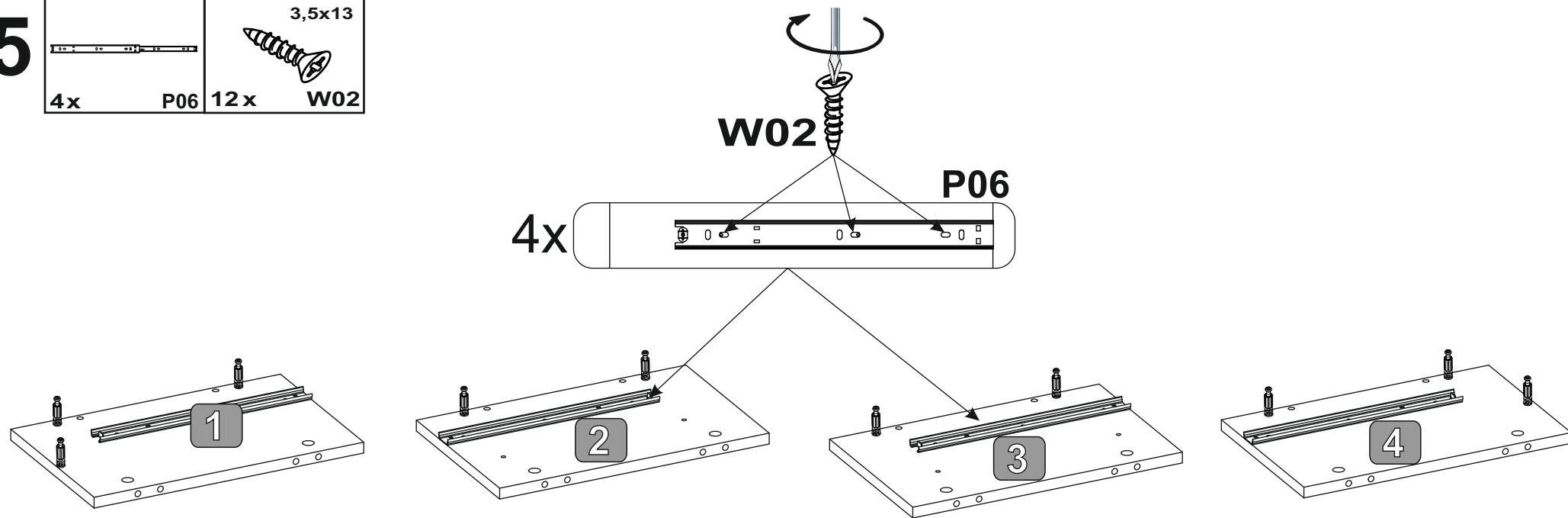
COLLI 1

1	2
3	4

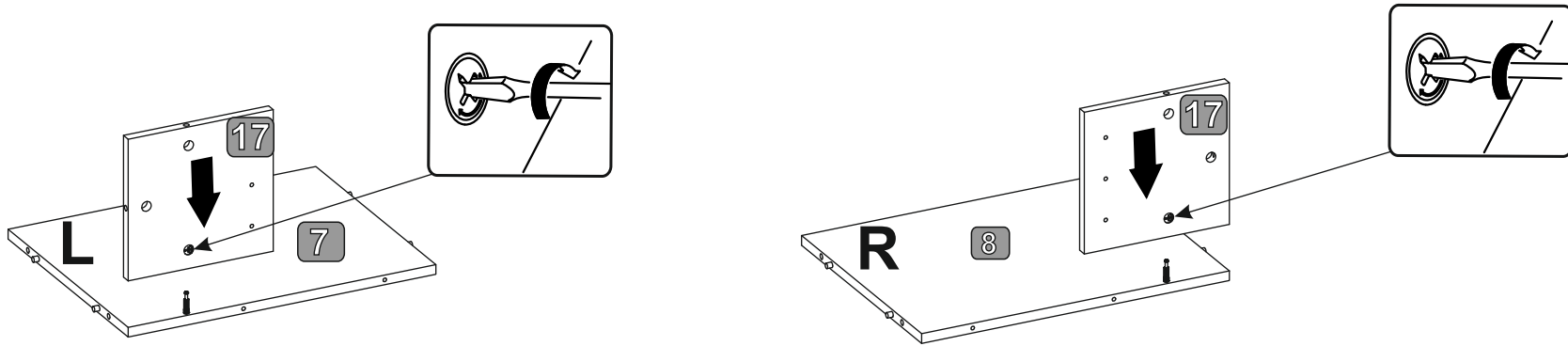


5

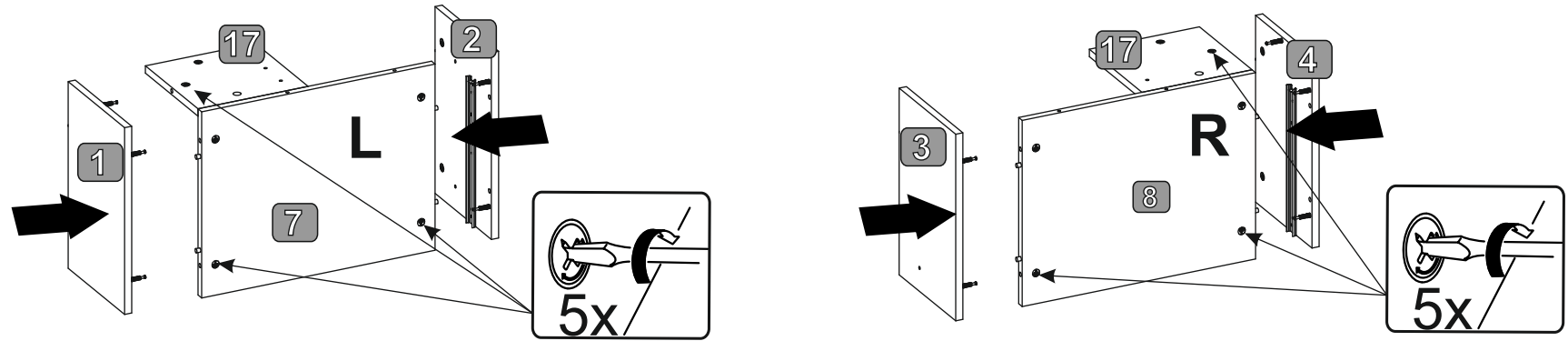
3,5x13	
	
4x P06	12x W02



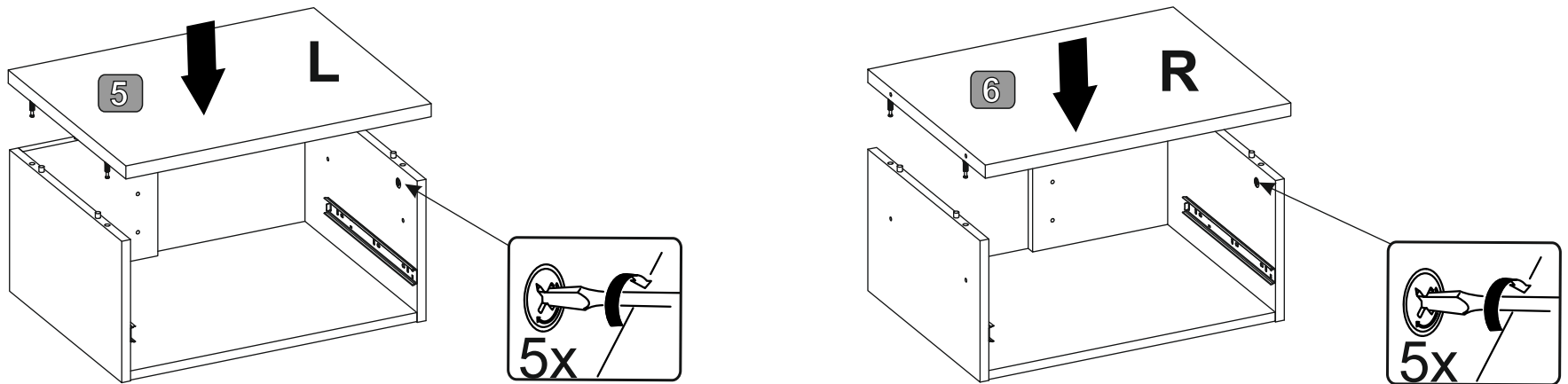
6




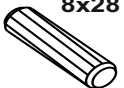

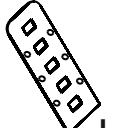

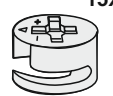
7

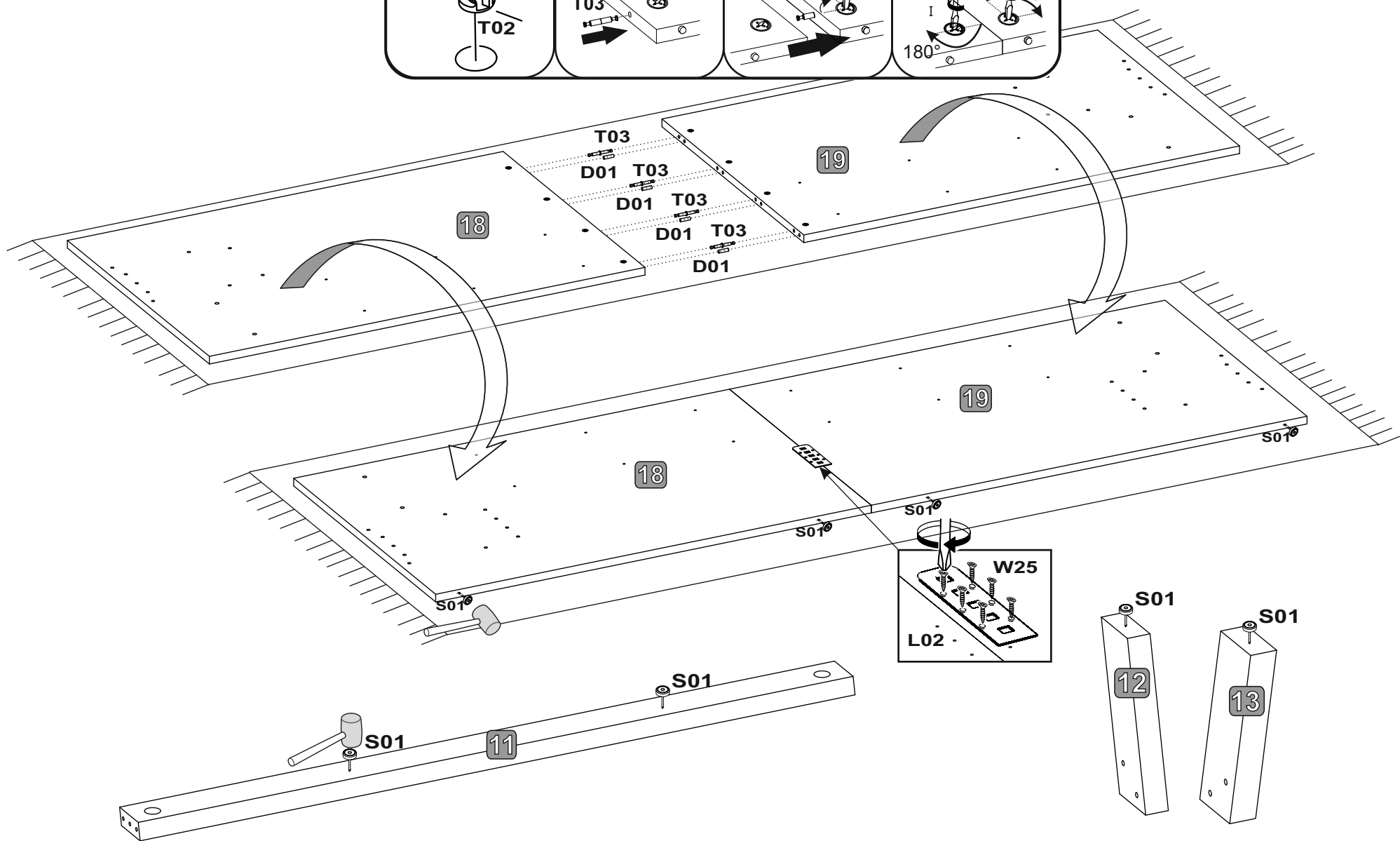
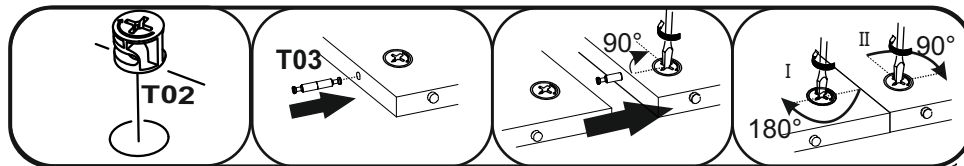


8



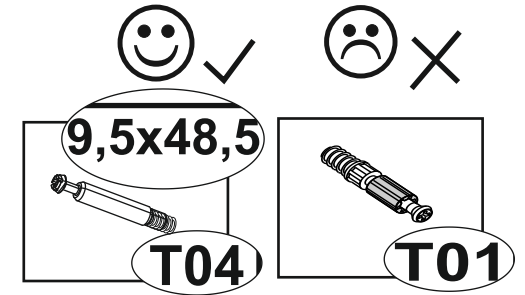
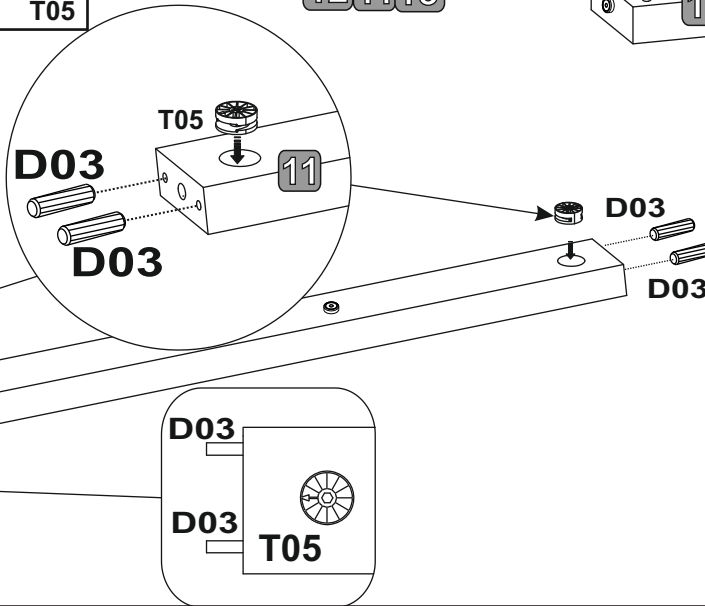
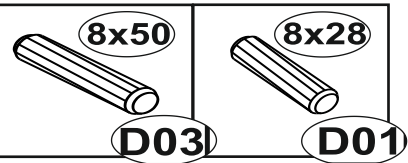
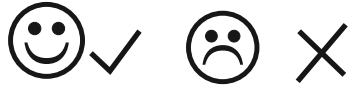
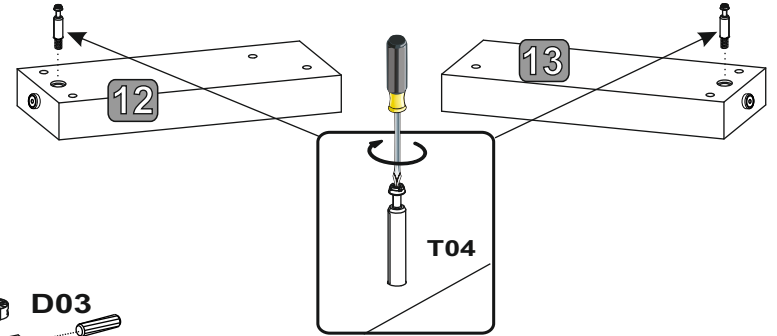
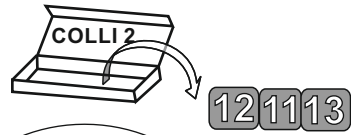
9

 4x T03	 8x28 4x D01	 8x S01	 1x L02	 4x16 6x W25	 15x12 8x T02
---	---	---	---	---	--

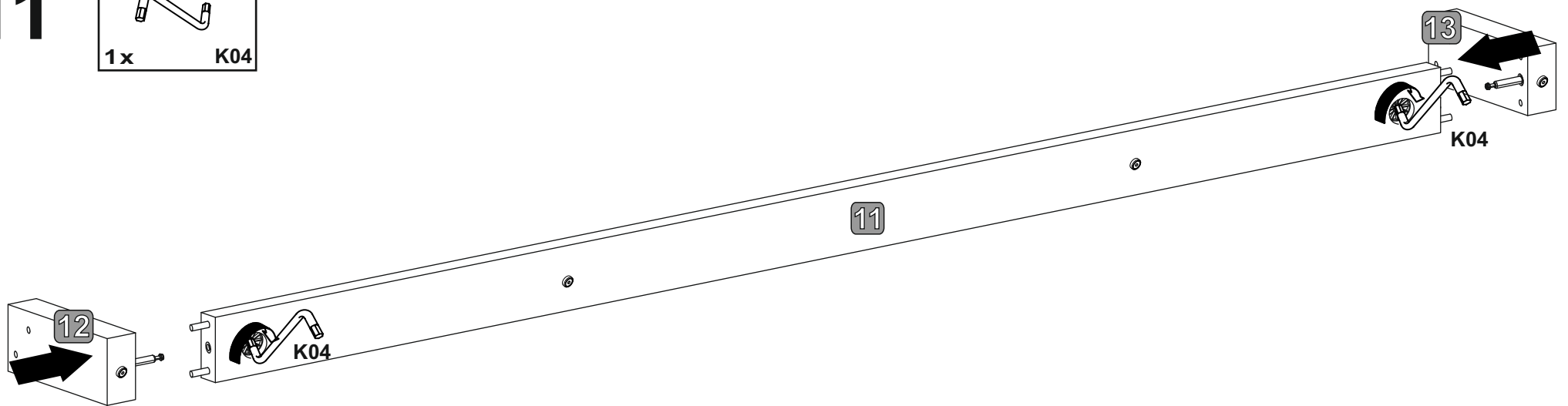
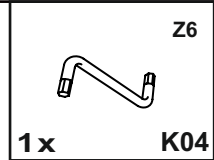


10

- 9,5x48,5  
2x T04
- 8x50  
4x D03
- 35x15,2  
2x T05



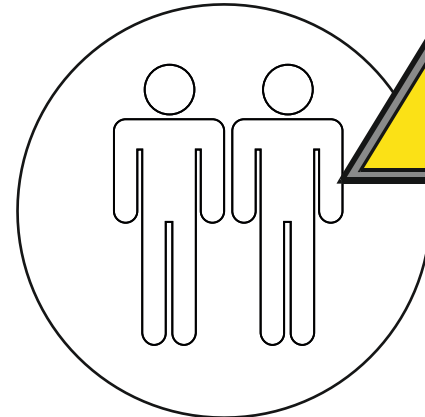
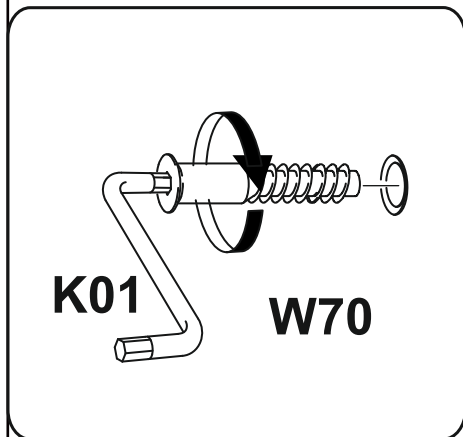
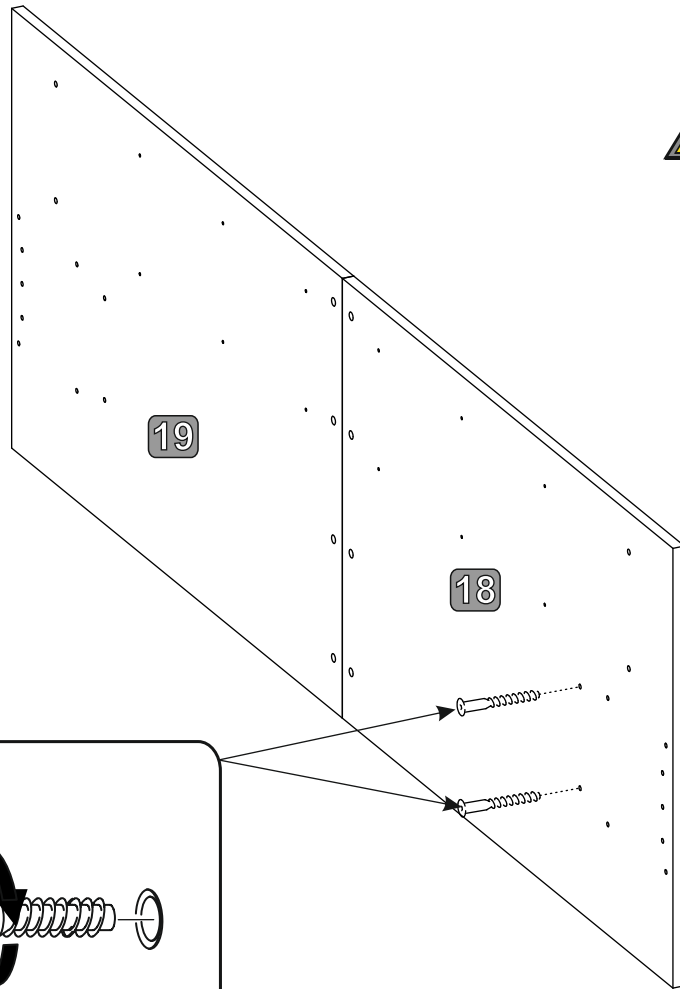
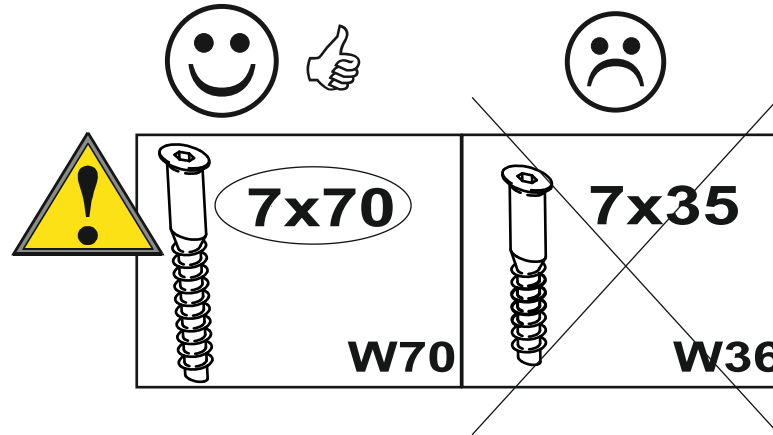
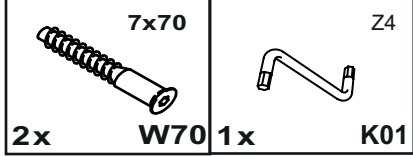
11




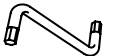


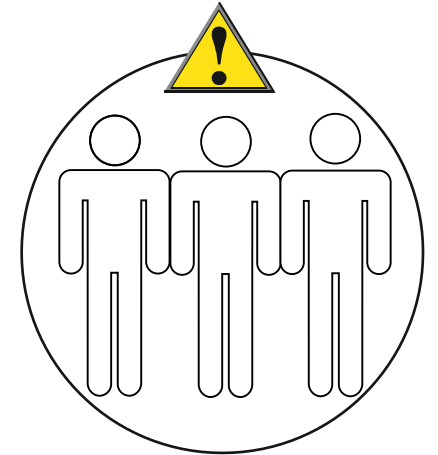
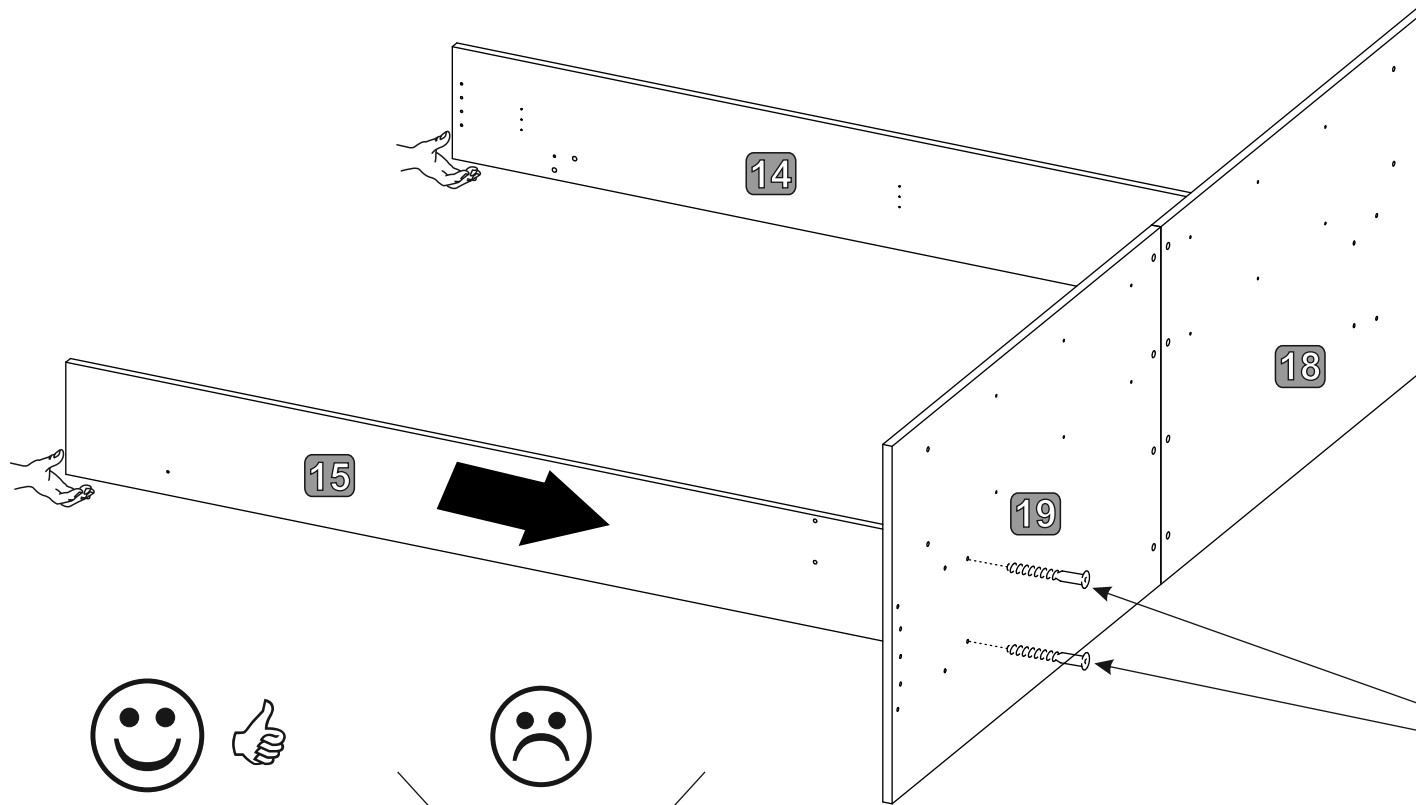




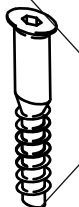
13



14

7x70	Z4
	
2x W70	1x K01



		
	7x70	7x35
	W70	W36

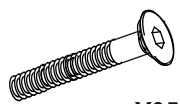

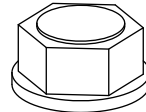
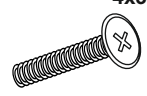
The diagram shows two types of screws. The left one is a 7x70 screw (W70) with a warning icon and a thumbs up, indicating it is the correct choice. The right one is a 7x35 screw (W36) with a sad face, indicating it is incorrect.

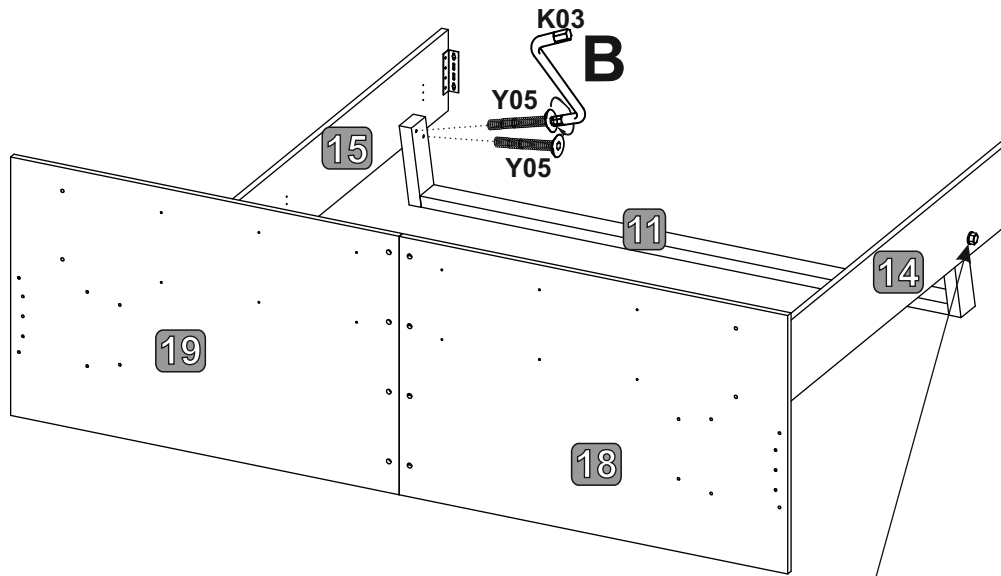
A close-up diagram showing the correct installation of the 7x70 screw (W70) and the Z4 bracket (K01) into a hole in the panel. The screw is shown being inserted from the left, and the bracket is shown being inserted from the right.

# DOVER

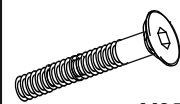

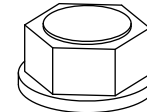
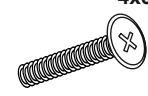
# 22-091

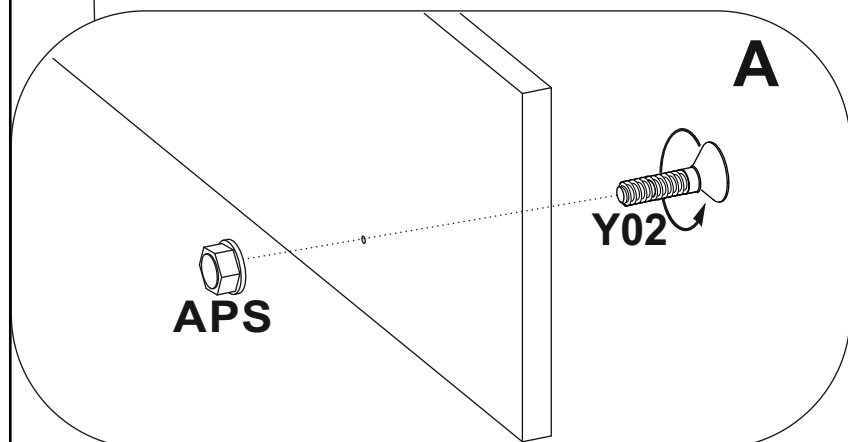
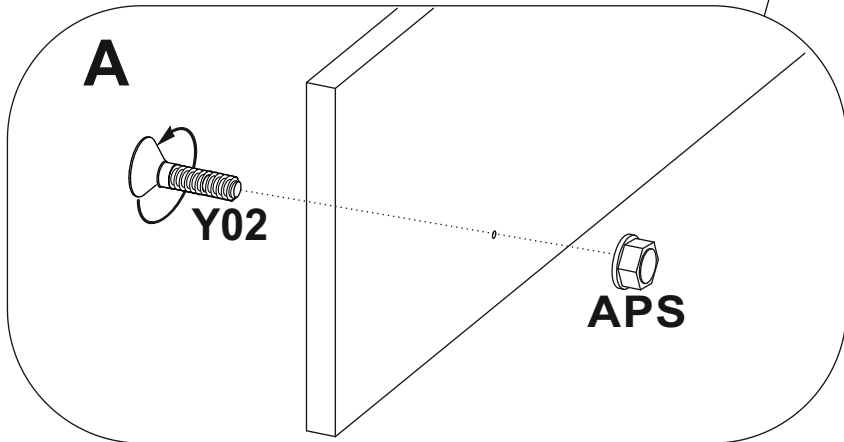
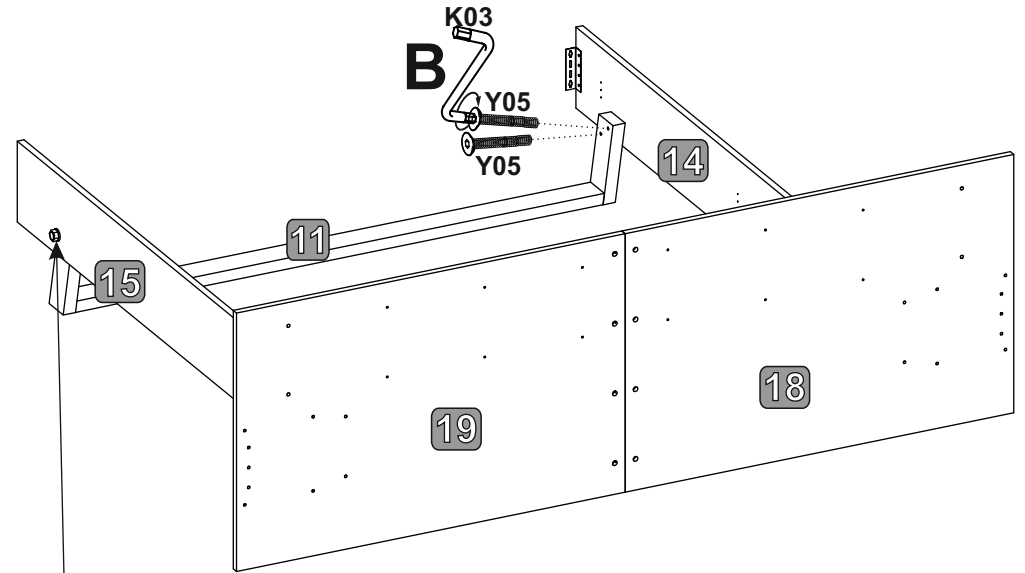
# 15

M8x60	Z5		4x30
			
2x Y05	1x K03	1x APS	1x Y02

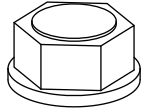



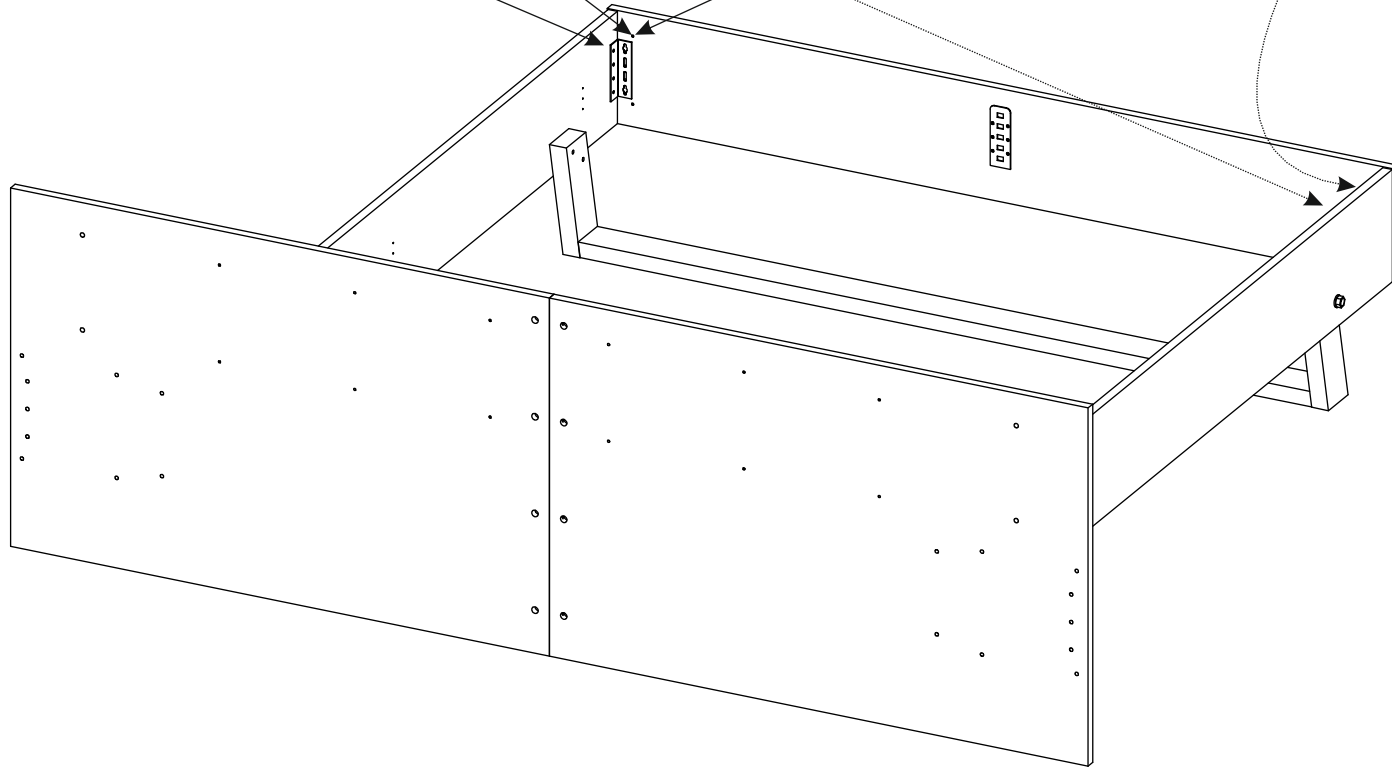
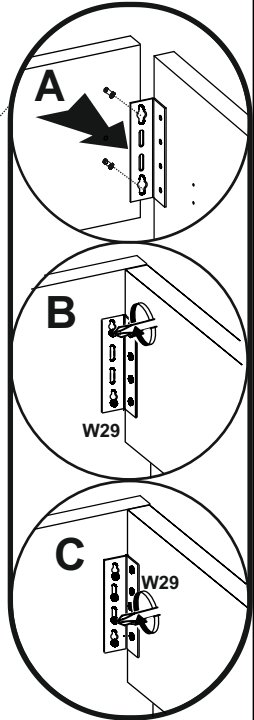
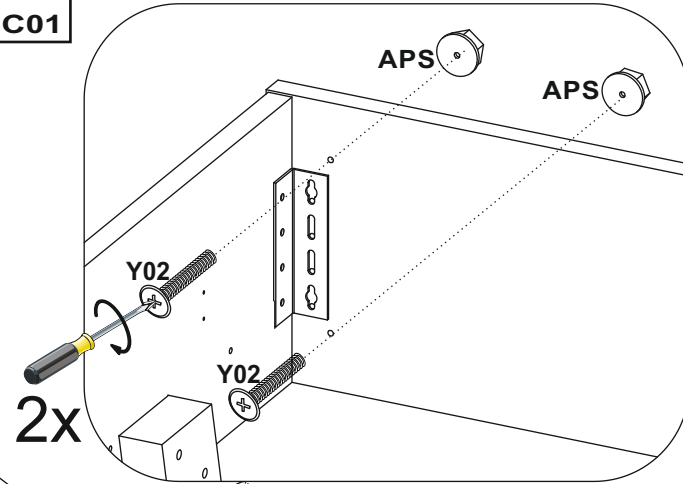
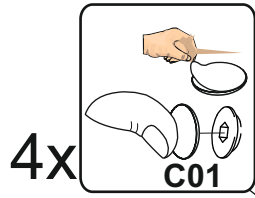
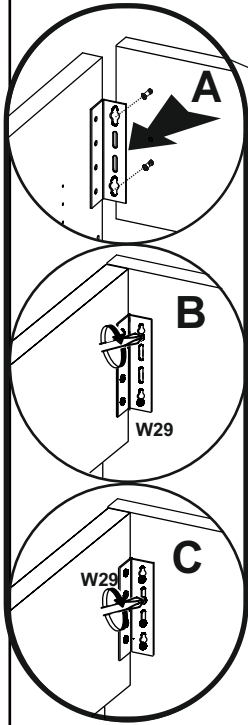
# 16

M8x60	Z5		4x30
			
2x Y05	1x K03	1x APS	1x Y02



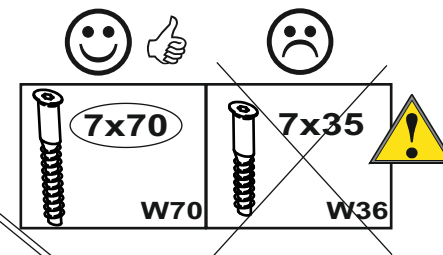
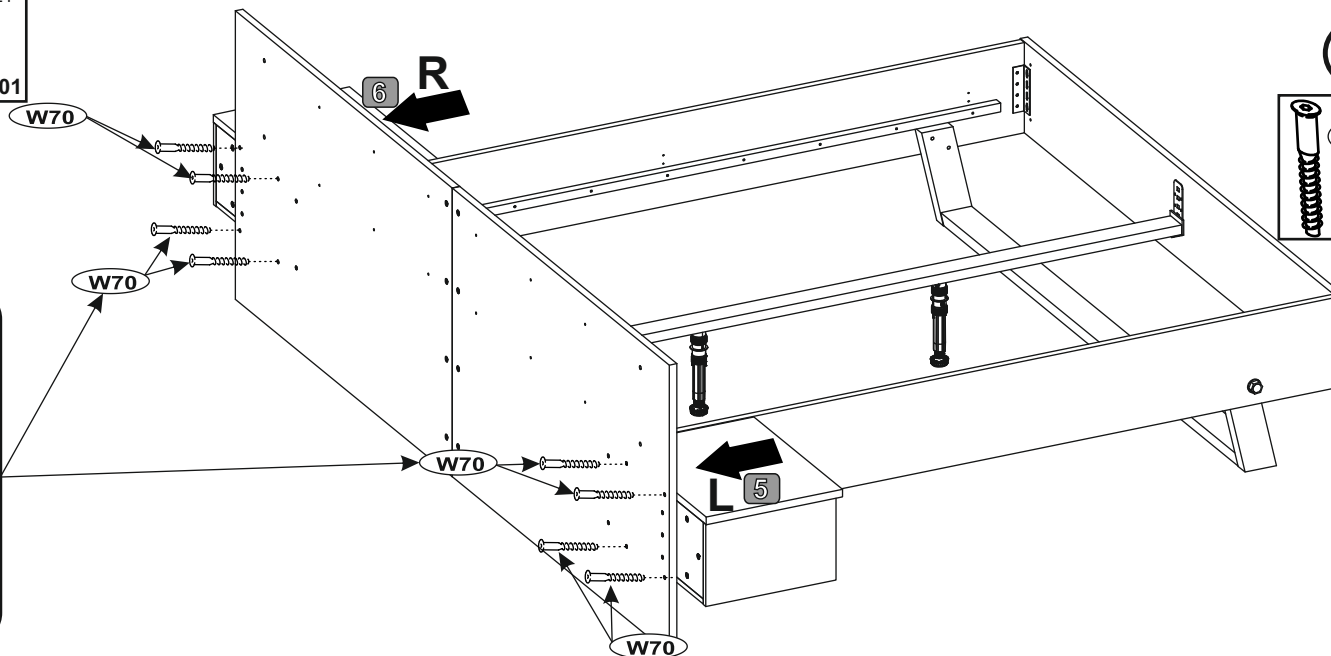
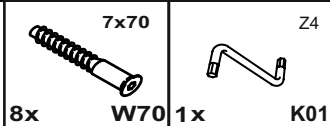
17

6,3x20 4x W29	 4x APS	4x30 4x Y02	 4x C01
---------------------	--	-------------------	---

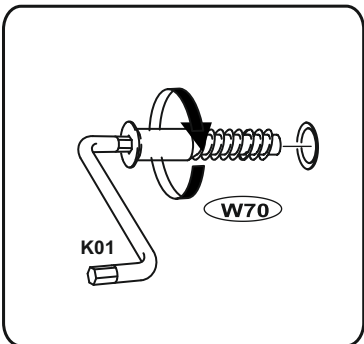




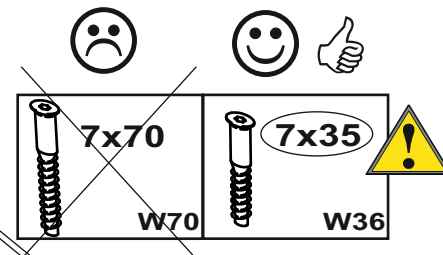
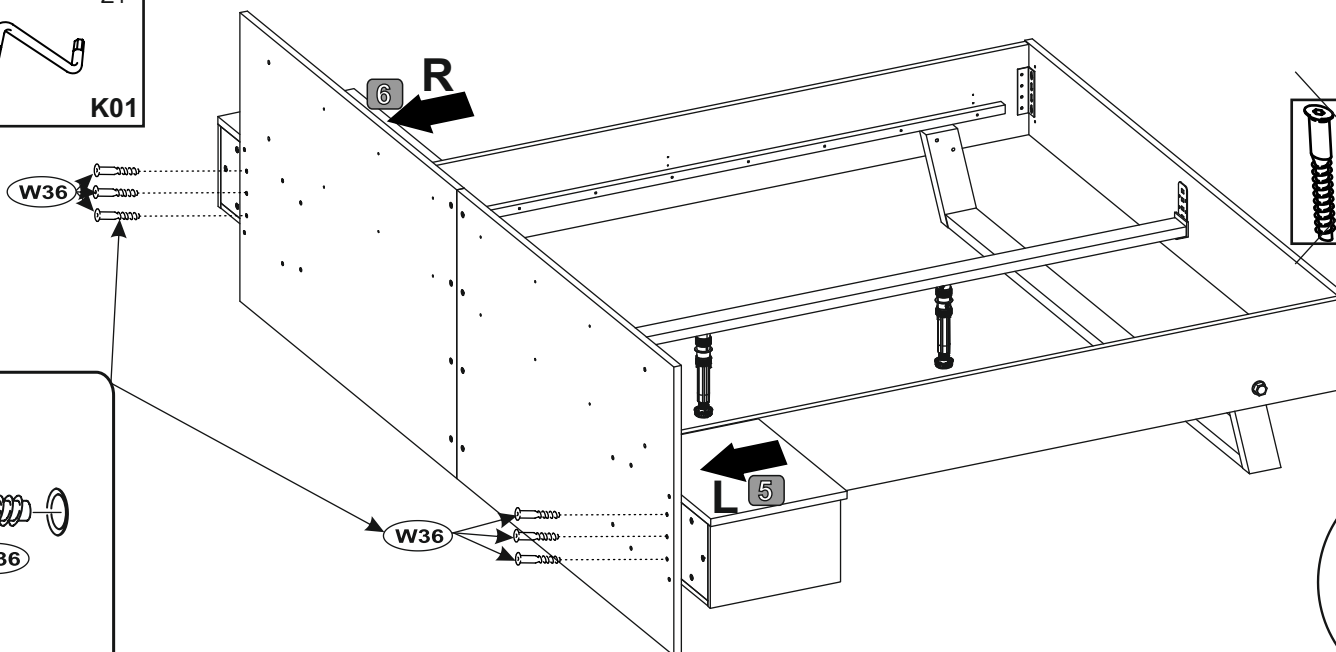
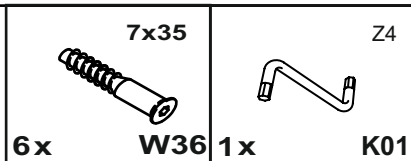
19



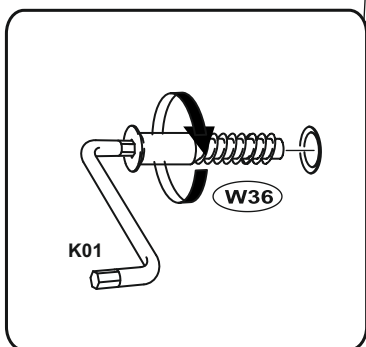
8x



20

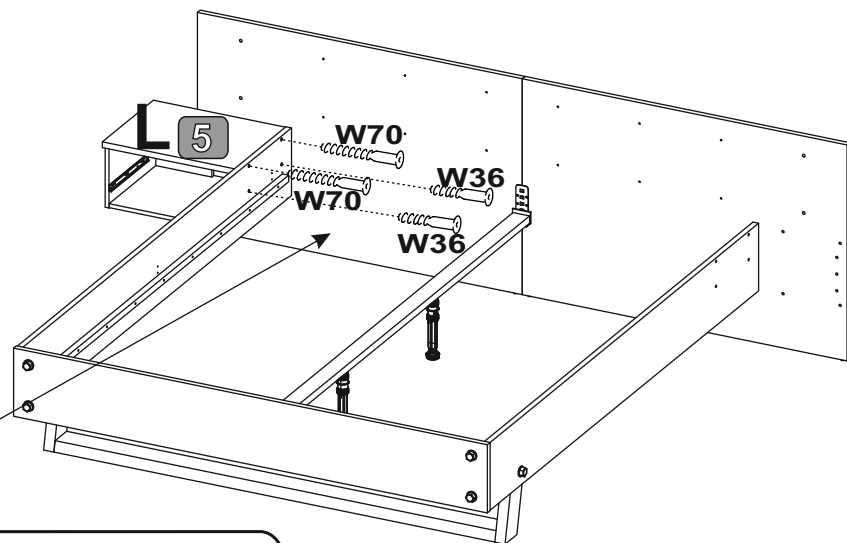


6x



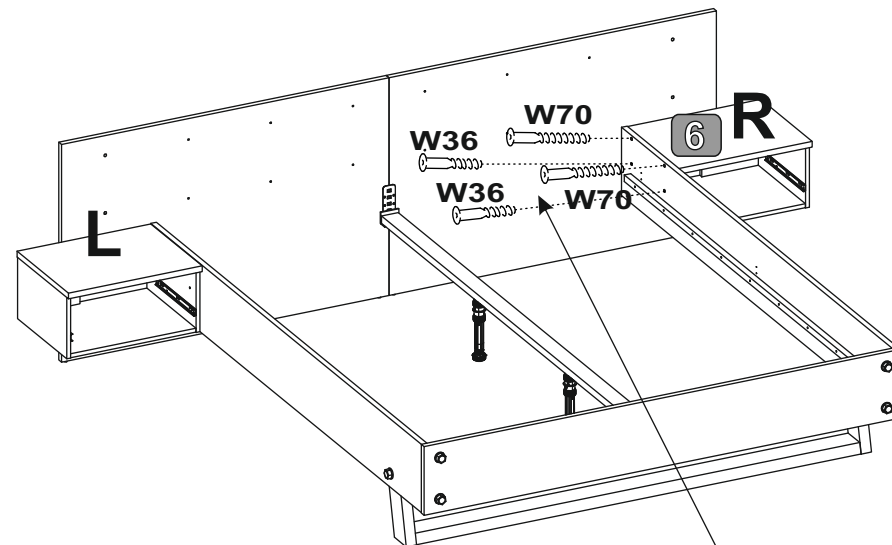
21

	Z4	7x70	7x35
1x	K01	2x W70	2x W36

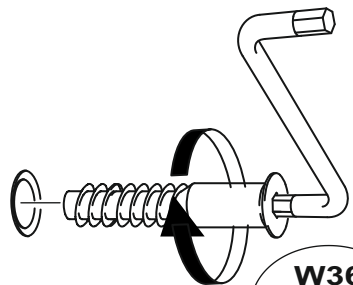


22

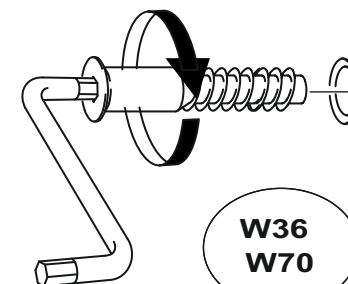
	7x70	7x35	
1x	K01	2x W70	2x W36



K01



W36  
W70




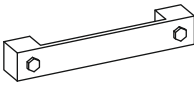


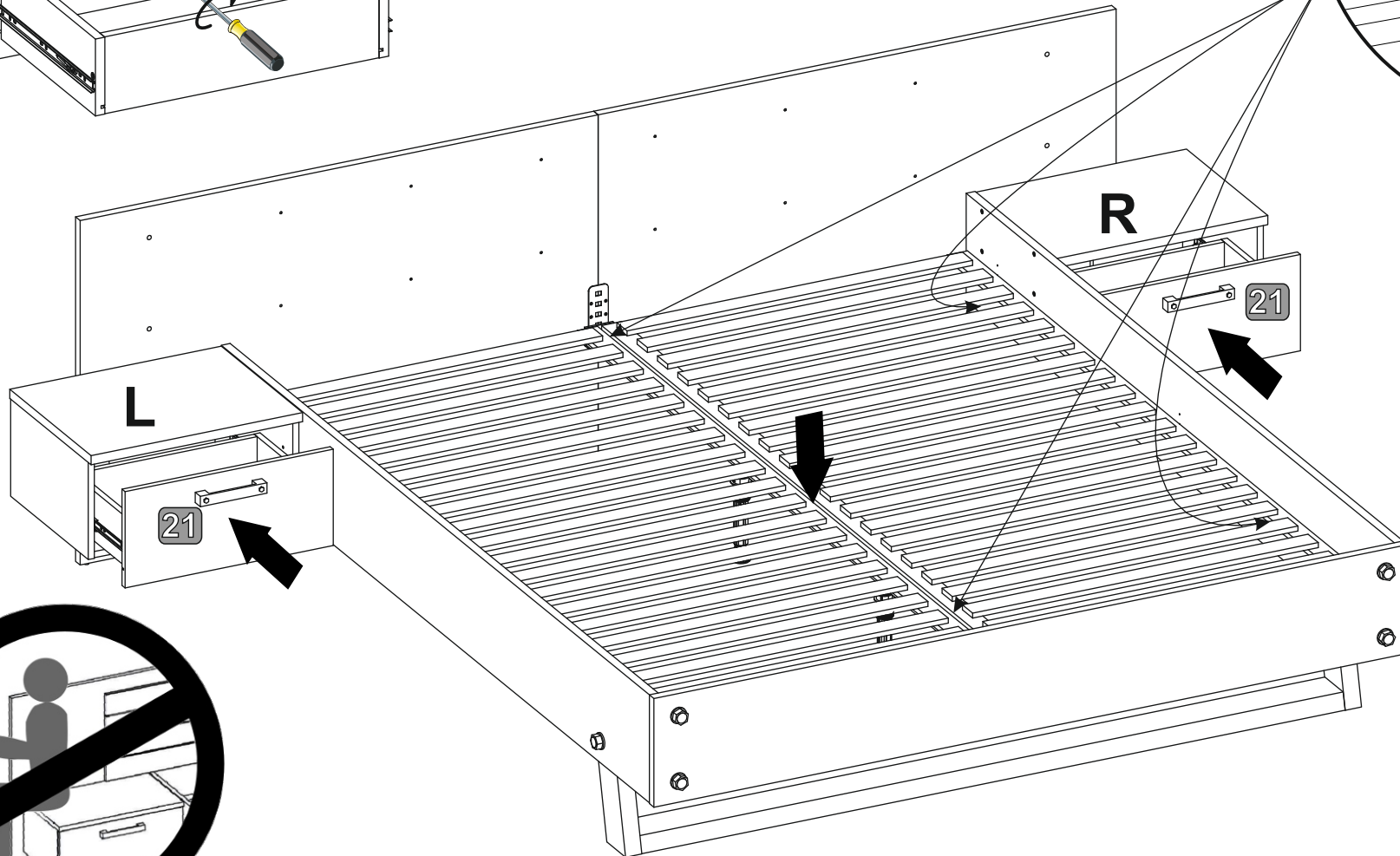
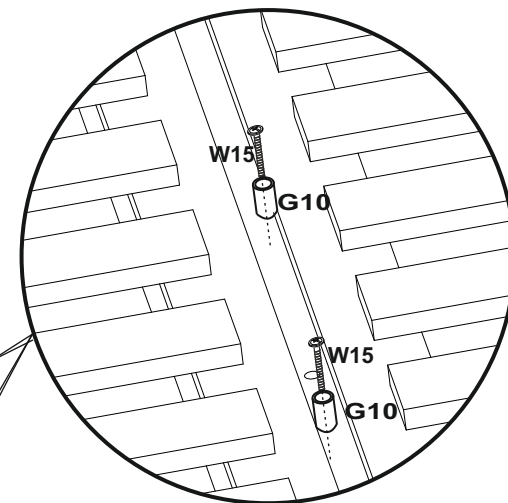
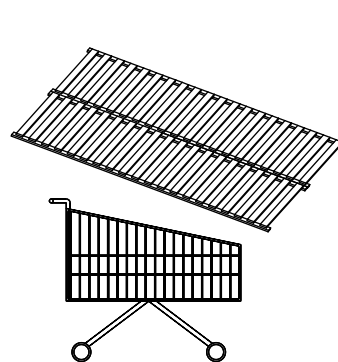
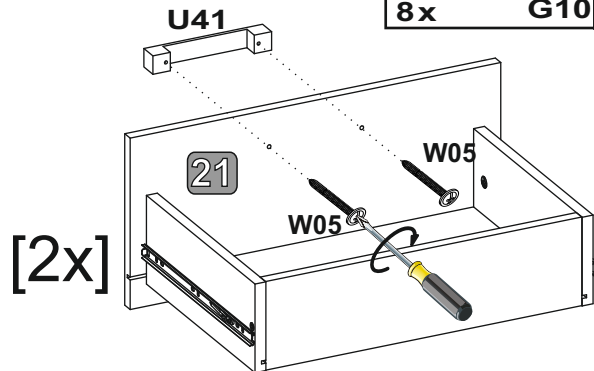
K01

W36  
W70

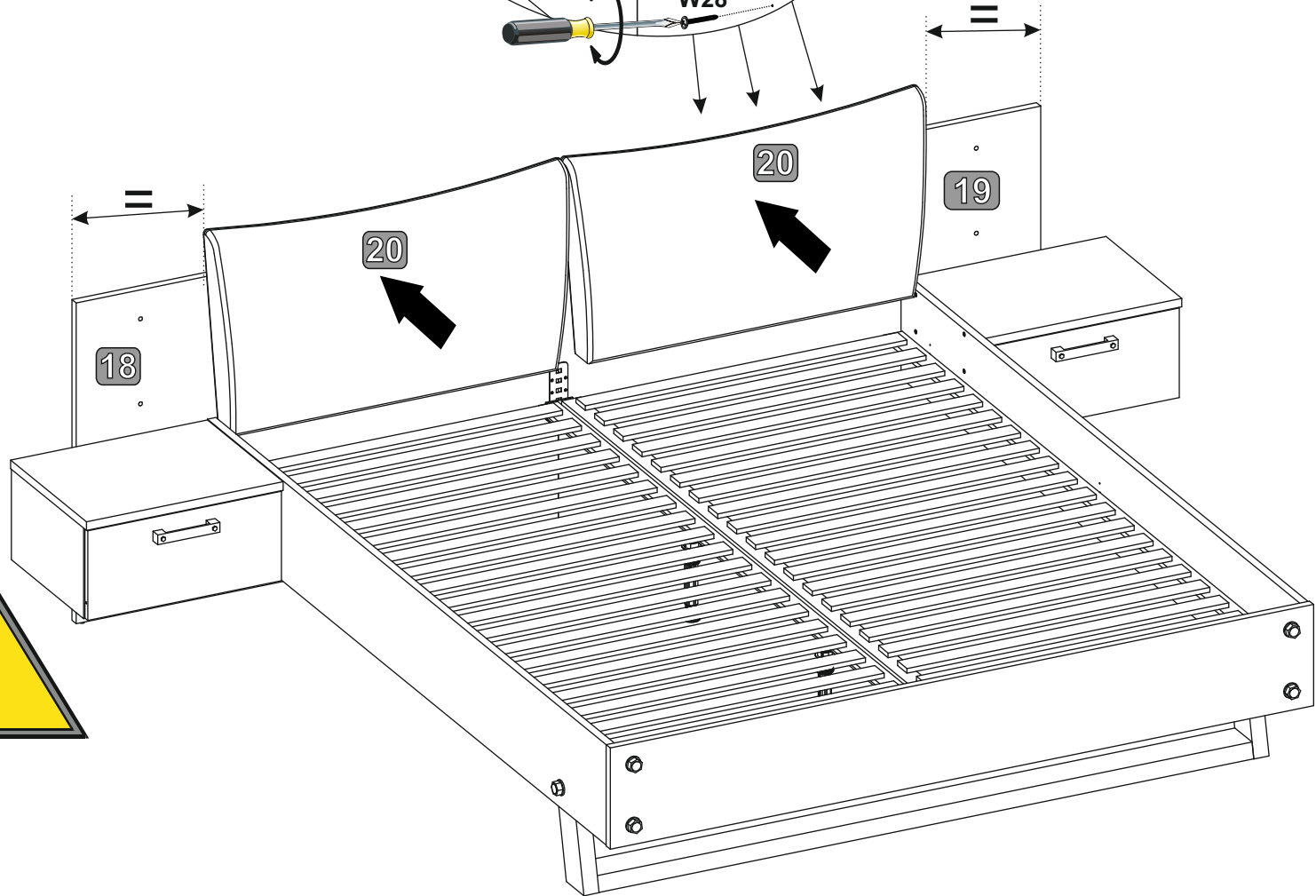
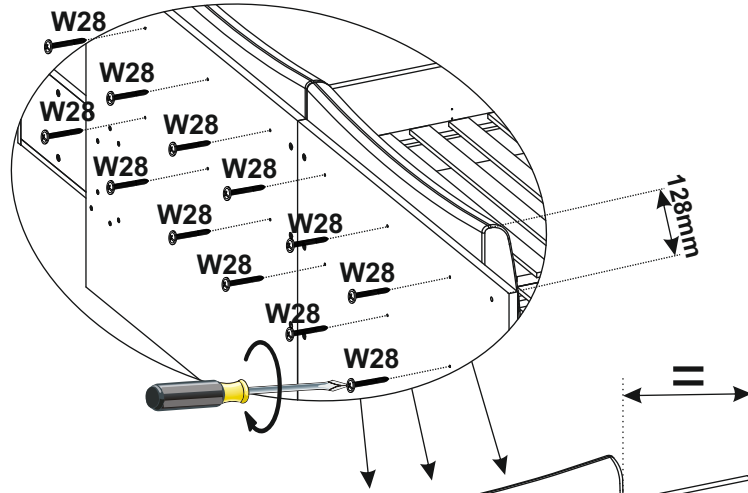
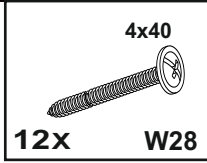


23

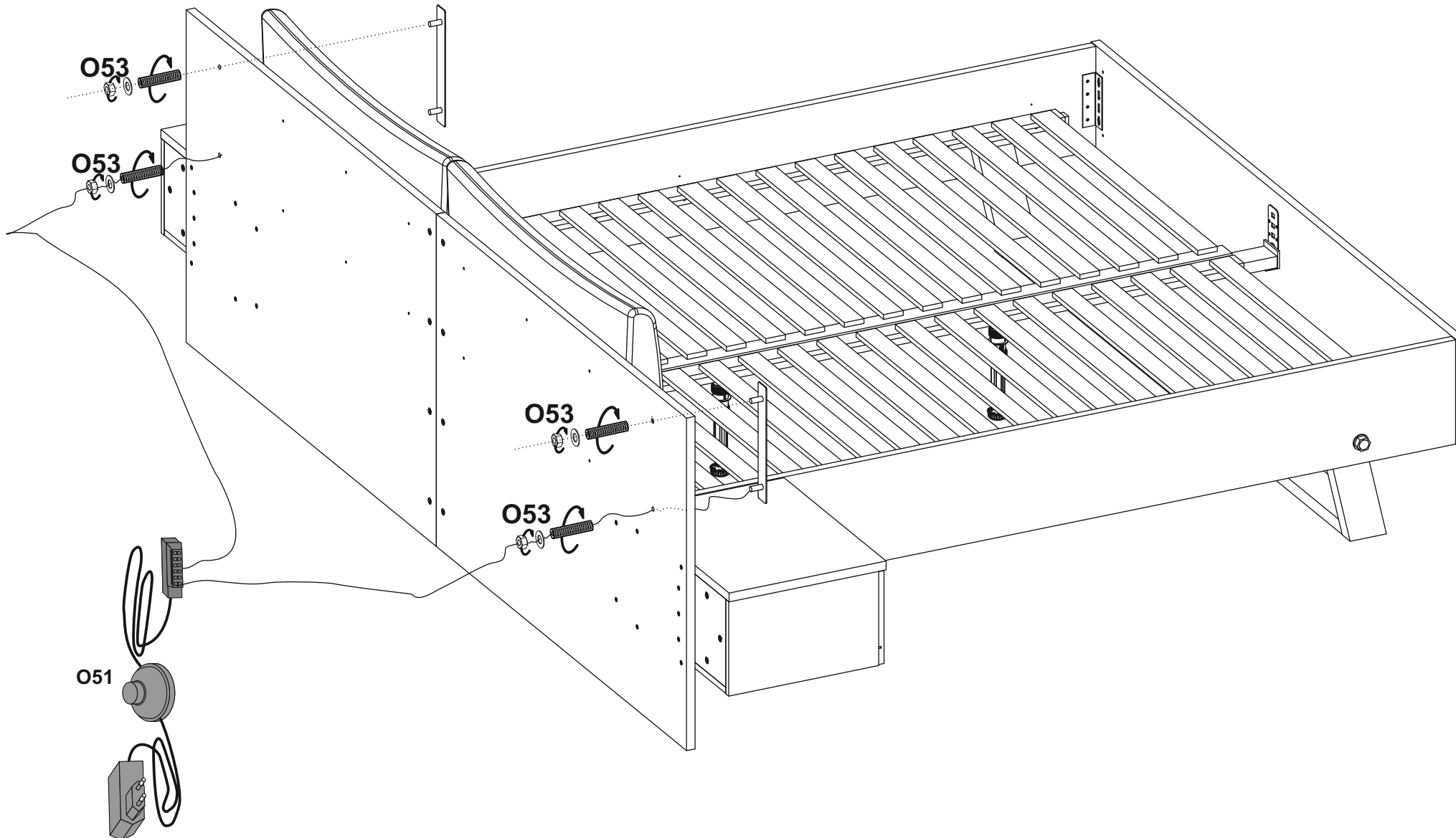
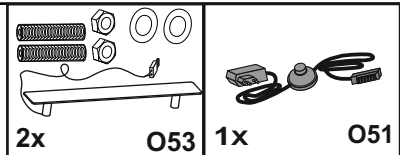
 8x G10	 4x35 W15	 4x25 W05	 2x U41
---	---	--	---



24



25



26

