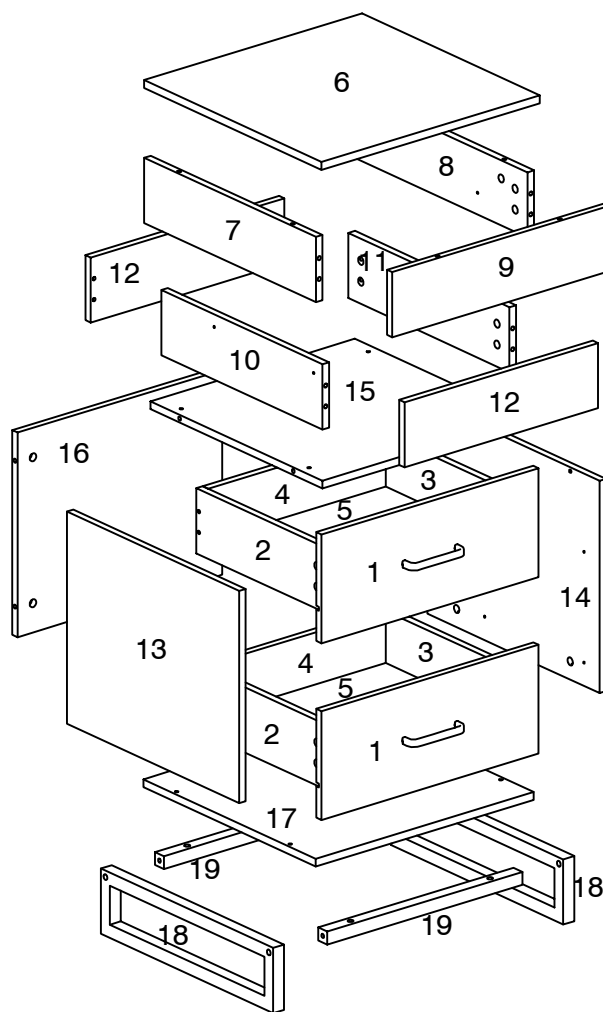
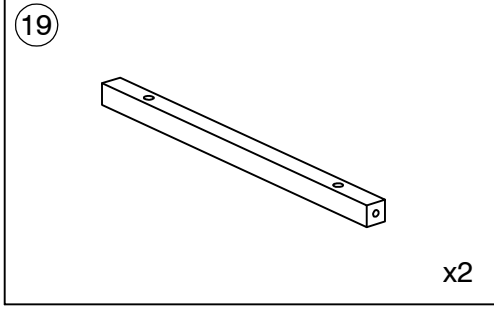
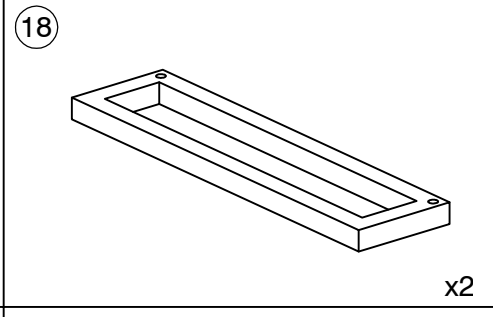
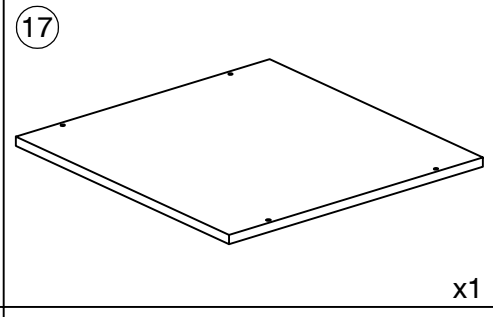
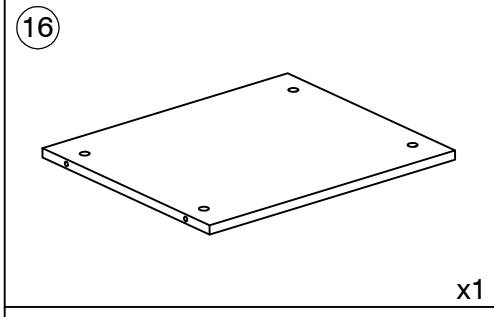
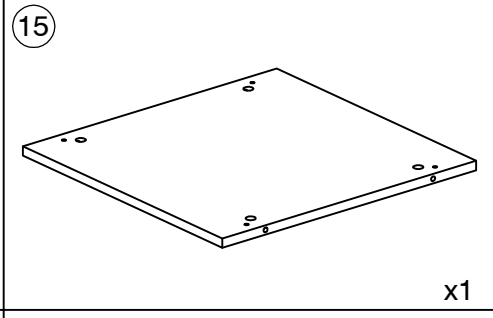
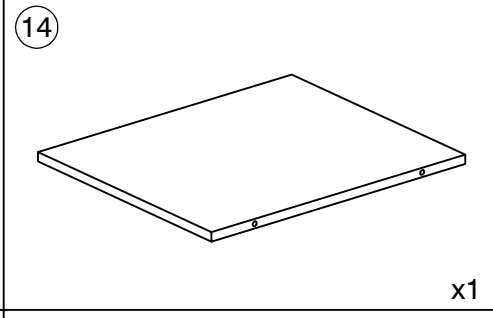
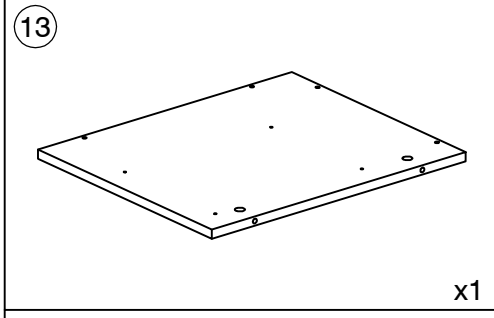
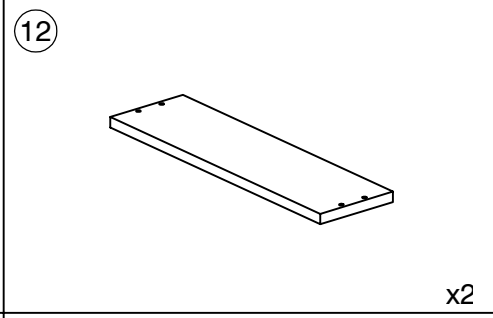
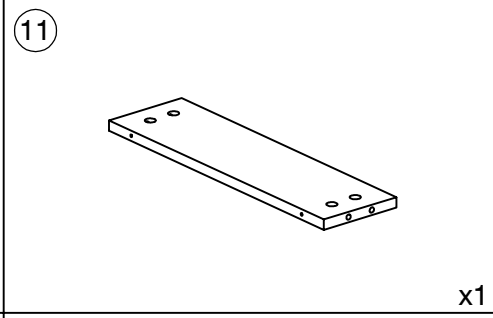
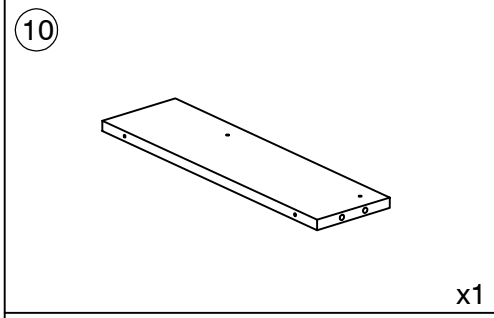
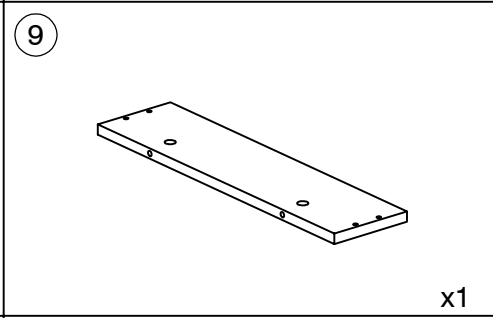
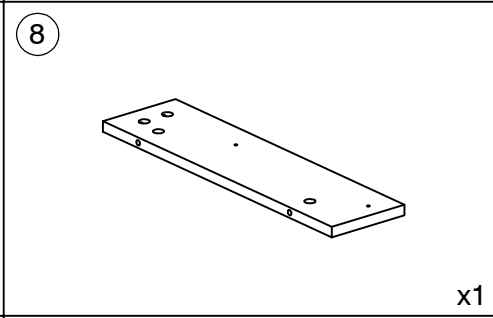
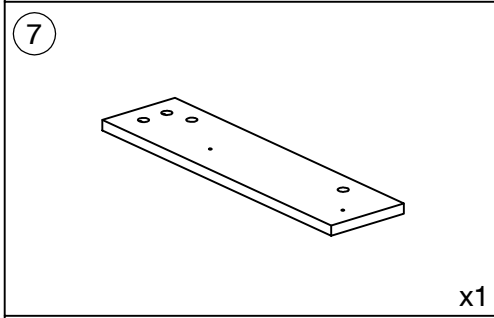
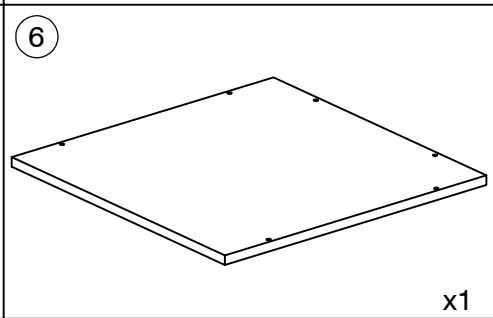
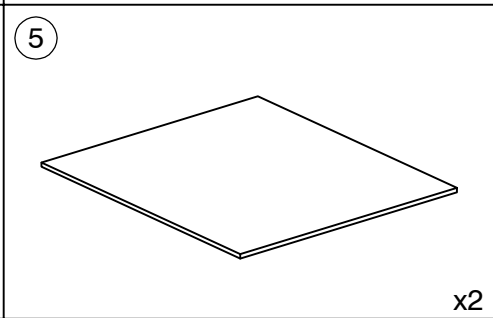
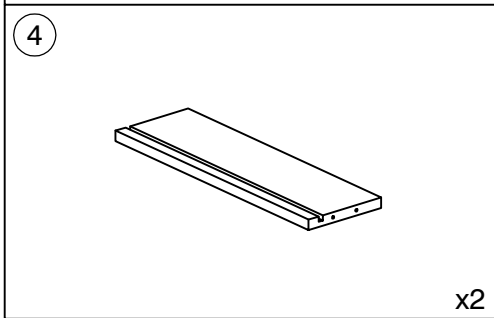
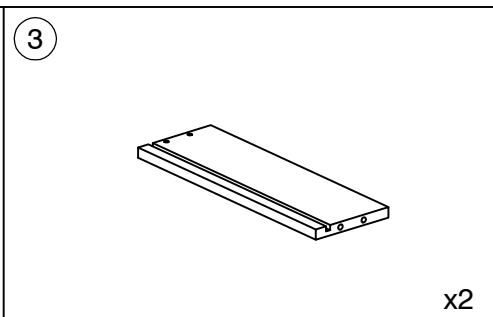
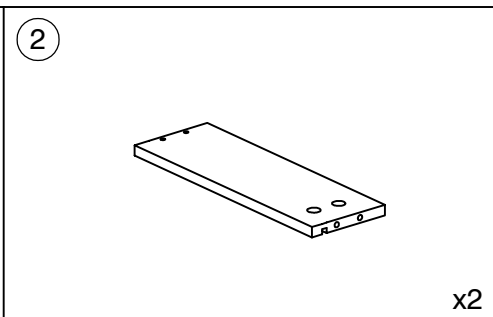
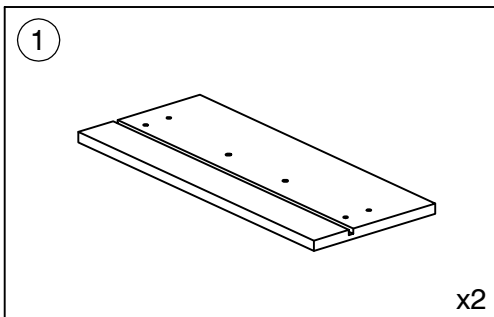


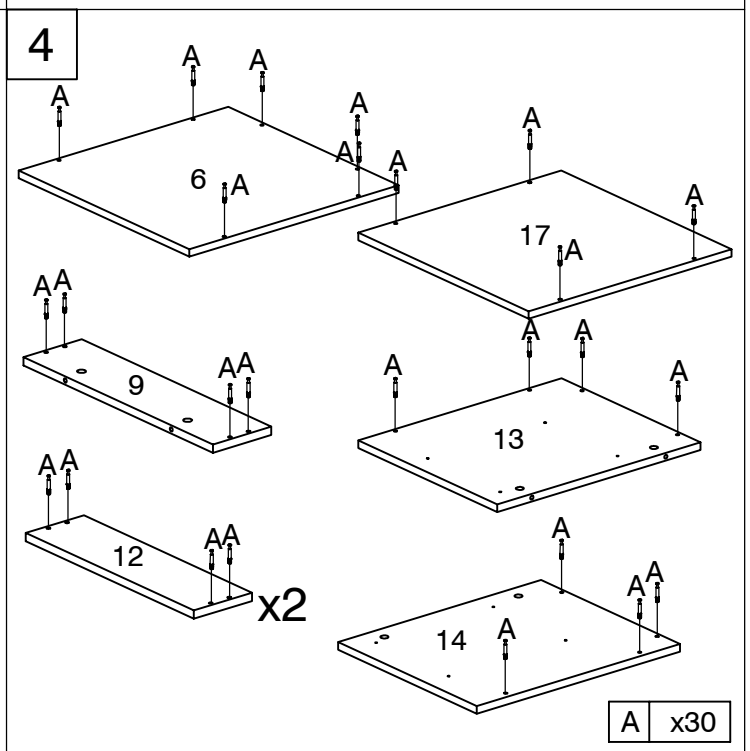
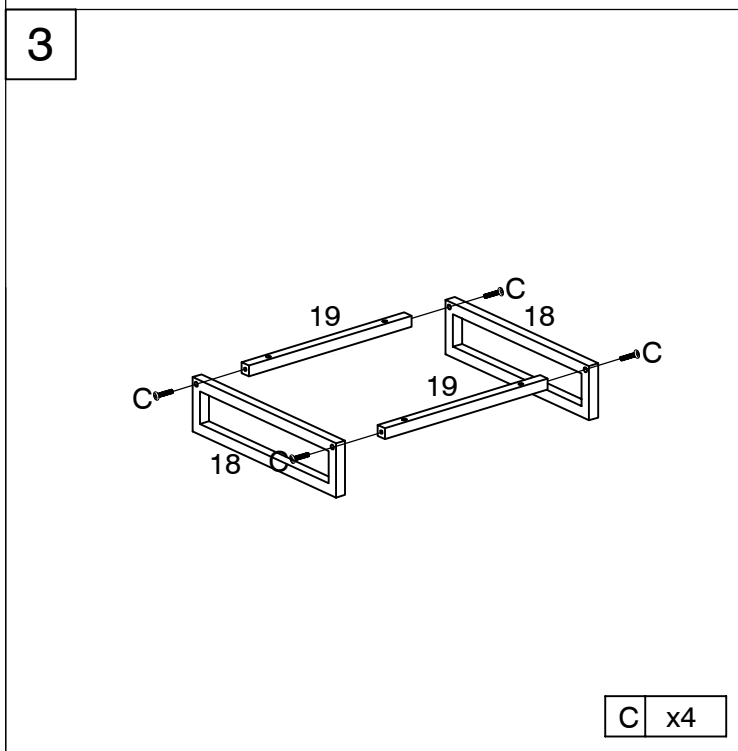
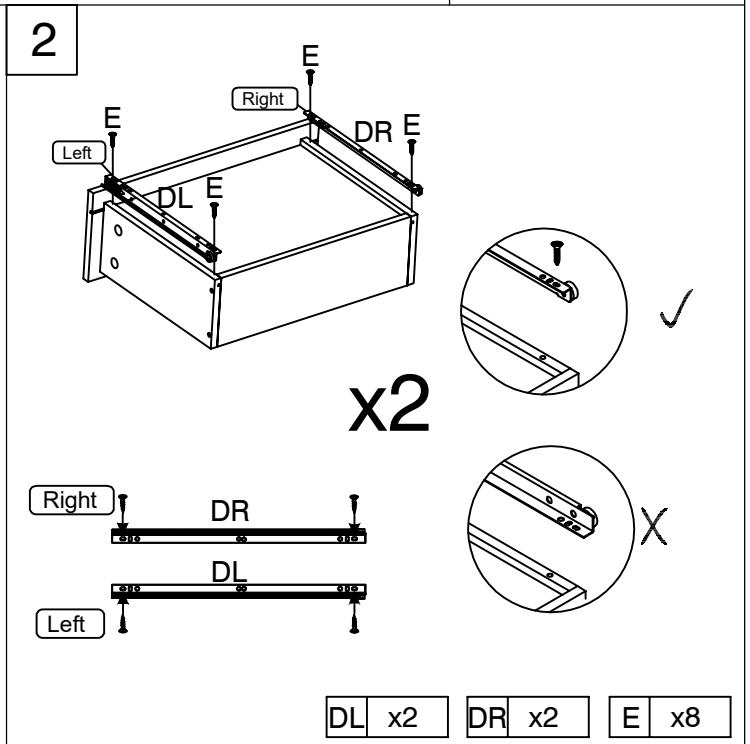
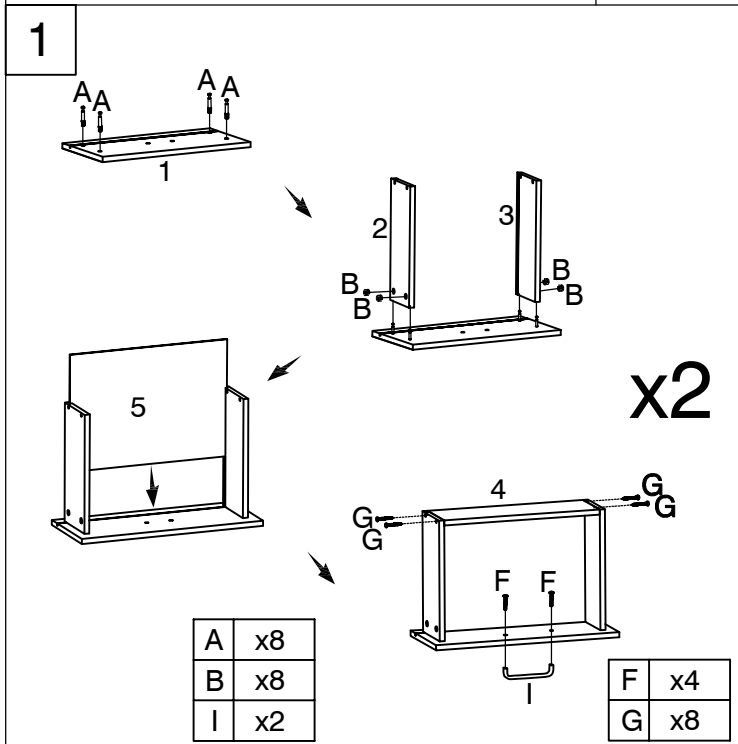
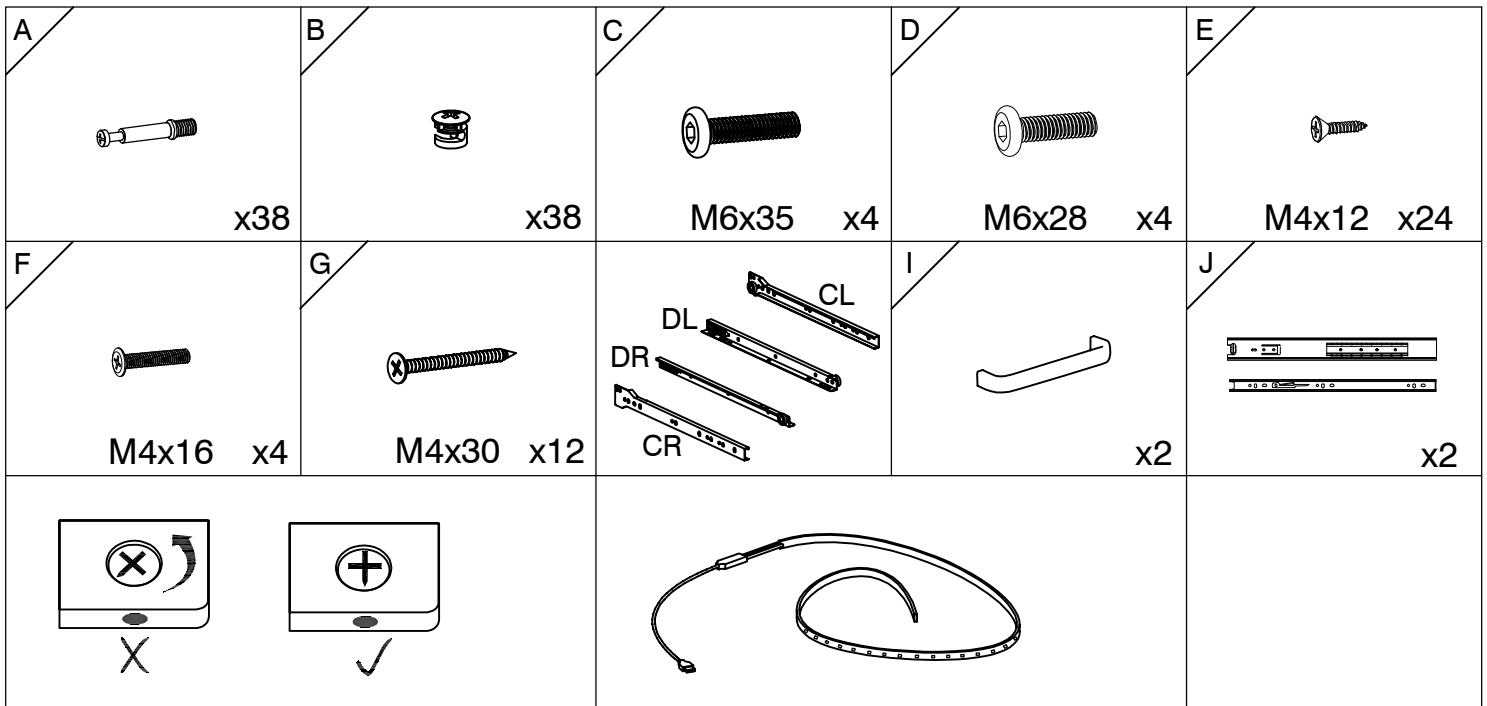
Assembling Instruction

Attention: Do not tighten the screws until all of them are in right positions

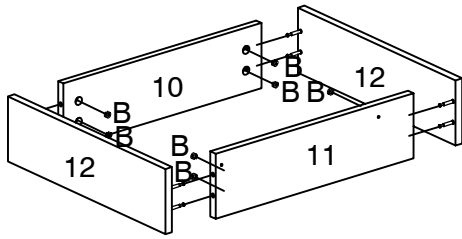
NOTE: Please contact us in time if you find any accessories missing or damaged in the package, we will send you the corresponding accessories for free.





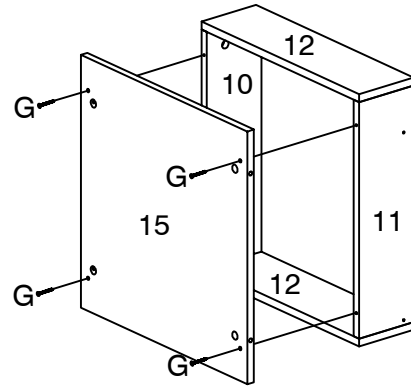


5



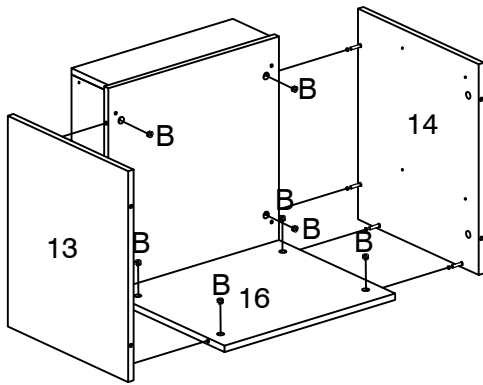
B x8

6



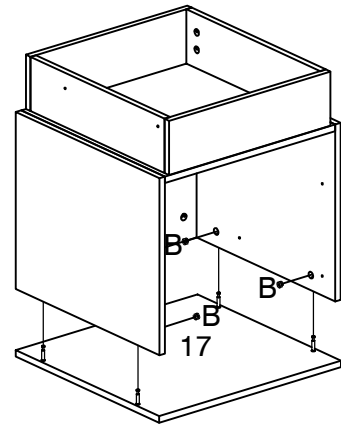
G x4

7



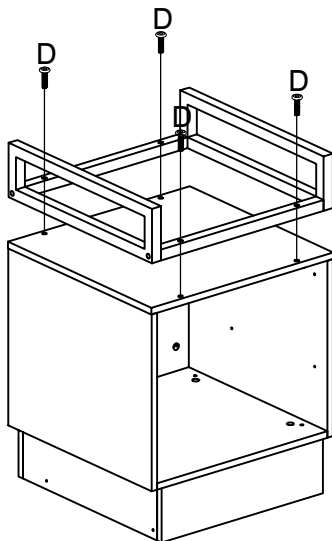
B x8

8



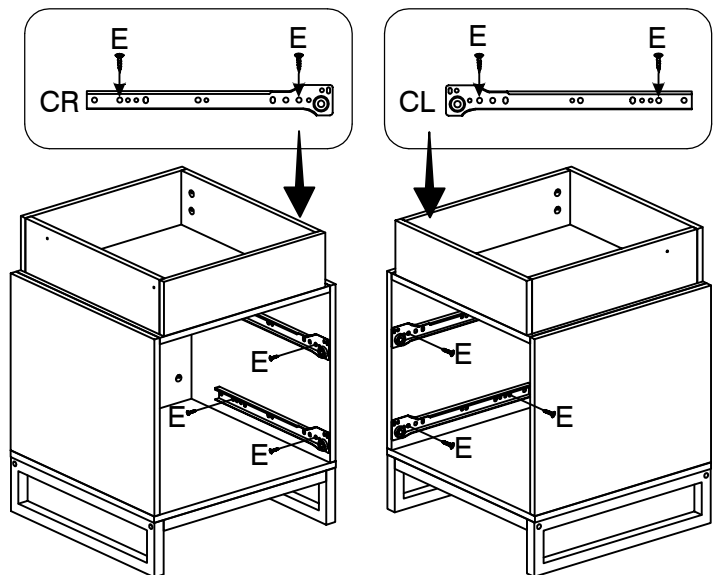
B x4

9



D x4

10

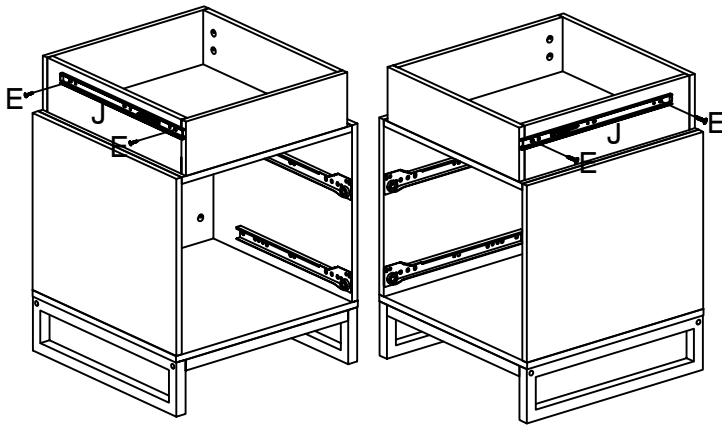
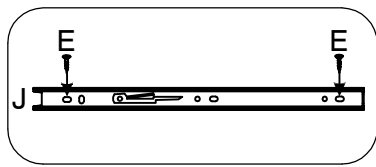


CL x2

CR x2

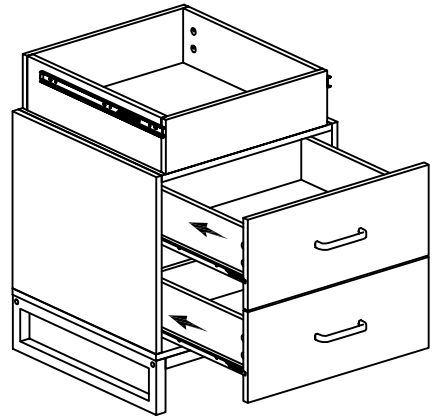
E x8

11

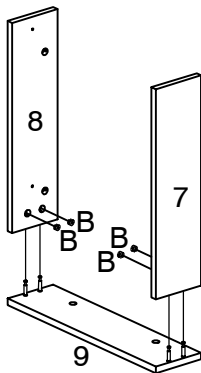


E x4 J x2

12

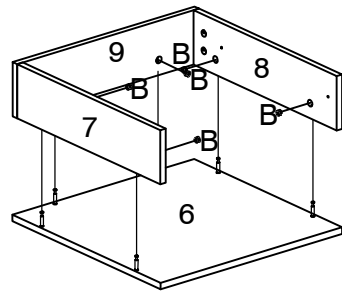


13



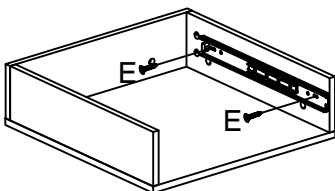
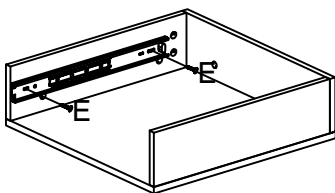
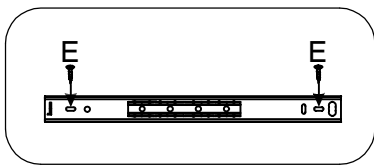
B x4

14



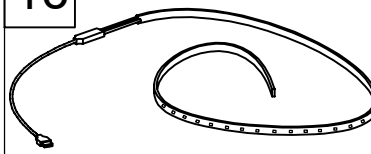
B x6

15

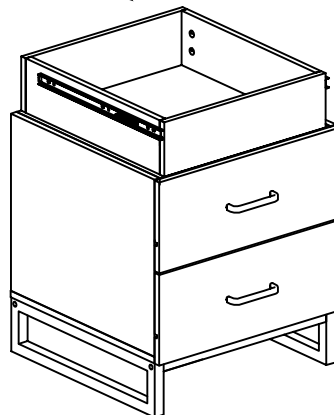


E x4

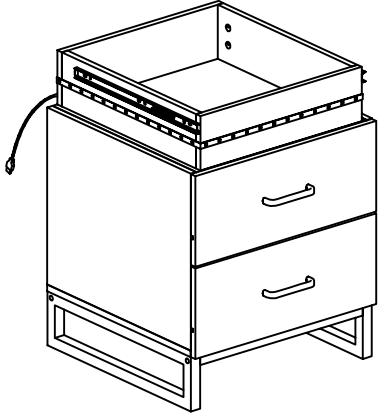
16



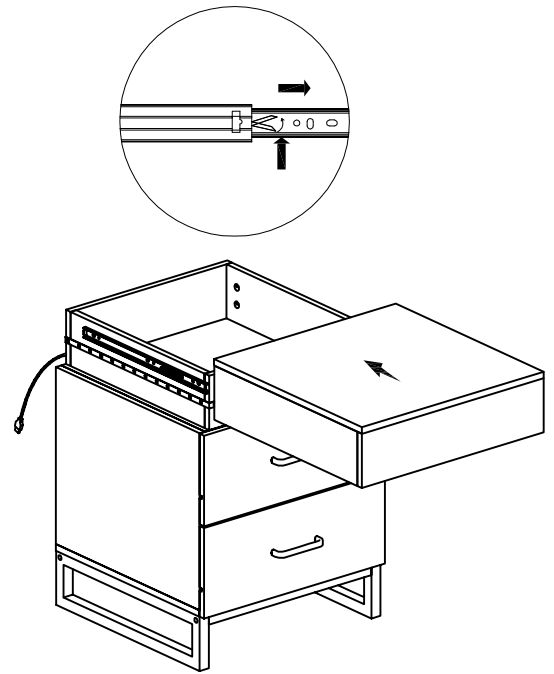
Tear off the film on the lamp belt and stick it to the middle of the board, as shown in step 17.



17



18



19

Finish!

